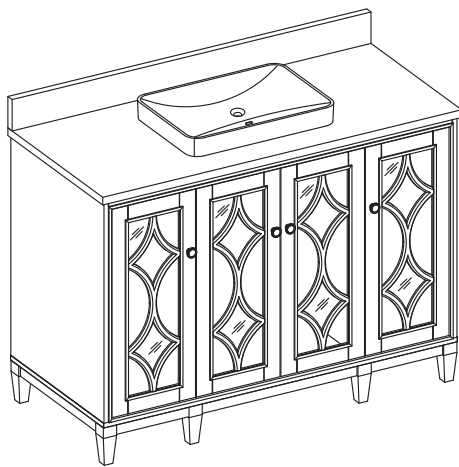


48-IN VANITY WITH TOP

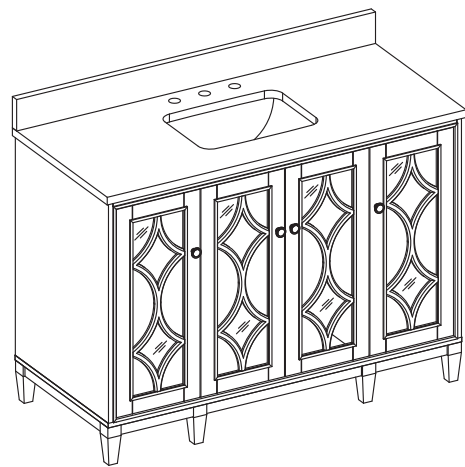
MODEL #

1591VA-48-241-900-SR; 1591VA-48-241-900-UM; 1591VA-48-241-907-SR;
 1591VA-48-241-907-UM; 1591VA-48-241-926-SR; 1591VA-48-241-926-UM;
 1591VA-48-247-900-SR; 1591VA-48-247-900-UM; 1591VA-48-247-907-SR;
 1591VA-48-247-907-UM; 1591VA-48-247-926-SR; 1591VA-48-247-926-UM

**OPTION 1
(Semi-Recessed Sink)**



**OPTION 2
(Undermount Sink)**



OR

MODEL NUMBER	DESCRIPTION
1591VA-48-241-900-SR	Kathy Ireland Collection 1591 48 in Vanity White Painted Oak Veneer/Semi-recessed Carrara Marble Top
1591VA-48-241-900-UM	Kathy Ireland Collection 1591 48 in Vanity White Painted Oak Veneer/Carrara Marble Top
1591VA-48-241-907-SR	Kathy Ireland Collection 1591 48 in Vanity White Painted Oak Veneer/Semi-recessed Pure White Top
1591VA-48-241-907-UM	Kathy Ireland Collection 1591 48 in Vanity White Painted Oak Veneer/Pure White Top
1591VA-48-241-926-SR	Kathy Ireland Collection 1591 48 in Vanity White Painted Oak Veneer/Semi-recessed Engineered Calacatta Top
1591VA-48-241-926-UM	Kathy Ireland Collection 1591 48 in Vanity White Painted Oak Veneer/Engineered Calacatta Top
1591VA-48-247-900-SR	Kathy Ireland Collection 1591 48 in Vanity Cashmere Oak Veneer/Semi-recessed Carrara Marble Top
1591VA-48-247-900-UM	Kathy Ireland Collection 1591 48 in Vanity Cashmere Oak Veneer/Carrara Marble Top
1591VA-48-247-907-SR	Kathy Ireland Collection 1591 48 in Vanity Cashmere Oak Veneer/Semi-recessed Pure White Top
1591VA-48-247-907-UM	Kathy Ireland Collection 1591 48 in Vanity Cashmere Oak Veneer/Pure White Top
1591VA-48-247-926-SR	Kathy Ireland Collection 1591 48 in Vanity Cashmere Oak Veneer/Semi-recessed Engineered Calacatta Top
1591VA-48-247-926-UM	Kathy Ireland Collection 1591 48 in Vanity Cashmere Oak Veneer/Engineered Calacatta Top

ATTACH YOUR RECEIPT HERE

Español p. 25

Serial Number _____ **Purchase Date** _____

Questions, problems, missing parts? Before returning to your retailer, call our customer service department at 1-855-571-1044, 9 a.m. - 5 p.m., EST, Monday - Friday.

TABLE OF CONTENTS FOR OPTION 1 (Semi-Recessed Sink)

Package Contents.....3

Hardware Contents.....3

Safety Instructions.....3

Preparation.....4

Assembly or Installation Instructions.....4

Change Door Panels (Optional).....10

Care and Maintenance.....11

Warranty.....11

Replacement Parts List.....12

TABLE OF CONTENTS FOR OPTION 2 (Undermount Sink)

Package Contents.....14

Hardware Contents.....14

Safety Instructions.....14

Preparation.....15

Assembly or Installation Instructions.....15

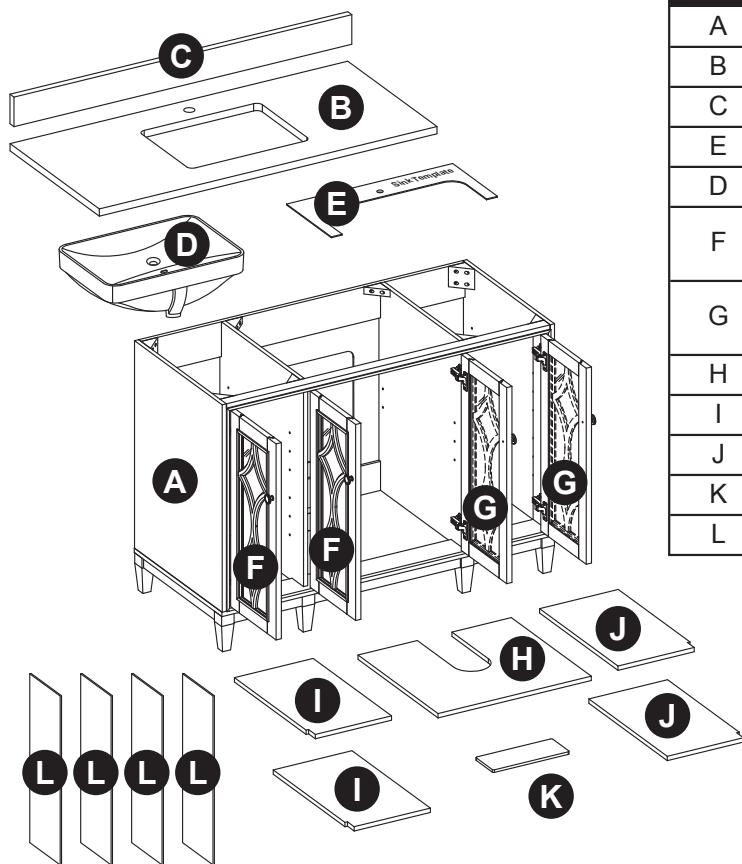
Change Door Panels (Optional).....21

Care and Maintenance.....22

Warranty.....22

Replacement Parts List.....23

PACKAGE CONTENTS (Semi-Recessed Sink)



PART	DESCRIPTION	QUANTITY	CARTON
A	Vanity	1	Box 2 of 3
B	Top	1	Box 1 of 3
C	Backsplash	1	
E	Sink Template	1	
D	Sink	1	Box 3 of 3
F	Left Door (preassembled to vanity (A))	2	Box 2 of 3
G	Right Door (preassembled to vanity (A))	2	
H	Center Shelf	1	
I	Left Shelf	2	
J	Right Shelf	2	
K	Floor Plumbing Cutout Lid	1	
L	Wood Door Panel	4	

HARDWARE CONTENTS (NOT SHOWN ACTUAL SIZE)

AA



Touch Up Pen
Qty. 1

BB



Knob (2 Options of 241)
Brushed Nickel (Qty. 4)
Champagne Brass (Qty. 4)

BB



Knob (2 Options of 247)
Brushed Nickel (Qty. 4)
Matte Black (Qty. 4)

SAFETY INSTRUCTIONS

Please read and understand this entire manual before attempting to assemble, operate or install the product.

WARNING

- There are several assembly steps, including unpacking, that require two adults.

CAUTION

- Follow these instructions closely, take your time, and use care while assembling this vanity.

KEEP THESE INSTRUCTIONS FOR FUTURE REFERENCE.

PREPARATION

Before beginning assembly of product, make sure all parts are present. Compare parts with package contents list and hardware contents list. If any part is missing or damaged, do not attempt to assemble the product.

Estimated Installation Time: 45 minutes (24 hours for silicone caulk to dry).

Tools Required for Installation (not included): Phillips screwdriver, utility knife or scissors, silicone caulk, power drill with drill bit, measuring tape, level

INSTALLATION INSTRUCTIONS (Semi-Recessed Sink)

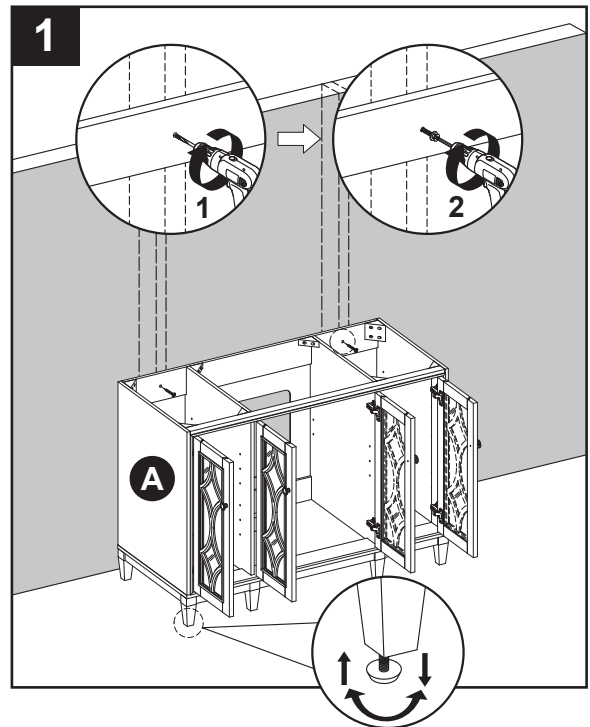
Note: Clean area where the vanity (A) will be permanently located prior to beginning installation, ensuring the vanity (A) will not interfere with any water supply and drain lines once mounted.

1. With two people, carefully place vanity (A) against the wall in its final location. While holding the vanity base firmly against the wall, use the pre-assembled levelers on the bottom of each leg of the vanity (A) to level the item. Twisting the levelers counterclockwise will raise the height of the vanity (A), and twisting them clockwise will lower the vanity.

Once the vanity is in place, against the wall, and level from front to back and side to side, drill a hole through the vanity mounting area and into the wall studs (as illustrated in diagram 1). Using appropriate mounting hardware (not included), secure the vanity (A) to a wall stud. If possible, secure the vanity (A) to two wall studs for increased stability.

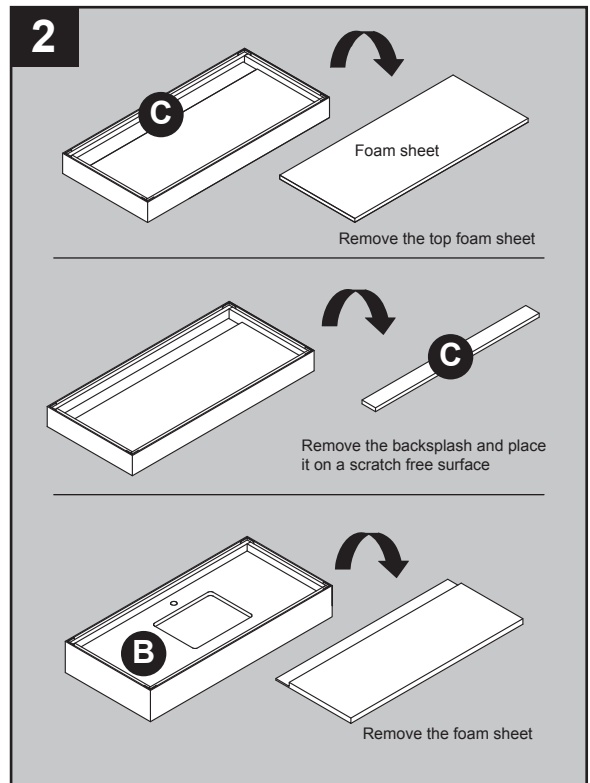
WARNING

Vanity (A) **MUST** be secured to wall.



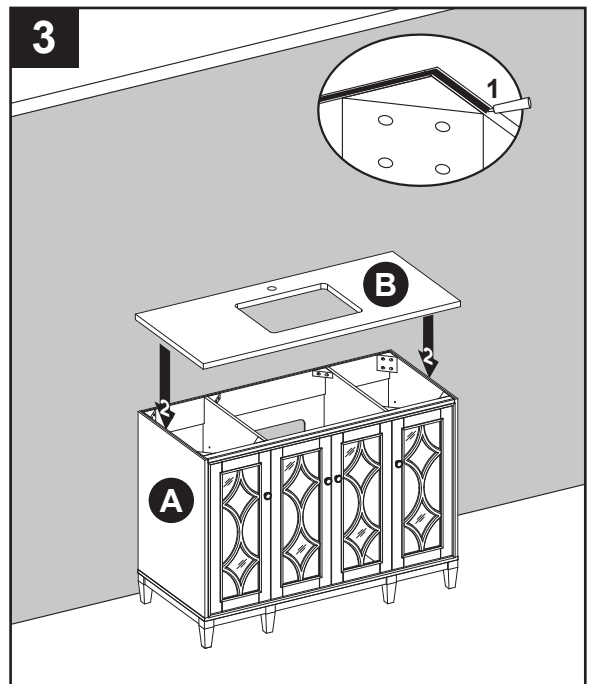
INSTALLATION INSTRUCTIONS (Semi-Recessed Sink)

2. Take out the top (B) and backsplash (C) according to the steps indicated by the drawings on the right, and place them face up onto a scratch free surface such as a foam sheet that came in the packaging.



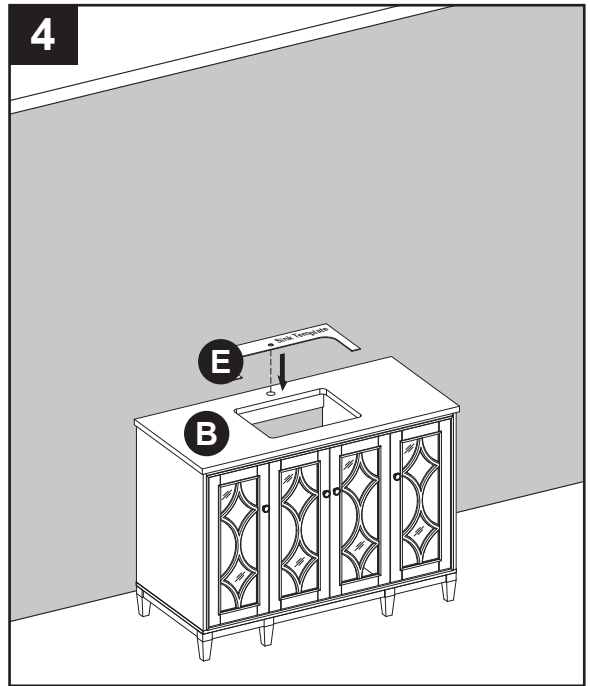
Note: At this stage it may be easier to install the faucet and drain kit (not included) to top (B) per the manufacturer's instructions, before moving on to Step 3.

3. Apply stain free silicone caulk (not included) to the top edge of vanity (A). With the help of another adult, gently lower top (B) onto the vanity (A). Wipe away any excess caulk with a soft cloth, and wait approximately 24 hours for it to dry.

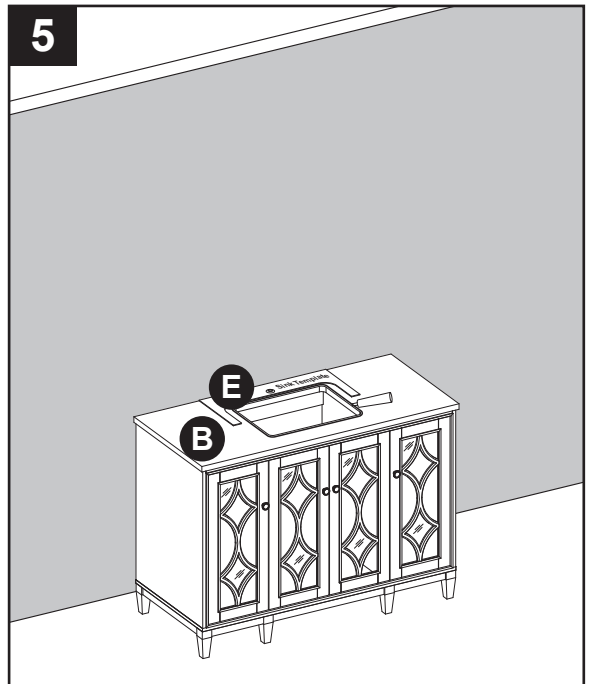


INSTALLATION INSTRUCTIONS (Semi-Recessed Sink)

- Put the sink template (E) on the top (B).
The hole in the cardboard needs to be aligned with the hole in the stone top.
Make sure the sink template and stone top are flush along the back edge.



- Apply a thin bead of silicone caulk (not included) onto the stone top close to the edge of the sink cut out as pictured.

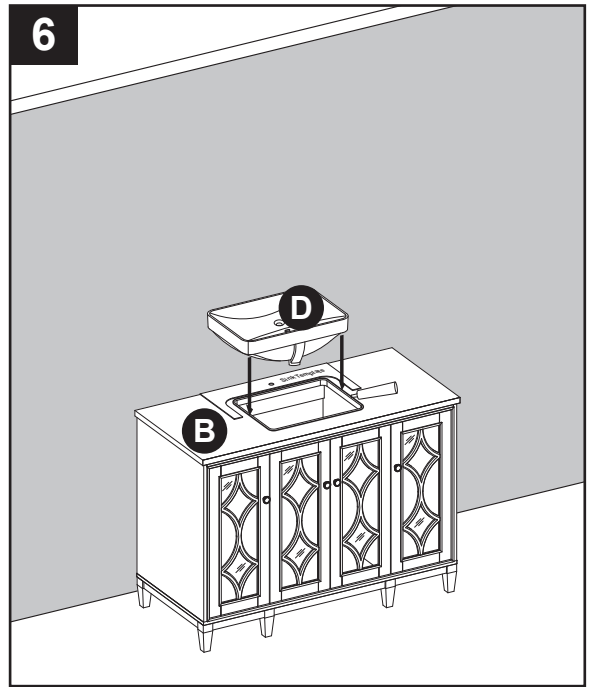


INSTALLATION INSTRUCTIONS (Semi-Recessed Sink)

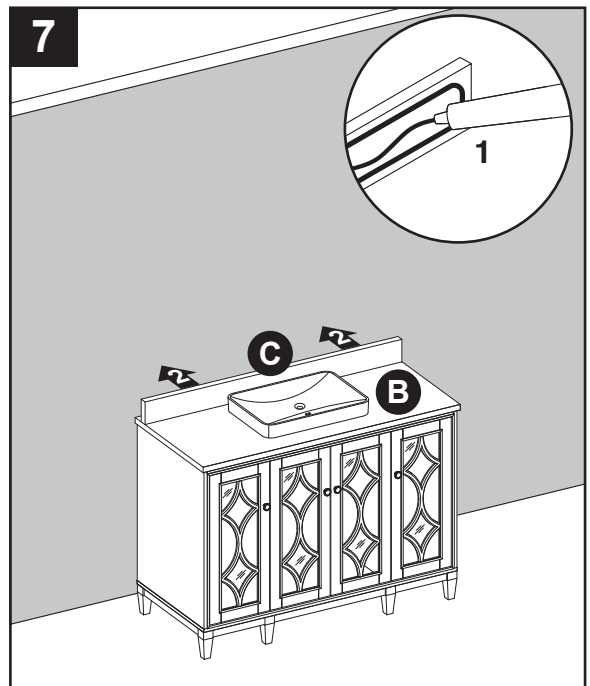
6. With the help of another adult, Gently lower the sink onto the stone top using even pressure to set the sink properly.

Make sure the sink over-flow hole is at the front of wood cabinet.

If some silicone caulk has over-flowed please clean it up at that time with water.



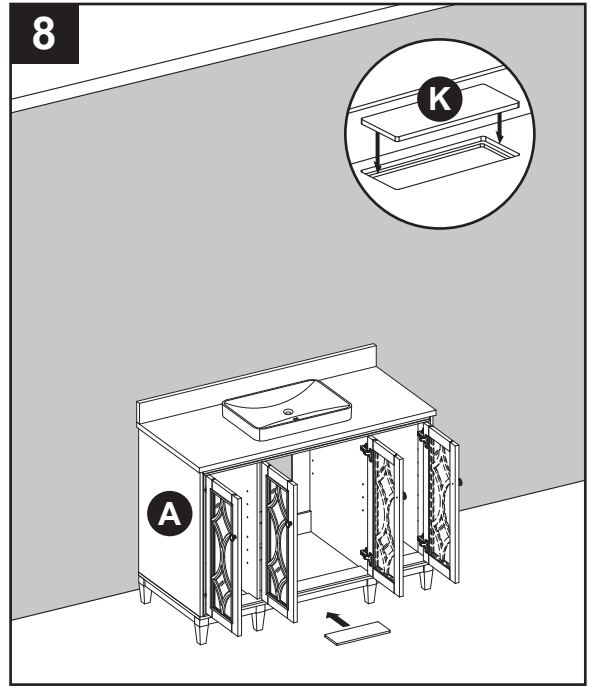
7. Apply silicone caulk (not included) to unpolished side and bottom of backsplash (C). Position backsplash (C) on top (B) and against wall. Clean any excess caulk before allowing to dry.



INSTALLATION INSTRUCTIONS (Semi-Recessed Sink)

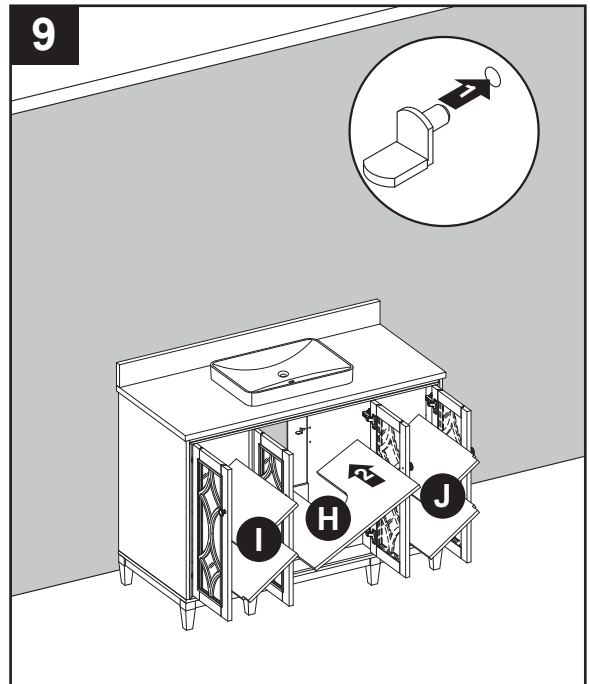
8. The back of the vanity is open for accessibility for drain(s) and water line(s) hookup. If your plumbing comes out of the back wall, insert the floor plumbing cutout lid (K), as shown in Illustration 8. This will close the hole and increase your storage space.

If your plumbing comes out of the floor, this hole provides accessibility for drain and water line hookup.



9. From the front of the assembly, insert shelf pins at desired height, ensuring they are level. Place center shelf (H) on top of shelf pins.

Repeat for the remaining left shelf (I) and right shelf (J).



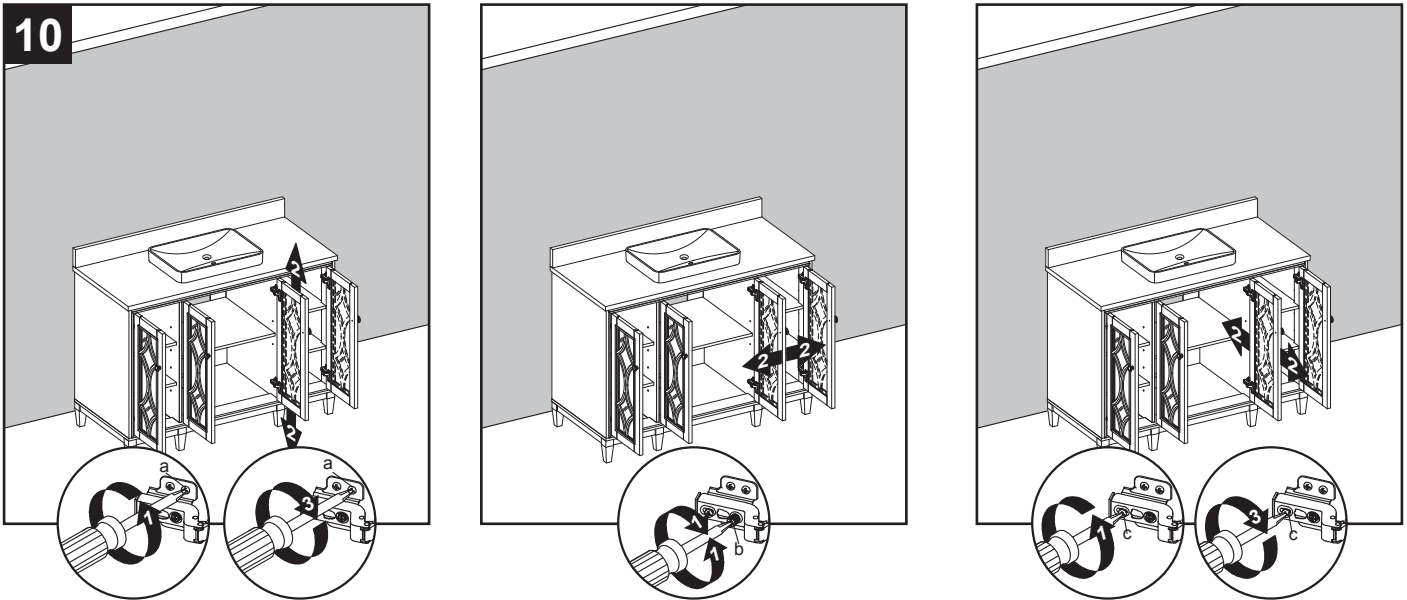
INSTALLATION INSTRUCTIONS (Semi-Recessed Sink)

10. If you need to adjust the doors, do so in the following manner.

To adjust door up or down, loosen screws (a) on both hinges, adjust door, and retighten screws.

To adjust door left or right, turn screws (b) on both hinges, in and out.

To adjust door in or out, loosen screws (c) on both hinges, adjust door, and retighten screws.



Note: This vanity base comes with two different knobs options.

11. One set of knobs (BB) are packaged separately in the box. If you would like to switch knobs, simply remove the existing knobs and attach the other finish, as illustrated in the diagram.

Assembly is now complete. Install desired faucet and drain assemblies (neither included) per the manufacturers' instructions to complete the installation.

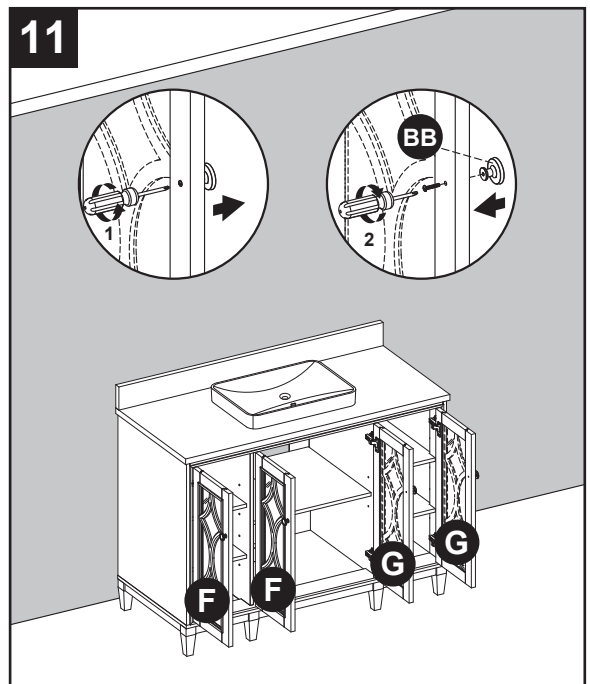
Hardware Used

BB

Knob



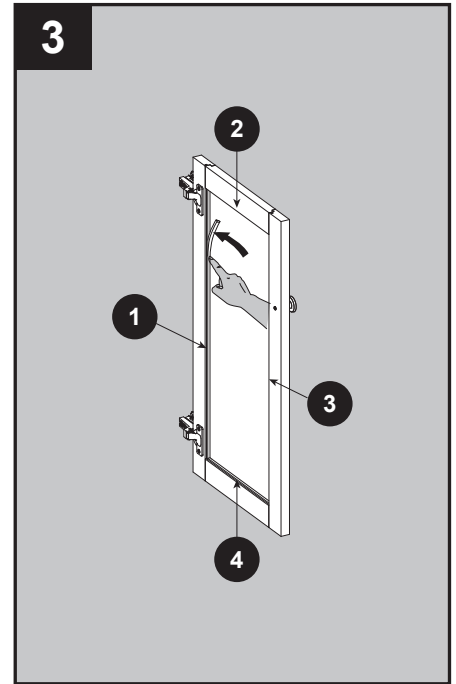
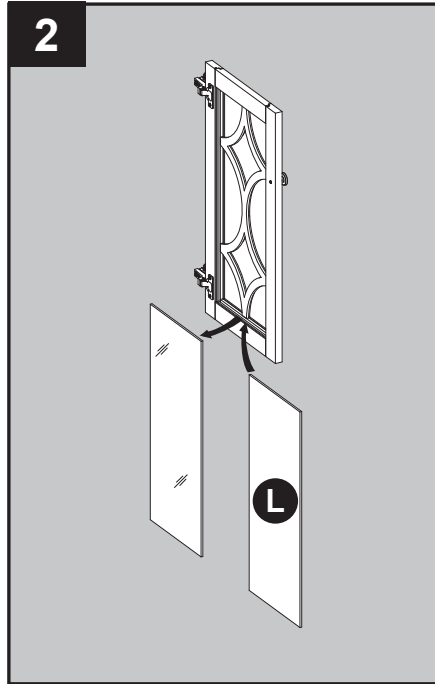
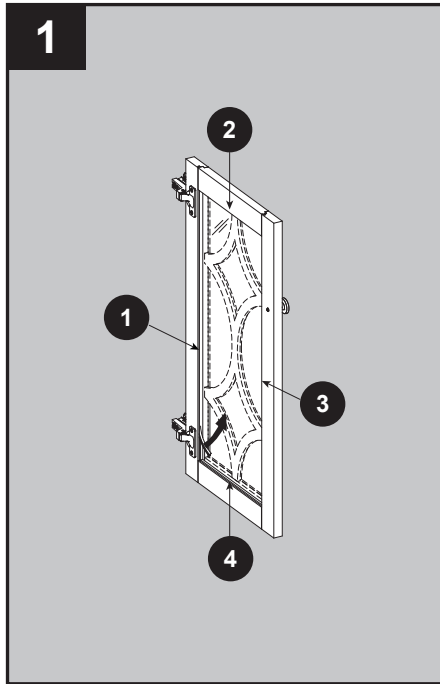
x 4



CHANGE DOOR PANELS (OPTIONAL) (SEMI-RECESSED SINK)

The pre-installed glass door panels can be switched out with the included wood door panels (L).

1. Remove the silicone trim along the outer edges of the glass panel on the inside of the door. Start at a corner and pull to remove the four pieces. Be careful not to damage the silicone trim as it will be used to secure the new panel.
2. Remove the glass panel from the door frame, then insert the included wood door panel (L).
3. Using your finger press the silicone trim back into place. Move around the outer edge of the panels until all four sides are secure.



CARE AND MAINTENANCE

- Dust the vanity regularly with a soft, non-lint producing cloth or household dusting product.
- You can clean the vanity with a gentle, non-abrasive household cleaner.
- Make sure to dry the wood immediately with a soft cloth or towel.
- The stone top can be cleaned using standard marble cleaning agents available at your local supplier.
- Tips for using touch-up pen (AA): For scratches, stroke in direction of scratch; for worn areas, stroke in direction of wood grain. Rub off excess colorant promptly with a soft cloth.

IMPORTANT

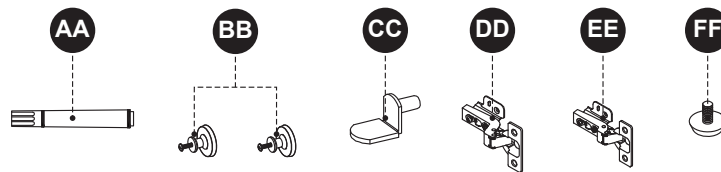
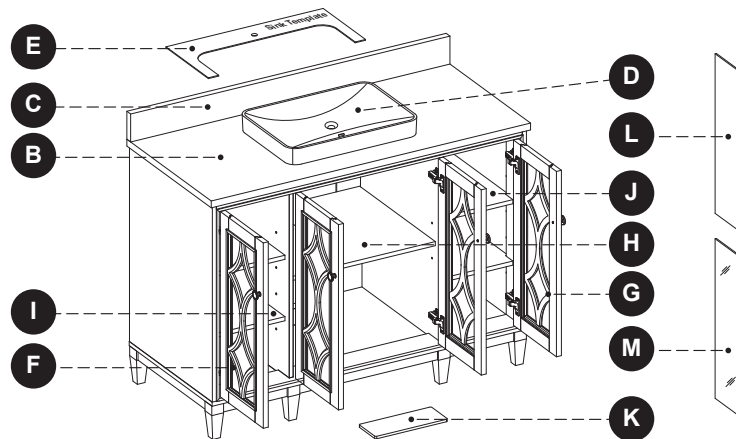
- Shade variations and patterns are an inherent characteristic of stone (e.g. granite, marble, engineered stone). Stone tops will vary from product to product. Use caution placing items such as soap or any fragranced material on the stone surface. Use a soap dish, coaster or similar item to protect the surface if placing any soap or fragranced products on the stone.
- If soap or fragranced products come in contact with the stone top, rinse the surface with water and dry using a soft non-abrasive cloth.
- **WARNING:** Must use cleaning agents safe for stone. Check your cleaning agents use restrictions before using on any stone. Damage to the stone may result. Vanity Manufacturer not responsible for damage caused by improper cleaning agents or soaps used. Warranty will not cover damage caused by the use of improper soaps or cleaning agents.
- **DO NOT** use products to clean the stone top that contain acetone, lemon, vinegar or other acids as these may cause damage to the stone surface.
- Periodically reseal the stone top using an appropriate stone sealer available from your local home store. Follow the manufacturer's directions on how to apply.

WARRANTY

The manufacturer warrants this item against defects in materials and workmanship for a period of one (1) year from the date of original retail purchase. This warranty applies only to the original purchaser. This warranty does not apply to any damage on the product by accident, misuse, or modified, improper installation or by affixing accessories not produced by the manufacturer. The manufacturer will not be held liable for damages caused from cleaners or soaps that etch or stain the stone top. The manufacturer is not accountable whatsoever for product installation during the warranty period. There is no further expressed warranty. The manufacturer shall not be legally responsible for incidental, consequential or special damages arising at or in connection with product use or performance except as may otherwise be accorded by law. The manufacturer disclaims any and all implied warranties.

REPLACEMENT PARTS LIST FOR 1591VA-48-241-SR (Semi-Recessed Sink)

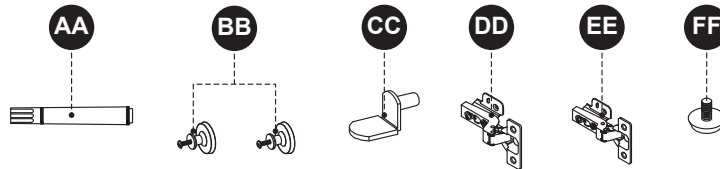
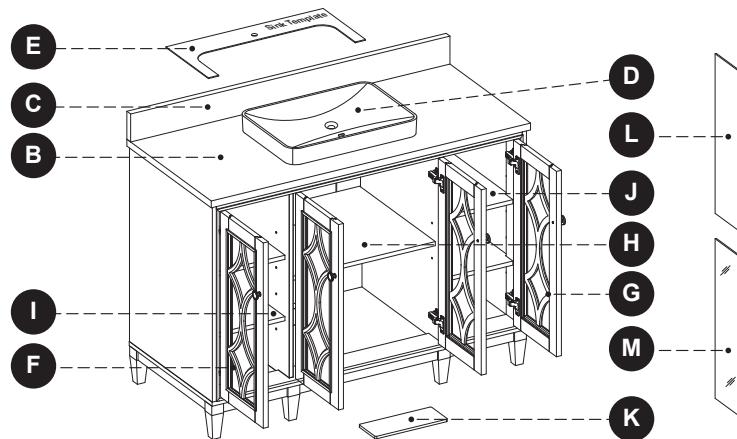
For replacement parts, call our customer service department at 1-855-571-1044, 9 a.m. - 5 p.m., EST, Monday - Friday.



PART	DESCRIPTION	PART#
B	Complete Set 48" Carrara Marble Top	3500VT-48-900
	Complete Set 48" Pure White Top	3500VT-48-907
	Complete Set 48" Engineered Calacatta Top	3500VT-48-926
C	48" Carrara Marble Backsplash	PUBS-25-900-48
	48" Pure White Backsplash	PUBS-25-907-48
	48" Engineered Calacatta Backsplash	PUBS-25-926-48
D	Sink	SN047B
E	Sink Template	SN047B-TEMPLATE
F	Left Door	1591VA-48-241-DOOR SET
G	Right Door	
H	Center Shelf	1591VA-48-241-CENTER SHELF
I	Left Shelf	1591VA-48-241-LEFT SHELF
J	Right Shelf	1591VA-48-241-RIGHT SHELF
K	Floor Plumbing Cutout Lid	241 FP LID
L	Wood Door Panel	PU21-1591VA-48-241-DOOR CENTER PANELS
M	Glass Door Panel	
AA	Touch-up pen	OF-0010
BB	Knob-brushed nickel	1591-BN KNOB
	Knob-champagne brass	1591-CB KNOB
CC	Shelf Pin	B1044
DD	Large Bend Hinge	C-90-107
EE	Middle Bend Hinge	C-90-109
FF	Leveler	T-1007

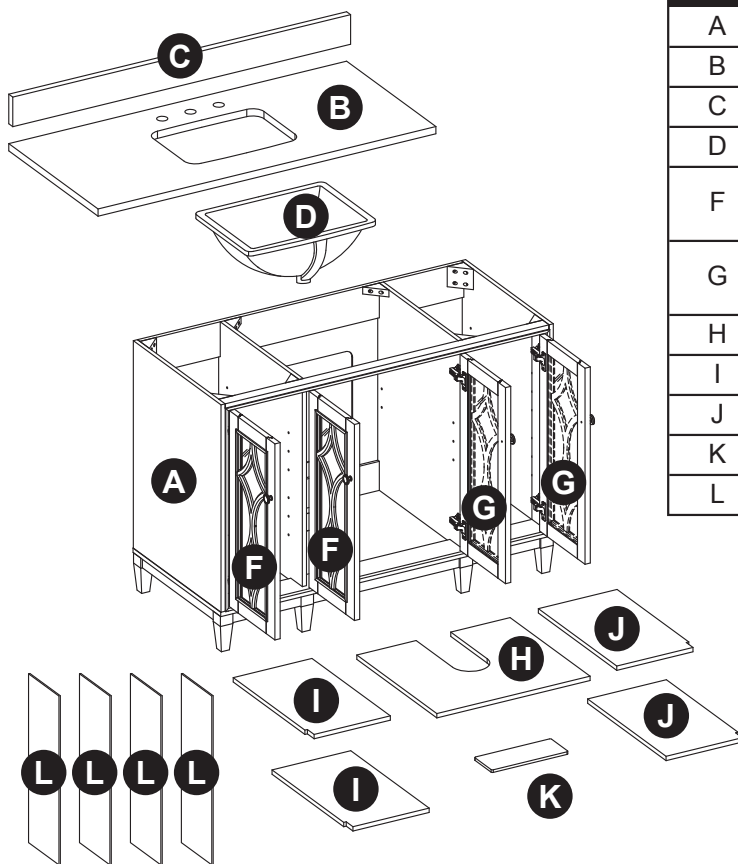
REPLACEMENT PARTS LIST FOR 1591VA-48-247-SR (Semi-Recessed Sink)

For replacement parts, call our customer service department at 1-855-571-1044, 9 a.m. - 5 p.m., EST, Monday - Friday.



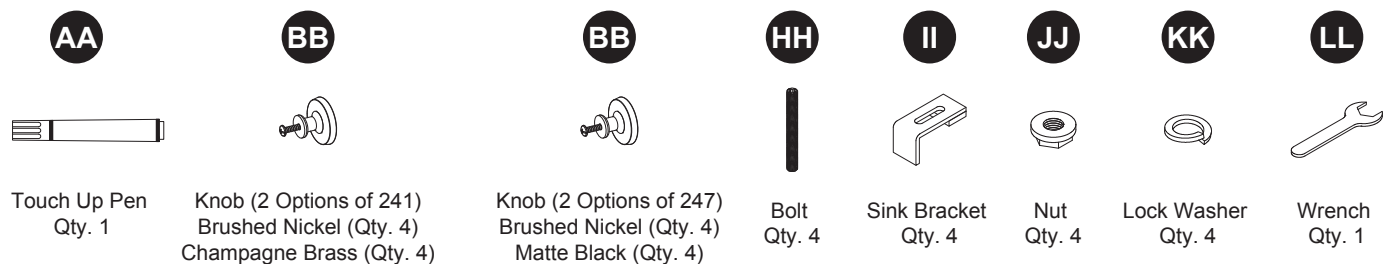
PART	DESCRIPTION	PART#
B	Complete Set 48" Carrara Marble Top	3500VT-48-900
	Complete Set 48" Pure White Top	3500VT-48-907
	Complete Set 48" Engineered Calacatta Top	3500VT-48-926
C	48" Carrara Marble Backsplash	PUBS-25-900-48
	48" Pure White Backsplash	PUBS-25-907-48
	48" Engineered Calacatta Backsplash	PUBS-25-926-48
D	Sink	SN047B
E	Sink Template	SN047B-TEMPLATE
F	Left Door	1591VA-48-247-DOOR SET
G	Right Door	
H	Center Shelf	1591VA-48-247-CENTER SHELF
I	Left Shelf	1591VA-48-247-LEFT SHELF
J	Right Shelf	1591VA-48-247-RIGHT SHELF
K	Floor Plumbing Cutout Lid	247 FP LID
L	Wood Door Panel	PU21-1591VA-48-247-DOOR CENTER PANELS
M	Glass Door Panel	
AA	Touch-up pen	OX-0950
BB	Knob-brushed nickel	1591-BN KNOB
	Knob-matte black	1591-MB KNOB
CC	Shelf Pin	B1044
DD	Large Bend Hinge	C-90-107
EE	Middle Bend Hinge	C-90-109
FF	Leveler	T-1007

PACKAGE CONTENTS (Undermount Sink)



PART	DESCRIPTION	QUANTITY	CARTON
A	Vanity	1	Box 2 of 3
B	Top	1	Box 1 of 3
C	Backsplash	1	
D	Sink	1	Box 3 of 3
F	Left Door (preassembled to vanity (A))	2	
G	Right Door (preassembled to vanity (A))	2	
H	Center Shelf	1	Box 2 of 3
I	Left Shelf	2	
J	Right Shelf	2	
K	Floor Plumbing Cutout Lid	1	
L	Wood Door Panel	4	

HARDWARE CONTENTS (NOT SHOWN ACTUAL SIZE)



SAFETY INSTRUCTIONS

Please read and understand this entire manual before attempting to assemble, operate or install the product.

WARNING

- There are several assembly steps, including unpacking, that require two adults.

CAUTION

- Follow these instructions closely, take your time, and use care while assembling this vanity.

KEEP THESE INSTRUCTIONS FOR FUTURE REFERENCE.

PREPARATION

Before beginning assembly of product, make sure all parts are present. Compare parts with package contents list and hardware contents list. If any part is missing or damaged, do not attempt to assemble the product.

Estimated Installation Time: 45 minutes (24 hours for silicone caulk to dry).

Tools Required for Installation (not included): Phillips screwdriver, utility knife or scissors, silicone caulk, power drill with drill bit, measuring tape, level

INSTALLATION INSTRUCTIONS (Undermount Sink)

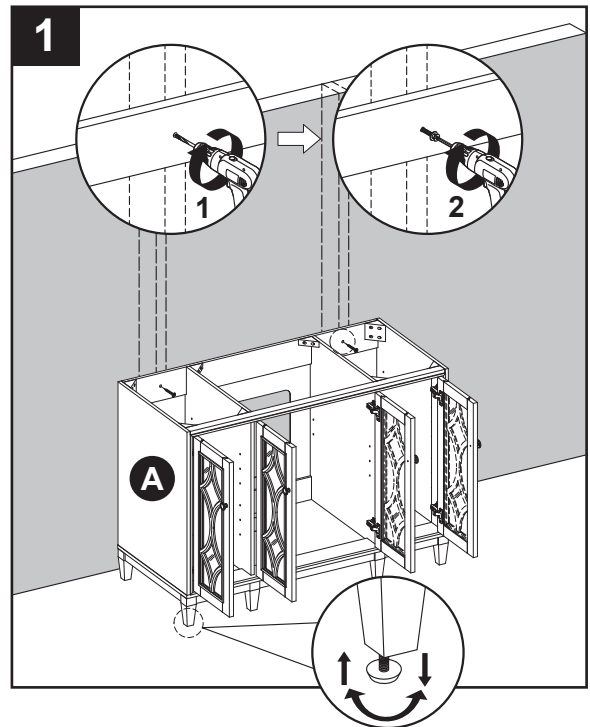
Note: Clean area where the vanity (A) will be permanently located prior to beginning installation, ensuring the vanity (A) will not interfere with any water supply and drain lines once mounted.

1. With two people, carefully place vanity (A) against the wall in its final location. While holding the vanity base firmly against the wall, use the pre-assembled levelers on the bottom of each leg of the vanity (A) to level the item. Twisting the levelers counterclockwise will raise the height of the vanity (A), and twisting them clockwise will lower the vanity.

Once the vanity is in place, against the wall, and level from front to back and side to side, drill a hole through the vanity mounting area and into the wall studs (as illustrated in diagram 1). Using appropriate mounting hardware (not included), secure the vanity (A) to a wall stud. If possible, secure the vanity (A) to two wall studs for increased stability.

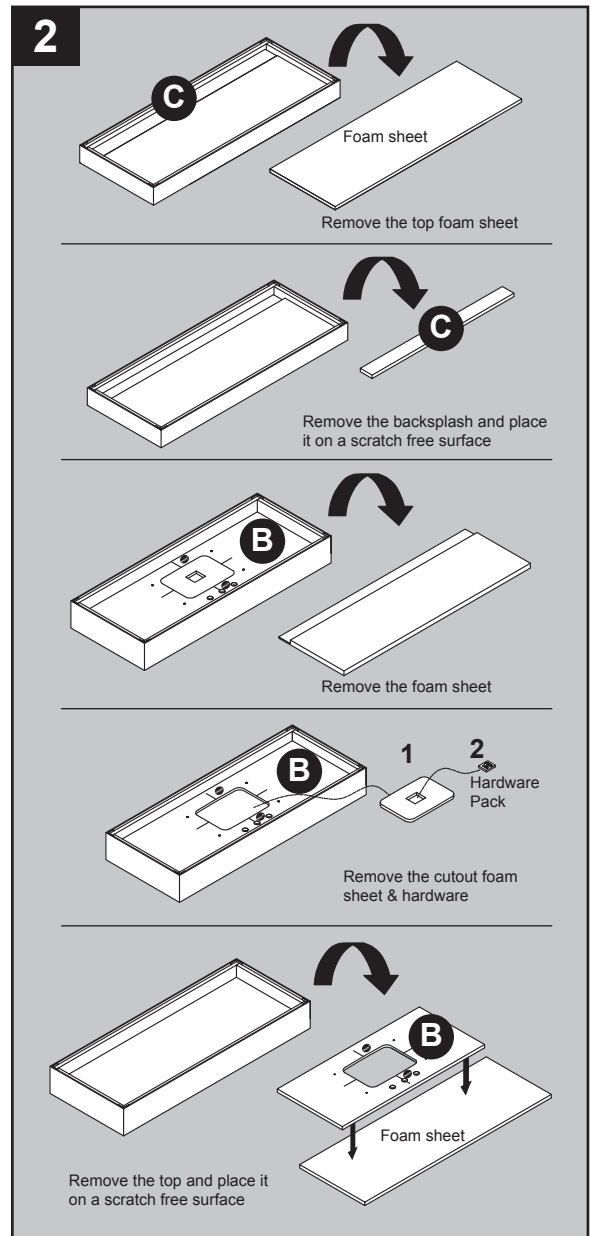
WARNING

Vanity (A) **MUST** be secured to wall.



INSTALLATION INSTRUCTIONS (Undermount Sink)

2. Take out the top (B) and backsplash (C) according to the steps indicated by the drawings on the right, and place them face down onto a scratch free surface such as a foam sheet that came in the packaging.

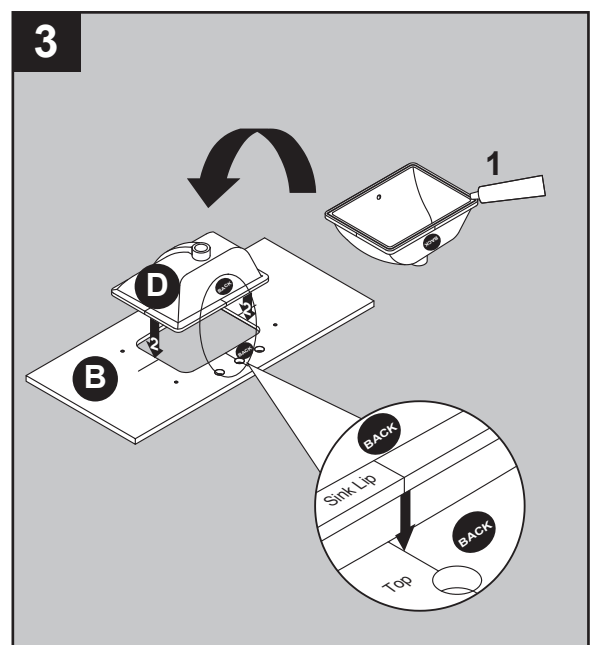


3. Apply silicone caulk (not included) to the top edge of sink (D). With the help of another adult, lower the sink onto the back side of the stone top.

Make sure the sink over-flow hole is facing the front of stone top.

Be sure to align the sink well with the stone top cut out allowing for equal stone overhang on the front, back and sides of the ceramic sink (D).

Note: To install the sink onto the top correctly, ensure that the two "BACK" stamps on the sink and the top are aligned on the same sides. Use the guide lines marked on the sink and bottom side of stone top to assist with sink location.

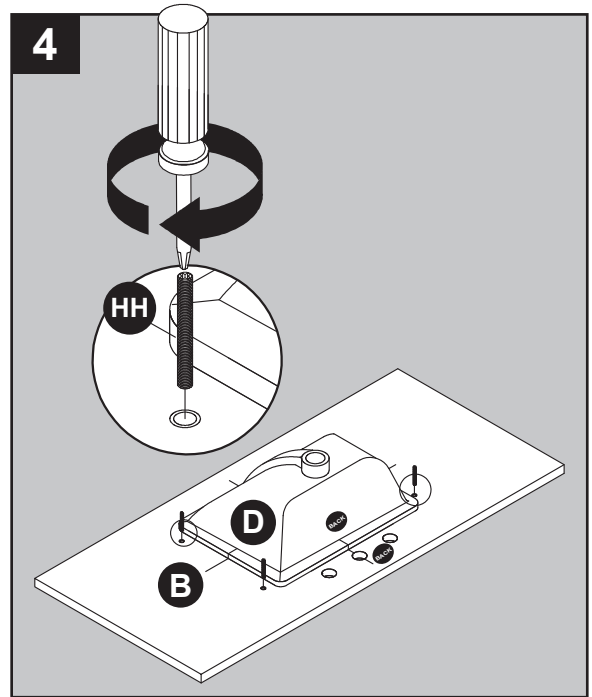


INSTALLATION INSTRUCTIONS (Undermount Sink)

4. Screw bolts (HH) into the threaded holes of stone top (B).

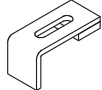
Hardware Used

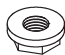
HH Bolt  x 4





5. Lower the sink brackets (II) over the bolts (HH) and allow to rest on the sink lip. Adjust location of bracket to firmly grasp sink lip. Lower lock washers (KK) over bolts (HH) and secure with nuts (JJ). Hand tighten nuts (JJ) with included wrench (LL). **DO NOT OVER TIGHTEN!**
 Tip: Check that the sink placement is well centered front to back and side to side of the stone top cut out before allowing the silicone caulk to dry. If the sink is not centered well unscrew sink clamps, re-adjust the sink position and re-tighten the sink brackets.

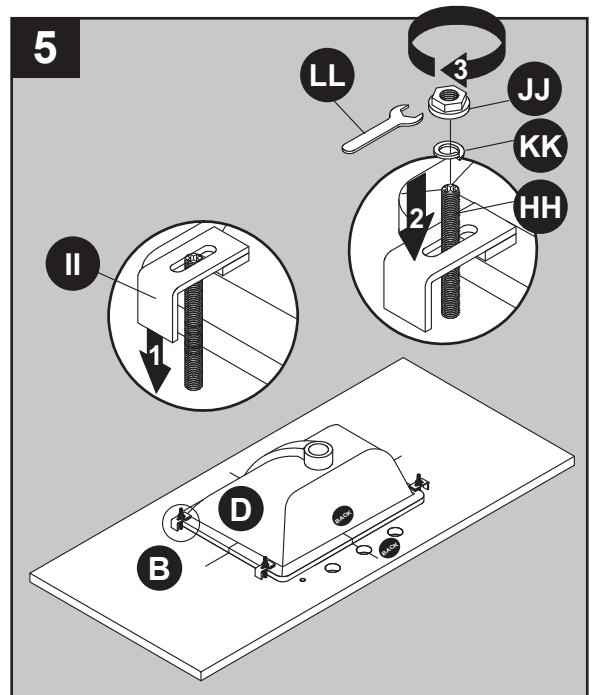
Hardware Used

II Sink bracket  x 4

JJ Nut  x 4

KK Lock Washer  x 4

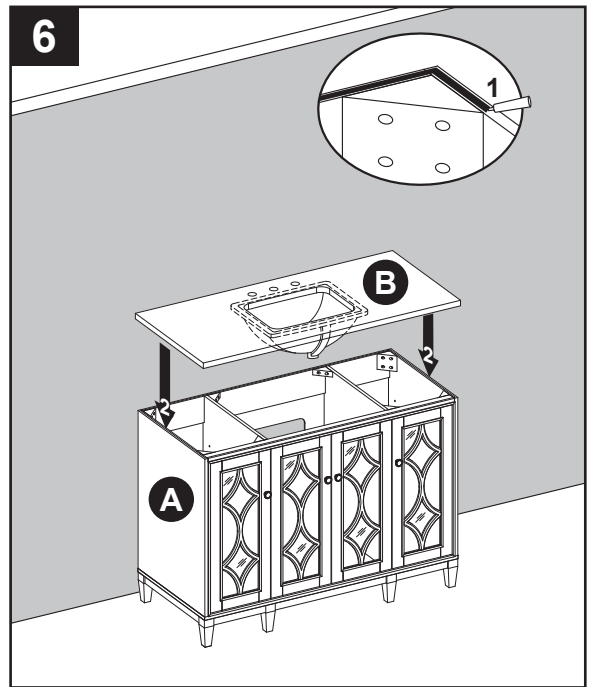
LL Wrench  x 1



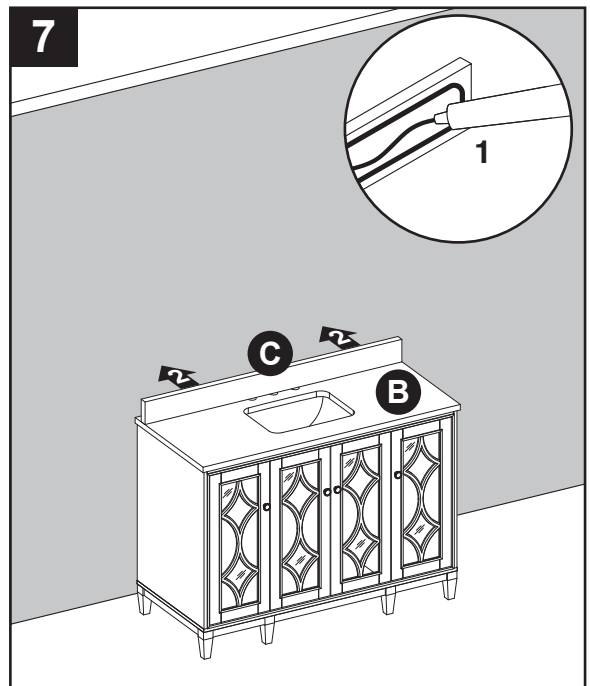
INSTALLATION INSTRUCTIONS (Undermount Sink)

Helpful tip: it may be easier to install your choice of faucet (not included) before securing the vanity top (B) to vanity base (A).

6. To install the Top (B) to the vanity (A).
Apply silicone caulk to the top edge of the wood cabinet. With the help of another adult, gently lower the stone top with assembled sink onto the cabinet. Make sure the stone top is flush with the back side of the wood cabinet and the stone overhang is equal on both sides over the wood cabinet left and right side walls. Remove any excess caulk before allowing to dry.



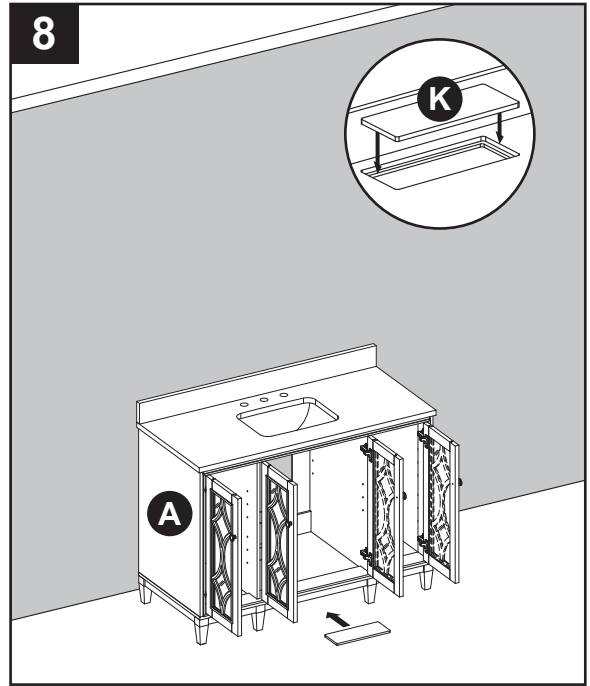
7. Apply silicone caulk (not included) to unpolished side and bottom of backsplash (C). Position backsplash (C) on top (B) and against wall. Clean any excess caulk before allowing to dry.



INSTALLATION INSTRUCTIONS (Undermount Sink)

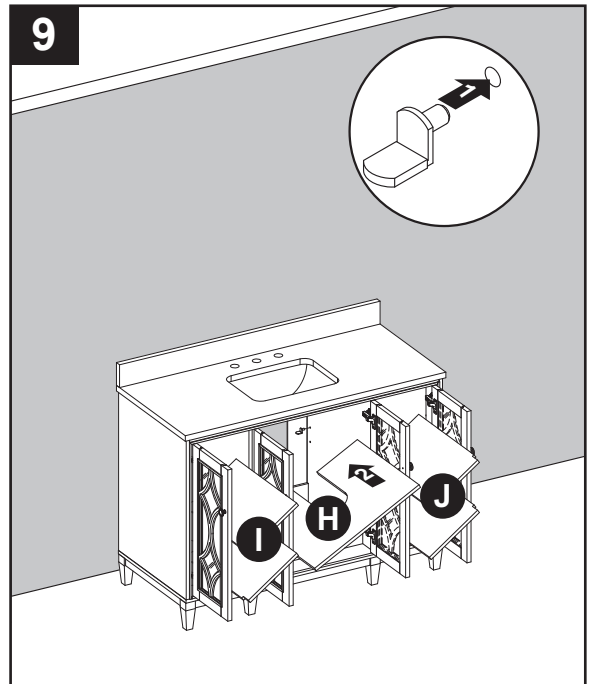
8. The back of the vanity is open for accessibility for drain(s) and water line(s) hookup. If your plumbing comes out of the back wall, insert the floor plumbing cutout lid (K), as shown in Illustration 8. This will close the hole and increase your storage space.

If your plumbing comes out of the floor, this hole provides accessibility for drain and water line hookup.



9. From the front of the assembly, insert shelf pins at desired height, ensuring they are level. Place center shelf (H) on top of shelf pins.

Repeat for the remaining left shelf (I) and right shelf (J).



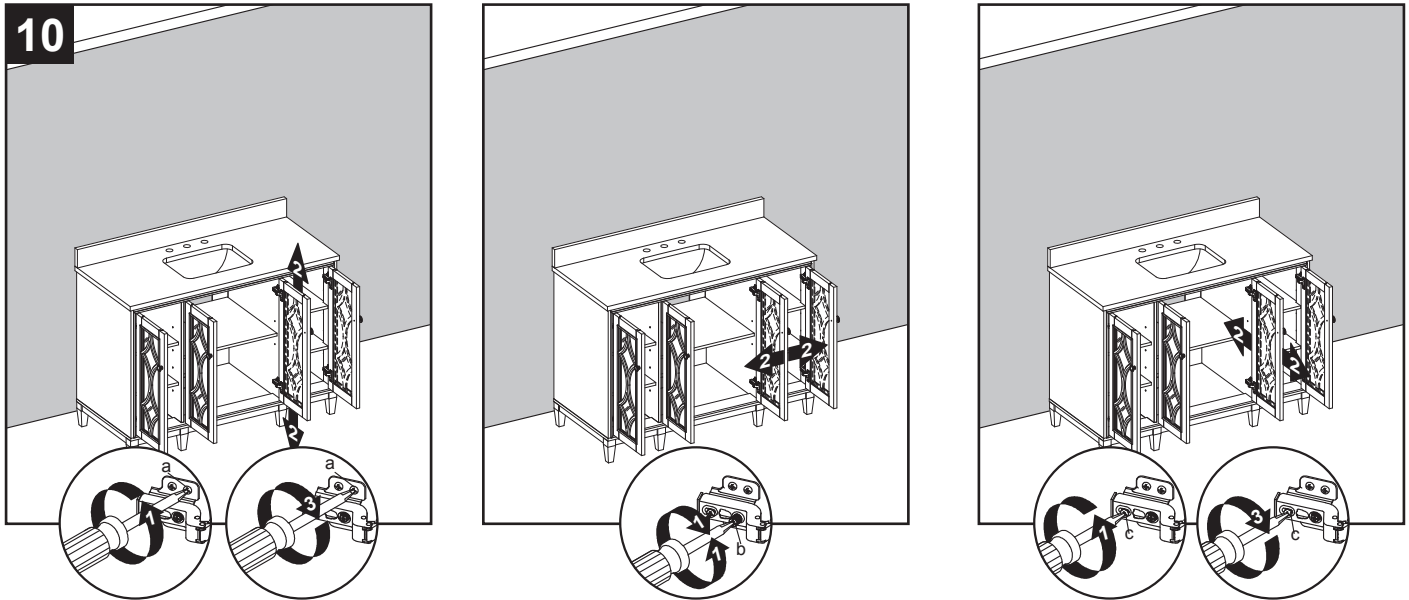
INSTALLATION INSTRUCTIONS (Undermount Sink)

10. If you need to adjust the doors, do so in the following manner.

To adjust door up or down, loosen screws (a) on both hinges, adjust door, and retighten screws.

To adjust door left or right, turn screws (b) on both hinges, in and out.

To adjust door in or out, loosen screws (c) on both hinges, adjust door, and retighten screws.



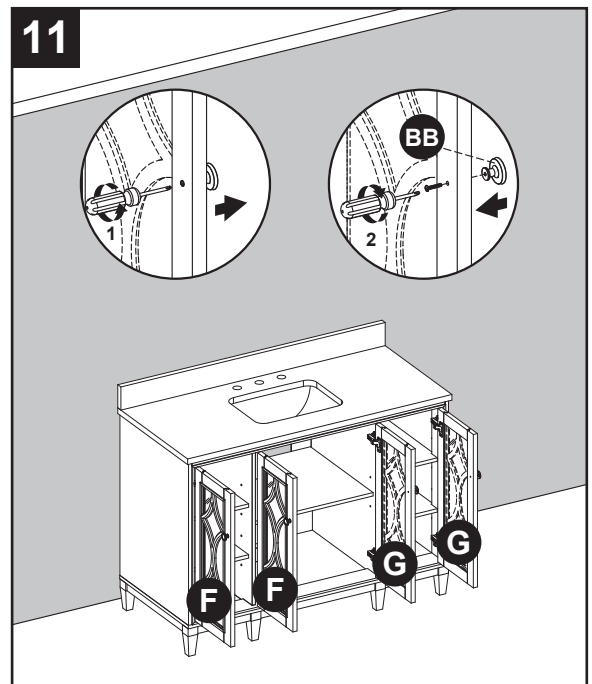
Note: This vanity base comes with two different knobs options.

11. One set of knobs (BB) are packaged separately in the box. If you would like to switch knobs, simply remove the existing knobs and attach the other finish, as illustrated in the diagram.

Assembly is now complete. Install desired faucet and drain assemblies (neither included) per the manufacturers' instructions to complete the installation.

Hardware Used

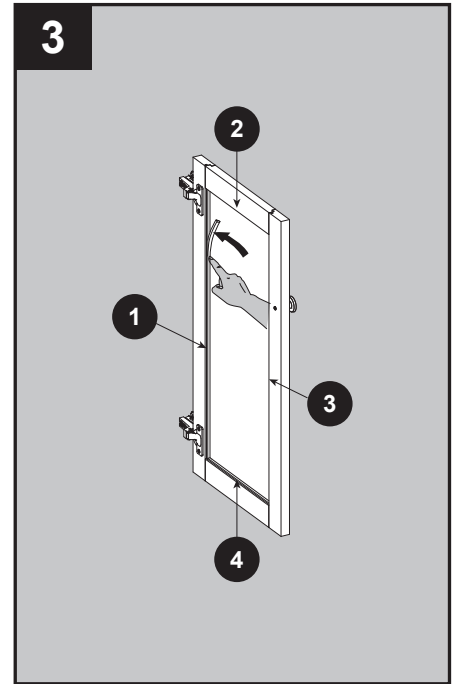
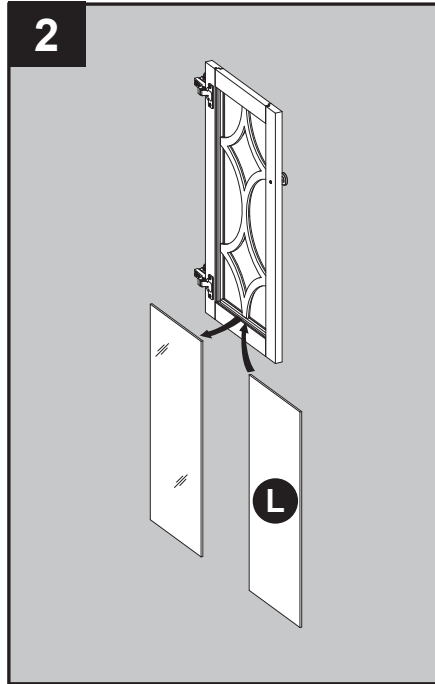
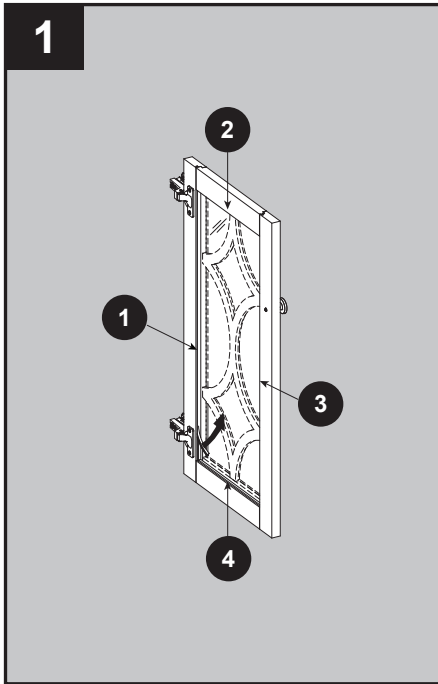
BB Knob  x 4



CHANGE DOOR PANELS (OPTIONAL) (Undermount Sink)

The pre-installed glass door panels can be switched out with the included wood door panels (L).

1. Remove the silicone trim along the outer edges of the glass panel on the inside of the door. Start at a corner and pull to remove the four pieces. Be careful not to damage the silicone trim as it will be used to secure the new panel.
2. Remove the glass panel from the door frame, then insert the included wood door panel (L).
3. Using your finger press the silicone trim back into place. Move around the outer edge of the panels until all four sides are secure.



CARE AND MAINTENANCE

- Dust the vanity regularly with a soft, non-lint producing cloth or household dusting product.
- You can clean the vanity with a gentle, non-abrasive household cleaner.
- Make sure to dry the wood immediately with a soft cloth or towel.
- The stone top can be cleaned using standard marble cleaning agents available at your local supplier.
- Tips for using touch-up pen (AA): For scratches, stroke in direction of scratch; for worn areas, stroke in direction of wood grain. Rub off excess colorant promptly with a soft cloth.

IMPORTANT

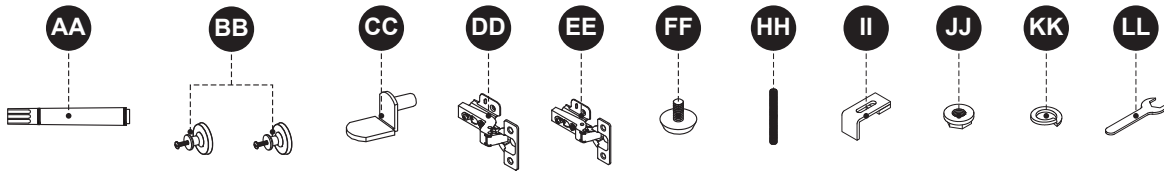
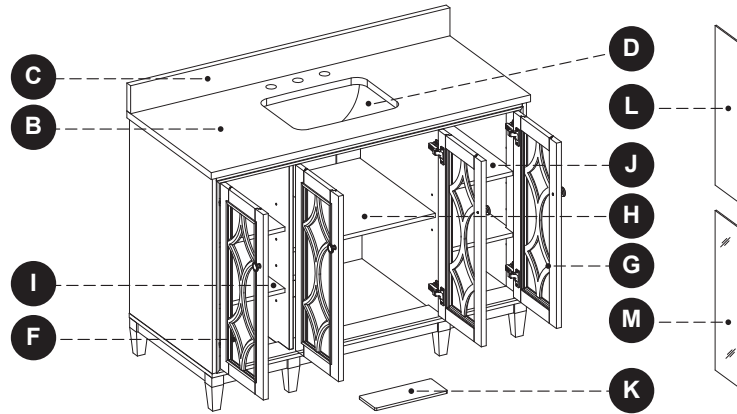
- Shade variations and patterns are an inherent characteristic of stone (e.g. granite, marble, engineered stone). Stone tops will vary from product to product. Use caution placing items such as soap or any fragranced material on the stone surface. Use a soap dish, coaster or similar item to protect the surface if placing any soap or fragranced products on the stone.
- If soap or fragranced products come in contact with the stone top, rinse the surface with water and dry using a soft non-abrasive cloth.
- **WARNING:** Must use cleaning agents safe for stone. Check your cleaning agents use restrictions before using on any stone. Damage to the stone may result. Vanity Manufacturer not responsible for damage caused by improper cleaning agents or soaps used. Warranty will not cover damage caused by the use of improper soaps or cleaning agents.
- **DO NOT** use products to clean the stone top that contain acetone, lemon, vinegar or other acids as these may cause damage to the stone surface.
- Periodically reseal the stone top using an appropriate stone sealer available from your local home store. Follow the manufacturer's directions on how to apply.

WARRANTY

The manufacturer warrants this item against defects in materials and workmanship for a period of one (1) year from the date of original retail purchase. This warranty applies only to the original purchaser. This warranty does not apply to any damage on the product by accident, misuse, or modified, improper installation or by affixing accessories not produced by the manufacturer. The manufacturer will not be held liable for damages caused from cleaners or soaps that etch or stain the stone top. The manufacturer is not accountable whatsoever for product installation during the warranty period. There is no further expressed warranty. The manufacturer shall not be legally responsible for incidental, consequential or special damages arising at or in connection with product use or performance except as may otherwise be accorded by law. The manufacturer disclaims any and all implied warranties.

REPLACEMENT PARTS LIST FOR 1591VA-48-241-UM (Undermount Sink)

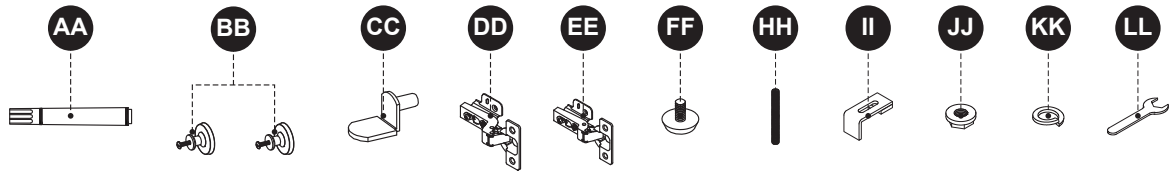
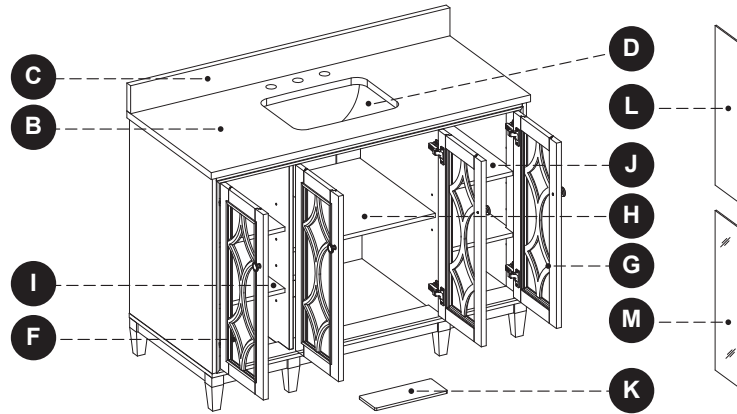
For replacement parts, call our customer service department at 1-855-571-1044, 9 a.m. - 5 p.m., EST, Monday - Friday.



PART	DESCRIPTION	PART#
B	Complete Set 48" Carrara Marble Top	2500VT-48-900
	Complete Set 48" Pure White Top	2500VT-48-907
	Complete Set 48" Engineered Calacatta Top	2500VT-48-926
C	48" Carrara Marble Backsplash	PUBS-25-900-48
	48" Pure White Backsplash	PUBS-25-907-48
	48" Engineered Calacatta Backsplash	PUBS-25-926-48
D	Sink	PU17-18X14-SQUARE
F	Left Door	1591VA-48-241-DOOR SET
G	Right Door	
H	Center Shelf	1591VA-48-241-CENTER SHELF
I	Left Shelf	1591VA-48-241-LEFT SHELF
J	Right Shelf	1591VA-48-241-RIGHT SHELF
K	Floor Plumbing Cutout Lid	241 FP LID
L	Wood Door Panel	PU21-1591VA-48-241-DOOR CENTER PANELS
M	Glass Door Panel	
AA	Touch-up pen	OF-0010
BB	Knob-brushed nickel	1591-BN KNOB
	Knob-champagne brass	1591-CB KNOB
CC	Shelf Pin	B1044
DD	Large Bend Hinge	C-90-107
EE	Middle Bend Hinge	C-90-109
FF	Leveler	T-1007
HH	Bolt	GTC-SINK CLIPS
II	Sink Bracket	
JJ	Nut	
KK	Lock Washer	
LL	Wrench	

REPLACEMENT PARTS LIST FOR 1591VA-48-247-UM (Undermount Sink)

For replacement parts, call our customer service department at 1-855-571-1044, 9 a.m. - 5 p.m., EST, Monday - Friday.



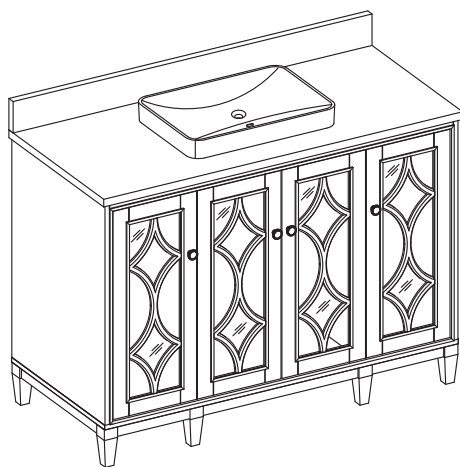
PART	DESCRIPTION	PART#
B	Complete Set 48" Carrara Marble Top	2500VT-48-900
	Complete Set 48" Pure White Top	2500VT-48-907
	Complete Set 48" Engineered Calacatta Top	2500VT-48-926
C	48" Carrara Marble Backsplash	PUBS-25-900-48
	48" Pure White Backsplash	PUBS-25-907-48
	48" Engineered Calacatta Backsplash	PUBS-25-926-48
D	Sink	PU17-18X14-SQUARE
F	Left Door	1591VA-48-247-DOOR SET
G	Right Door	
H	Center Shelf	1591VA-48-247-CENTER SHELF
I	Left Shelf	1591VA-48-247-LEFT SHELF
J	Right Shelf	1591VA-48-247-RIGHT SHELF
K	Floor Plumbing Cutout Lid	247 FP LID
L	Wood Door Panel	PU21-1591VA-48-247-DOOR CENTER PANELS
M	Glass Door Panel	
AA	Touch-up pen	OX-0950
BB	Knob-brushed nickel	1591-BN KNOB
	Knob-matte black	1591-MB KNOB
CC	Shelf Pin	B1044
DD	Large Bend Hinge	C-90-107
EE	Middle Bend Hinge	C-90-109
FF	Leveler	T-1007
HH	Bolt	GTC-SINK CLIPS
II	Sink Bracket	
JJ	Nut	
KK	Lock Washer	
LL	Wrench	

TOCADOR CON CUBIERTA DE 121,92 CM

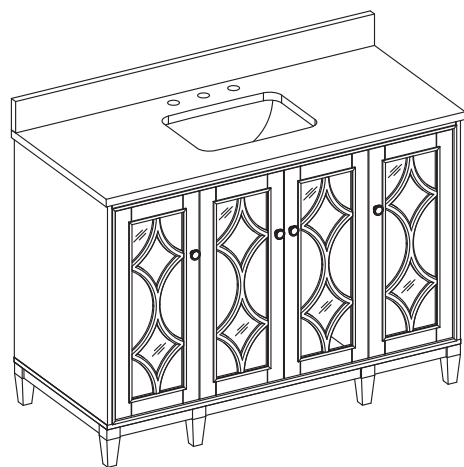
MODELO #

1591VA-48-241-900-SR; 1591VA-48-241-900-UM; 1591VA-48-241-907-SR;
1591VA-48-241-907-UM; 1591VA-48-241-926-SR; 1591VA-48-241-926-UM;
1591VA-48-247-900-SR; 1591VA-48-247-900-UM; 1591VA-48-247-907-SR;
1591VA-48-247-907-UM; 1591VA-48-247-926-SR; 1591VA-48-247-926-UM

**OPCIÓN 1
(LAVABO SEMIEMPOTRABLE)**



**OPCIÓN 2
(LAVABO EMPOTRABLE)**



NÚMERO DE MODELO	DESCRIPCIÓN
1591VA-48-241-900-SR	Kathy Ireland Collection 1591 – Tocador de 48 pulg. chapado de roble pintado en blanco/superficie de mármol de Carrara semiempotrada
1591VA-48-241-900-UM	Kathy Ireland Collection 1591 – Tocador de 48 pulg. chapado de roble pintado en blanco/superficie de mármol de Carrara
1591VA-48-241-907-SR	Kathy Ireland Collection 1591 – Tocador de 48 pulg. chapado de roble pintado en blanco/superficie en blanco puro semiempotrada
1591VA-48-241-907-UM	Kathy Ireland Collection 1591 – Tocador de 48 pulg. chapado de roble pintado en blanco/superficie en blanco puro
1591VA-48-241-926-SR	Kathy Ireland Collection 1591 – Tocador de 48 pulg. chapado de roble pintado en blanco/superficie de calacatta procesada semiempotrada
1591VA-48-241-926-UM	Kathy Ireland Collection 1591 – Tocador de 48 pulg. chapado de roble pintado en blanco/superficie de calacatta procesada
1591VA-48-247-900-SR	Kathy Ireland Collection 1591 – Tocador de 48 pulg. chapado de roble cachemira/superficie de mármol de Carrara semiempotrada
1591VA-48-247-900-UM	Kathy Ireland Collection 1591 – Tocador de 48 pulg. chapado de roble cachemira/superficie de mármol de Carrara
1591VA-48-247-907-SR	Kathy Ireland Collection 1591 – Tocador de 48 pulg. chapado de roble cachemira/superficie en blanco puro semiempotrada
1591VA-48-247-907-UM	Kathy Ireland Collection 1591 – Tocador de 48 pulg. chapado de roble cachemira/superficie en blanco puro
1591VA-48-247-926-SR	Kathy Ireland Collection 1591 – Tocador de 48 pulg. chapado de roble cachemira/superficie de calacatta procesada semiempotrada
1591VA-48-247-926-UM	Kathy Ireland Collection 1591 – Tocador de 48 pulg. chapado de roble cachemira/superficie de calacatta procesada

ADJUNTE SU RECIBO AQUÍ

Número de serie _____ Fecha de compra _____

¿Preguntas, problemas, piezas faltantes? Antes de volver a la tienda, llame a nuestro Departamento de Servicio al Cliente al 1-855-571-1044 de lunes a viernes de 9:00 a.m. a 5:00 p.m., hora estándar del Este.

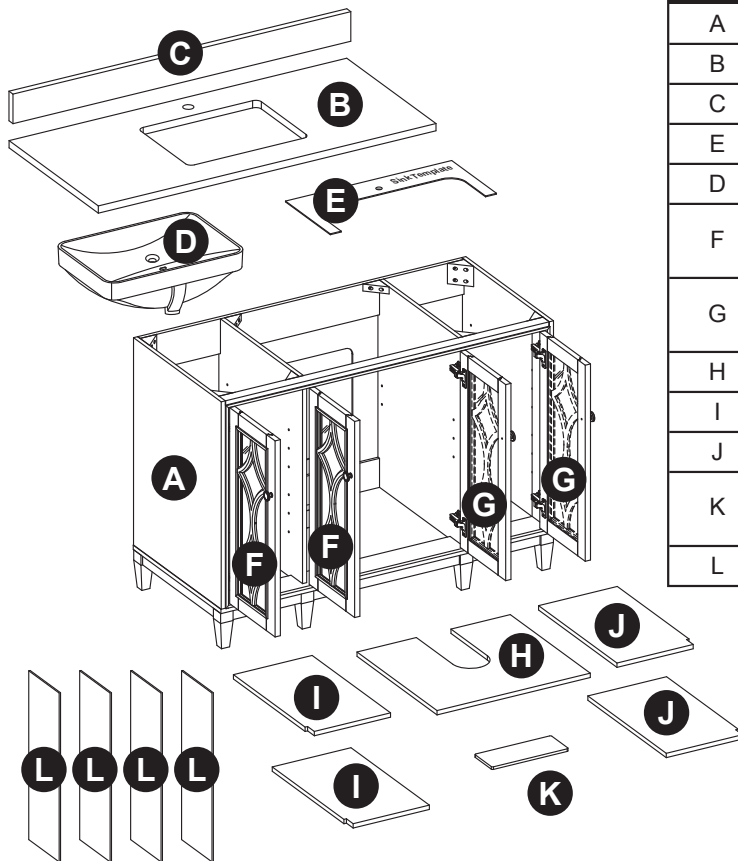
TABLA DE CONTENIDOS PARA LA OPCIÓN 1 (LAVABO SEMIEMPOTRABLE)

Contenido del paquete.....	27
Aditamentos.....	27
Información de seguridad.....	27
Preparación.....	28
Instrucciones de ensamblaje o instalación.....	28
Cambio de los paneles de puertas (opcional).....	34
Cuidado y mantenimiento.....	35
Garantía.....	35
Lista de piezas de repuesto.....	36

TABLA DE CONTENIDOS PARA LA OPCIÓN 2 (LAVABO EMPOTRABLE)

Contenido del paquete.....	38
Aditamentos.....	38
Información de seguridad.....	38
Preparación.....	39
Instrucciones de ensamblaje o instalación.....	39
Cambio de los paneles de puertas (opcional).....	45
Cuidado y mantenimiento.....	46
Garantía.....	46
Lista de piezas de repuesto.....	47

CONTENIDO DEL PAQUETE (LAVABO SEMIEMPOTRABLE)



PIEZA	DESCRIPCIÓN	CANTIDAD	CARTÓN
A	Tocador	1	Caja 2 de 3
B	Cubierta	1	Caja 1 de 3
C	Protector contra salpicaduras	1	
E	Plantilla de lavamanos	1	Caja 3 de 3
D	Lavabo	1	
F	Puerta izquierda (preensamblada al tocador (A))	2	Caja 2 de 3
G	Puerta derecha (preensamblada al tocador (A))	2	
H	Estante central	1	
I	Estante izquierdo	2	
J	Estante derecho	2	
K	Tapa de corte para plomería del piso	1	
L	Panel de puerta de madera	4	

ADITAMENTOS (NO SE MUESTRAN EN TAMAÑO REAL)

AA



Aplicador de retoque
Cant. 1

BB



Perilla (2 opciones de 241)
Níquel cepillado (Cant. 4)
Latón champán (Cant. 4)

BB



Perilla (2 opciones de 247)
Níquel cepillado (Cant. 4)
Negro mate (Cant. 4)

! INFORMACIÓN DE SEGURIDAD

Lea y comprenda completamente este manual antes de intentar ensamblar, usar o instalar el producto.

! ADVERTENCIA

- Hay varios pasos de ensamblaje, incluido el desembalaje, que requieren dos adultos.

PRECAUCIÓN

- Siga estas instrucciones detenidamente, tómese el tiempo necesario y tenga cuidado al ensamblar este tocador.

GUARDE ESTAS INSTRUCCIONES PARA REFERENCIA FUTURA.

PREPARACIÓN

Antes de comenzar a ensamblar el producto, asegúrese de tener todas las piezas. Compare las piezas con la lista del contenido del paquete y la lista de aditamentos. No intente ensamblar el producto si falta alguna pieza o si estas están dañadas.

Temps d'installation approximatif : 45 minutes (24 heures pour le séchage du calfeutrant à base de silicone).

Outils nécessaires pour l'installation (non inclus) : tournevis cruciforme, couteau à lame rétractable ou ciseaux, calfeutrant à base de silicone, perceuse électrique et foret, ruban à mesurer et niveau.

INSTRUCCIONES DE INSTALACIÓN (LAVABO SEMIEMPOTRABLE)

Nota: limpie el área donde se colocará el tocador (A) antes de comenzar con la instalación permanente y asegúrese de que el tocador (A) no interfiera con ningún suministro de agua ni desagües una vez montado.

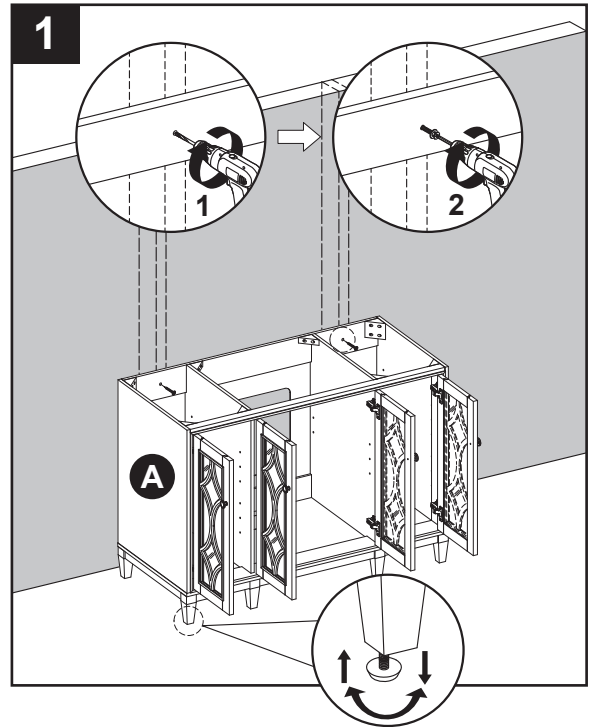
1. Con la ayuda de dos personas, coloque cuidadosamente el tocador (A) contra la pared en su ubicación definitiva. Mientras sostiene la base del tocador firmemente contra la pared, use los niveladores preensamblados en la parte inferior de cada pata del tocador (A) para nivelar el artículo. Si gira los niveladores en dirección contraria a las manecillas del reloj aumentará la altura del tocador (A); si los gira en dirección de las manecillas del reloj disminuirá la altura del tocador.

Una vez que el tocador esté en su lugar, contra la pared, y nivelado de adelante hacia atrás y de lado a lado, taladre un orificio a través del área de montaje del tocador y en los montantes de la pared (como se ilustra en el diagrama 1). Con los aditamentos de montaje adecuados (no se incluyen), fije el tocador (A) a un montante de la pared. Si es posible, fije el tocador (A) a dos montantes de pared para obtener mayor estabilidad.



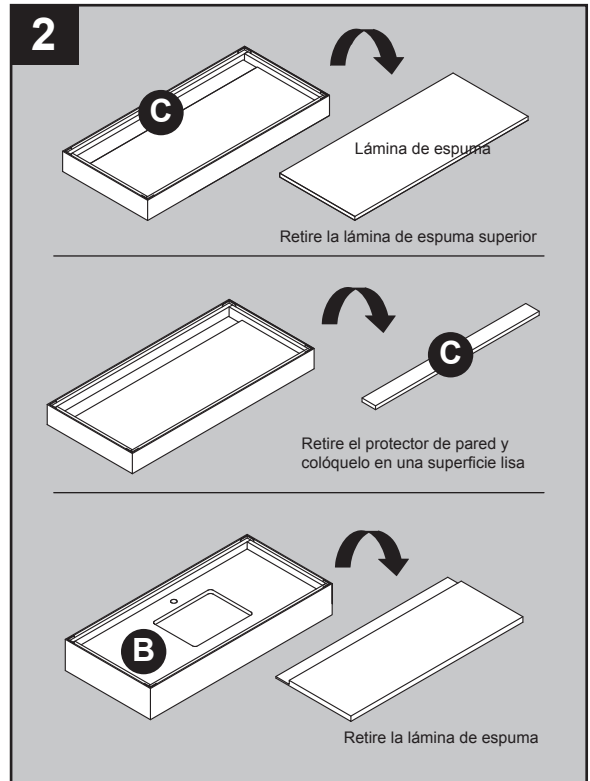
ADVERTENCIA

El tocador (A) **DEBE** fijarse a la pared.



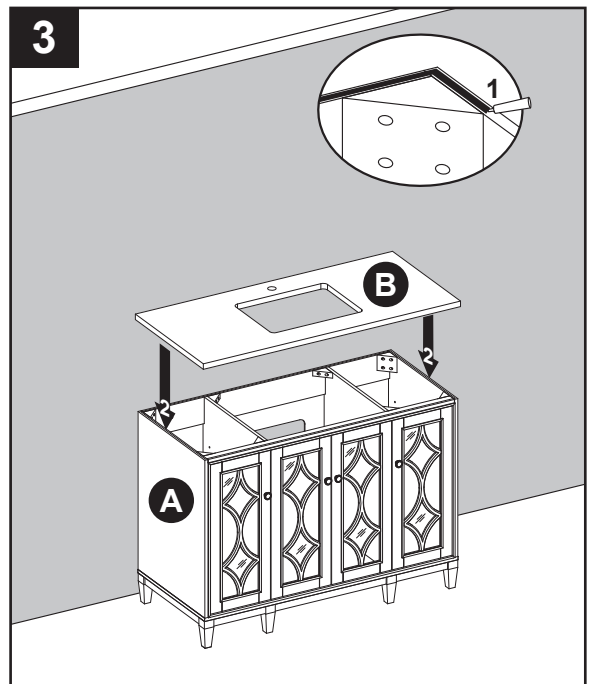
INSTRUCCIONES DE INSTALACIÓN (LAVABO SEMIEMPOTRABLE)

2. Quite la parte superior (B) y el protector de pared (C) de acuerdo con los pasos indicados en los diagramas de la derecha, y colóquelos boca arriba sobre una superficie lisa, como la lámina de espuma incluida en el paquete.



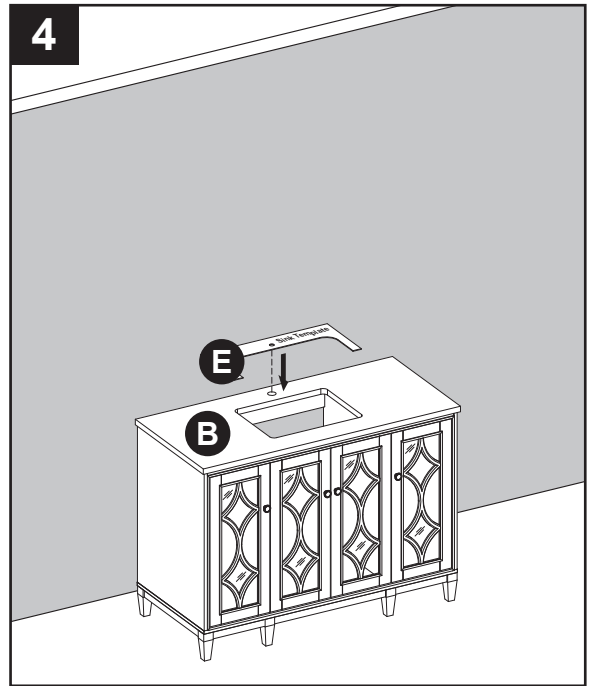
Nota: en esta etapa puede resultar más sencillo instalar el kit de grifo y desagüe (no se incluye) en la cubierta (B) de acuerdo con las instrucciones del fabricante antes de continuar con el paso 3.

3. Coloque masilla de calafateo de silicona que no mancha (no se incluye) en los bordes superiores del tocador (A). Con la ayuda de otro adulto, baje la cubierta (B) con cuidado sobre el tocador (A). Quite el exceso de masilla de calafateo con un paño suave y espere 24 horas aproximadamente para que seque.

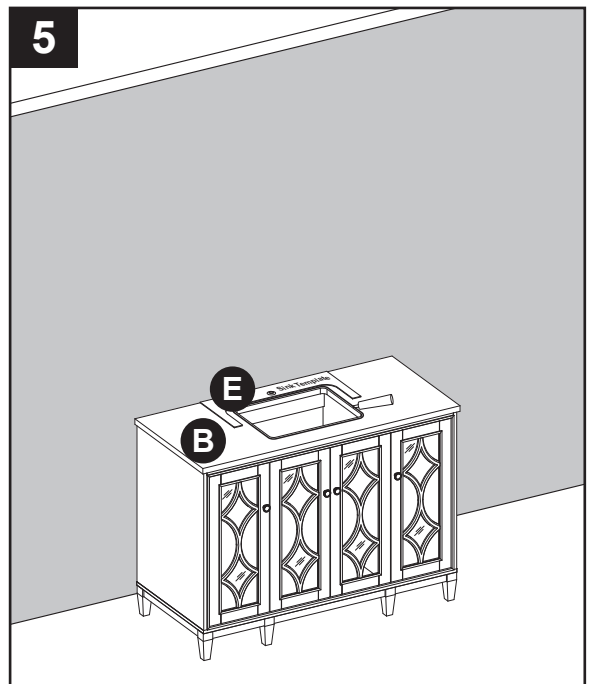


INSTRUCCIONES DE INSTALACIÓN (LAVABO SEMIEMPOTRABLE)

- Coloque la plantilla del lavamanos (E) en la parte superior (B). El orificio en el cartón debe estar alineado con el orificio en la cubierta de piedra. Asegúrese de que la plantilla del lavamanos y la cubierta de piedra estén alineadas a lo largo del borde posterior.



- Aplique un cordón delgado de masilla de calafateo de silicona (no se incluye) en la cubierta de piedra cerca del borde del lavamanos en el corte como se muestra.

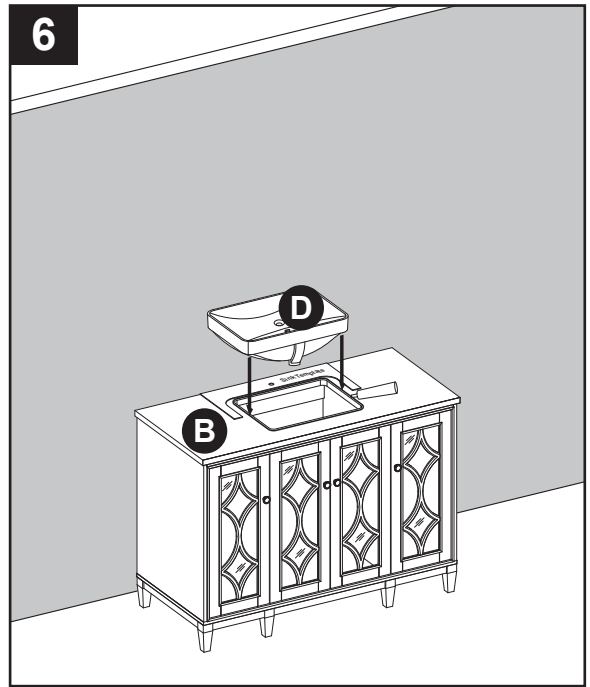


INSTRUCCIONES DE INSTALACIÓN (LAVABO SEMIEMPOTRABLE)

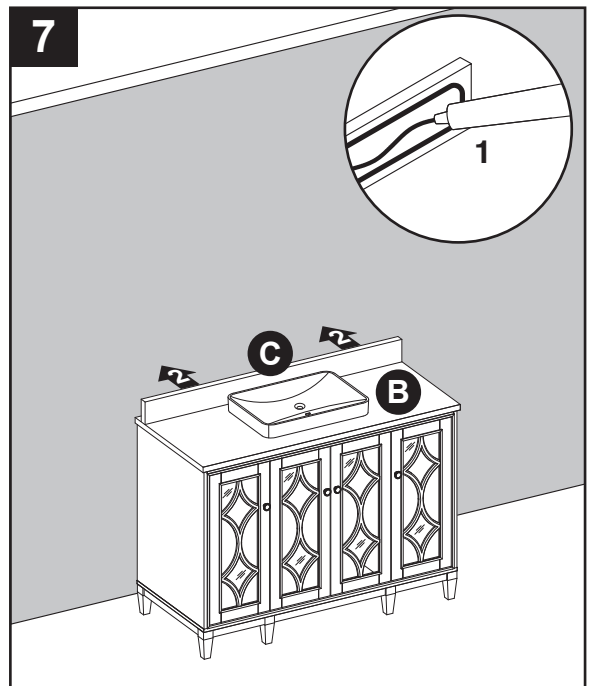
6. Con la ayuda de otro adulto, baje suavemente el lavamanos sobre la cubierta de piedra aplicando una presión uniforme para colocarlo de forma correcta.

Asegúrese de que el orificio de desborde del lavamanos esté en la parte delantera del gabinete de madera.

Si se desborda un poco de masilla de calafateo de silicona, límpiela en ese momento con agua.



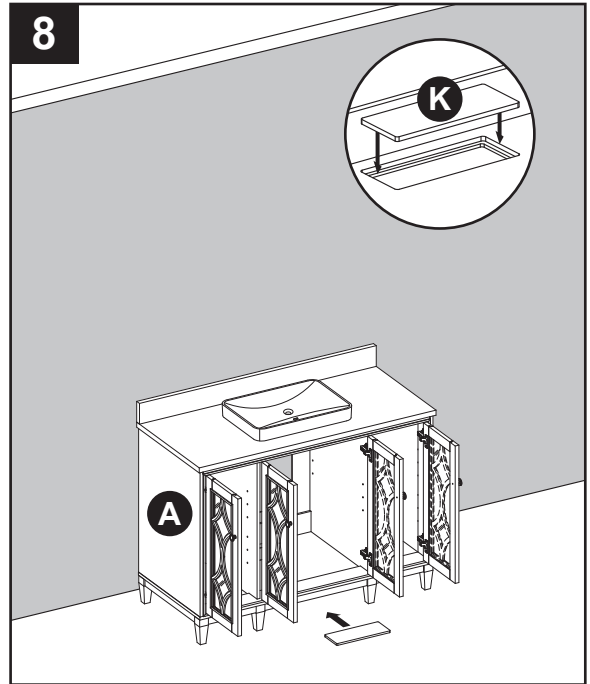
7. Coloque masilla de calafateo de silicona (no se incluye) en el lado inferior y sin pulir del protector contra salpicaduras (C). Coloque el protector contra salpicaduras (C) sobre la cubierta (B) y pegado a la pared. Limpie cualquier exceso de masilla de calafateo antes de permitir que se seque.



INSTRUCCIONES DE INSTALACIÓN (LAVABO SEMIEMPOTRABLE)

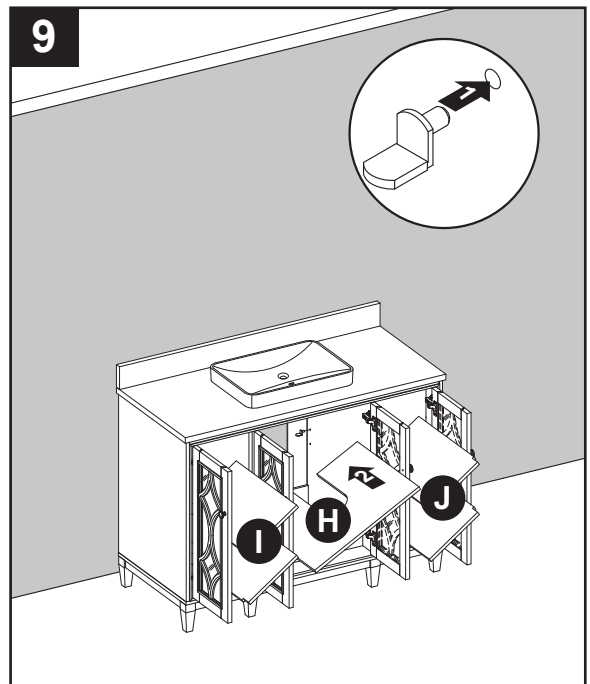
8. La parte posterior del tocador está abierta para contar con accesibilidad a las conexiones de drenajes y líneas de agua. Si la plomería sale de la pared posterior, inserte la tapa de corte de plomería del piso (K), como se muestra en la Ilustración 8. Esto cerrará el orificio y aumentará su espacio de almacenamiento.

Si la plomería sale del piso, este orificio brinda accesibilidad para el drenaje y la conexión de la línea de agua.



9. Desde la parte delantera del ensamblaje, coloque los soportes para estante a la altura deseada y asegúrese de que queden nivelados. Coloque el estante central (H) en la parte superior de los soportes para estante.

Repita el procedimiento con el estante izquierdo (I) y el estante derecho (J) restante.



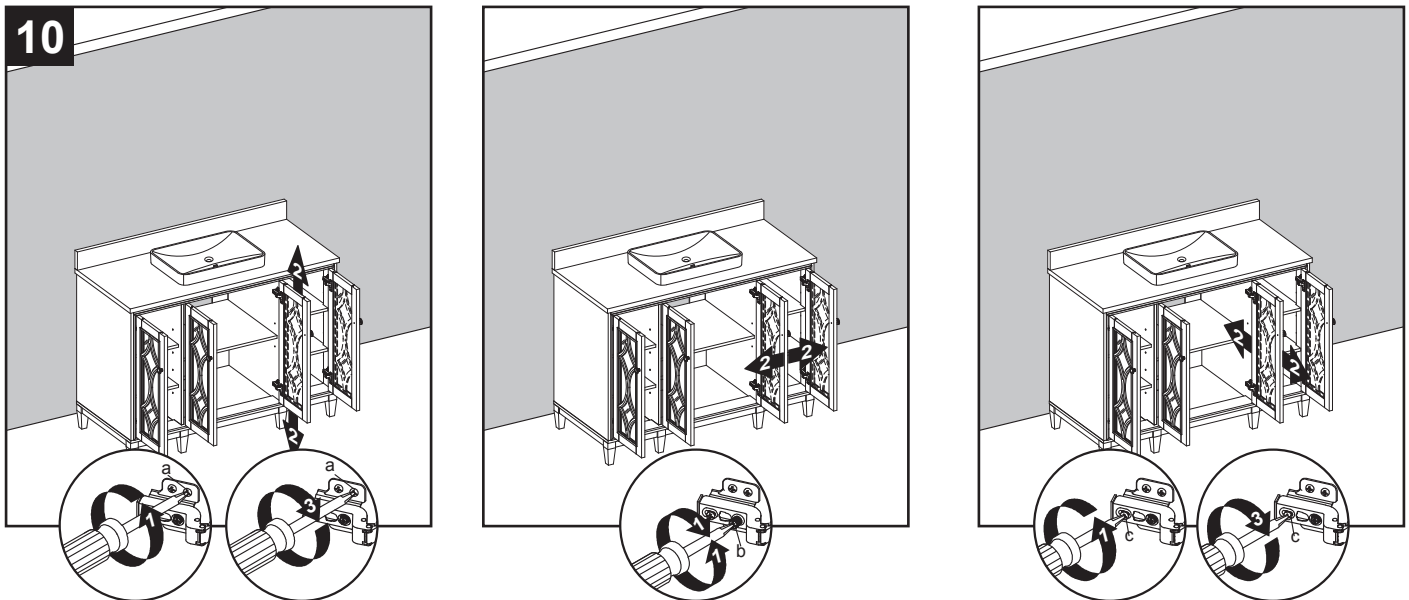
INSTRUCCIONES DE INSTALACIÓN (LAVABO SEMIEMPOTRABLE)

10. Si necesita ajustar las puertas, hágalo de la siguiente manera.

Para ajustar las puertas hacia arriba o abajo, afloje los tornillos (a) en ambas bisagras, ajuste la puerta y vuelva a apretar los tornillos.

Para ajustar las puertas hacia la derecha o la izquierda, gire los tornillos en ambas bisagras (b) hacia adentro y afuera.

Para ajustar las puertas hacia adentro o afuera, afloje los tornillos (c) en ambas bisagras, ajuste la puerta y vuelva a apretar los tornillos.




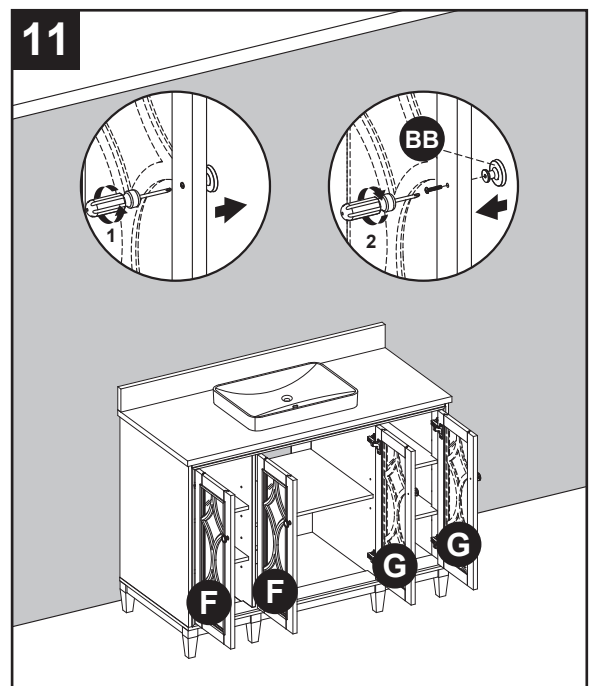
Nota: este gabinete de tocador viene con dos opciones diferentes de perillas.

11. En la caja hay un juego de perillas (BB) empaquetados por separado. Si desea cambiar las perillas, simplemente retire las perillas instaladas y coloque la otra terminación, como se ilustra en el diagrama.

Ya ha terminado el ensamblaje. Instale los ensambles del grifo y el desagüe (no se incluyen) según las instrucciones del fabricante para completar la instalación.

Aditamentos utilizados

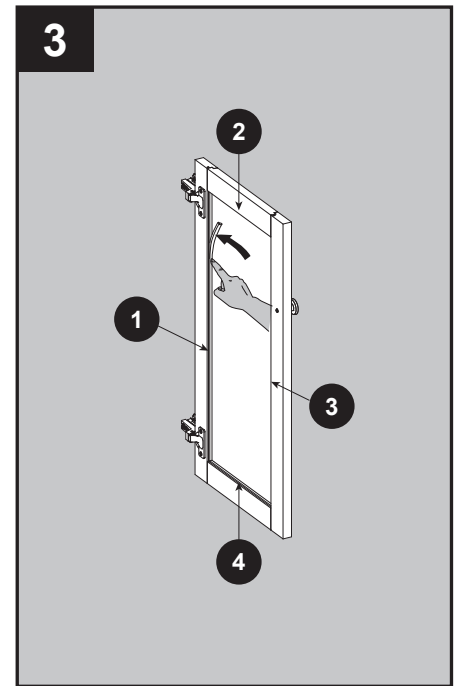
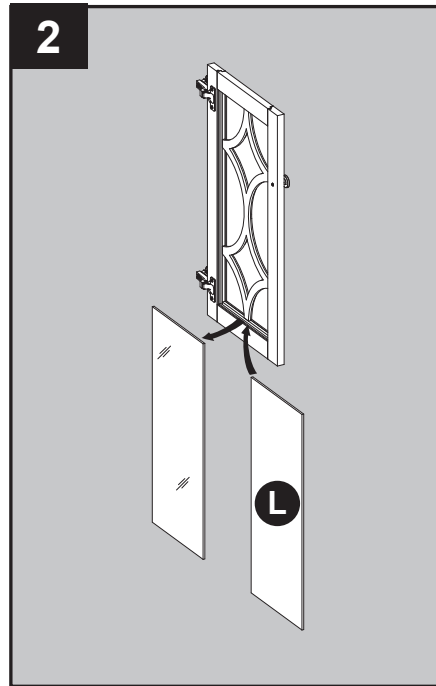
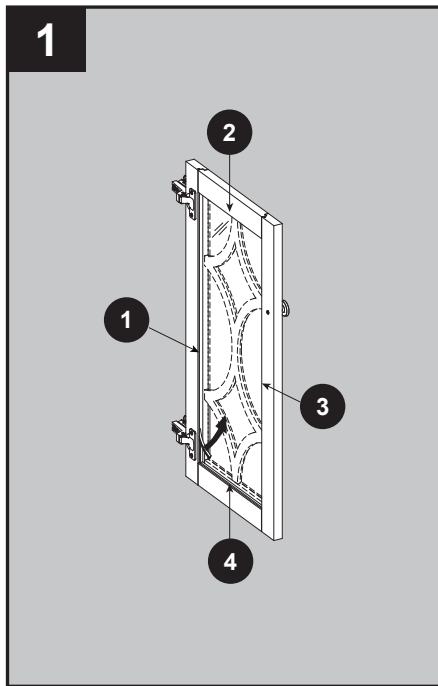
BB Perilla  x 4



CAMBIO DE LOS PANELES DE PUERTAS (OPCIONAL) (LAVABO SEMIEMPOTRABLE)

Los paneles de puerta de vidrio preinstalados se pueden cambiar con los paneles de puerta de madera (L) incluidos.

1. Retire la moldura de silicona de los bordes exteriores del panel de vidrio en el interior de la puerta. Comience en una esquina y jale para retirar las cuatro piezas. Tenga cuidado de no dañar la moldura de silicona, ya que se utilizará para asegurar el nuevo panel.
2. Retire el panel de vidrio del marco para puerta, luego inserte el panel de puerta de madera incluido (L).
3. Con el dedo, presione la moldura de silicona en su lugar. Muévase alrededor del borde exterior de los paneles hasta que los cuatro lados estén seguros.



CUIDADO Y MANTENIMIENTO

- Limpie el tocador regularmente con un paño suave que no deje pelusas o con un producto de limpieza doméstico.
- Puede limpiar el tocador con un limpiador doméstico suave no abrasivo.
- Asegúrese de secar la madera inmediatamente con un paño o una toalla suave.
- La cubierta de piedra se puede limpiar con limpiadores para mármol estándar disponibles en su tienda local.
- Consejos para usar el aplicador de retoque (AA): para rayones, aplique en la dirección del rayón; para áreas desgastadas, aplique en la dirección de la veta de madera. Frote el exceso de colorante rápidamente con un paño suave para retirarlo.

IMPORTANTE

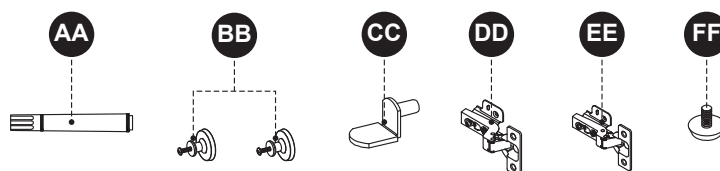
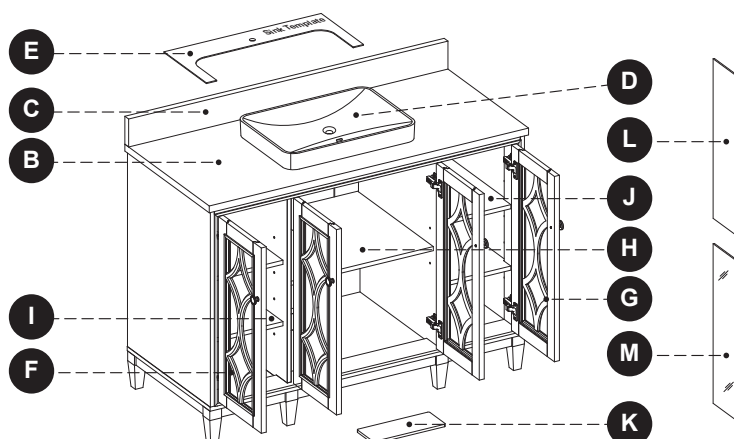
- La variación en el tono y diseño es una característica propia de la piedra (como en el caso del granito, el mármol y la piedra procesada). Las cubiertas de piedra varían de un producto a otro. Tenga cuidado al colocar artículos como jabón o cualquier material perfumado en la superficie de piedra. Utilice una jabonera, un posavasos o un artículo similar para proteger la superficie al colocar jabón o productos con alguna fragancia sobre la piedra.
- Si el jabón o los productos con alguna fragancia entran en contacto con la superficie de piedra, enjuague el área con agua y seque usando un paño suave de material no abrasivo.
- **ADVERTENCIA:** se deben usar agentes de limpieza aptos para la piedra. Revise las restricciones de uso de los agentes de limpieza antes de usar sobre cualquier piedra. Se pueden producir daños a la piedra. El fabricante del tocador no es responsable de los daños provocados por agentes de limpieza o jabones inadecuados utilizados. La garantía no cubrirá los daños provocados por el uso de jabones o agentes de limpieza inadecuados.
- **NO** utilice productos que contengan acetona, limón, vinagre u otros ácidos para limpiar la parte superior de piedra, ya que estos pueden dañar la superficie de piedra.
- Vuelva a sellar la cubierta de piedra de forma periódica con un sellador de piedra, disponible en la tienda más cercana a su domicilio. Siga las instrucciones del fabricante sobre cómo aplicar el artículo.

GARANTÍA

El fabricante garantiza que este artículo está libre de defectos en los materiales y la mano de obra por un período de un (1) año a partir de la fecha de compra original. Esta garantía es válida solo para el comprador original. Esta garantía no se aplica si el producto ha sido dañado por accidentes o uso indebido, modificación o instalación incorrecta, o a causa de elementos accesorios que no son del fabricante. El fabricante no será responsable por daños causados de limpiadores o jabones que produzcan decapado o manchas en la cubierta de piedra. El fabricante no asume ningún tipo de responsabilidad por la instalación del producto durante el período de garantía. No existe otro tipo de garantía explícita. El fabricante no será legalmente responsable por daños accidentales, especiales o resultantes que surjan o se relacionen con el uso o rendimiento del producto, excepto que la ley indique lo contrario. El fabricante rechaza cualquiera y todas las garantías implícitas.

LISTA DE PIEZAS DE REPUESTO PARA 1591VA-48-241-SR (LAVABO SEMIEMPOTRABLE)

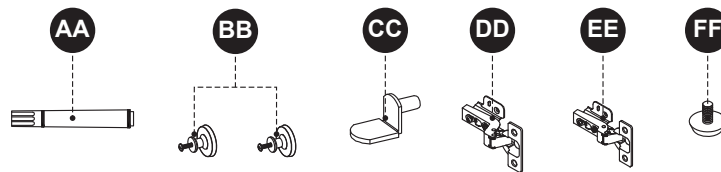
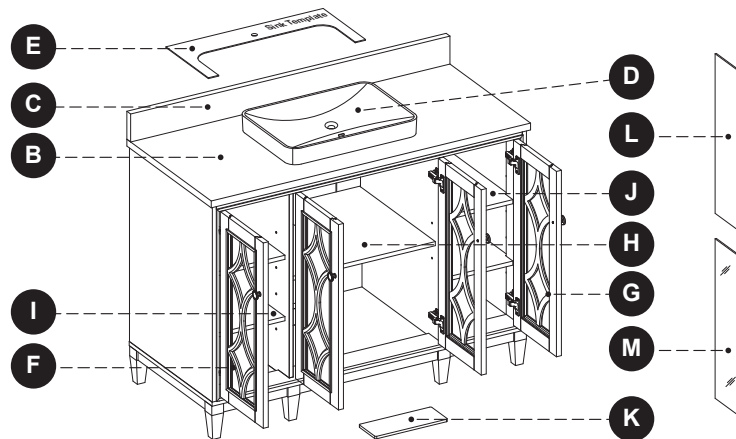
Para obtener piezas de repuesto, llame a nuestro Departamento de Servicio al Cliente al 1-855-571-1044, de lunes a viernes de 9:00 a.m. a 5:00 p.m., hora del Este.



PIEZA	DESCRIPCIÓN	PIEZA #
B	Juego completo de cubierta de mármol de Carrara de 48"	3500VT-48-900
	Juego completo de cubierta blanca de 48"	3500VT-48-907
	Juego completo de cubierta de calacatta procesada de 48"	3500VT-48-926
C	Protector de pared de mármol de Carrara de 48"	PUBS-25-900-48
	Protector de pared blanco de 48"	PUBS-25-907-48
	Protector de pared de calacatta procesada de 48"	PUBS-25-926-48
D	Lavabo	SN047B
E	Plantilla de lavamanos	SN047B-TEMPLATE
F	Puerta izquierda	1591VA-48-241-DOOR SET
G	Puerta derecha	
H	Estante central	1591VA-48-241-CENTER SHELF
I	Estante izquierdo	1591VA-48-241-LEFT SHELF
J	Estante derecho	1591VA-48-241-RIGHT SHELF
K	Tapa de corte para plomería del piso	241 FP LID
L	Panel de puerta de madera	PU21-1591VA-48-241-DOOR CENTER PANELS
M	Paneles de puerta de vidrio	
AA	Aplicador de retoque	OF-0010
BB	Perilla-níquel cepillado	1591-BN KNOB
	Perilla-latón champán	1591-CB KNOB
CC	Pasador de repisa	B1044
DD	Bisagra de curvatura grande	C-90-107
EE	Bisagra de curvatura media	C-90-109
FF	Nivelador	T-1007

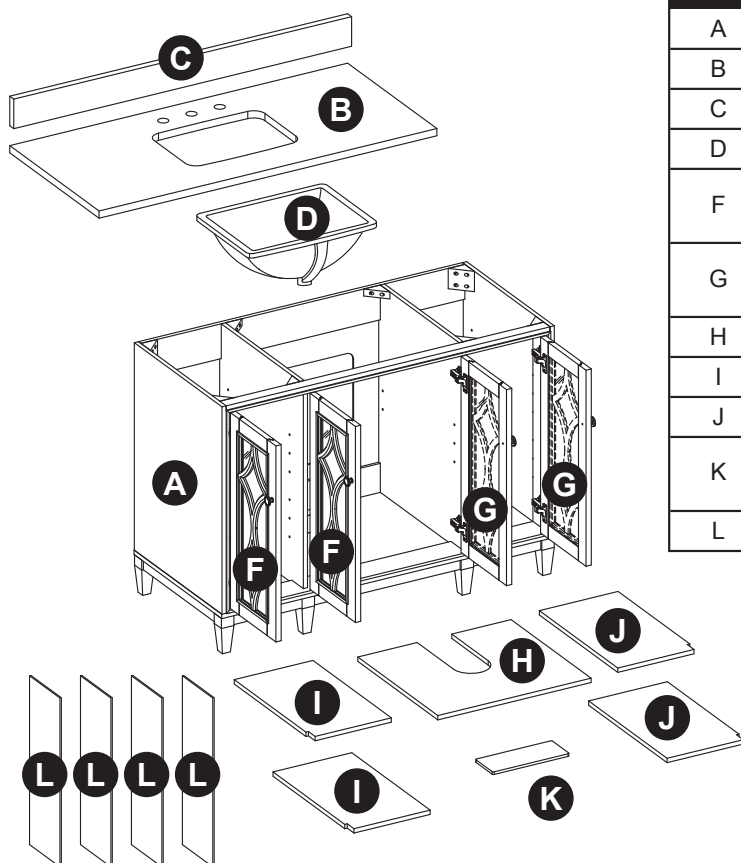
LISTA DE PIEZAS DE REPUESTO PARA 1591VA-48-247-SR (LAVABO SEMIEMPOTRABLE)

Para obtener piezas de repuesto, llame a nuestro Departamento de Servicio al Cliente al 1-855-571-1044, de lunes a viernes de 9:00 a.m. a 5:00 p.m., hora del Este.



PIEZA	DESCRIPCIÓN	PIEZA #
B	Juego completo de cubierta de mármol de Carrara de 48"	3500VT-48-900
	Juego completo de cubierta blanca de 48"	3500VT-48-907
	Juego completo de cubierta de calacatta procesada de 48"	3500VT-48-926
C	Protector de pared de mármol de Carrara de 48"	PUBS-25-900-48
	Protector de pared blanco de 48"	PUBS-25-907-48
	Protector de pared de calacatta procesada de 48"	PUBS-25-926-48
D	Lavabo	SN047B
E	Plantilla de lavamanos	SN047B-TEMPLATE
F	Puerta izquierda	1591VA-48-247-DOOR SET
G	Puerta derecha	
H	Estante central	1591VA-48-247-CENTER SHELF
I	Estante izquierdo	1591VA-48-247-LEFT SHELF
J	Estante derecho	1591VA-48-247-RIGHT SHELF
K	Tapa de corte para plomería del piso	247 FP LID
L	Panel de puerta de madera	PU21-1591VA-48-247-DOOR CENTER PANELS
M	Paneles de puerta de vidrio	
AA	Aplicador de retoque	OX-0950
BB	Perilla-níquel cepillado	1591-BN KNOB
	Perilla-negro mate	1591-MB KNOB
CC	Pasador de repisa	B1044
DD	Bisagra de curvatura grande	C-90-107
EE	Bisagra de curvatura media	C-90-109
FF	Nivelador	T-1007

CONTENIDO DEL PAQUETE (LAVABO EMPOTRABLE)



PIEZA	DESCRIPCIÓN	CANTIDAD	CARTÓN
A	Tocador	1	Caja 2 de 3
B	Cubierta	1	Caja 1 de 3
C	Protector contra salpicaduras	1	
D	Lavabo	1	Caja 3 de 3
F	Puerta izquierda (preensamblada al tocador (A))	2	Caja 2 de 3
G	Puerta derecha (preensamblada al tocador (A))	2	
H	Estante central	1	
I	Estante izquierdo	2	
J	Estante derecho	2	
K	Tapa de corte para plomería del piso	1	
L	Panel de puerta de madera	4	

ADITAMENTOS (NO SE MUESTRAN EN TAMAÑO REAL)

AA	BB	BB	HH	II	JJ	KK	LL
Aplicador de retoque Cant. 1	Perilla (2 opciones de 241) Níquel cepillado (Cant. 4) Latón champán (Cant. 4)	Perilla (2 opciones de 247) Níquel cepillado (Cant. 4) Negro mate (Cant. 4)	Perno Cant. 4	Soporte para fregadero Cant. 4	Tuerca Cant. 4	Arandela de seguridad Cant. 4	Llave inglesa Cant. 1

! INFORMACIÓN DE SEGURIDAD

Lea y comprenda completamente este manual antes de intentar ensamblar, usar o instalar el producto.

! ADVERTENCIA

- Hay varios pasos de ensamblaje, incluido el desembalaje, que requieren dos adultos.

PRECAUCIÓN

- Siga estas instrucciones detenidamente, tómese el tiempo necesario y tenga cuidado al ensamblar este tocador.

GUARDE ESTAS INSTRUCCIONES PARA REFERENCIA FUTURA.

PREPARACIÓN

Antes de comenzar a ensamblar el producto, asegúrese de tener todas las piezas. Compare las piezas con la lista del contenido del paquete y la lista de aditamentos. No intente ensamblar el producto si falta alguna pieza o si estas están dañadas.

Temps d'installation approximatif : 45 minutes (24 heures pour le séchage du calfeutrant à base de silicone).

Outils nécessaires pour l'installation (non inclus) : tournevis cruciforme, couteau à lame rétractable ou ciseaux, calfeutrant à base de silicone, perceuse électrique et foret, ruban à mesurer et niveau.

INSTRUCCIONES DE INSTALACIÓN (LAVABO EMPOTRABLE)

Nota: limpie el área donde se colocará el tocador (A) antes de comenzar con la instalación permanente y asegúrese de que el tocador (A) no interfiera con ningún suministro de agua ni desagües una vez montado.

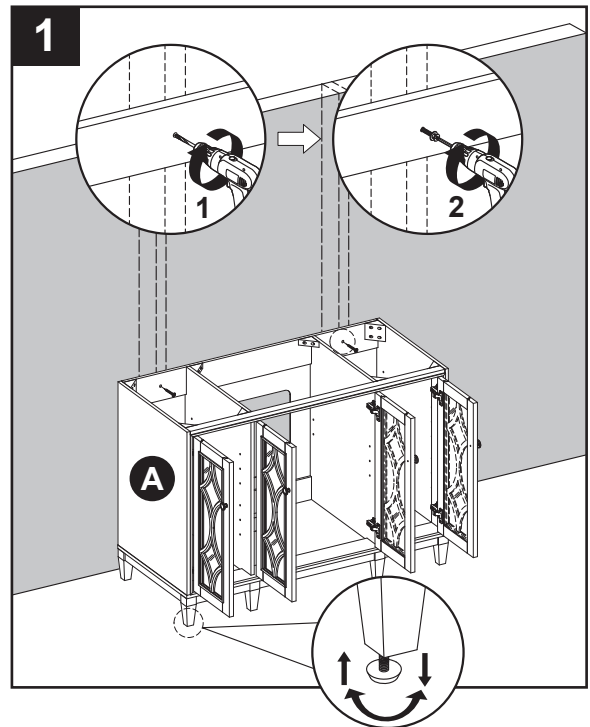
1. Con la ayuda de dos personas, coloque cuidadosamente el tocador (A) contra la pared en su ubicación definitiva. Mientras sostiene la base del tocador firmemente contra la pared, use los niveladores preensamblados en la parte inferior de cada pata del tocador (A) para nivelar el artículo. Si gira los niveladores en dirección contraria a las manecillas del reloj aumentará la altura del tocador (A); si los gira en dirección de las manecillas del reloj disminuirá la altura del tocador.

Una vez que el tocador esté en su lugar, contra la pared, y nivelado de adelante hacia atrás y de lado a lado, taladre un orificio a través del área de montaje del tocador y en los montantes de la pared (como se ilustra en el diagrama 1). Con los aditamentos de montaje adecuados (no se incluyen), fije el tocador (A) a un montante de la pared. Si es posible, fije el tocador (A) a dos montantes de pared para obtener mayor estabilidad.



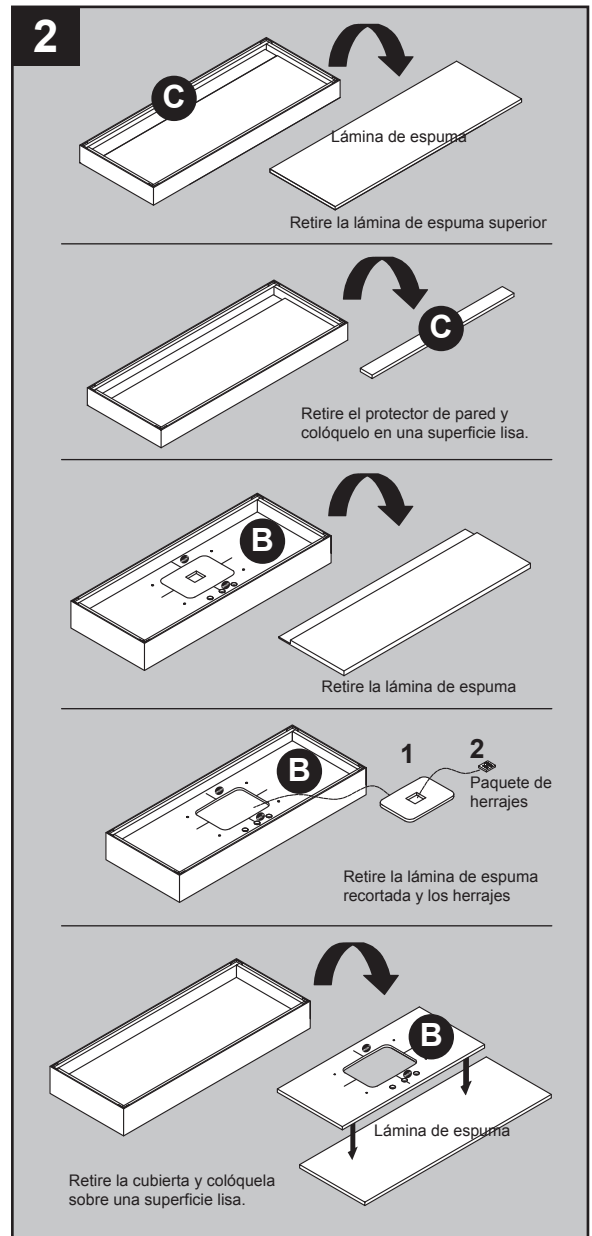
ADVERTENCIA

El tocador (A) **DEBE** fijarse a la pared.



INSTRUCCIONES DE INSTALACIÓN (LAVABO EMPOTRABLE)

2. Quite la parte superior (B) y el protector de pared (C) de acuerdo con los pasos indicados por los diagramas de la derecha, y colóquelos boca abajo sobre una superficie lisa, como la lámina de espuma incluida en el paquete.

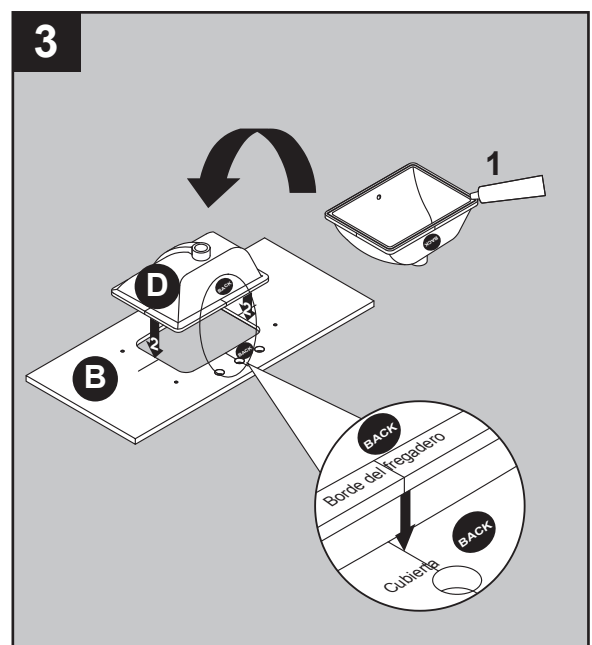


3. Coloque el masilla de calafateo de silicona (no se incluye) en el borde superior del fregadero (D). Con la ayuda de otro adulto, baje el fregadero hacia la parte posterior de la cubierta de piedra.

Asegúrese de que el orificio de desborde del fregadero esté en la parte delantera de la cubierta de piedra.

Asegúrese de alinear bien el fregadero con la cubierta de piedra recortada, lo que permite un saliente de piedra uniforme en el frente, la parte posterior y los lados del fregadero de cerámica (D).

Nota: para instalar el fregadero en la parte superior correctamente, asegúrese de que los dos sellos "BACK" (Parte posterior) en el fregadero y parte superior estén alineados en los mismos lados. Utilice las líneas de guía marcadas en el fregadero y en el lado inferior de la cubierta de piedra para ayudar con la ubicación del fregadero.

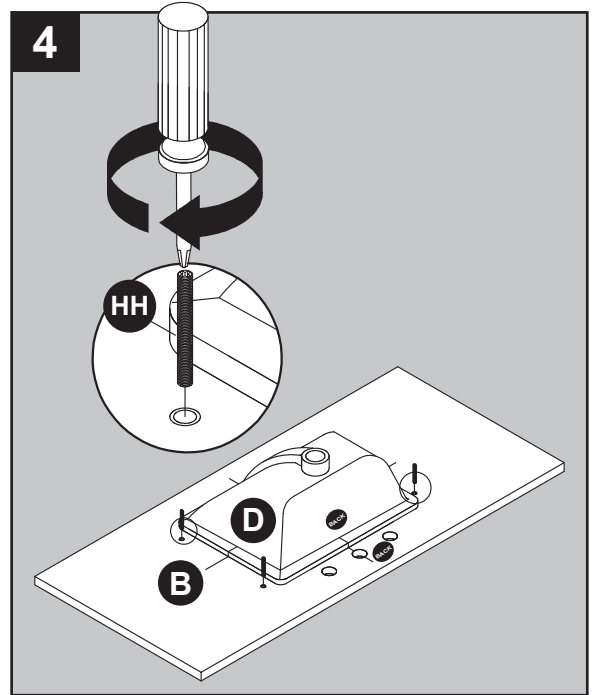


INSTRUCCIONES DE INSTALACIÓN (LAVABO EMPOTRABLE)

4. Atornille los pernos (HH) en los orificios roscados de la cubierta de piedra (B).

Aditamentos utilizados

HH Perno  x 4

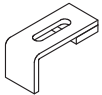



5. Coloque los soportes para fregadero (II) sobre los pernos (HH) y déjelos reposar sobre el borde del fregadero. Ajuste la ubicación del soporte para sujetar firmemente el borde del fregadero. Coloque las arandelas de seguridad (KK) sobre los pernos (HH) y asegúrelas con tuercas (JJ). Apriete a mano las tuercas (JJ) con la llave inglesa incluida (LL).


NO APRIETE DEMASIADO.


Consejo: antes de permitir que la masilla de calafateo de silicona se seque, verifique que la ubicación del fregadero esté bien centrada de adelante hacia atrás y de lado a lado en la cubierta de piedra cortada. Si el fregadero no está bien centrado, desenrosque las abrazaderas del fregadero, vuelva a ajustar la posición del fregadero y apriete de nuevo los soportes para fregadero.

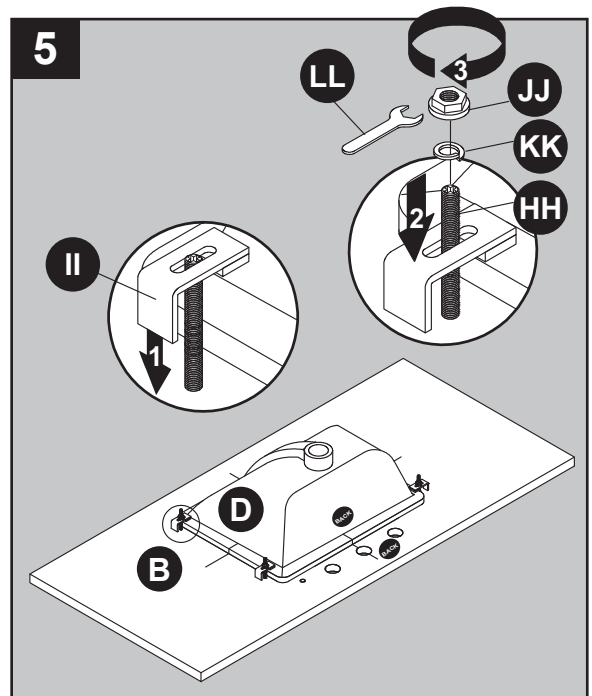
Aditamentos utilizados

II Soporte para fregadero  x 4

JJ Tuerca  x 4

KK Arandela de seguridad  x 4

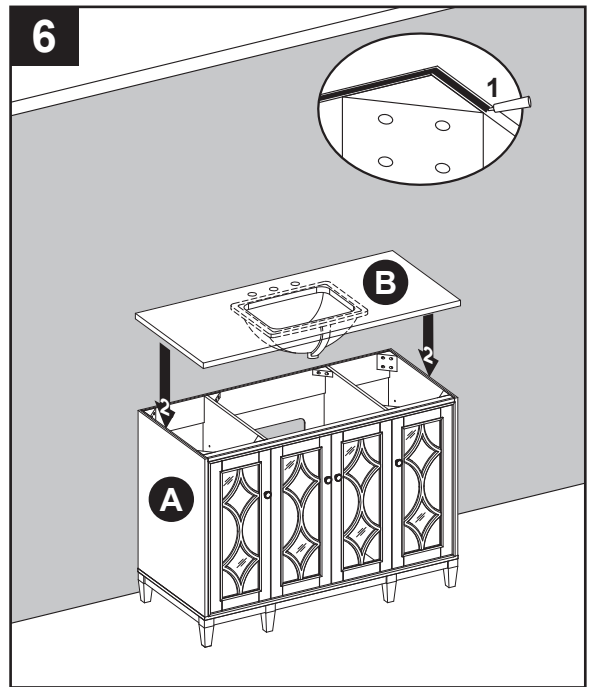
LL Llave inglesa  x 1



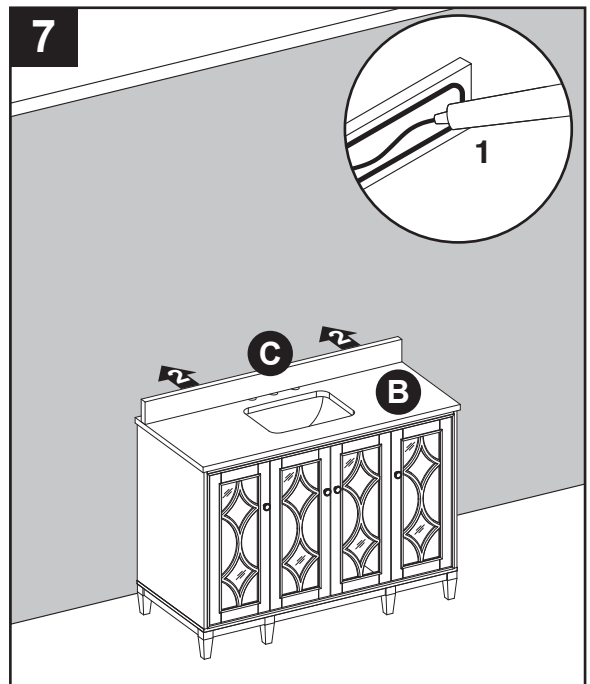
INSTRUCCIONES DE INSTALACIÓN (LAVABO EMPOTRABLE)

Consejo útil: puede que sea más fácil que instale el grifo que ha elegido (no incluido) antes de asegurar la encimera (B) al armario de lavabo (A).

6. Para instalar la encimera (B) al armario de lavabo (A). Aplique masilla de silicona al borde superior del armario de madera. Con ayuda de otro adulto, baje con cuidado la encimera de piedra con el fregadero ensamblado en el armario. Asegúrese de que la encimera de piedra esté al ras con la parte trasera del armario de madera y que el saliente de piedra sea igual en ambas partes sobre la cara izquierda y derecha del armario de madera. Retire la masilla sobrante antes de que se seque.



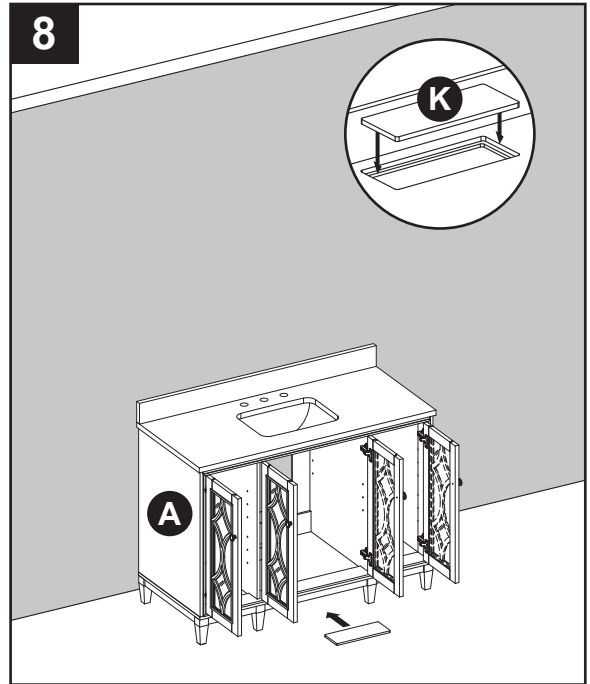
7. Coloque masilla de calafateo de silicona (no se incluye) en el lado inferior y sin pulir del protector contra salpicaduras (C). Coloque el protector contra salpicaduras (C) sobre la cubierta (B) y pegado a la pared. Limpie cualquier exceso de masilla de calafateo antes de permitir que se seque.



INSTRUCCIONES DE INSTALACIÓN (LAVABO EMPOTRABLE)

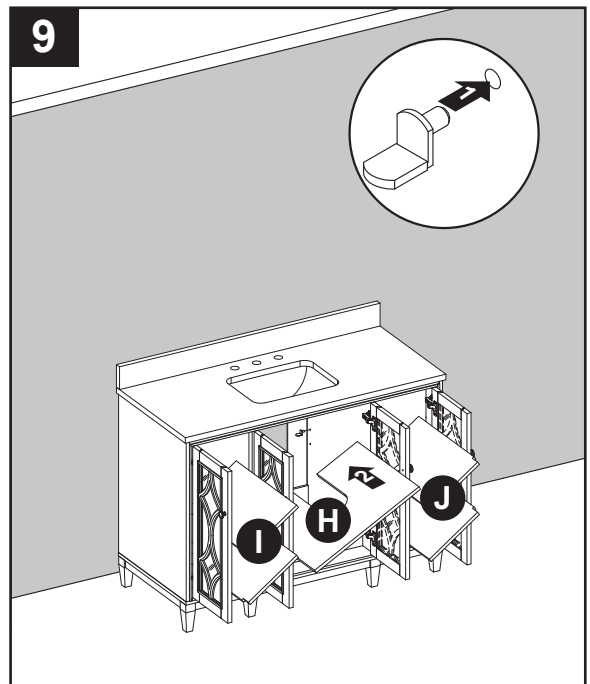
8. La parte posterior del tocador está abierta para contar con accesibilidad a las conexiones de drenajes y líneas de agua. Si la plomería sale de la pared posterior, inserte la tapa de corte de plomería del piso (K), como se muestra en la Ilustración 8. Esto cerrará el orificio y aumentará su espacio de almacenamiento.

Si la plomería sale del piso, este orificio brinda accesibilidad para el drenaje y la conexión de la línea de agua.



9. Desde la parte delantera del ensamblaje, coloque los soportes para estante a la altura deseada y asegúrese de que queden nivelados. Coloque el estante central (H) en la parte superior de los soportes para estante.

Repita el procedimiento con el estante izquierdo (I) y el estante derecho (J) restante.



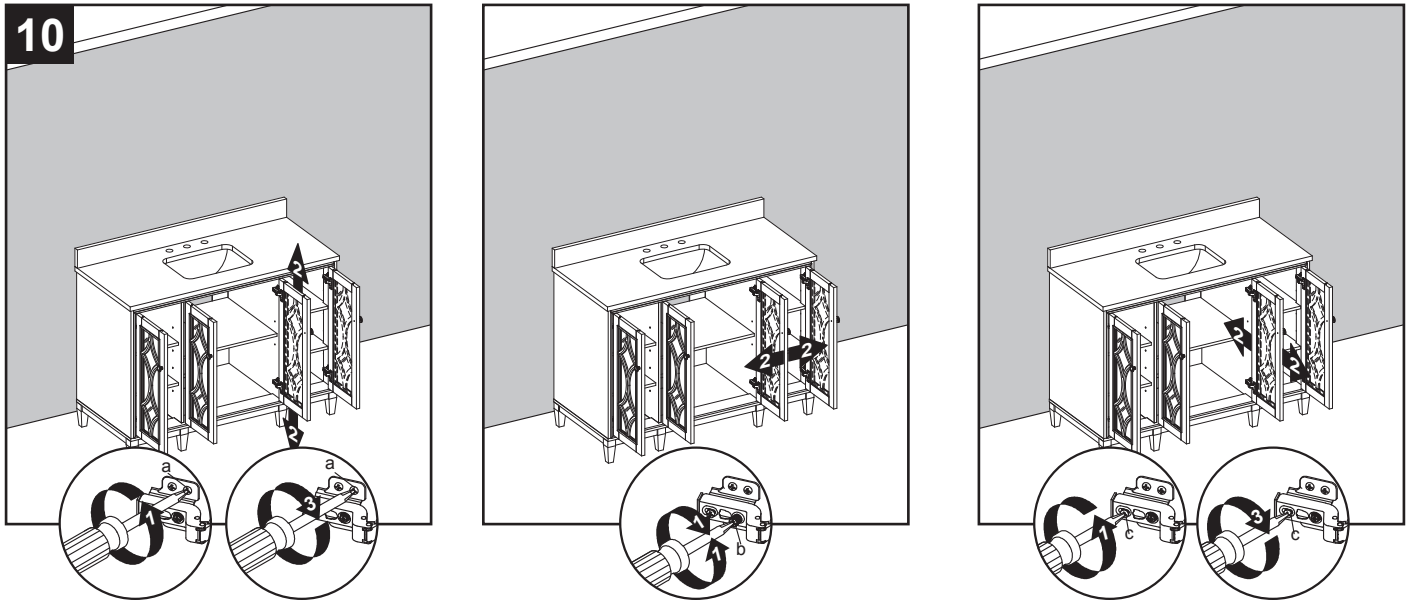
INSTRUCCIONES DE INSTALACIÓN (LAVABO EMPOTRABLE)

10. Si necesita ajustar las puertas, hágalo de la siguiente manera.

Para ajustar las puertas hacia arriba o abajo, afloje los tornillos (a) en ambas bisagras, ajuste la puerta y vuelva a apretar los tornillos.

Para ajustar las puertas hacia la derecha o la izquierda, gire los tornillos en ambas bisagras (b) hacia adentro y afuera.

Para ajustar las puertas hacia adentro o afuera, afloje los tornillos (c) en ambas bisagras, ajuste la puerta y vuelva a apretar los tornillos.



Nota: este gabinete de tocador viene con dos opciones diferentes de perillas.

11. En la caja hay un juego de perillas (BB) empaquetados por separado. Si desea cambiar las perillas, simplemente retire las perillas instaladas y coloque la otra terminación, como se ilustra en el diagrama.

Ya ha terminado el ensamblaje. Instale los ensambles del grifo y el desagüe (no se incluyen) según las instrucciones del fabricante para completar la instalación.

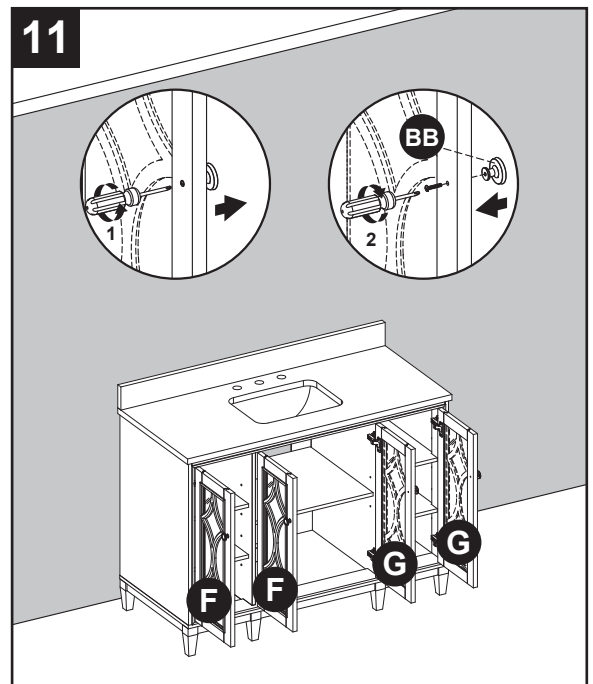
Aditamentos utilizados

BB

Perilla



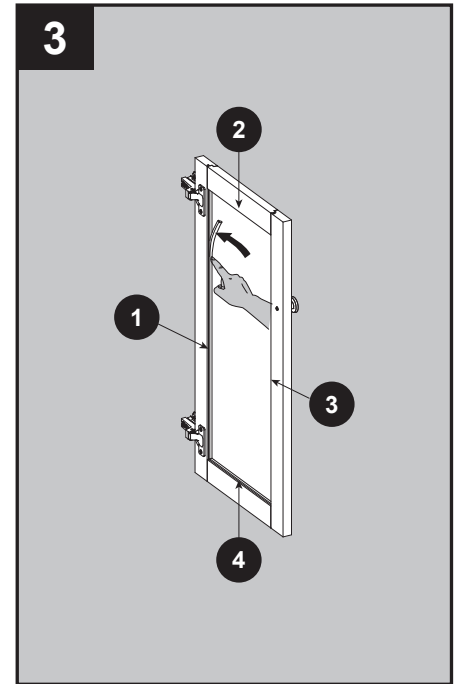
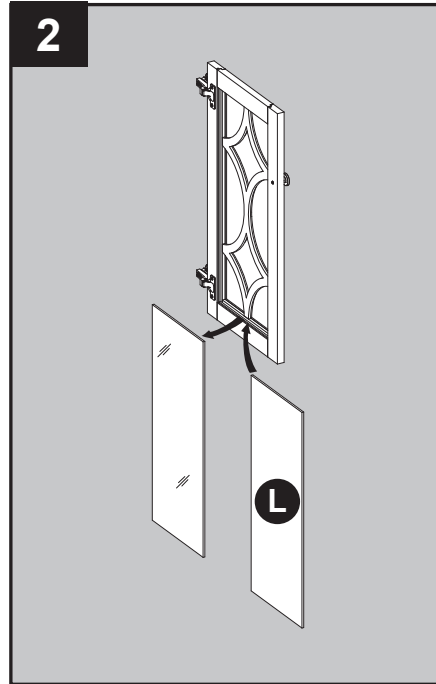
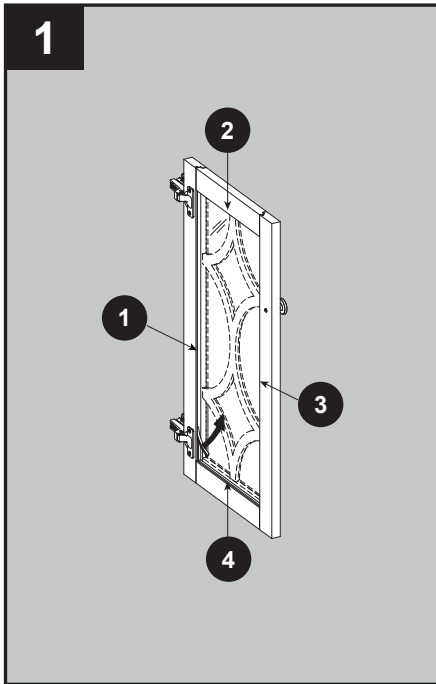
x 4



CAMBIO DE LOS PANELES DE PUERTAS (OPCIONAL) (LAVABO EMPOTRABLE)

Los paneles de puerta de vidrio preinstalados se pueden cambiar con los paneles de puerta de madera (L) incluidos.

1. Retire la moldura de silicona de los bordes exteriores del panel de vidrio en el interior de la puerta. Comience en una esquina y jale para retirar las cuatro piezas. Tenga cuidado de no dañar la moldura de silicona, ya que se utilizará para asegurar el nuevo panel.
2. Retire el panel de vidrio del marco para puerta, luego inserte el panel de puerta de madera incluido (L).
3. Con el dedo, presione la moldura de silicona en su lugar. Muévase alrededor del borde exterior de los paneles hasta que los cuatro lados estén seguros.



CUIDADO Y MANTENIMIENTO

- Limpie el tocador regularmente con un paño suave que no deje pelusas o con un producto de limpieza doméstico.
- Puede limpiar el tocador con un limpiador doméstico suave no abrasivo.
- Asegúrese de secar la madera inmediatamente con un paño o una toalla suave.
- La cubierta de piedra se puede limpiar con limpiadores para mármol estándar disponibles en su tienda local.
- Consejos para usar el aplicador de retoque (AA): para rayones, aplique en la dirección del rayón; para áreas desgastadas, aplique en la dirección de la veta de madera. Frote el exceso de colorante rápidamente con un paño suave para retirarlo.

IMPORTANTE

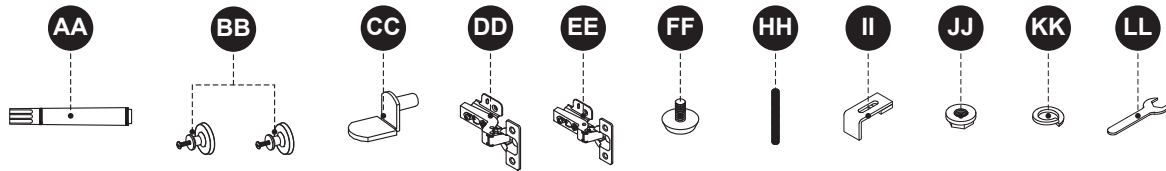
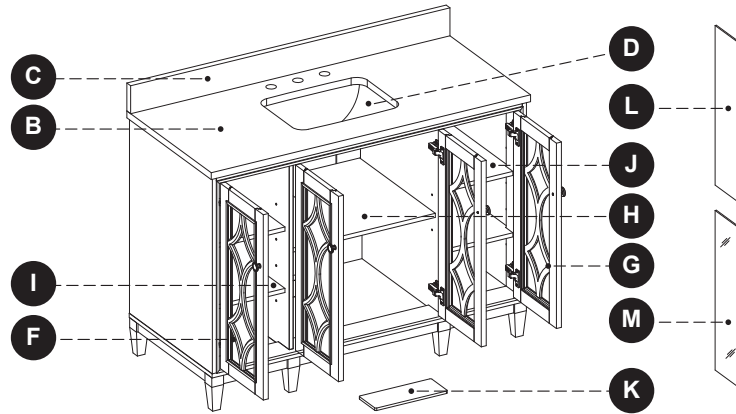
- La variación en el tono y diseño es una característica propia de la piedra (como en el caso del granito, el mármol y la piedra procesada). Las cubiertas de piedra varían de un producto a otro. Tenga cuidado al colocar artículos como jabón o cualquier material perfumado en la superficie de piedra. Utilice una jabonera, un posavasos o un artículo similar para proteger la superficie al colocar jabón o productos con alguna fragancia sobre la piedra.
- Si el jabón o los productos con alguna fragancia entran en contacto con la superficie de piedra, enjuague el área con agua y seque usando un paño suave de material no abrasivo.
- **ADVERTENCIA:** se deben usar agentes de limpieza aptos para la piedra. Revise las restricciones de uso de los agentes de limpieza antes de usar sobre cualquier piedra. Se pueden producir daños a la piedra. El fabricante del tocador no es responsable de los daños provocados por agentes de limpieza o jabones inadecuados utilizados. La garantía no cubrirá los daños provocados por el uso de jabones o agentes de limpieza inadecuados.
- **NO** utilice productos que contengan acetona, limón, vinagre u otros ácidos para limpiar la parte superior de piedra, ya que estos pueden dañar la superficie de piedra.
- Vuelva a sellar la cubierta de piedra de forma periódica con un sellador de piedra, disponible en la tienda más cercana a su domicilio. Siga las instrucciones del fabricante sobre cómo aplicar el artículo.

GARANTÍA

El fabricante garantiza que este artículo está libre de defectos en los materiales y la mano de obra por un período de un (1) año a partir de la fecha de compra original. Esta garantía es válida solo para el comprador original. Esta garantía no se aplica si el producto ha sido dañado por accidentes o uso indebido, modificación o instalación incorrecta, o a causa de elementos accesorios que no son del fabricante. El fabricante no será responsable por daños causados de limpiadores o jabones que produzcan decapado o manchas en la cubierta de piedra. El fabricante no asume ningún tipo de responsabilidad por la instalación del producto durante el período de garantía. No existe otro tipo de garantía explícita. El fabricante no será legalmente responsable por daños accidentales, especiales o resultantes que surjan o se relacionen con el uso o rendimiento del producto, excepto que la ley indique lo contrario. El fabricante rechaza cualquiera y todas las garantías implícitas.

LISTA DE PIEZAS DE REPUESTO PARA 1591VA-48-241-UM (LAVABO EMPOTRABLE)

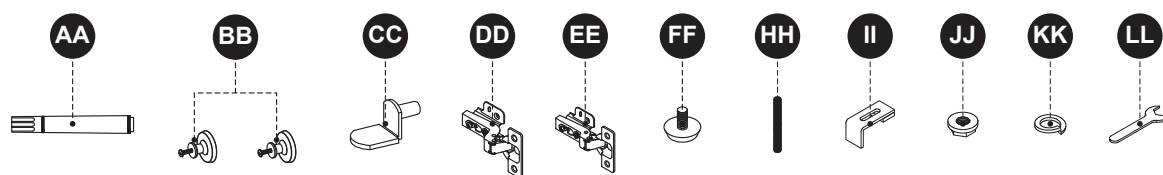
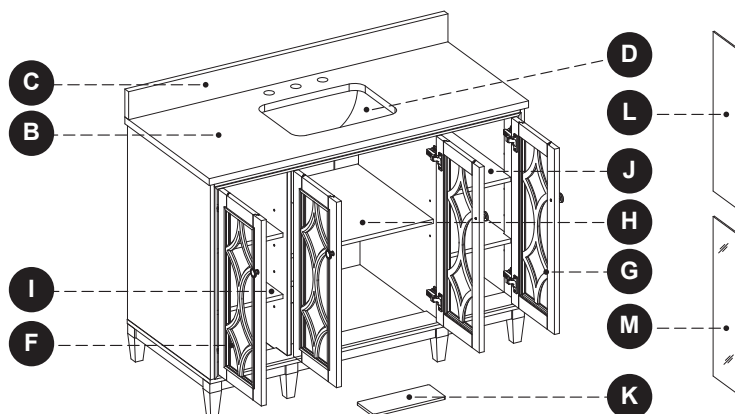
Para obtener piezas de repuesto, llame a nuestro Departamento de Servicio al Cliente al 1-855-571-1044, de lunes a viernes de 9:00 a.m. a 5:00 p.m., hora del Este.



PIEZA	DESCRIPCIÓN	PIEZA #
B	Juego completo de cubierta de mármol de Carrara de 48"	2500VT-48-900
	Juego completo de cubierta blanca de 48"	2500VT-48-907
	Juego completo de cubierta de calacatta procesada de 48"	2500VT-48-926
C	Protector de pared de mármol de Carrara de 48"	PUBS-25-900-48
	Protector de pared blanco de 48"	PUBS-25-907-48
	Protector de pared de calacatta procesada de 48"	PUBS-25-926-48
D	Lavabo	PU17-18X14-SQUARE
F	Puerta izquierda	1591VA-48-241-DOOR SET
G	Puerta derecha	
H	Estante central	1591VA-48-241-CENTER SHELF
I	Estante izquierdo	1591VA-48-241-LEFT SHELF
J	Estante derecho	1591VA-48-241-RIGHT SHELF
K	Tapa de corte para plomería del piso	241 FP LID
L	Panel de puerta de madera	PU21-1591VA-48-241-DOOR CENTER PANELS
M	Paneles de puerta de vidrio	
AA	Aplicador de retoque	OF-0010
BB	Perilla-níquel cepillado	1591-BN KNOB
	Perilla-latón champán	1591-CB KNOB
CC	Pasador de repisa	B1044
DD	Bisagra de curvatura grande	C-90-107
EE	Bisagra de curvatura media	C-90-109
FF	Nivelador	T-1007
HH	Perno	GTC-SINK CLIPS
II	Soporte para fregadero	
JJ	Tuerca	
KK	Arandela de seguridad	
LL	Llave inglesa	

LISTA DE PIEZAS DE REPUESTO PARA 1591VA-48-247-UM (LAVABO EMPOTRABLE)

Para obtener piezas de repuesto, llame a nuestro Departamento de Servicio al Cliente al 1-855-571-1044, de lunes a viernes de 9:00 a.m. a 5:00 p.m., hora del Este.



PIEZA	DESCRIPCIÓN	PIEZA #
B	Juego completo de cubierta de mármol de Carrara de 48"	2500VT-48-900
	Juego completo de cubierta blanca de 48"	2500VT-48-907
	Juego completo de cubierta de calacatta procesada de 48"	2500VT-48-926
C	Protector de pared de mármol de Carrara de 48"	PUBS-25-900-48
	Protector de pared blanco de 48"	PUBS-25-907-48
	Protector de pared de calacatta procesada de 48"	PUBS-25-926-48
D	Lavabo	PU17-18X14-SQUARE
F	Puerta izquierda	1591VA-48-247-DOOR SET
G	Puerta derecha	
H	Estante central	1591VA-48-247-CENTER SHELF
I	Estante izquierdo	1591VA-48-247-LEFT SHELF
J	Estante derecho	1591VA-48-247-RIGHT SHELF
K	Tapa de corte para plomería del piso	247 FP LID
L	Panel de puerta de madera	PU21-1591VA-48-247-DOOR CENTER PANELS
M	Paneles de puerta de vidrio	
AA	Aplicador de retoque	OX-0950
BB	Perilla-níquel cepillado	1591-BN KNOB
	Perilla-negro mate	1591-MB KNOB
CC	Pasador de repisa	B1044
DD	Bisagra de curvatura grande	C-90-107
EE	Bisagra de curvatura media	C-90-109
FF	Nivelador	T-1007
HH	Perno	GTC-SINK CLIPS
II	Soporte para fregadero	
JJ	Tuerca	
KK	Arandela de seguridad	
LL	Llave inglesa	