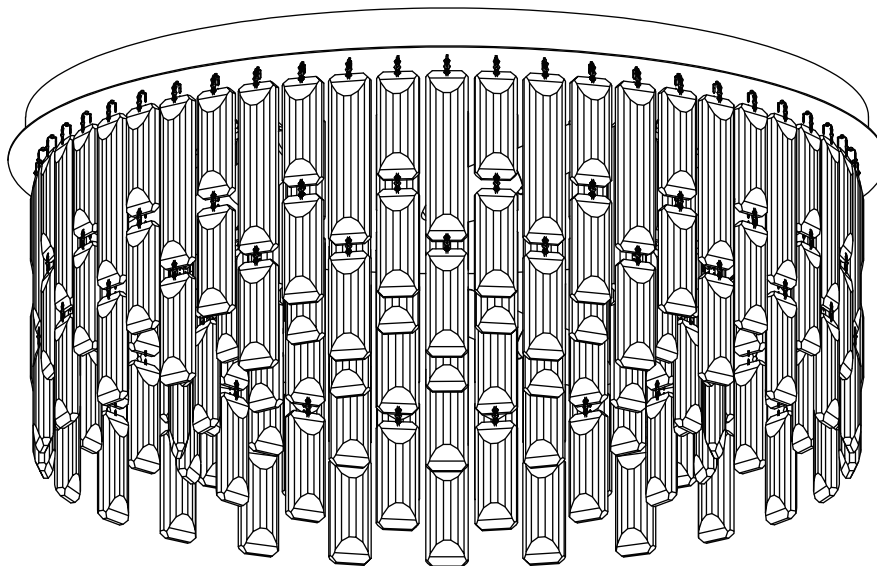


# CHANDELIER



# INSTALLATION MANUAL



Scan for Installation Video

## TOOLS REQUIRED



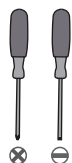
Ladder



Pliers



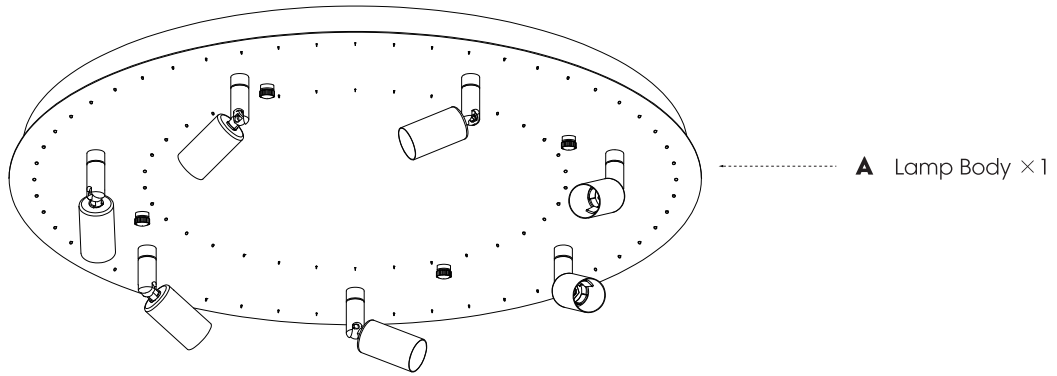
Wire Strippers



Screwdrivers

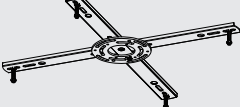










# 01

# PACKING LIST



# 02

# INSTALLATION KIT

<b>AA</b> 1×  Mounting Bracket	<b>BB</b> 2×  Outlet Box Screw	<b>CC</b> 1×  Ground Screw	<b>DD</b> 3×  Wire Nut	<b>EE</b> 4×  Knurled Nut
<b>FF</b> 2×  Flat Washer	<b>GG</b> 4×  Wood Screw	<b>HH</b> 4×  Plastic Anchor	<b>II</b> 45×  Crystal A	<b>JJ</b> 45×  Crystal B
<b>KK</b> 1×  Gloves				

**NOTE:**

1. CC is pre-installed on AA, AA/EE is pre-installed on Lamp Body (A).
2. II/JJ has two spare parts as backup.

# 03

# MOUNTING AND WIRE

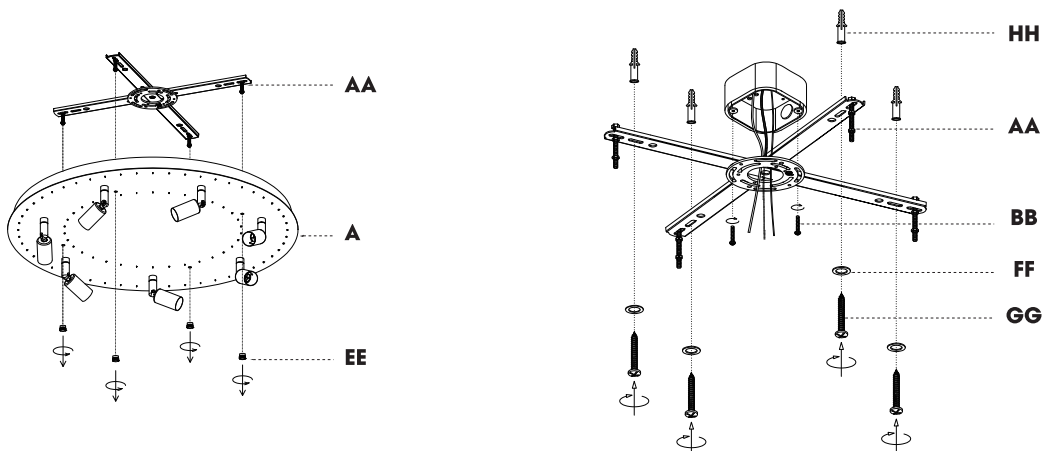
## 1. Install the Mounting Bracket

Step 1. Loosen the Knurled Nut (EE) from the Fixture Body (A), and take out the Mounting Bracket (AA).

Step 2. Plan the holes for the Mounting Bracket (AA) first, then place the Plastic Anchor (HH) inside the punched holes.

Step 3. Take off the screws from the outlet box, and secure the Mounting Bracket (AA) onto the box with the screws taken off or Outlet Box Screw (BB).

Step 4. Pass the Wood Screws (GG) through Flat Washer (FF) and the Mounting Bracket (AA) and then screw them into the Plastic Anchor (HH).

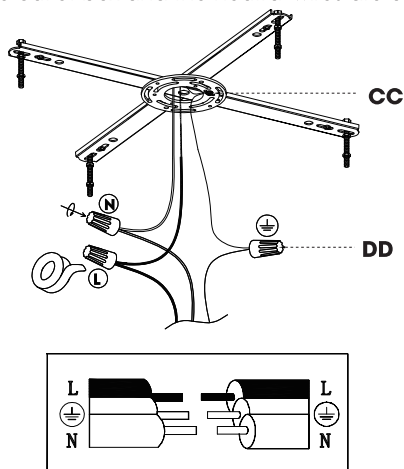


## 2. Connect the Wires

Step 1. Wrap the ground wire from the outlet box around the Ground Screw (CC) on the Mounting Bracket (AA), and then connect the ground wire from the fixture to the ground wire from the outlet box.

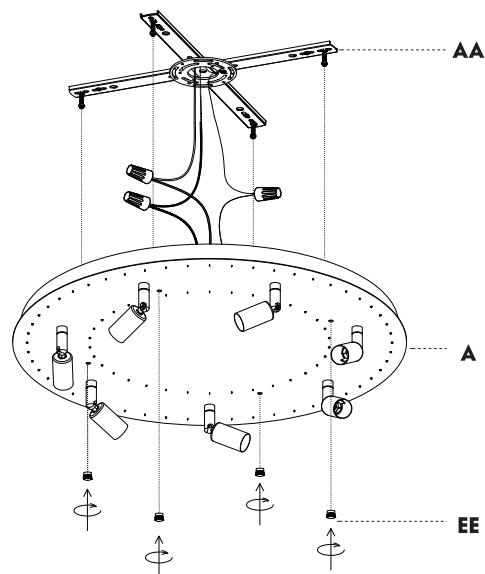
Step 2. Connect the wires from the fixture to the house supply wires, neutral (white) to neutral wire, and hot (black) to hot wire.

Step 3. Spread apart the wires so that the hot wires are on one side of the outlet box and the neutral wires are on the other.



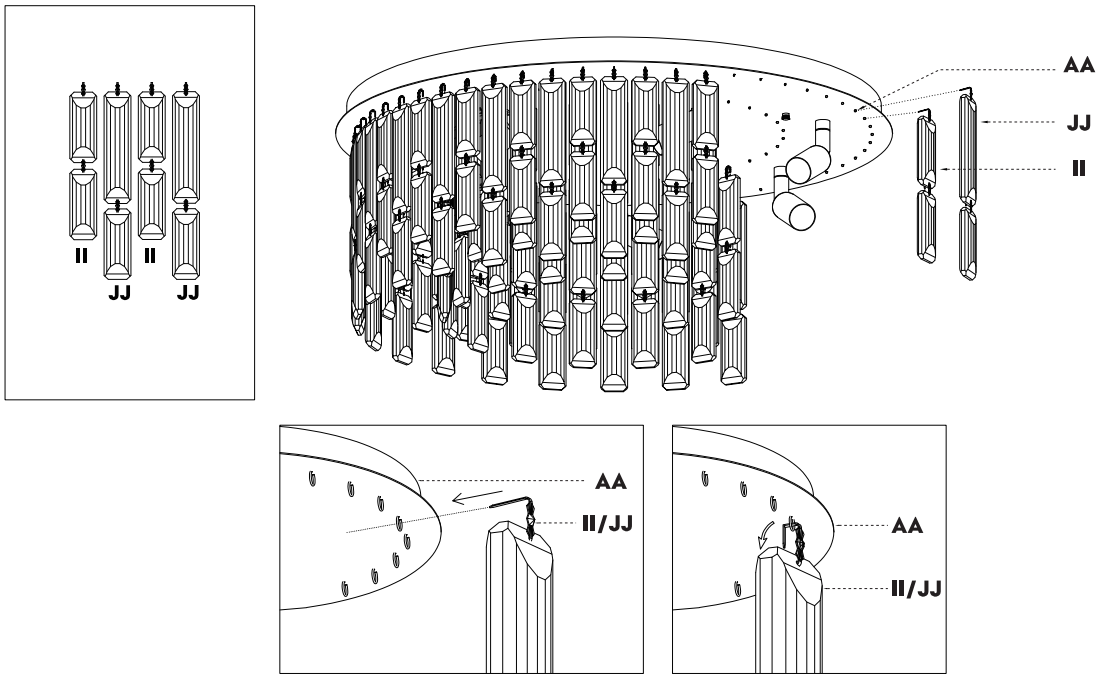
## 3. Install the Fixture Body

Install the Fixture Body (A) onto the Mounting Bracket (AA) with the Knurled Nut (EE).



## 4. Install the Crystals

Step 1. Thread the Staple Clip of the Crystal A (II) and Crystal B (JJ) through the Fixture Body (A) and bend to secure.  
Step 2. Arrange the crystals in the sequence "II/JJ/II/JJ" and repeat this group order.



## 5. Install the Bulbs

Install the E12 bulbs (not included) ×7, Max 40W each, LED recommended (not included).

### NOTE:

This lamp uses E12 bulbs up to 40W.

Fully dimmable when used with dimmable bulbs and compatible dimming switches (not included).

