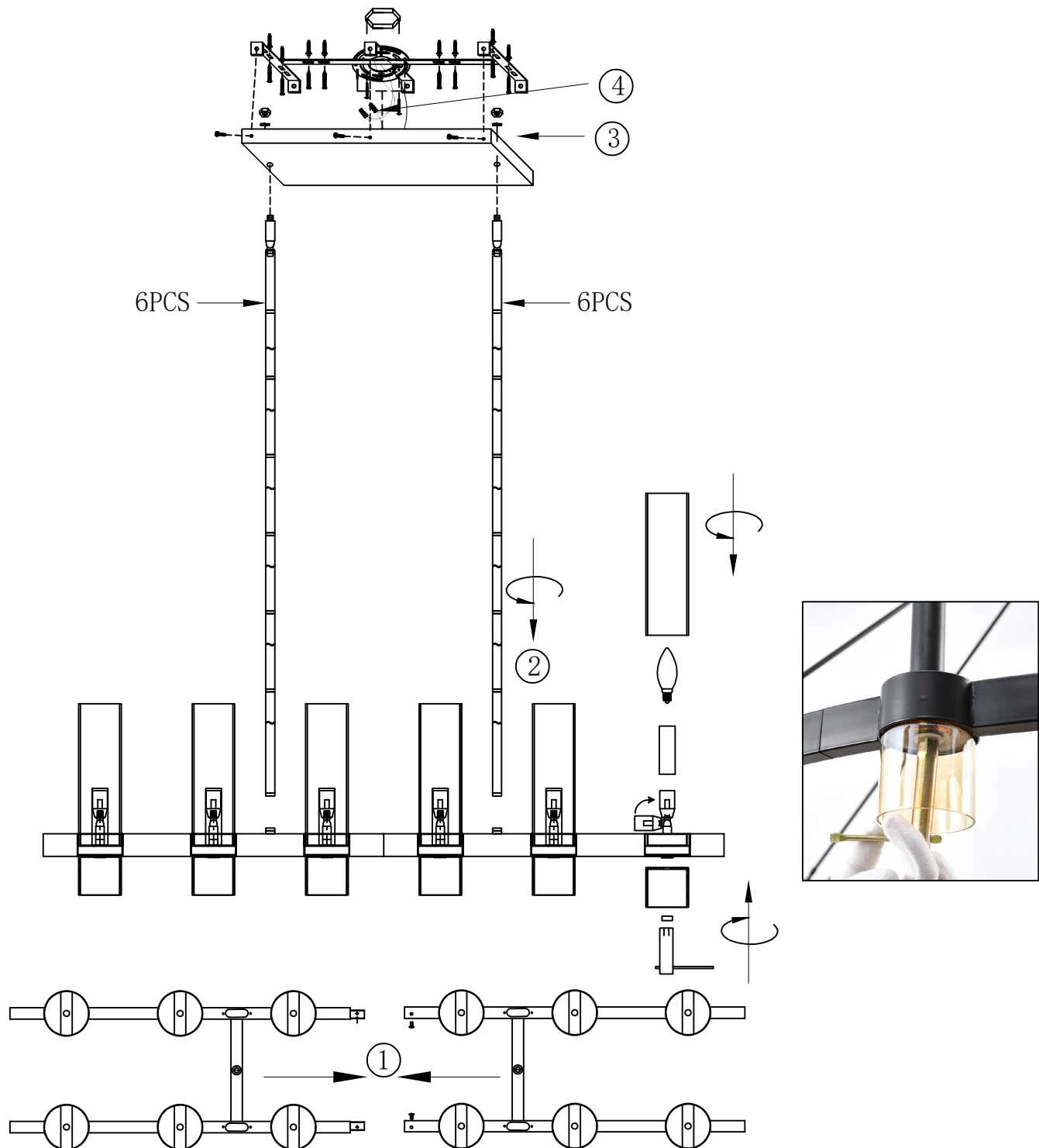


Product Installation Manual

WARNING - if any Special Control Devices are used with this Fixture, Follow the instructions Carefully to assure full compliance With N.E.C.requirements. if there are any questions, contact a Qualified Electrical Contractor,



1. AC85~110V ,50~60Hz.The Max lamps power is 40W TYPE **B** Bulb,
2. Avoid to scratch the surface of lighting and the wires when install it.
3. Connect the live wire with the black wire, the zero wire with the white wire, and wrap the bare copper wire on the green screw with the symbol (L-L, N-N.)
4. Don't install it to the ceiling before it's completely dry, the surrounding around must be ventilated and dry.
- 5.Keep away from the acid, basily objeds and gases, clean withsoft cloth, water washing is not allowed.
- 6.The lighting must be installed by professinal electrican and used indoor only
7. Please keep attention to cut off the power supply when installing cleaning. and replacing bulb.