

AXOR ShowerSolutions

Shelf 5" x 5"

Finishes : **chrome** Part no. : **40872000**



Description

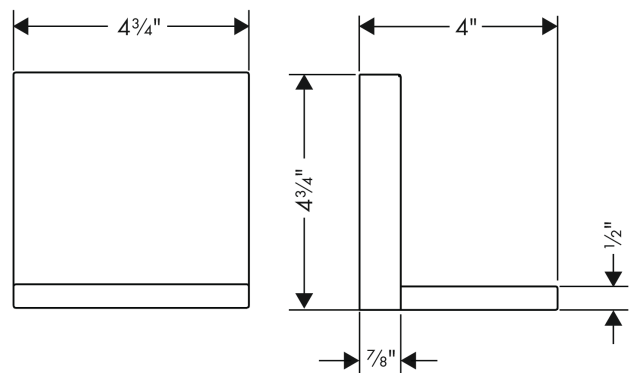
Features

- Metal
- When positioning the shelf between waterconducting parts (no.10755XXX, no.10751XXX, no.10942XXX, no.10972XXX, no.10651XXX, no.28491XXX) in joined installation (10mm distance), it is recommended to use basic set no.40877180
- Suitable for installation with or without basic set # 40877180
- For use with either vertical or horizontal installation of the basic set

Product image



Scale drawing



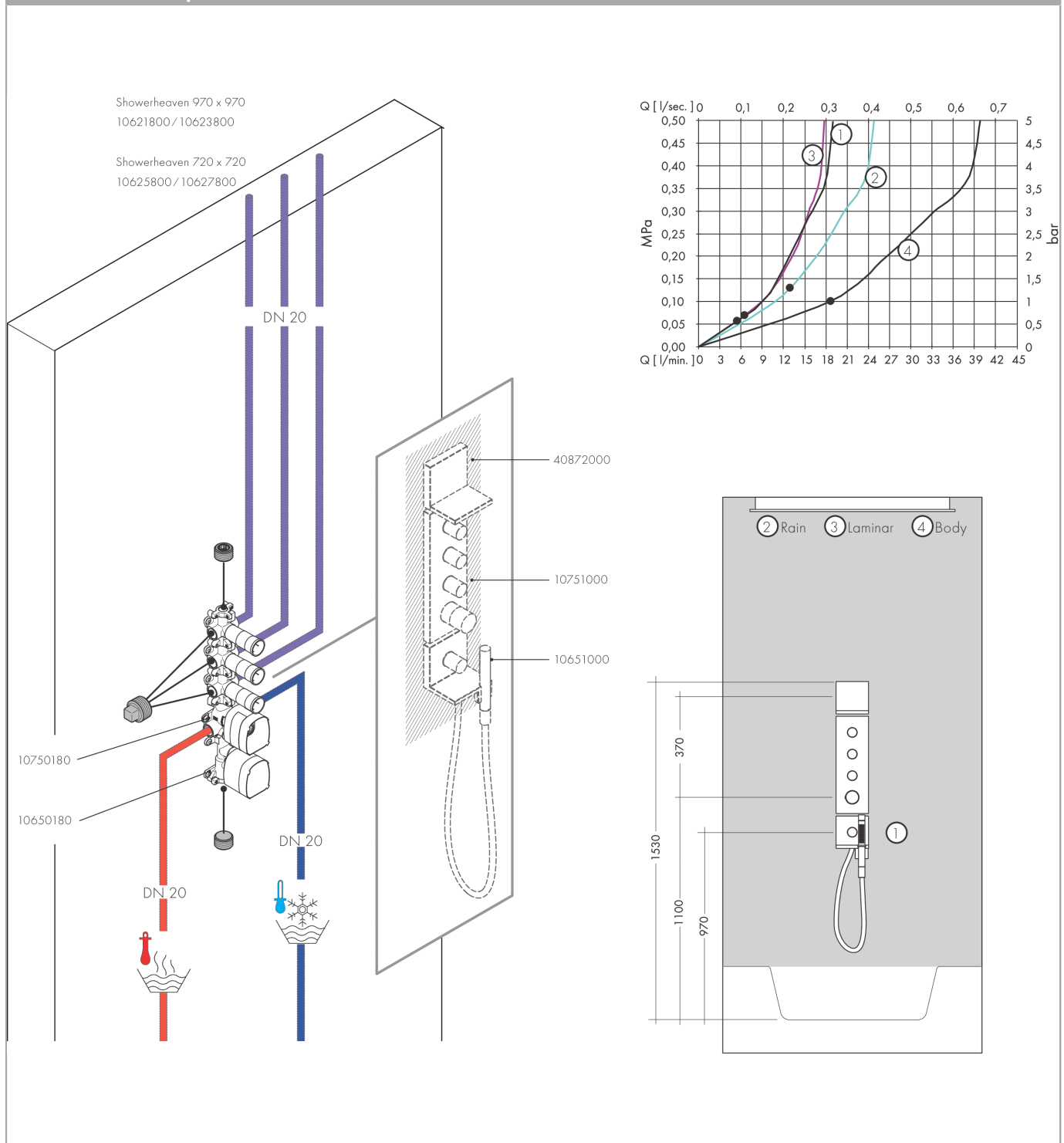
AXOR ShowerSolutions

Shelf 5" x 5"

Finishes : **chrome** Part no. : **40872000**



Installation example



AXOR ShowerSolutions

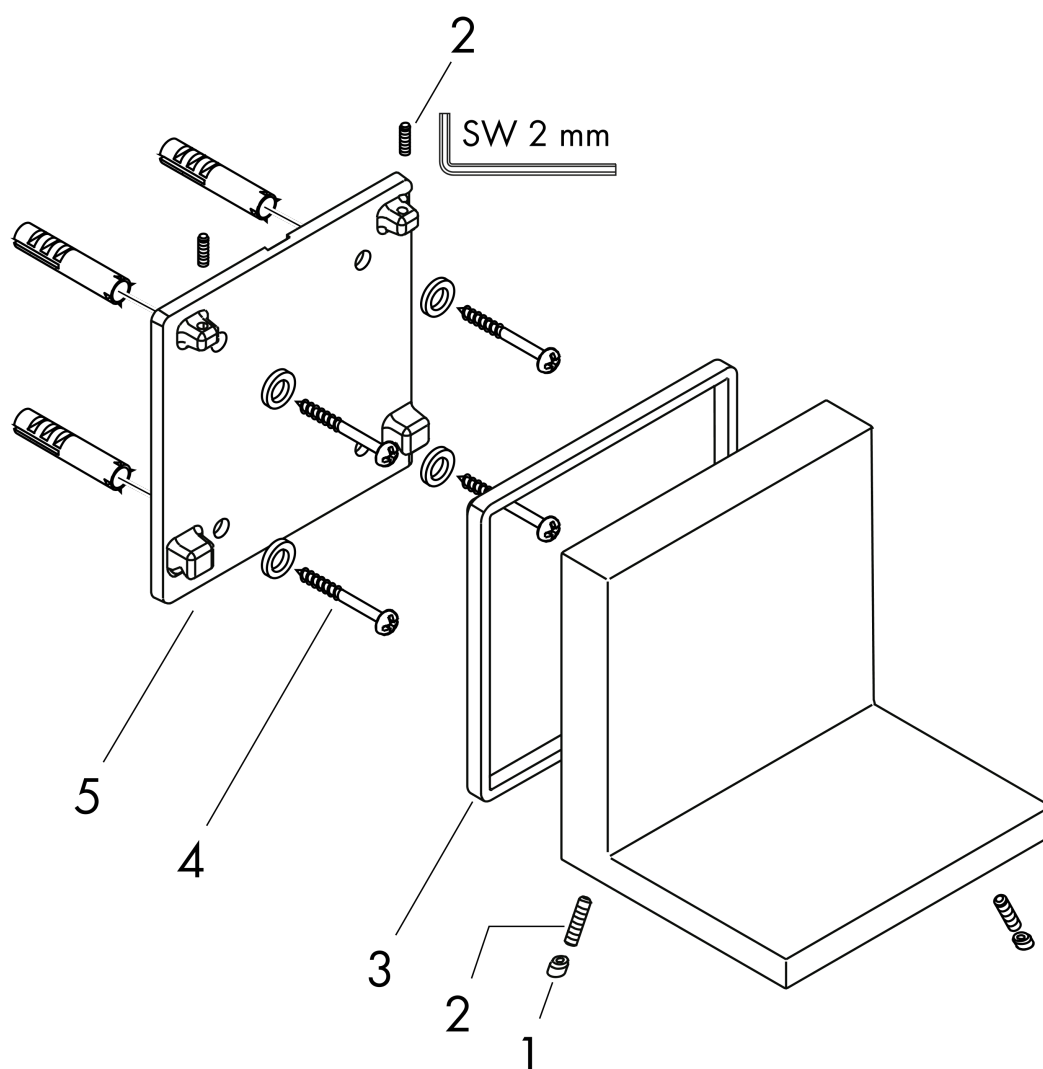
Shelf 5" x 5"

Finishes : **chrome** Part no. : **40872000**



Exploded drawing

Year of production: >01/09



AXOR ShowerSolutions

Shelf 5" x 5"

Finishes : **chrome** Part no. : **40872000**



Spare parts list

Year of production: >01/09

Pos.	Description	Part no.	PC	PU
1	screw cover	96338000	0	1
2	hollow set screw M4x16	97663000	0	1
3	seal	97737000	0	1
4	mounting set	96179000	0	1
5	support element	95312000	0	1