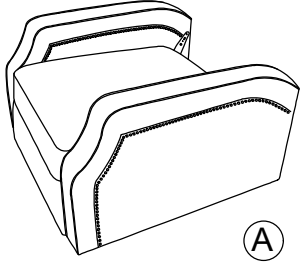
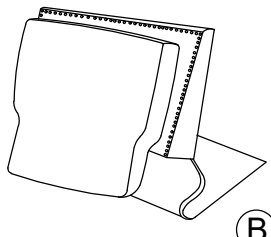
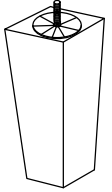
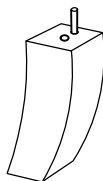
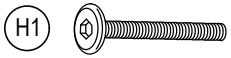





ASSEMBLY INSTRUCTIONS

ITEM # : 40033 - 15

- 40033-15-01 PROTICO PUSH BACK RECLINER MARBLE**
- 40033-15-02 PROTICO PUSH BACK RECLINER COCONUT**
- 40033-15-03 PROTICO PUSH BACK RECLINER ICE**
- 40033-15-04 PROTICO PUSH BACK RECLINER GREY**
- 40033-15-05 PROTICO PUSH BACK RECLINER CHOCOLA**

PROTICO PUSH BACK RECLINER PART LIST

| | | |
|---|--|--|
|  <p>SEAT x 1</p> |  <p>BACK REST x 1</p> |  <p>FRONT LEGS x 2</p> |
|  <p>BACK LEGS x 2</p> |  <p>ALLEN BOLT x 2 (Ø5/16" *76 MM)</p> |  <p>SPRING WASHER x 2 (Ø5/16")</p> |
|  <p>FLAT WASHER x 2 (Ø5/16")</p> |  <p>ALLEN KEY x 1 (M4)</p> | |

Customer Service Contact Information:

Toll Free Phone Number: 1-844-771-2727

Email: consumercare@lanefurniture.com

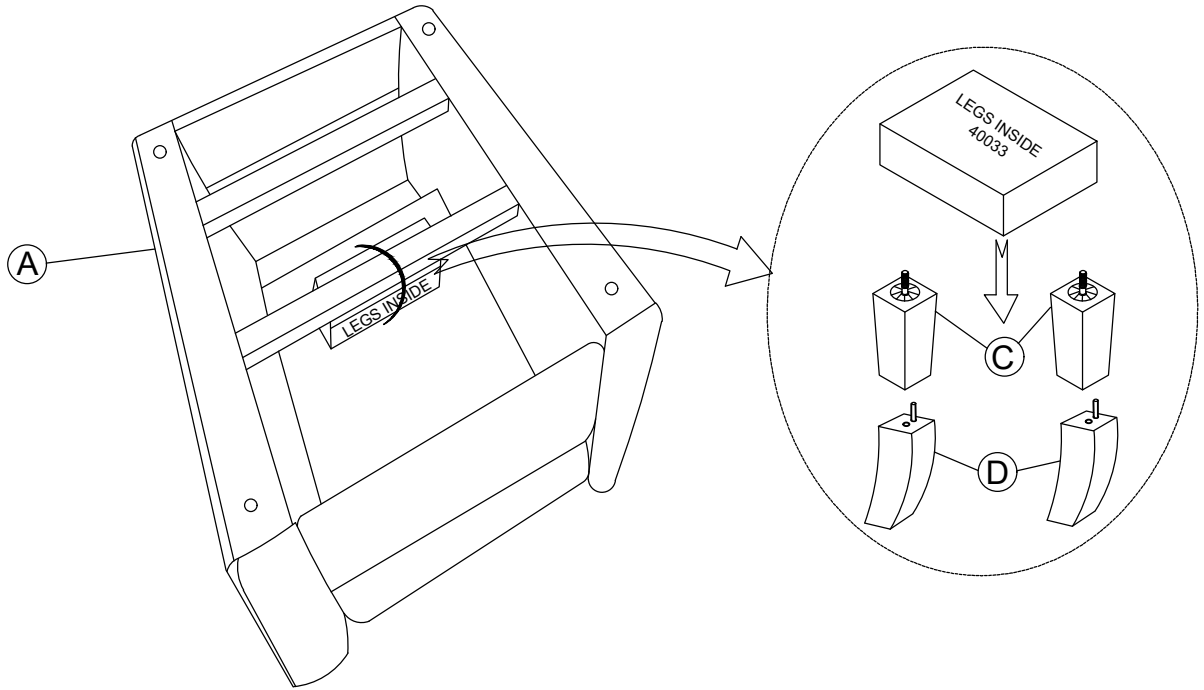
Website: www.lanefurniture.com

NOTES :

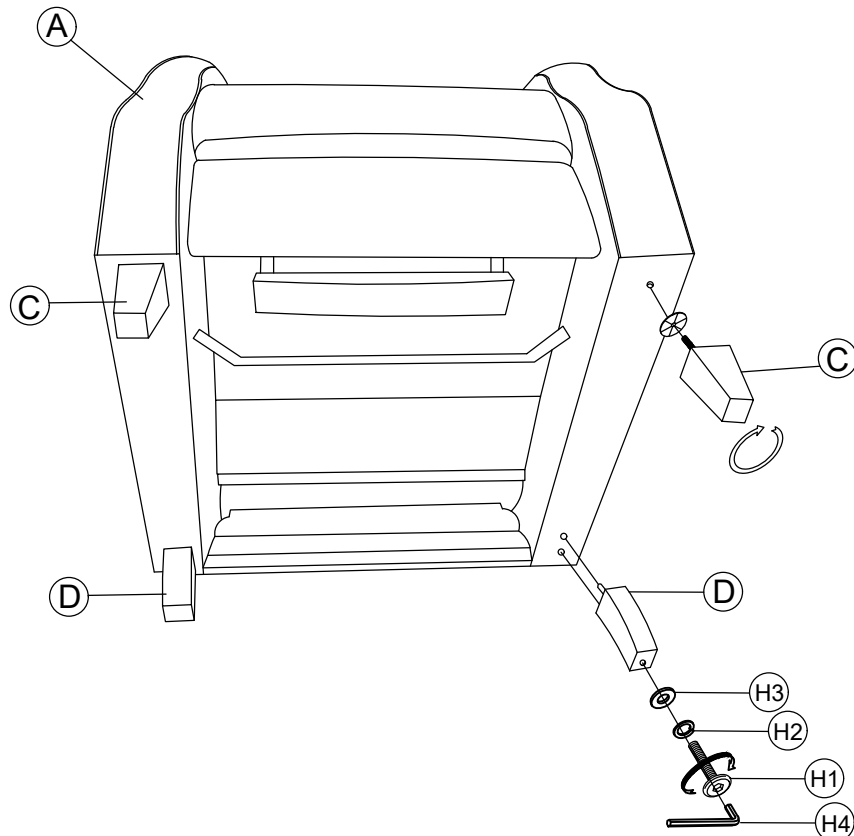
1. CHECK CAREFULLY FOR SMALL PARTS WHICH MAY COME LOOSE DURING SHIPMENT.
2. REMOVE ALL COMPONENTS FROM THE PACK AND PLACE ON A CLEAN, SOFT SURFACE TO ASSEMBLE.
3. UNITS SHOULD BE ASSEMBLED BY TWO OR MORE PEOPLE.
4. DO NOT OVER - TIGHTEN SCREW/ BOLTS UNTIL ASSEMBLY IS COMPLETED.
5. WITH USE, SCREW/ BOLT MAY BE COME LOOSE & MUST BE TIGHTENED PERIODICALLY.



STEP 1



STEP 2



STEP 3

