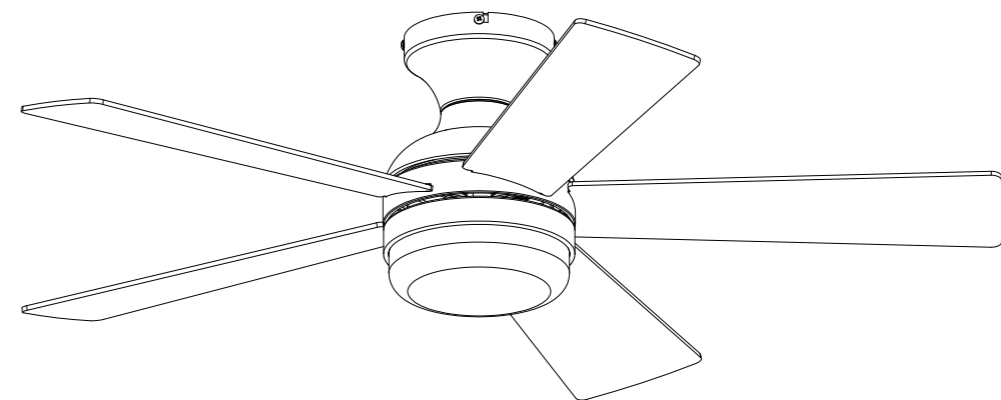


INSTALLATION MANUAL

CEILING FAN WITH LIGHT

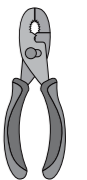
Model No.: CF2200Blr



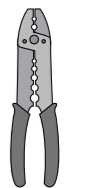
TOOLS REQUIRED



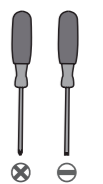
Ladder



Pliers

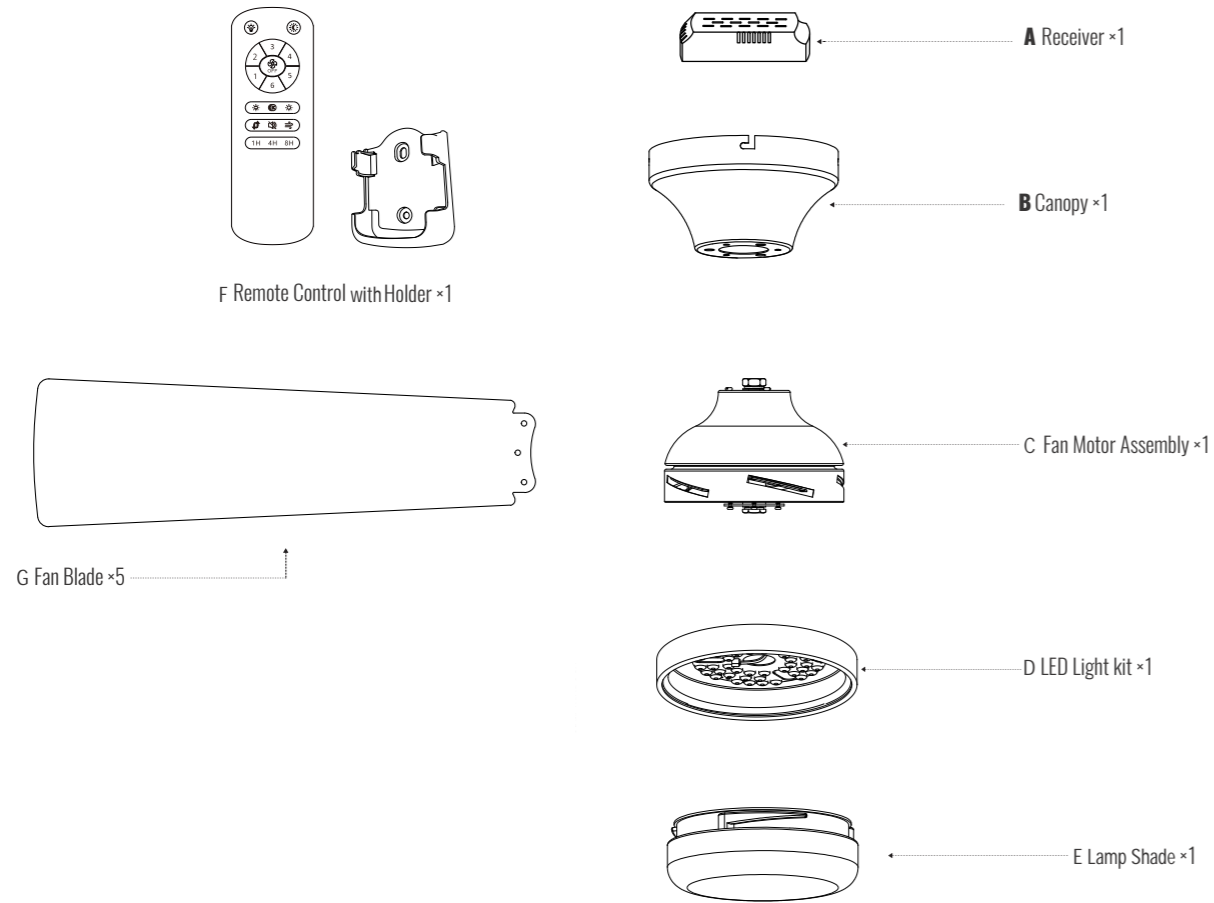


Wire
Strippers



Screwdrivers

PACKING LIST

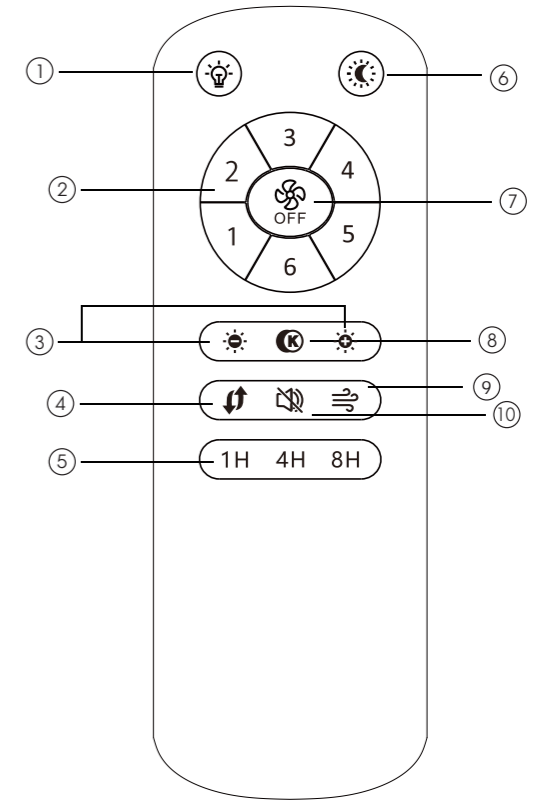


REMOTE CONTROL INSTRUCTIONS

REMOTE SIGNAL PAIRING:

If the remote control loses signal of the fan, press and hold the button ⑦ at the very beginning after it's turned on from wall switch. After the fan light flashes or beeps, it's done.

- ①: Turn on / off the light.
- ②: Turn on the fan on 1/2/3/4/5/6 speed.
- ③: Adjust the brightness of the light.
- ④: Fan moves forwards or reversely.
- ⑤: 1H/4H/8H for timing the fan.
- ⑥: Night mode, lights will be dimmed when press this button.
- ⑦: Turn off the fan.
- ⑧: Adjust the light color temperature.
- ⑨: Natural wind, fan speed will change automatically with this function.
- ⑩: Turn on/off the mute mode.



INSTALLATION KIT

AA 1× Mounting Bracket	BB 2× Outlet Box Screw With Washer	CC 1× Lock Body Washer	DD 16× Fan Blade Screw	EE 3× Lock Body Screw
FF 4× Mounting Screw with Washer	GG 3× Wire Nut	HH 1× Gloves	II 1× Safety cable (steel wire)	

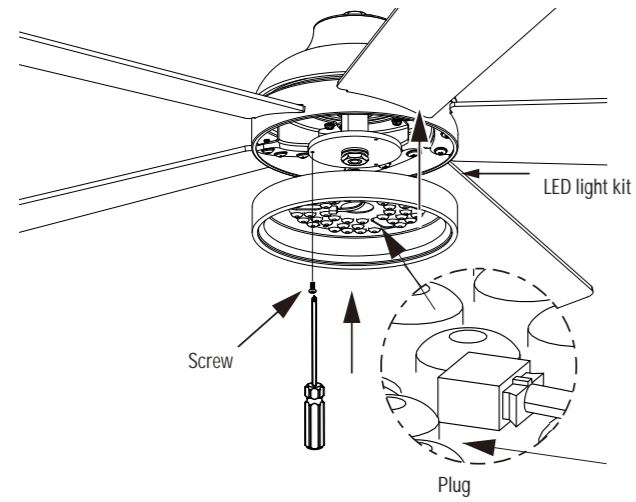
- NOTE:**
1. Some extra hardware may be included. The quantity listed above is the number required for installation.
 2. Parts "AA" have already been installed with Canopy (B). Parts "DD/EE/FF" have already been installed with Fan Motor Assembly (C). They need to be disassembled before installation.

7. Remove the Light Kit Mounting Plate

Step 1. Take off Mounting Screws from the Fan Motor Assembly.

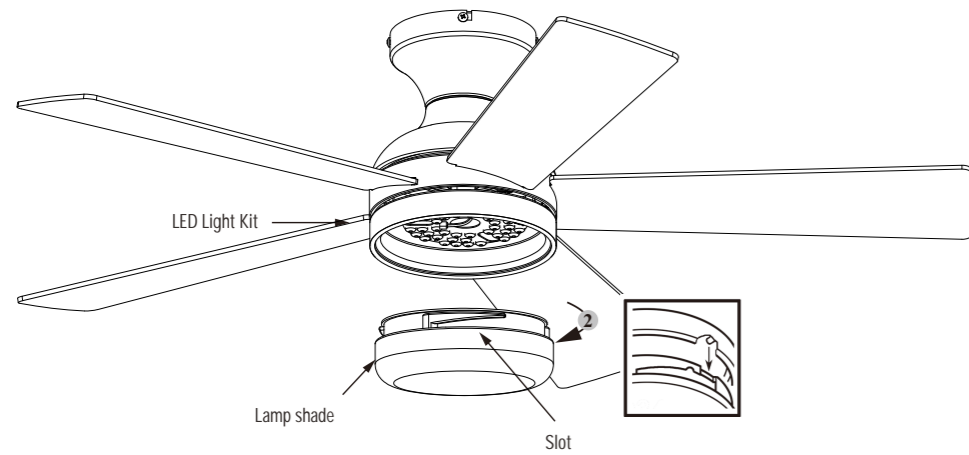
Step 2. Connect the wire terminal to the interface on the LED Light Kit (D).

Step 3. Fix the LED light kit (D) on the fan motor assembly (C) with fixing screws taken off.



8. Install the Lamp Shade

Step 1. Rotate the light shade (E) clockwise to secure it to the lamp panel.

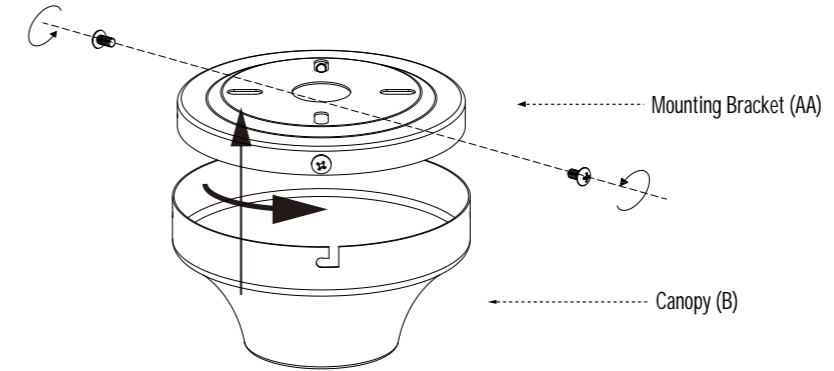


INSTALLATION

1. Remove the Mounting Bracket

Step 1. Loosen and remove the canopy screws from the round holes, and loosen the canopy screws in the 'L' holes but do not remove them.

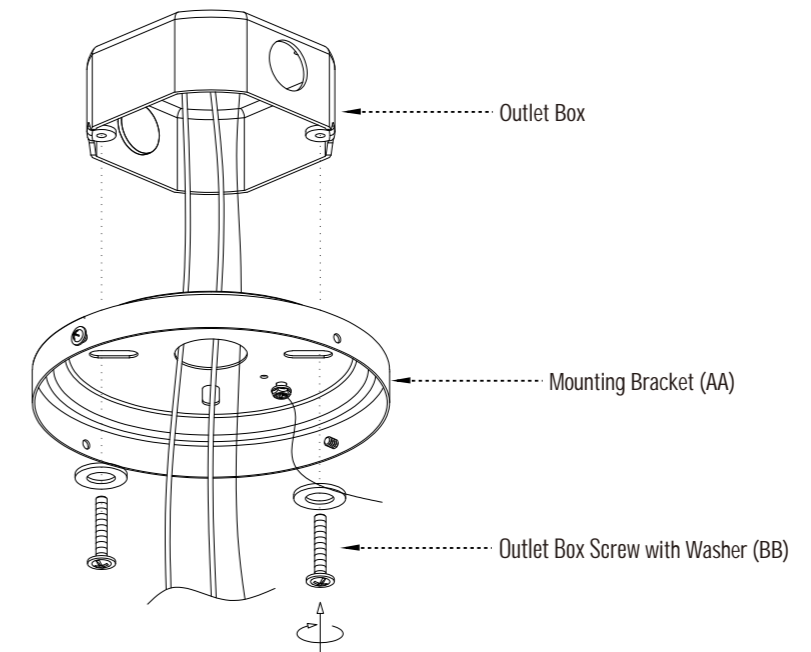
Step 2. Take out the Mounting Bracket from the canopy.



2. Install the Mounting Bracket

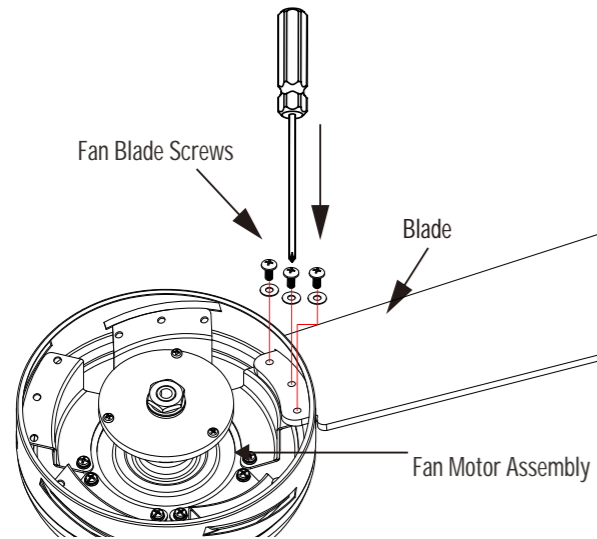
Step 1. Take off the screws from outlet box.

Step 2. Secure the Mounting Bracket onto the outlet box with screws taken off or Outlet Box Screw with Washer (BB) provided.



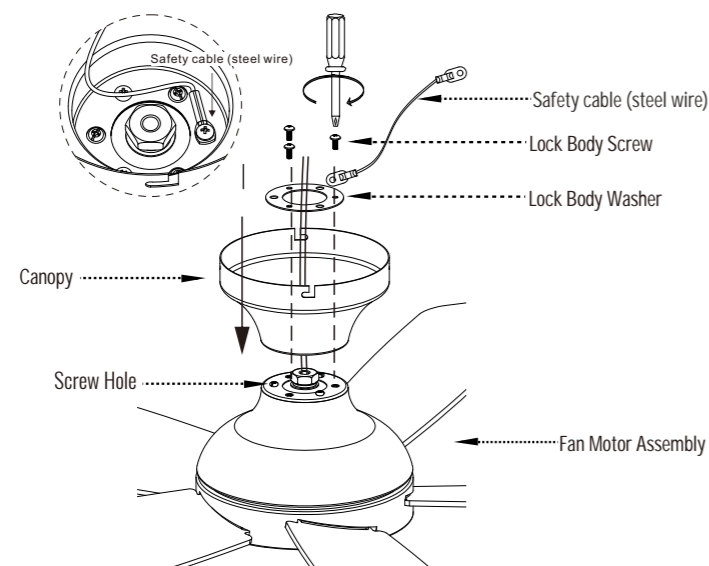
3. Installing the Fan Blade

- Step 1. Take off Fan Blade Screws (DD) from the Fan Motor Assembly.
 Step 2. Attach the Fan Blade onto the motor with the Fan Blade Screws.



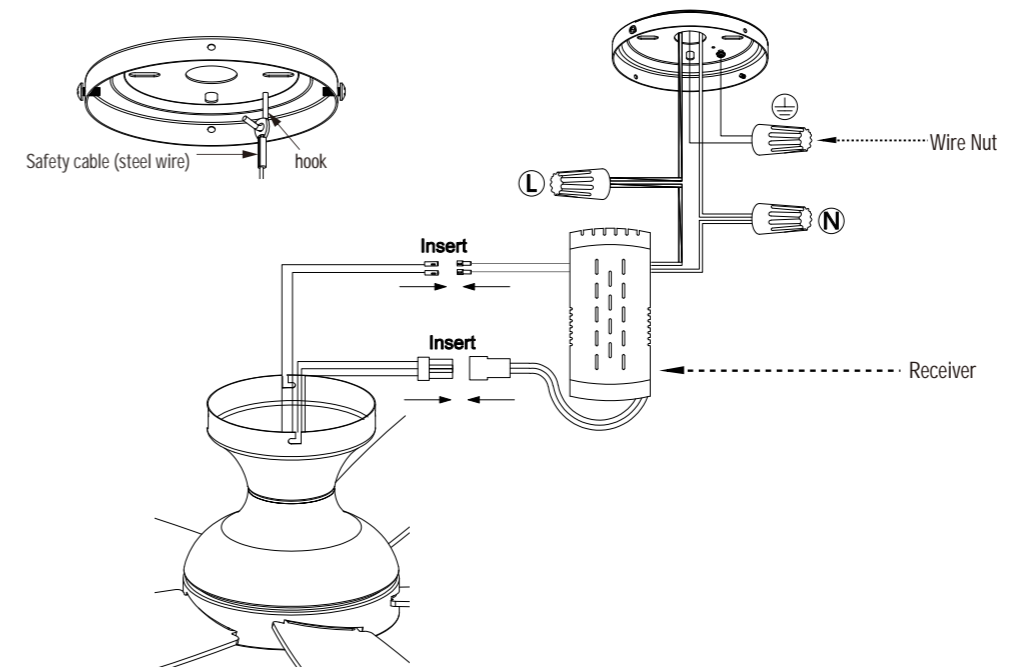
4. Assembling the Canopy

- Step 1. Thread the Main Wire through the Canopy as shown in the diagram.
 Step 2. Align the Small Holes on the Canopy with the Screw Holes on the Fan Motor Assembly, and secure the Canopy to the Fan Motor Assembly with Lock Body Washer and Lock Body Screw.



5. Wiring

- Step 1. Hang the steel cable onto the hook of the Mounting Bracket.
 Step 2. Connect the wires from the fixture to the house supply wires with Wire Nuts (GG), ground wire (green, green/yellow, or bare copper) to ground wire, neutral wire (white or blue) to neutral wire, and hot wire (black or brown) to the hot wire.
 Step 3. Wrap the connection with electrical tape.



Note:

- ① This fan only needs one set of input wires (black, white, and ground wire). Both of the fan and lights will be controlled by the remote control.
- ② This fan can only be connected to an on/off switch if you have one, not a dimmer switch.

6. Hanging

- Step 1. Align the "L" slots from the Canopy to the Canopy Screws on the Mounting Bracket, rotate the Canopy to lock it onto the Mounting Bracket.
 Step 2. Tighten the Canopy Screws to secure the Fan Assembly.

