

When you assembly, you can refer to the installation video and use video of the sale link.

Any question or suggestion please feel free to contact our Customer Service Team

E-mail: vip-service2024@yeah.net

“



Warm Reminder

If you experience any issues with our product (including missing parts, damage, installation issues, or not meeting expectations), please contact us. We'll ensure satisfactory assistance within 24 hours.

E-mail: vip-service2024@yeah.net

”

Assembler/Installer: This manual contains important information necessary for the proper assembly and safe use of this appliance. Read and follow all warnings and instructions before assembling and using this appliance. **Leave these instructions with the consumer.**

Consumer/User: Follow all warnings and instructions when using this appliance.
Retain these instructions for future reference.

 **DANGER**

If you smell gas:

- 1. Shut off gas to the appliance.**
- 2. Extinguish any open flame.**
- 3. Open lid.**
- 4. If odor continues, keep away from the appliance and immediately call your local fire department.**

 **WARNING**

- 1. Do not store or use gasoline or other flammable liquids or vapors in the vicinity of this or any other appliance.**
- 2. An LP (liquid propane) cylinder not connected for use shall not be stored in the vicinity of this or any other appliance.**
- 3. This grill is for outdoor use only and shall not be used in a building, garage, under overhangs or any other enclosed area.**
- 4. Do not leave a lit grill unattended. Keep children and pets away from the grill at all times.**

SAFETY INFORMATION

DANGER

- Do not use in an explosive atmosphere. Keep grill area clear and free from combustible materials, gasoline and other flammable vapors and liquids.**

CAUTION

- Never use charcoal or lighter fluid with the grill.
- Do not use gasoline, kerosene or alcohol for lighting.
- The LP gas cylinder used with this appliance must be:
 - (a) Constructed and marked in accordance with the Specifications for LP-Gas Cylinders of the U.S. Department of Transportation (D.O.T.) or the National Standard of Canada, CAN/CSA-B339, Cylinders, Spheres and Tubes for Transportation of Dangerous Goods; and Commission, as applicable; and
 - (b) Provided with a listed overfilling prevention device.
 - (c) Provided with a cylinder connection device compatible with the connector for outdoor cooking appliances. This grill is not intended to be used in or installed on recreational vehicles and/or boats.
- Never keep a filled container in a hot car or car trunk. Heat will cause the gas pressure to increase, which may open the relief valve and allow gas to escape.
- Always open grill lid slowly and carefully as heat and steam trapped within the grill can burn you severely.

WARNING

- Do not place the grill under overhead combustible construction or awnings. Minimum clearance from sides and back of unit to combustible construction, 36 inches (914.4mm) from sides and back.
- NOTE: The installation must conform with local codes or, in the absence of local codes, with either the National Fuel Gas Code, ANSI Z223.1/NFPA 54, Natural Gas and Propane Installation Code, CSA B149.1, or Propane Storage and Handling Code, B149.2.

CAUTION

- Do not store or use gasoline or other flammable liquids or vapors in the vicinity of this or any other appliance.
- An LP cylinder not connected for use shall not be stored in the vicinity of this or any other appliance.
- This grill is for use with propane gas only (propane cylinder not included).
- Never attempt to attach this grill to the self-contained propane system of a boat, camper trailer, motor home or house.
- Do not attempt to move the grill while it is lit or when it is hot. The casters should be locked when not moving the grill.
- Do not use the grill unless it is completely assembled and all parts are securely fastened and tightened.
- Keep all combustible items and surfaces at least 36 inches (91.44 cm) away from

the grill at all times.

• Do not touch metal parts of grill until it has completely cooled (about 45 minutes) to avoid burns, unless you are wearing protective gear (pot holders, gloves, BBQ mittens, etc...).

• Do not alter this grill in any manner.

• Clean and inspect the hose before each use. If there is evidence of abrasion, wear, cuts, or leaks, the hose must be replaced prior to operating the appliance. The replacement hose assembly will be that which is specified by the manufacturer.

• Move gas hoses as far away as possible from hot surfaces and dripping hot grease.

• Keep the grill's valve compartment, burners and circulating air passages clean. Inspect the grill before each use. Do not obstruct the flow of gas or ventilation air.

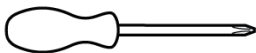
• The use of alcohol, prescription or non-prescription drugs may impair the operator's ability to properly assemble or safely operate the grill.

• Do not leave a lit grill unattended. Keep children and pets away from the grill at all times.

• Do not place this grill on any type of tabletop surface. The grill should be placed on a flat and level surface.

• Do not use the grill in high winds.

Tool required



Philips screwdriver



Small hammer



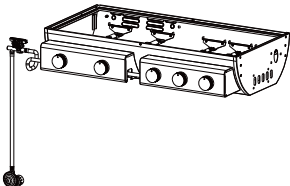

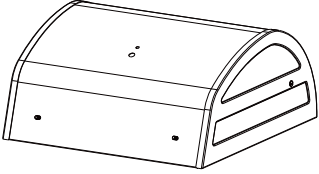
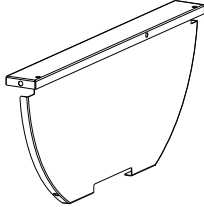
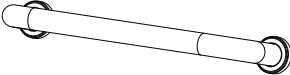
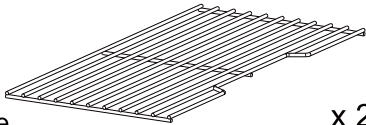

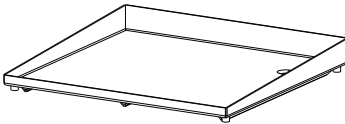
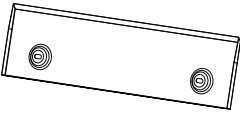
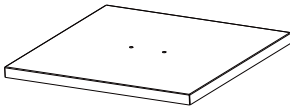

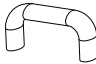
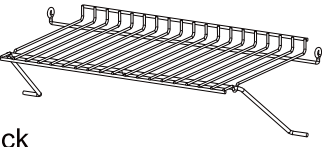
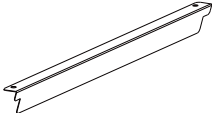
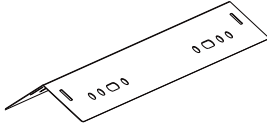
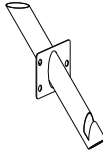
Wrench
(Do not provided in this product)




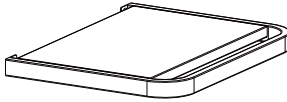
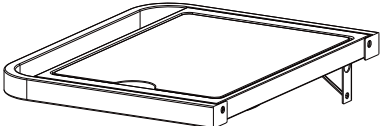
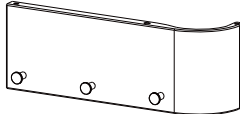
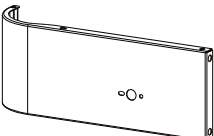

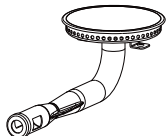
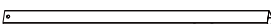


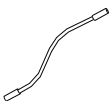
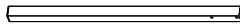
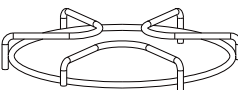




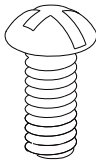

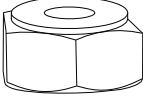
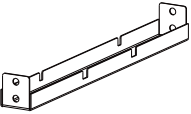

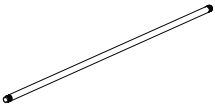
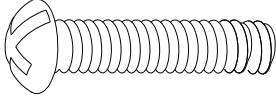
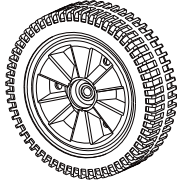

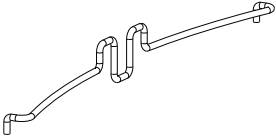
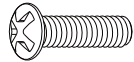
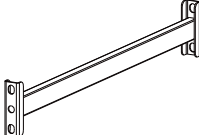
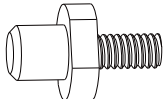
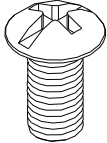

Ruler/ tape measure

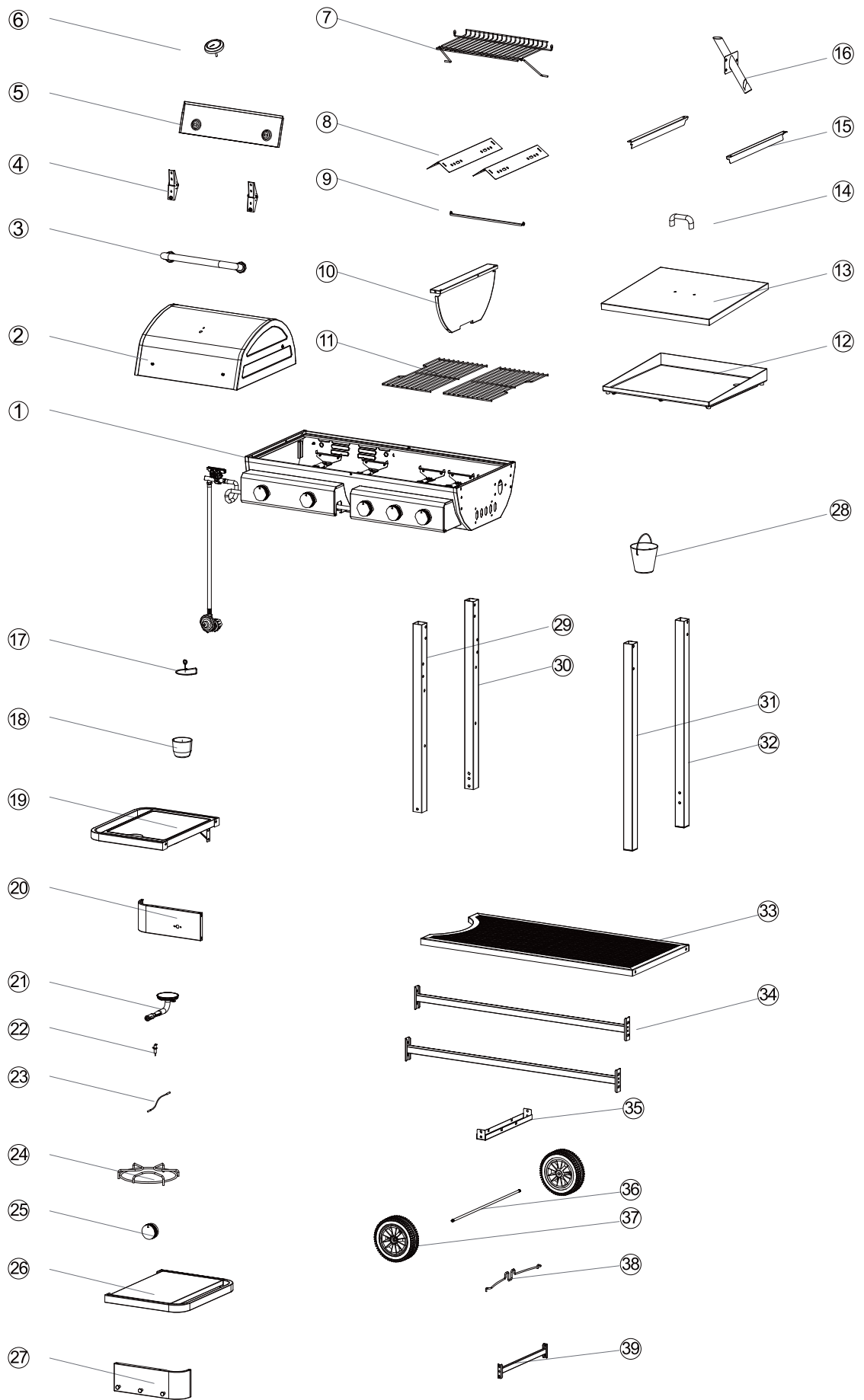
Ruler - Use this ruler to help correctly identify the screws



<p>①  x 1PCS</p> <p>Grill Assembly x 1PCS</p>	<p>⑨  x 1PCS</p> <p>Windscreen x 1PCS</p>
<p>②  x 1PCS</p> <p>Gas Grill Lid x 1PCS</p>	<p>⑩  x 1PCS</p> <p>Partition Plate x 1PCS</p>
<p>③  x 1PCS</p> <p>Lid Handle x 1PCS</p>	<p>⑪  x 2PCS</p> <p>Cooking Grate x 2PCS</p>
<p>④  x 2PCS</p> <p>Hing Assembly x 2PCS</p>	<p>⑫  x 1PCS</p> <p>Frying Pan x 1PCS</p>
<p>⑤  x 1PCS</p> <p>Gas Grill Lid Handle Heat Shield x 1PCS</p>	<p>⑬  x 1PCS</p> <p>Frying Pan Lid x 1PCS</p>
<p>⑥  x 1PCS</p> <p>Heat Indicator x 1PCS</p>	<p>⑭  x 1PCS</p> <p>Frying Pan Lid Handle x 1PCS</p>
<p>⑦  x 1PCS</p> <p>Warming Rack x 1PCS</p>	<p>⑮  x 2PCS</p> <p>Grill Assembly support x 2PCS</p>
<p>⑧  x 2PCS</p> <p>Heat Tent x 2PCS</p>	<p>⑯  x 1PCS</p> <p>Oil guide tube x 1PCS</p>

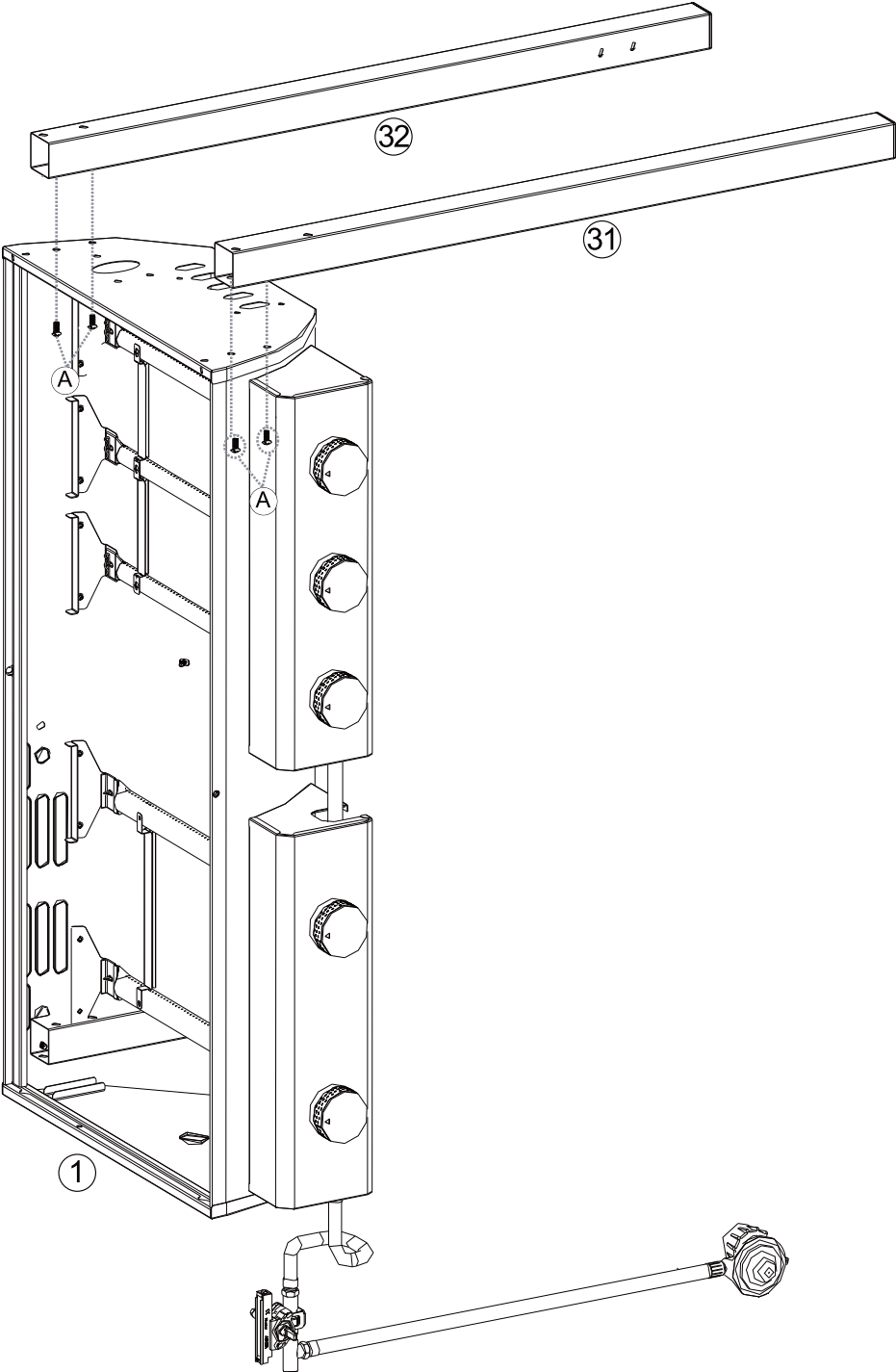
<p>①7</p>  <p>Grease cup hanger</p> <p>x 1PCS</p>	<p>②5</p>  <p>Knob</p> <p>x 1PCS</p>
<p>①8</p>  <p>Grease cup</p> <p>x 1PCS</p>	<p>②6</p>  <p>Side Shelf</p> <p>x 1PCS</p>
<p>①9</p>  <p>Side Burner Shelf Assembly</p> <p>x 1PCS</p>	<p>②7</p>  <p>Side Shelf Panel</p> <p>x 1PCS</p>
<p>②0</p>  <p>Side Burner Control Panel</p> <p>x 1PCS</p>	<p>②8</p>  <p>Oil Bucket</p> <p>x 1PCS</p>
<p>②1</p>  <p>Side Burner</p> <p>x 1PCS</p>	<p>②9</p>  <p>Left Front Leg</p> <p>x 1PCS</p>
<p>②2</p>  <p>Ignition Needle</p> <p>x 1PCS</p>	<p>③0</p>  <p>Left Rear Leg</p> <p>x 1PCS</p>
<p>②3</p>  <p>Ignition Wire</p> <p>x 1PCS</p>	<p>③1</p>  <p>Right Front Leg</p> <p>x 1PCS</p>
<p>②4</p>  <p>Side burner grate</p> <p>x 1PCS</p>	<p>③2</p>  <p>Right Rear Leg</p> <p>x 1PCS</p>

<p>③③</p>  <p>Bottom Shelf x 1PCS</p>	<p>Ⓑ</p>  <p>M6x15 Bolts 2PCS</p>
<p>③④</p>  <p>Cart Front/Rear Brace x 2PCS</p>	<p>Ⓒ</p>  <p>M8 Self Locknut 2PCS</p>
<p>③⑤</p>  <p>Cart left brace x 1PCS</p>	<p>Ⓓ</p>  <p>M4x8 Bolts 8PCS</p>
<p>③⑥</p>  <p>Wheel Axle x 1PCS</p>	<p>Ⓔ</p>  <p>M6x35 Bolts 2PCS</p>
<p>③⑦</p>  <p>Wheel x 2PCS</p>	<p>Ⓕ</p>  <p>M5x10 Bolts 2PCS</p>
<p>③⑧</p>  <p>Gas cylinder retaining wire x 1PCS</p>	<p>Ⓖ</p>  <p>M4x15 Bolts 2PCS</p>
<p>③⑨</p>  <p>Cart Right Brace x 1PCS</p>	<p>Ⓗ</p>  <p>M4 Frying Pan Support 4PCS</p>
<p>Ⓐ</p>  <p>A M6x12 Bolts 53PCS</p>	<p>Ⓘ</p>  <p>M4x8 Tapping Screws 2PCS</p>



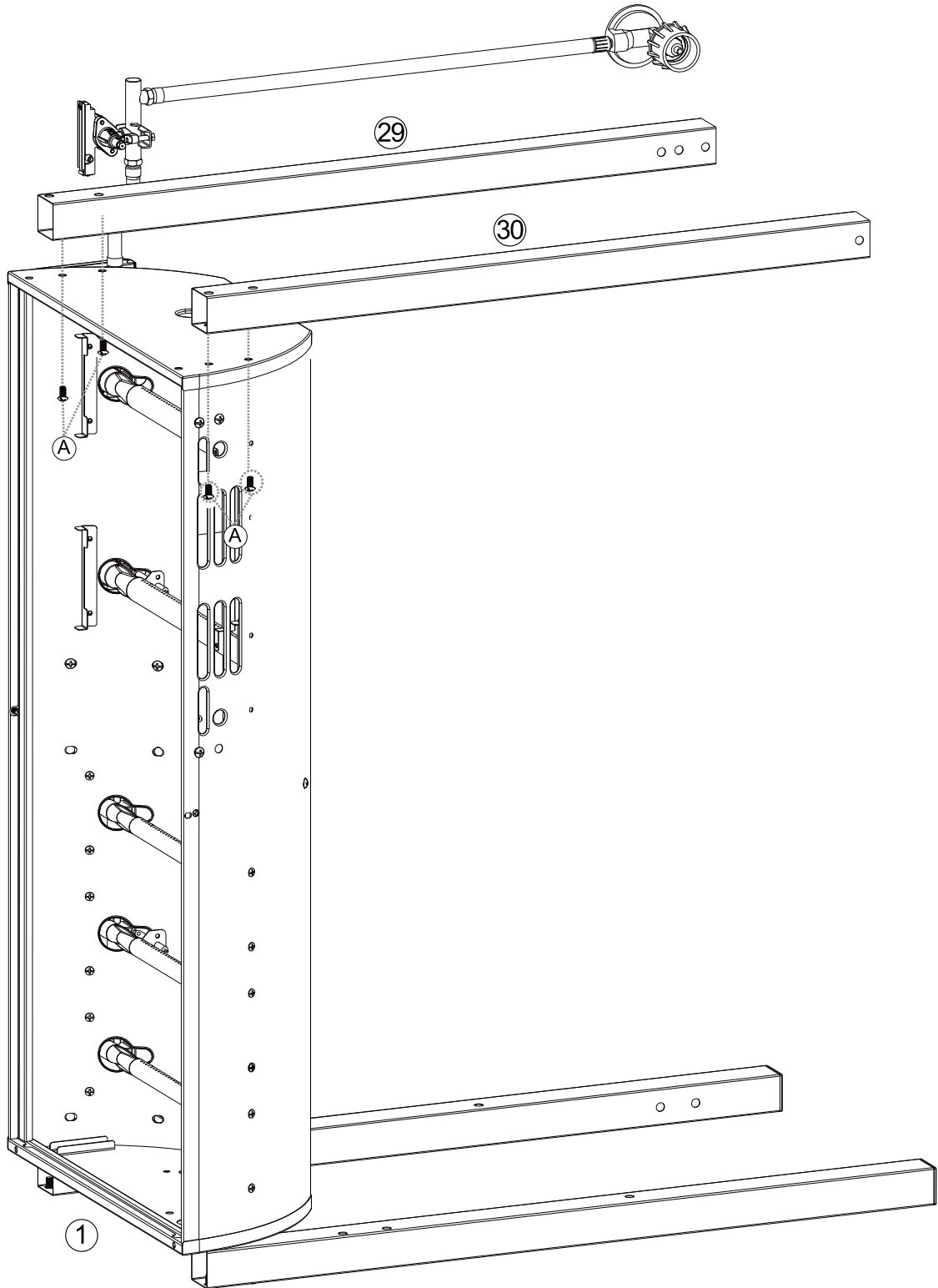
Step1

Ⓐ  X4



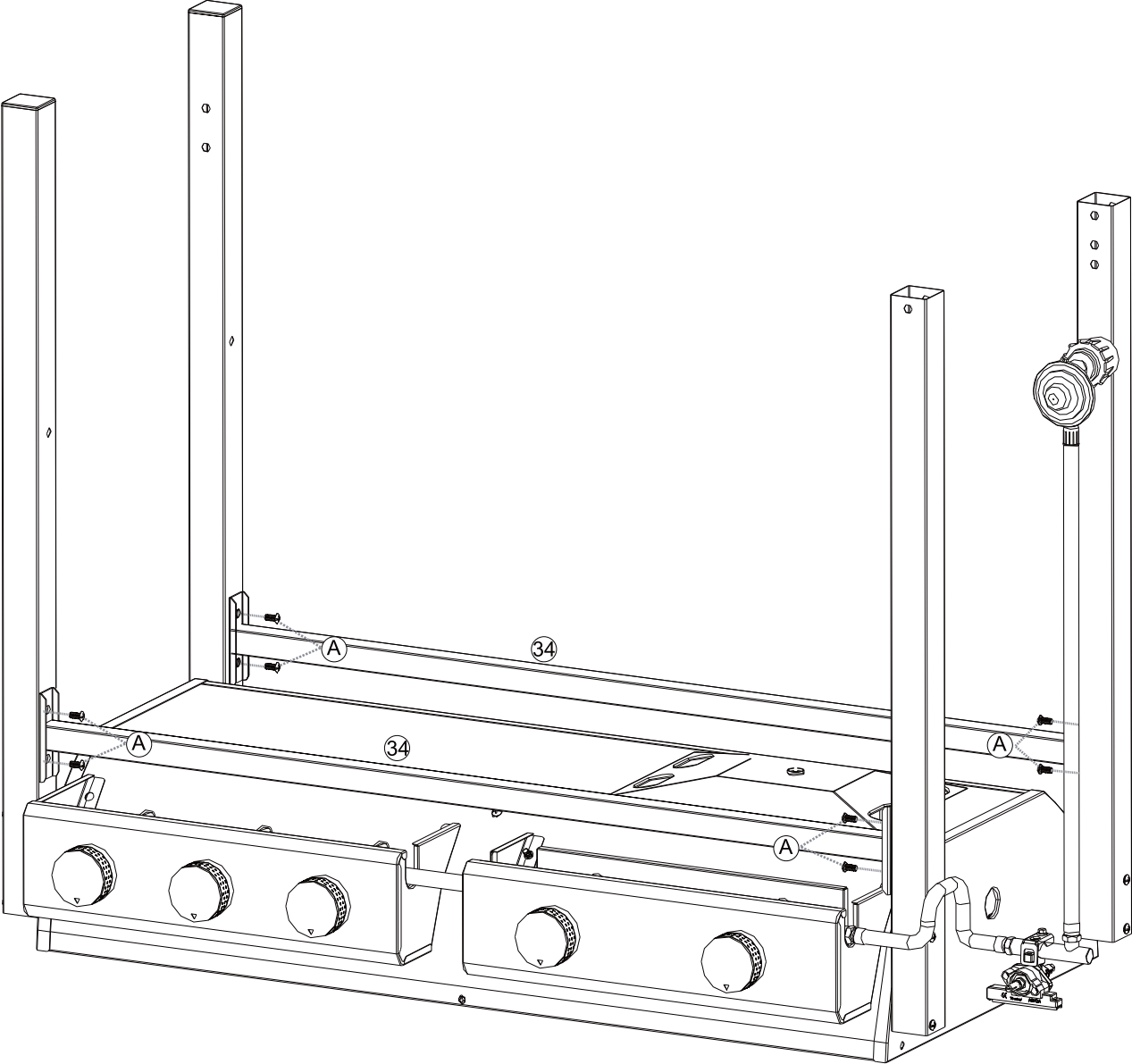
Step2

(A)  X4



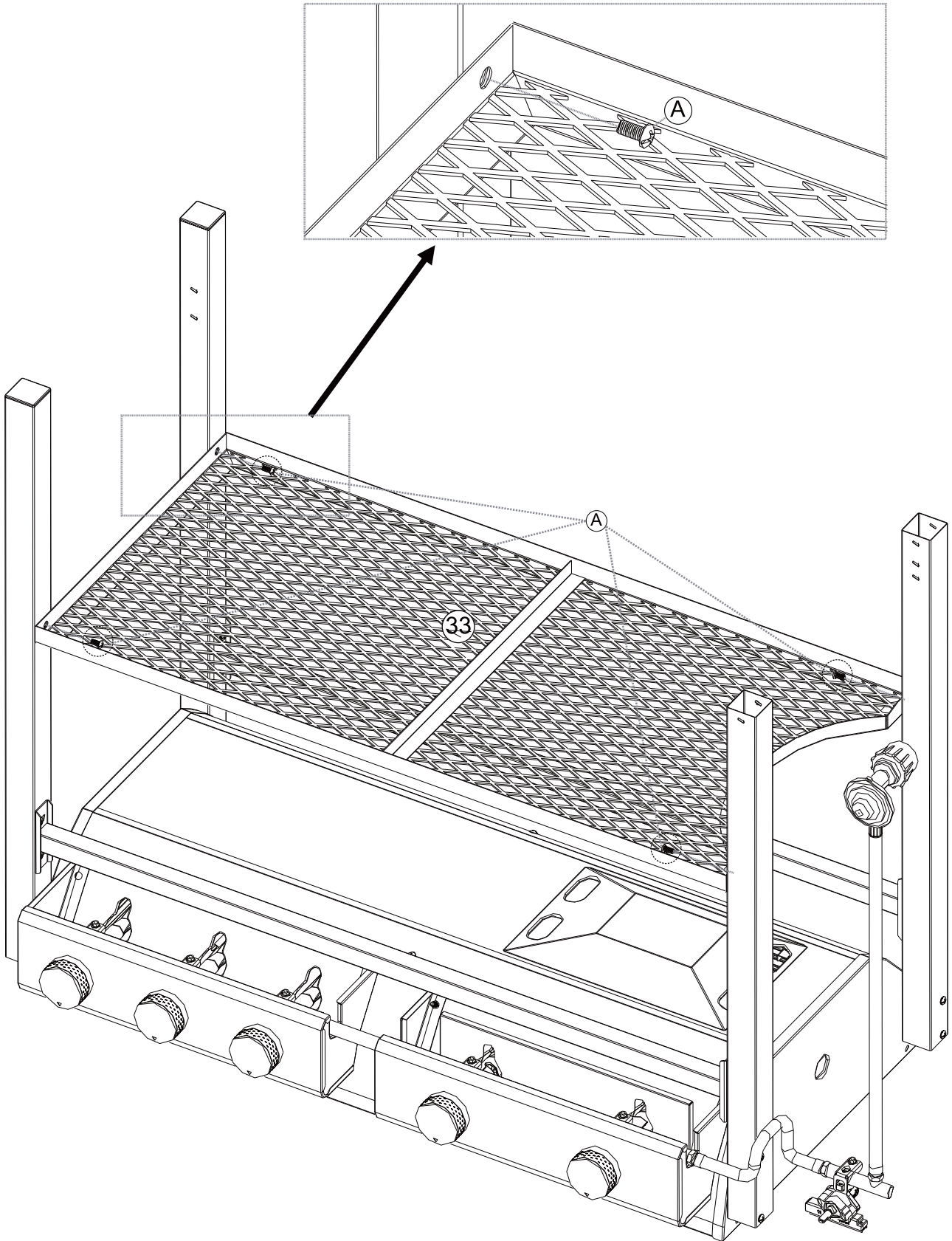
Step3

(A)  X8



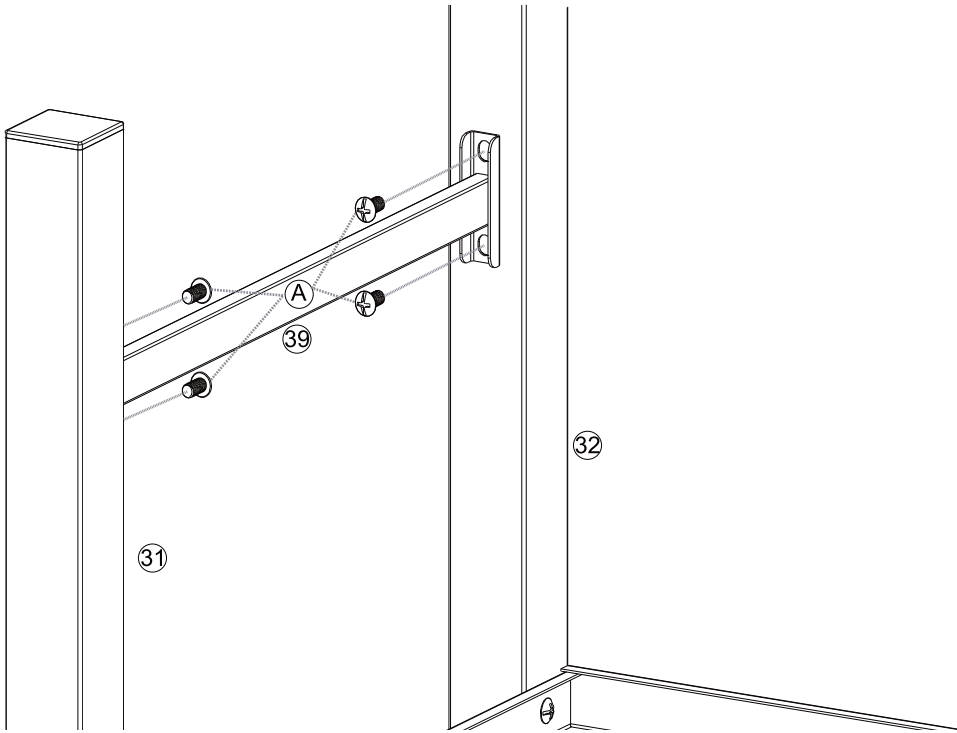
Step4

(A)  X4



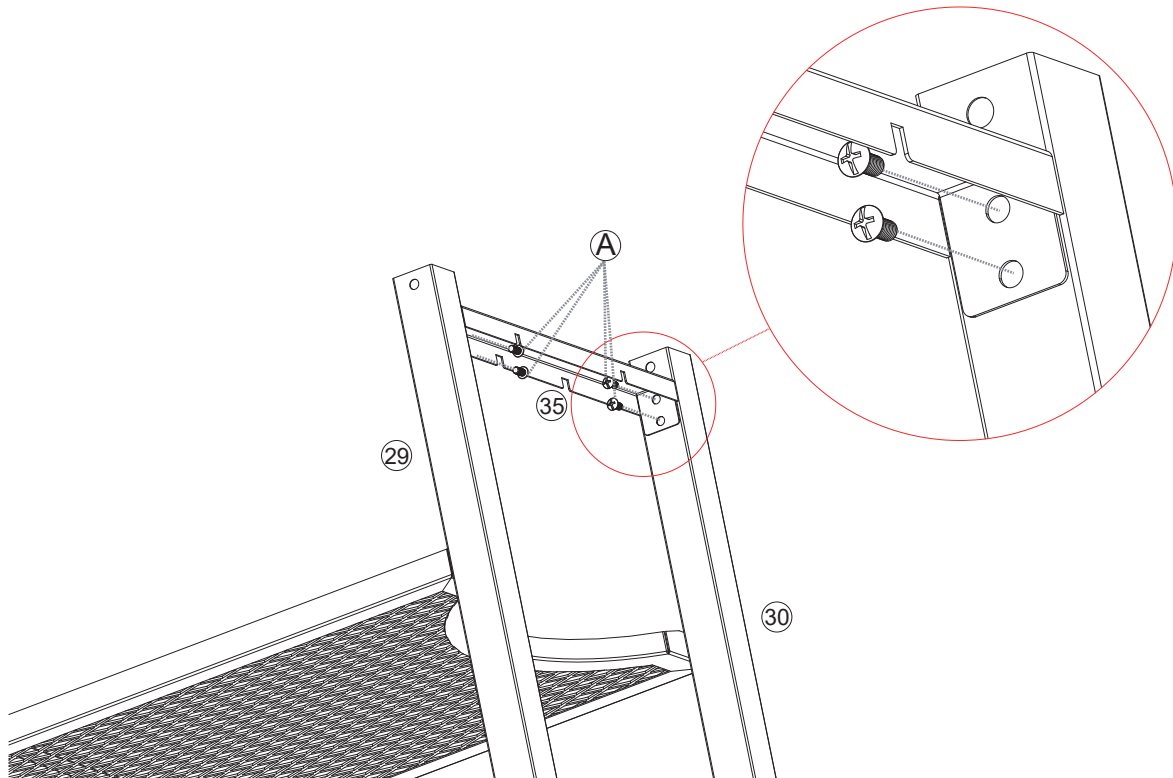
Step5

(A)  X4



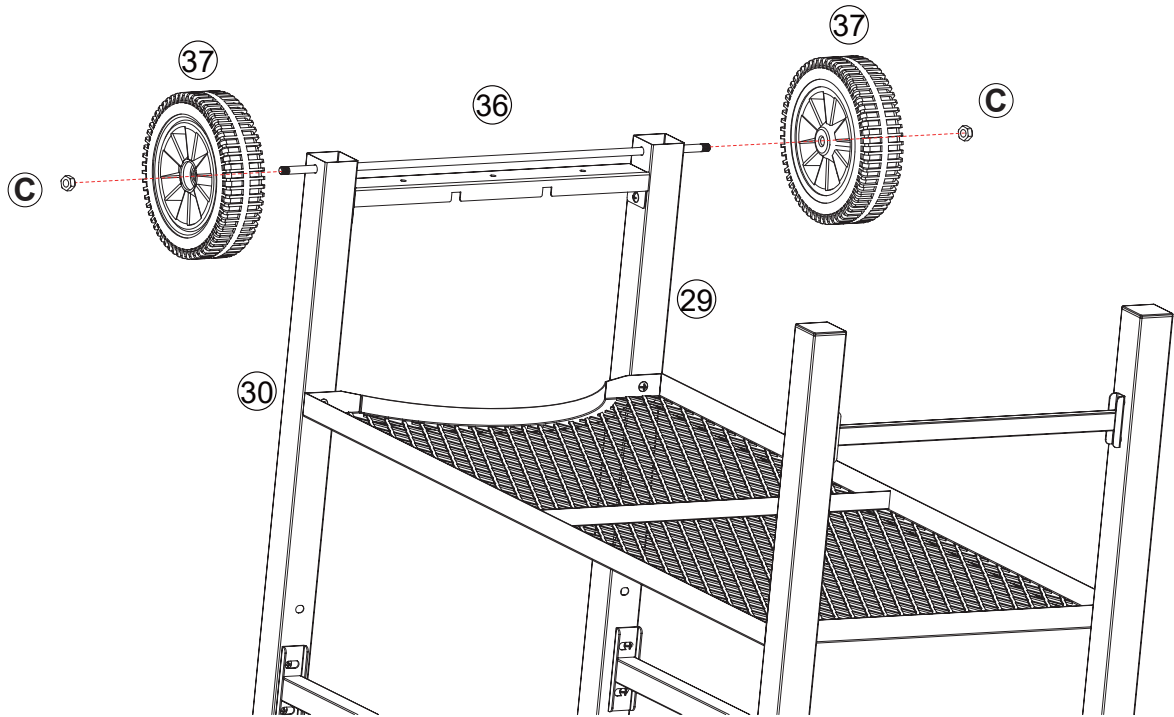
Step6

(A)  X4

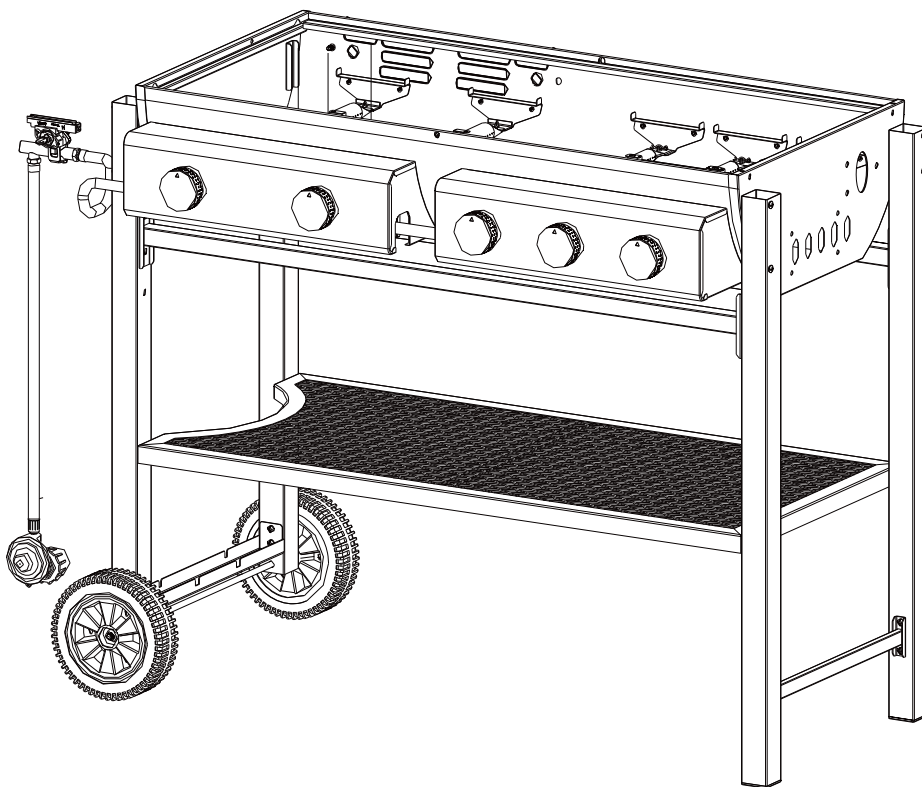


Step7

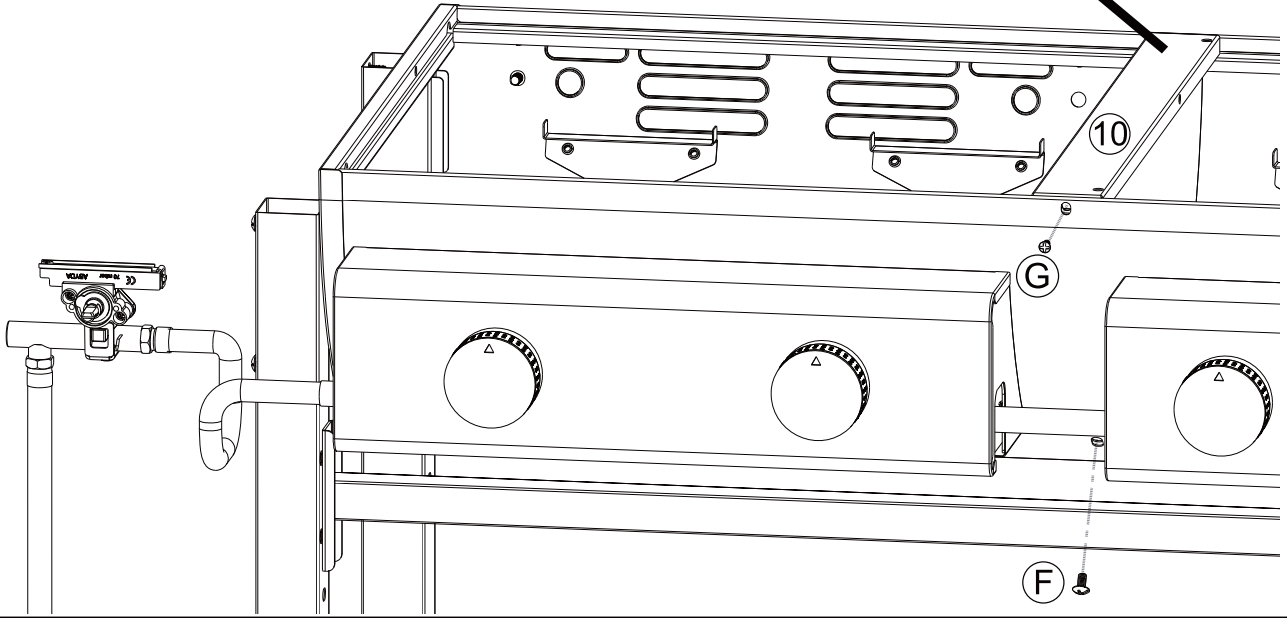
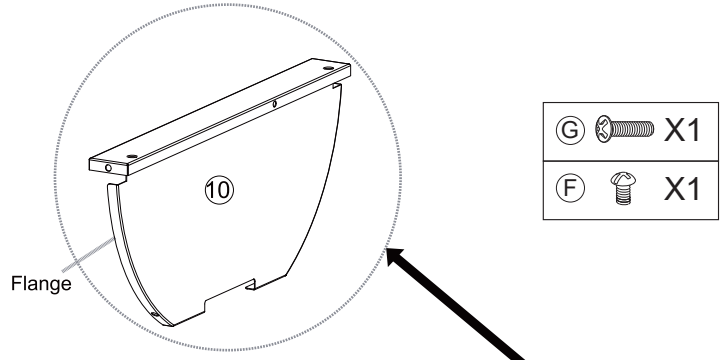
Ⓢ X2



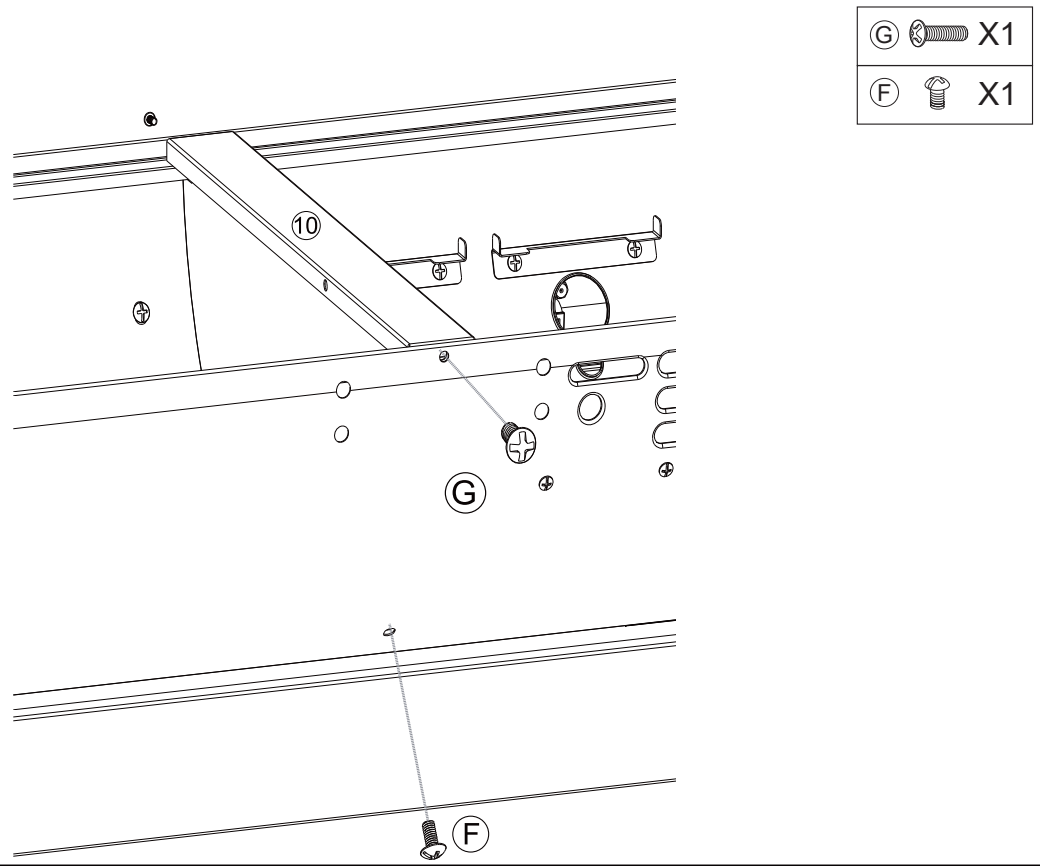
Step8



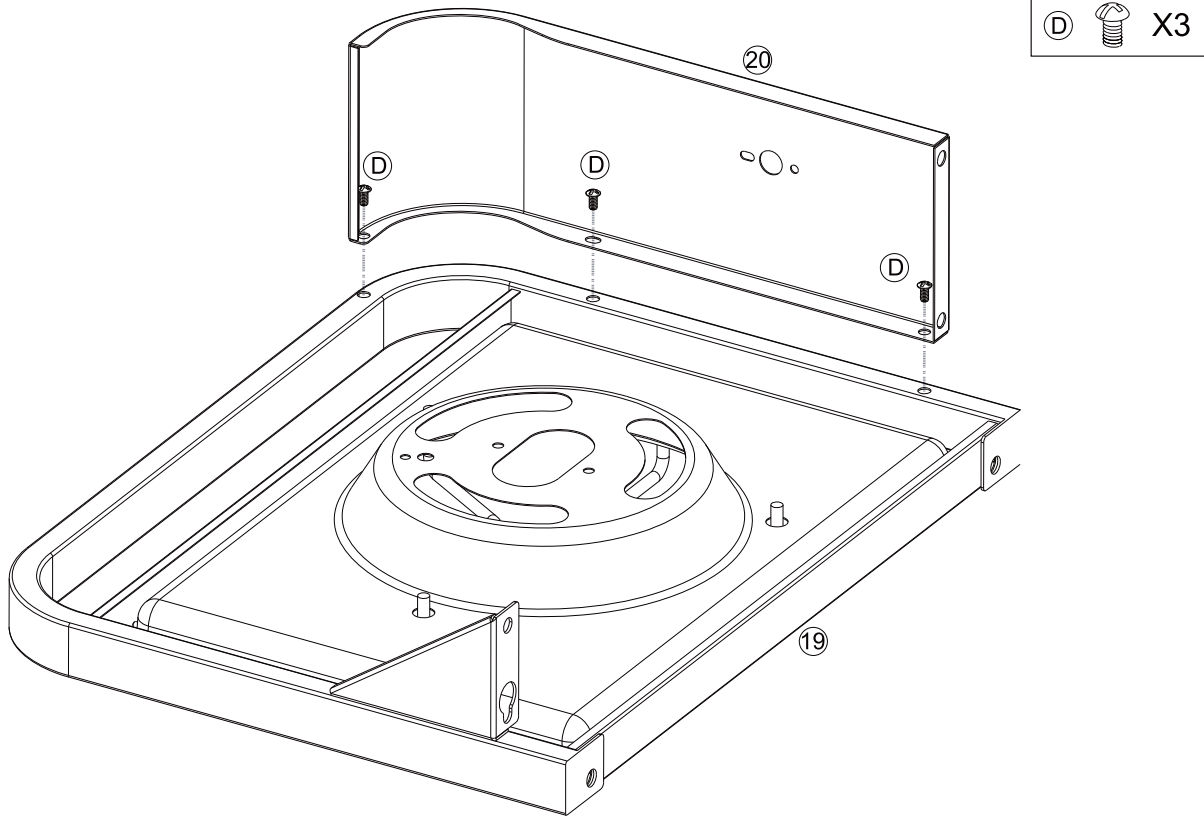
Step9



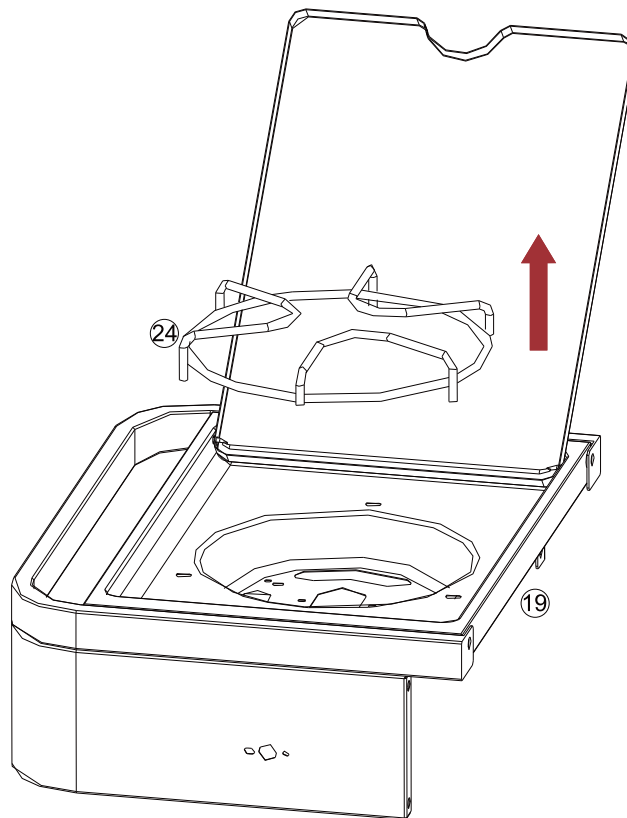
Step10



Step11



Step12

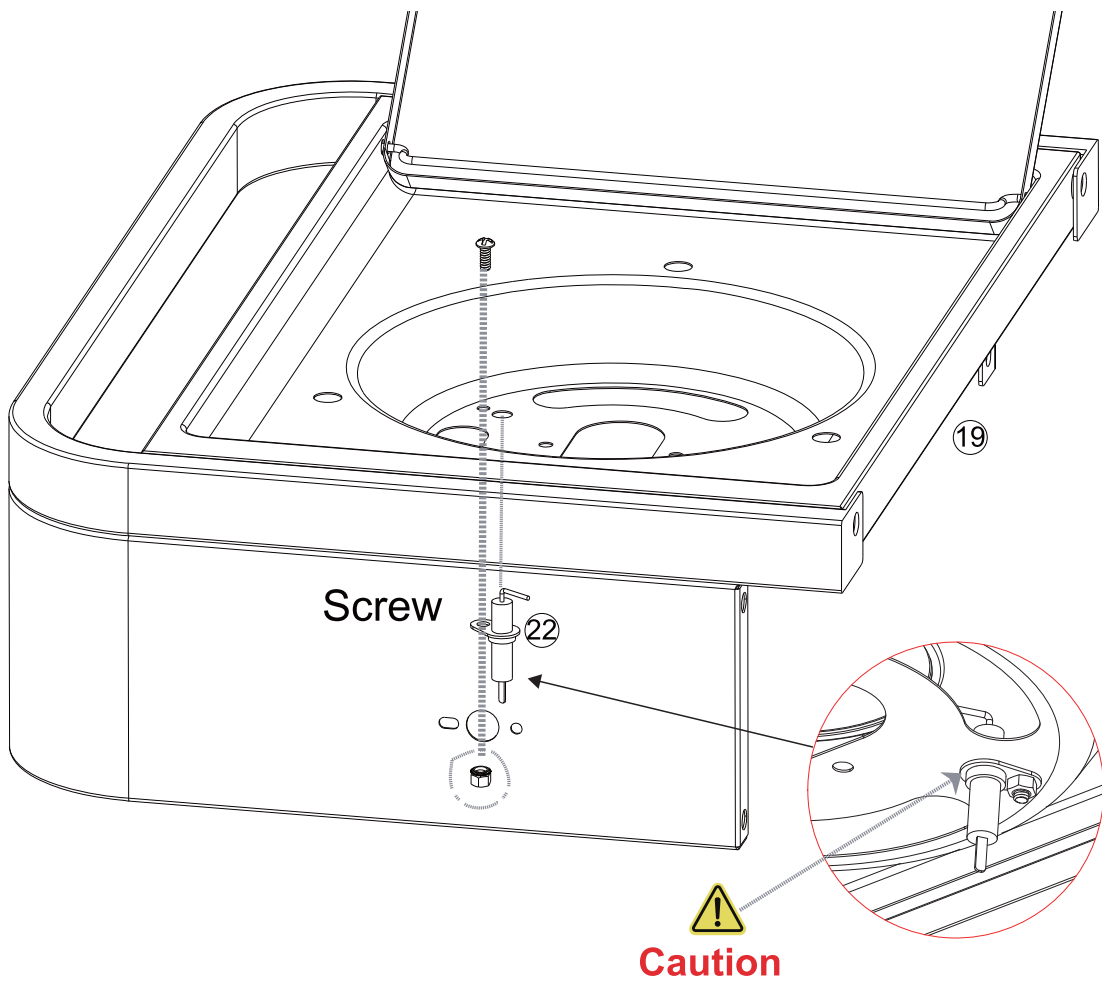
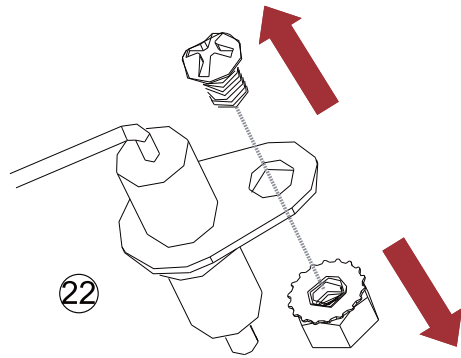


Step13


UnscREW

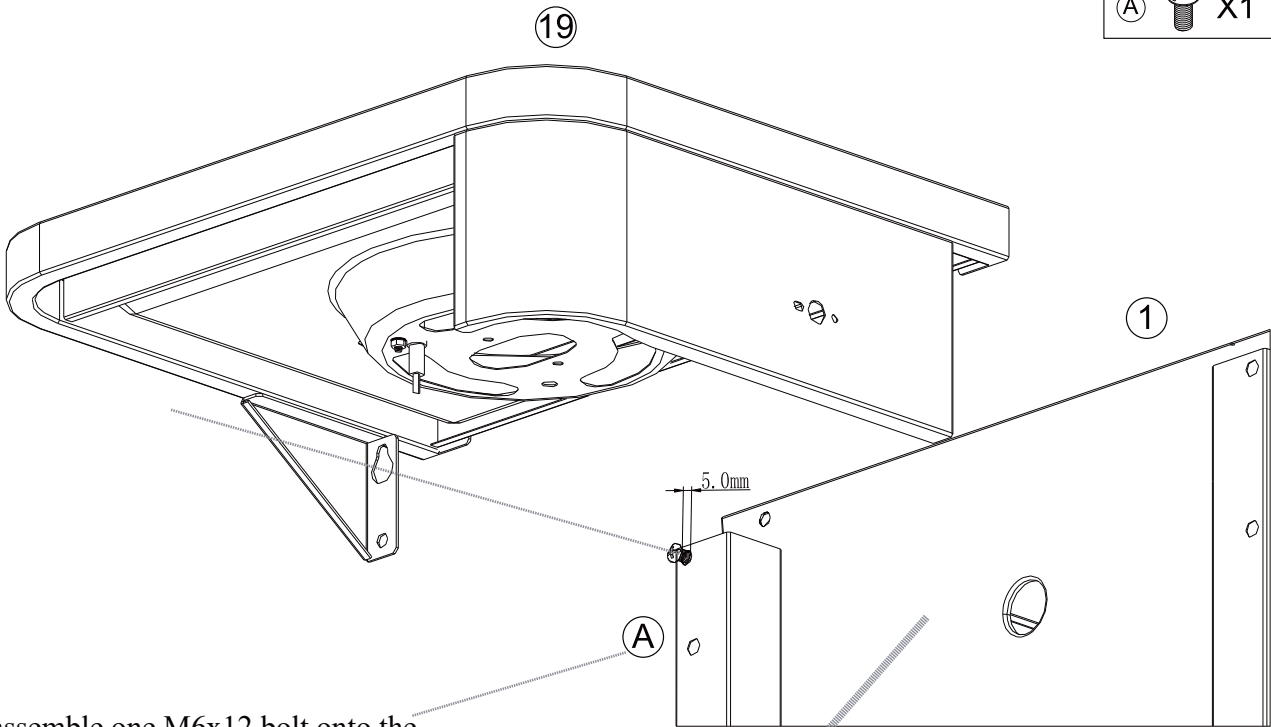


Caution

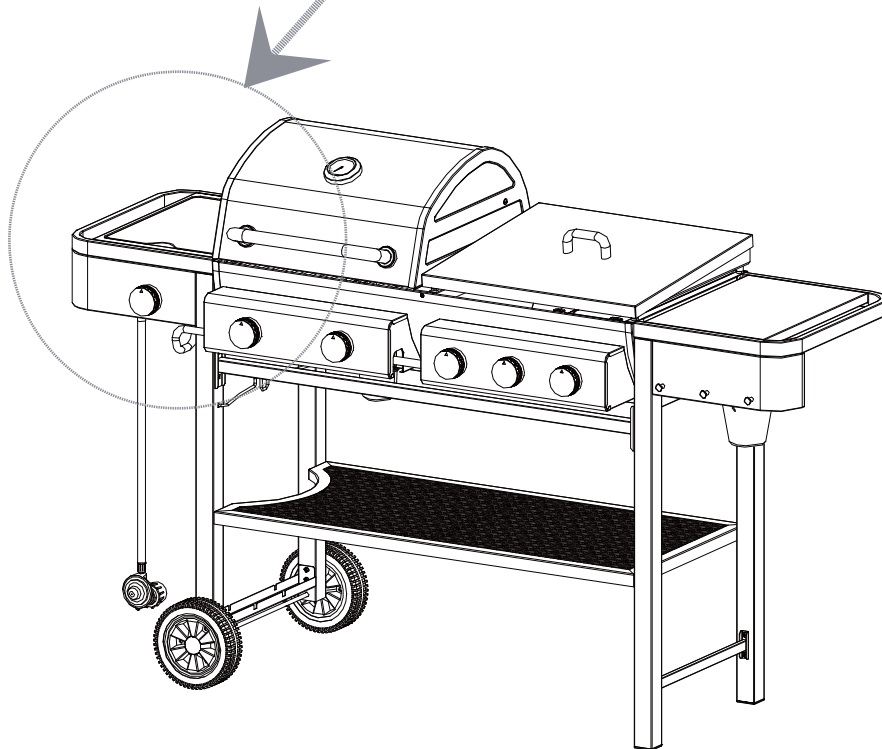


Step14

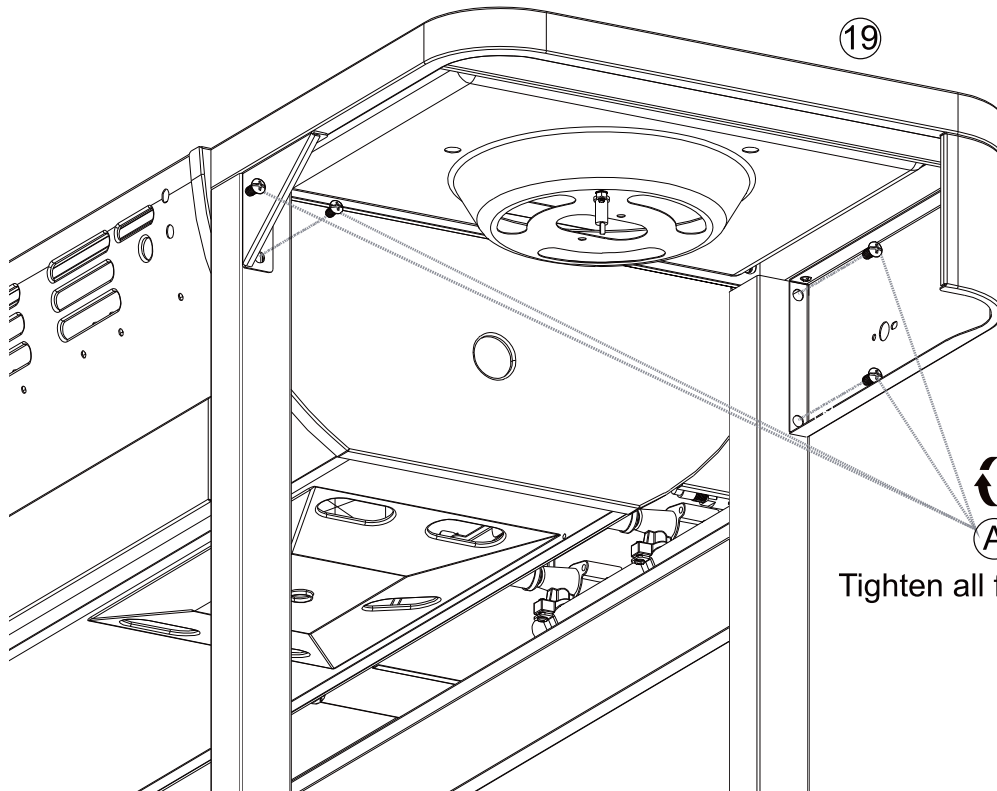
(A)  X1




Pre-assemble one M6x12 bolt onto the left rear leg and do not tighten it. Make sure to leave a 5mm gap between the bolt and the left rear leg. Then hang the side burner assembly on the bolt.



Step15

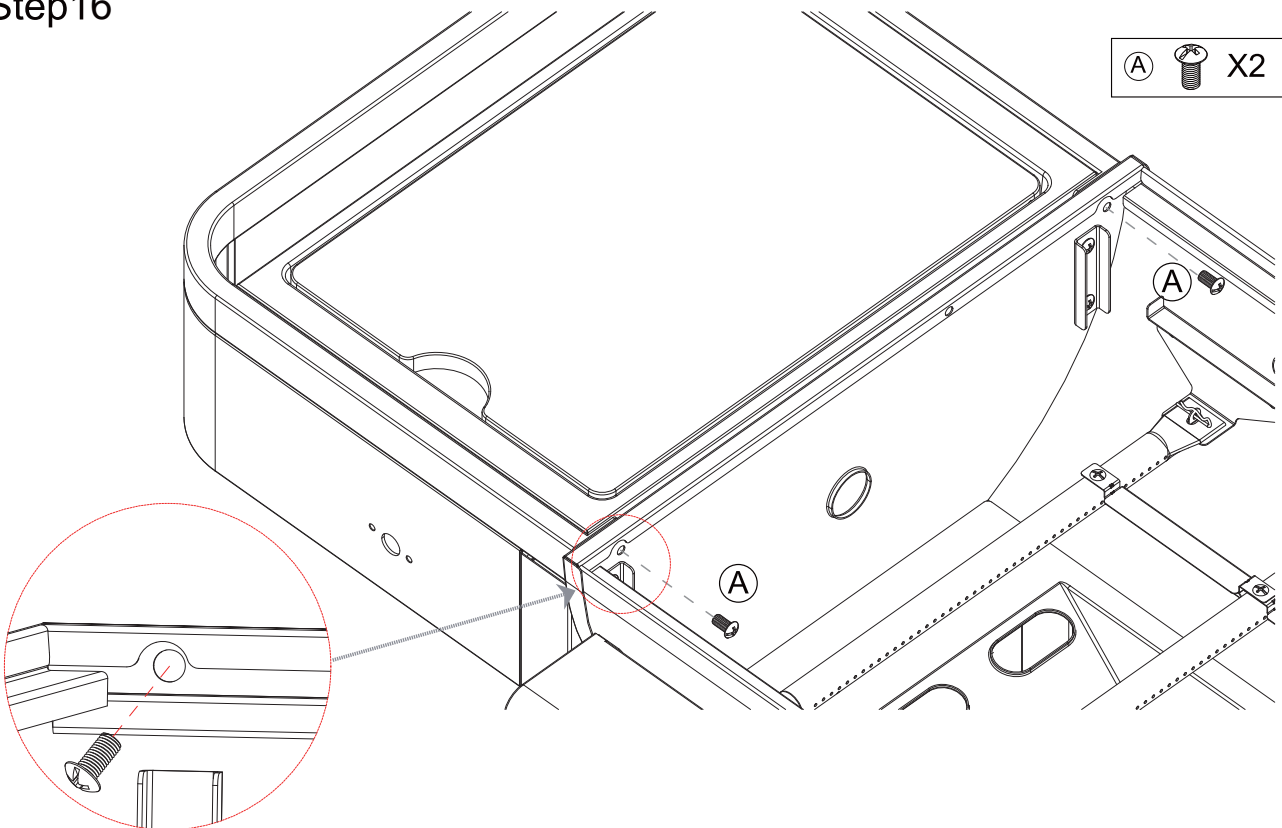


(A)  X3



Tighten all four screws

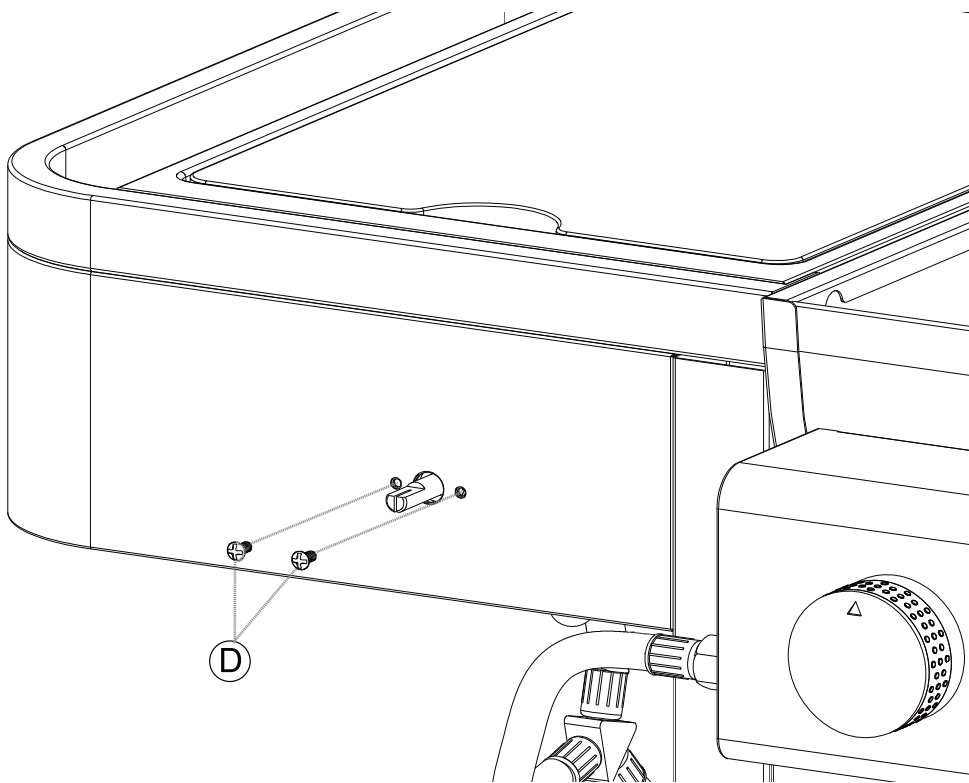
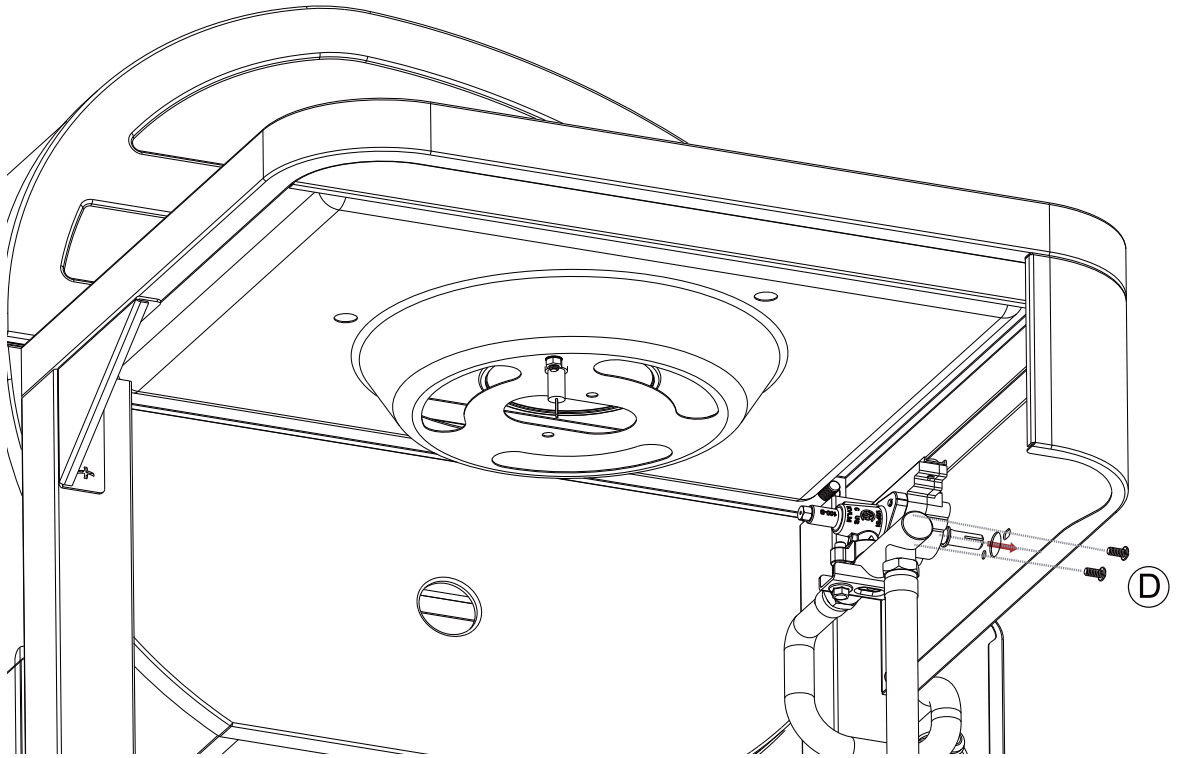
Step16



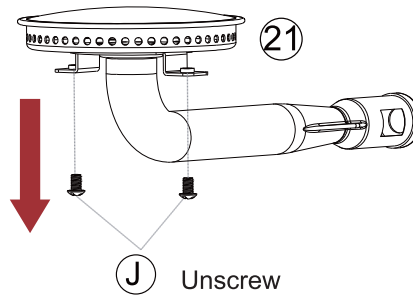
(A)  X2

Step17

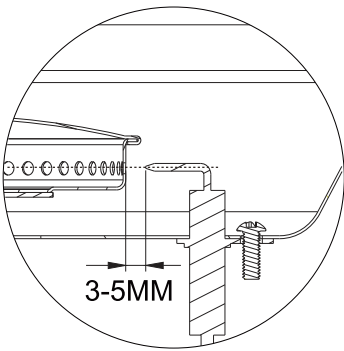
ⓓ  X2



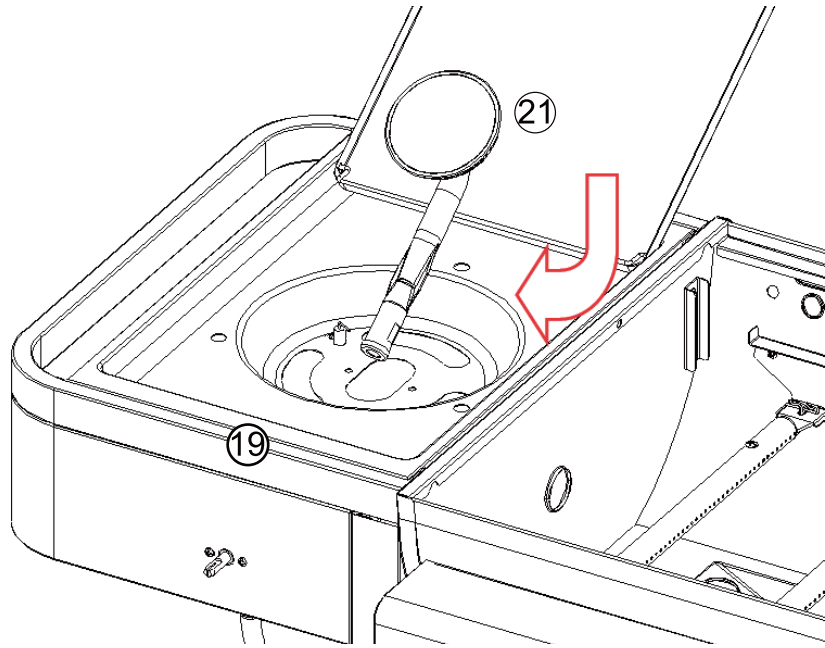
Step18-1



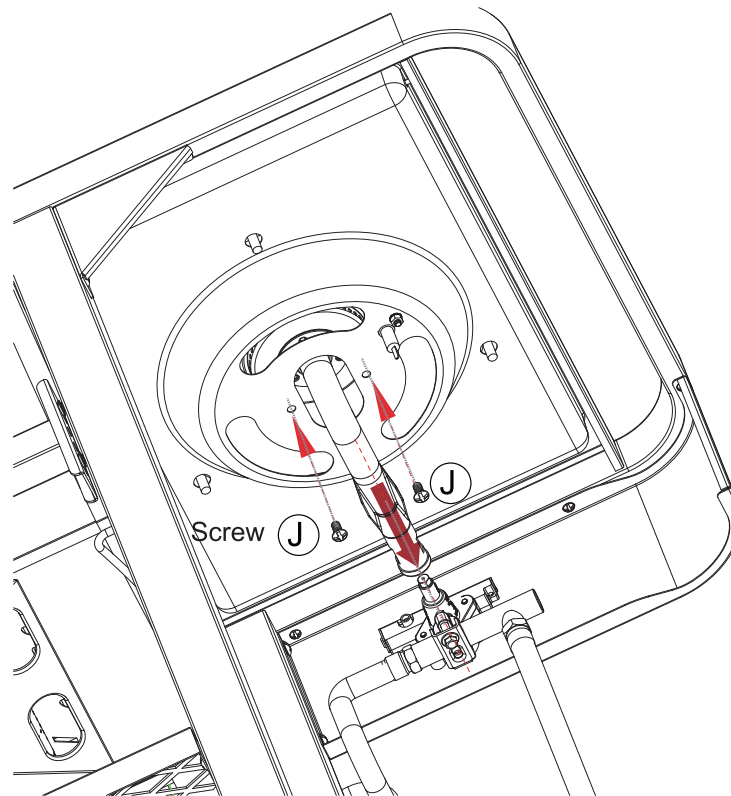
Step18-2



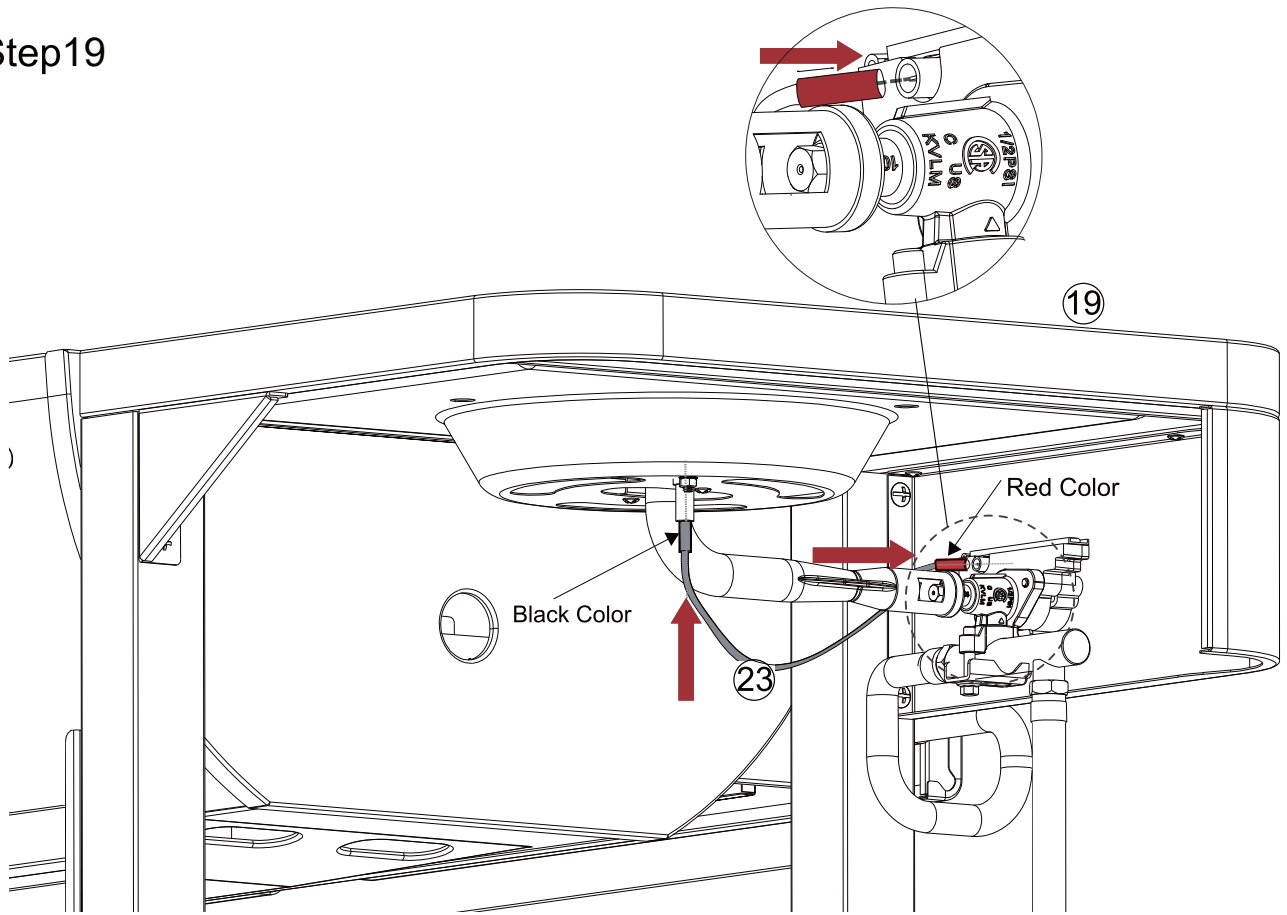
Distance between the ignitor pin and burner is 3-5mm The ignition pin should be pointed at the exact center of the side burner vent hole



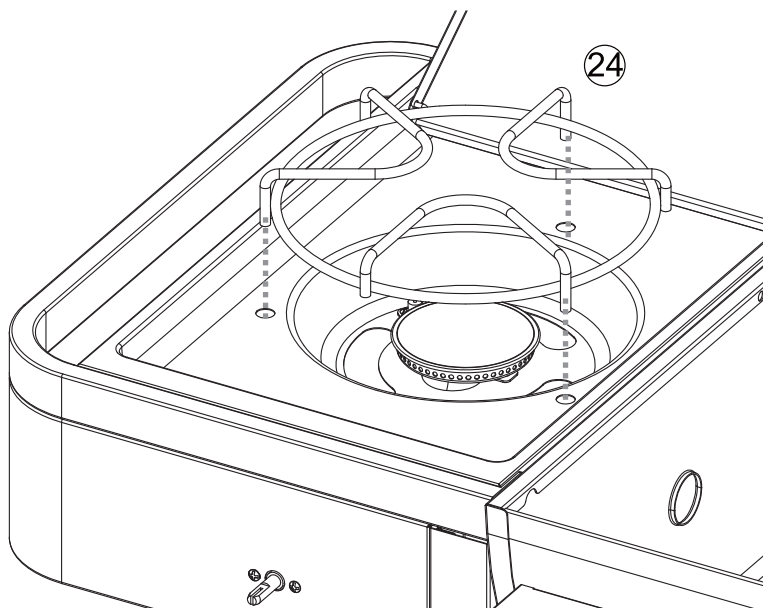
Step18-3



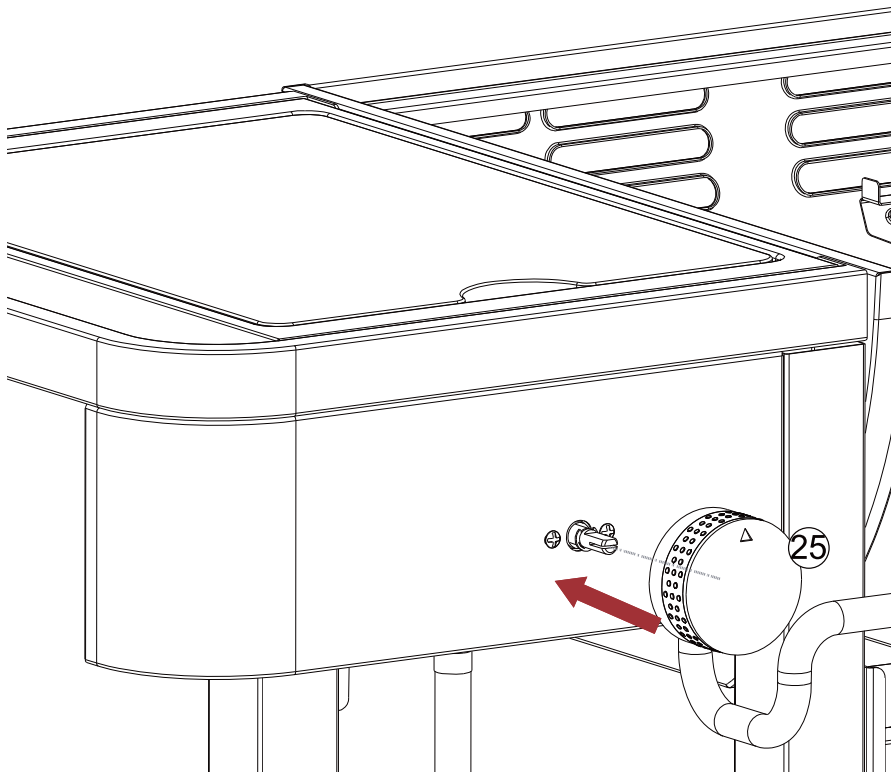
Step19



Step20

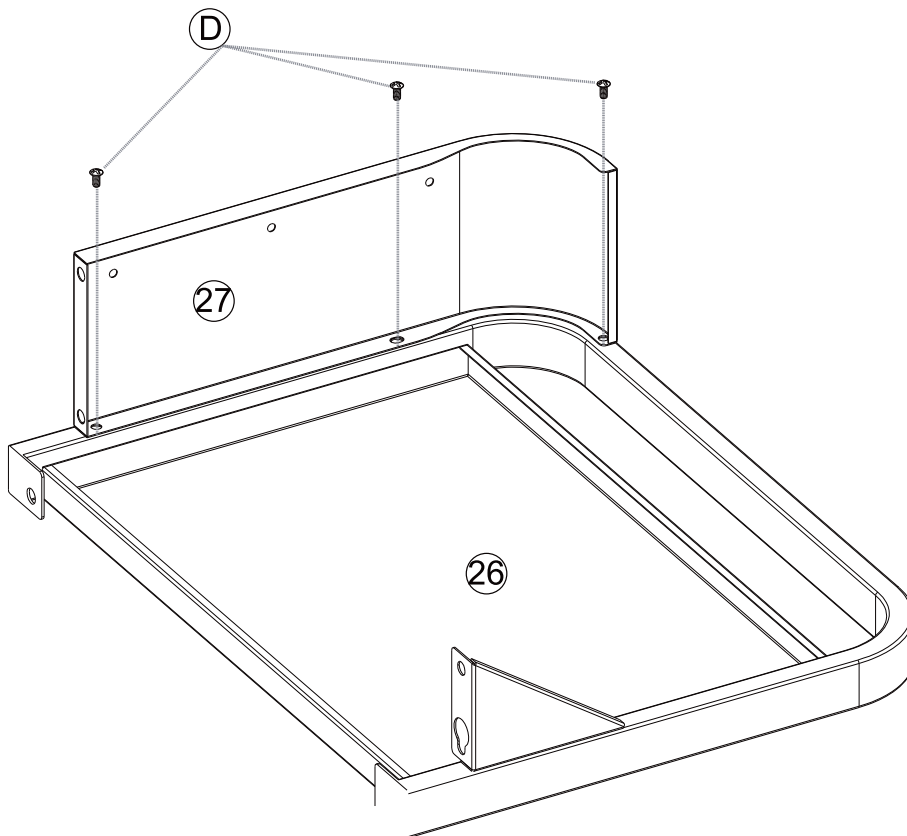


Step21

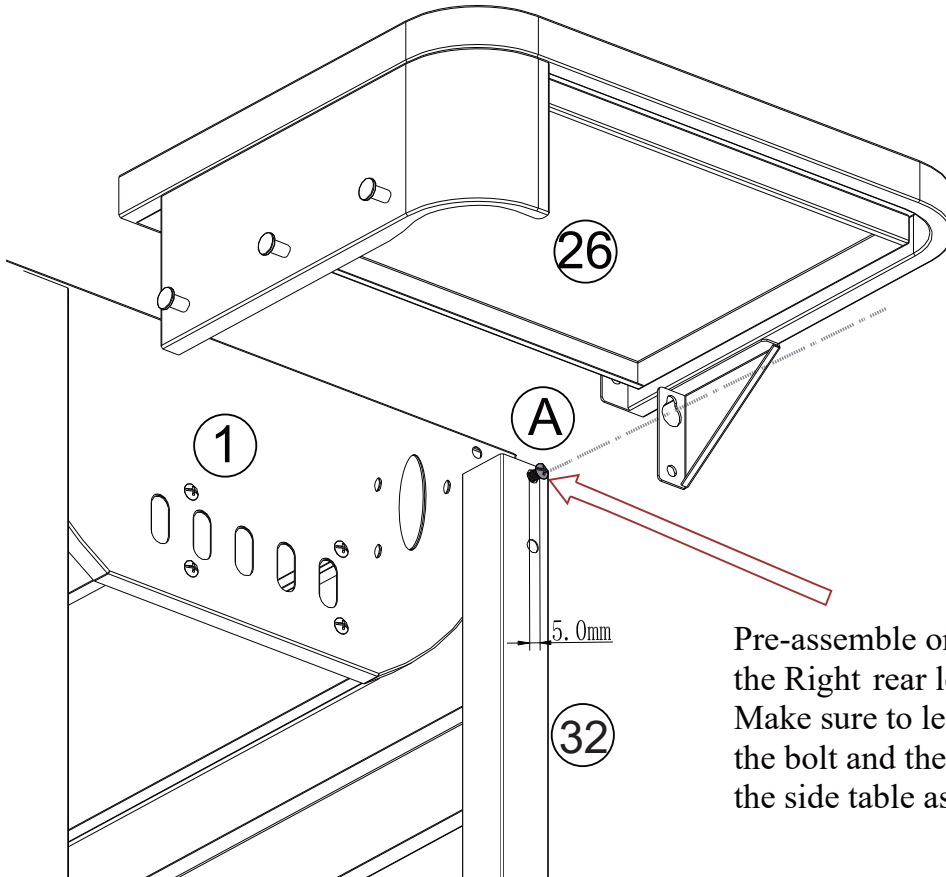


Step22

ⓓ  X3

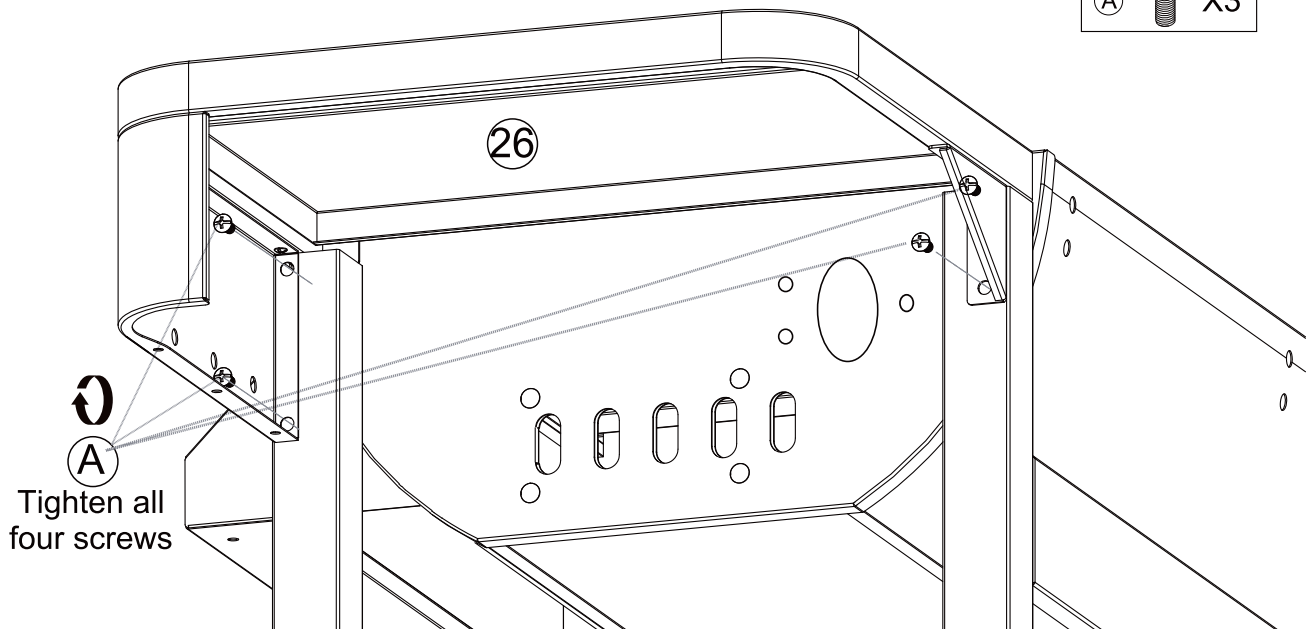
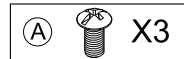


Step23



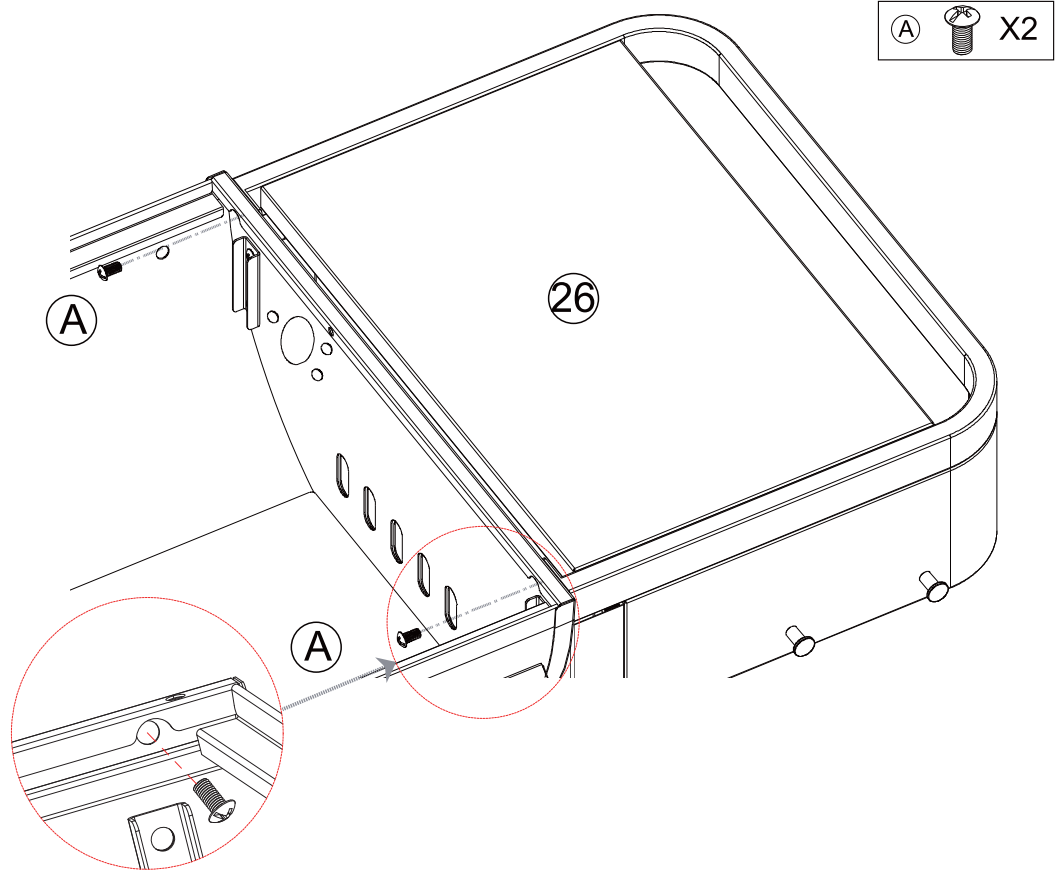
Pre-assemble one M6x12 bolt onto the Right rear leg and do not tighten it. Make sure to leave a 5mm gap between the bolt and the Right rear leg. Then hang the side table assembly on the bolt.

Step24

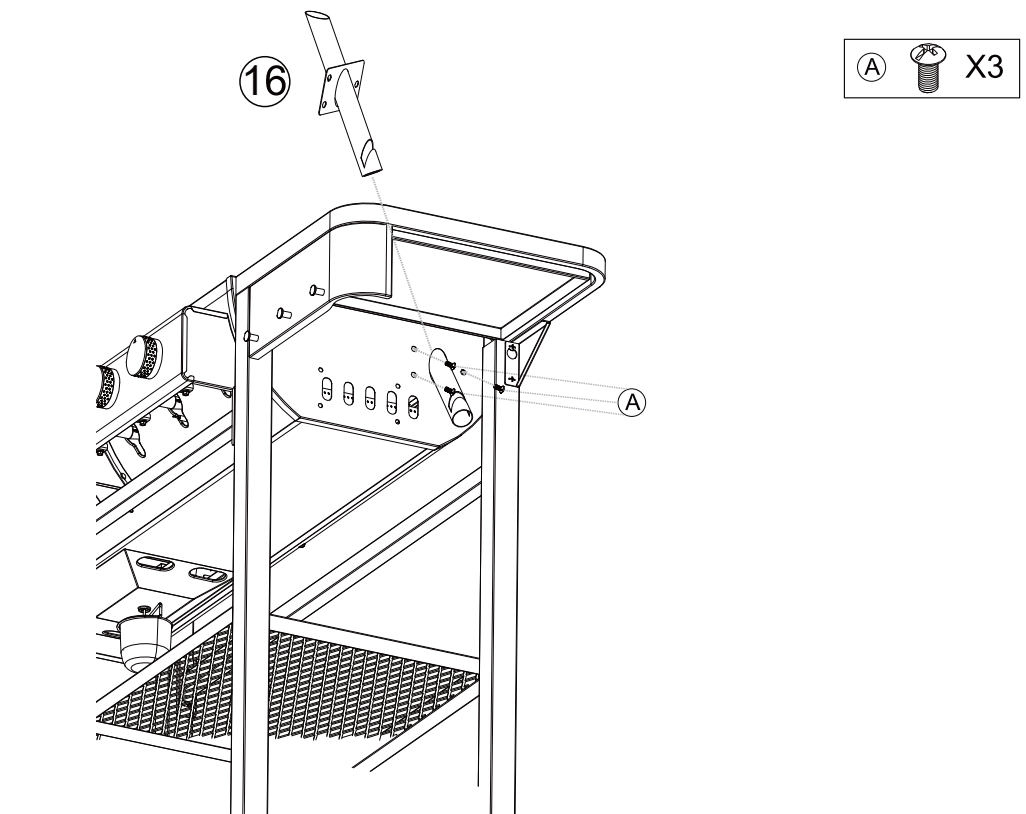


Tighten all four screws

Step25



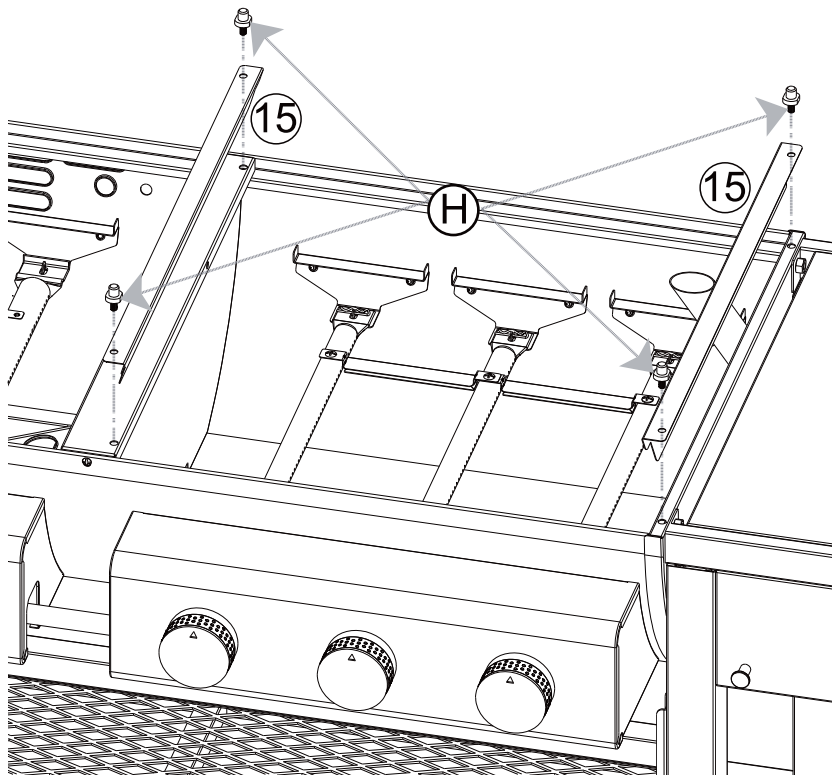
Step26



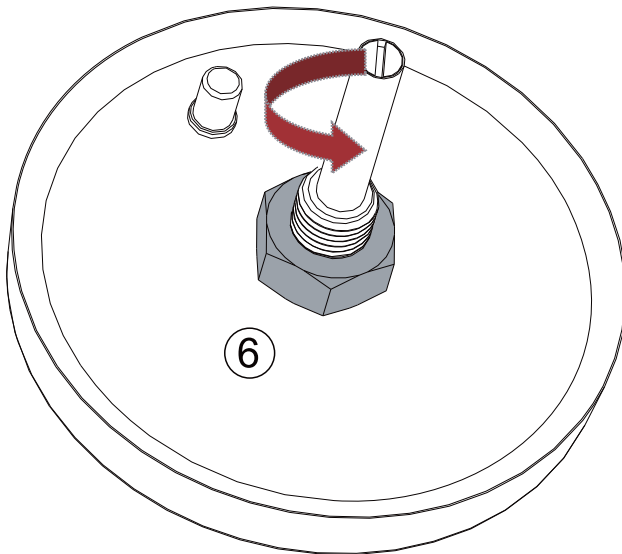
A M6x12 Bolts 3pcs

Step27

⊕  X4



Step28

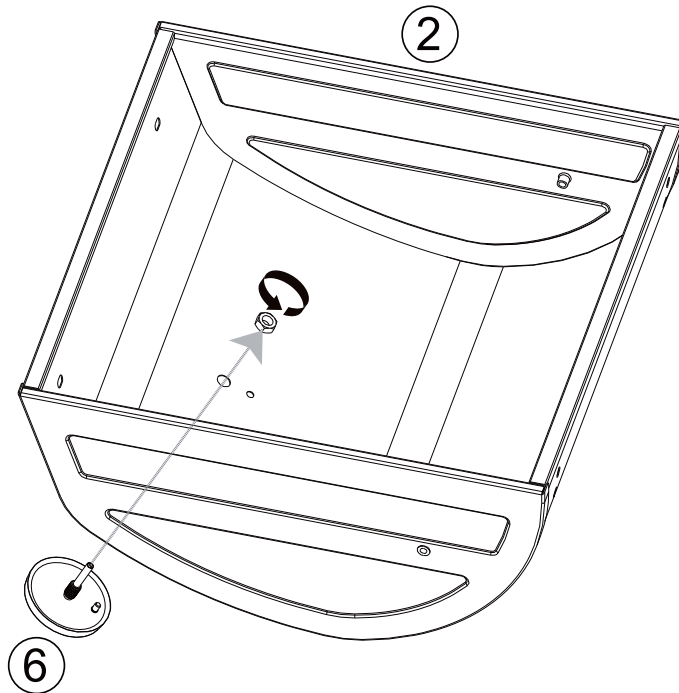



Unscrew



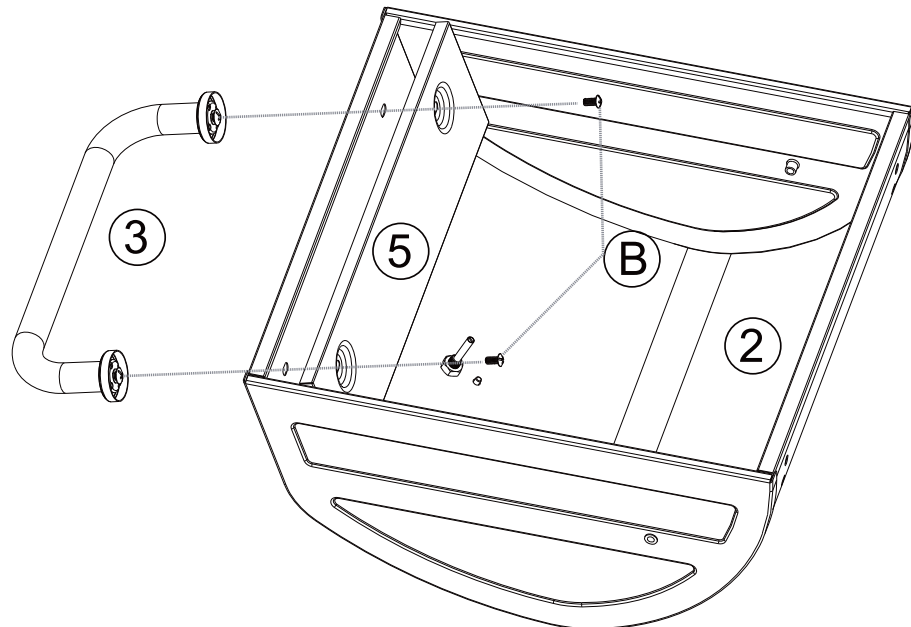
Caution

Step29




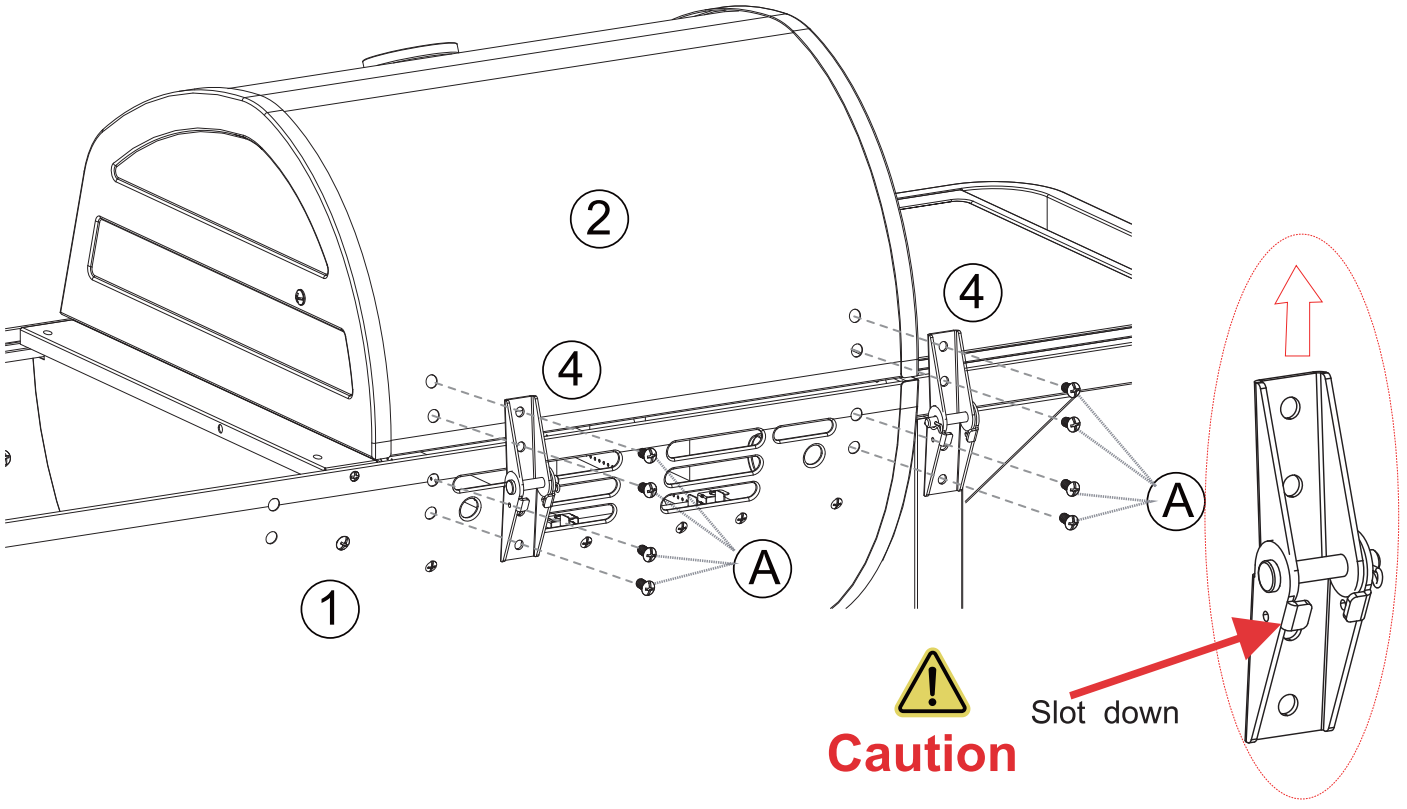
Step30

(B)  X2



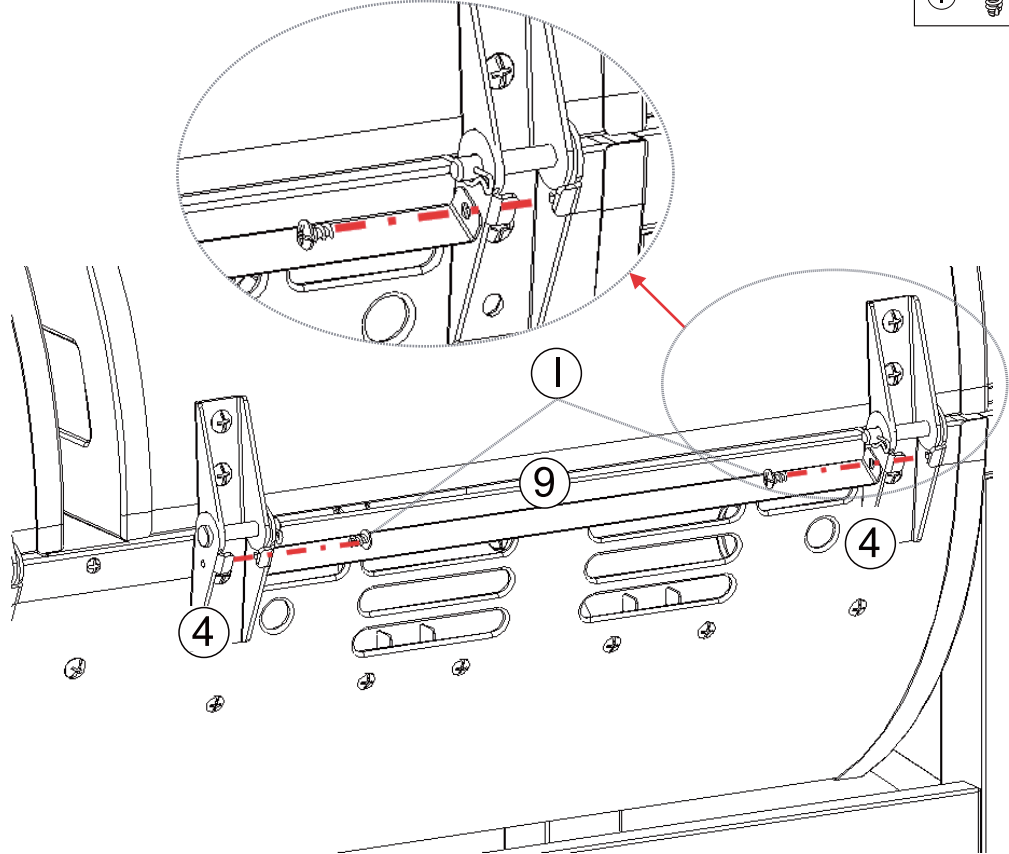
Step31

(A)  X8

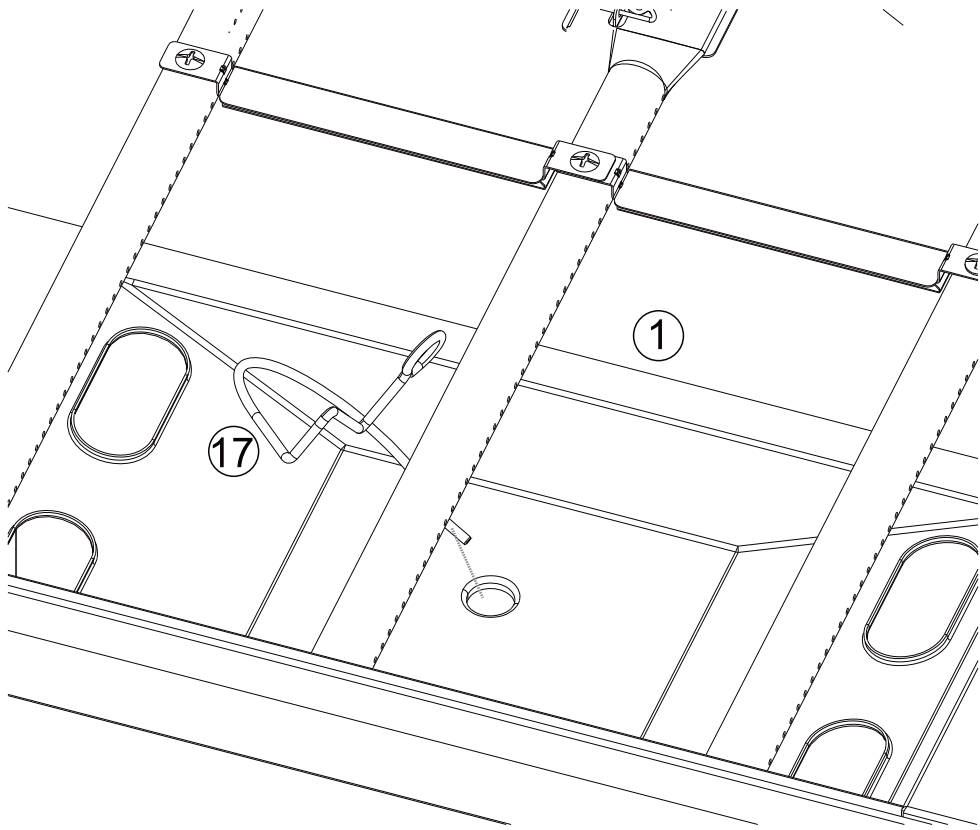


Step32

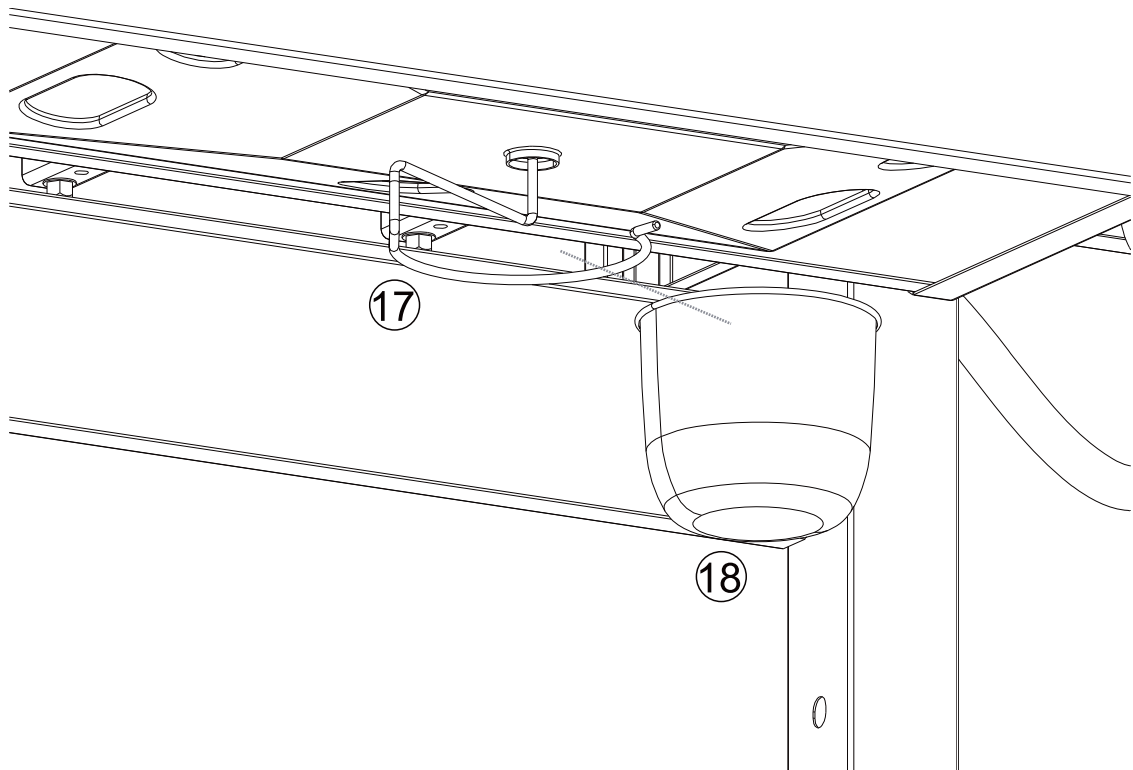
(I)  X2



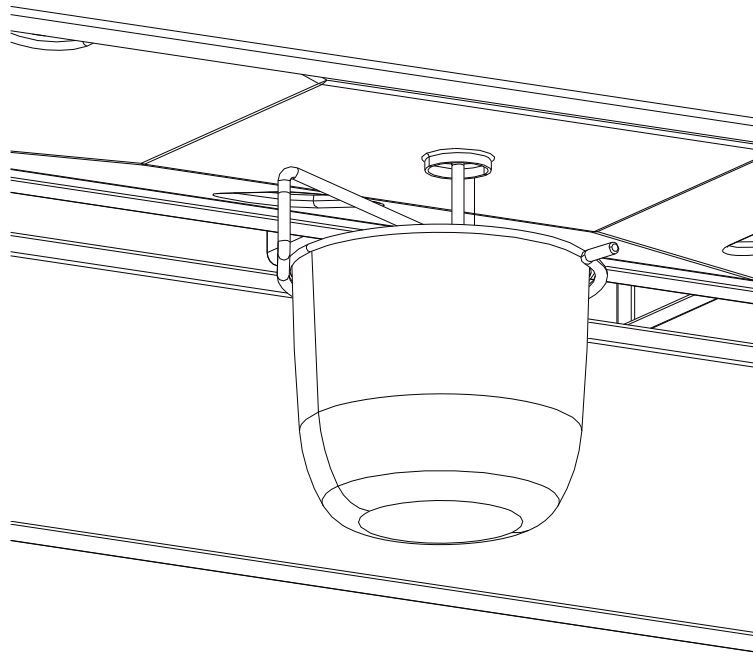
Step33



Step34

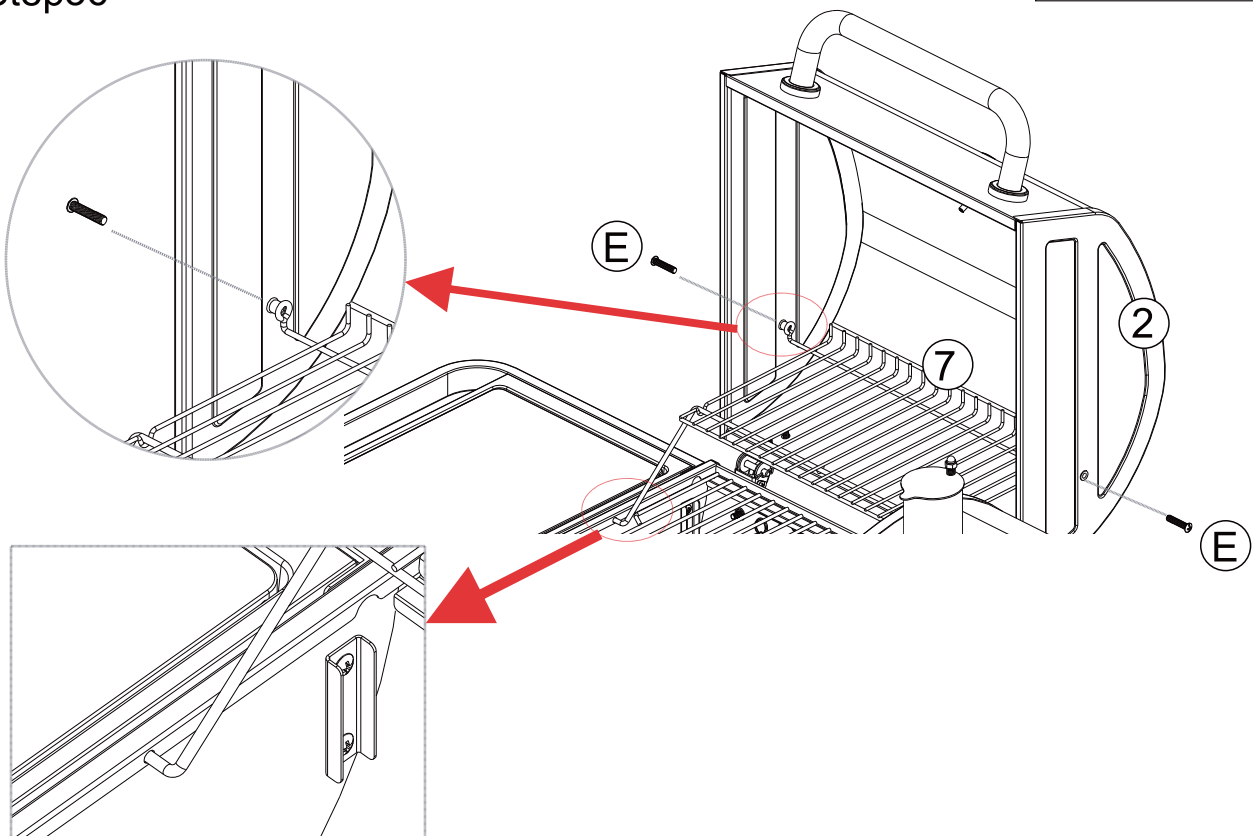


Step35

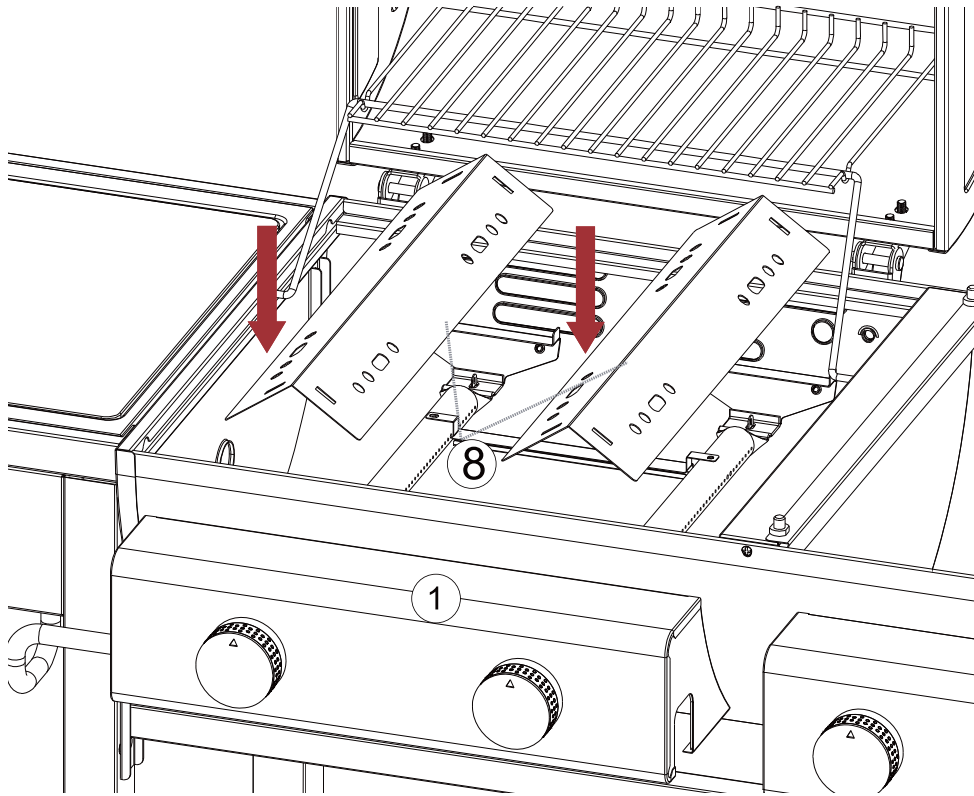


Step36

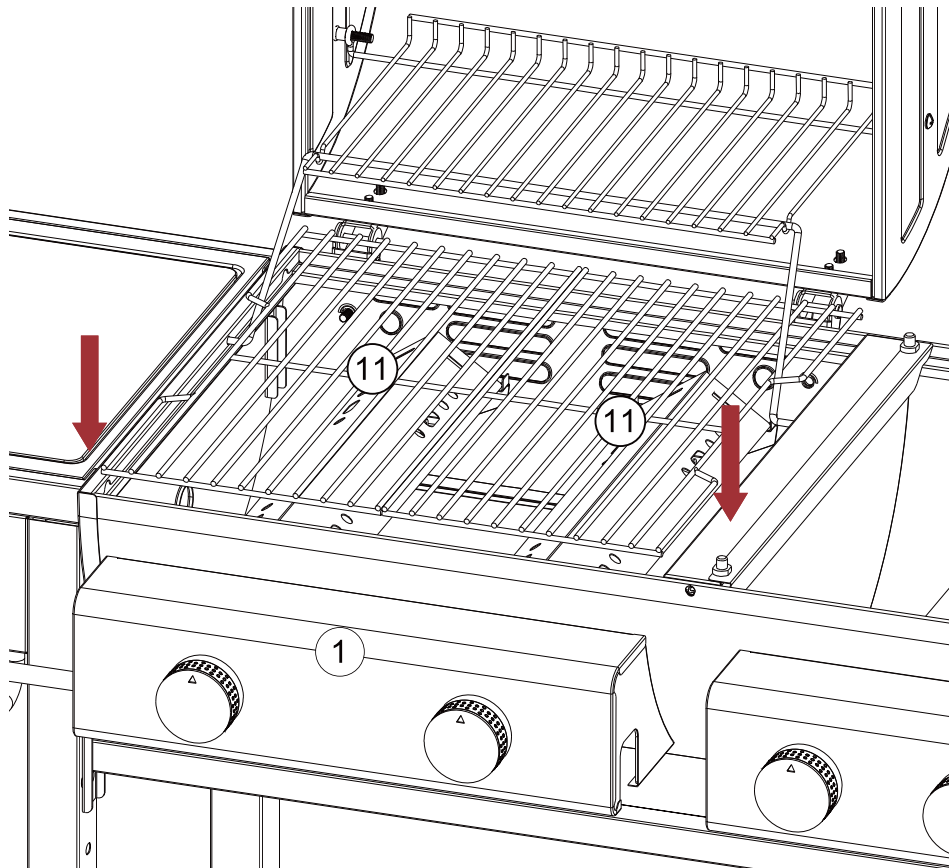
E  X2



Step37

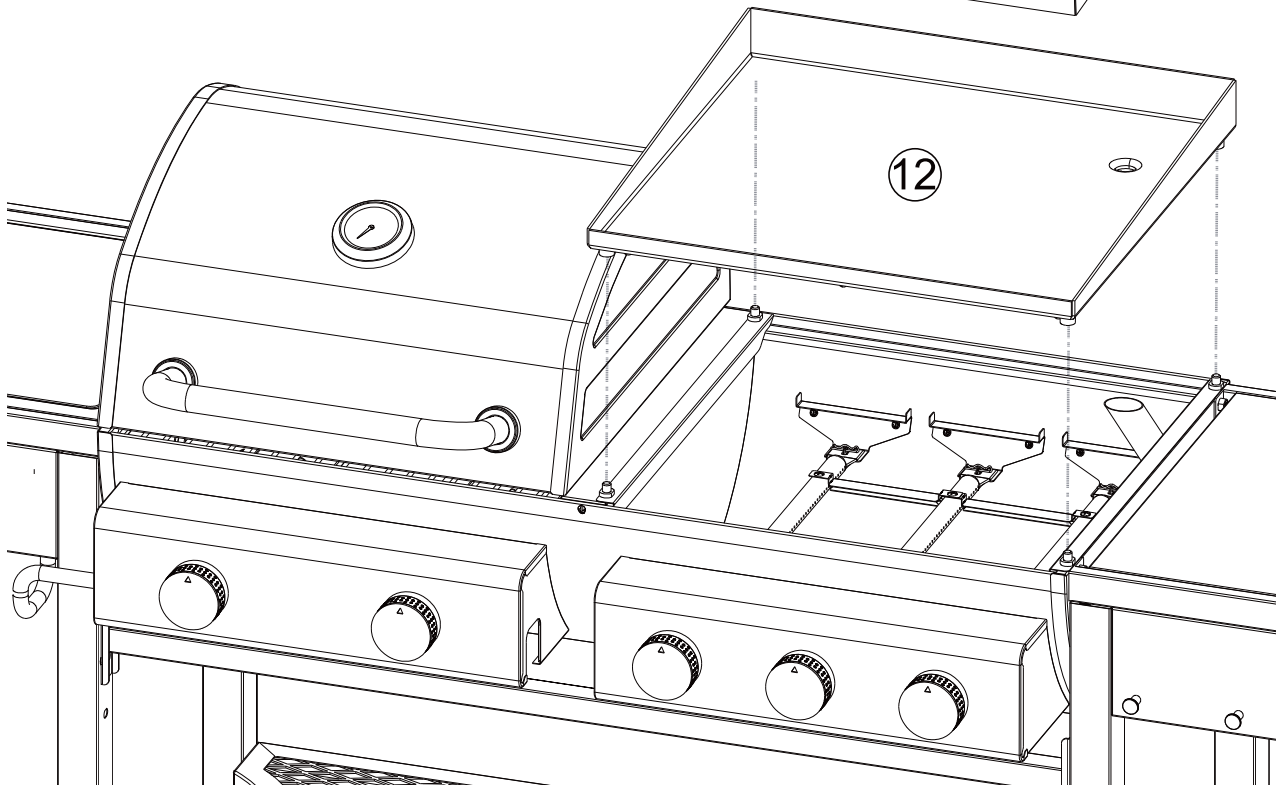
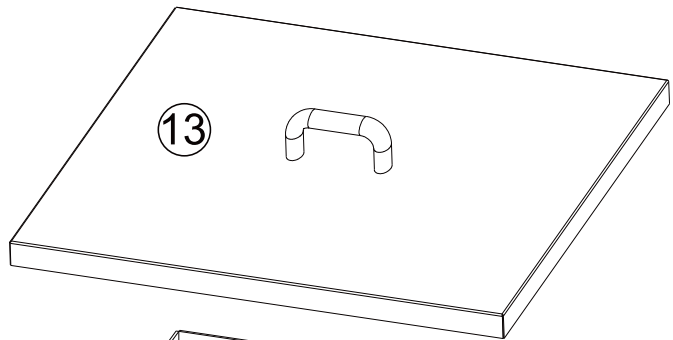
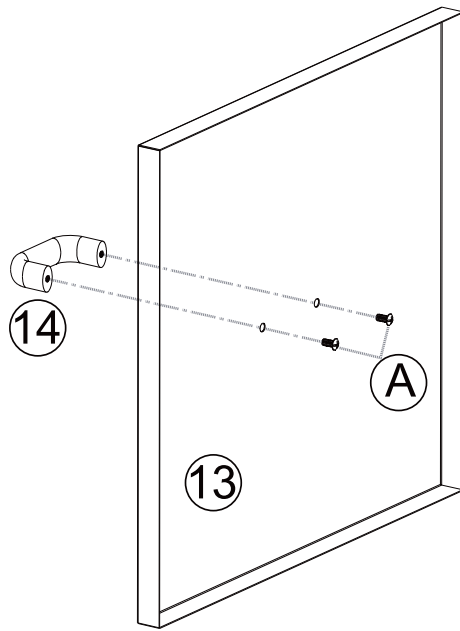


Step38

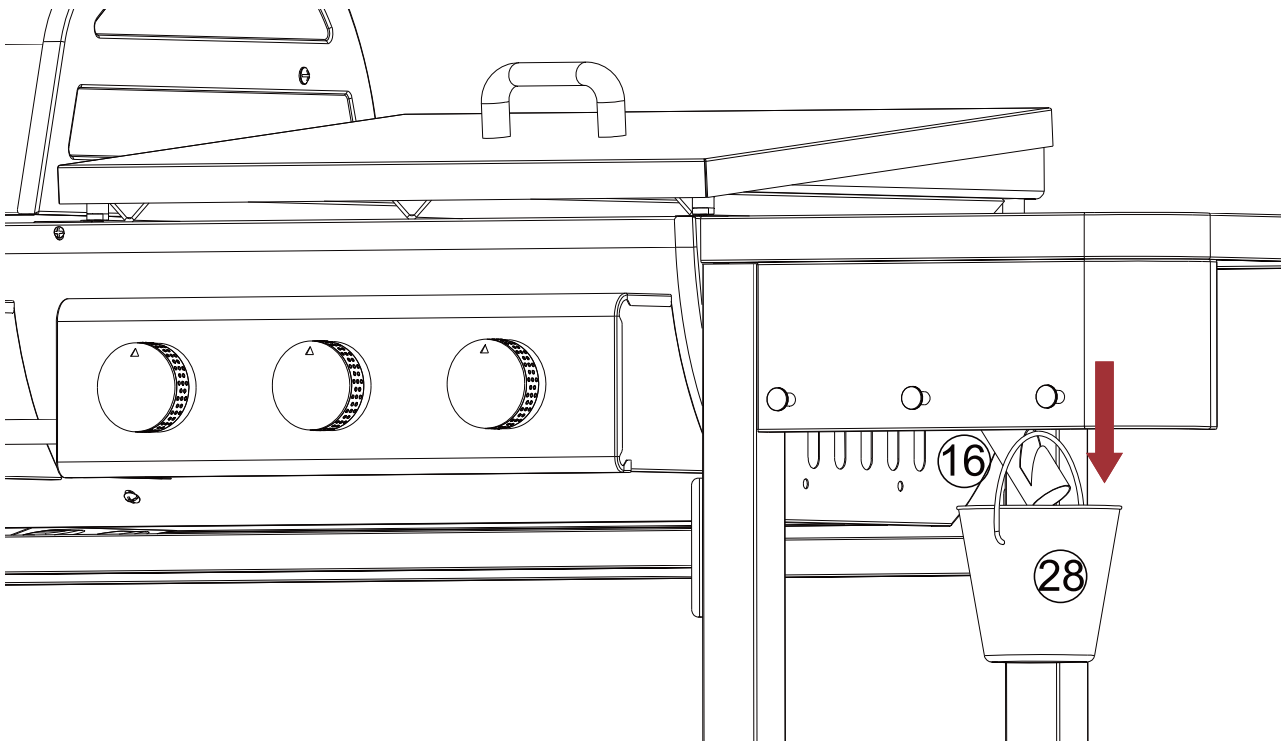


Step39

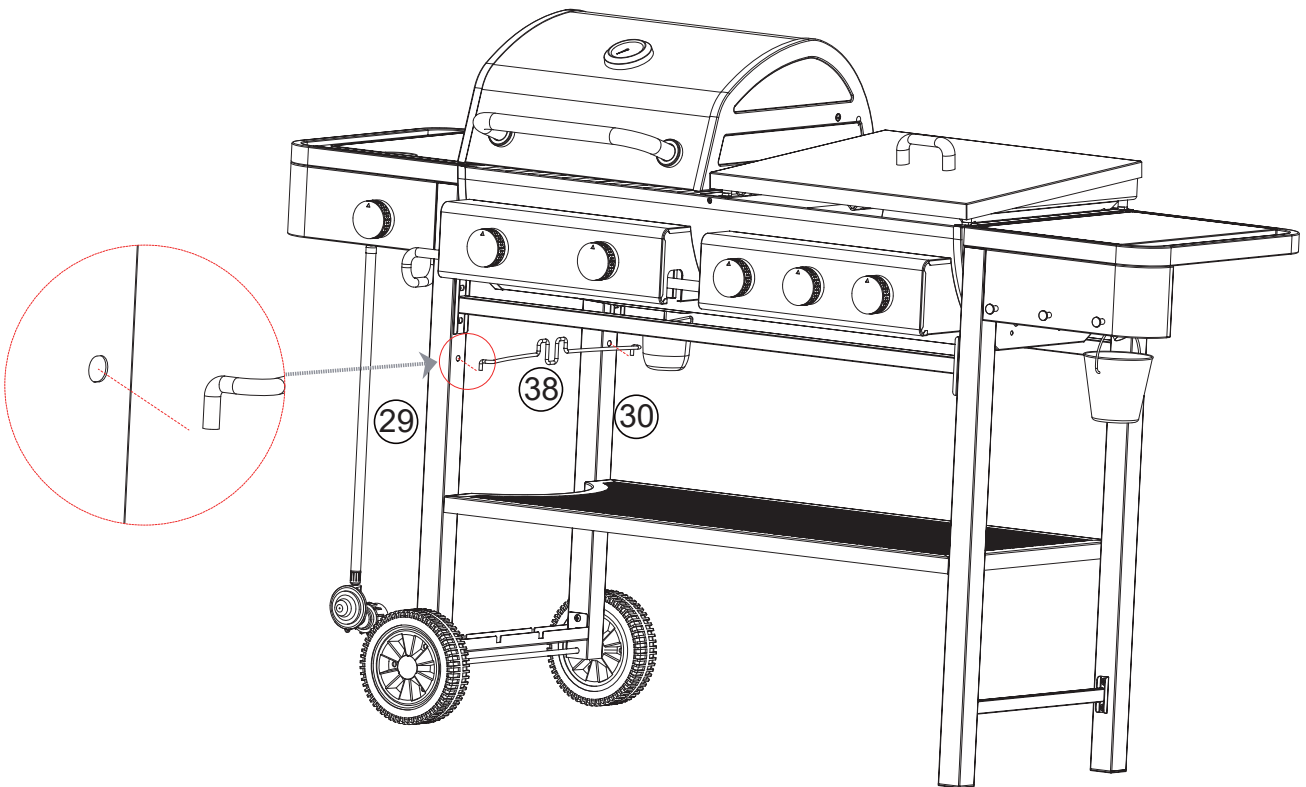
Ⓐ  X2



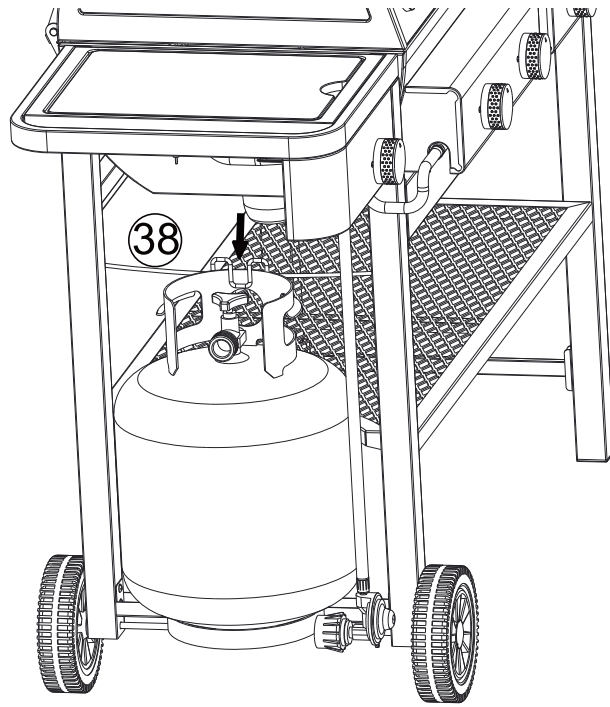
Step40



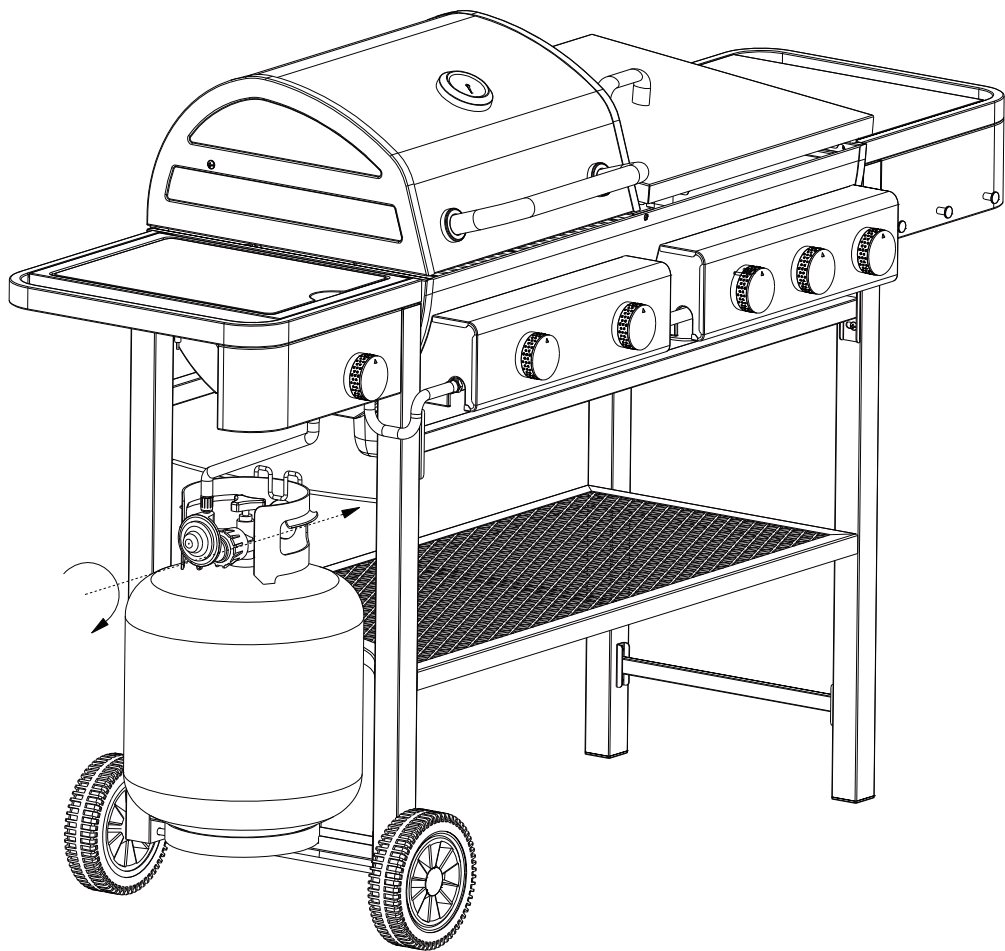
Step41



Step42



Step43



OPERATION INSTRUCTIONS

CHECKING FOR LEAKS

After all connections are made, check all connections and fittings on the LP gas tank valve, gas hose and regulator for leaks with a water and soap solution.

To prevent fire or explosion while testing for a leak:

- Always perform leak test prior to lighting the grill.
- Do not smoke while testing for a leak.
- Always perform leak tests outdoors in a well-ventilated area.
- Do not use any source of flame while testing for leaks.
- Do not use the grill until any and all leaks are corrected.
- If you are unable to correct a leak, disconnect the propane supply and call a gas appliance service dealer.

PERFORM LEAK TEST

- Prepare leak test solution by 50/50 ratio of liquid dish soap and water.

Total solution required is approximately 2 - 3 ounces (70 - 90 ml).

Put leak test solution in a spray bottle.

- Ensure all control knobs are in the OFF position.
- Connect the gas hose to the gas supply.
- Open the LP gas tank valve.
- Spray leak test solution on all gas carrying connections and fittings. Presence of bubbles at areas of applied test solution indicates a gas leak. If leaks are detected or you smell or hear gas, shut off the gas supply valve immediately and repair or replace the defective part. Do not use the grill until all leaks are corrected.

⚠ CAUTION

Only use the regulator and hose assembly provided! If a replacement is necessary, please call our customer service center. Do not use replacement parts that are not intended for this grill.

⚠ WARNING

ALL INSTRUCTIONS AND SAFEGUARDS ON THIS PAGE MUST BE FOLLOWED TO PREVENT FIRE, DAMAGE AND/OR INJURY.

OPERATION INSTRUCTIONS

CONNECTING GAS CYLINDER

The propane gas supply cylinder to be used must be constructed and marked in accordance with the Specifications for LP Gas Cylinders of the U.S. Department of Transportation (D.O.T.) or the National Standard of Canada, CAN/CSA-B339, Cylinders, Spheres and Tubes for Transportation of Dangerous Goods; and Commission, as applicable; and provided with a listed overfilling prevention device.

Use only 20-pound cylinders (height: 18.11 inches, tank diameter: 9.84 inches, foot diameter: 8.03 inches) equipped with a cylinder connection device compatible with the connection for outdoor cooking appliances.

The cylinder must include a collar to protect the cylinder valve. The gas cylinder should not be dropped or handled roughly!

If the appliance is not in use, the gas cylinder must be disconnected. Storage of an appliance indoors is permissible ONLY if the cylinder is disconnected and removed from the appliance. Cylinders must be stored outdoors out of the reach of children and must not be stored in a building, garage or any other enclosed area. Your cylinder must never be stored where temperatures can reach over 125°F.

Place dust cap on cylinder valve outlet whenever the cylinder is not in use. Only install the type of dust cap on the cylinder valve outlet that is provided with the cylinder valve. Other types of caps or plugs may result in leakage of propane.

Before connection, be sure that there is no debris caught in the outlet of the gas cylinder, outlet of the regulator valve or in the outlet of the burner and burner ports. Connect regulator valve and hand-tighten firmly. Keep the propane cylinder valve closed and disconnect the propane cylinder from the regulator valve when the grill is not in use

DO NOT obstruct the flow of combustion air and ventilation air to the grill. The propane cylinder must be arranged for vapor withdrawal and equipped with a listed overfilling prevention device. Please use the proper cylinder orientation to provide vapor withdrawal. NOTE: The cylinder must be fully upright for the cylinder to have vapor with drawal only.



Correct



Wrong



Wrong

⚠ CAUTION

- a. Do not store a spare LP-gas cylinder under or near this appliance.
- b. Never fill the cylinder beyond 80 percent full.
- c. If the information in (a) and (b) is not followed exactly, a fire causing death or serious injury may occur.





OPERATION INSTRUCTIONS

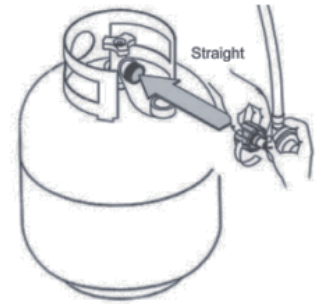
NOTE: Other cylinders may be acceptable for use with this appliance provided they are compatible with the appliance nesting hole and retention means. Refer to Step 25 of the Assembly Instructions for correct cylinder to cylinder holder connection.

⚠ WARNING

ALL INSTRUCTIONS AND SAFEGUARDS ON THIS PAGE MUST BE FOLLOWED TO PREVENT FIRE, DAMAGE AND/OR INJURY.

CONNECTING THE LP TANK

1. The knob on the LP tank must be closed. Make sure that the knob is turned  clockwise to a full stop. The cylinder supply system must be arranged for vapor withdrawal.
2. Check that the control knob on the control unit is turned off.
3. Remove the protective cap from the LP tank valve and coupling nut.
4. Hold the regulator in one hand and insert the nipple into the valve outlet. Be sure the nipple is centered in the valve outlet. The coupling nut connects to the large outside threads on the valve outlet. Use care – do not cross thread the connection.
5. Hand-tighten the coupling nut  clockwise until it comes to a full stop. Firmly tighten by hand only. Do not use tools.
To Disconnect: Fully close the tank valve by turning  clockwise. Turn the coupling nut  counterclockwise until the regulator assembly detaches.



⚠ WARNING

In the connection process, make sure:

- the regulator inlet connector mates with the cylinder valve outlet properly, safely and firmly, and;
- the LP gas hose does not come in contact or remain in contact with the firebox.

OPERATION INSTRUCTIONS

Lighting The Grill

Before first use:

Remove all hangings or plastic straps, if present. Before you cook on your new gas grill, it is important to clean your grill with heat. To do this, operate the grill for approximately 15 minutes with the lid closed and the control knob in the highest position. This will clean the internal parts by burning off any residue and odor from the manufacturing process.

⚠ CAUTION

If the flame extinguishes accidentally during ignition or operation, immediately TURN OFF the cylinder valve and then TURN OFF the control knob.

⚠ WARNING

Do not lean over grill when lighting. Read instructions before lighting.

1. Check that all the control knobs are in off position.
2. Open valve at tank fully by turning counterclockwise.
3. Open lid during lighting.
4. Depress and turn control knob counterclockwise from Off position, past the ⚡ ignite position, to the Max position. You may need to repeat several times to ignite the burner.
If ignition does not occur in 5 seconds, turn the control(s) Off , wait 5 minutes, and repeat the lighting procedure.
5. Repeat step 4 above to ignite all other burner.

CARE AND MAINTENANCE

Cooking Grates

The best time to 'burn-off' the cooking grates is after every use (approx. 15 minutes). The grill is already hot from cooking thus requiring less fuel to obtain necessary temperature for 'burn-off'.

To 'burn off' or heat clean your grill, turn the burners to highest position and run for 15 minutes with the lid closed. Then turn off the burners and use a wire brush to clean excess food residue from the grates.

The porcelain grates have an enamel finish (similar to glass) and should be handled with care not to chip.

⚠ CAUTION

Ensure the grill is cool before cleaning and conducting maintenance and with the gas supply turned off at the LP-Gas Cylinder.

Recommended Cleaning Supplies

Mild liquid dish soap, warm water, nylon cleaning pad, wire brush

DO NOT use cleaners that contain acid, mineral spirits or any abrasive substance.

Outside Surfaces

It is recommended to use only mild dish soap and hot water to clean grill and grill parts.

Rinse with warm water.

Inside Bottom Pan of Grill Body

To avoid flare-ups, the bottom pan of the cooking box should be kept clean on a regular basis.

Remove residue using a brush, scraper and/or cleaning pad. Wash with mild dish soap and warm water. Rinse with warm water. Avoid water splashing into venturi tubes of burners.

Heat Tents

Clean residue with wire brush and wash with mild dish soap and warm water. Rinse with warm water.

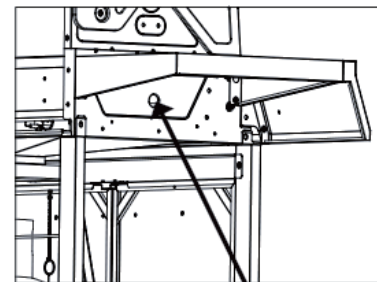
Grease Cup

Empty the grease cup and clean with mild dish soap and warm water on a regular basis.

Checking The Flame

For maximum fuel efficiency and cooking performance, flame should be a blue-yellow color and be between 1- 2 inches high.

To check the flame, view the flame through the holes in both sides of the firebox.



Hole for viewing the flame



CARE AND MAINTENANCE

Removing The Burner Assembly

1. Make sure all control knobs are in the OFF position, gas supply valve is closed, and the gas hose is disconnected from the gas supply.
2. Open lid and remove warming rack, cooking grates, heat tents, clip for burner, ignition chain and main burner.

Cleaning the Burner Assembly

– Make sure the grill is cool

1. Turn gas off at the control knobs and LP gas cylinder.
2. Disconnect LP gas cylinder from regulator and hose.
3. Remove warming rack, cooking grates and heat tents.
4. Detach burner by removing the cotter pins at the back of the burners to detach them from the brackets.
5. Detach ignition wire from electrode by hand only. DO NOT use pliers or any other tool as it may damage the electrode or wire.
6. Lift burner slowly.
7. Ensure all burner ports are clear of clogs. Use of a pin or paper clip works well.
8. Ensure burner is free of any damage. If damage is found, replace with new burner.
9. Ensure the end of the burner and primary air screen are clear from insect nests, dirt or debris.

Re-installing the Burner

Ensure that gas valve orifices are correctly positioned inside burner inlet (venturi).

The use of a flashlight may be necessary to ensure the correct position.

It is recommended to view the correct position through the firebox vent holes as illustrated below.

Reattach each burner with the hinge pin and reattach the ignition wire to electrode.

Other Care and Maintenance

It is recommended that inspection and service on this appliance be conducted annually by a qualified service person.

It is recommended that you always check that the outdoor cooking appliance area is clear and free from combustible material, gasoline and other flammable vapors and liquids before lighting.

It is recommended that you regularly check that the flow of combustion and ventilation air is not obstructed.


It is recommended that you regularly check that the ventilation openings of the grill cabinet are free and clear from debris.

It is recommended that you regularly check and clean the burner/venturi tubes for insects and insect nests. A clogged tube can lead to a fire beneath the grill.

TROUBLESHOOTING

PROBLEM	POSSIBLE CAUSE	CORRECTIVE ACTION
The burner will not light using the ignitor procedure (weak or no spark being generated).	<ol style="list-style-type: none"> 1. The igniter electrode may be covered with grease or residue. 2. The igniter electrode may have a loose or disconnected wire. 3. Cracked or broken ignition electrode. 	<ol style="list-style-type: none"> 1. Clean the ignitor electrode. 2. Check the connection and reconnect any loose or disconnected wires. 3. Replace ignition electrode (see Replacement Parts List).
Low Heat.	<ol style="list-style-type: none"> 1. Insufficient gas pressure to the unit. 	<ol style="list-style-type: none"> 1. Call a qualified service agency to check the gas supply pressure and correct the pressure.
Excessive Flare Ups.	<ol style="list-style-type: none"> 1. Grease and/or residue build-up on heat tents or in firebox. 2. Excessive dripping of fat or marinade from food. 3. Cooking temperature too high. 	<ol style="list-style-type: none"> 1. Clean the grill components. 2. Trim the fat from meat and use non-oil based marinades. 3. Lower temperature accordingly.
The burner will not light with a match.	<ol style="list-style-type: none"> 1. Match not reaching burners (when holding match with hand). 2. Empty tank. 3. Poor connection between valve regulator and LP cylinder coupling. 4. Burner inlet blocked. 	<ol style="list-style-type: none"> 1. Use match holder found in cabinet door. 2. Check fuel level and refill tank if necessary. 3. Turn off grill knobs, close the LP cylinder valve at top of cylinder and check the connection between the regulator valve and cylinder coupling. Disconnect and reconnect, if necessary. 4. Clean the burner inlet (venturi) and burner as described by the Care and Maintenance section in the manual.
No gas flow or an obstructed gas flow.	<ol style="list-style-type: none"> 1. Tank valve not on or fully opened. 2. Empty tank. 3. Poor connection between valve regulator and LP cylinder coupling. 4. Burner inlet blocked. 	<ol style="list-style-type: none"> 1. Fully open tank valve by turning counterclockwise. 2. Check fuel level and replace fuel if necessary. 3. Turn off grill knobs, close the LP cylinder valve at top of cylinder and check the connection between the regulator valve and cylinder coupling. Disconnect and reconnect, if necessary. 4. Clean the burner inlet (venturi) and burner as described by the Care and Maintenance section in the manual.

“



Warm Reminder

If you experience any issues with our product (including missing parts, damage, installation issues, or not meeting expectations), please contact us. We'll ensure satisfactory assistance within 24 hours.

E-mail: vipservice2024@yeah.net ”

When you assembly, you can refer to the installation video and use video of the sale link.