

### Features

- Full-assembly drain includes grid, brass throat and cast iron drain body
- Removable grid plate
- Reversible collar accommodates a range of tile thicknesses
- 3" cast iron drain body inlet to fit 2" and 3" metal connection
- Brass construction drain throat

### Material

- KOHLER finishes resist corrosion and tarnishing

### Installation

- Through-the-floor tile-in installation

### Recommended Products/Accessories

K-23726 Drain treatment



### Codes/Standards

ASME A112.18.2/CSA B125.2

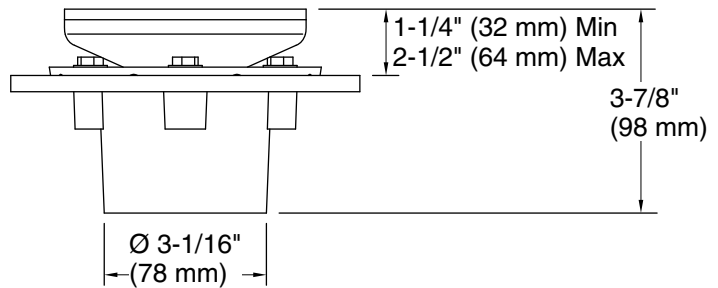
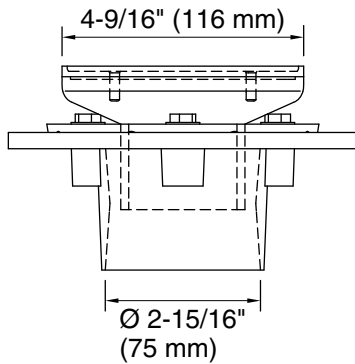
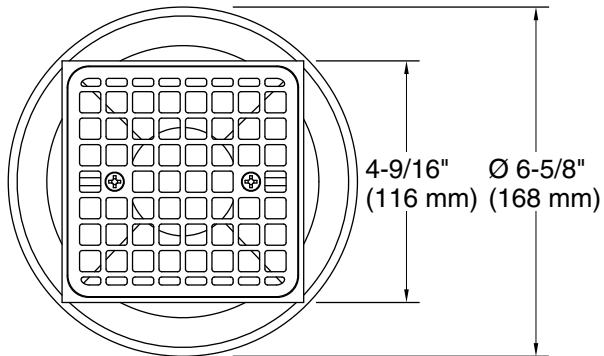
### KOHLER® One-Year Limited Warranty

See website for detailed warranty information.

### Available Colors/Finishes

*Color tiles intended for reference only.*

Color	Code	Description
	CP	Polished Chrome
	SN	Vibrant® Polished Nickel
	AF	Vibrant® French Gold
	BN	Vibrant® Brushed Nickel
	BV	Vibrant® Brushed Bronze
	BL	Matte Black
	DR	Deep Bronze



### Technical Information

All product dimensions are nominal.

Material: Brass

### Notes

Install this product according to the installation instructions.