



## Centerset Faucet Operation and Maintenance Manual



### Warranty

**Limited Lifetime** - for residential installations.  
**10 Years** - for commercial/industrial installations.  
Refer to [www.symmons.com/warranty](http://www.symmons.com/warranty) for complete warranty information.



### Product Care

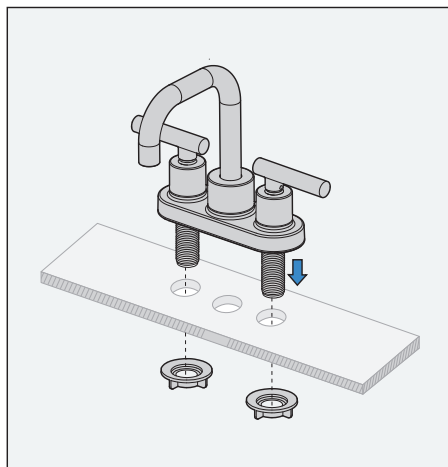
Clean finished trim area with a soft cloth using mild soap and water or a non-abrasive cleaner, and then quickly rinse with water.

### Installation Instructions

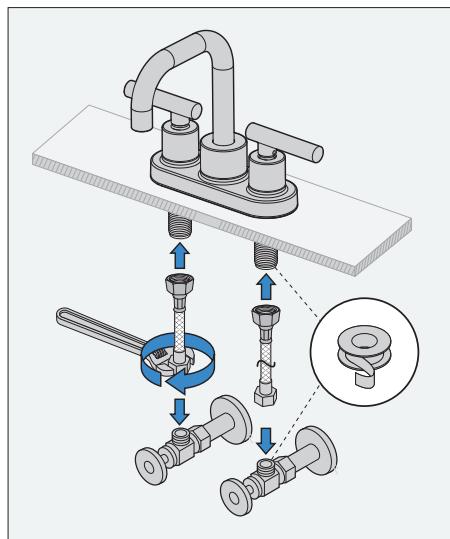


If replacing an older faucet, ensure water supply is turned OFF before removing, then turn faucet control valve ON to relieve water pressure.

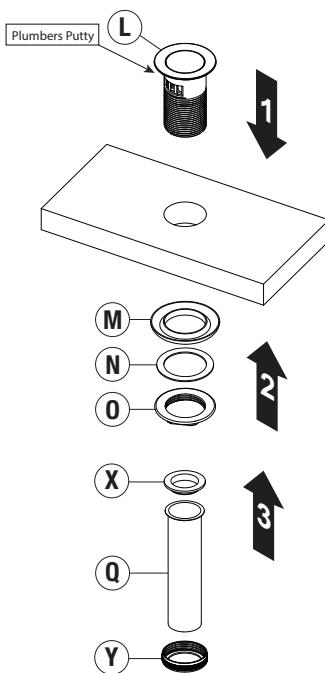
1) Attach faucet to sink.



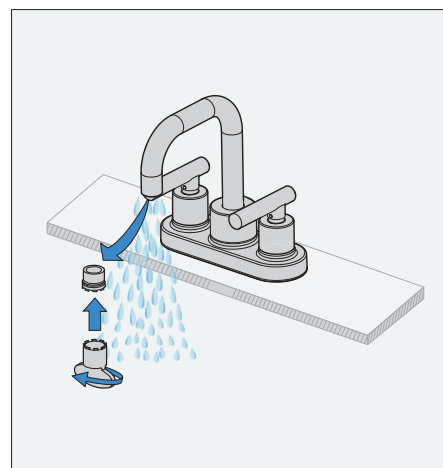
2) Connect water supply lines.



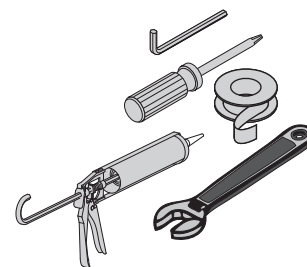
3) **Push-Pop Install:** Insert drain body (L) into drain opening. From below, tighten locking nut (O) with gasket (M) and washer (N) to flange. Tighten nut (Y) with washer (X) to secure tail-piece (Q). **DO NOT** overtighten.



4) Flush water supply lines.

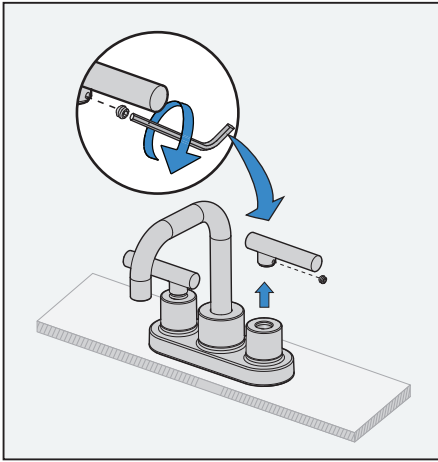


### Tools and Supplies Required:

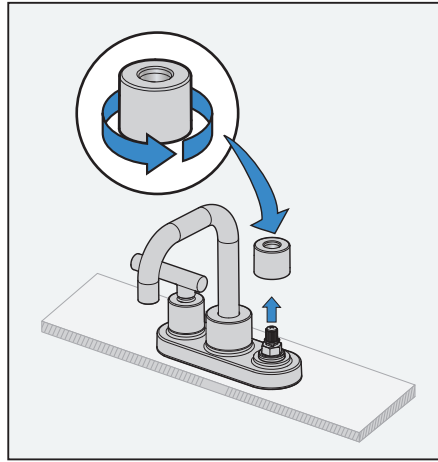


## Maintenance

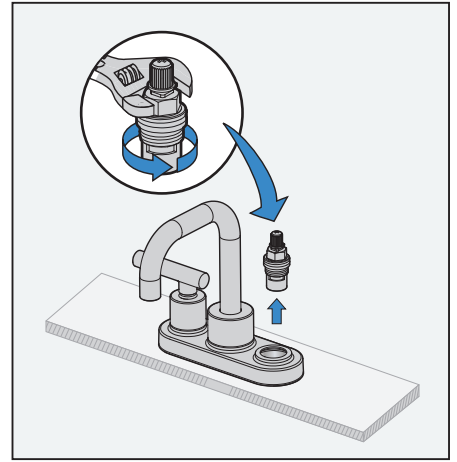
1) Remove handle from faucet.



2) Remove escutcheon from cartridge.



3) Remove cartridge from body and replace.



**⚠ WARNING:** This product can expose you to chemicals including lead, which is known to the state of California to cause cancer, birth defects, or other reproductive harm. For more information, go to [www.P65Warnings.ca.gov](http://www.P65Warnings.ca.gov).