

### Features

- For use in bath/shower and shower only installations
- Designed for new installations or retrofit to replace an existing installed shower arm
- For use with temperature/volume control mixing valve (mixing valve sold separately)
- For use with Kohler handshowers and shower hoses
- Showerhead, handshower, and shower hose are sold separately to allow for customized decor and functionality
- Slidebar bracket allows you to adjust height and angle of handshower

### Material

- Premium metal construction for durability and reliability
- KOHLER finishes resist corrosion and tarnishing

### Installation

- Wall-mount
- Installs in less than 60 minutes without changes to in-wall plumbing (subject to condition of existing installation)
- For use in bath and shower installations
- Includes an adapter that will fit with most installations but may require K-1194630, K-1187917 or K-1194302

### Adapters, Rough-in and Extension Kits

1194630	Range: 2-7/8" (73 mm) - 4" (102 mm)
1187917	Range: 0" (0 mm) - 1-3/8" (35 mm)
1194302	Range: 1-1/4" (32 mm) - 2-1/4" (57 mm)

### Recommended Products/Accessories

- K-8593 72" Shower Hose
- K-9514 60" Shower Hose
- K-45981 72" ribbon hose
- K-45982 60" ribbon hose



ADA

### Codes/Standards



ASME A112.18.1/CSA B125.1  
ADA

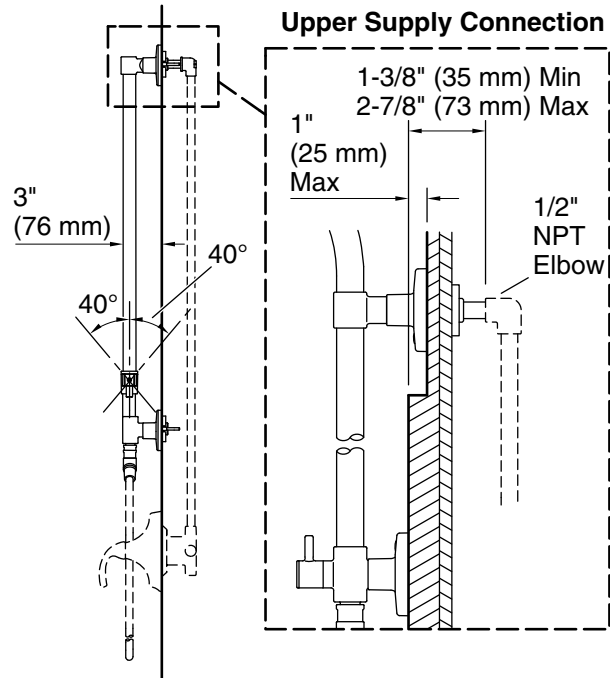
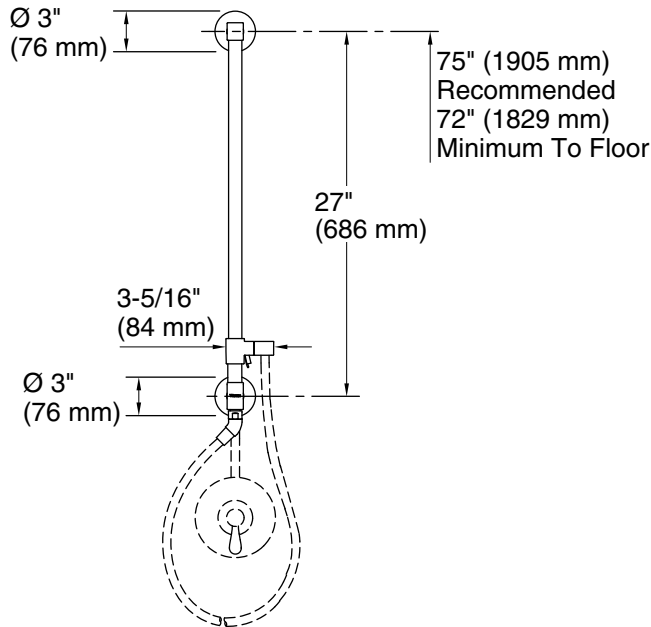
### KOHLER® Faucet Lifetime Limited Warranty

See website for detailed warranty information.

### Available Colors/Finishes

*Color tiles intended for reference only.*

Color	Code	Description
	AF	Vibrant® French Gold
	2MB	Vibrant® Brushed Moderne Brass



**NOTE:** Valve trim and hose illustrated for dimensioning only, not included in the product.

### Technical Information

All product dimensions are nominal.

### Spout:

### Notes

Install this product according to the installation guide.

Order deep roughing-in kit 1194630 if the distance from the elbow to the finished wall surface is between 2-7/8" (73 mm) to 4" (102 mm).

Order shallow roughing-in kit 1187917 if the distance from the elbow to the finished wall surface is less than 1-3/8" (35 mm).

A 3" (76 mm) escutcheon/mounting collar is supplied to fit a 1" (25 mm) to 1-1/4" (32 mm) supply connection hole diameter. Order 1194302 large escutcheon/mounting collar kit if the supply connection hole diameter is between 1-1/4" (32 mm) to 2-1/4" (57 mm).

ADA compliant when installed to the specific requirements of these regulations.