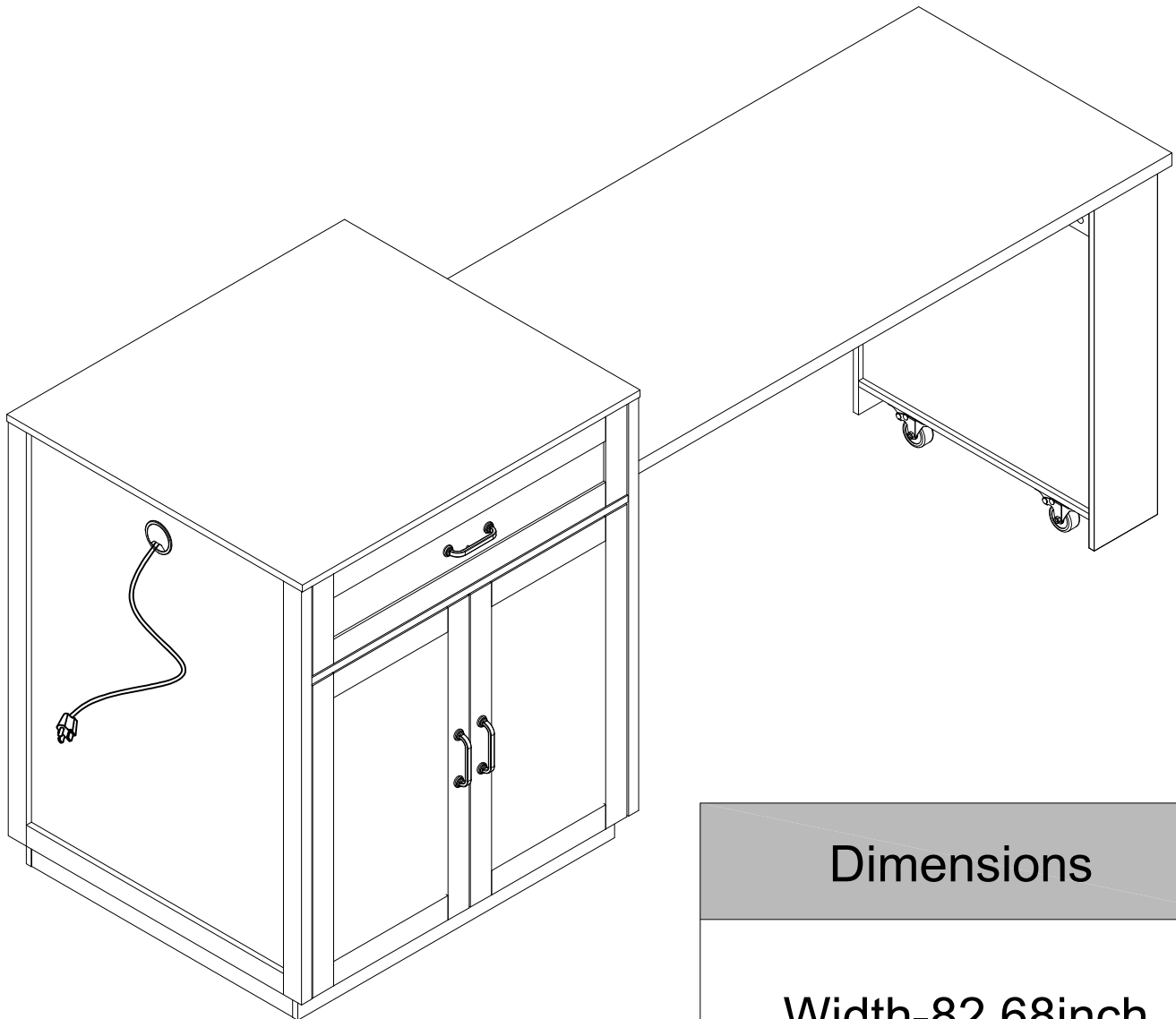


Extendable Kitchen Island

Assembly Instructions - Please keep for future reference

N707P202313 / N707P202318



Dimensions

Width-82.68inch

Depth-27.56inch

Height-36.22inch

Important - please read these instructions fully before starting assembly



Safety and Care Advice

Important – Please read these instructions fully before starting assembly

- Check you have all the components and tools listed on the following pages.
- Remove all fittings from the plastic bags and separate them into their groups.
- Keep children and animals away from the work area, small parts could choke if swallowed.
- Make sure you have enough space to layout the parts before starting.

- During assembly do not stand or put weight on the product, this could cause damage.
- Assemble the item as close to its final position (in the same room) as possible.
- Assemble on a soft level surface to avoid damaging the unit or your floor.
- Parts of the assembly will be easier with 2 people.



power drill is set on a low torque setting.

- To reduce the likelihood of damaging your product please ensure that your

Care and maintenance

- Only clean using a damp cloth and mild detergent, do not use bleach or abrasive cleaners.
- From time to time check that there are no loose screws on this unit.
- This product should not be discarded with household waste. Take to your local authority waste disposal centre.

Handy Hints

- Assemble all parts and bolts loosely during assembly, only once the product is complete should you fully tighten the bolts
- Regularly check and ensure That all bolts and fittings are tightend properly.

WARNING
In order to help prevent overturning – please follow these instructions

To help prevent product toppling over please follow the below steps:-

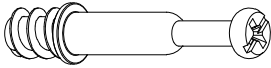
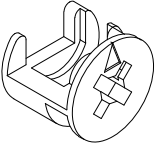
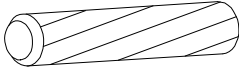
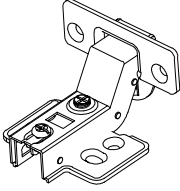



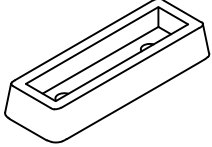
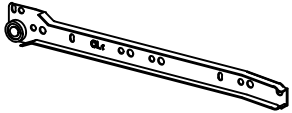
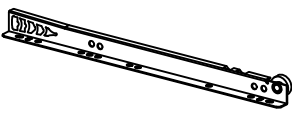
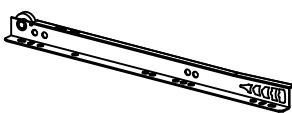
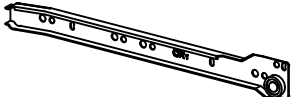

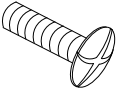
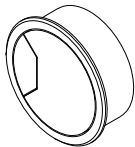
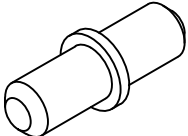
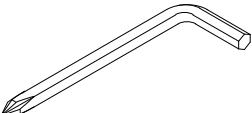
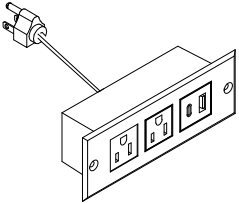
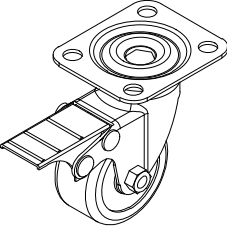
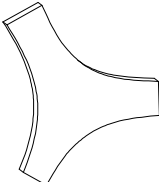
- Use the anti tip stap or wall fixing method provided (if applicable)
- Do not allow children to climb or hang on the furniture
- Do not open more than one drawer at a time
- Do not place heavy items in the top drawers
- Do not place heavy items on top of the furniture, unless the furniture has been designed for this purpose

Components - Fittings

Please check you have all the panels listed below

Note: The quantities below are the correct amount to complete the assembly. In some cases, more fittings may be supplied than required.

HARDWARE BOX INSIDE BOX 2

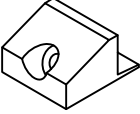



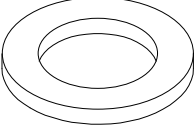
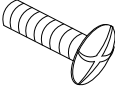
<p>A QTY: 86</p> 	<p>B QTY: 86</p> 	<p>C QTY: 62</p>  <p>Ø6*30mm</p>	<p>D QTY: 4</p> 
CAM BOLT	CAM LOCK	WOOD DOWEL	HINGES
<p>E QTY: 32</p>  <p>Ø7*12mm</p>	<p>F QTY: 4</p>  <p>Ø7*12mm</p>	<p>G QTY: 22</p>  <p>Ø8*35mm</p>	<p>H QTY: 1</p> 
FLAT HEAD SCREW	FLAT HEAD SCREW	FLAT HEAD SCREW	RUBBER DOOR STOPPER
<p>CL QTY: 2</p> 	<p>DL QTY: 2</p> 	<p>DR QTY: 2</p> 	<p>CR QTY: 2</p> 
ROLLER RUNNER	ROLLER RUNNER	ROLLER RUNNER	ROLLER RUNNER
<p>I QTY: 4</p> 	<p>J QTY: 4</p>  <p>Ø8*12mm</p>	<p>K QTY: 1</p> 	<p>L QTY: 4</p> 
HANDLE	BOLT	SOCKET COVER	SHELF PIN
<p>M QTY: 1</p> 	<p>N QTY: 1</p> 	<p>O QTY: 2</p> 	<p>P QTY: 1</p> 
ALLEN WRENCH	SOCKET	LOCK CASTER	CAM TOOL

Components - Fittings

Please check you have all the panels listed below

Note: The quantities below are the correct amount to complete the assembly. In some cases, more fittings may be supplied than required.

HARDWARE BOX INSIDE BOX 2

<p>Q QTY: 6</p> 	<p>R QTY: 6</p>  <p>Ø6*19mm</p>	<p>S QTY: 24</p>  <p>Ø7*12mm</p>	<p>T QTY: 3</p>  <p>Ø8*19mm</p>
<p>BACK PANEL BRACKET</p>	<p>FLAT HEAD SCREW</p>	<p>FLAT HEAD SCREW</p>	<p>FLAT HEAD SCREW</p>
<p>U QTY: 8</p> 	<p>V QTY: 4</p>  <p>Ø8*15mm</p>		
<p>FLAT WASHER</p>			

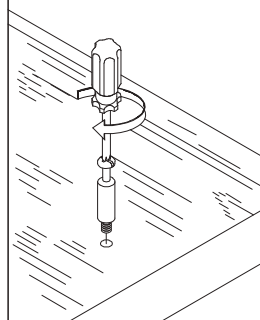
Using Camlocks

Step 1

Connect the male camlock as directed in the assembly instructions using a screwdriver.

1

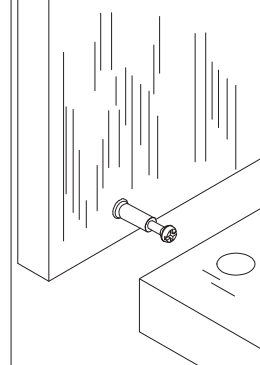
DO NOT OVER TIGHTEN.
NE PAS SERRER EXCESSIVEMENT.



Step 2

Push the male camlock into the entry hole.

2

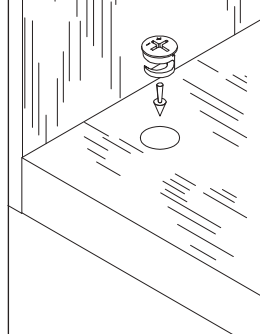


Step 3

Insert the female camlock as shown in the instruction.

Note: ensure that the arrow on the top of the camlock points towards the entry hole for the male camlock.

3



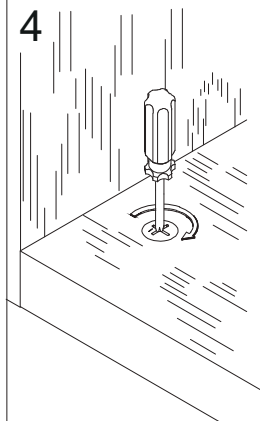
Step 4

Turn the female camlock clockwise with a screwdriver.

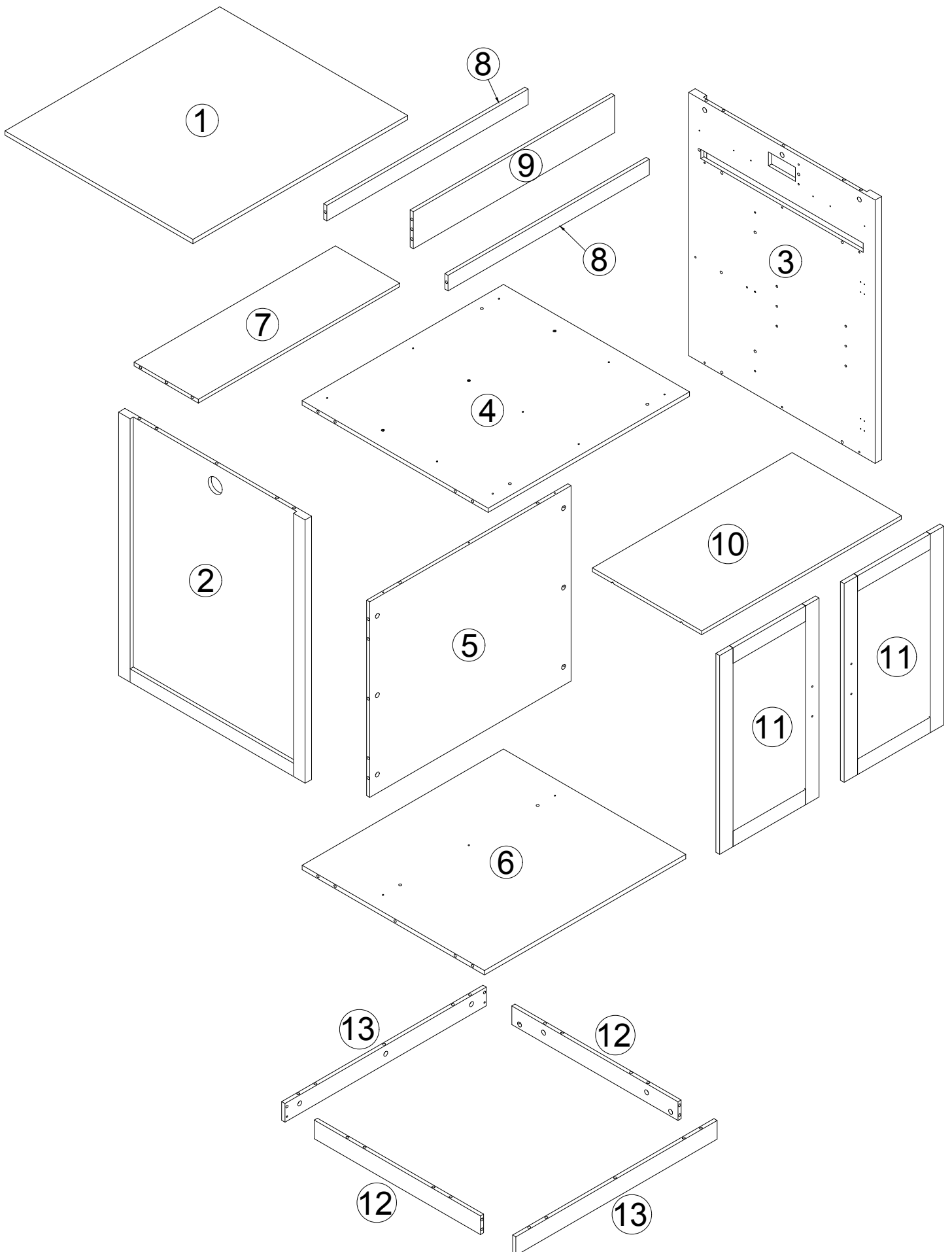
You should feel a click when the camlock is locked in place.

The joint is now secure.

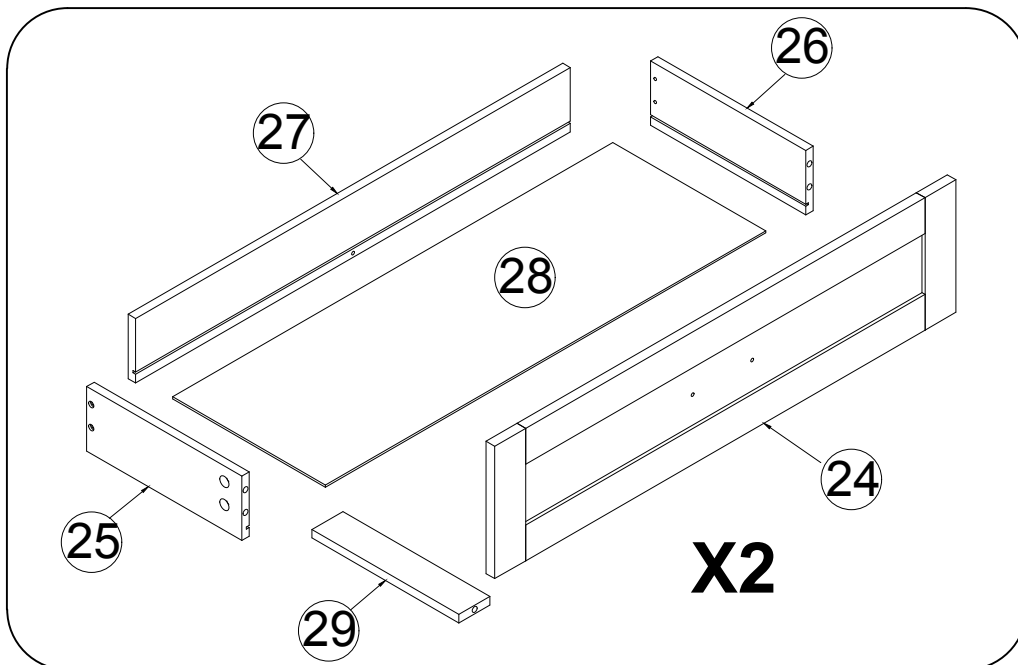
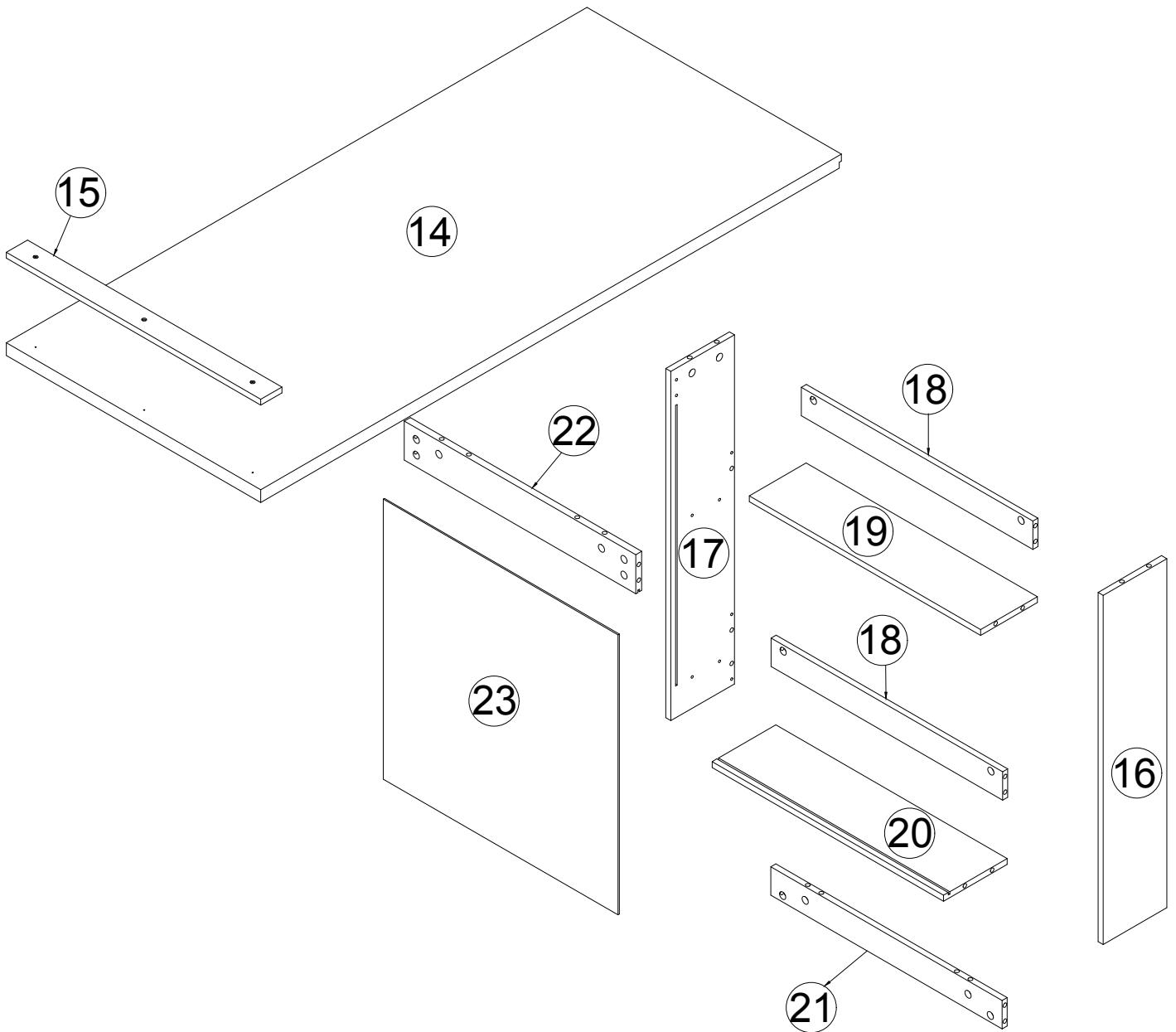
4



COMPONENTS - KEY DIAGRAM

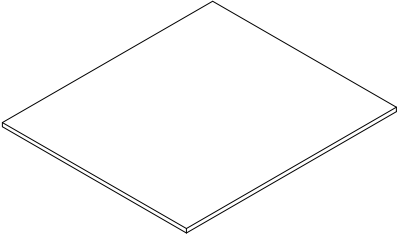
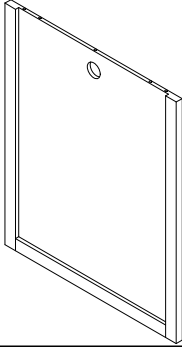
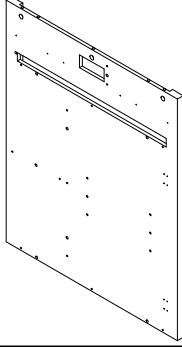
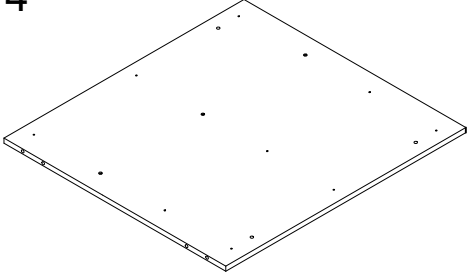
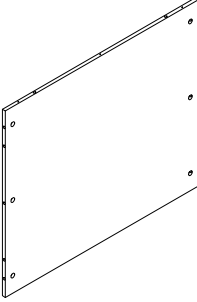
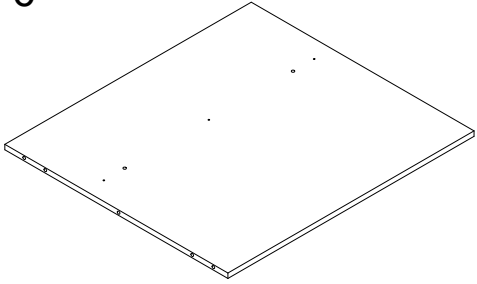
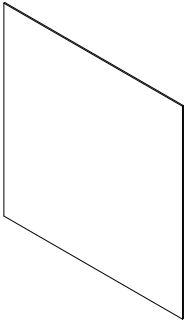
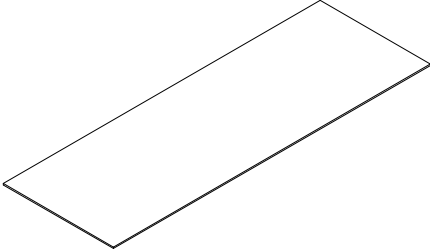


COMPONENTS - KEY DIAGRAM

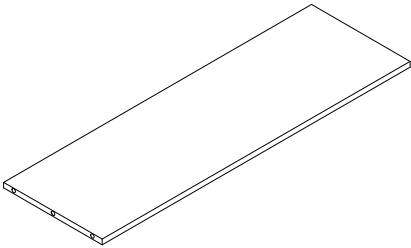
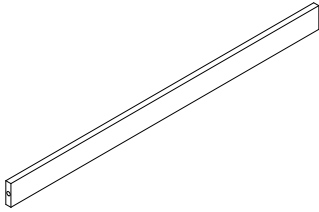
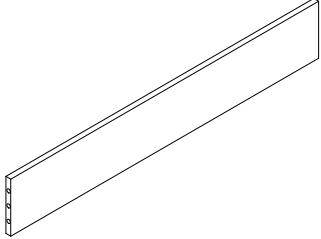
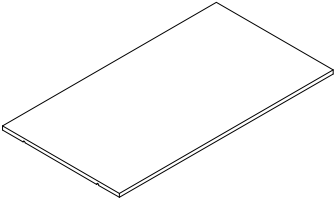
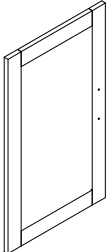
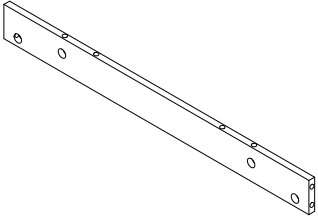


COMPONENTS - KEY DIAGRAM

BOX 1: N707P202318B/N707P202318W

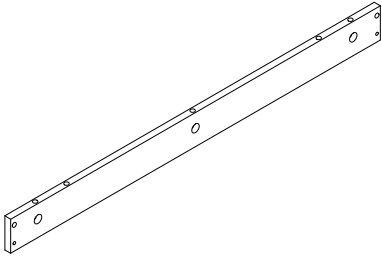
<p>1</p> 	<p>2</p> 	<p>3</p> 
<p>TOP PANEL QTY: 1</p>	<p>LEFT PANEL QTY: 1</p>	<p>RIGHT PANEL QTY: 1</p>
<p>4</p> 	<p>5</p> 	<p>6</p> 
<p>TOP SHELF PANEL QTY: 1</p>	<p>MIDDLE SHELF PANEL QTY: 1</p>	<p>BOTTOM PANEL QTY: 1</p>
<p>23</p> 	<p>28</p> 	
<p>MIDDLE PANEL QTY: 1</p>	<p>DRAWER BOTTOM QTY: 2</p>	

BOX 2: N707P202313B/N707P202313W

<p>7</p> 	<p>8</p> 	<p>9</p> 
<p>BACK RAIL QTY: 1</p>	<p>TOP BACK RAIL QTY: 2</p>	<p>TOP RAIL QTY: 1</p>
<p>10</p> 	<p>11</p> 	<p>12</p> 
<p>MIDDLE SHELF QTY: 1</p>	<p>DOOR QTY: 2</p>	<p>BOTTOM RAIL QTY: 2</p>

COMPONENTS - KEY DIAGRAM

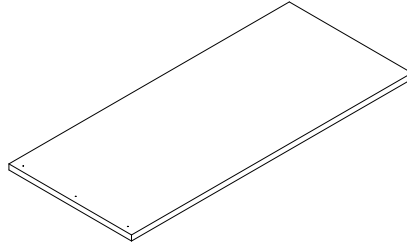
13



BOTTOM RAIL

QTY: 2

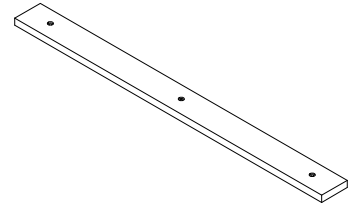
14



EXTENDED TOP PANEL

QTY: 1

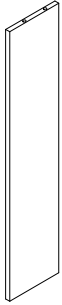
15



TABLETOP STOP RAIL

QTY: 1

16



LEFT SIDE PANEL

QTY: 1

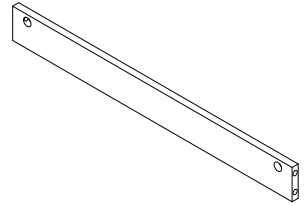
17



RIGHT SIDE PANEL

QTY: 1

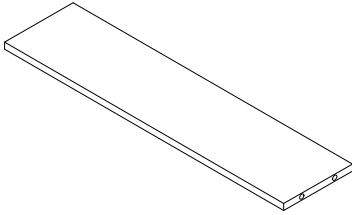
18



TOP SIDE RAIL

QTY: 2

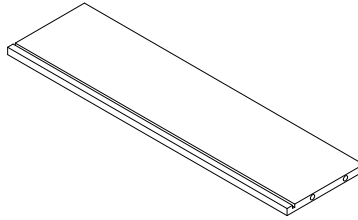
19



MIDDLE SIDE RAIL

QTY: 1

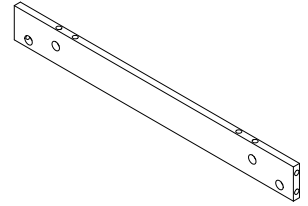
20



BOTTOM SIDE PANEL

QTY: 1

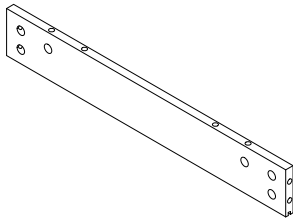
21



BOTTOM SIDE RAIL

QTY: 1

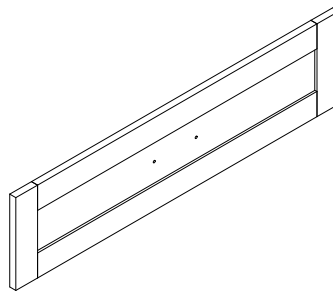
22



BACK SIDE RAIL

QTY: 1

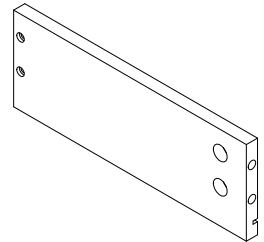
24



DRAWER FRONT

QTY: 2

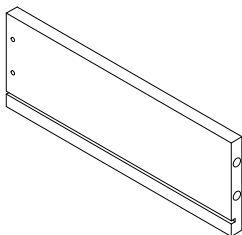
25



DRAWER SIDE - LEFT

QTY: 2

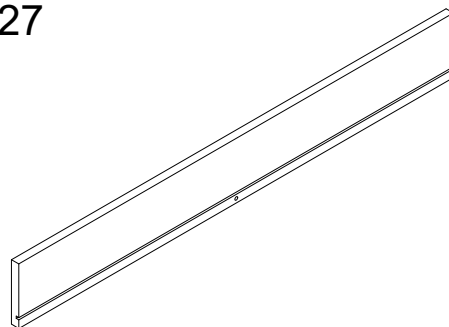
26



DRAWER SIDE - RIGHT

QTY: 2

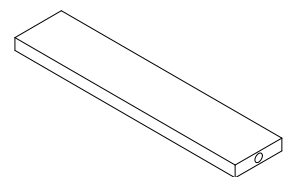
27



DRAWER BACK

QTY: 2

29

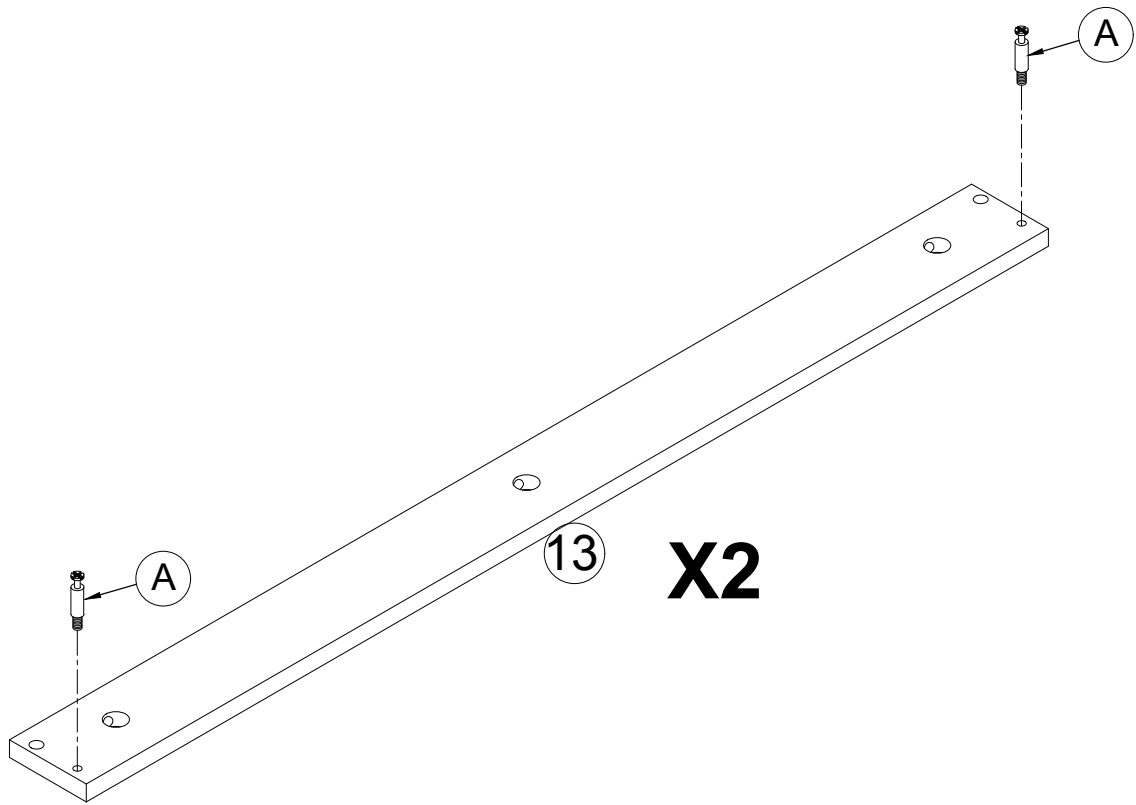


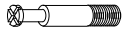
DRAWER BOTTOM RAIL

QTY: 2

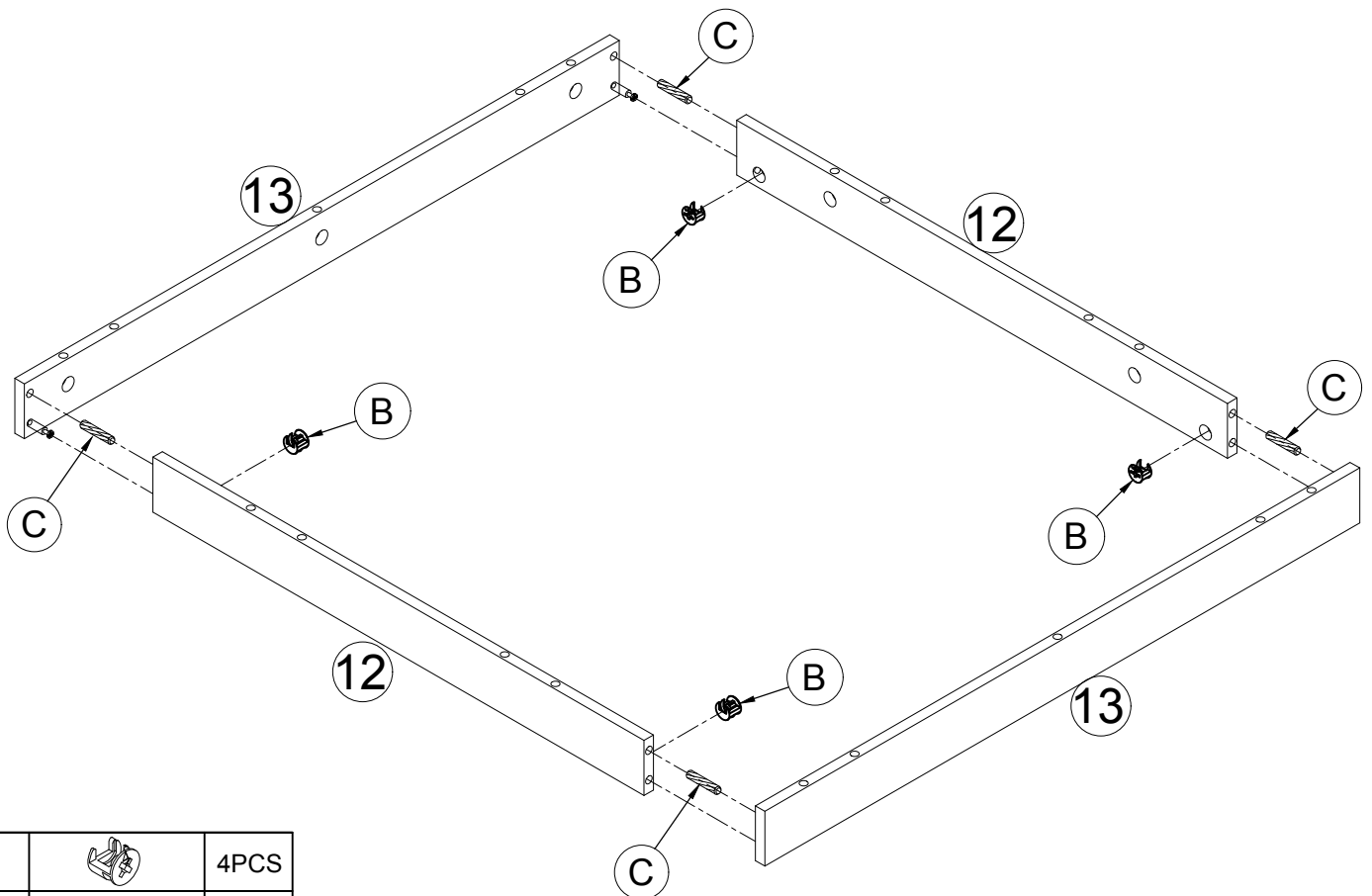
ASSEMBLY INSTRUCTIONS

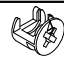

STEP 1



A		4PCS
---	---	------

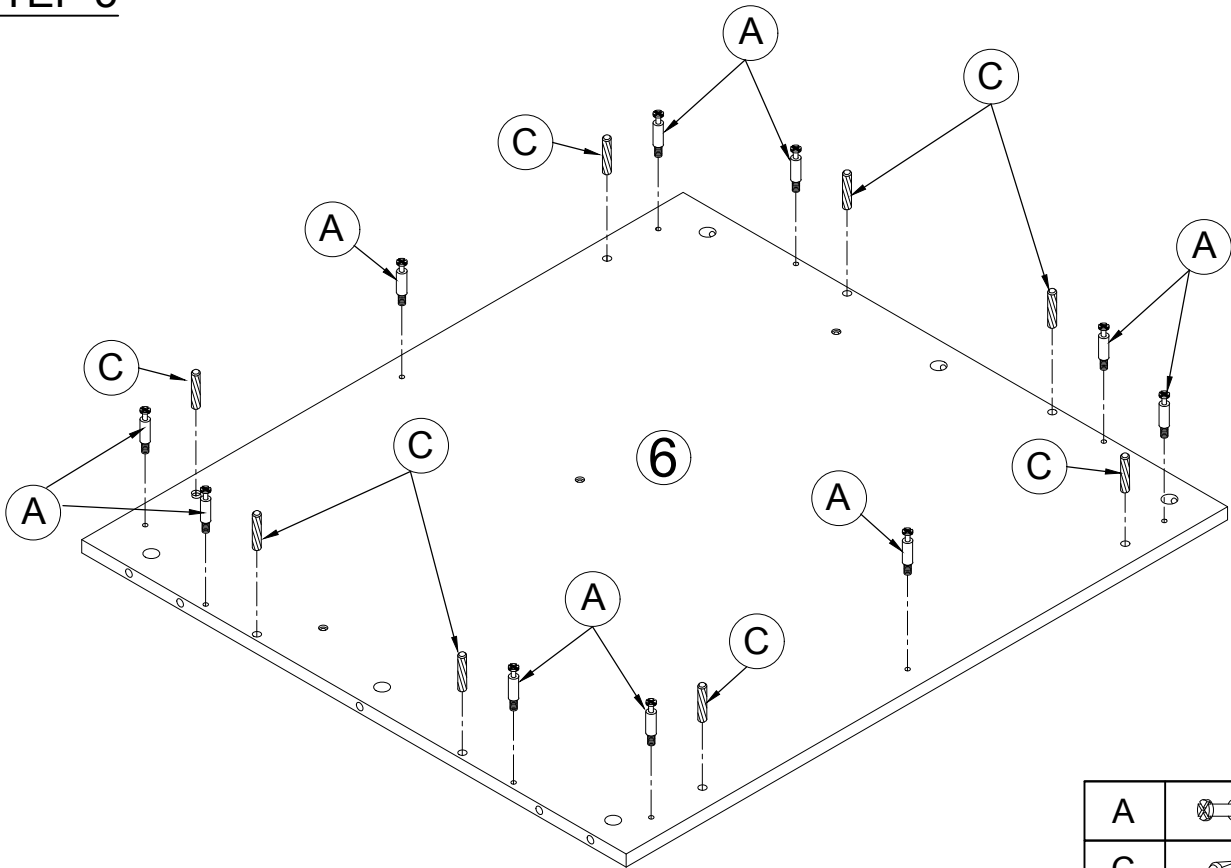
STEP 2

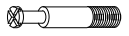
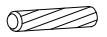


B		4PCS
C		4PCS

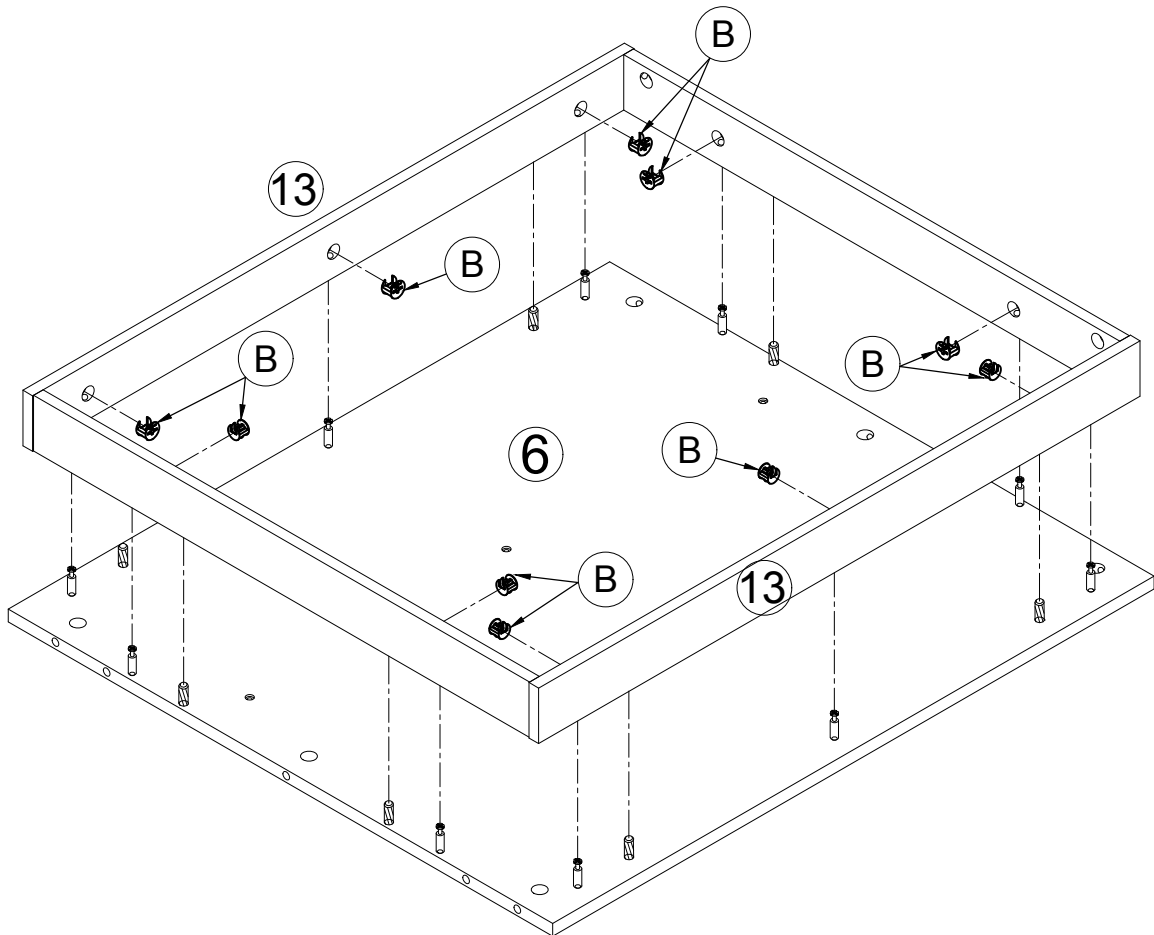
ASSEMBLY INSTRUCTIONS

STEP 3



A		10PCS
C		8PCS

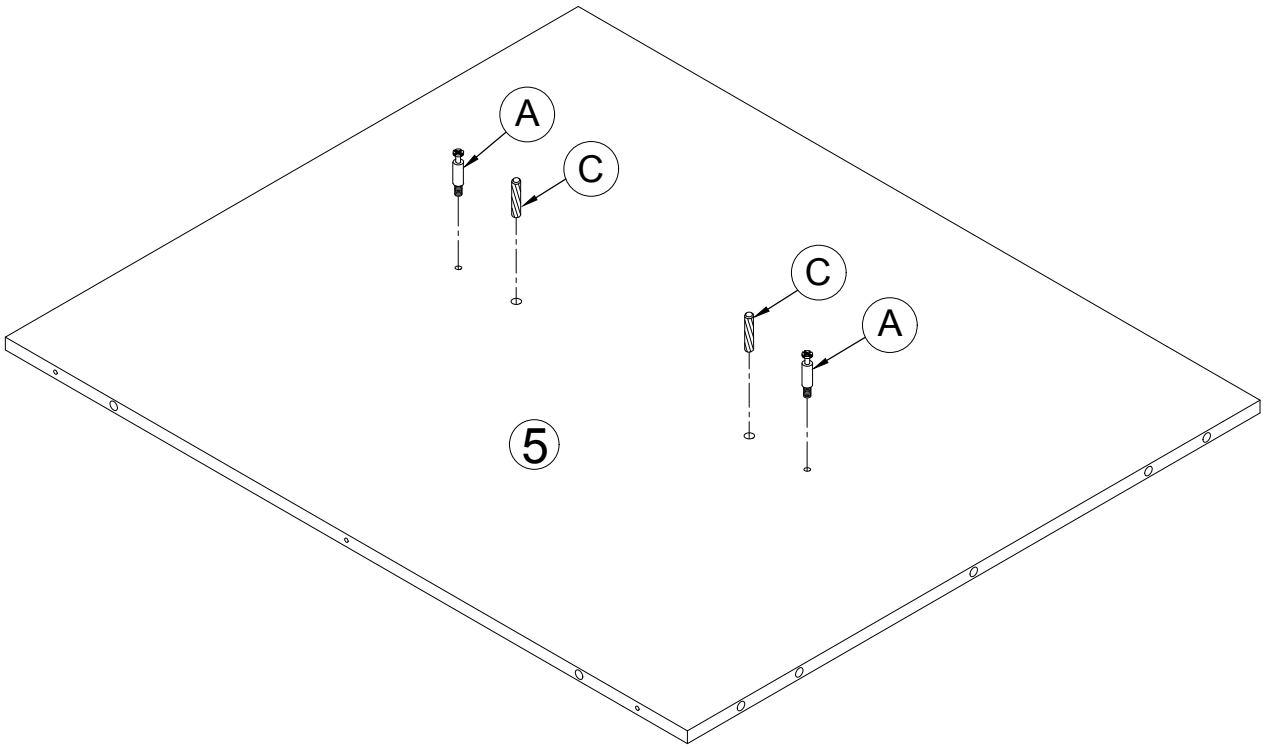
STEP 4

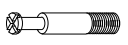



B		10PCS
---	---	-------

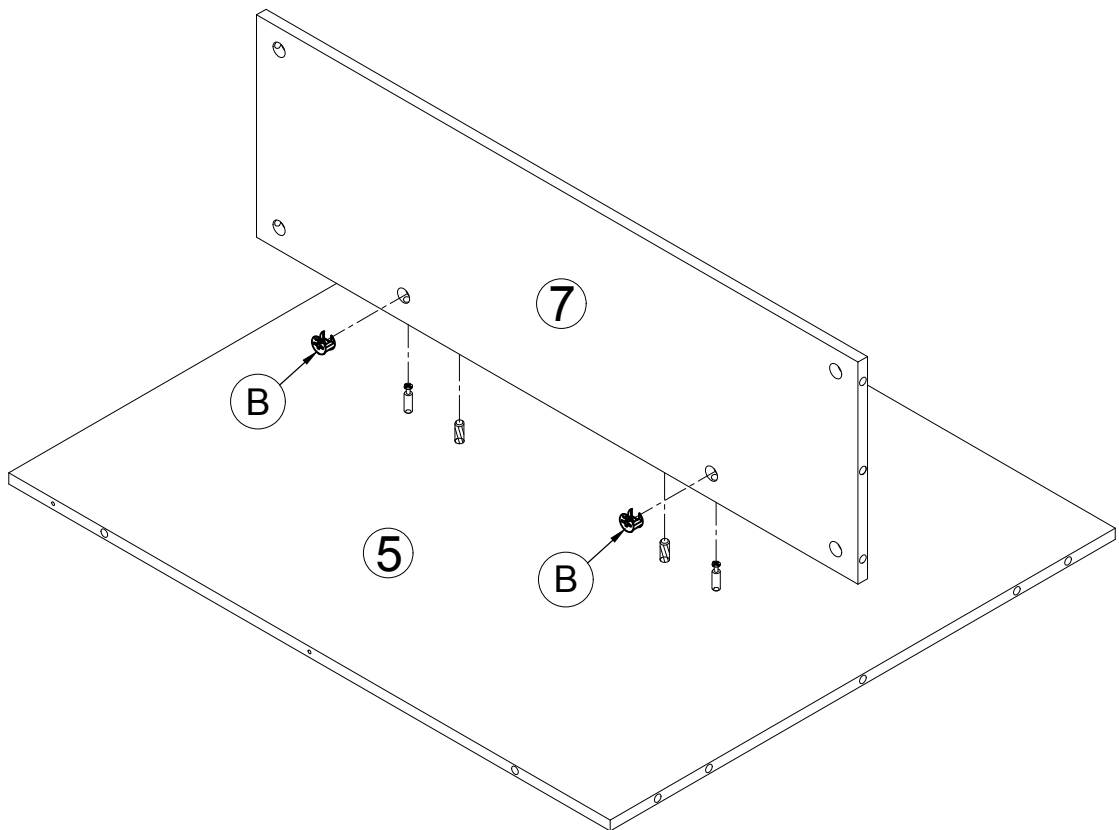
ASSEMBLY INSTRUCTIONS

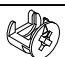
STEP 5



A		2PCS
C		2PCS

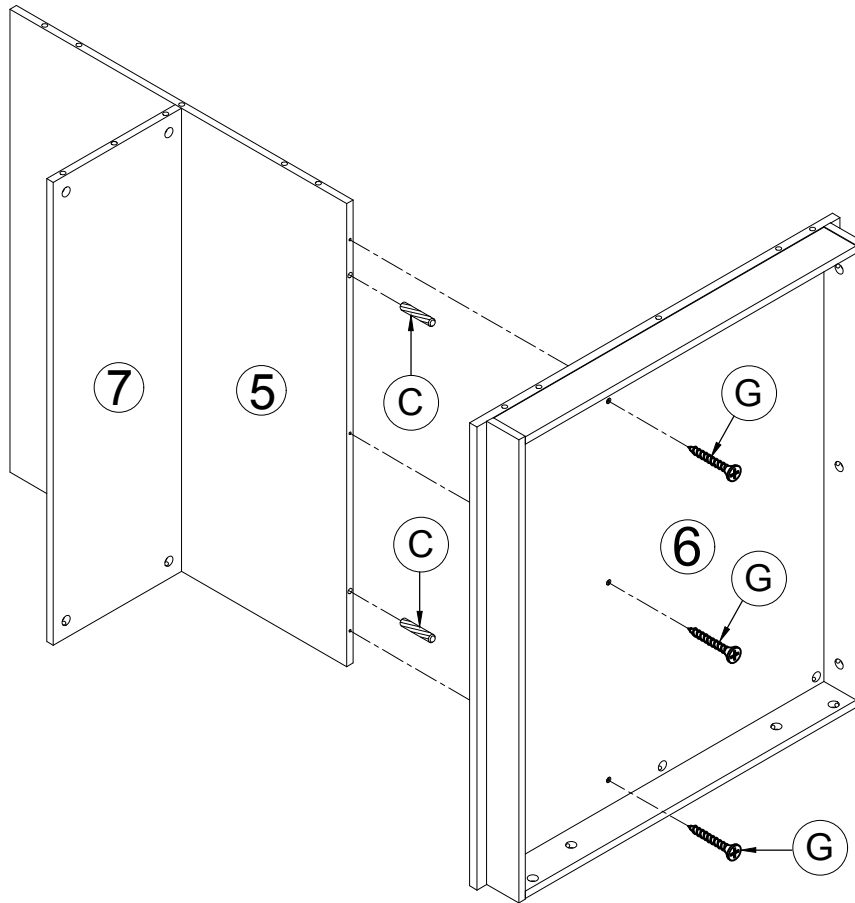
STEP 6


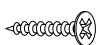


B		2PCS
---	---	------

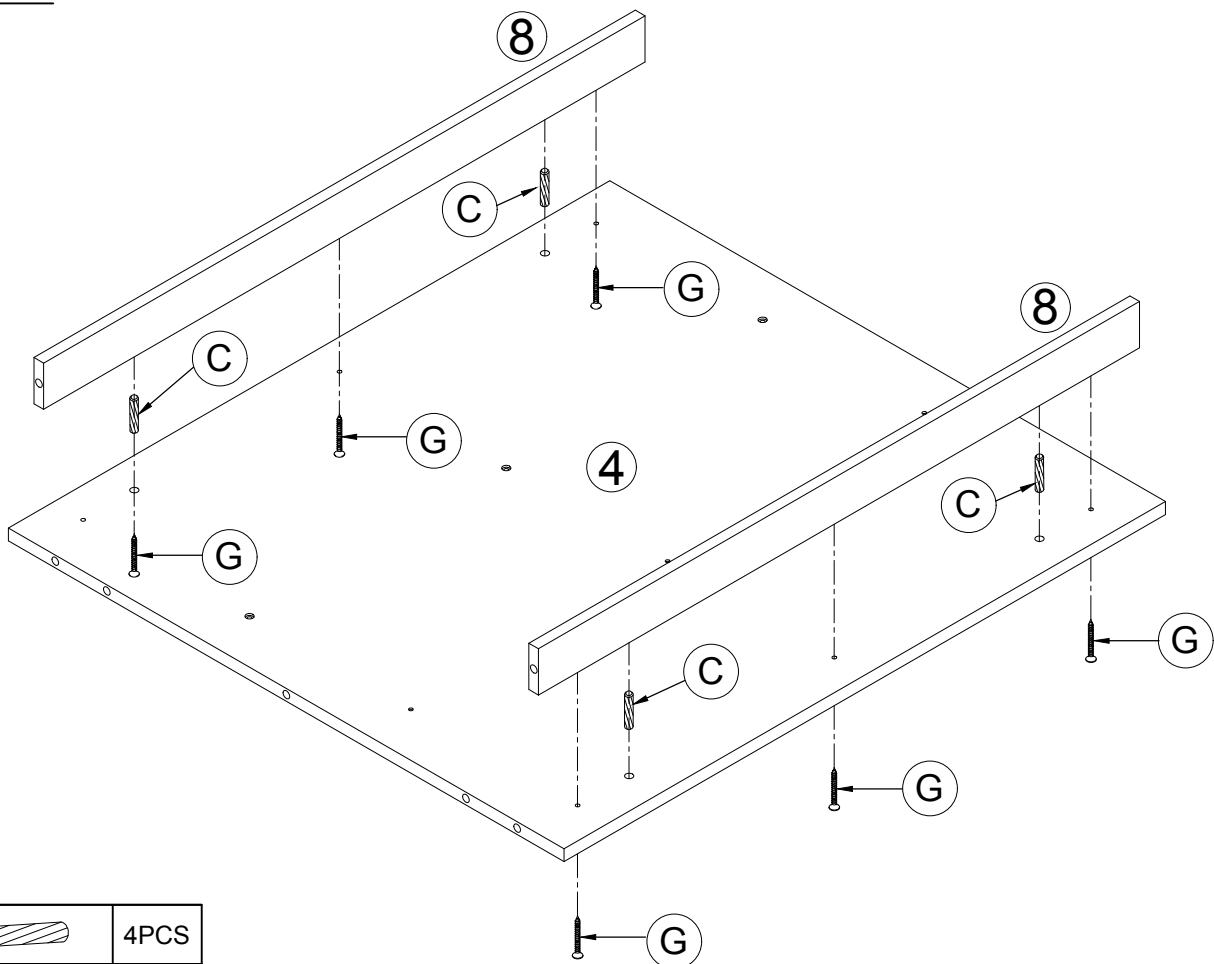
ASSEMBLY INSTRUCTIONS


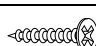
STEP 7



C		2PCS
G		3PCS

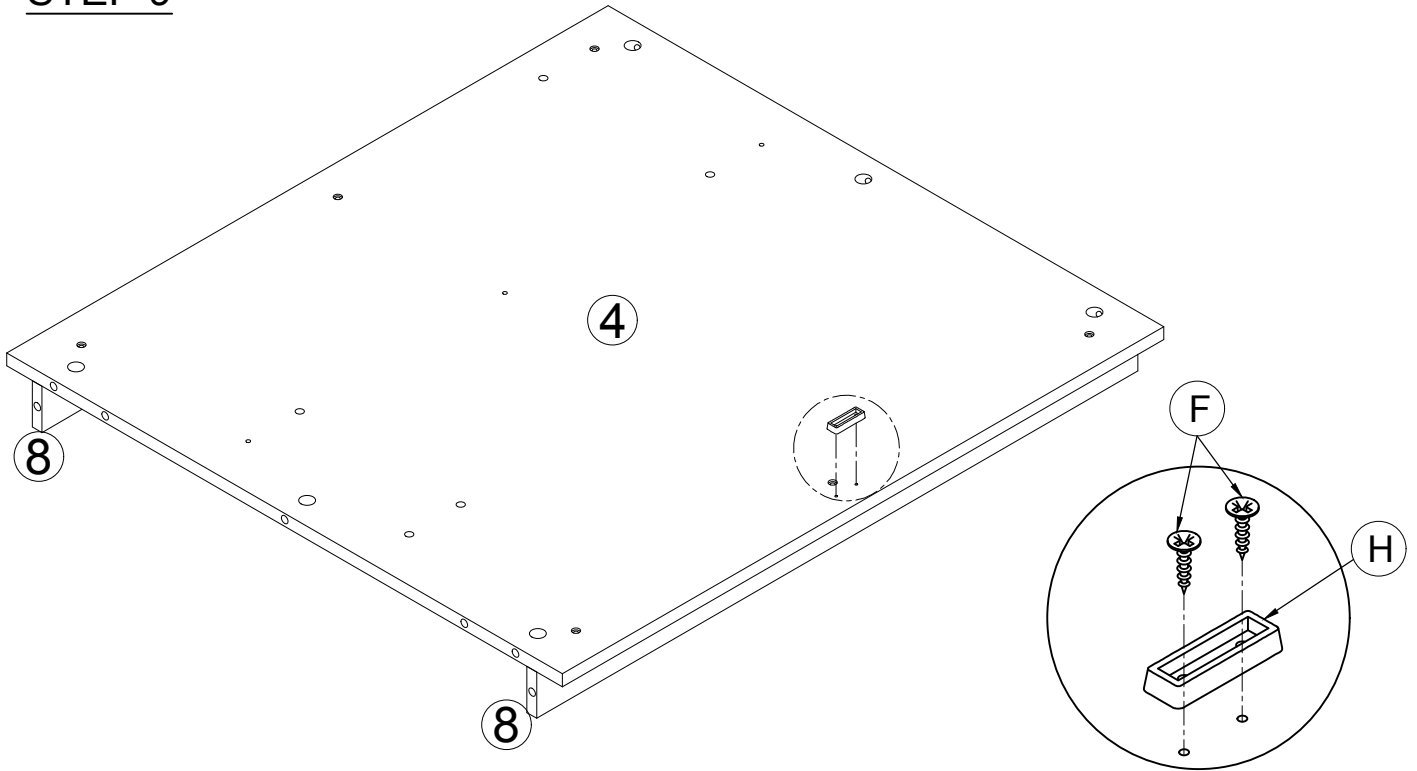
STEP 8





C		4PCS
G		6PCS

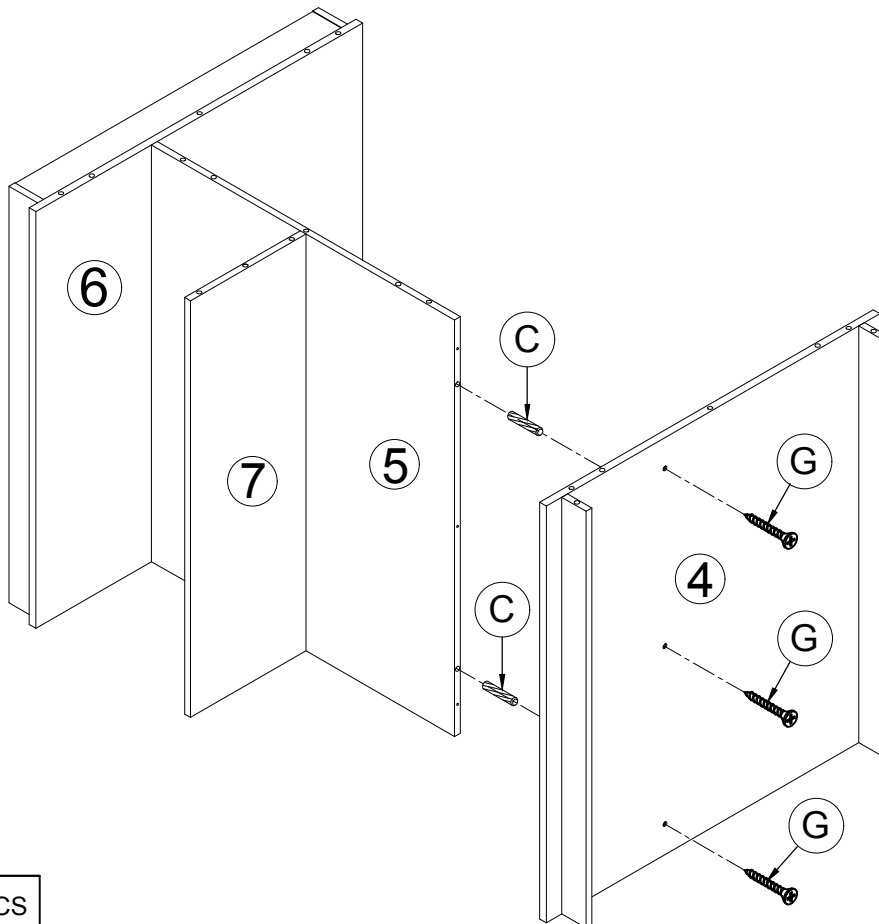
ASSEMBLY INSTRUCTIONS


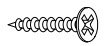
STEP 9



F		2PCS
H		1PC

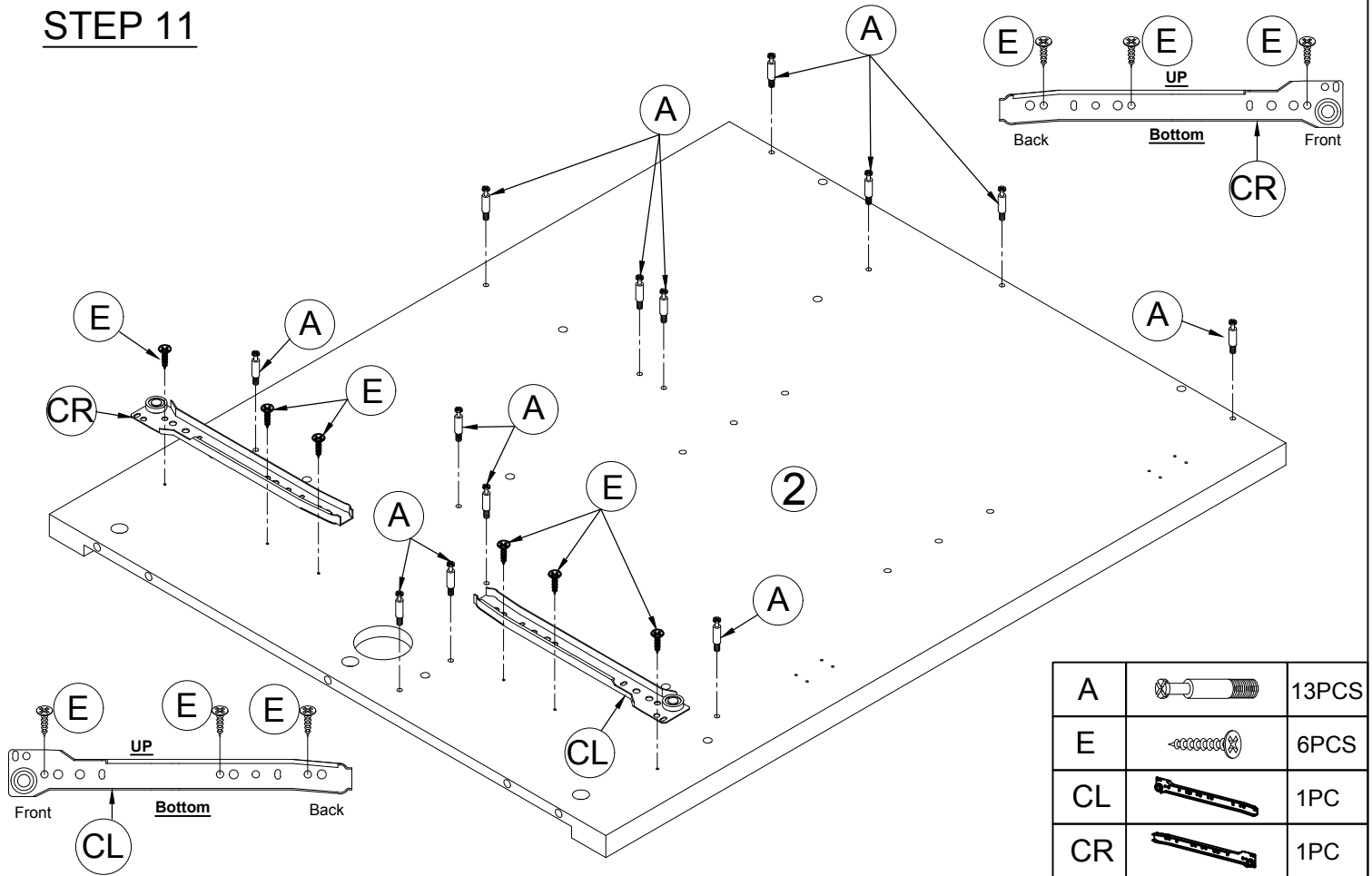
STEP 10



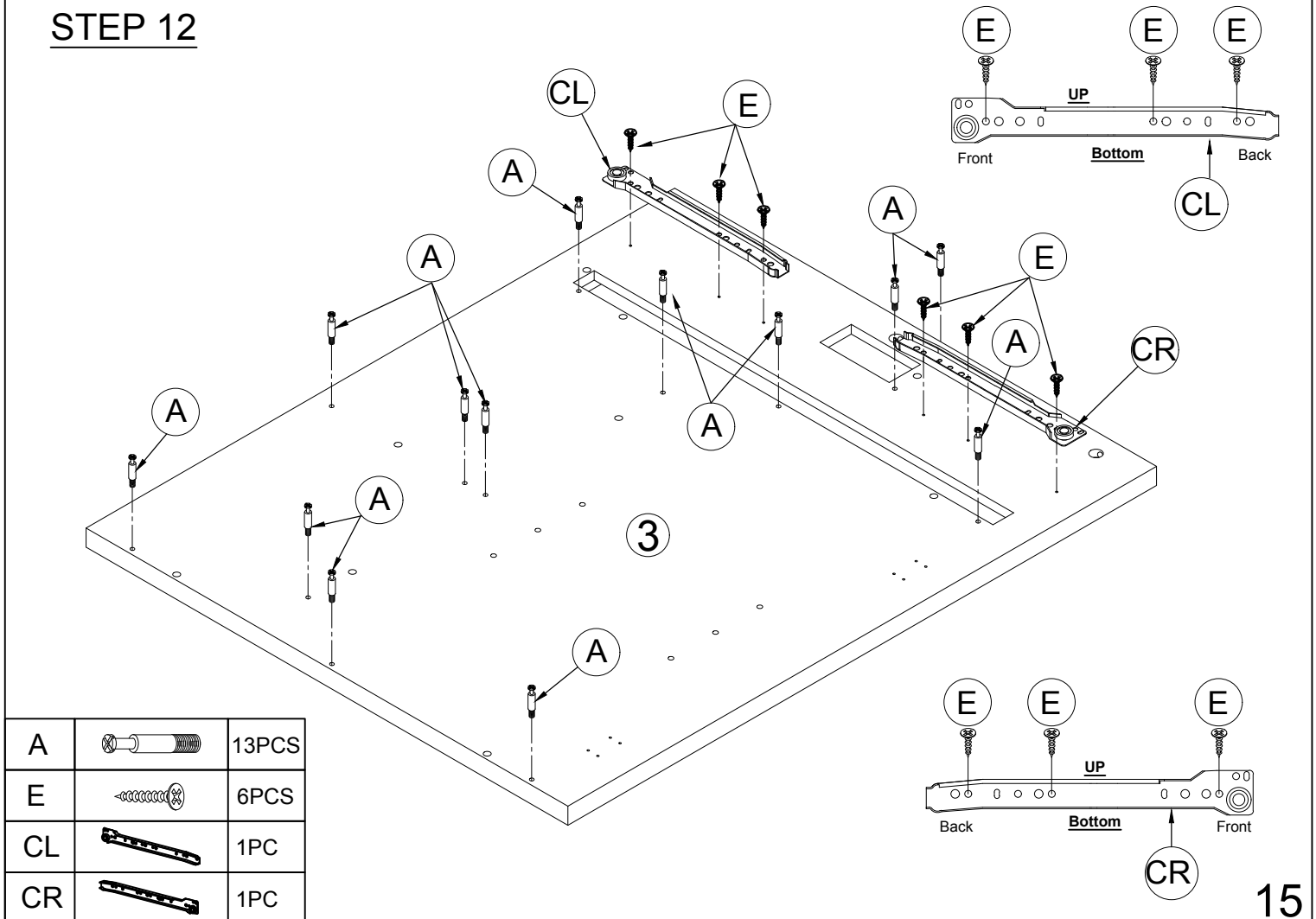
C		2PCS
G		3PCS

ASSEMBLY INSTRUCTIONS

STEP 11

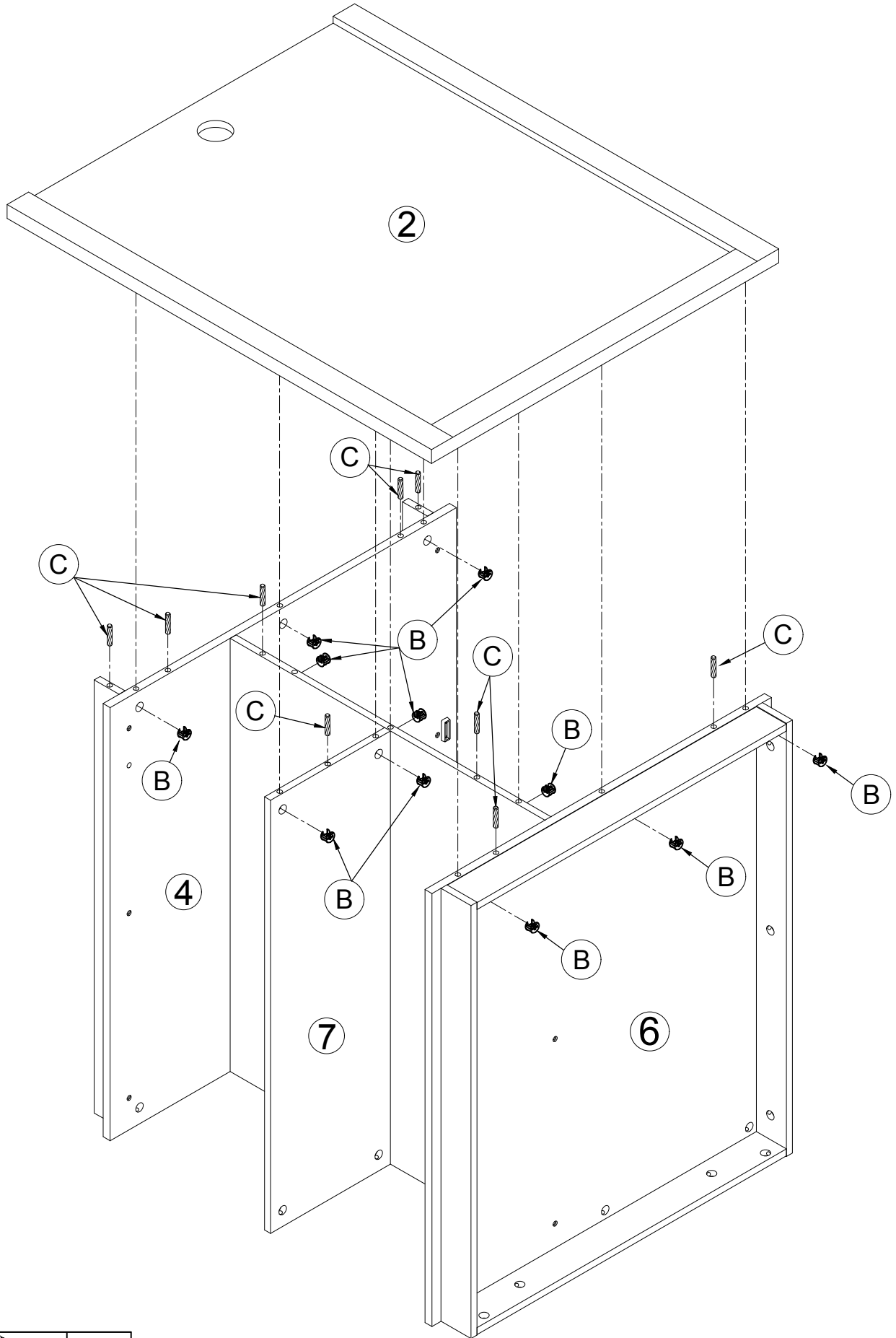




STEP 12



ASSEMBLY INSTRUCTIONS

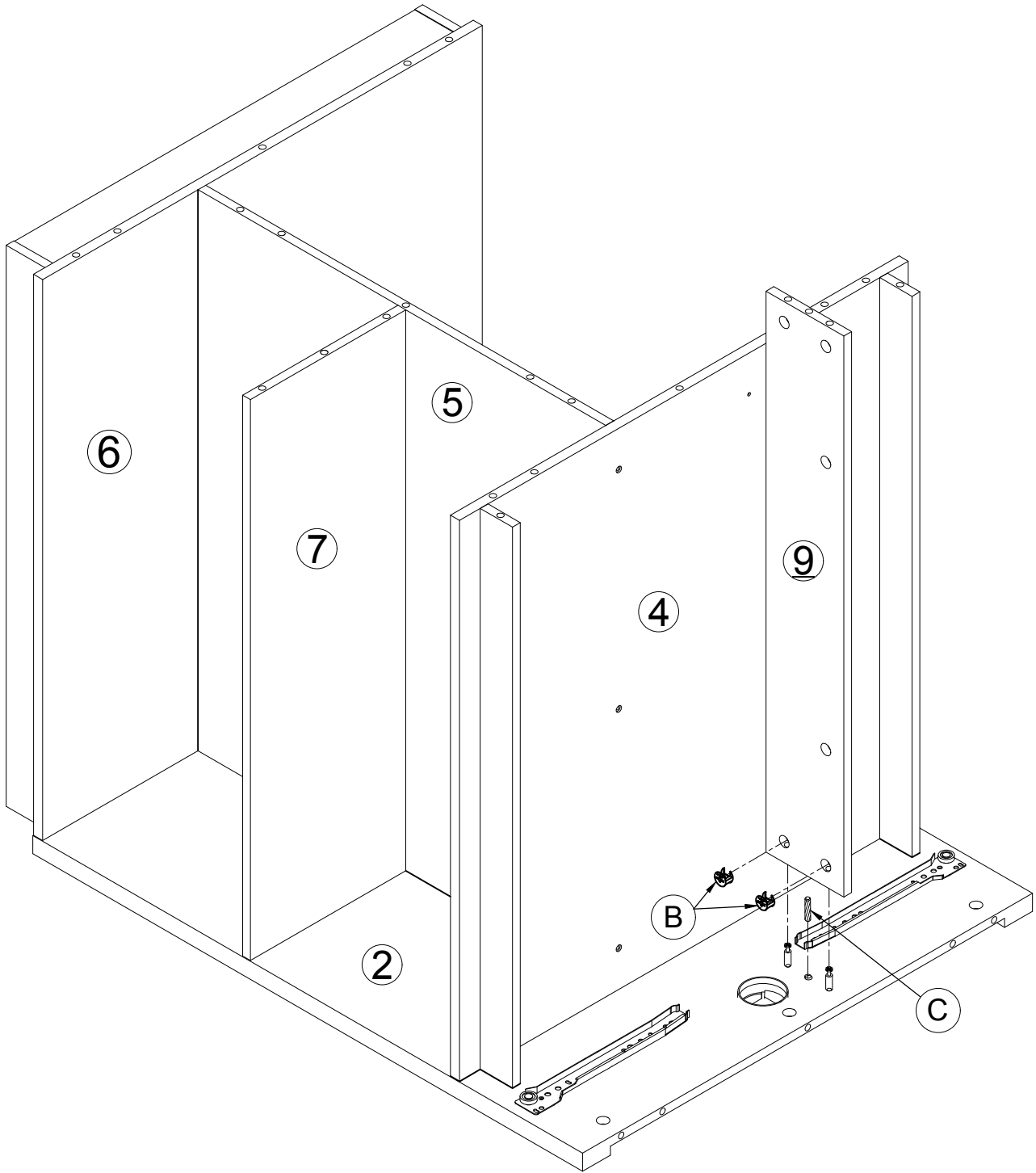
STEP 13





B		11PCS
C		9PCS

ASSEMBLY INSTRUCTIONS

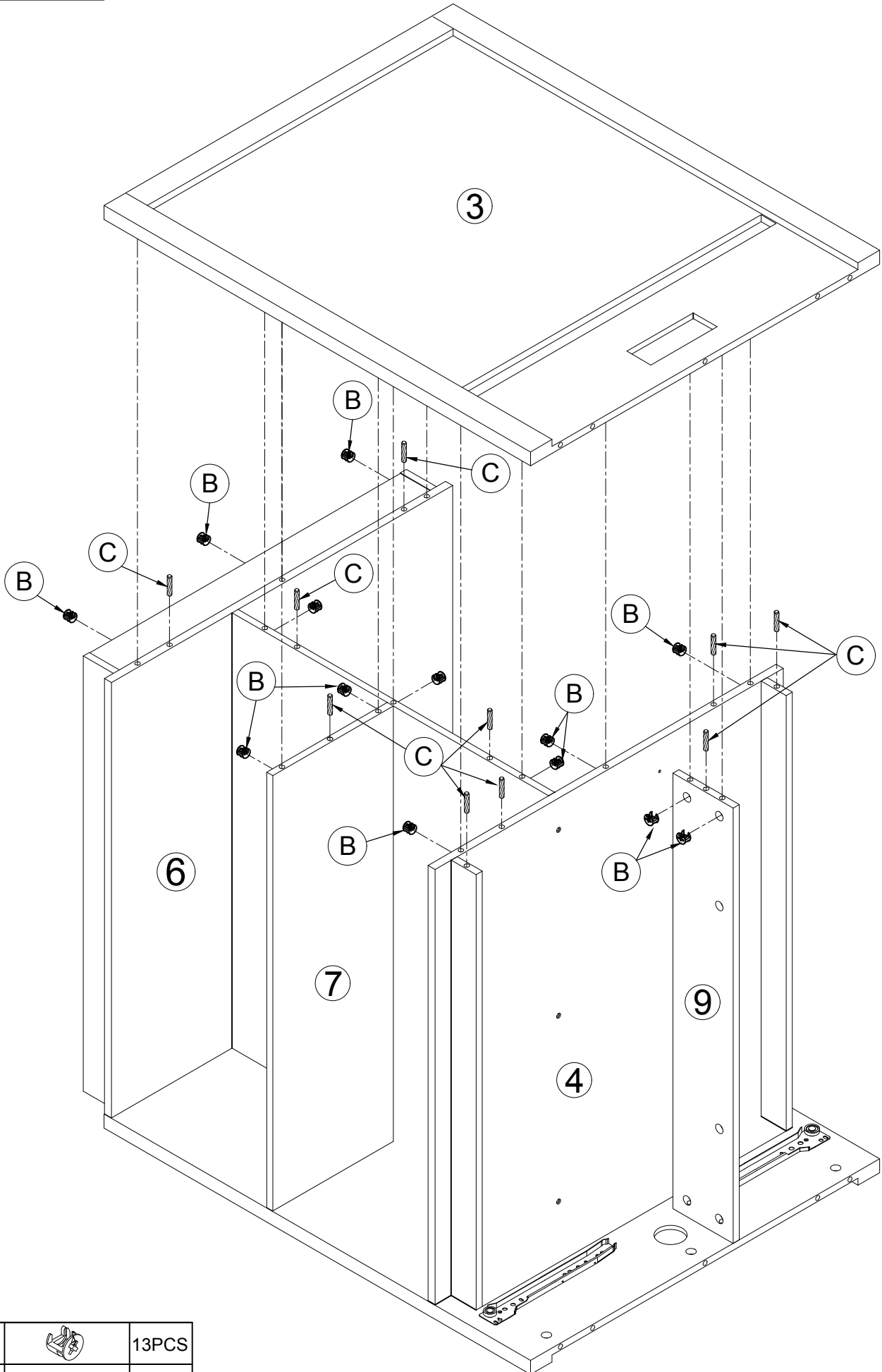
STEP 14





B		2PCS
C		1PC

ASSEMBLY INSTRUCTIONS

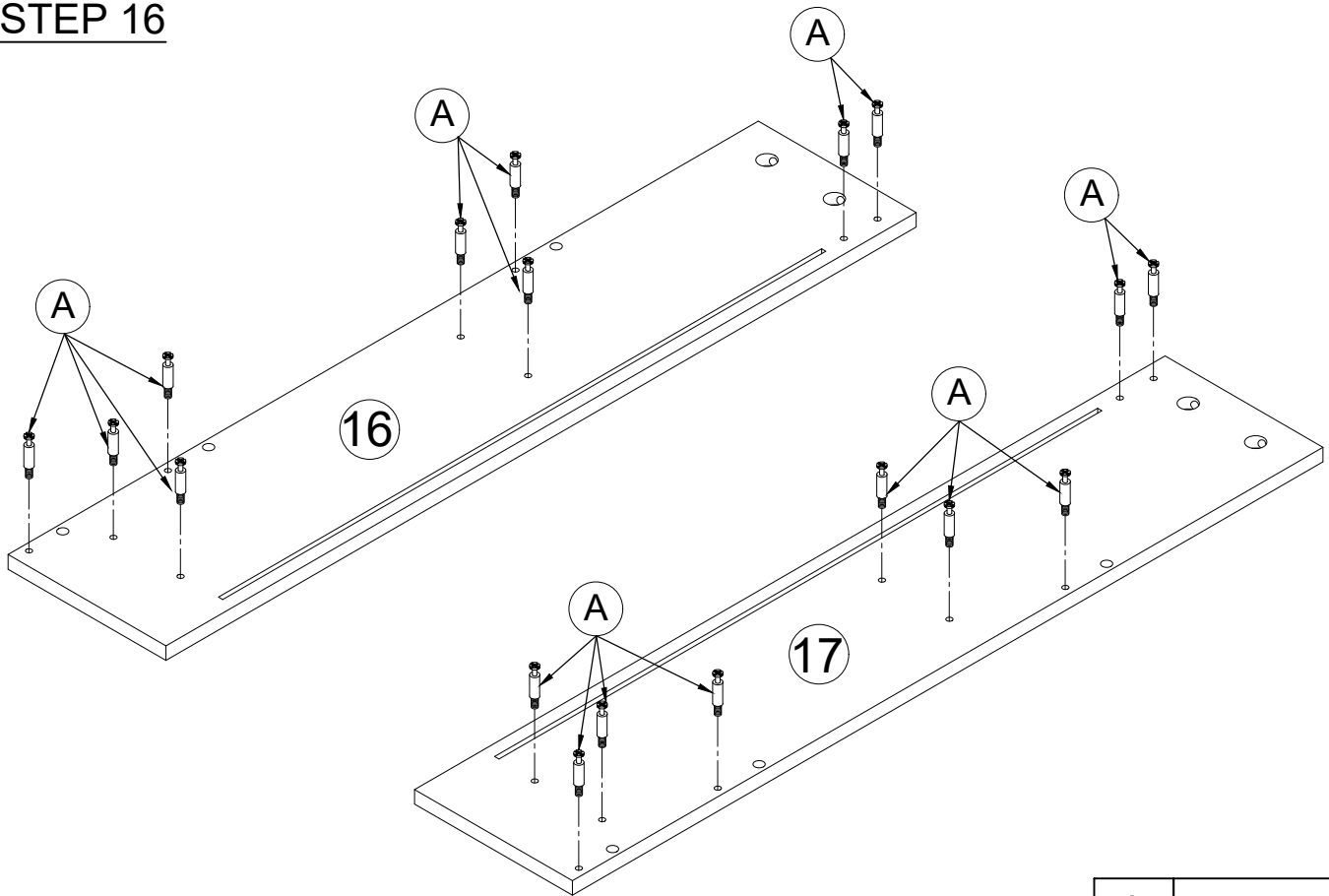
STEP 15

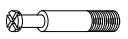


B		13PCS
C		10PCS

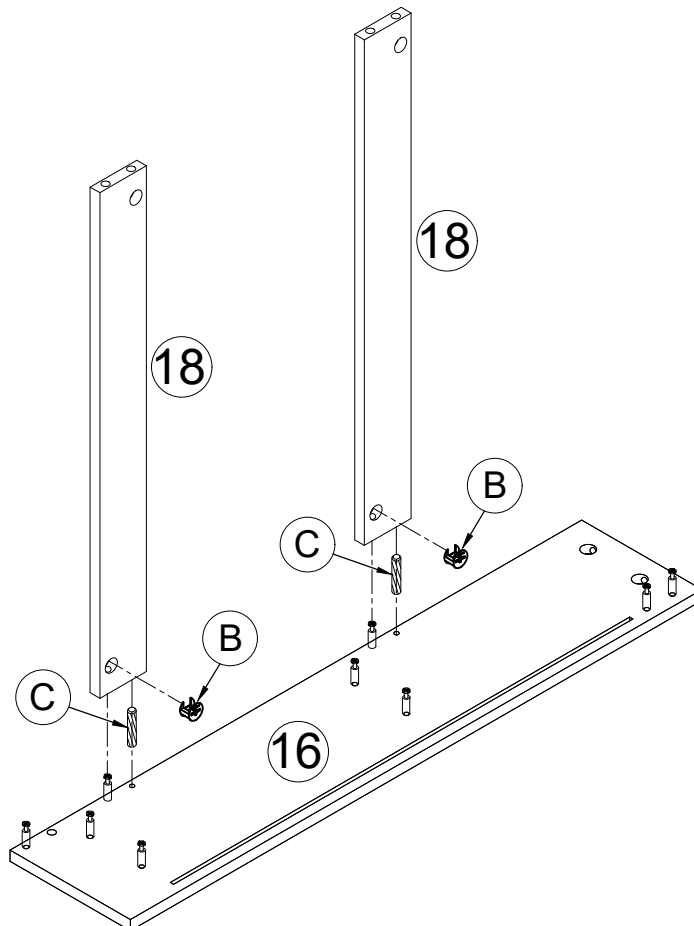
ASSEMBLY INSTRUCTIONS

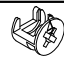

STEP 16



A		18PCS
---	---	-------

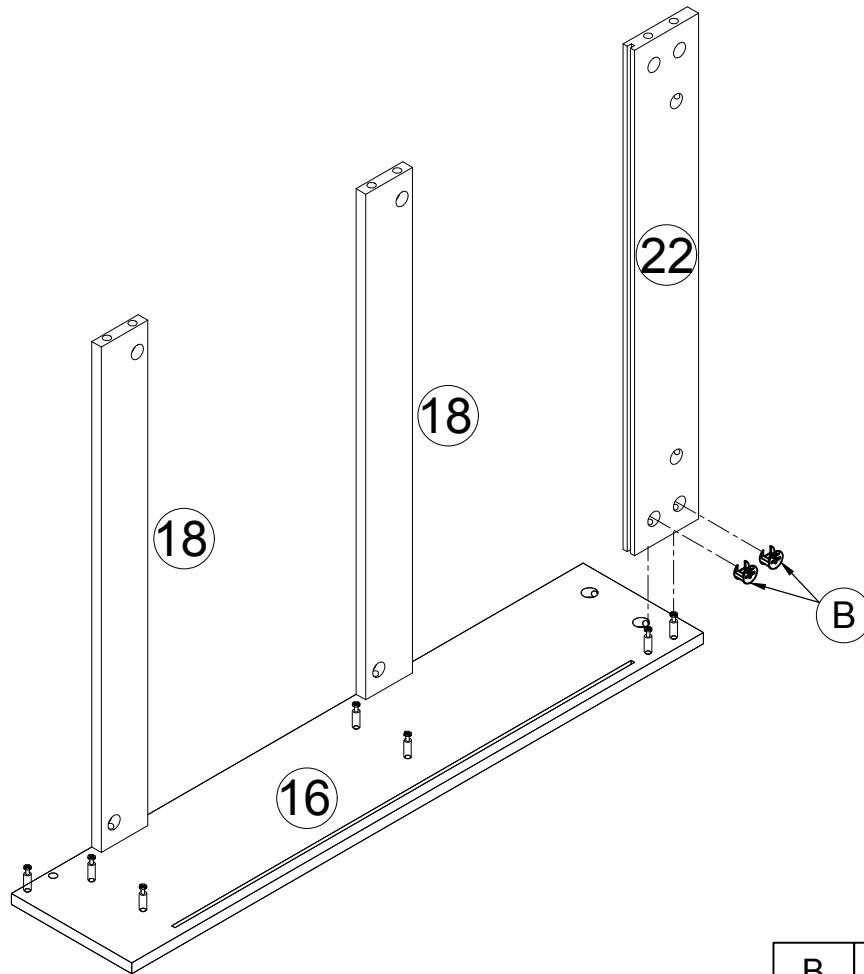
STEP 17




B		2PCS
C		2PCS

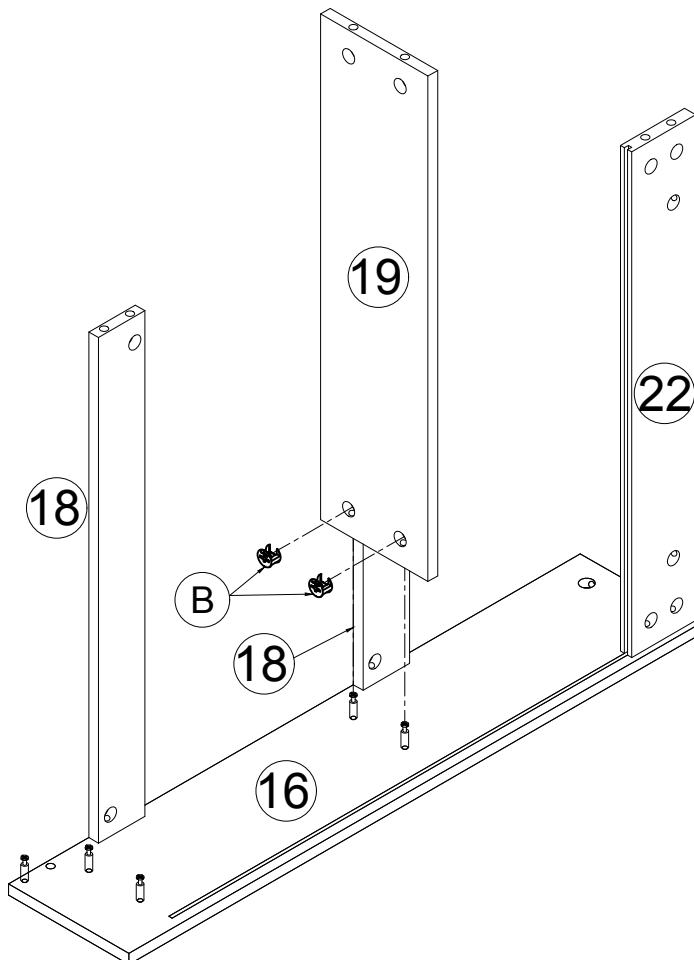
ASSEMBLY INSTRUCTIONS


STEP 18



B		2PCS
---	---	------

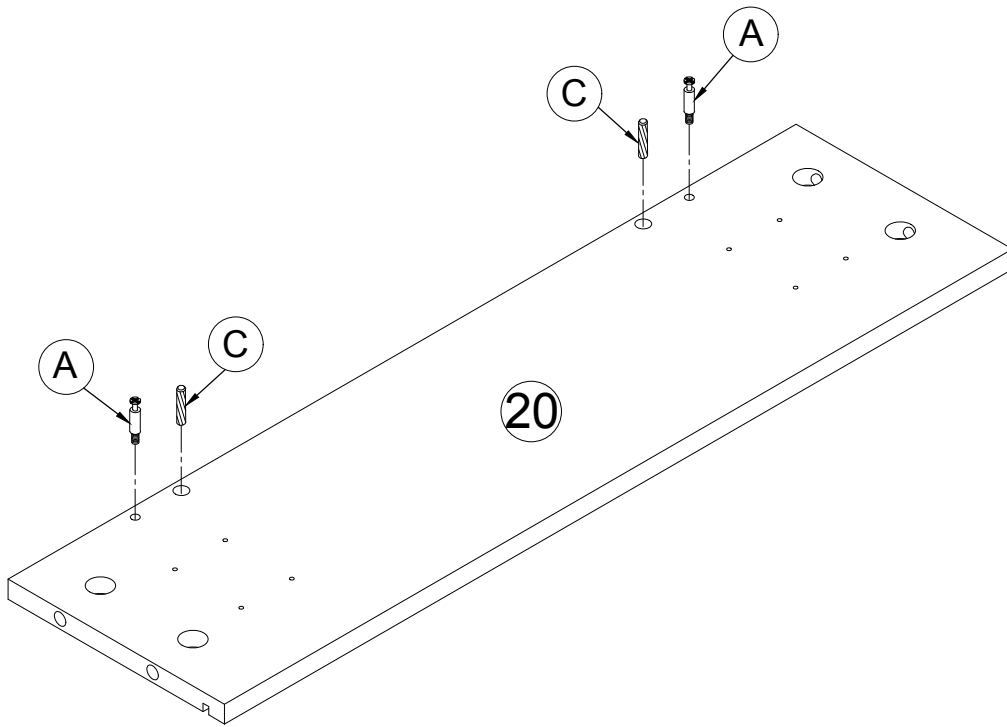
STEP 19

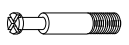



B		2PCS
---	---	------

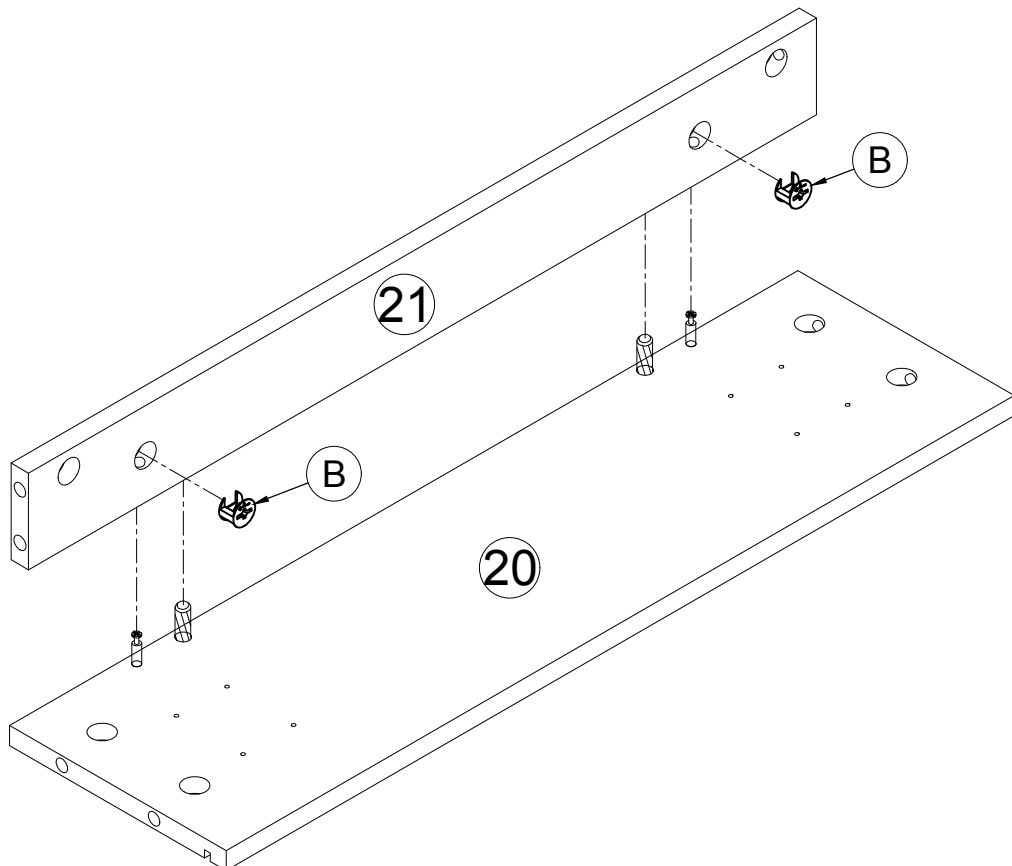
ASSEMBLY INSTRUCTIONS

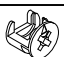
STEP 20



A		2PCS
C		2PCS

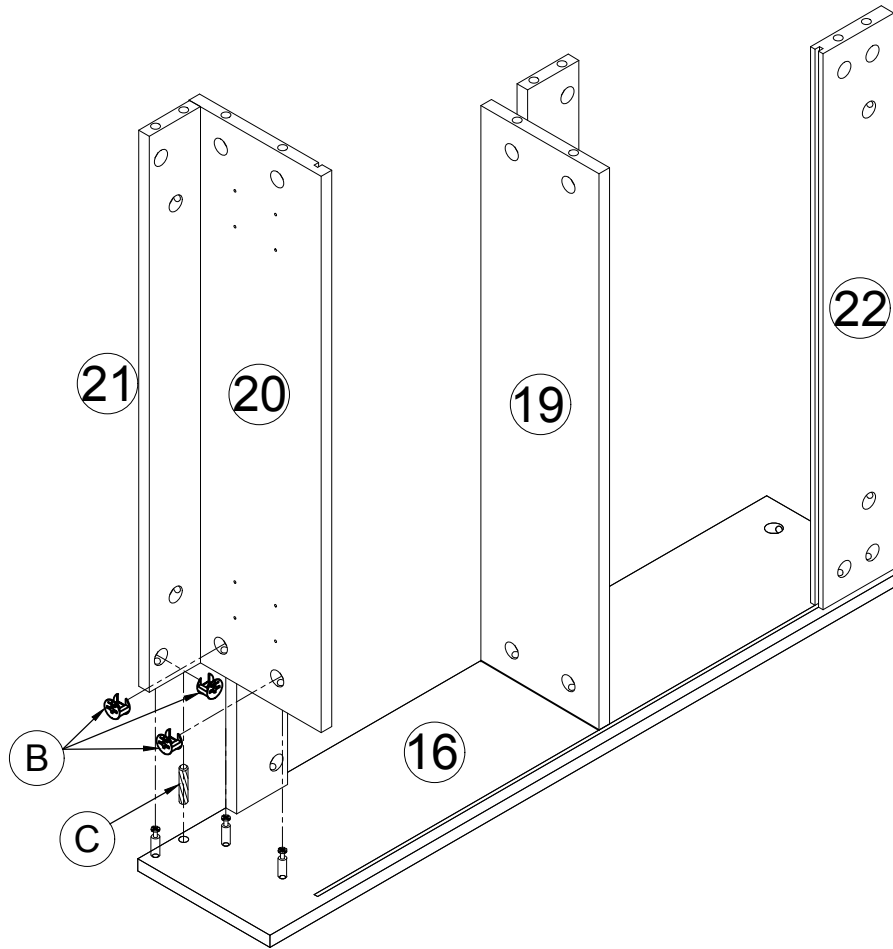
STEP 21





B		2PCS
---	---	------

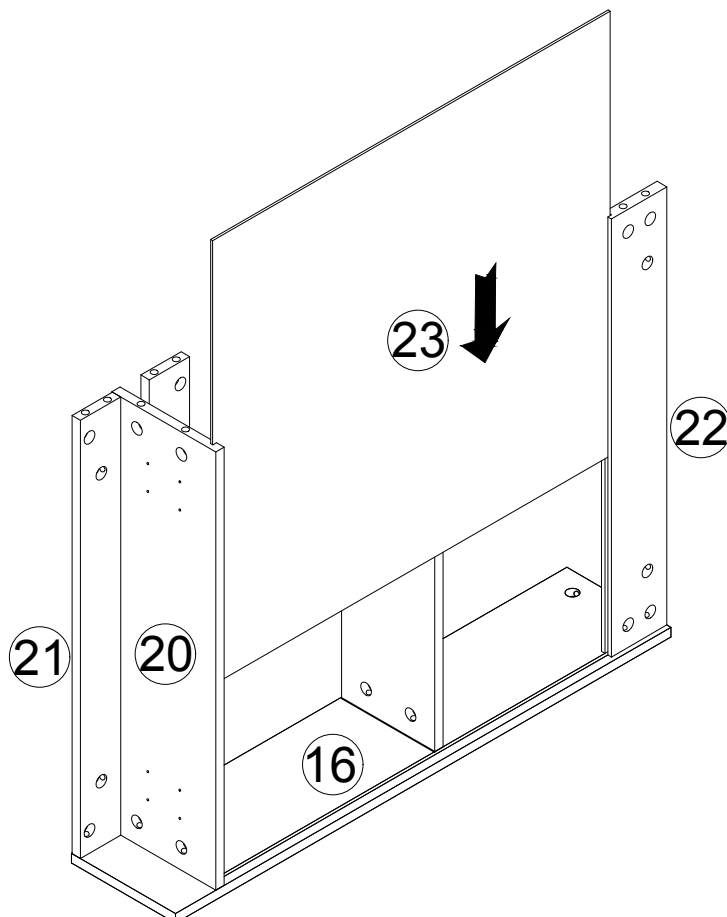
ASSEMBLY INSTRUCTIONS

STEP 22



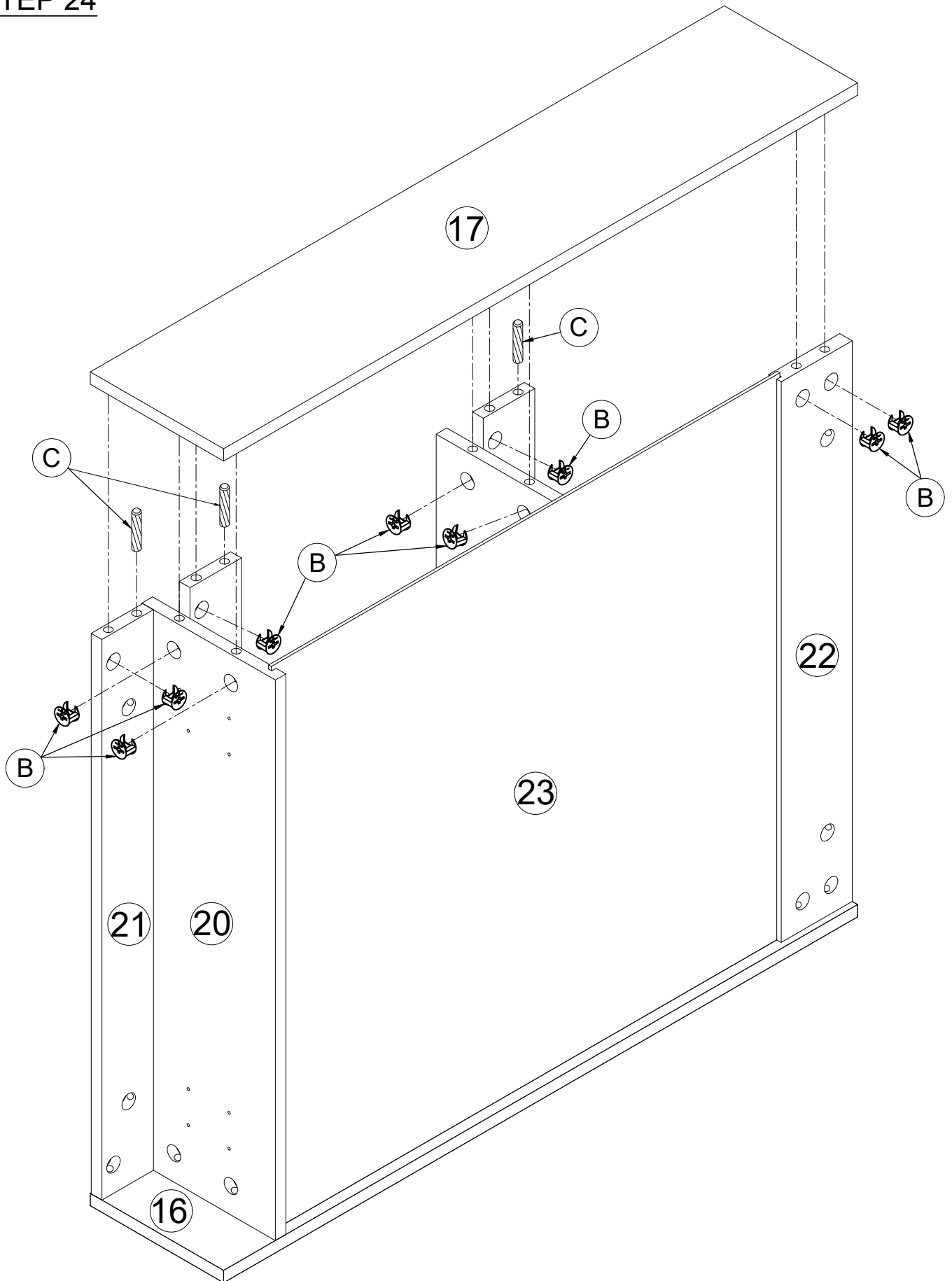
B		3PCS
C		1PC



STEP 23



ASSEMBLY INSTRUCTIONS

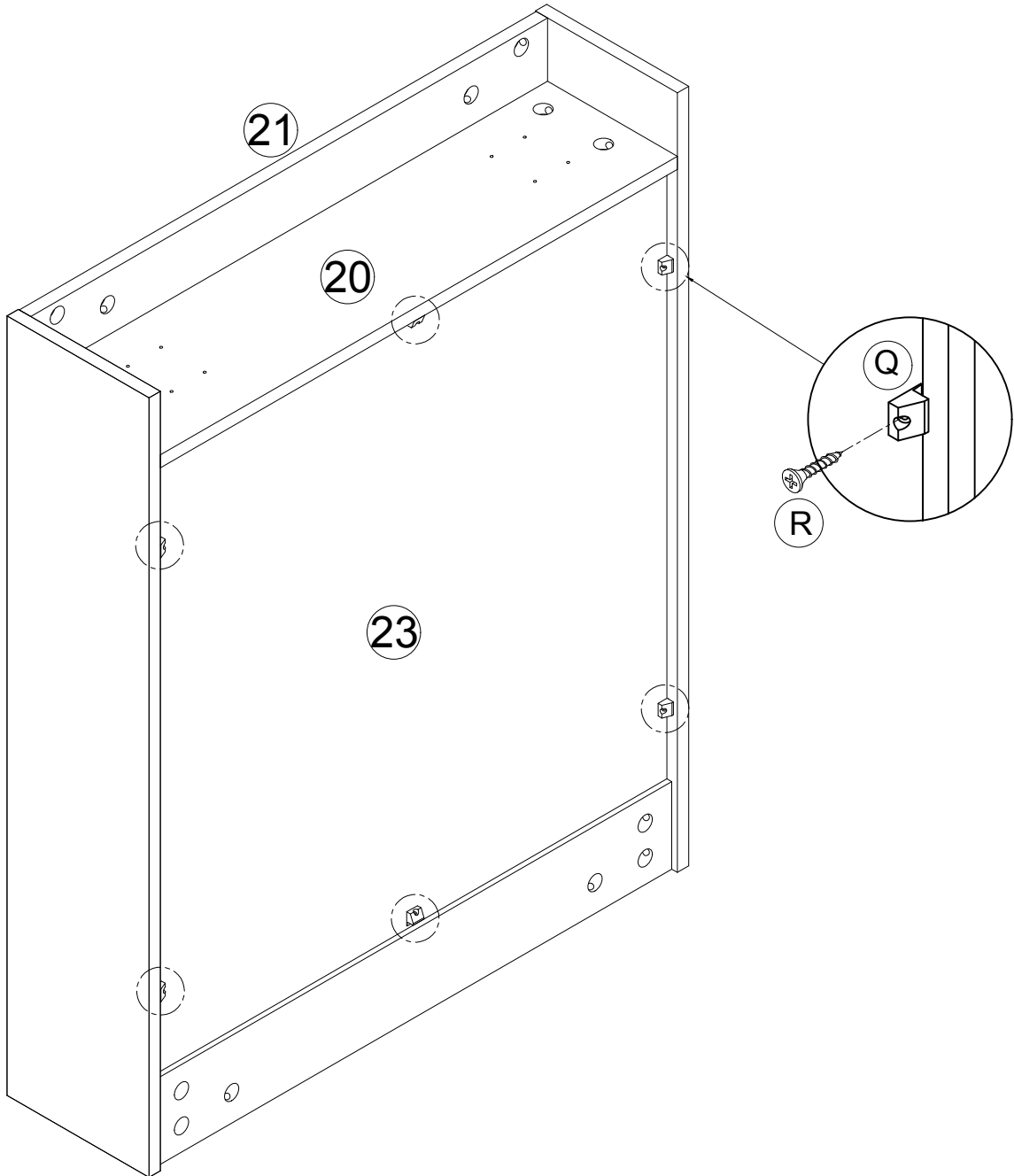
STEP 24



B		9PCS
C		3PCS

ASSEMBLY INSTRUCTIONS

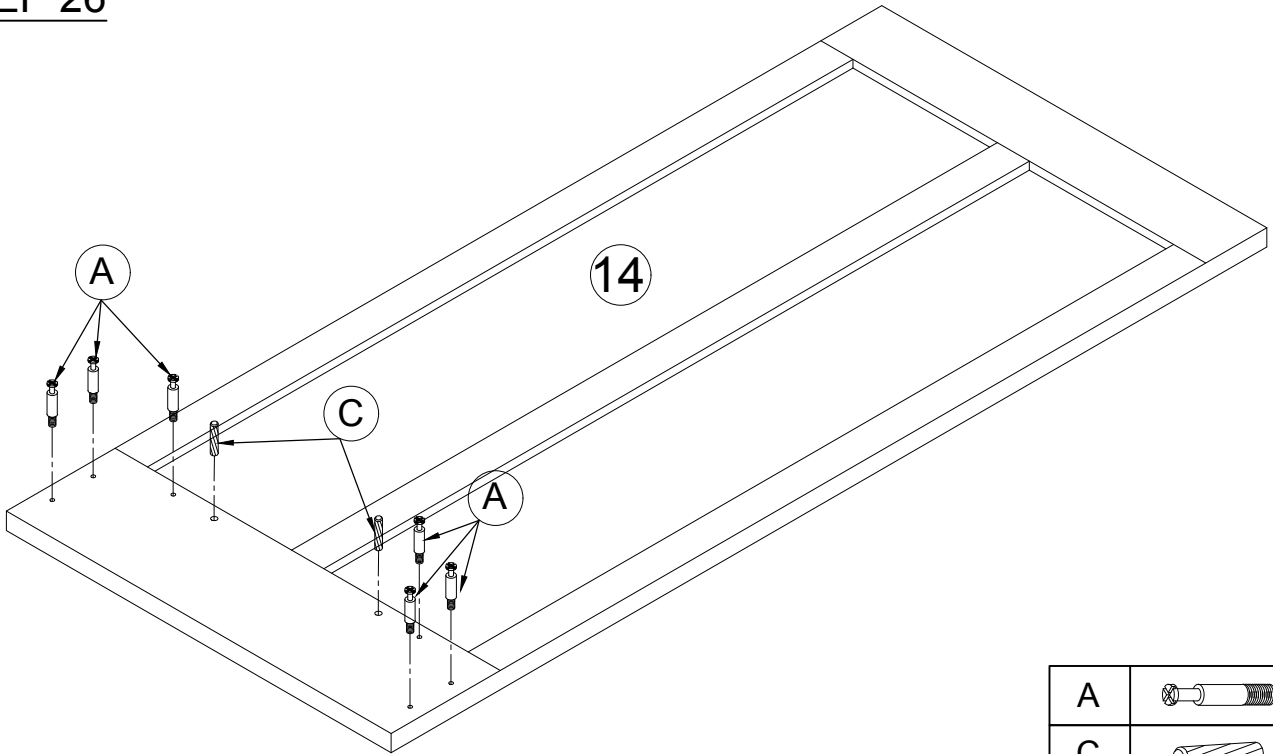
STEP 25

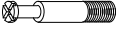



Q		6PCS
R		6PCS

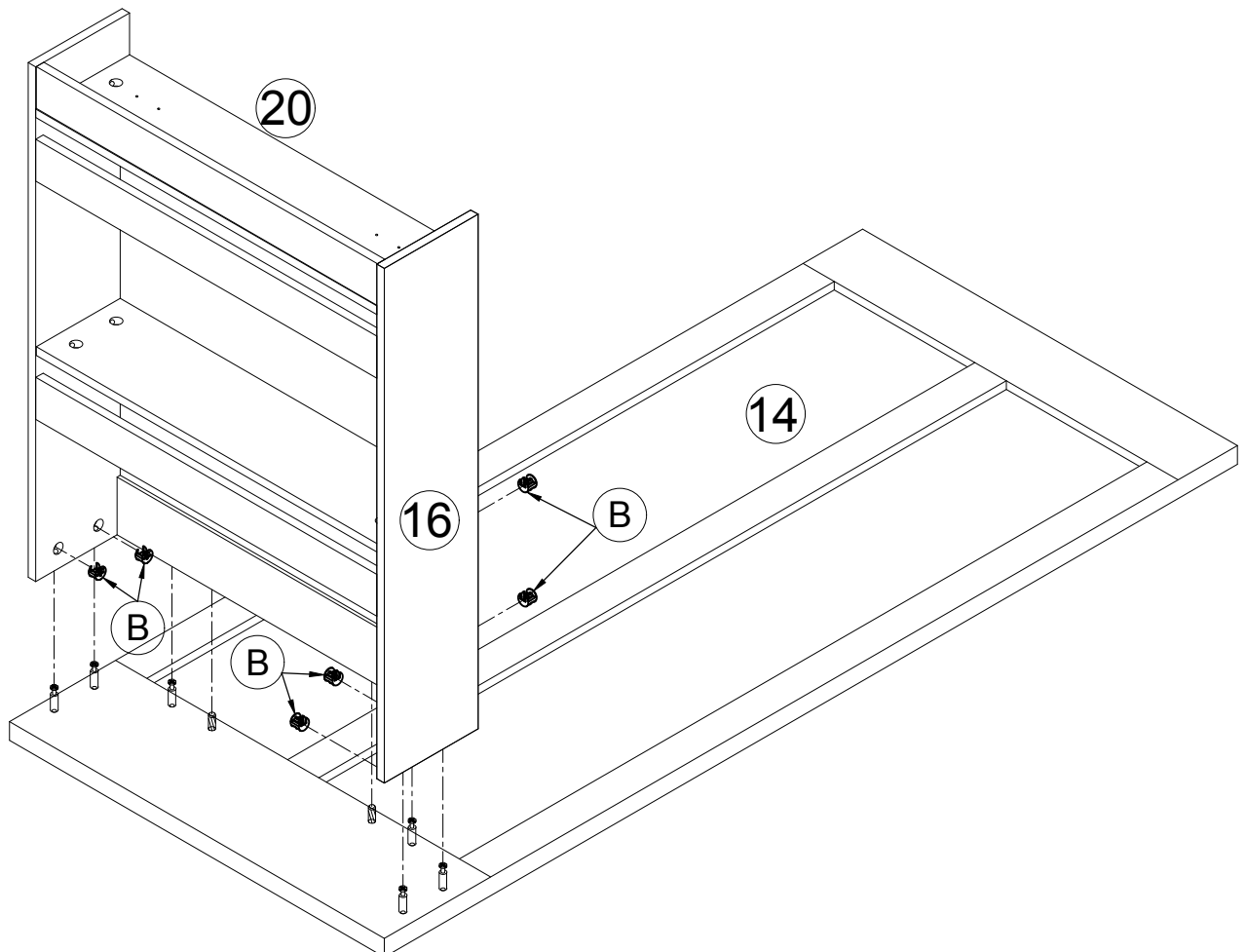
ASSEMBLY INSTRUCTIONS

STEP 26



A		6PCS
C		2PCS

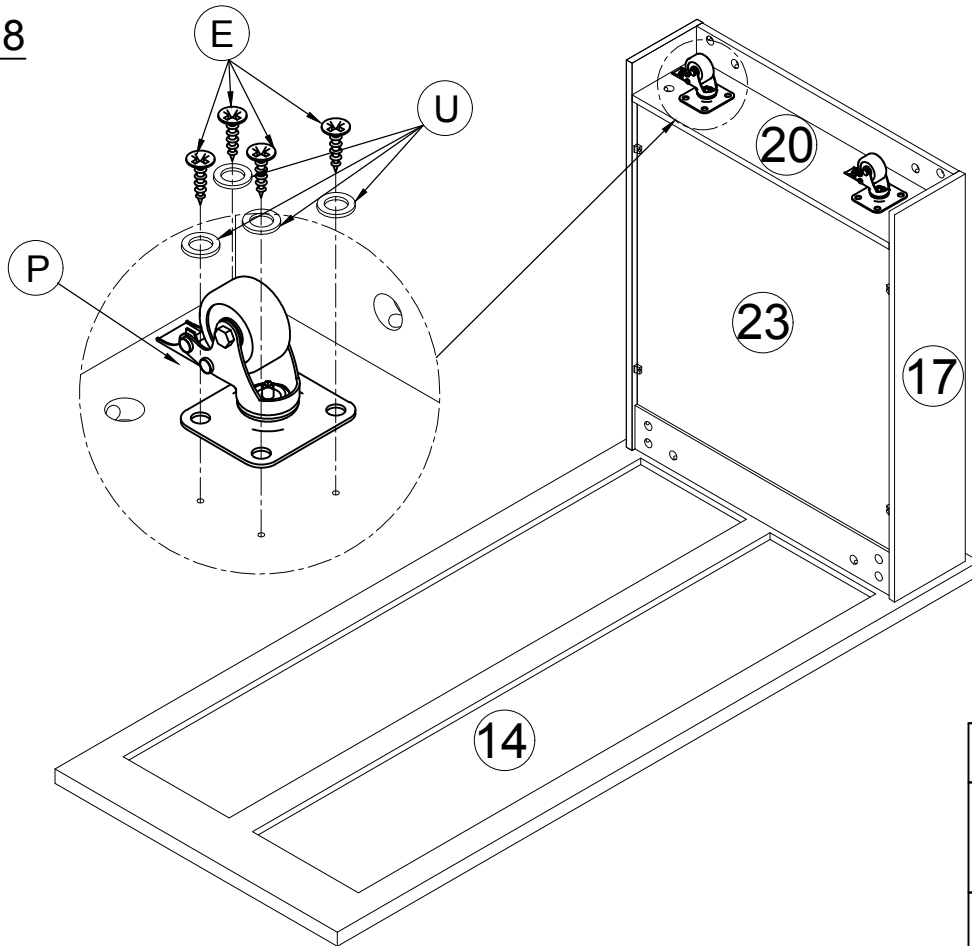
STEP 27

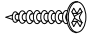




B		6PCS
---	---	------

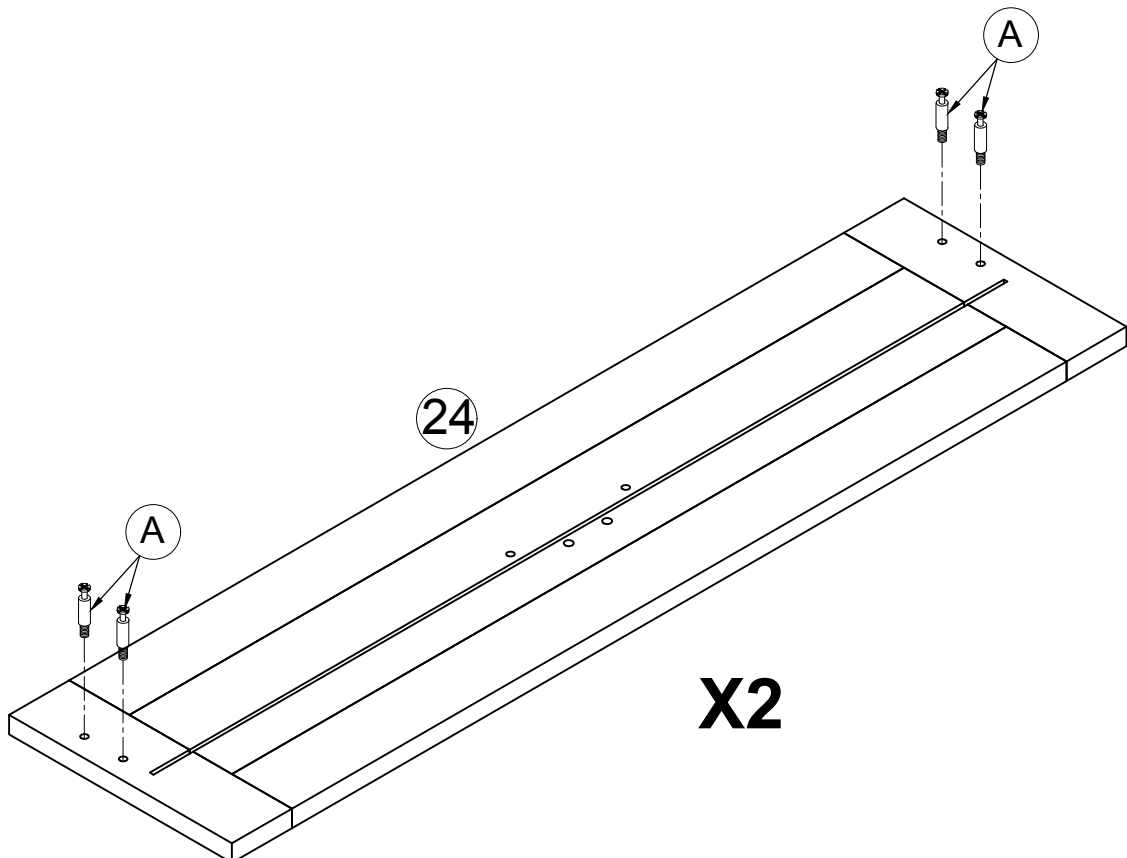
ASSEMBLY INSTRUCTIONS

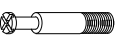
STEP 28



E		8PCS
P		2PCS
U		8PCS

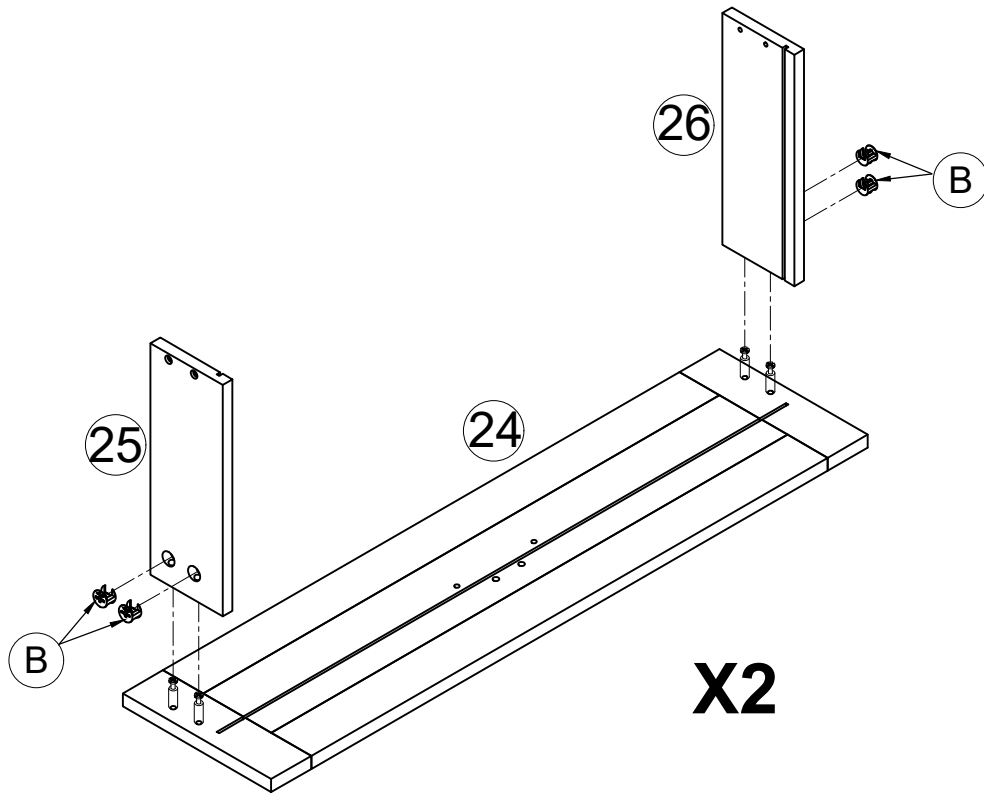
STEP 29




A		8PCS
---	---	------

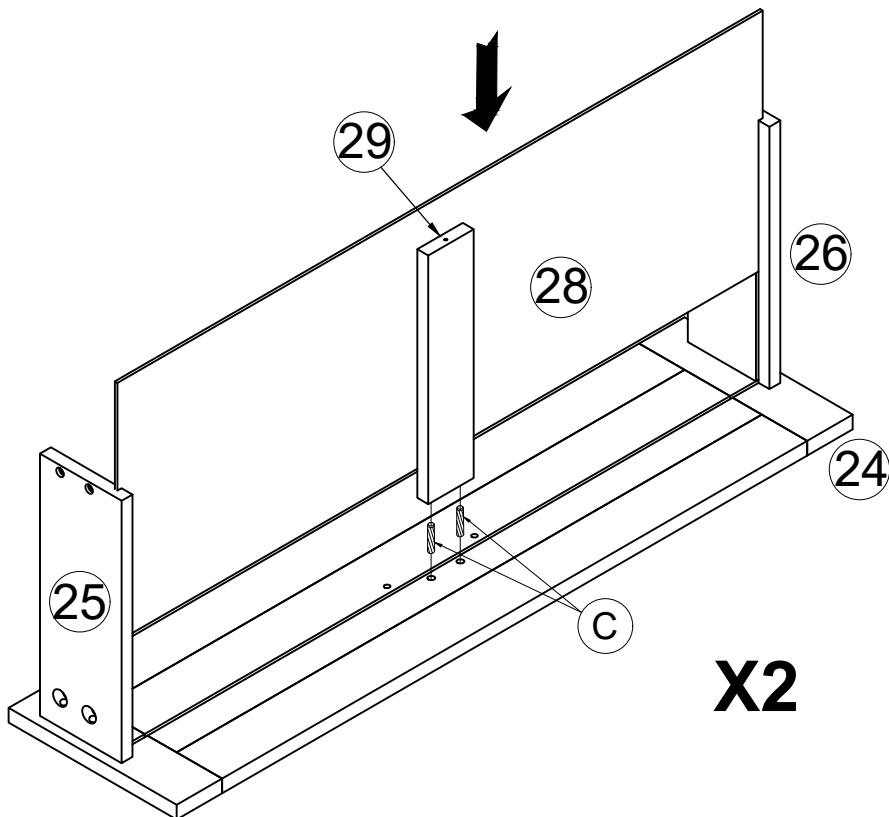
ASSEMBLY INSTRUCTIONS


STEP 30



B		8PCS
---	---	------

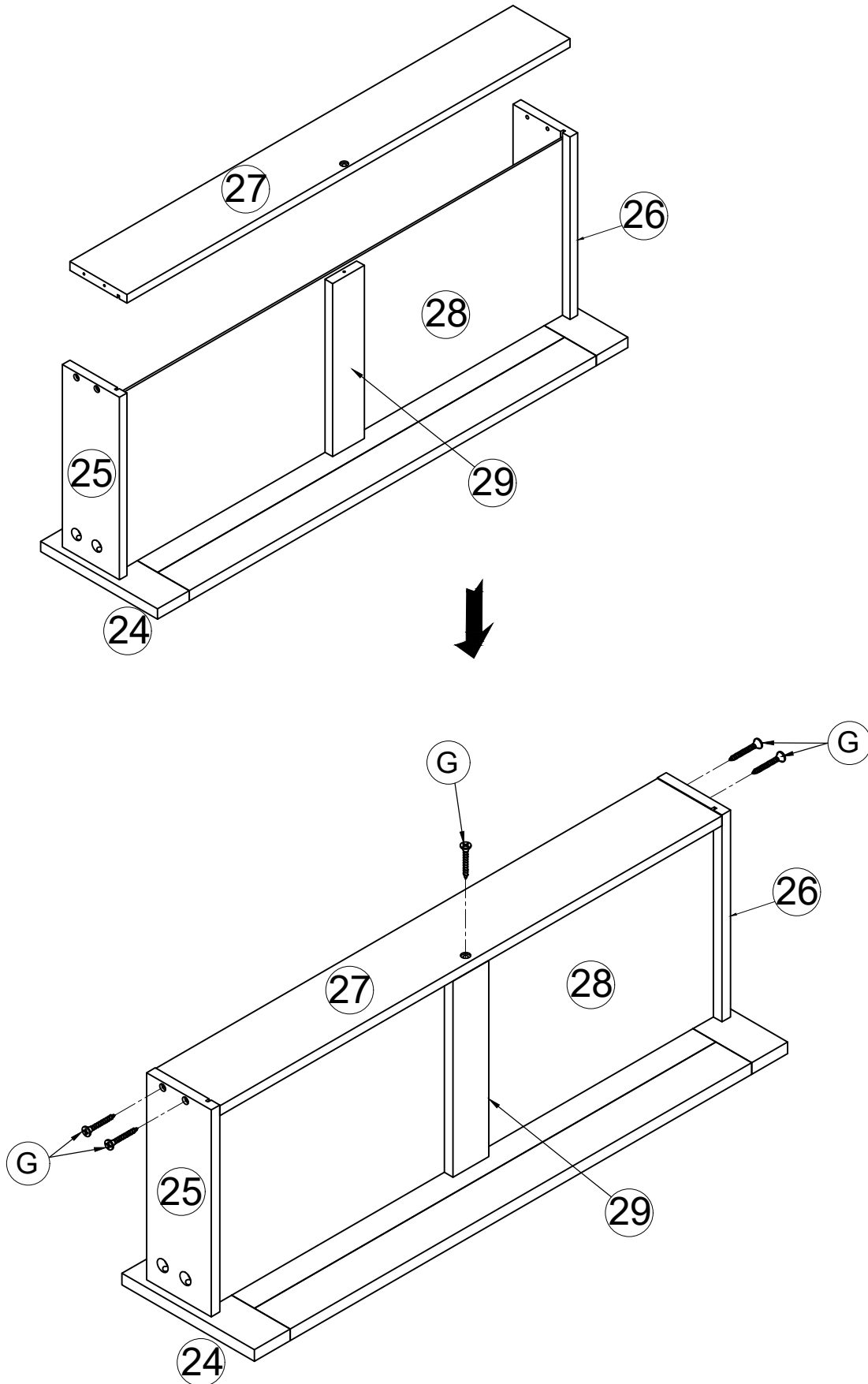
STEP 31



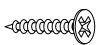
C		4PCS
---	---	------

ASSEMBLY INSTRUCTIONS

STEP 32



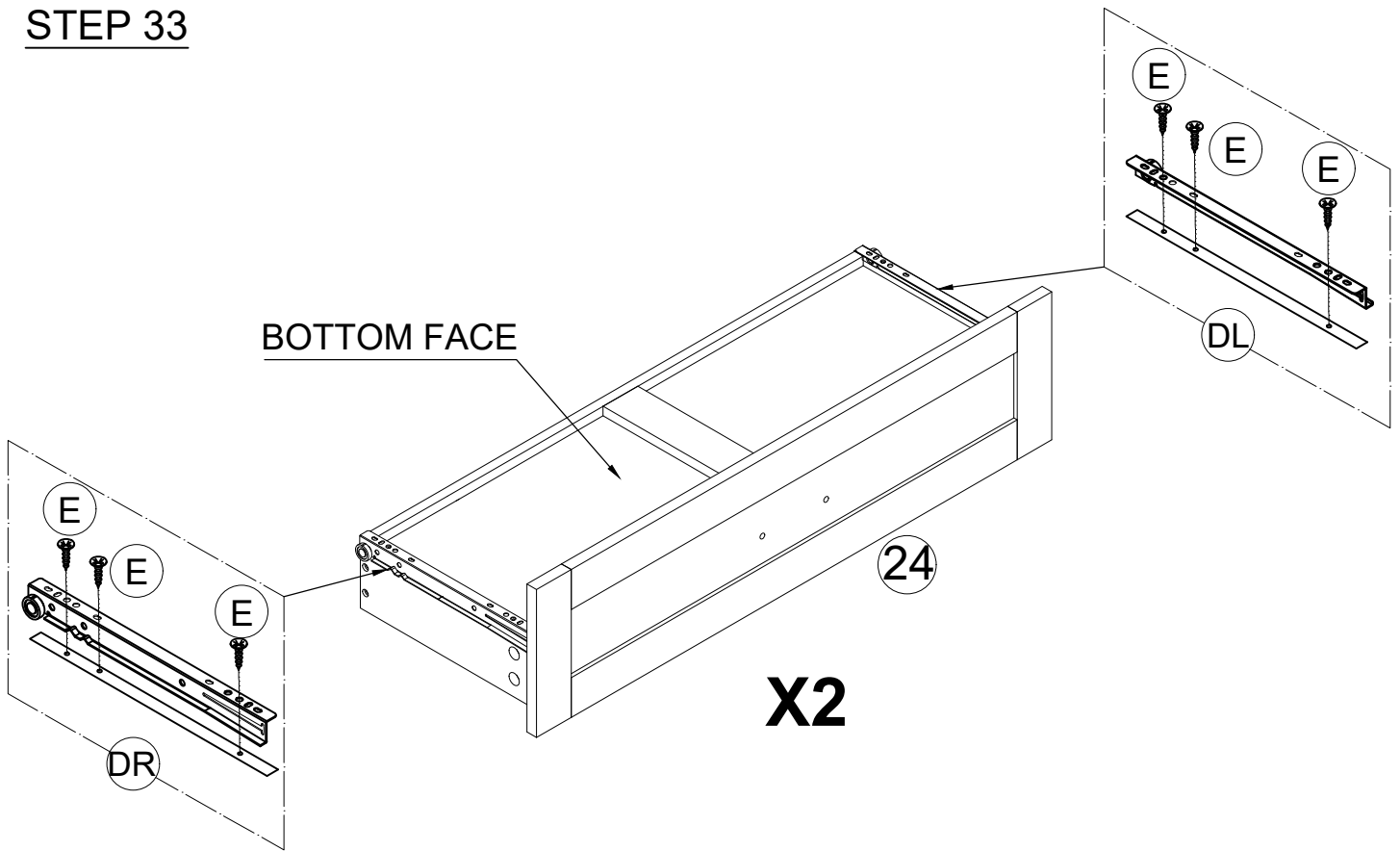
G

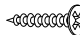




10PCS

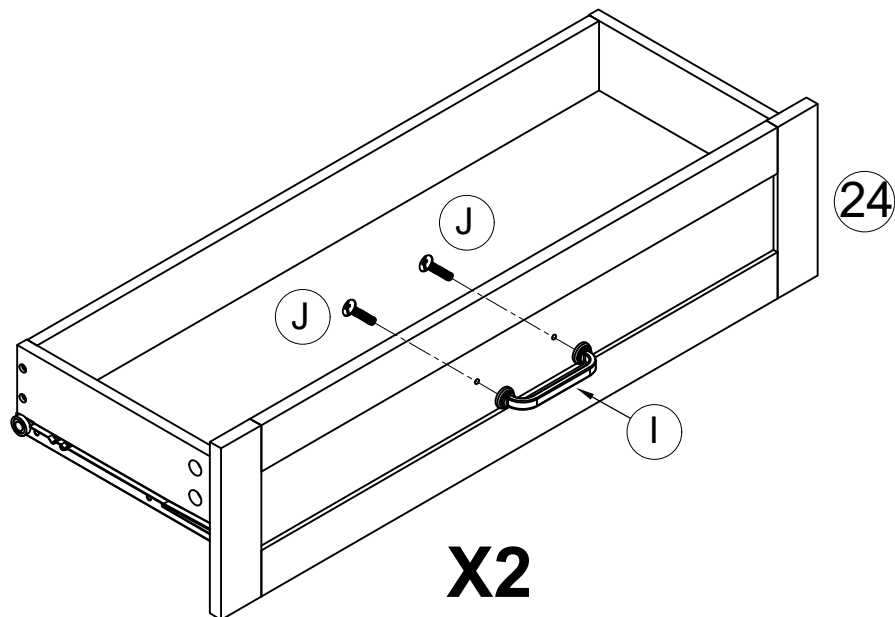
ASSEMBLY INSTRUCTIONS



STEP 33



E		12PCS
DL		2PCS
DR		2PCS

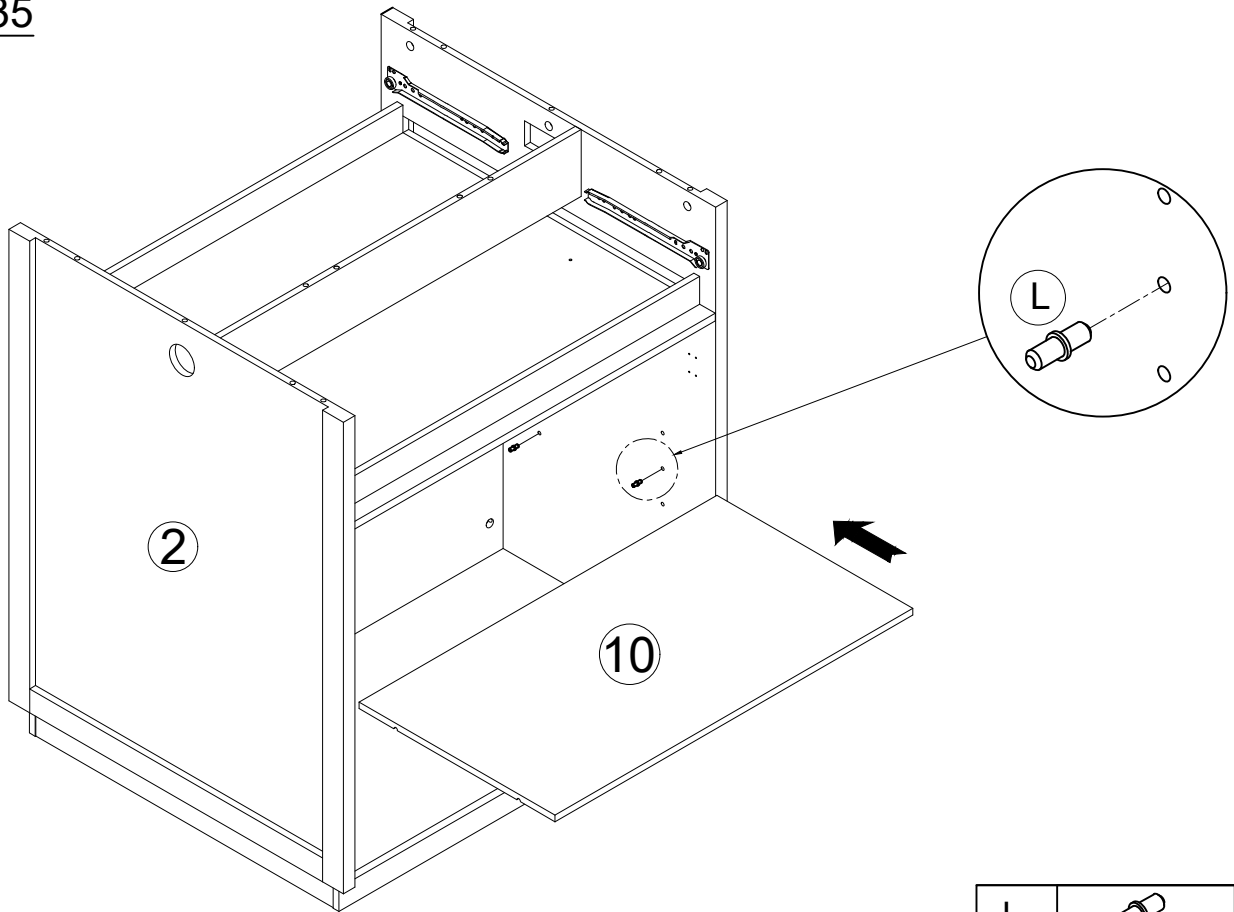
STEP 34




I		2PCS
J		4PCS

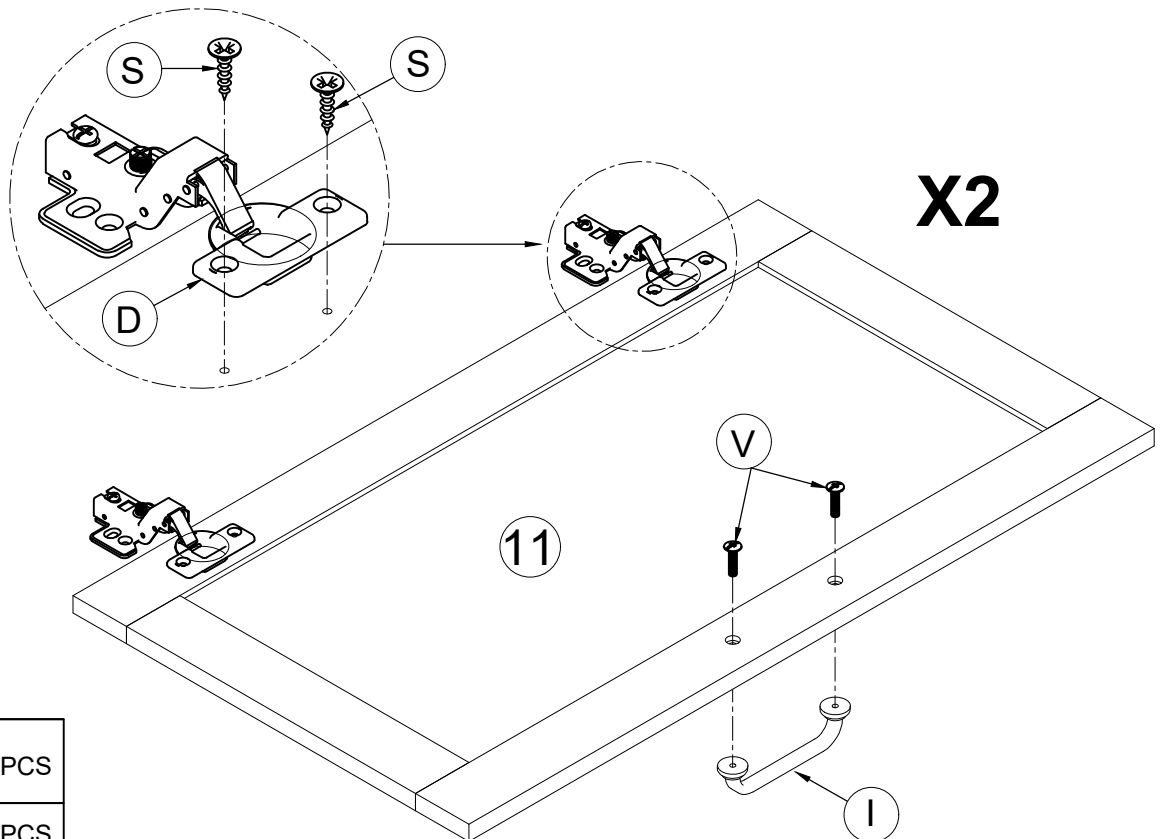
ASSEMBLY INSTRUCTIONS





STEP 35



L		4PCS
---	---	------

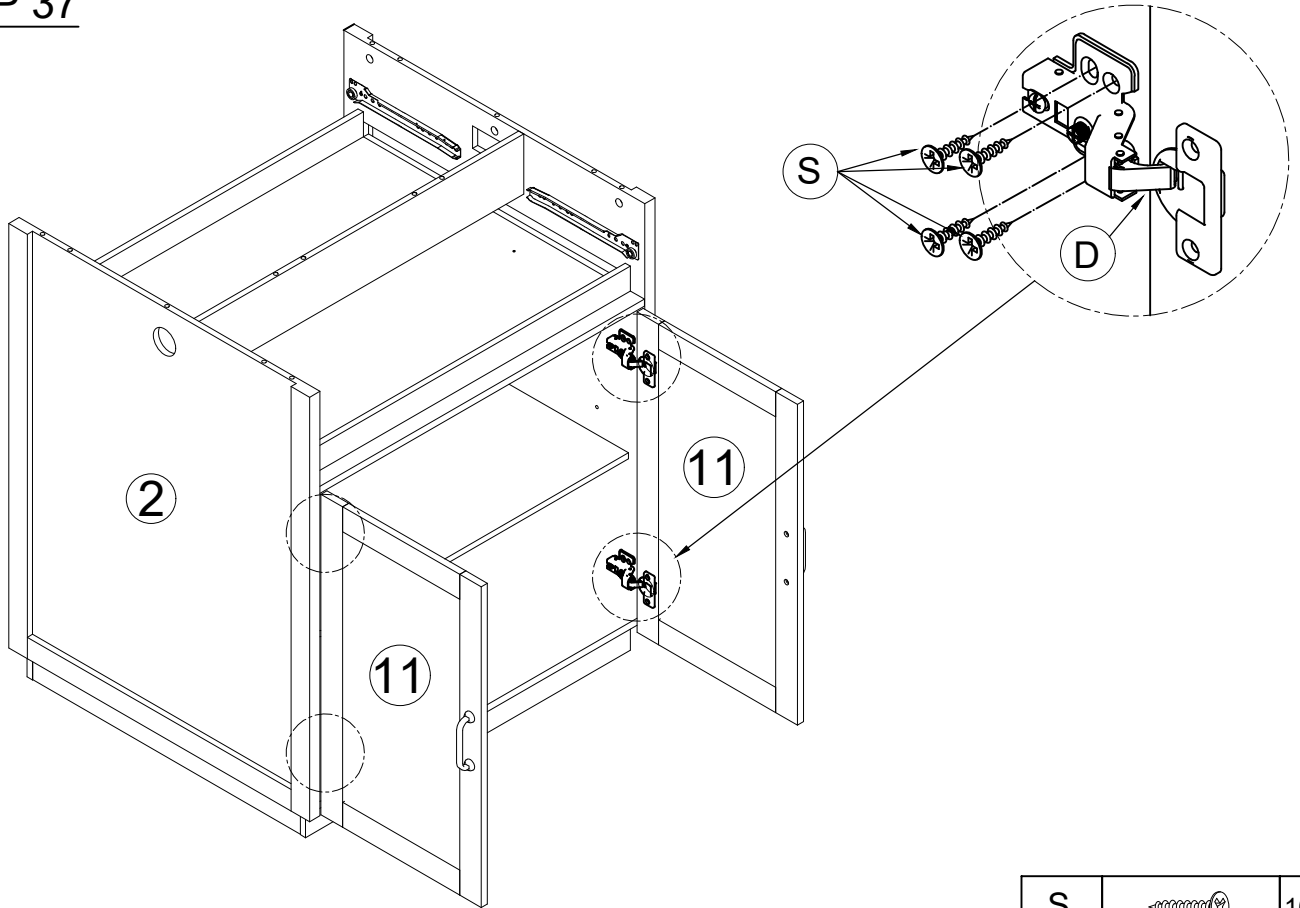
STEP 36

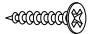


D		4PCS
V		4PCS
I		2PCS
S		8PCS

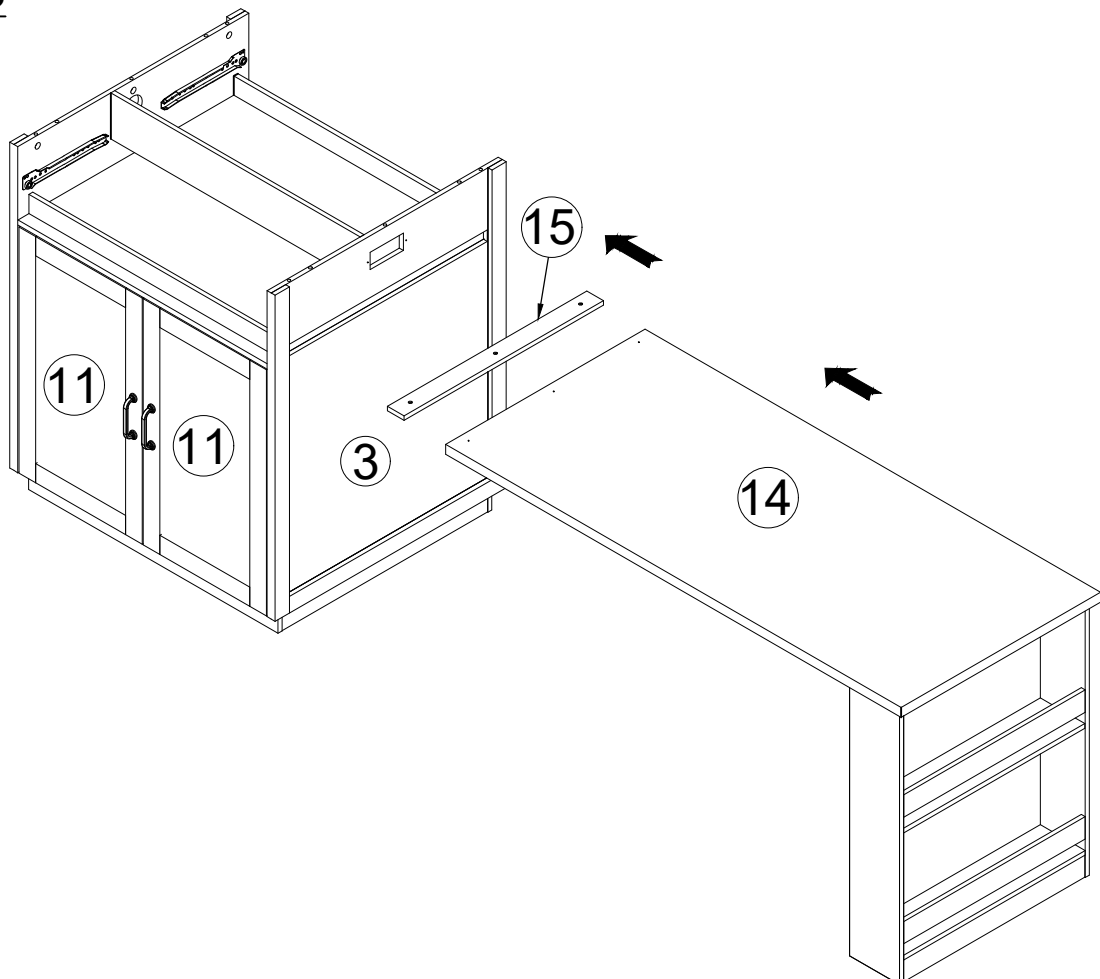
ASSEMBLY INSTRUCTIONS

STEP 37



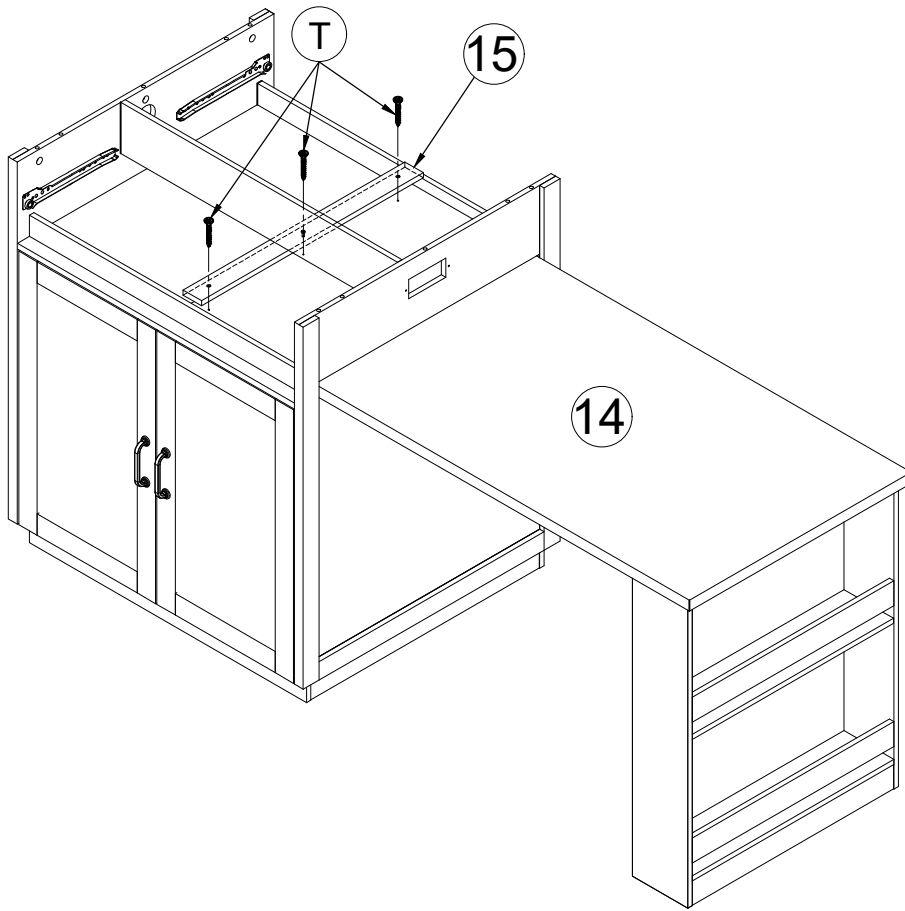
S		16PCS
---	---	-------


STEP 38



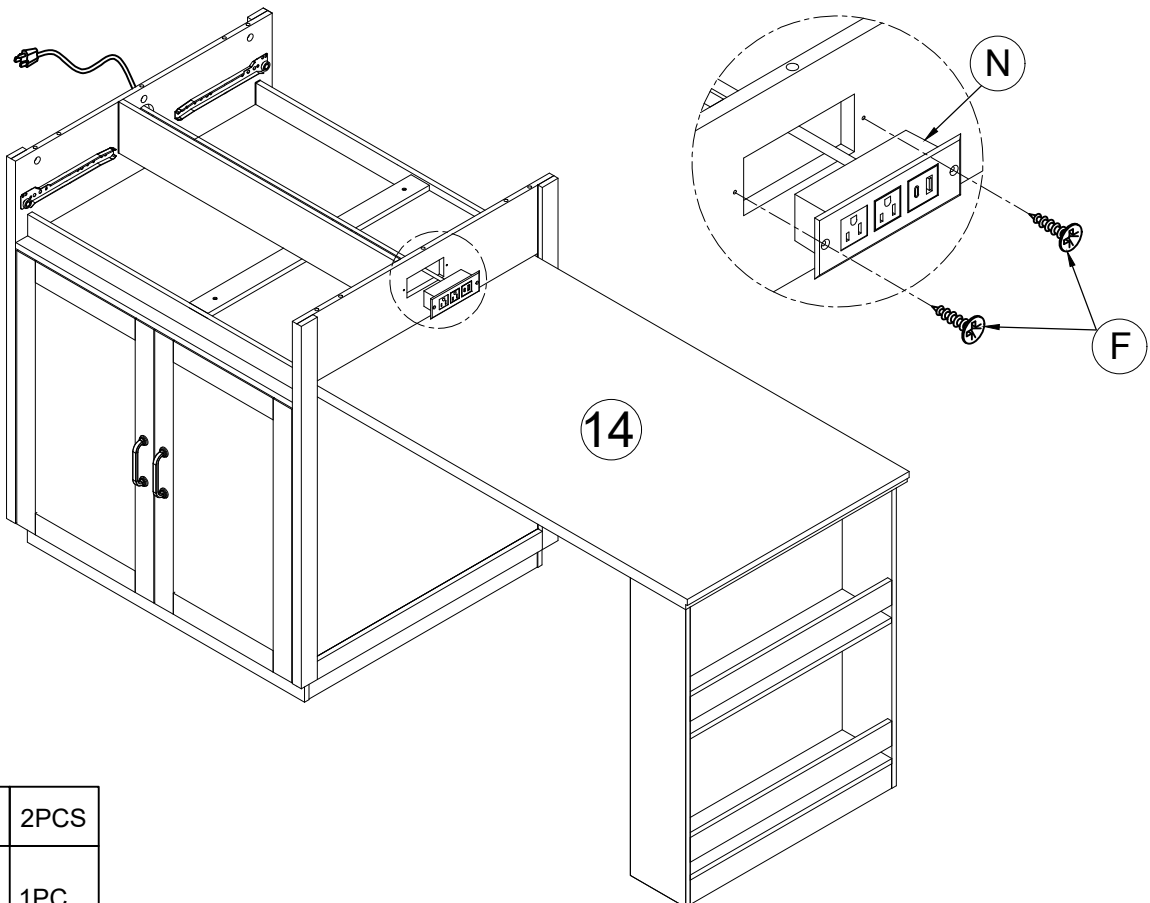
ASSEMBLY INSTRUCTIONS


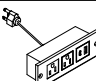
STEP 39



T		3PCS
---	---	------

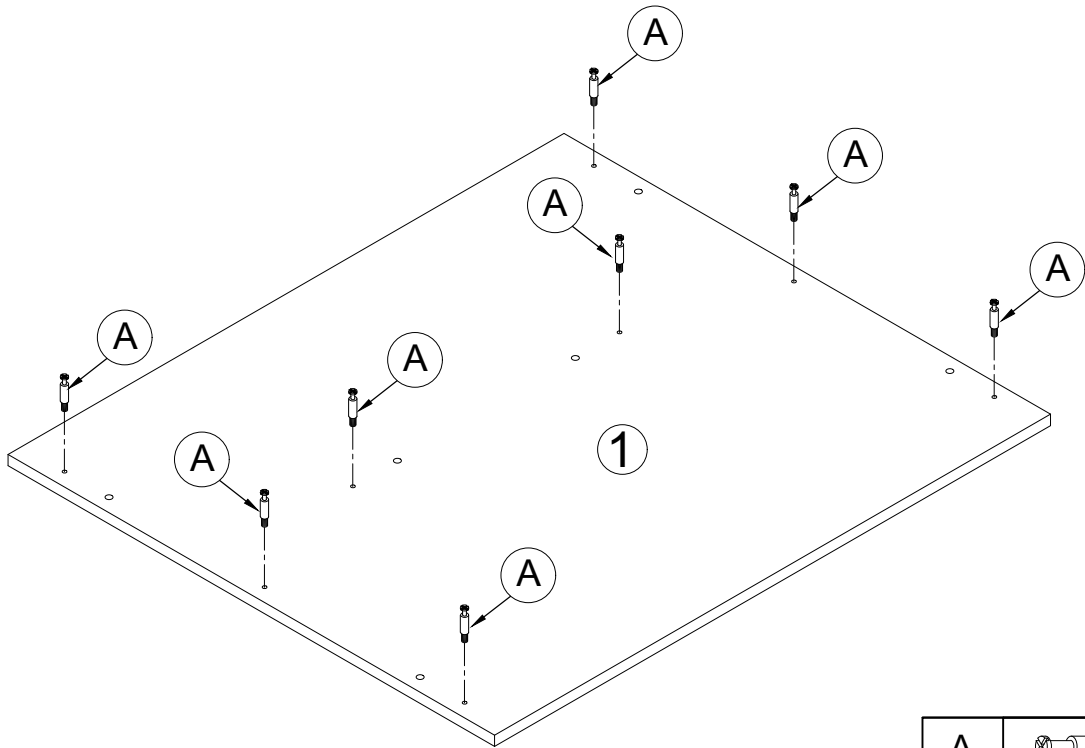
STEP 40

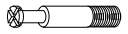


F		2PCS
N		1PC

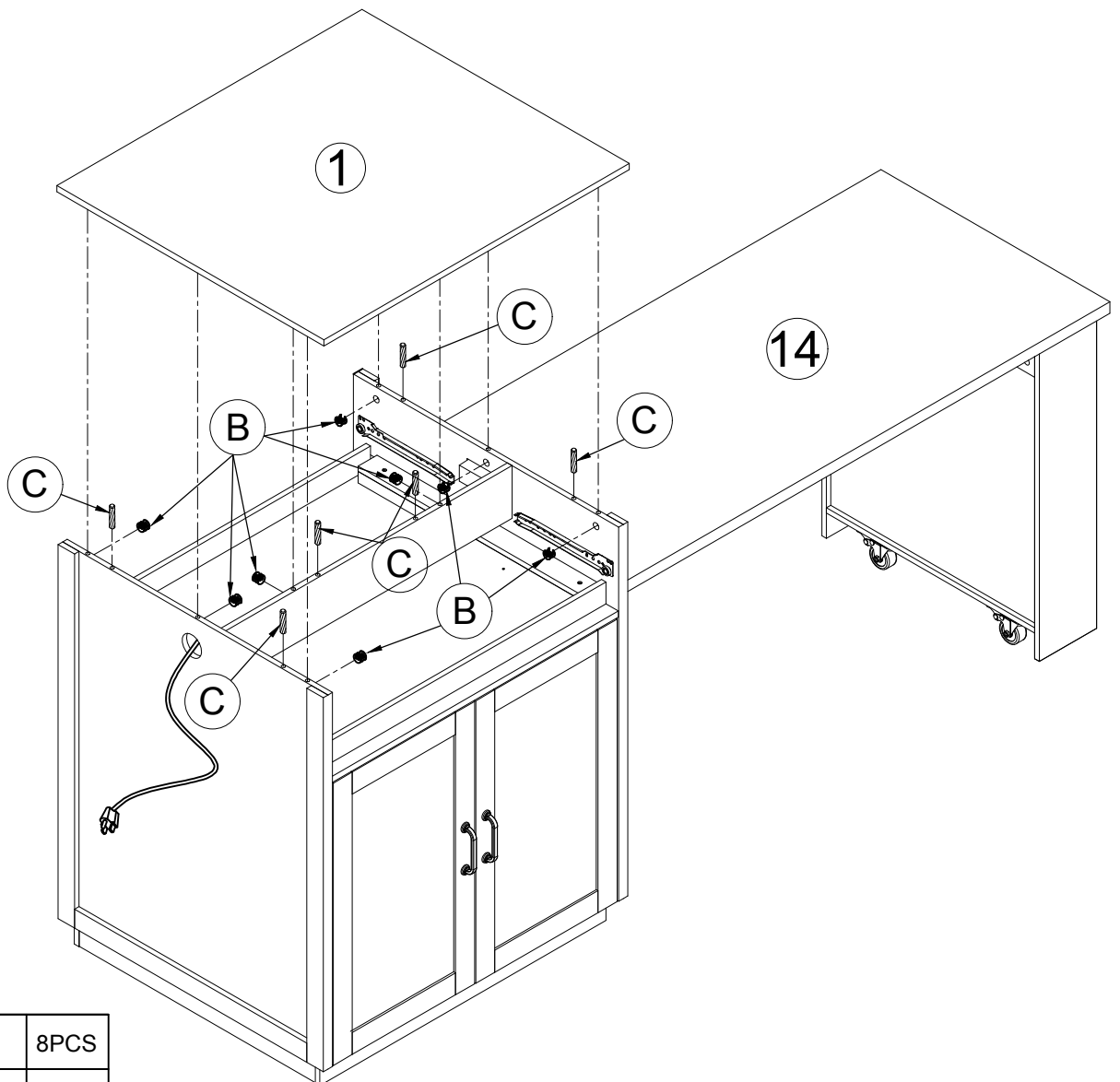
ASSEMBLY INSTRUCTIONS

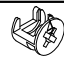

STEP 41



A		8PCS
---	---	------

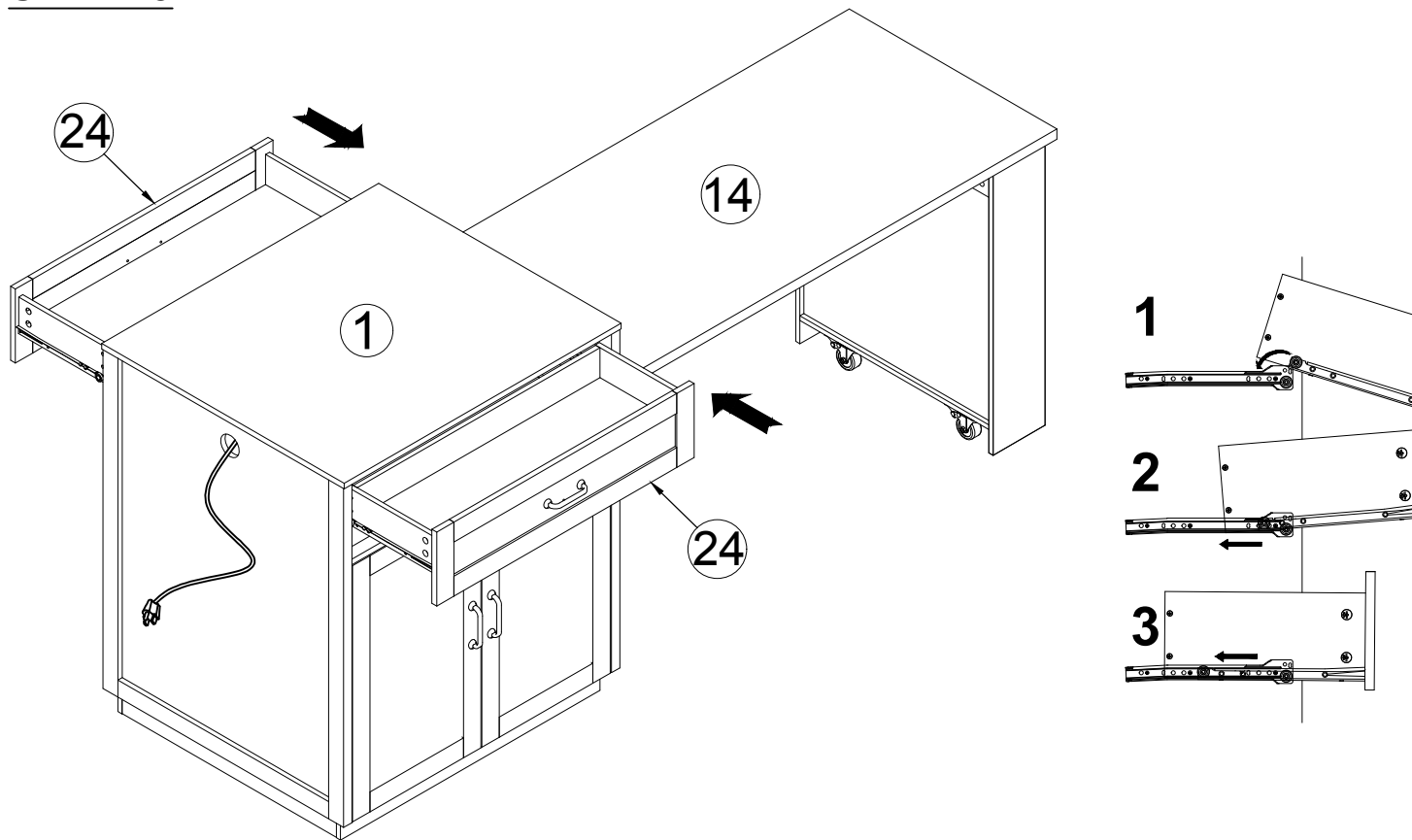
STEP 42



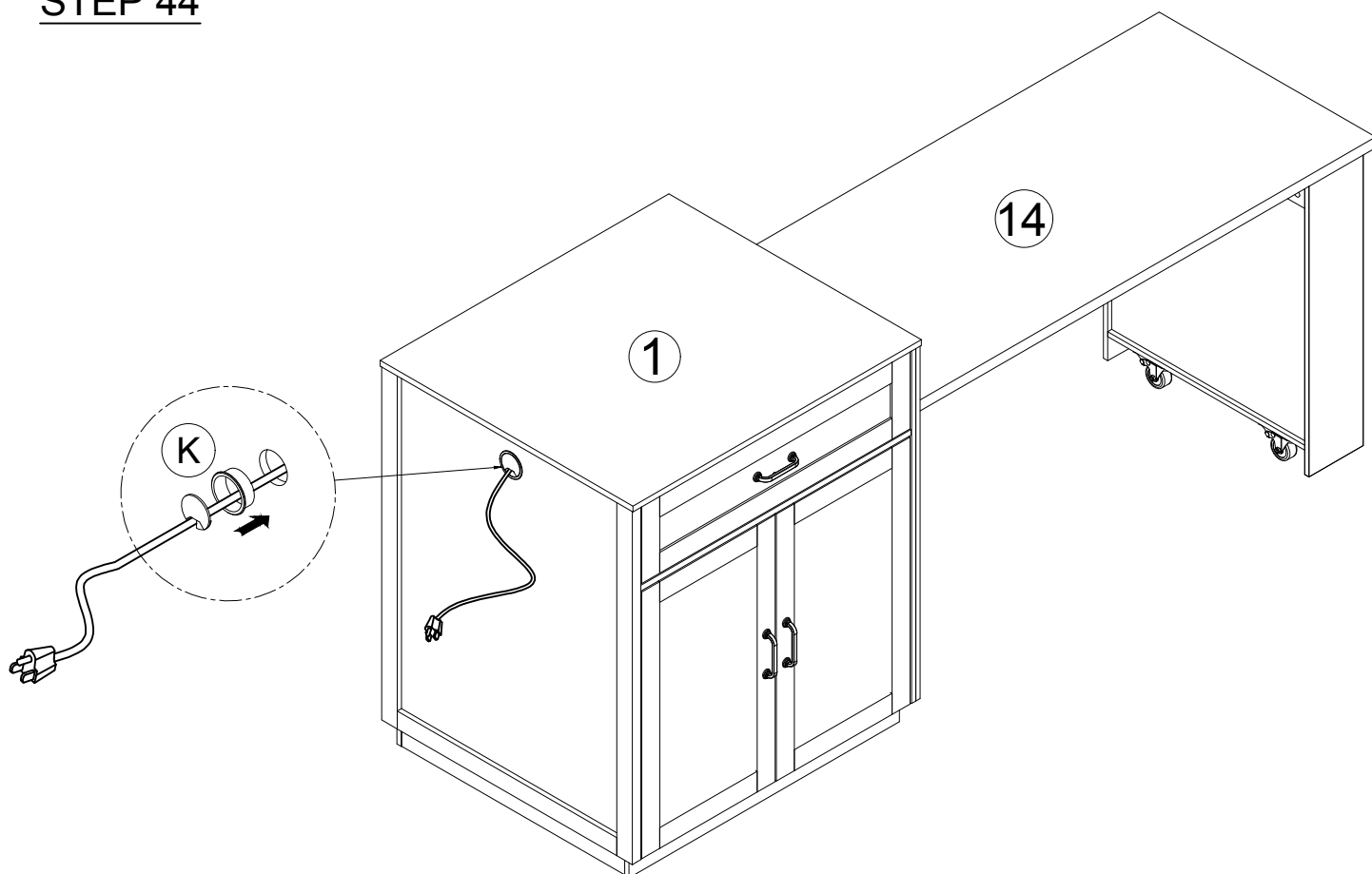
B		8PCS
C		6PCS

ASSEMBLY INSTRUCTIONS

STEP 43



STEP 44



K



1PC

ASSEMBLY INSTRUCTIONS

COMPLETED !

