

## Components® | K-T78016-9

Rite-Temp® valve trim with Industrial handle and diverter

### Features

- A single handle controls both on/off activation and temperature setting
- Includes faceplate with handle
- Integrated push-button diverter
- Antiscald protection
- Coordinates with Components faucets, accessories, and showering components to complete your bathroom
- Pressure-balancing diaphragm technology maintains outlet temperature within +/-3°F during water pressure fluctuations



### Available Colors/Finishes

*Color tiles intended for reference only.*

- CP Polished Chrome
- SN Vibrant Polished Nickel
- AF Vibrant French Gold
- BN Vibrant Brushed Nickel
- BV Vibrant Brushed Bronze
- BL Matte Black
- 2MB Vibrant Brushed Moderne Brass
- TT Vibrant Titanium
- BGP Vibrant Brushed Graphite



1-800-4KOHLER (1-800-456-4537)

Kohler Co. reserves the right to make revisions without notice to product specifications.  
For the most current specification sheet, go to [www.kohler.com](http://www.kohler.com) USA or [www.kohler.ca](http://www.kohler.ca) Canada.  
3-27-2026 18:18 - US-CA

---

## Codes/Standards

ASME A112.18.1/CSA B125.1

---

## Technical Information

*All product dimensions are nominal.*

### Handle

Handle Style/ Type: Cross

---

## Valves

Required Valves: Diverter, Pressure Balance,  
Thermostatic, Volume Control

---

## Material

- Premium material construction with metal handle ensures reliability and durability
  - KOHLER finishes resist corrosion and tarnishing
- 

## Recommended Products/Accessories

K-23723 Faucet cleaner

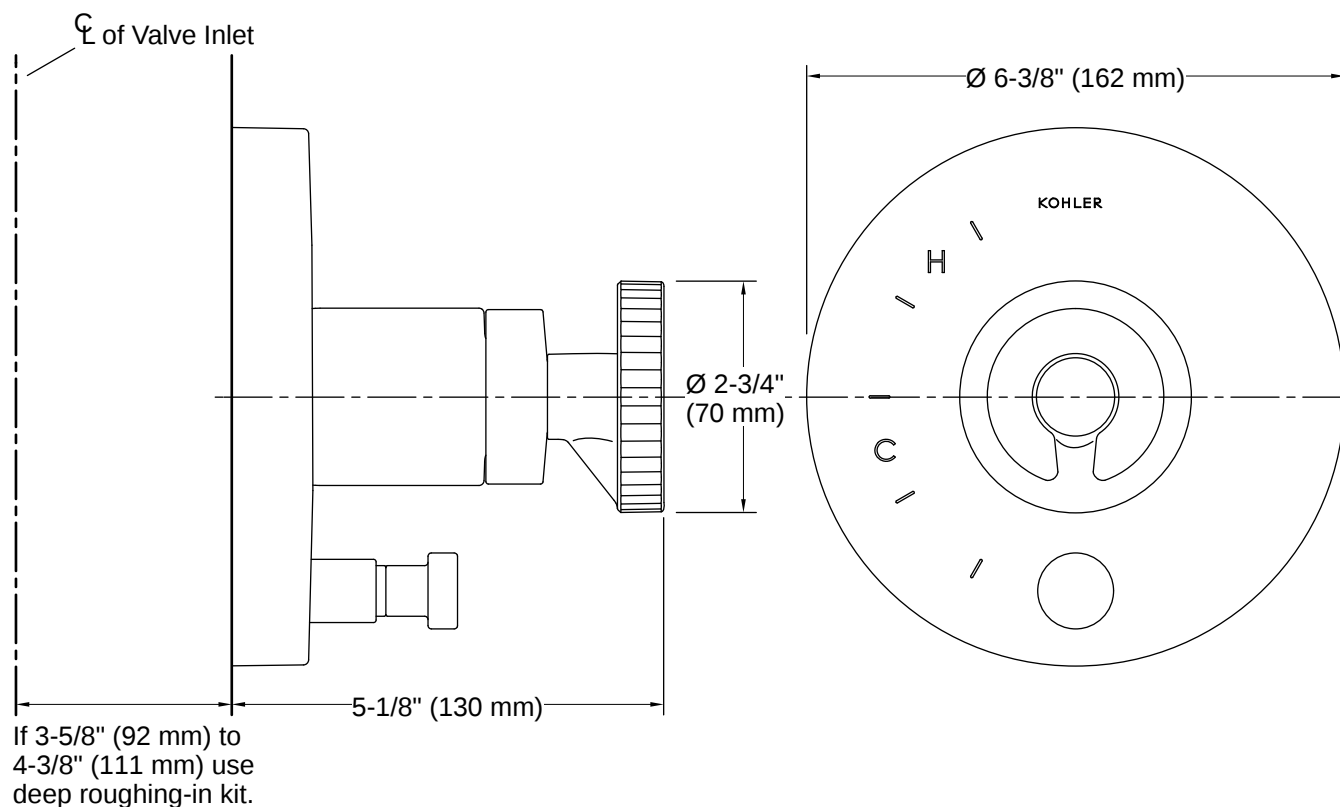
---

## Warranty

*See website for detailed warranty information.*

KOHLER® Faucet Lifetime Limited Warranty





### Installation Notes

*Install this product according to the installation instructions.*

Install straight pipe or tube drop of 7" (178 mm) to 18" (457 mm) with single elbow between the valve and the wall-mount spout.

