

# ASSEMBLY INSTRUCTIONS



## CAUTION

◆ Inspect the wire insulation for any cuts, abrasions, or exposed copper that may have resulted during shipping. If there is a defect in the wire, do not attempt installation.

◆ Before starting installation of this fixture or removal of a previous fixture, disconnect the power by turning off the circuit breaker or by removing the fuse at the fuse box.



If you need further assistance, please contact us by Email: [customersupport@superiordecorinc.com](mailto:customersupport@superiordecorinc.com)

## TOOLS REQUIRED



Ladder



Safety glasses



Electrical tape



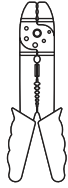
Phillips screwdriver



Flat blade screwdriver



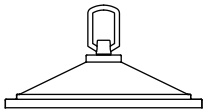
Pliers



Wire strippers

\* PARTS SHOWN MAY DIFFER SLIGHTLY PER LIGHT FIXTURE

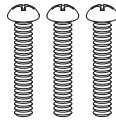
## HARDWARE INCLUDED



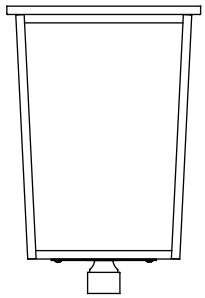
Cover



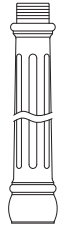
Screws (Short)



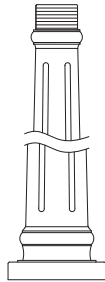
Screws (Thick)



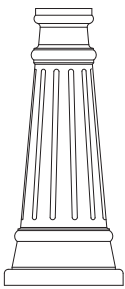
Fixture



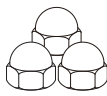
Decorative Pillar (TOP)



Decorative Pillar (MIDDLE)



Decorative Pillar (BOTTOM)



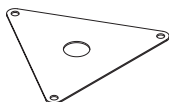
Big Cap Nuts



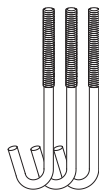
Electric Wire



Wire Nuts



A Tripod

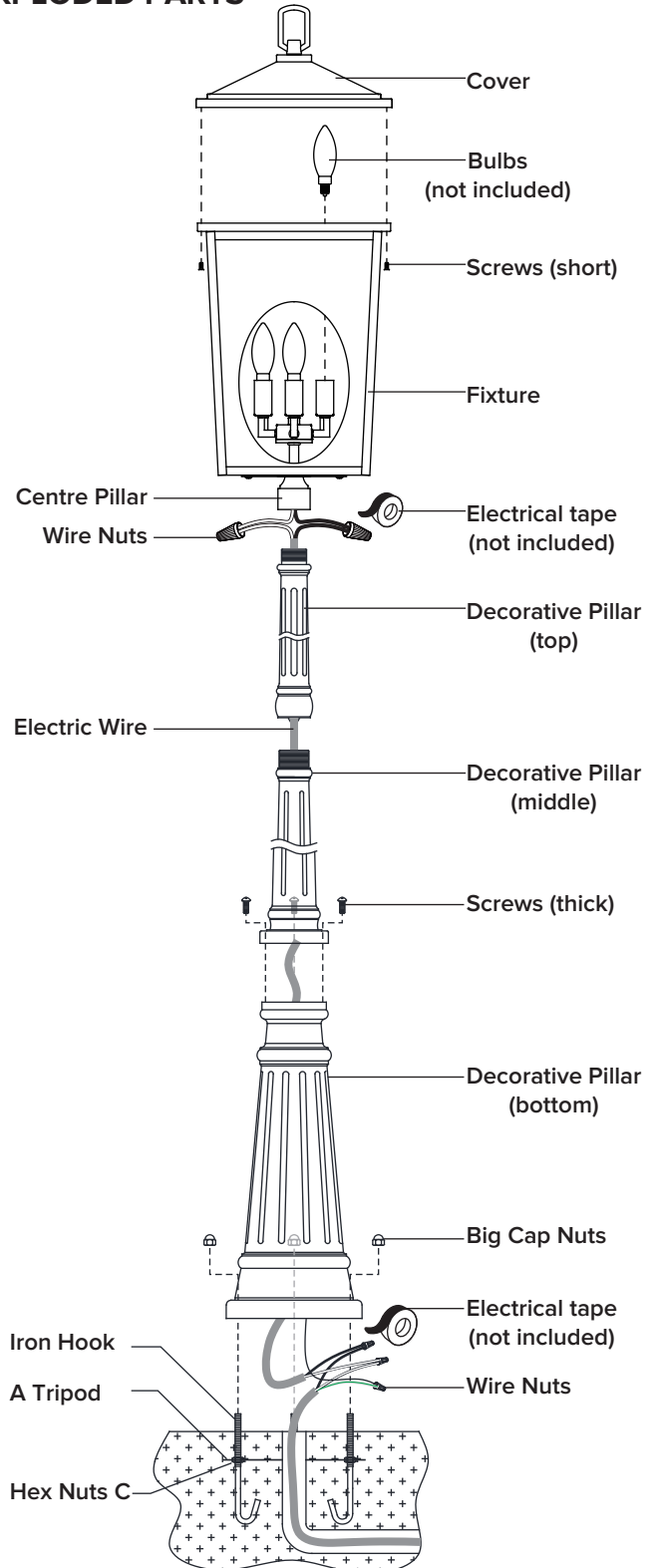


Iron Hook



Hex Nuts C

## EXPLODED PARTS

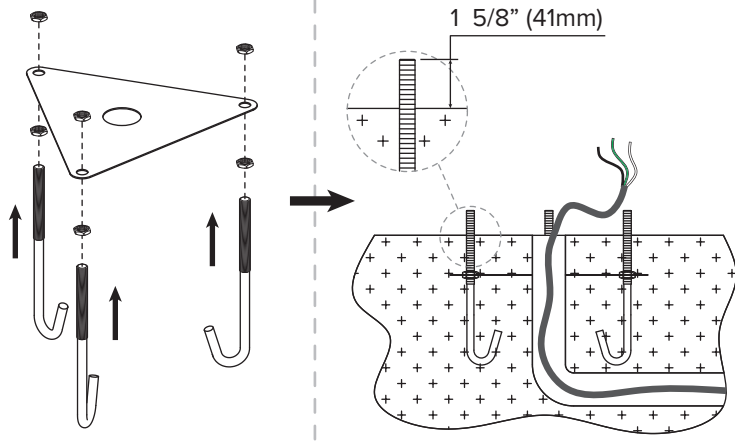


# INSTALLATION

## STEP 1

Install **iron hook** into the **a tripod** with the **hex nuts C** then embed the component in the ground level with concrete.

Note: the threaded nipple must protrude outward 1 5/8"(41mm).

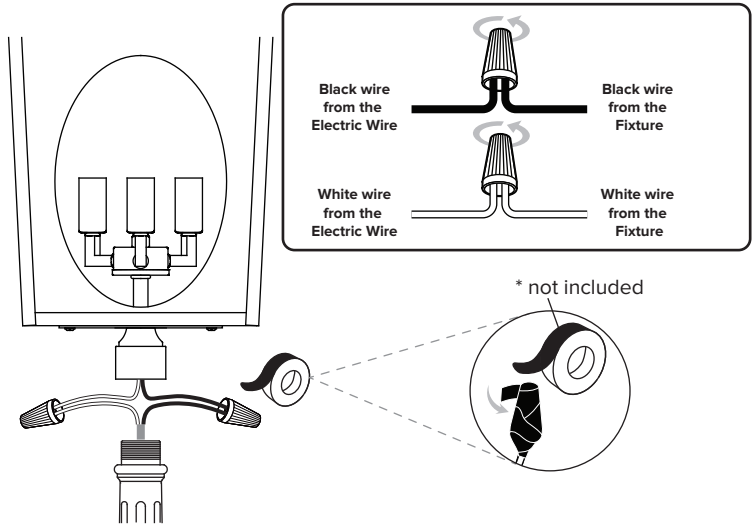


## STEP 2

Run the **electric wire** across the **centre pillar**.

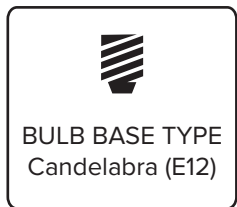
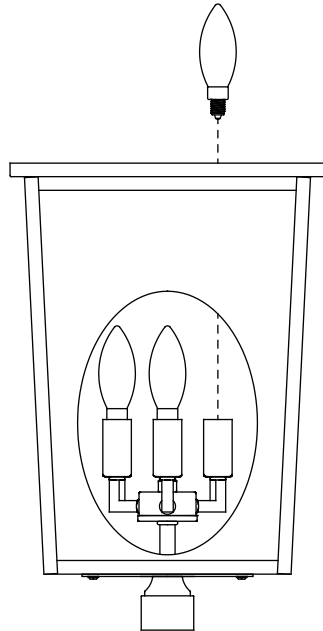
Next, connect the black wire and white wire with the supplied **wire nuts**. Secure with electrical tape(not included).

Then carefully tuck wires back into the **centre pillar**.



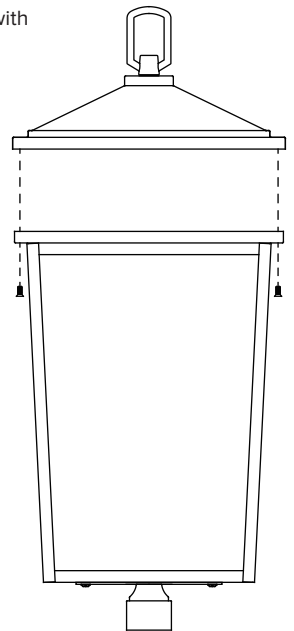
## STEP 3

Install bulb (not included).



## STEP 4

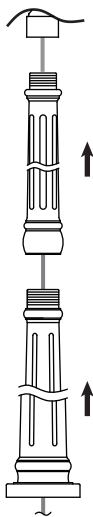
Place **cover** onto the **Fixture** and secure with **Screws (short)**



## STEP 5

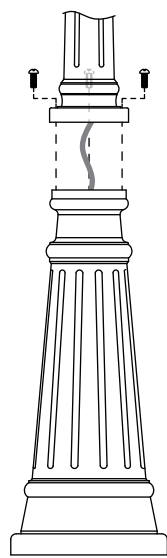
Pass through the **electric wire** into **decorative pillar(top)** and **decorative pillar(middle)**.

Secure the **decorative pillar(top)** into **centre pillar**, then secure the **decorative pillar(middle)** into **decorative pillar(bottom)**.



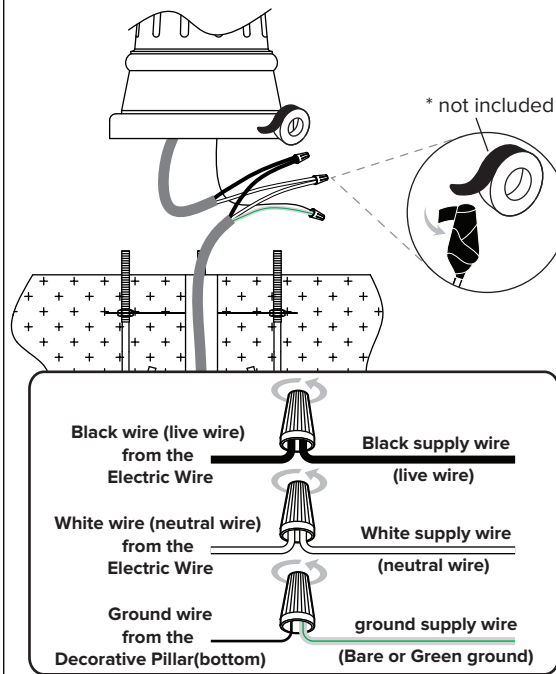
## STEP 6

Pass through the **electric wire** into **decorative pillar(bottom)**, attach the **decorative pillar (bottom)** onto **decorative pillar (middle)** using **screws(thick)**.



## STEP 7

Connect the live wire, neutral wire and ground wire with the supplied **wire nuts**. Secure with electrical tape(not included).



## STEP 8

Attach the **decorative pillar to (bottom)** to the **iron hook** through screw holes, and secure it with **big cap nuts**.

