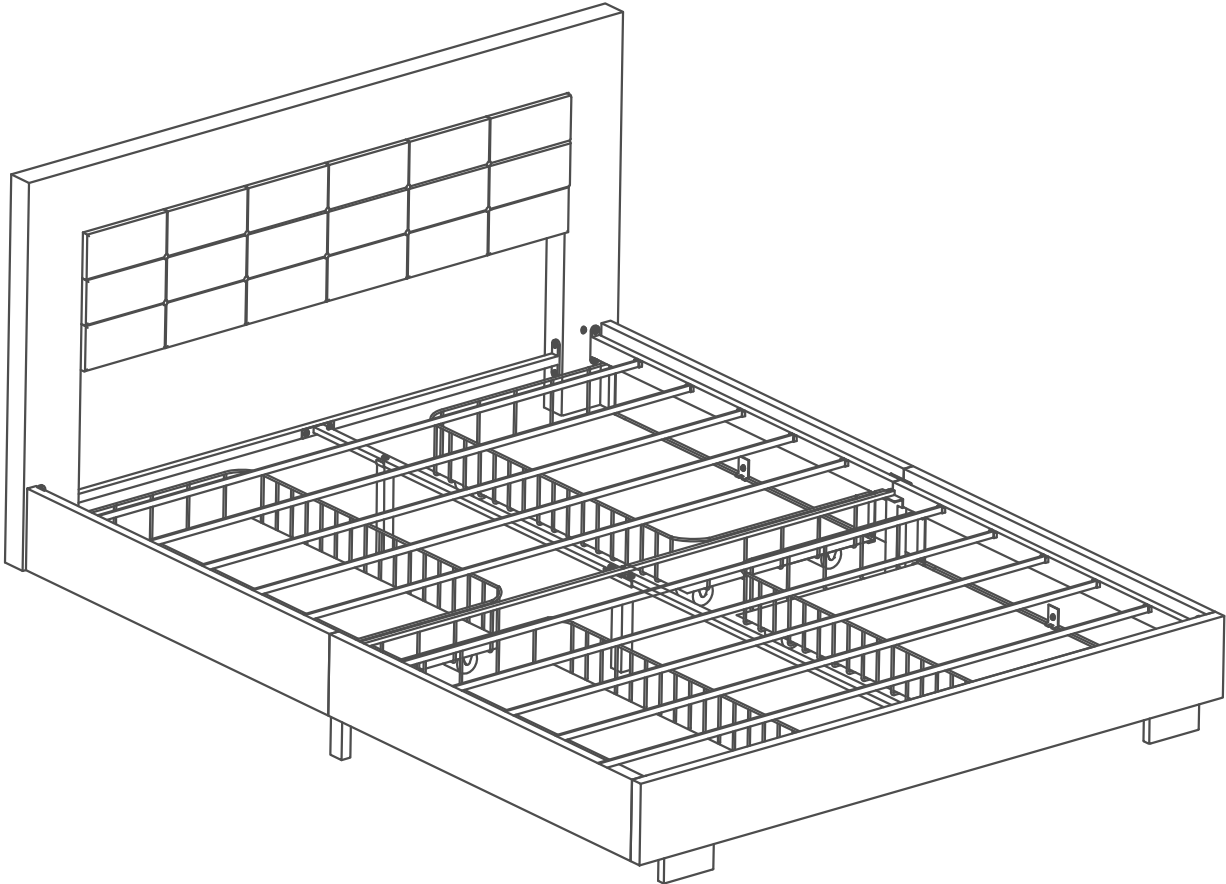


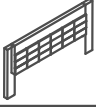


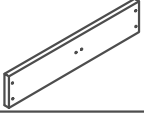

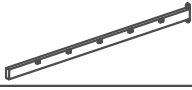








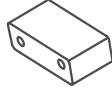
# Uphostered Bed/INSTRUCTION MANUAL



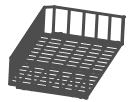
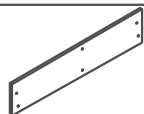

WF313805

---


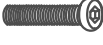
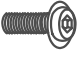
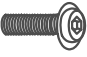
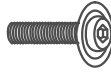
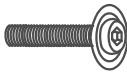



## PART LIST OF BED:

A	Headboard		1pc
A1	Wood leg		1pc
A2	Wood leg		1pc
B	Footboard		1pc
C	Side Rail		2pcs
D	Side Rail		2pcs
E	Slats		10pcs
F	Horizontal metal Support		1pc
F1	Side Rail Support leg		2pcs
G	Middle metal Support		1pc
G1	Middle metal Support		1pc
I	Middle metal Leg		1pc
L	Reinforcement metal Leg		1pc
N	Reinforcement Support		1pc
H	Plastic Leg		2pcs

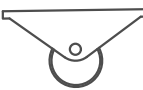

## PART LIST OF DRAWERS:

P	Drawer		4pcs
Q	Upholstered Front Side Panel		4pcs
K	Drawer pad		4pcs

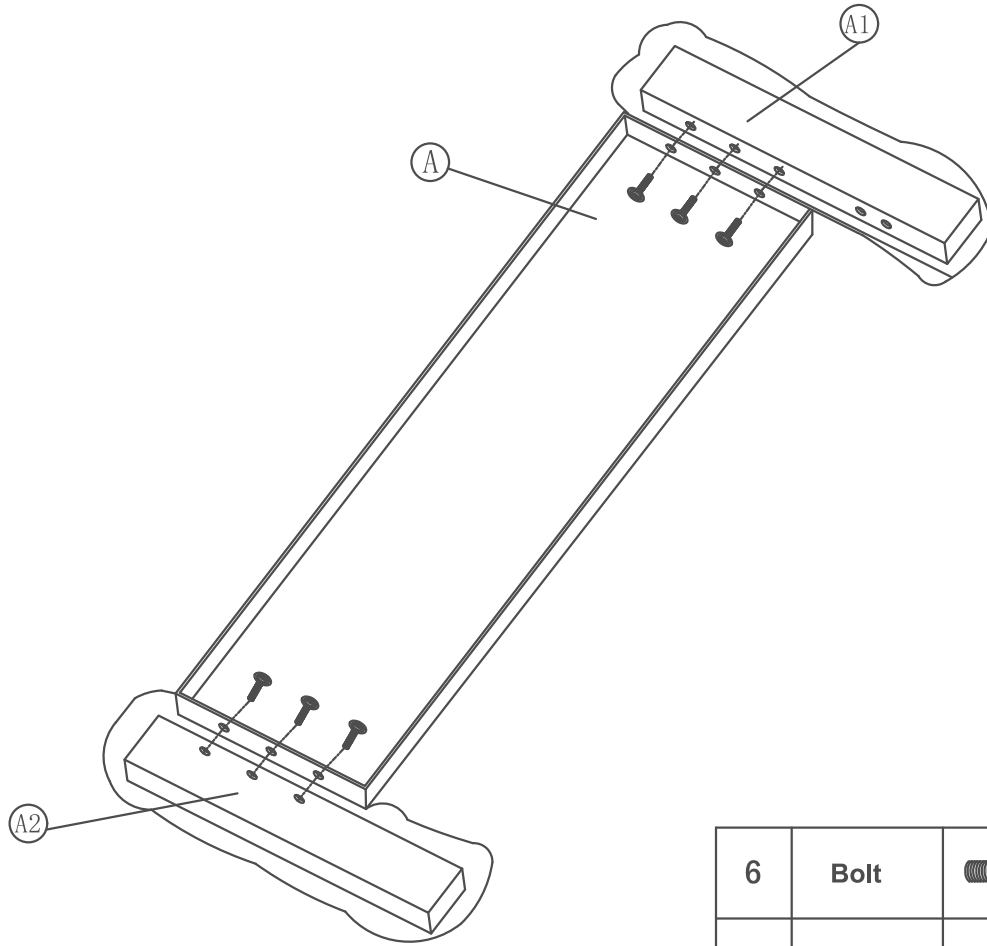
## HARDWARE LIST OF BED:

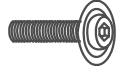

1	Bolt		M6*12	24pcs
2	Bolt		M6*30	4pcs
3	Bolt		M8*18	8pcs
4	Bolt		M8*25	14pcs
5	Bolt		M8*35	3pcs
6	Bolt		M8*40	6pcs
7	Bolt		M8*50	1pc
8	Allen Key		35*70*M5	1pc
9	Allen Key		25*70*M4	1pc

## HARDWARE LIST OF DRAWERS:

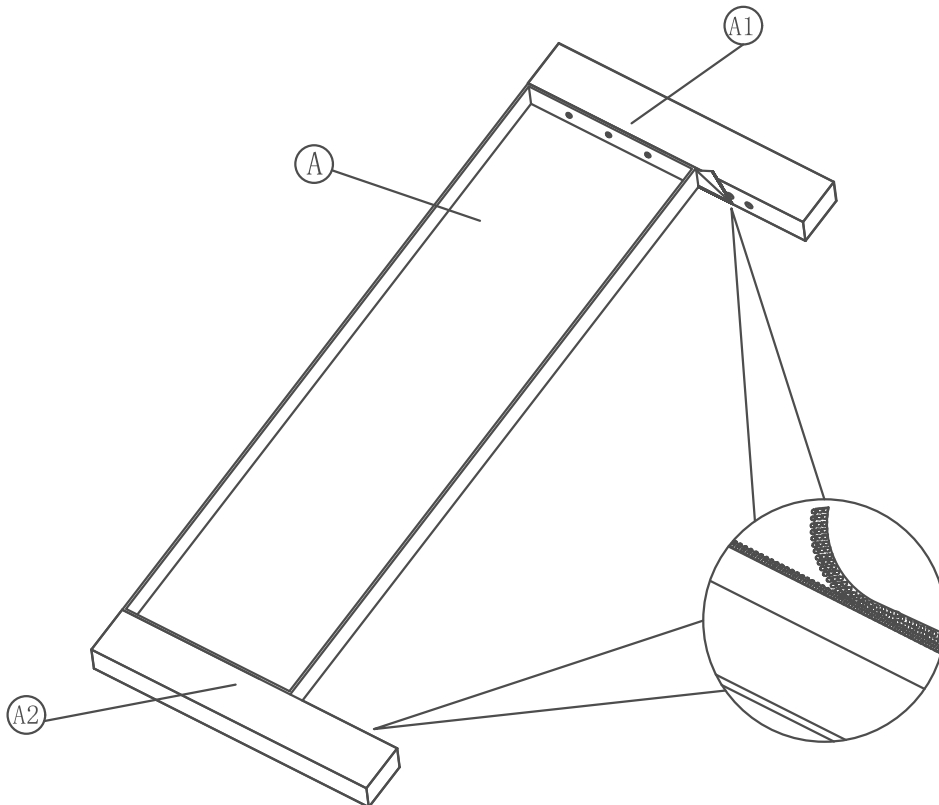
H1	Wheel		-	16pcs
M	Metal part		-	4pcs

1

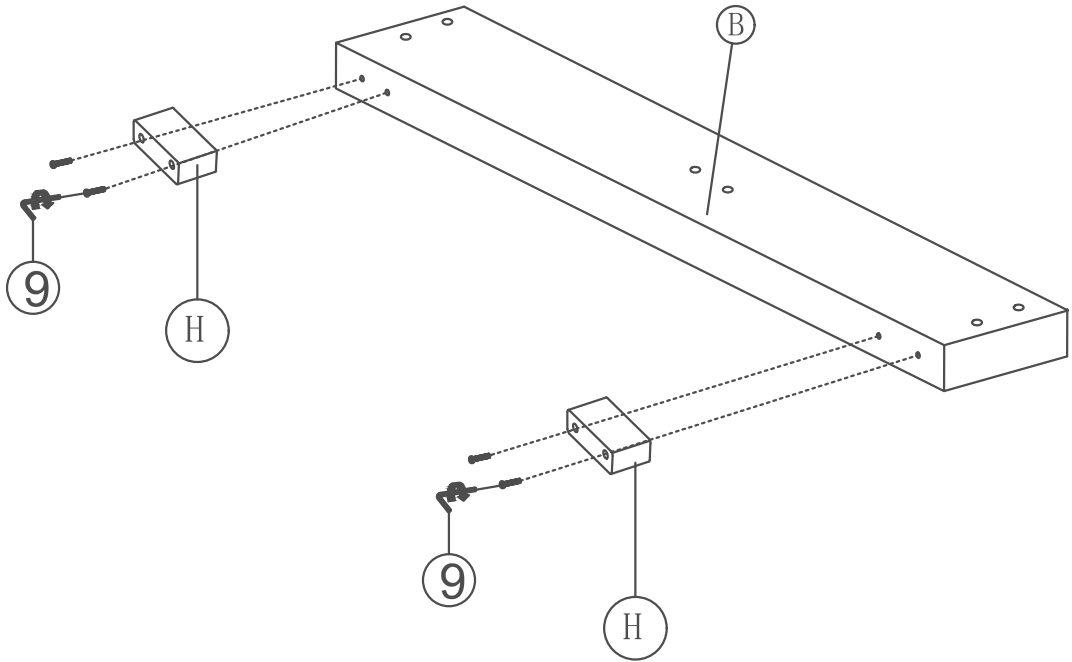




6	Bolt		M8*40	6pcs
8	Allen Key		35*70*M5	1pc

2

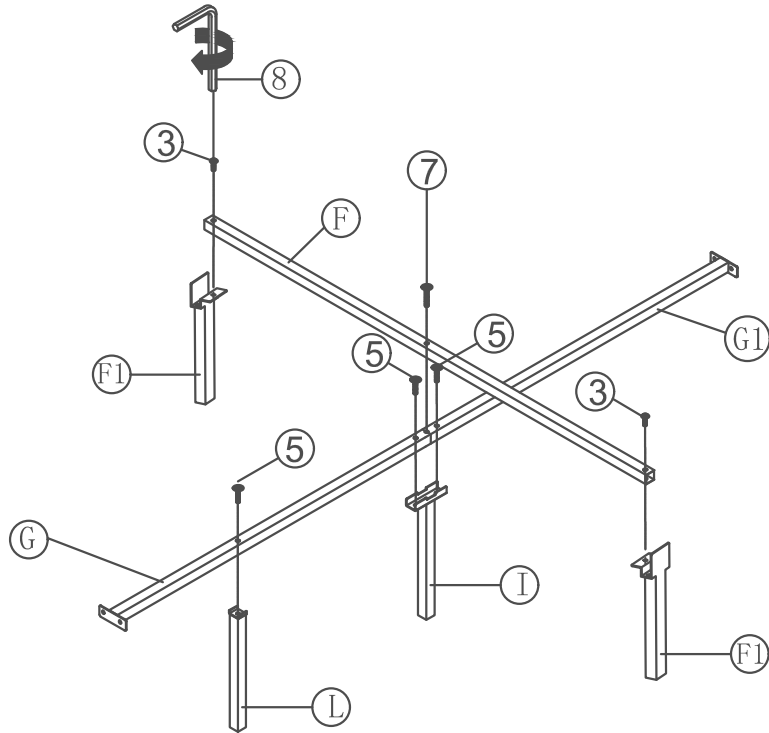






# 3



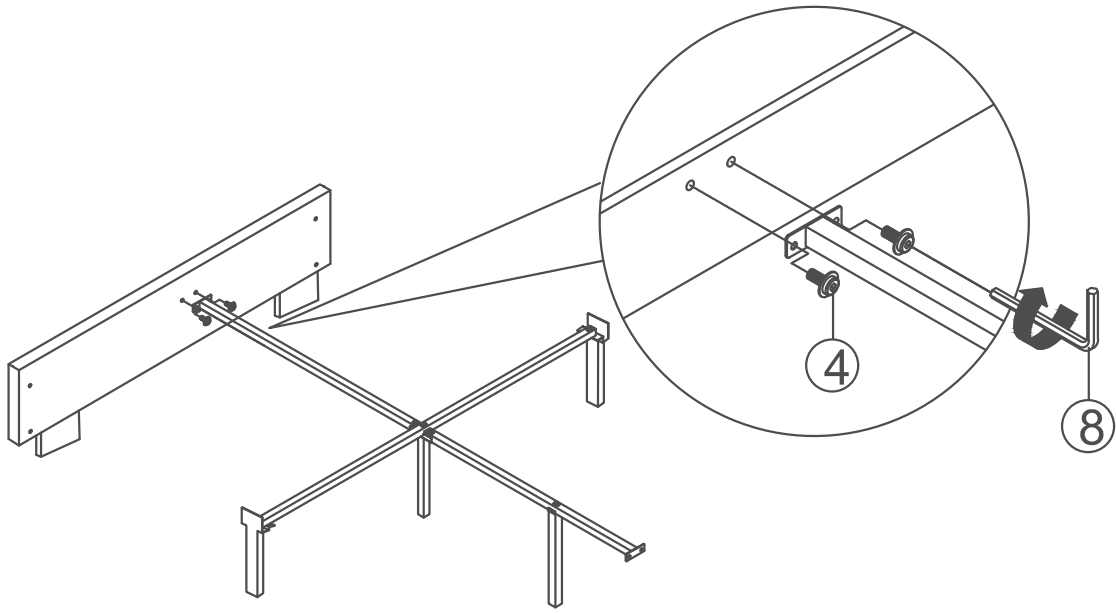
2	Bolt		M6*30	4pcs
9	Allen Key		25*70*M4	1pc

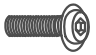

# 4



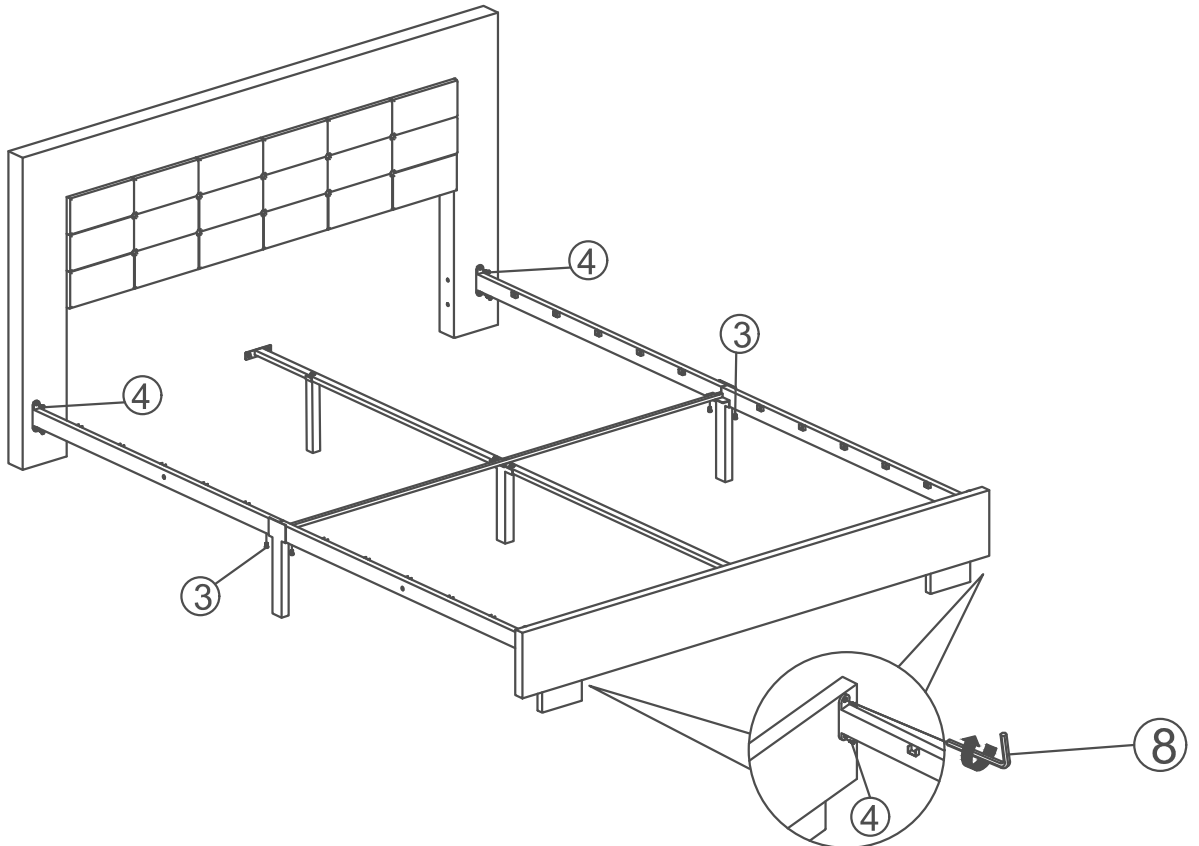
5	Bolt		M8*35	3pcs	3	Bolt		M8*18	2pcs
7	Bolt		M8*50	1pc	8	Allen Key		35*70*M5	1pc

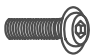


5



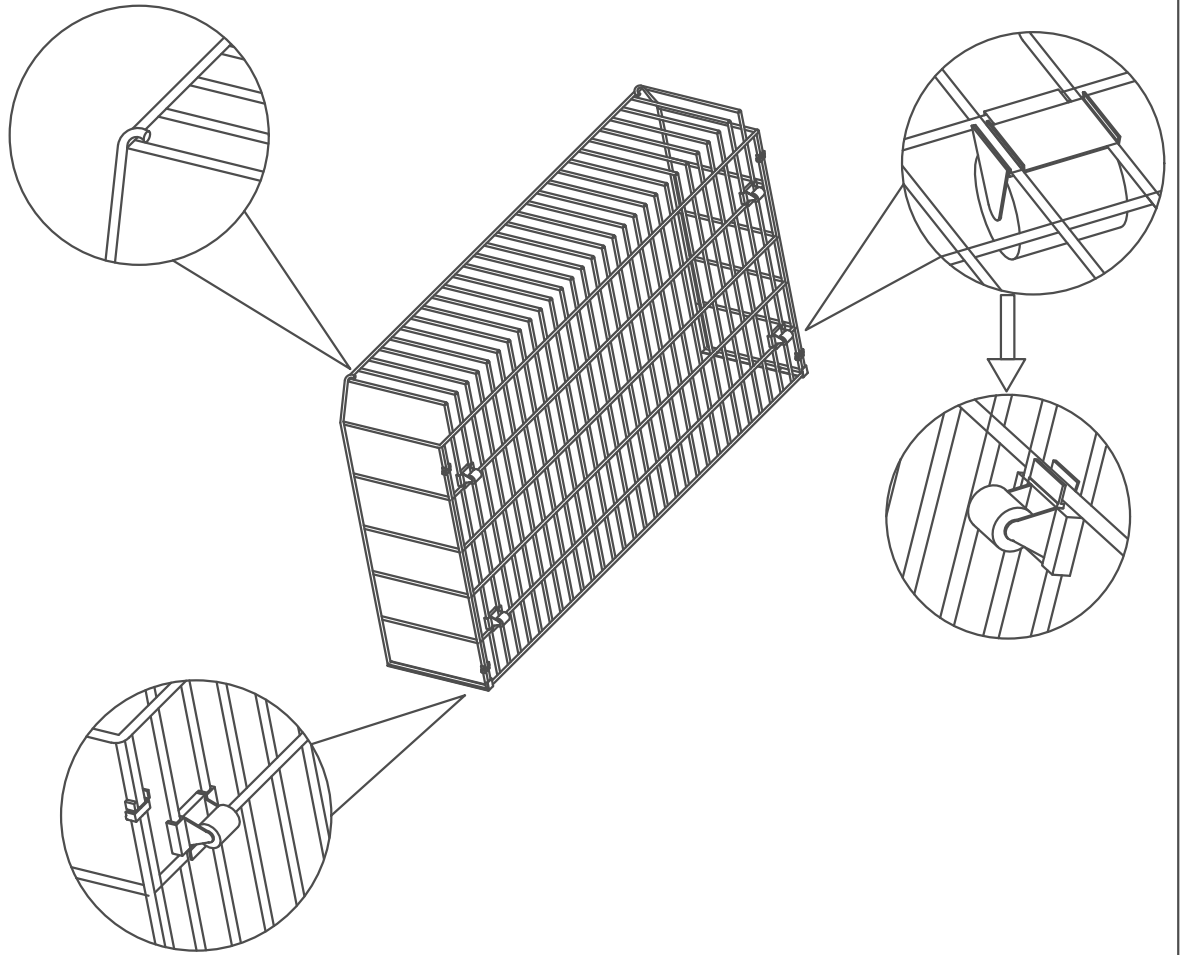
4	Bolt		M8*25	2pcs
8	Allen Key		35*70*M5	1pc

6

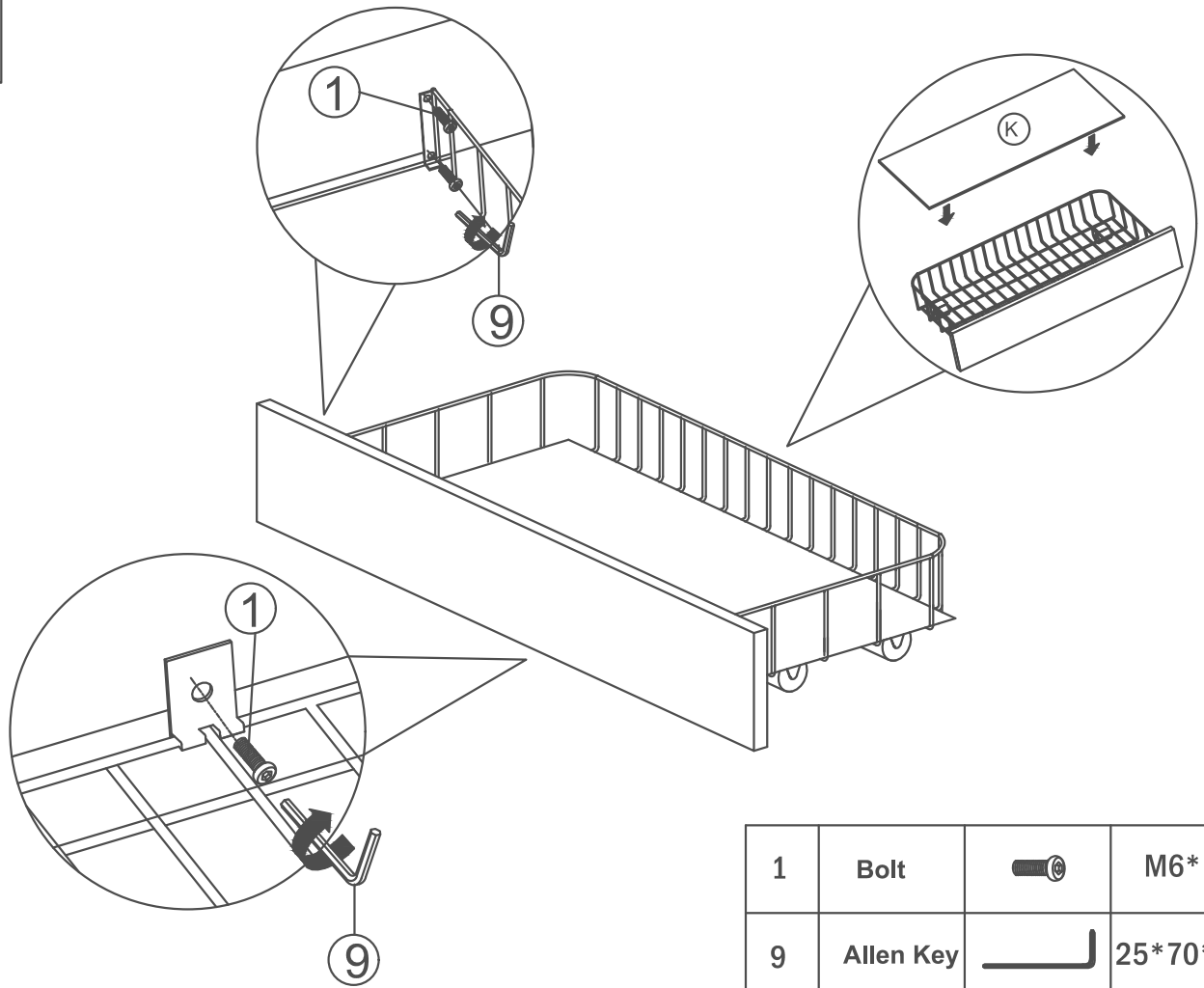




4	Bolt		M8*25	8pcs
3	Bolt		M8*18	4pcs
8	Allen Key		35*70*M5	1pc

7

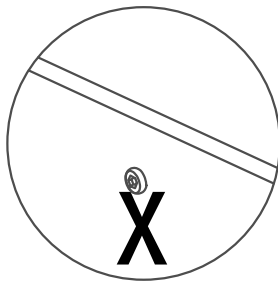
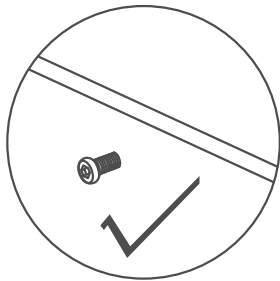
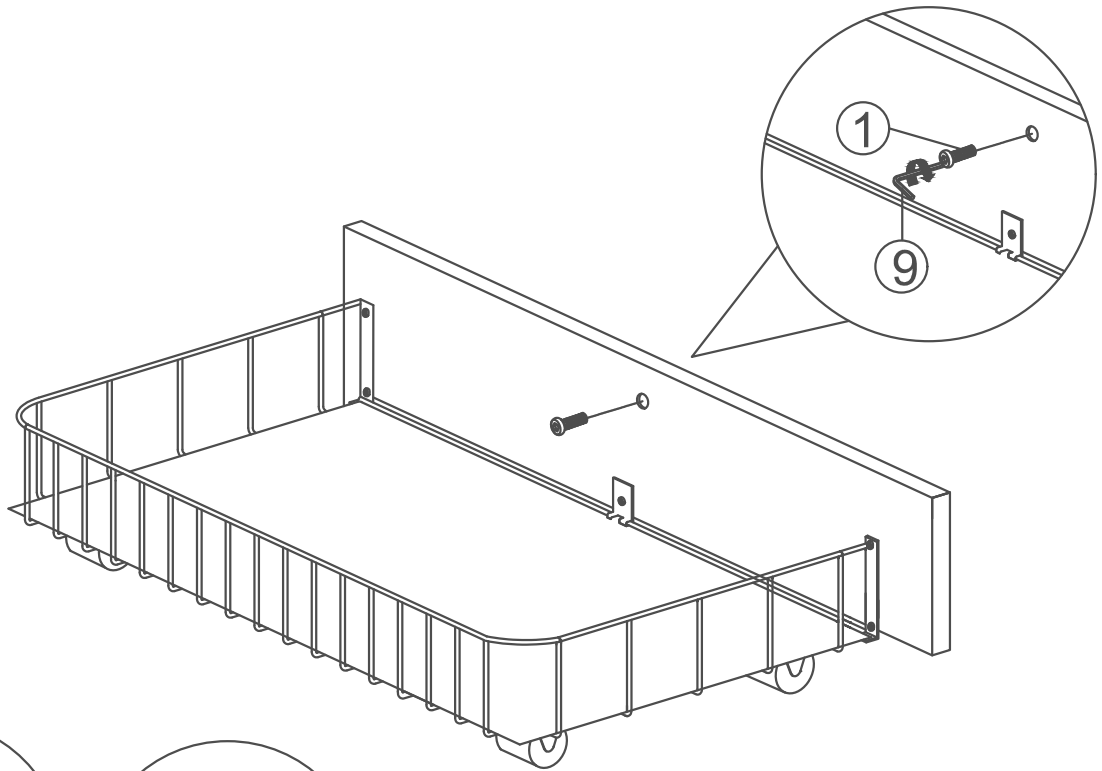




8



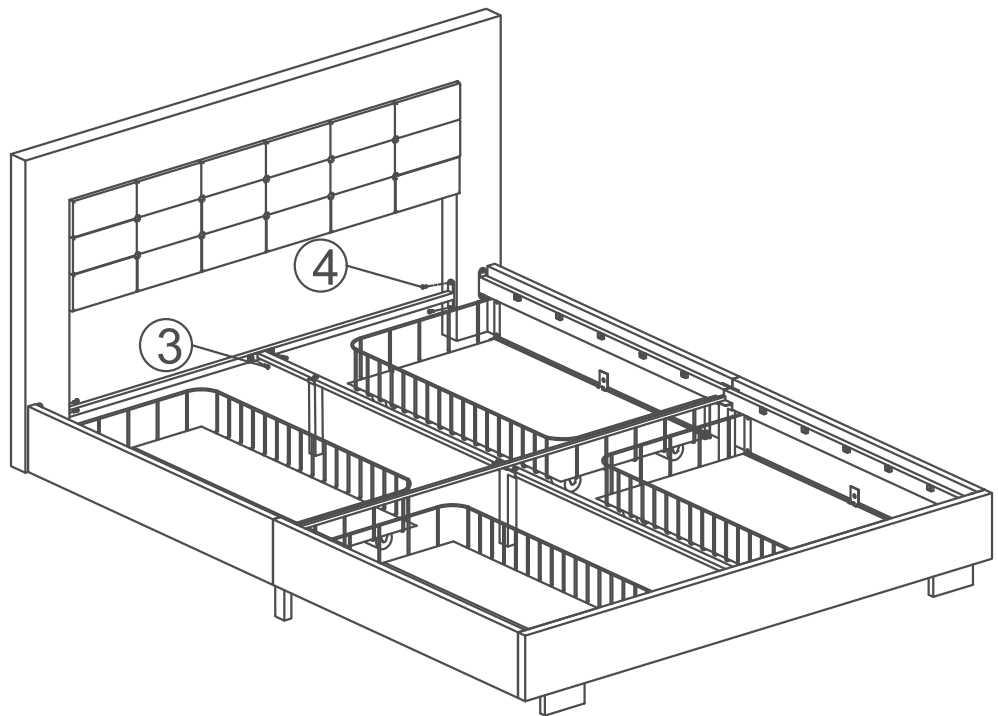
1	Bolt		M6*12	20pcs
9	Allen Key		25*70*M4	1pc


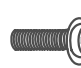

9



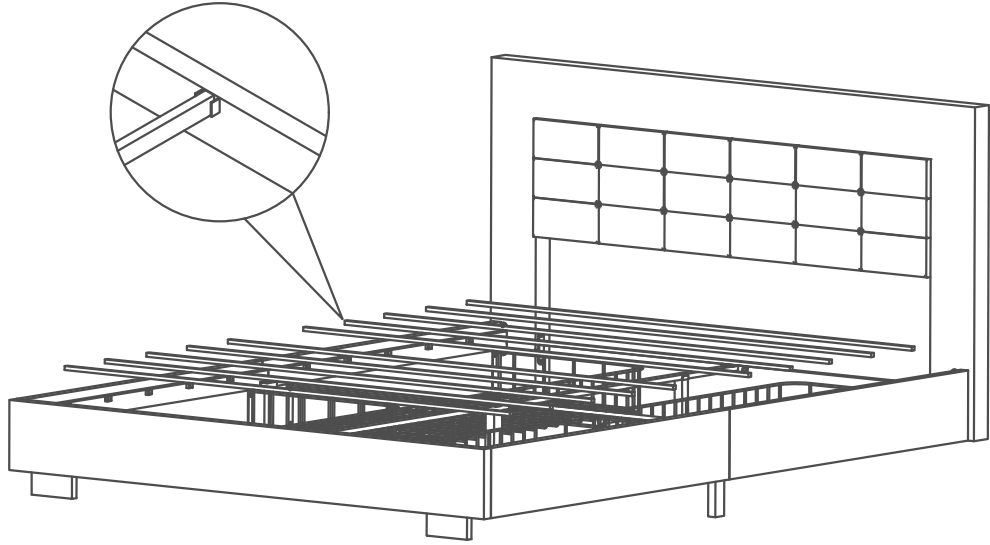
1	Bolt		M6*12	4pcs
9	Allen Key		25*70*M4	1pc

10



3	Bolt		M8*18	2pcs	4	Bolt		M8*25	4pcs
					9	Allen Key		25*70*M4	1pc

11



12

