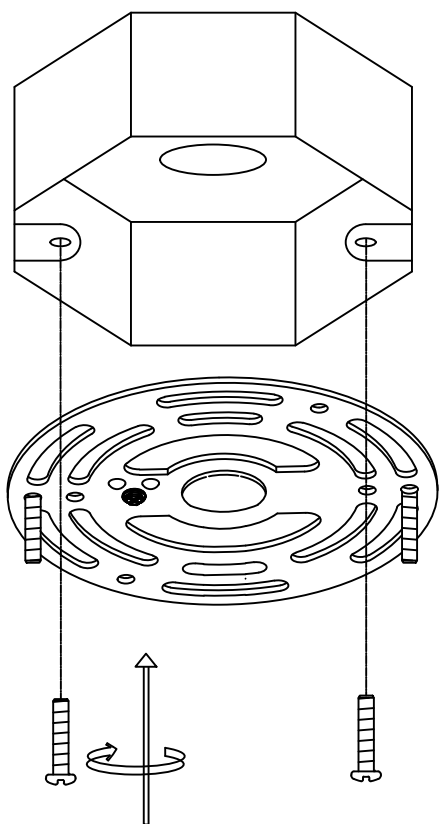


Installation

L016004-D950-P6W L016004-D980-P8W

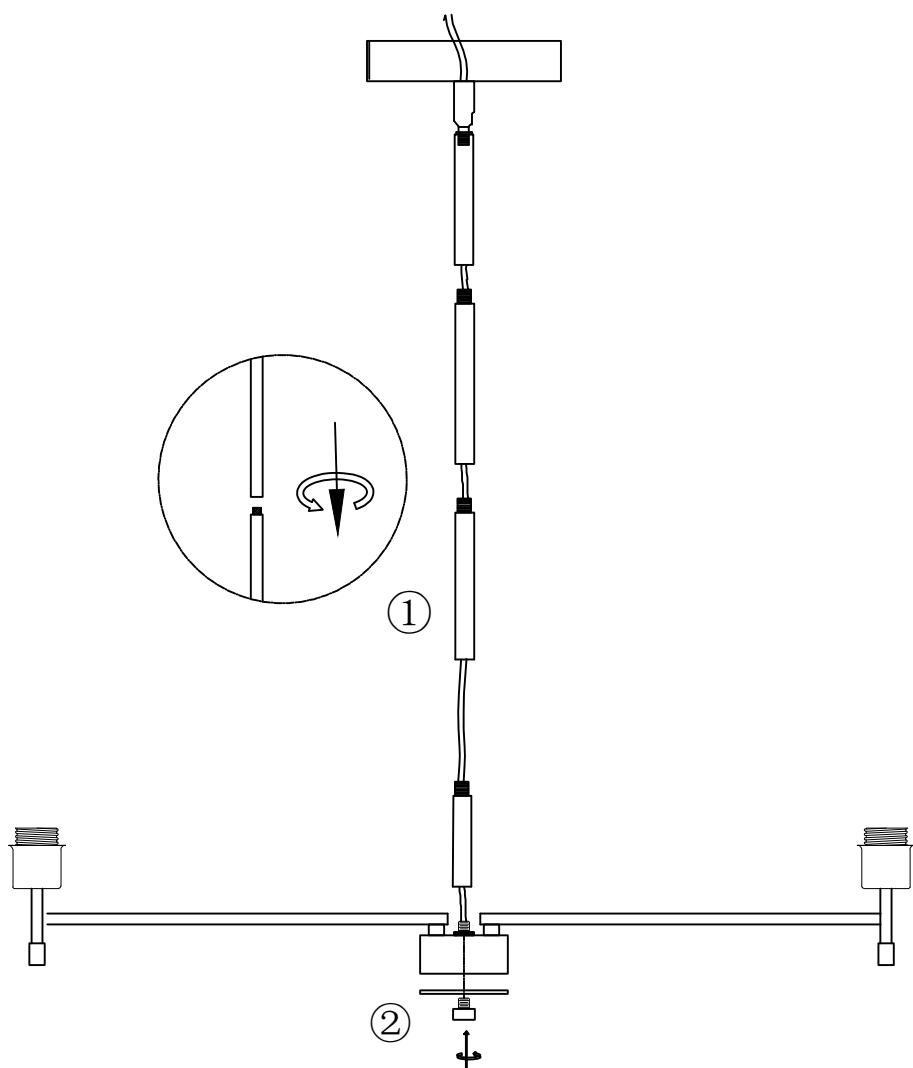
- 1** Install the mounting plate to the outlet box by screws.



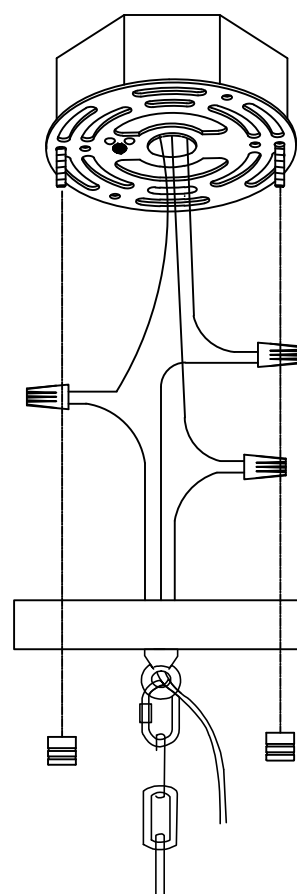
- 2** Fix all lamp arm into the junction box by hexagonal nut and washer.



- 3** ① Combine the rod to suitable length and put the wire through it, then install to the canopy.
② Fix the bottom cover to the drum by bottom screw.



- 4** Connect the wire by connector, and fix the canopy to the bracket by ball nut.



Installation

L016004-D950-P6W L016004-D980-P8W

- 5** Place the shade onto the socket and secure it with the socket ring.
Install the E12 bulb.

