

ELEMENTS™ ALUMINUM RAIL INSTALLATION

PRIOR TO INSTALLING RAILING:

Please consult local zoning laws in regards to load requirements, overall height requirements, and bottom space requirements for rails. All supporting structures must be in accordance with applicable building codes. Neighborhood associations and/or historic districts may regulate size, type, placement and type of railing. Apply for permits if required by local authorities and codes. Ensure compliance prior to installation. Local building code requirements will always supersede any and all suggested procedures and measurements in the following installation. The following installation instructions are intended as a general guideline based on common building practices used in railing installation.

TOOLS REQUIRED

- Power drill
- 1/8-in drill bit (for optional pilot hole pre-drilling)
- 1/4-in drill bit
- Snips or saw (for cutting plastic spacer clips)
- Tape measure
- Plumb bob or level
- Saw for cutting aluminum
- Screwdriver or power drill for T25 Torx screws (bit included)
- Safety glasses
- Wrench or ratchet (for post fasteners)
- Pencil
- Optional urethane caulk for high salt water content areas
- Optional PVC adhesive for baseplate cover
- Hearing protection (for saw)

KIT CONTENTS

- (1) 6-ft Top Rail
- (1) 6-ft Bottom Rail
- (1) Crush Block
- (15) 5/8-in Balusters
- (18) Spacer Clips
- (12) #10 x 3/4-in Torx Screws (bit included)
- (1) Instruction Sheet

TIPS

The most recent installation instructions can be found on our website. Please visit www.fiberondecking.com or call customer service at 800-318-7828.

RAIL INSTALLATION

Step 1: Cut the Top Rail

For rail installation, make sure posts are plumb and loosely tightened. Measure the distance between the posts (for accuracy, take measurement between both posts near the bottom), subtract 5/8-in from total measurement, and cut top rail (Figure 1). There should be a 5/16-in space between each end of the cut rail and the upright post (Figure 2).

NOTE: If posts are 69 1/2-in from end to end, cutting may not be needed.

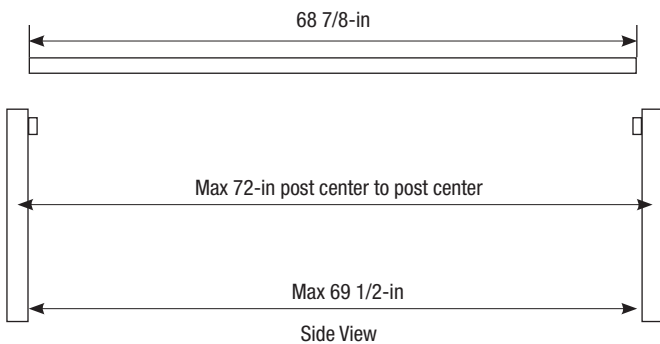


Figure 1

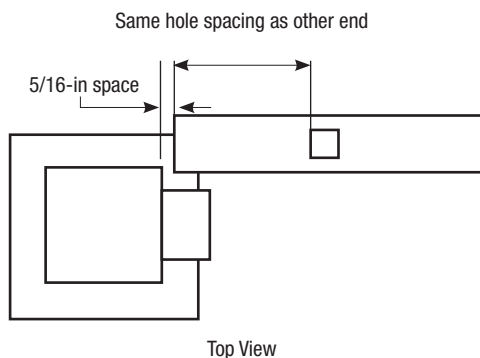


Figure 2

Step 2: Cut the Bottom Rail

Before cutting the bottom rail, center it along the cut top rail to ensure equal hole distance from each side to end of top rail (Figure 2 & 3). Mark the top of the bottom rail at each end in line with the cut top rail. The length of the cut bottom rail will be the same length as the cut top rail.

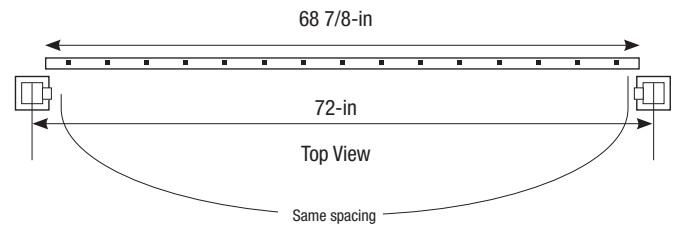


Figure 3

Step 3: Loosen Post Fasteners

Loosen the posts to allow rail and or stair installation, leaving the post fastener heads approximately 1-in above the baseplate. (Figure 4).

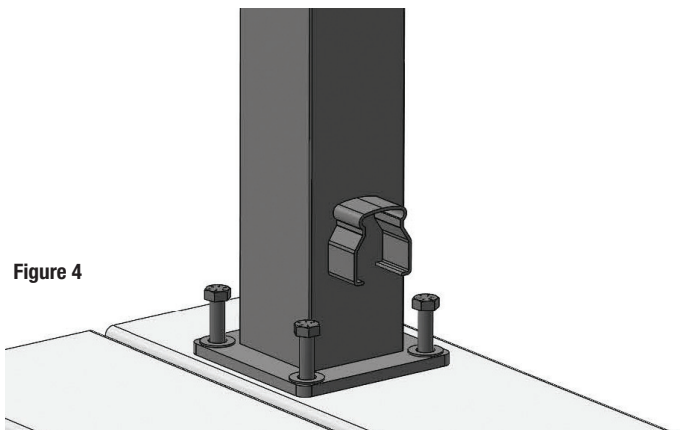


Figure 4

RAIL INSTALLATION (CONTINUED)

Step 4: Fit Rails to Post

Tilt the posts to allow the bottom rail to fit into the bottom post brackets (Figure 5). Repeat for top rail.

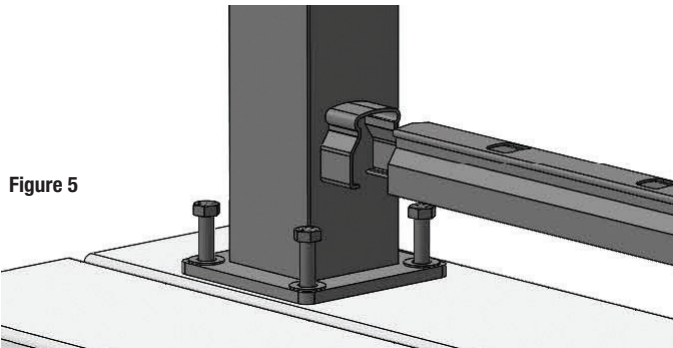


Figure 5

Step 5: Tighten Posts and Fasten Rails

After top and bottom rails are fitted into the post brackets, plumb and tighten the posts.

Using the two pre-drilled holes under the top post bracket, fasten the top rail to the top post bracket with (2) #10 x 3/4-in screws (Figure 6).

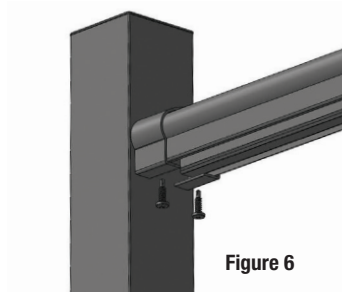


Figure 6

Fasten bottom rail through the middle of the angled sides of the bottom post bracket with (2) #10 x 3/4-in screws (Figure 7).

Optional: Pre-drill the holes with a 1/8-in drill bit.

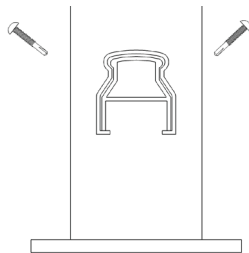


Figure 7

Step 6: Fasten Bottom Rail Crush Block

Position the bottom rail crush block under the center of the bottom rail. Fasten bottom rail crush block to the bottom rail with (1) #10 x 3/4-in screw (Figure 8).

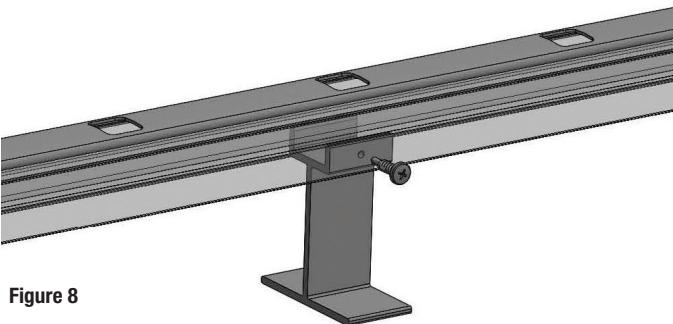


Figure 8

Step 7: Drill Drain Holes in Bottom Rail

Drill three 1/4-in drain holes from open holes in the top of the bottom rail through the underside of the bottom rail (Figure 9).

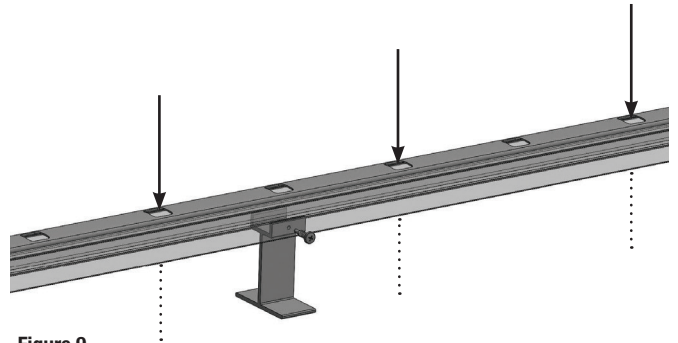


Figure 9

Step 8: Install Rail Balusters

Starting at one end of the rail, install one baluster into the bottom rail so it is plumb with the post. Measure the opening size for the first spacer clip, cut and install into the underside of the top rail (Figure 10). Continue adding a baluster then a spacer clip, working to other end, until 4 holes are left (Figure 11). Insert the final 4 balusters as a group, then spread them out and secure with spacer clips. Measure the last opening, then measure, cut and install the final spacer clip.

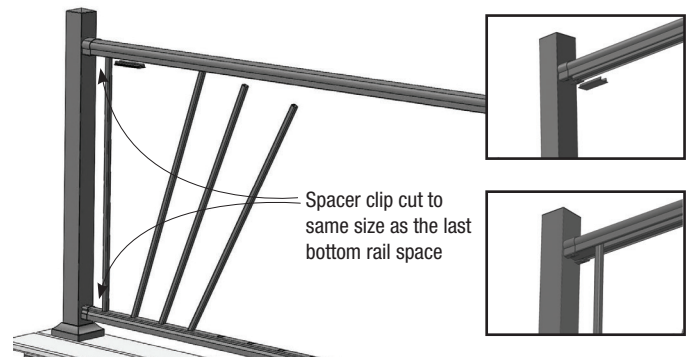


Figure 10

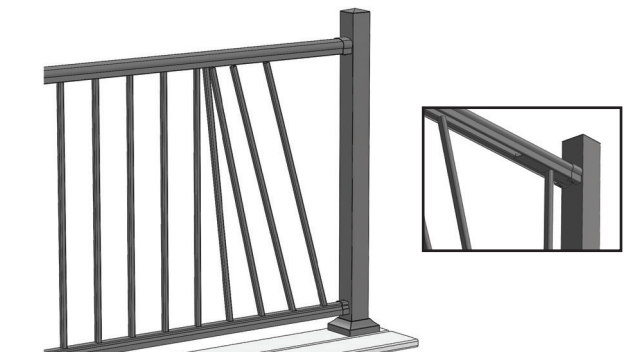


Figure 11

RAIL INSTALLATION (CONTINUED)

Step 9: Attach Post Baseplate Cover

After the top and bottom rails and/or stairs have been installed, position both halves of the baseplate cover on either side of the post above the baseplate and below the bottom rail. Align the locking pins on one half to the matching holes on the other half and slide together. Optional: Apply PVC adhesive to the locking pins prior to sliding halves together for a secure fit (Figure 12).

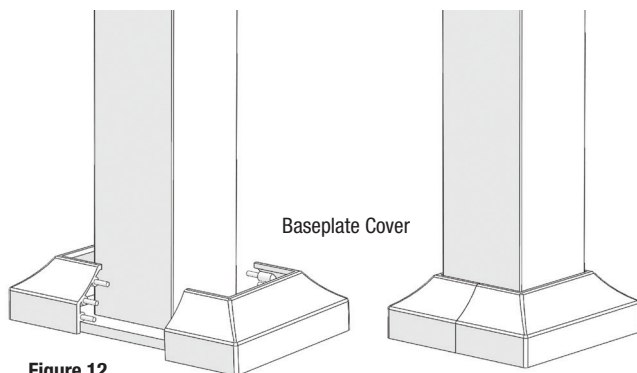


Figure 12

