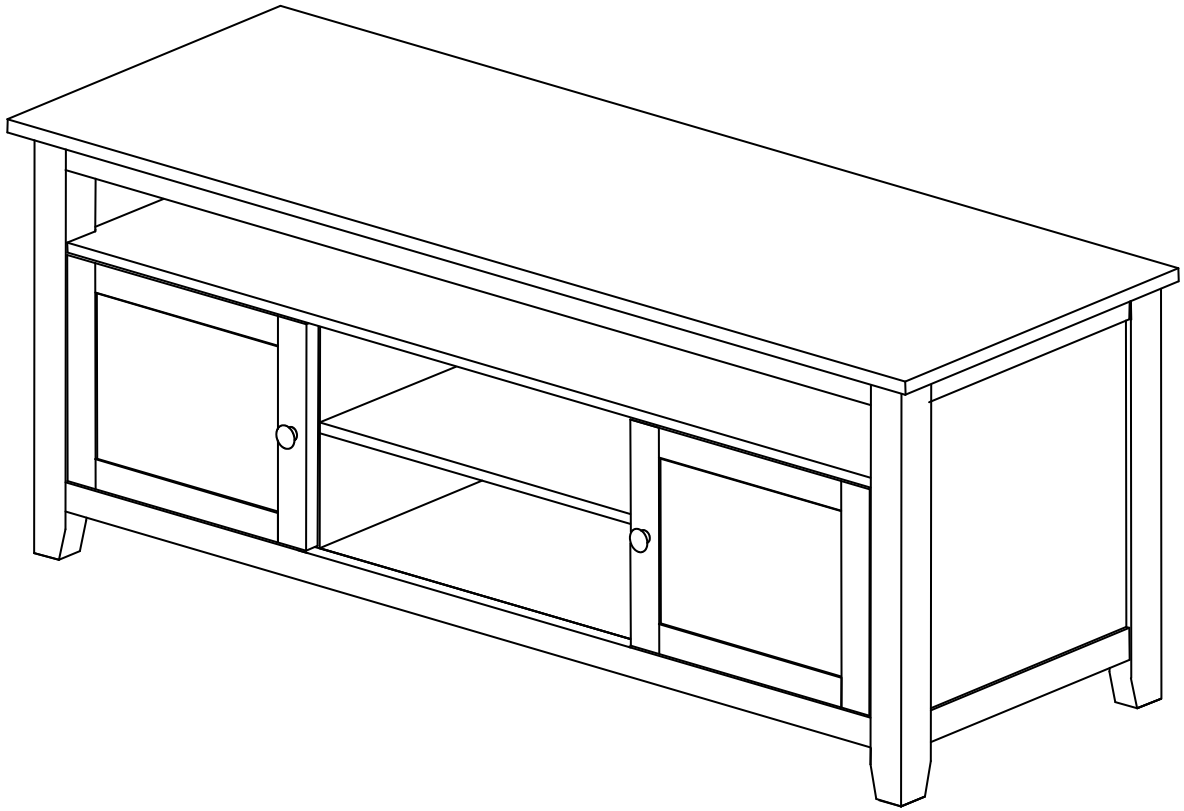


# ASSEMBLY INSTRUCTIONS

---



**WARNING!**

*Serious or fatal injuries can occur from furniture tip over. Use tip over restraint (provided) to secure this product to the wall.*

---

Description	: STURBRIDGE TV CENTER RTA
Item No.	: TV-51

## BEFORE ASSEMBLY

Thank you for purchasing this quality product. This product has been designed for easy assembly and constructed for durability. All parts were checked prior to packaging to insure quality. Prior to beginning assembly, however, make sure all parts and hardware are included and free of obvious defect. If a part is missing or defective, please contact the store where purchased. If hardware is missing, or you need help with assembly, please call toll free 888-944-8396.

### IMPORTANT NOTE:

- Place all wooden parts on a clean and smooth surface such as a rug or carpet to avoid the parts from being scratched.
- Remove all wrapping material, including staples & packing straps before you start to assemble.
- DO NOT tighten all screws and bolts until completely assembled.
- Keep all hardware parts out of reach of children.

### WARNING:

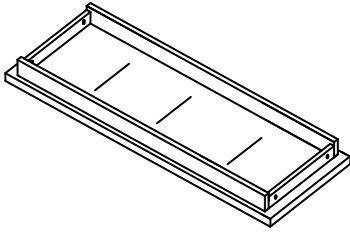
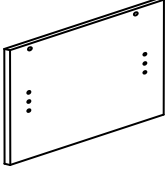
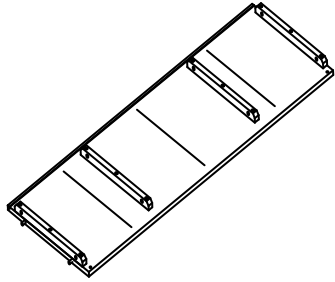
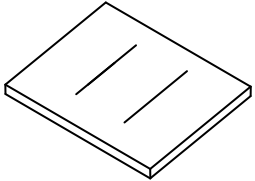
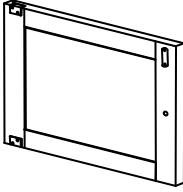
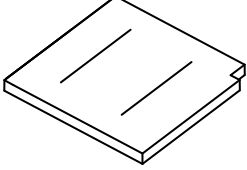
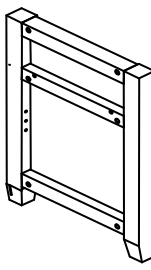
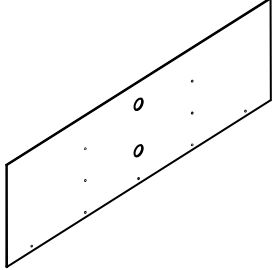
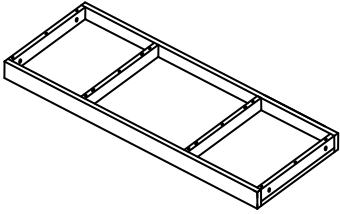
Long exposure to rubber or soft plastic may cause a chemical reaction and damage the finish of your product. Protect the surface of the product with cloth if you are using any product with rubber feet or base.

### ASSEMBLY TOOLS REQUIRED NOT INCLUDED



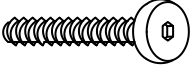
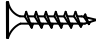

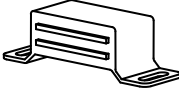



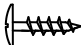

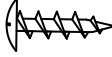
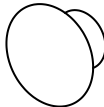
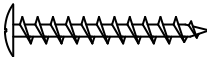
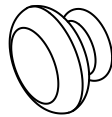
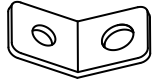
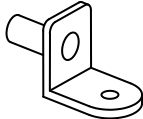
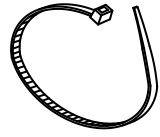
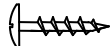
# PART LIST

When unpacking, please be careful not to discard any parts with the packaging. Before continuing, please make sure you have the following parts:

NO	Description	Qty	Sketch	NO	Description	Qty	Sketch
A	Top	1		F	Vertical Panel (L-R)	2	
B	Center Panel	1		G	Center Shelf	1	
C	Door (L-R)	2		H	Side Shelf (L-R)	2	
D	Side Panel (L-R)	2		I	Back Panel	1	
E	Bottom Panel	1					

# HARDWARE LIST

When unpacking, please be careful not to discard any parts with the packaging. Before continuing, please make sure you have all of the following hardware:

NO	Description	Qty	Sketch	NO	Description	Qty	Sketch
1	Long Bolt (M6 x 35mm)	20		9	Short Screw (M3.5 x 15mm)	12	
2	Spring Washer (Φ6.5 x 11mm)	16		10	Magnet	2	
3	Flat Washer (Φ6.5 x 19mm)	16		11	Allen key (M4 x 30mm x 110mm)	1	
4	Door pin (Φ5.2/Φ13 x 1.2mm) (Φ7 x 10mm)	4		12	Short Pan head screw (M3 x 15mm)	4	
5	Medium Pan head screw *Metal knob: (M4x22mm) *Wooden knob: (M4x25mm)	2		13	Short Pan head screw (M4 x 15mm)	2	
6	Wooden Knob (Φ38 x 30mm)	2		14	Long Pan head screw (M4 x 50mm)	2	
	<b>METAL KNOB</b> (Φ30 x 30mm) <b>GOES WITH</b> <b>FINISHED ITEM</b> <b>ONLY.</b>	2		15	Steel Tip Bracket	4	
7	Bracket	12		16	Flat Nylon Tie	2	
8	Short Pan head screw (M3.5 x 15mm)	9					

NOTE: WARNING LABEL (INCLUDED)

## WARNING

**Serious or fatal crushing injuries can occur from furniture tipover. To help prevent tipover:**

- Install tipover restraint provided.
- Place heaviest items in the lower drawers.
- Unless specifically designed to accommodate, do not set TVs or other heavy objects on top of this product.
- Never allow children to climb or hang on drawers, doors or shelves.
- Never open more than one drawer at a time.

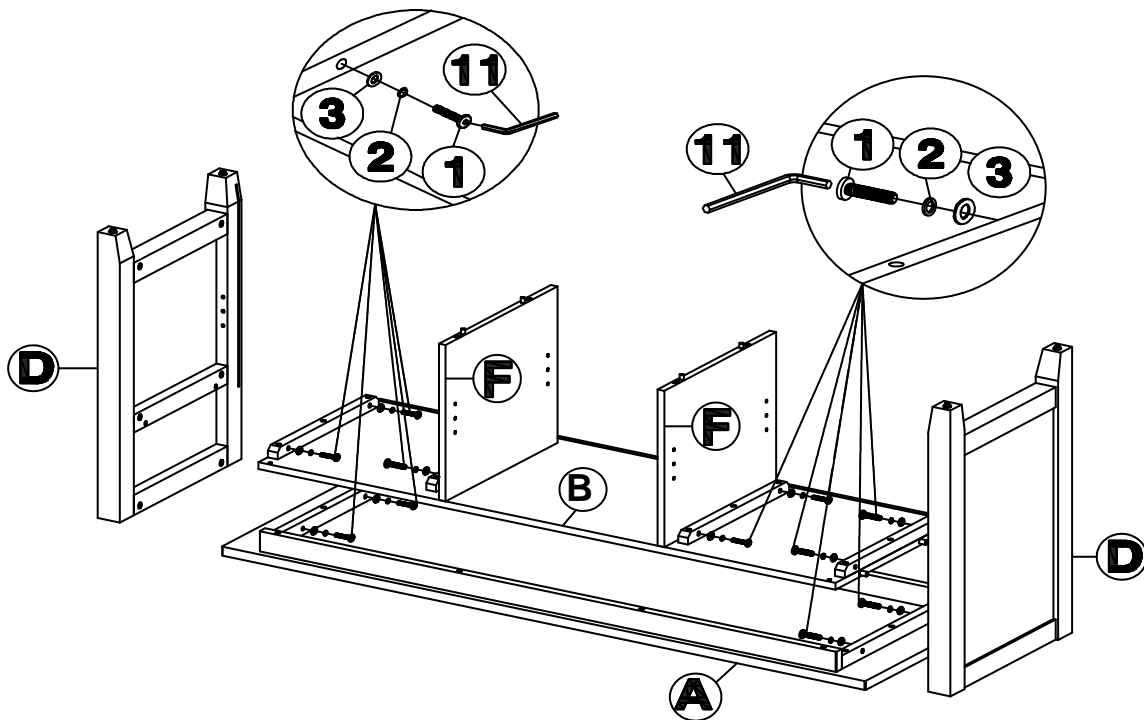
**Use of tipover restraints may only reduce, but not eliminate, the risk of tipover.**

*This is permanent label. Do not remove.*

## STEP 1

Attach side panels (D) to top (A) and center panel (B) with bolts (1) and washers (2) and (3) as shown below. Tighten with Allen key (11).

Attach vertical panels (F) to center panel (B) with bolts (1), and washers (2) and (3) as shown below. Tighten with Allen key (11).



ITEM NO.: TV-51  
REVISED APR 07, 2020

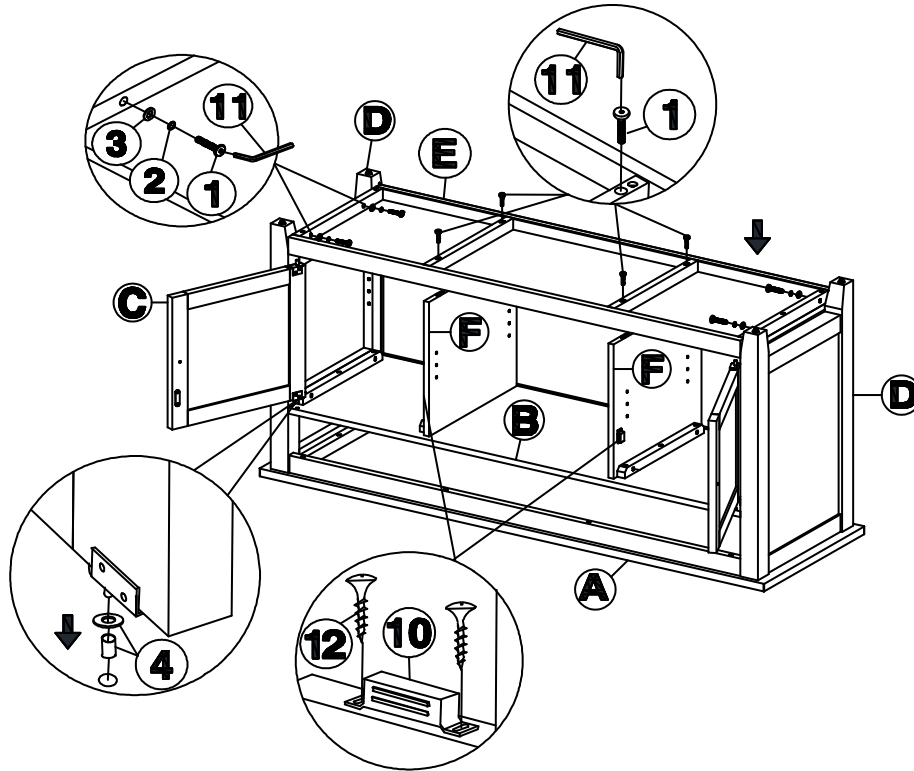
Printed in Vietnam

## STEP 2

Attach doors (C) to center panel (B) and bottom panel (E) with door pins (4).

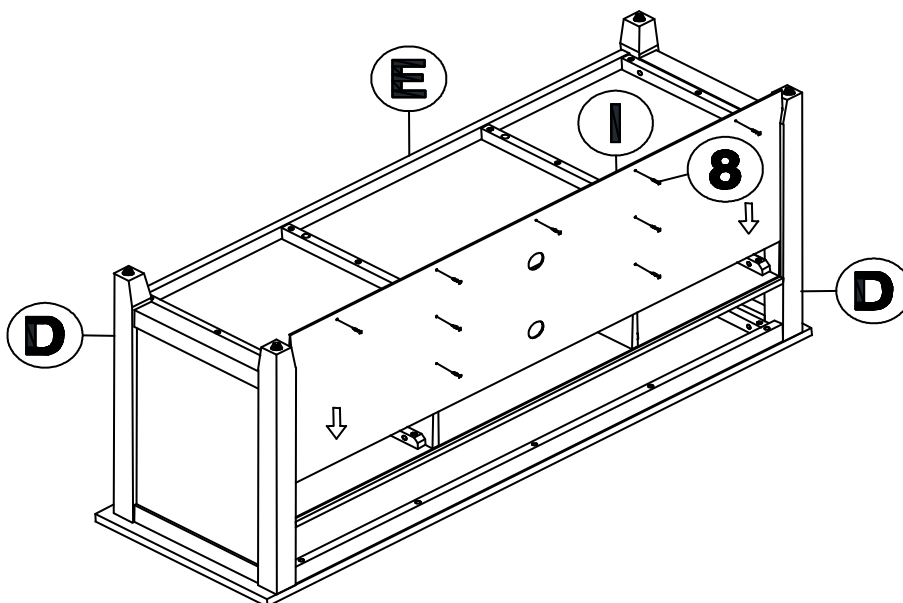
Attach bottom panel (E) to side panels (D) with bolts (1), and washers (2) and (3) and attach bottom panel (E) to vertical panels (F) with bolts (1) as shown below. Tighten with Allen key (11).

Attach magnets (10) to vertical panels (F) with pan head screws (12) as shown below. Tighten with a screwdriver.



## STEP 3

Slide back panel (I) into grooves of the side panels (D) and top (A). Then attach back panel (I) to the unit with pan head screws (8) as shown below. Tighten with a screwdriver.



## STEP 4

Insert brackets (7) to the unit as shown below. Place shelves (G) and (H) on the brackets and attach with screws (9). Tighten with a screwdriver.

Attach knobs (6) to doors (C) with pan head screws (5) as shown below. Tighten with a screwdriver.

Attach brackets (15) to the back of the unit with screws (13) through the smaller holes in the brackets as shown below.

### Important!

Properly attach the other brackets (15) to the wall in an area of **drywall or plaster with a wood stud**: Mark the attachment point(s) with a pencil at the appropriate height **positioned over the wood stud(s) in the wall**.

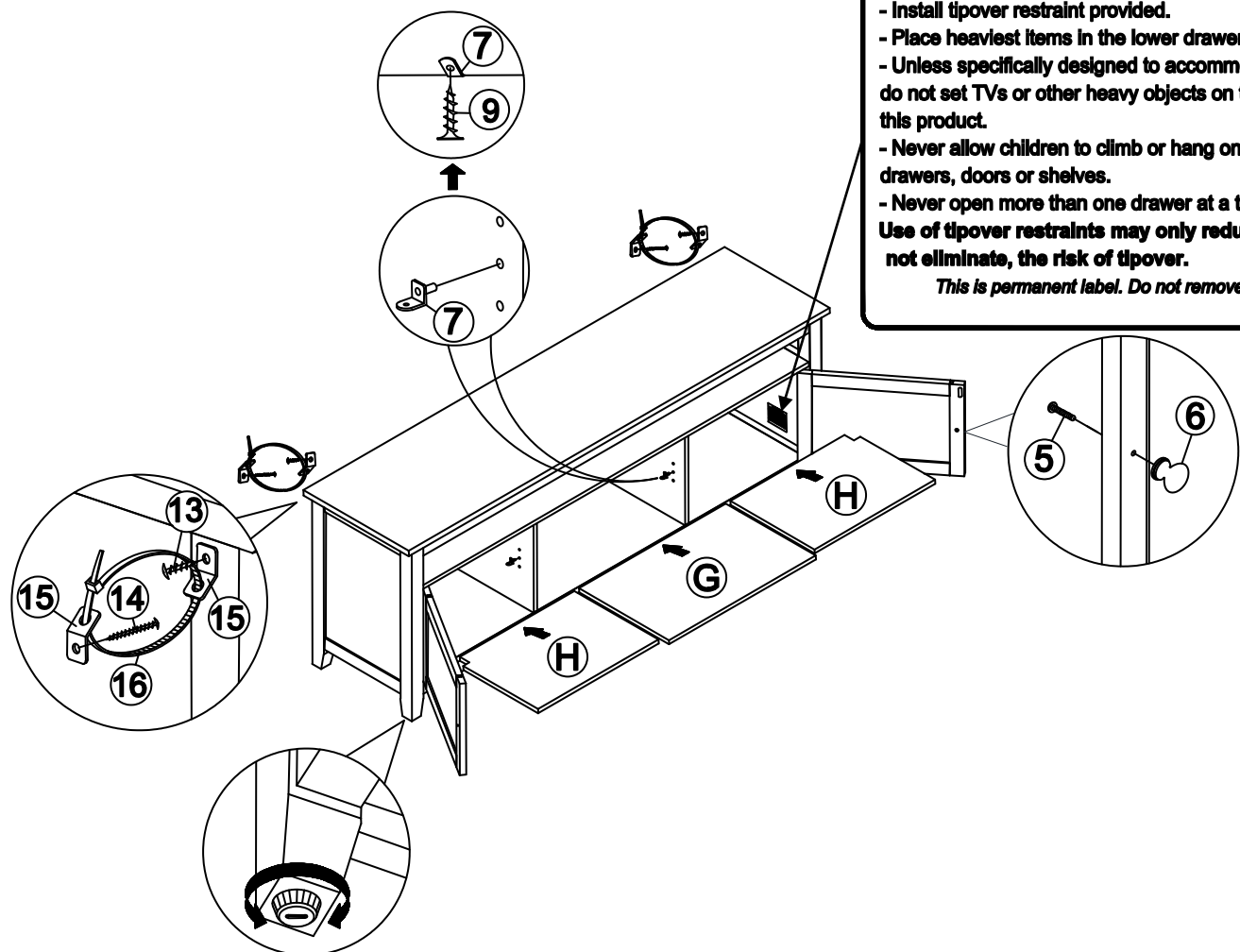
Place the unit into position so both mounting brackets are vertically in line.

Adjust the levelers to the appropriate height to level the unit.

Properly attach the other brackets (15) to the wall stud with screws (14) through the smaller holes as shown below.

Lace the end of flat nylon ties (16) through the larger holes in each mounting bracket. Bring both ends together and slide the flat ends through the locking ends and draw it through until all slack is removed.

**Confirm that the strap is securely laced and locked.**



### ⚠ WARNING

**Serious or fatal crushing injuries can occur from furniture tipover. To help prevent tipover:**

- Install tipover restraint provided.
  - Place heaviest items in the lower drawers.
  - Unless specifically designed to accommodate, do not set TVs or other heavy objects on top of this product.
  - Never allow children to climb or hang on drawers, doors or shelves.
  - Never open more than one drawer at a time.
- Use of tipover restraints may only reduce, but not eliminate, the risk of tipover.**

*This is permanent label. Do not remove.*

ITEM NO.: TV-51

REVISED APR 07, 2020

Printed in Vietnam