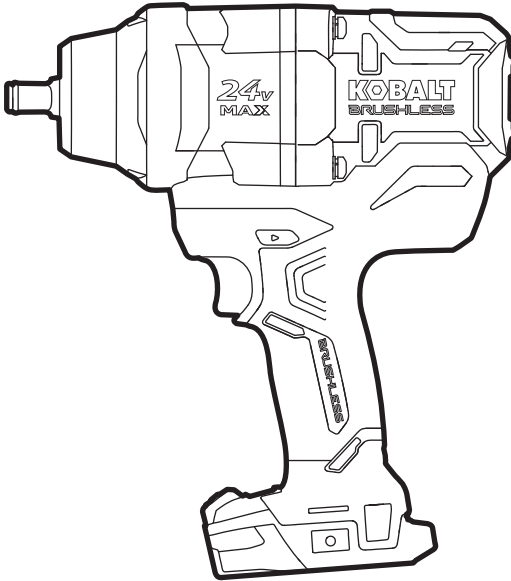


# KOBALT™



ITEM #1518745

## BRUSHLESS IMPACT WRENCH

MODEL #KXIW 124B-03

**Español p. 15**

---

ATTACH YOUR RECEIPT HERE

Serial Number \_\_\_\_\_ Purchase Date \_\_\_\_\_



**Questions, problems, missing parts?** Before returning to your retailer, call our customer service department at 1-888-3KOBALT (1-888-356-2258), 8 a.m. - 8 p.m., EST, Monday - Sunday.

## TABLE OF CONTENTS

---

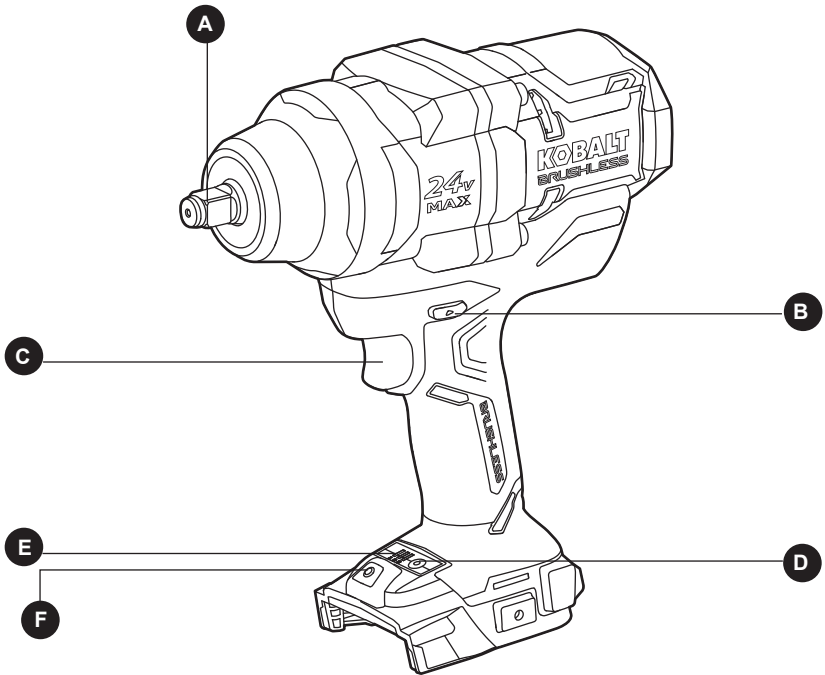
Product Specifications.....	2
Packaging Contents.....	3
Safety Information.....	4
Preparation.....	8
Operating Instructions.....	9
Care and Maintenance.....	12
Troubleshooting.....	12
Warranty.....	13

## PRODUCT SPECIFICATIONS

---

COMPONENT	SPECIFICATION
Rated voltage	24V d.c.
No-load speed	0-900/0-1350/0-1900 /min
Collet size	1/2 in.
Maximum torque	750 ft-lbs
Impact per minute	0-1050/0-1600/0-2100 IPM
Operating temperature	-4°F (-20°C) - 113°F (45°C)
Charging temperature	41°F (5°C) - 104°F (40°C)

## PACKAGE CONTENTS



PART	DESCRIPTION
A	Sleeve
B	Direction-of-rotation selector
C	Variable-speed trigger switch

PART	DESCRIPTION
D	Speed button
E	LED indicator
F	LED work light

### WARNING

- Remove the tool from the package and examine it carefully. Do not discard the carton or any packaging material until all parts have been examined.
- If any part of the tool is missing or damaged, do not attach the battery to use the tool until the part has been repaired or replaced. Failure to heed this warning could result in serious injury.



## SAFETY INFORMATION

---

Please read and understand this entire manual before attempting to assemble or operate this product. If you have any questions regarding the product, please call customer service at 1-888-3KOBALT, 8 a.m. - 8 p.m., EST, Monday - Sunday.



### WARNING

- The operation of any power tool can result in foreign objects being thrown into your eyes, which can result in severe eye damage. Before beginning power-tool operation, always wear safety goggles or safety glasses with side shields and a full-face shield, when needed. We recommend using a wide vision safety mask over eyeglasses or standard safety glasses with shields. Always use eye protection marked to comply with ANSI Z87.1.
- Some dust created by power sanding, sawing, grinding, drilling, and other construction activities contains chemicals known to the state of California to cause cancer, birth defects, or other reproductive harm. Some examples of these chemicals are:
  - Lead from lead-based paints
  - Crystalline silica from bricks, cement, and other masonry products
  - Arsenic and chromium from chemically-treated lumber
- Your risk from these exposures varies, depending upon how often you do this type of work. To reduce your exposure to these chemicals:
  - Work in a well-ventilated area.
  - Work with approved safety equipment, such as dust masks that are specially designed to filter out microscopic particles.
  - Avoid prolonged contact with dust from power sanding, sawing, grinding, drilling, and other construction activities. Wear protective clothing and wash exposed areas with soap and water. Allowing dust to get into your mouth or eyes or to lie on the skin may promote absorption of harmful chemicals.

### Know the Tool

To operate this tool, carefully read this manual and all labels affixed to the tool before using it. Keep this manual available for future reference.




### Important

This tool should be serviced only by a qualified service technician.

## SAFETY INFORMATION

### Read All Instructions Thoroughly

Some of the following symbols may be used on this tool. Please study them and their meaning. Proper interpretation of these symbols will allow you to operate the tool better and more safely.

SYMBOL	DEFINITION	SYMBOL	DEFINITION
V	Volts	$n_0$	No-load Speed
	Direct Current	/min	Revolutions or Strokes per Minute
A	Amps	IPM	Impact per Minute
	A danger, warning, or caution. It means 'Attention! Your safety is involved.'		To reduce the risk of injury, user must read instruction manual.

### General Power Tool Safety Warnings

#### WARNING

- **Read all safety warnings, instructions, illustrations and specifications provided with this power tool.** Failure to follow all instructions listed below may result in electric shock, fire and/or serious injury.

#### Save all warnings and instructions for future reference

The term "power tool" in the warnings refers to your mains-operated (corded) power tool or battery-operated (cordless) power tool.

#### Work Area Safety

- **Keep work area clean and well lit.** Cluttered or dark areas invite accidents.
- **Do not operate power tools in explosive atmospheres, such as in the presence of flammable liquids, gases or dust.** Power tools create sparks, which may ignite the dust or fumes.
- **Keep children and bystanders away while operating a power tool.** Distractions can cause you to lose control.

#### Electrical Safety

- **Power tool plugs must match the outlet. Never modify the plug in any way. Do not use any adaptor plugs with earthed (grounded) power tools.** Unmodified plugs and matching outlets will reduce the risk of electric shock.
- **Avoid body contact with earthed or grounded surfaces such as pipes, radiators, ranges and refrigerators.** There is an increased risk of electric shock if your body is earthed or grounded.
- **Do not expose power tools to rain or wet conditions.** Water entering a power tool will increase the risk of electric shock.



## SAFETY INFORMATION

---

- **Do not abuse the cord. Never use the cord for carrying, pulling or unplugging the power tool. Keep cord away from heat, oil, sharp edges or moving parts.** Damaged or entangled cords increase the risk of electric shock.
- **When operating a power tool outdoors, use an extension cord suitable for outdoor use.** Use of a cord suitable for outdoor use reduces the risk of electric shock.
- **If operating a power tool in a damp location is unavoidable, use a residual current device (RCD) protected supply.** Use of an RCD reduces the risk of electric shock.

### Personal Safety

- **Stay alert, watch what you are doing and use common sense when operating a power tool. Do not use a power tool while you are tired or under the influence of drugs, alcohol or medication.** A moment of inattention while operating power tools may result in serious personal injury.
- **Use personal protective equipment. Always wear eye protection.** Protective equipment such as a dust mask, non-skid safety shoes, hard hat or hearing protection used for appropriate conditions will reduce personal injuries
- **Prevent unintentional starting. Ensure the switch is in the off-position before connecting to power source and/or battery pack, picking up or carrying the tool.** Carrying power tools with your finger on the switch or energizing power tools that have the switch on invites accidents.
- **Remove any adjusting key or wrench before turning the power tool on.** A wrench or a key left attached to a rotating part of the power tool may result in personal injury.
- **Do not overreach. Keep proper footing and balance at all times.** This enables better control of the power tool in unexpected situations.
- **Dress properly. Do not wear loose clothing or jewelry. Keep your hair and clothing away from moving parts.** Loose clothes, jewelry or long hair can be caught in moving parts.
- **If devices are provided for the connection of dust extraction and collection facilities, ensure that these are connected and properly used.** Use of dust collection can reduce dust-related hazards
- **Do not let familiarity gained from frequent use of tools allow you to become complacent and ignore tool safety principles.** A careless action can cause severe injury within a fraction of a second.

### Power tool use and care

- **Do not force the power tool. Use the correct power tool for your application.** The correct power tool will do the job better and safer at the rate for which it was designed.
- **Do not use the power tool if the switch does not turn it on and off.** Any power tool that cannot be controlled with the switch is dangerous and must be repaired.
- **Disconnect the plug from the power source and/or remove the battery pack, if detachable, from the power tool before making any adjustments, changing accessories, or storing power tools.** Such preventive safety measures reduce the risk of starting the power tool accidentally.
- **Store idle power tools out of the reach of children and do not allow persons unfamiliar with the power tool or these instructions to operate the power tool.** Power tools are dangerous in the hands of untrained users.
- **Maintain power tools and accessories. Check for misalignment or binding of moving parts, breakage of parts and any other condition that may affect the power tool's operation. If damaged, have the power tool repaired before use.** Many accidents are caused by poorly maintained power tools.



## SAFETY INFORMATION

- **Keep cutting tools sharp and clean.** Properly maintained cutting tools with sharp cutting edges are less likely to bind and are easier to control.
- **Use the power tool, accessories and tool bits etc. in accordance with these instructions, taking into account the working conditions and the work to be performed.** Use of the power tool for operations different from those intended could result in a hazardous situation.
- **Keep handles and grasping surfaces dry, clean and free from oil and grease.** Slippery handles and grasping surfaces do not allow for safe handling and control of the tool in unexpected situations.

### Battery Tool Use and Care

- **Recharge only with the charger specified by the manufacturer.** A charger that is suitable for one type of battery pack may create a risk of fire when used with another battery pack.
- **Use power tools only with specifically designated battery packs.** Use of any other battery packs may create a risk of injury and fire.

BATTERY PACK	CHARGER
KB 124-03; KB 224-03; KB 424-03; KB 524-03; KB 624-03; KXB 424-03	KRC 2445-03; KRC 2490-03; KRC 2404-03

- **When battery pack is not in use, keep it away from other metal objects, like paper clips, coins, keys, nails, screws or other small metal objects, that can make a connection from one terminal to another.** Shorting the battery terminals together may cause burns or a fire.
- **Under abusive conditions, liquid may be ejected from the battery; avoid contact. If contact accidentally occurs, flush with water. If liquid contacts eyes, additionally seek medical help.** Liquid ejected from the battery may cause irritation or burns
- **Do not use a battery pack or tool that is damaged or modified.** Damaged or modified batteries may exhibit unpredictable behavior resulting in fire, explosion or risk of injury.
- **Do not expose a battery pack or tool to fire or excessive temperature.** Exposure to fire or temperature above 130 °C may cause explosion.
- **Follow all charging instructions and do not charge the battery pack or tool outside the temperature range specified in the instructions.** Charging improperly or at temperatures outside the specified range may damage the battery and increase the risk of fire.

### Service

- **Have your power tool serviced by a qualified repair person using only identical replacement parts.** This will ensure that the safety of the power tool is maintained.
- **Never service damaged battery packs.** Service of battery packs should only be performed by the manufacturer or authorized service providers.

### Specific Safety Warnings for Impact Wrench

- **Hold power tool by insulated gripping surfaces, when performing an operation where the cutting accessory may contact hidden wiring.** Cutting accessory contacting a "live" wire may make exposed metal parts of the power tool "live" and could give the operator an electric shock.
- **Wear ear protectors when impact drilling.** Exposure to noise can cause hearing loss.
- **Secure the workpiece.** A workpiece clamped with clamping devices or in a vice is held more secure than by hand.



## **SAFETY INFORMATION**

---

- **Always wait until the power tool has come to a complete stop before placing it down.**  
The tool insert can jam and lead to loss of control over the power tool.

## **PREPARATION**

---

### **Know Your Impact Wrench**

Before attempting to use the impact wrench, familiarize yourself with all of its operating features and safety requirements.



### **WARNING**

- Do not allow familiarity with the impact wrench to cause carelessness. Remember that one careless moment is enough to cause severe injury. Before attempting to use any tool, be sure to become familiar with all of the operating features and safety instructions.
- Do not attempt to modify this tool or create accessories not recommended for use with this tool. Any such alteration or modification is misuse and could result in a hazardous condition leading to possible serious personal injury.

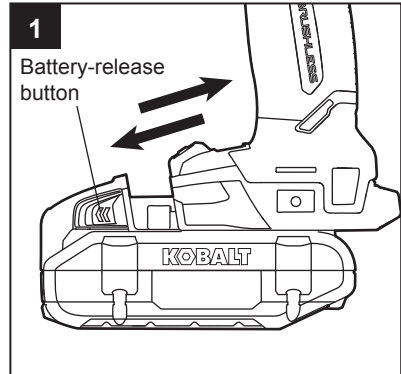


## OPERATING INSTRUCTIONS

### 1. To Attach Battery Pack

- Align the raised portion on the battery pack with the grooves on the bottom of the tool, then slide the battery pack onto the tool, as shown.
- Make sure that the latches on the battery pack snap into place and the battery pack is secured to the tool before beginning operation.

**NOTICE:** When placing the battery pack on the tool, be sure that the raised rib on the battery pack aligns with the groove on the tool and the latches snap into place properly. Improper assembly of the battery pack can cause damage to internal components.



### To Detach Battery Pack

- Press the battery-release buttons to release the battery pack.
- Pull backward on the battery pack to remove it from the tool.

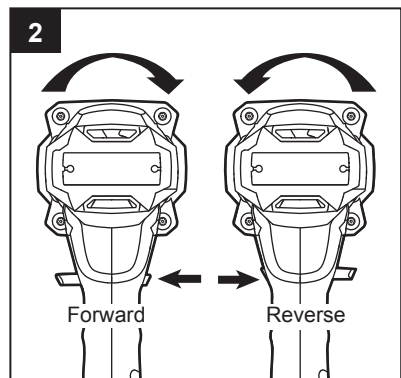
### **⚠** WARNING

- Battery tools are always in operating condition. Therefore, always remove the battery pack when the tool is not in use or when carrying the impact wrench at your side.

### 2. Direction-of-Rotation Selector (Forward/Center Lock/Reverse)

The direction of bit rotation is reversible and is controlled by the direction-of-rotation selector (B) located near the variable-speed trigger switch (C). With the impact wrench held in the normal operating position, pointing away from you:

- Position the direction-of-rotation selector (B) to the left of the tool for forward rotation.
- Position the direction-of-rotation selector to the right of the tool for reverse rotation.
- Setting the selector in the center (lock) position helps reduce the possibility of accidental starting when not in use.



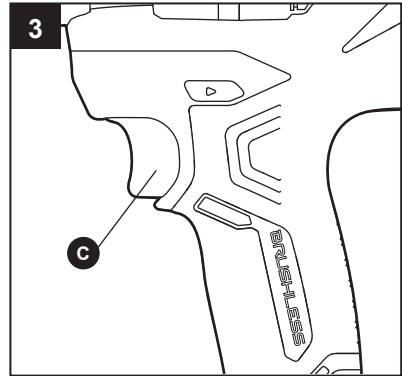
**NOTICE:** To prevent gear damage, always allow the impact wrench to come to a complete stop before changing the direction of rotation.

**NOTICE:** The impact wrench will not run unless the direction-of-rotation selector is engaged fully to the left or right.

## OPERATING INSTRUCTIONS

### 3. Variable-speed Trigger Switch

- To turn the impact wrench ON, depress the variable-speed trigger switch (C).
- To turn it OFF, release the variable-speed trigger switch.
- The variable-speed trigger switch delivers higher speed with increased trigger pressure and lower speed with decreased trigger pressure.



### 4. Speed Selecting

The impact wrench can be adjusted among three speed-range settings.

The tool defaults to the Max. speed mode. When the variable-speed trigger switch is first pressed, the LED indicator (E) will illuminate three green lights to indicate that the tool is in maximum speed and will provide maximum torque.

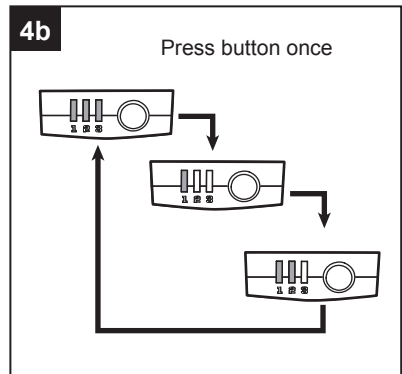
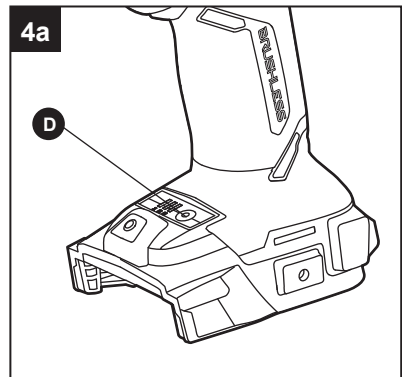
Adjust the speed by successively pressing the speed button (D) one time.

- The impact wrench provides lowest speed and torque. One light illuminates.
- The impact wrench provides medium speed and torque. Two lights illuminate.
- The impact wrench provides maximum speed and torque. Three lights illuminate.

The higher the set speed, the more torque the impact wrench produces to turn an object. The proper setting depends on the job and the type of bit, fastener, and material you will be using.

The LED indicator will turn off after approximately 1 min after the variable-speed trigger switch or speed button is released, and will revert to the previous setting when the tool is turned on again.

**NOTICE:** Do not change the speed setting when the tool is running. The speed range will not change until you release the variable-speed trigger switch.



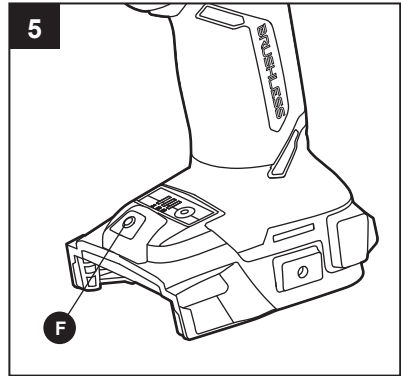
## OPERATING INSTRUCTIONS

### 5. LED Worklight

The LED work light (F), located on the base of the impact wrench, will illuminate when the variable-speed trigger switch is depressed. This provides additional light on the surface of the workpiece for operation in lower-light conditions.

The LED work light will turn off after approximately 10 seconds when the variable-speed trigger switch is released.

- The LED work light will blink rapidly if the tool has stopped working in order to protect internal circuits; please wait for the tool to cool down, at which point it can be started again.
- The LED work light will blink slowly to indicate that the battery charge is very low.

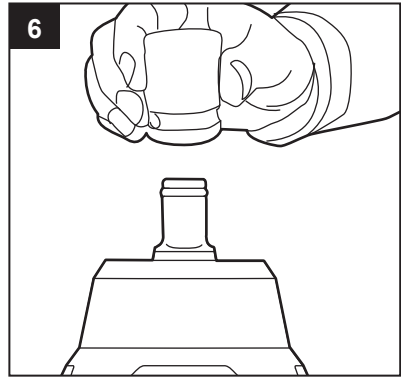


### 6. Installing and Removing Sockets

- Remove the battery pack.
- To install a 1/2 in. socket (not included), simply push it completely onto the square anvil (A).
- To remove the socket, pull it off.

#### **!** WARNING

- Only use sockets designed for impact wrenches. Sockets not designed for impact wrenches could break and result in user injury. Inspect sockets prior to use to ensure that they have no cracks or other visible damage.



### 7. Tighten Fasteners with the Impact Wrench

#### **!** WARNING

- Battery tools are always in operating condition. Therefore, always remove the battery pack when not in use or carrying at your side.

The proper fastening torque may differ depending on the type or size of the bolt, the material of the workpiece to be fastened, etc. Before starting your job, always perform a test operation to determine the proper fastening time for your bolt or nut.

- Check the direction-of-rotation selector (B) for the correct setting (forward or reverse).
- Hold the tool firmly and place the socket over the bolt or nut.
- Depress the variable-speed trigger switch (C) to turn the impact wrench on. The variable-speed trigger switch delivers higher speed with increased trigger pressure and lower speed with decreased trigger pressure.
- Fasten the bolt or nut to the proper torque.
- To turn the impact wrench OFF, release the variable-speed trigger switch.
- After fastening, always check the torque with a torque wrench.

**NOTICE:** Hold the tool straight along the axis of the bolt or nut.

## OPERATING INSTRUCTIONS

---

**NOTICE:** Excessive fastening torque may damage the bolt/nut or socket.

Practice with various fasteners, noting the length of time required to reach the desired torque. Check the tightness with a torque wrench. If the fasteners are too tight, reduce the impacting time. If they are not tight enough, increase the impacting time.

The fastening torque is affected by a wide variety of factors, including the following:

- **Socket:** Failure to use the correct size socket will cause a reduction in the fastening torque. A worn socket (wear on the hex end or square end) will cause a reduction in the fastening torque.
- **Bolt:** Although the torque coefficient and the class of bolt may be the same, the proper fastening torque will differ according to the diameter of the bolt. Although the diameters of bolts may be the same, the proper fastening torque will differ according to the torque coefficient, the class of bolt and the bolt length.
- The use of a universal joint or an extension bar (both sold separately) will reduce the fastening force of the impact wrench somewhat. Compensate by fastening for a longer period of time.
- The manner of holding the tool or the material to be fastened will affect the torque.

### Loosening Fasteners

The torque that is required to loosen a fastener averages 75% to 80% of the tightening torque, depending on the condition of the contacting surfaces. However, if rust or corrosion causes seizing, more torque may be required

## CARE AND MAINTENANCE

---



All maintenance should only be carried out by a qualified service technician.

### Cleaning



Before cleaning or performing any maintenance, remove the battery pack. For safe and proper operation, always keep the tool and its ventilation slots clean.

Always use only a soft, dry cloth to clean your impact wrench; never use detergent or alcohol.

## TROUBLESHOOTING

---



### WARNING

Place the direction-of-rotation selector (B) in the center lock position and remove the battery before performing troubleshooting procedures.

PROBLEM	POSSIBLE CAUSE	CORRECTIVE ACTION
Tool does not work.	Low battery capacity.	Charge the battery pack.
The socket cannot be installed.	Bit does not fit the chuck.	Use a suitable adapter or claimed capacity socket.
Motor overheating	Cooling vents are obstructed	Clean and clear vents. Do not cover vents with hand during operation

## **WARRANTY**

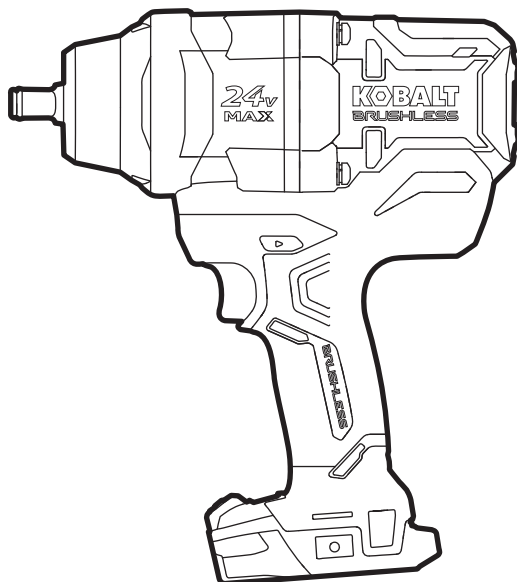
---

For 5 years from the date of purchase, the tool is warranted for the original purchaser to be free from defects in material and workmanship. This guarantee does not cover damage due to abuse, normal wear, improper maintenance, neglect, unauthorized repair/alteration, or expendable parts and accessories expected to become unusable after a reasonable period of use. This warranty is limited to 90 days for commercial and rental use.

If you think your product meets the above guarantee criteria, please return it to the place of purchase with valid proof of purchase and the defective product will be repaired or replaced at no charge. This guarantee gives you specific legal rights, and you may also have other rights that vary from state to state.



# KOBALT™



ARTÍCULO #1518745

## LLAVE DE PERCUSIÓN SIN ESCOBILLAS

MODELO #KXIW 124B-03

---

ADJUNTE SU RECIBO AQUÍ

Número de serie \_\_\_\_\_ Fecha de compra \_\_\_\_\_



**¿Preguntas, problemas, piezas faltantes?** Antes de volver a la tienda, llame a nuestro Departamento de Servicio al Cliente al 1-888-3KOBALT (1-888-356-2258), de lunes a domingo de 8 a. m. a 8 p. m., hora estándar del Este.

## ÍNDICE

---

Especificaciones del producto.....	16
Contenido del paquete.....	17
Información de seguridad.....	18
Preparación.....	22
Instrucciones de funcionamiento.....	23
Cuidado y mantenimiento.....	26
Solución de problemas.....	27
Garantía.....	27

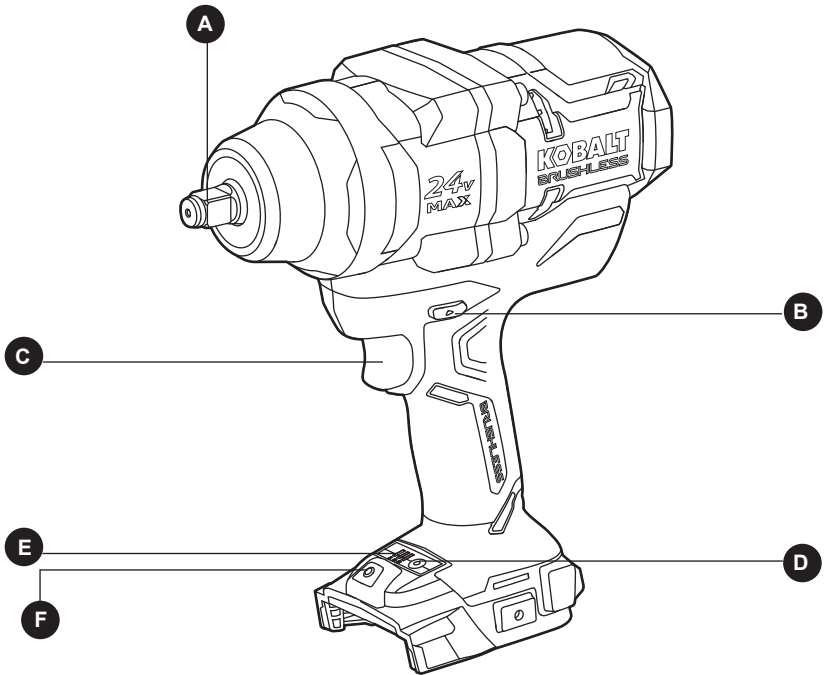
## ESPECIFICACIONES DEL PRODUCTO

---

COMPONENTE	ESPECIFICACIONES
Rango de voltaje	24 V CC
Velocidad sin carga	0-900/0-1350/0-1900 por min.
Tamaño de la boquilla de sujeción	1,27 cm (1/2 pulg.)
Torsión máxima	103,69 kgf-m
Impacto por minuto	0-1050/0-1600/0-2100 IPM
Temperatura de funcionamiento	-20 °C (-4 °F) a 45 °C (113 °F)
Temperatura de carga	5 °C (41 °F) a 40 °C (104 °F)



## CONTENIDO DEL PAQUETE



PIEZA	DESCRIPCIÓN
A	Manguito
B	Selector de dirección de rotación
C	Interruptor tipo gatillo de velocidad variable

PIEZA	DESCRIPCIÓN
D	Botón de velocidad
E	Indicador LED
F	Luz de trabajo LED

### **⚠ ADVERTENCIA**

- Retire la herramienta del paquete y examínela con cuidado. No deseche la caja ni ningún material de embalaje hasta después de examinar todas las piezas.
- Si alguna pieza está dañada o falta, no coloque la batería para usar la herramienta hasta que se repare o reemplace la pieza. El incumplimiento de esta advertencia podría provocar lesiones graves.

## INFORMACIÓN DE SEGURIDAD

---

Lea y comprenda completamente este manual antes de intentar ensamblar u operar este producto. Si tiene preguntas relacionadas con el producto, llame al Departamento de Servicio al Cliente al 1-888-3KOBALT, de lunes a domingo de 8 a. m. a 8 p. m., hora estándar del Este.

### ADVERTENCIA

- Durante el funcionamiento de cualquier herramienta eléctrica, pueden entrar objetos extraños a los ojos y causar graves daños oculares. Use siempre lentes o gafas de seguridad con protecciones laterales y, cuando sea necesario, una mascarilla que cubra todo el rostro antes de comenzar a operar una herramienta eléctrica. Recomendamos usar una máscara de seguridad de visión amplia sobre los lentes o gafas de seguridad con protecciones estándar. Siempre use lentes de protección que cumplan con la norma ANSI Z87.1.
- Las actividades como el lijado, el aserrado, la trituración, el taladrado y otras actividades de construcción producen polvo que contiene sustancias químicas que, según el estado de California, pueden causar cáncer, defectos congénitos u otras afecciones en el aparato reproductivo. Algunos ejemplos de estos productos químicos son los siguientes:
  - Plomo de pinturas con base de plomo
  - Sílice cristalina de ladrillos, cemento y otros productos de mampostería
  - Arsénico y cromo de la madera tratada con químicos
- El riesgo que se corre debido a la exposición a estos productos químicos varía según la frecuencia con la que se realiza este tipo de trabajo. Para reducir la exposición a estos productos químicos, haga lo siguiente:
  - Trabaje en un área bien ventilada.
  - Trabaje con un equipo de seguridad aprobado, como mascarillas antipolvo especialmente diseñadas para filtrar partículas microscópicas.
  - Evite estar en contacto prolongado con el polvo provocado por el lijado, el aserrado, la trituración, el taladrado y otras actividades de construcción. Use ropa protectora y lave todas las áreas expuestas del cuerpo con agua y jabón. Si el polvo ingresa a la boca o a los ojos, o entra en contacto con la piel, se puede provocar la absorción de productos químicos dañinos.

### Conozca la herramienta

Para operar esta herramienta, lea cuidadosamente este manual y las etiquetas adheridas a esta antes de usarla. Guarde este manual para referencia futura.




### Importante

Solo un técnico calificado puede reparar esta herramienta.

## INFORMACIÓN DE SEGURIDAD

### Lea todas las instrucciones con atención

Es posible que algunos de los símbolos siguientes se usen en esta herramienta. Obsérvelos y comprenda su significado. La interpretación correcta de estos símbolos le permitirá utilizar la herramienta de manera más eficaz y segura.

SÍMBOLO	DEFINICIÓN	SÍMBOLO	DEFINICIÓN
V	Voltios	$n_0$	Velocidad sin carga
	Corriente continua	/min	Revoluciones o carreras por minuto
A	Amperios	IPM	Impacto por minuto
	Peligro, advertencia o precaución. Significa "¡Atención! Su seguridad está comprometida".		Para reducir el riesgo de lesiones, el usuario debe leer el manual de instrucciones.

### Advertencias de seguridad generales en el manejo de herramientas eléctricas

#### ADVERTENCIA

- **Lea todas las advertencias de seguridad, las instrucciones, las ilustraciones y las especificaciones que se incluyen con esta herramienta eléctrica.** No cumplir con todas las instrucciones que se detallan a continuación podría provocar descargas eléctricas, incendios o lesiones graves.

#### Guarde todas las advertencias e instrucciones para referencia futura.

El término "herramienta eléctrica" que aparece en las advertencias hace referencia a la herramienta eléctrica que se conecta a la línea principal (con cable) o a la herramienta eléctrica que funciona a batería (inalámbrica).

### Seguridad en el área de trabajo

- **Mantenga el área de trabajo limpia y bien iluminada.** Las áreas oscuras o desordenadas propician los accidentes.
- **No utilice herramientas eléctricas en atmósferas donde exista riesgo de explosión; como por ejemplo, en presencia de líquidos, gases o polvo inflamables.** Las herramientas eléctricas producen chispas que podrían encender el polvo o los gases.
- **Mantenga a los niños y otras personas alejadas durante la operación de una herramienta eléctrica.** Las distracciones pueden hacerle perder el control.

### Seguridad eléctrica

- **Los enchufes de las herramientas eléctricas deben coincidir con el tomacorriente. No modifique el enchufe de ninguna manera. No utilice ningún enchufe adaptador con herramientas eléctricas con puesta a tierra.** Los enchufes sin modificaciones y que coinciden con los tomacorrientes reducen el riesgo de descarga eléctrica.
- **Evite el contacto del cuerpo con superficies conectadas a tierra, como tuberías, radiadores, extractores o refrigeradores.** El riesgo de descarga eléctrica se incrementa si el cuerpo tiene conexión a tierra.

## INFORMACIÓN DE SEGURIDAD

---

- **No exponga las herramientas eléctricas a la lluvia o a condiciones de humedad.** Si ingresa agua en una herramienta eléctrica, aumentará el riesgo de descarga eléctrica.
- **No maltrate el cable. Nunca lo use para transportar, jalar ni desenchufar la herramienta eléctrica. Manténgalo alejado del calor, el aceite, los bordes filosos o las piezas en movimiento.** Los cables dañados o enredados aumentan el riesgo de descarga eléctrica.
- **Si utiliza una herramienta eléctrica en exteriores, use una extensión eléctrica que sea adecuada para el uso en exteriores.** Usar un cable apto para exteriores reduce el riesgo de sufrir una descarga eléctrica.
- **Si es inevitable utilizar una herramienta eléctrica en un lugar húmedo, use un suministro protegido con un interruptor diferencial residual (RCD, por sus siglas en inglés).** Usar un RCD disminuye el riesgo de sufrir una descarga eléctrica.

### Seguridad personal

- **Manténgase alerta, preste atención a lo que hace y use el sentido común cuando utilice una herramienta eléctrica. No utilice una herramienta eléctrica si está cansado o bajo los efectos de drogas, alcohol o medicamentos.** Un momento de desatención mientras opera herramientas eléctricas puede provocar lesiones personales graves.
- **Use un equipo de protección personal. Use siempre lentes de protección.** Los equipos de protección, como mascarillas antipolvo, zapatos de seguridad antideslizantes, cascos protectores o auriculares de seguridad, que se usan para condiciones adecuadas, disminuyen el riesgo de lesiones personales.
- **Evite un arranque accidental. Asegúrese de que el interruptor esté en la posición de apagado antes de conectar la herramienta a la fuente de alimentación o al paquete de baterías, o antes de levantarla o transportarla.** Si transporta la herramienta eléctrica con el dedo en el interruptor o si la enchufa mientras el interruptor está en la posición de encendido, se pueden ocasionar accidentes.
- **Retire todas las llaves de ajuste o llaves inglesas antes de encender la herramienta eléctrica.** Si se deja una llave inglesa u otra llave conectada a una pieza giratoria de la herramienta eléctrica, se podrían producir lesiones personales.
- **No se incline demasiado. Mantenga una postura y un equilibrio adecuados en todo momento.** Esto permite un mejor control de la herramienta eléctrica en situaciones inesperadas.
- **Use ropa adecuada. No use ropa holgada ni joyas. Mantenga el cabello y la ropa alejados de las piezas en movimiento.** La ropa holgada, las joyas o el cabello largo pueden quedar atrapados en las piezas en movimiento.
- **Si se proporcionan dispositivos para la conexión de equipos de extracción y recolección de polvo, asegúrese de que se conecten y se usen debidamente.** La recolección de polvo puede disminuir los peligros relacionados con el polvo.
- **No permita que la familiaridad por el uso frecuente de las herramientas ocasione el olvido de los principios de seguridad de las herramientas.** Un descuido puede ocasionar una lesión grave en una fracción de segundo.

### Uso y cuidado de la herramienta eléctrica

- **No fuerce la herramienta eléctrica. Use la herramienta eléctrica adecuada para la tarea.** La herramienta eléctrica adecuada realizará un trabajo más seguro y de mejor calidad al ritmo para el que se diseñó.
- **No utilice la herramienta eléctrica si el interruptor no la enciende o apaga.** Cualquier herramienta eléctrica que no se pueda controlar con el interruptor es peligrosa y se debe reparar.

## INFORMACIÓN DE SEGURIDAD

- **Desconecte el enchufe de la fuente de alimentación o retire el paquete de baterías de la herramienta eléctrica, si es posible, antes de realizar cualquier ajuste, cambiar accesorios o almacenarla.** Este tipo de medidas de seguridad preventivas reduce el riesgo de que la herramienta eléctrica arranque accidentalmente.
  - **Guarde las herramientas eléctricas que no están en uso fuera del alcance de los niños y no permita que otras personas que no saben cómo usarlas o no conocen estas instrucciones las operen.** Las herramientas eléctricas son peligrosas en manos de usuarios que no saben cómo usarlas.
  - **Realice el mantenimiento de las herramientas eléctricas y de los accesorios. Revise si hay piezas móviles desalineadas o trabadas, si hay piezas rotas y cualquier otra condición que pueda afectar el funcionamiento de la herramienta eléctrica. Si la herramienta eléctrica está dañada, hágala reparar antes de usarla.** Muchos accidentes se producen a causa del mantenimiento incorrecto de las herramientas eléctricas.
  - **Mantenga las herramientas de corte afiladas y limpias.** Si se realiza el mantenimiento adecuado de las herramientas de corte y se mantienen los bordes de corte afilados, es menos probable que se traben y es más fácil controlarlas.
  - **Use la herramienta eléctrica, los accesorios, las brocas, etc., de acuerdo con estas instrucciones y tenga en cuenta las condiciones de trabajo y la tarea que desea realizar.** Si la herramienta eléctrica se utiliza en operaciones para las que no se diseñó, se podrían ocasionar situaciones de peligro.
  - **Mantenga los mangos y las superficies de agarre secas, limpias y libres de aceite y grasa.** Los mangos y las superficies de agarre resbaladizos no permiten manipular ni controlar la herramienta de forma segura en situaciones inesperadas.
- Uso y cuidado de herramientas a batería

- **Recargue la herramienta únicamente con el cargador especificado por el fabricante.** Un cargador adecuado para un tipo de paquete de baterías puede causar un riesgo de incendio si se usa con otro paquete de baterías.
- **Use herramientas eléctricas solo con paquetes de baterías designados específicamente.** El uso de cualquier otro paquete de baterías puede ocasionar riesgos de lesiones e incendio.

PAQUETE DE BATERÍAS	CARGADOR
KB 124-03; KB 224-03; KB 424-03; KB 524-03; KB 624-03; KXB 424-03	KRC 2445-03; KRC 2490-03; KRC 2404-03

- **Cuando no utilice el paquete de baterías, manténgalo lejos de otros objetos metálicos, como sujetapapeles, monedas, llaves, clavos, tornillos u otros objetos pequeños que pudieran crear una conexión entre los terminales.** Si se conectan los terminales de la batería entre sí, puede que se produzcan quemaduras o un incendio.
- **En condiciones de maltrato, es posible que salga líquido de la batería; evite el contacto. Si se produce un contacto accidental, enjuáguese con agua. Si el líquido entra en contacto con los ojos, solicite atención médica.** El líquido que sale de la batería puede provocar irritación o quemaduras.
- **No utilice un paquete de baterías o una herramienta que presente daños o modificaciones.** Las baterías dañadas o modificadas pueden mostrar una conducta impredecible que podría provocar incendios, explosiones o riesgo de lesiones.
- **No exponga el paquete de baterías ni la herramienta al fuego o a una temperatura excesiva.** La exposición al fuego o a temperaturas por encima de los 130 °C puede causar explosión.

## INFORMACIÓN DE SEGURIDAD

---

- **Siga todas las instrucciones de carga y no cargue el paquete de baterías ni las herramientas fuera del rango de temperatura especificado en las instrucciones.** Si se realiza una carga inadecuada o a temperaturas fuera del rango especificado, se podría dañar la batería y aumentar el riesgo de incendio.

### Reparación

- **Permita que solo personas capacitadas reparen la herramienta eléctrica y que utilicen únicamente piezas de repuesto idénticas.** De esta forma, se asegurará de mantener la seguridad de la herramienta eléctrica.
- **Nunca realice el mantenimiento de los paquetes de batería.** Solo el fabricante o los proveedores de servicio autorizados pueden realizar este tipo de mantenimiento.

### Advertencias específicas de seguridad para la llave de percusión

- **Sostenga la herramienta eléctrica por las superficies de agarre aisladas al realizar una operación en la que el accesorio de corte pueda entrar en contacto con cableado oculto.** La herramienta de corte que entra en contacto con un cable "energizado" puede "energizar" las piezas de metal expuestas de la herramienta eléctrica y provocar una descarga eléctrica al operador.
- **Utilice protectores para los oídos cuando realice una perforación de impacto.** La exposición al ruido puede causar la pérdida de la audición.
- **Asegure la pieza de trabajo.** Las piezas de trabajo pueden sostenerse de forma más segura con dispositivos de sujeción que con las manos.
- **Siempre espere hasta que la herramienta eléctrica se detenga completamente antes de colocarla hacia abajo.** El accesorio de la herramienta se puede atascar y provocar que pierda el control de la herramienta eléctrica.

## PREPARACIÓN

---

### Conozca la llave de percusión

Antes de intentar utilizar esta llave de percusión, familiarícese con todas las funciones de operación y los requisitos de seguridad.

### ADVERTENCIA

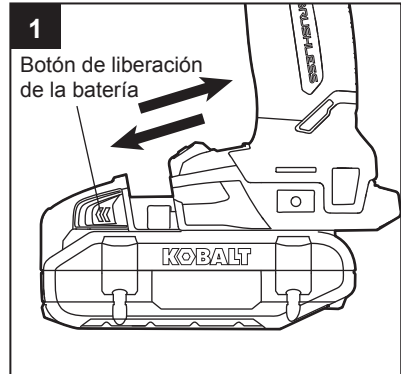
- No permita que la familiaridad con la llave de percusión lo vuelva descuidado. Recuerde que un momento de descuido es suficiente para causar lesiones graves. Antes de intentar utilizar cualquier herramienta, asegúrese de familiarizarse con todas las características de funcionamiento e instrucciones de seguridad.
- No intente modificar la herramienta ni crear accesorios que no sean los recomendados para su uso. Se considera que cualquier alteración o modificación es un mal uso, el cual podría causar una condición peligrosa y ocasionar lesiones personales graves.

## INSTRUCCIONES DE FUNCIONAMIENTO

### 1. Cómo colocar el paquete de baterías

- Alinee la parte elevada del paquete de baterías con las ranuras de la parte inferior de la herramienta y luego deslice el paquete de baterías en la herramienta, como se muestra.
- Asegúrese de que los pestillos del paquete de baterías encajen en su lugar y que el paquete de baterías quede fijo en la herramienta antes de comenzar la operación.

**AVISO:** cuando coloque el paquete de baterías en la herramienta, asegúrese de que la varilla elevada del paquete de baterías quede alineada con la ranura de la herramienta y de que los pestillos encajen en su lugar adecuadamente. El ensamblaje inadecuado del paquete de baterías puede provocar daños a los componentes internos.



### Cómo retirar el paquete de baterías

- Presione los botones de liberación de la batería para liberar el paquete de baterías.
- Jale el paquete de baterías hacia atrás para retirarlo de la herramienta.

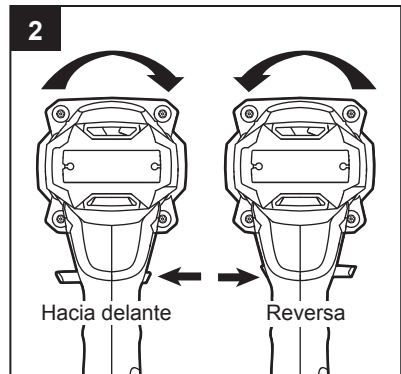
### ⚠ ADVERTENCIA

- Las herramientas a batería siempre están en condiciones de operación. Por lo tanto, siempre retire el paquete de baterías de la llave de percusión cuando no la use o cuando la transporte junto a usted.

### 2. Selector de dirección de rotación (hacia delante/fijación central/reversa)

La dirección de rotación de la broca es reversible y se controla mediante el selector de dirección de rotación (B) que está ubicado cerca del interruptor tipo gatillo de velocidad variable (C). Sostenga la llave de percusión en la posición de operación normal, apuntando lejos de usted:

- Coloque el selector de dirección de rotación (B) a la izquierda de la herramienta para que gire hacia delante.
- Coloque el selector de dirección de rotación a la derecha de la herramienta para que gire en reversa.
- Coloque el selector en la posición central (bloqueada) para reducir la posibilidad de que la herramienta arranque accidentalmente cuando no esté en uso.



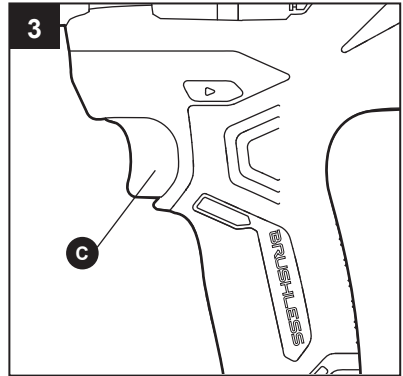
**AVISO:** para evitar el daño en el engranaje, siempre espere a que la llave de percusión se detenga completamente antes de cambiar la dirección de la rotación.

**AVISO:** la llave de percusión no funcionará a menos que el selector de dirección de rotación esté completamente posicionado a la izquierda o la derecha.

## INSTRUCCIONES DE FUNCIONAMIENTO

### 3. Interruptor tipo gatillo de velocidad variable

- Para ENCENDER la llave de percusión, presione el interruptor tipo gatillo de velocidad variable (C).
- Para APAGAR la llave de percusión, suelte el interruptor tipo gatillo de velocidad variable.
- El interruptor tipo gatillo de velocidad variable proporciona mayor velocidad cuando se ejerce más presión en el gatillo y menor velocidad cuando se ejerce menos presión.



### 4. Selección de velocidad

La llave de percusión se puede configurar en tres rangos de velocidad.

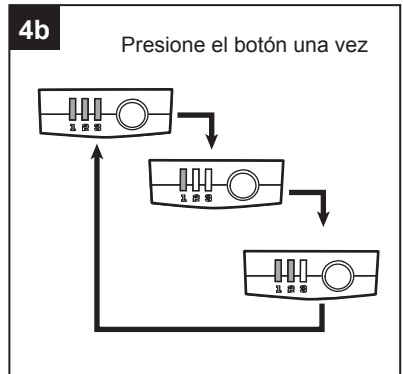
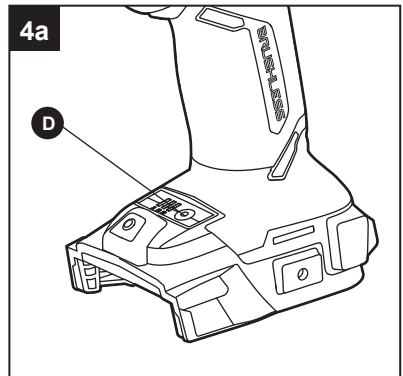
La herramienta está configurada por defecto en el modo de máxima velocidad. Cuando se presione el interruptor tipo gatillo de velocidad variable por primera vez, el indicador LED (E) se iluminará con tres luces verdes para indicar que la herramienta está a máxima velocidad y que proporcionará una torsión máxima.

Para ajustar la velocidad, presione el botón de velocidad (D) de una vez de manera repetida.

- Si la llave de percusión se configura a una velocidad y fuerza de torsión mínimas, se encenderá una luz.
- Si la llave de percusión se configura a una velocidad y fuerza de torsión medias, se encenderán dos luces.
- Si la llave de percusión se configura a una velocidad y fuerza de torsión máximas, se encenderán tres luces.

Cuanto más alta sea la velocidad, mayor será la fuerza de torsión que producirá la llave de percusión para girar un objeto. La configuración adecuada dependerá del trabajo, el tipo de broca, el sujetador y el material que se utilice.

El indicador LED se apagará aproximadamente un minuto después de que se suelte el interruptor tipo gatillo de velocidad variable o botón de velocidad y volverá a la configuración previa cuando la herramienta se vuelva a encender.



**AVISO:** no cambie la configuración de velocidad cuando la herramienta esté en funcionamiento. El rango de velocidades no cambiará hasta que se suelte el interruptor tipo gatillo de velocidad variable.



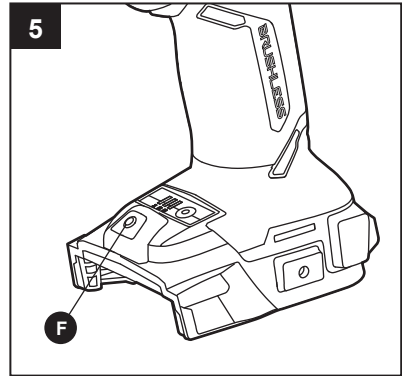
## INSTRUCCIONES DE FUNCIONAMIENTO

### 5. Luz de trabajo LED

La luz de trabajo LED (F), ubicada en la base de la llave de percusión, se iluminará cuando se presione el interruptor tipo gatillo de velocidad variable. Esto brindará más iluminación en la superficie de la pieza de trabajo cuando se use la herramienta en condiciones de poca iluminación.

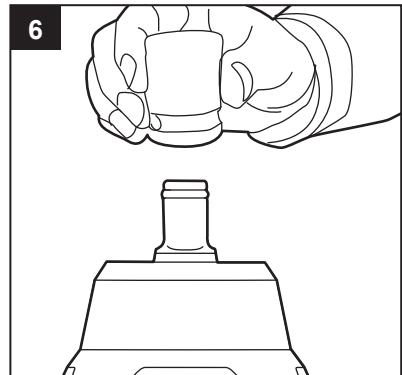
La luz de trabajo LED se apagará aproximadamente 10 segundos después de que se suelte el interruptor tipo gatillo de velocidad variable.

- La luz de trabajo LED titilará rápidamente cuando la herramienta deje de funcionar para proteger los circuitos internos. Espere a que la herramienta se enfríe para volver a encenderla.
- La luz de trabajo LED titilará de forma pausada para indicar que la carga de la batería está baja.



### 6. Cómo instalar y retirar los dados

- Retire el paquete de baterías.
- Para instalar un dado de 1,27 cm (1/2 pulg.) (no incluido), simplemente empujelo por completo sobre el yunque cuadrado (A).
- Para retirarlo, jálalo.



#### ADVERTENCIA

- Solo use dados diseñados para llaves de percusión. Los dados que no están diseñados para llaves de percusión se pueden quebrar y provocar lesiones en el usuario. Revíselos antes de usarlos para asegurarse de que no estén agrietados o presenten otros daños visibles.

### 7. Apriete los sujetadores con la llave de percusión.

#### ADVERTENCIA

- Las herramientas a batería siempre están en condiciones de operación. Por lo tanto, siempre retire el paquete de baterías de la herramienta cuando no esté en uso o cuando la transporte junto a usted.

La torsión de sujeción adecuada puede variar dependiendo del tipo y el tamaño del perno, el material de la pieza de trabajo, etc. Antes de comenzar el trabajo, siempre realice una operación de prueba para determinar el tiempo de sujeción adecuado para cada perno y tuerca.

- Verifique que el selector de dirección de rotación (B) esté en la configuración correcta (hacia delante o en reversa).

## INSTRUCCIONES DE FUNCIONAMIENTO

---

- b. Sostenga firmemente la herramienta y coloque el dado sobre el perno o la tuerca.
- c. Presione el interruptor tipo gatillo de velocidad variable (C) para encender la llave de percusión. El interruptor tipo gatillo de velocidad variable proporciona mayor velocidad cuando se ejerce más presión en el gatillo y menor velocidad cuando se ejerce menos presión.
- d. Apriete el perno o la tuerca con la torsión adecuada.
- e. Para APAGAR la llave de percusión, suelte el interruptor tipo gatillo de velocidad variable.
- f. Después de realizar una sujeción, siempre verifique la torsión con una llave.

**AVISO:** mantenga la herramienta perpendicular al eje del perno o la tuerca.

**AVISO:** una torsión de sujeción excesiva puede dañar el perno, la tuerca o el dado.

Practique con varios sujetadores y fíjese en el tiempo que se requiere para alcanzar la torsión deseada. Verifique la sujeción con una llave de torsión. Si los sujetadores están muy apretados, reduzca el tiempo de percusión. Si los sujetadores no están lo suficientemente apretados, aumente el tiempo de percusión.

La torsión de sujeción puede verse afectada por una amplia variedad de factores, como los siguientes:


- Dado: si no se utiliza un dado del tamaño correcto, se reducirá la torsión de sujeción. De la misma manera, si se usa un dado desgastado (en el extremo hexagonal o en el extremo recto), se reducirá la torsión de sujeción.
- Perno: aunque el coeficiente de torsión y la clase de perno sean iguales, la torsión de sujeción adecuada variará según el diámetro del perno. Aunque los diámetros de los pernos sean iguales, la torsión de sujeción adecuada variará según el coeficiente de torsión, la clase y el largo de los pernos.
- El uso de una junta universal o una barra de extensión (se venden por separado) reducirá en cierta medida la torsión de sujeción de la llave de percusión. Compense esta pérdida sujetándolos durante más tiempo.
- La manera en que se sostiene la herramienta o el material que se debe sujetar afectará la torsión.

### Cómo aflojar los sujetadores


La torsión que se requiere para aflojar un sujetador es, en promedio, entre el 75 % y el 80 % de la torsión de sujeción y dependerá de las condiciones de las superficies de contacto. Sin embargo, si el óxido o la corrosión hacen que la herramienta se trabaje, puede que sea necesario utilizar una torsión mayor.

## CUIDADO Y MANTENIMIENTO

---

 Todas las tareas de mantenimiento deben estar a cargo únicamente de un técnico de servicio calificado.

### Limpieza

 Antes de limpiar o realizar cualquier mantenimiento, retire el paquete de baterías. Para hacer un uso seguro y adecuado, siempre mantenga la herramienta y las ranuras de ventilación limpias.

Siempre use solamente un paño suave y seco para limpiar la llave de percusión; nunca use detergente ni alcohol.

## SOLUCIÓN DE PROBLEMAS

---



### ADVERTENCIA

Coloque el selector de dirección de rotación (B) en la posición de bloqueo central y retire la batería antes de realizar los procedimientos para solucionar los problemas.

PROBLEMA	CAUSA POSIBLE	ACCIÓN CORRECTIVA
La herramienta no funciona.	La capacidad de la batería está baja.	Cargue el paquete de baterías.
No se puede instalar el dado.	La broca no encaja en el portabrocas.	Utilice un adaptador adecuado o un dado con la capacidad requerida.
El motor se sobrecalentó.	Los conductos de ventilación están obstruidos.	Limpie y despeje los conductos de ventilación. No los cubra con la mano durante la operación.

## GARANTÍA

---

La herramienta cuenta con una garantía contra defectos de fabricación en los materiales y la mano de obra durante 5 años a partir de la fecha de compra para el comprador original. Esta garantía no cubre daños por maltrato, desgaste normal, mantenimiento inadecuado, negligencia, reparación o alteración no autorizada, ni piezas o accesorios desechables cuya inutilidad es esperable después de un período de uso razonable. La vigencia de esta garantía se limita a 90 días para el uso comercial y de alquiler.

Si cree que el producto cumple con los criterios de la garantía mencionada anteriormente, devuelva el producto al lugar donde lo compró con un comprobante de compra válido y el producto defectuoso se reparará o reemplazará sin cargo. Esta garantía le otorga derechos legales específicos, pero también podría tener otros derechos que varían según el estado.

