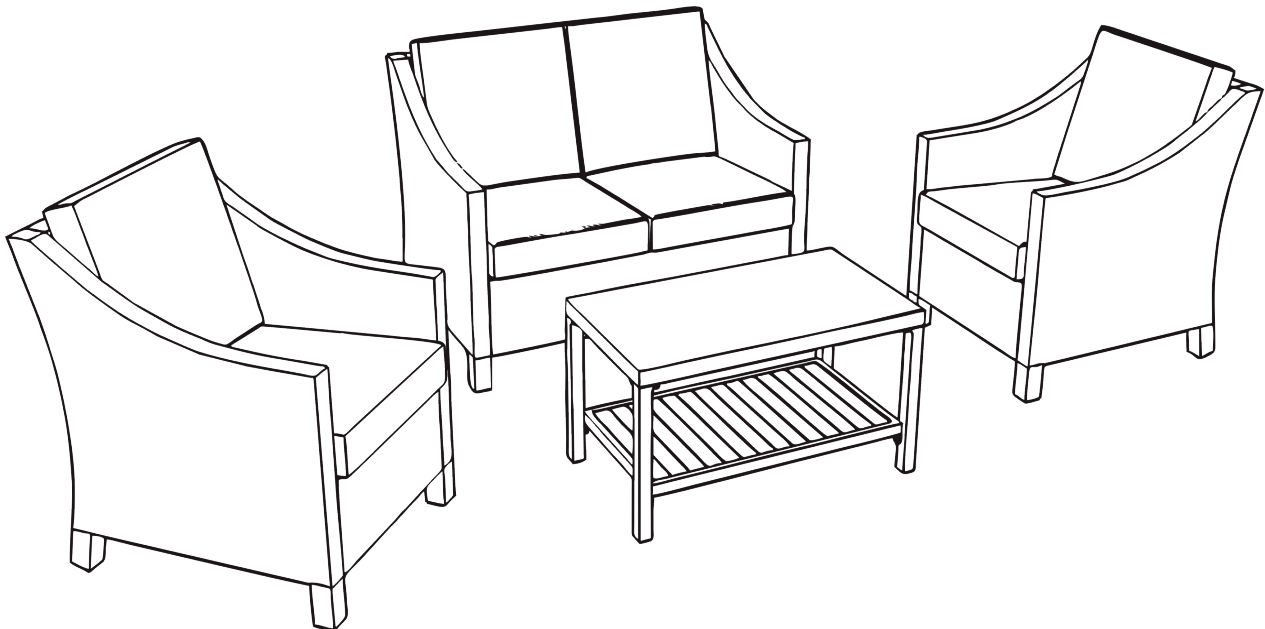




Item # 906420

# MARIETTA 4PC SEATING ASSEMBLY INSTRUCTIONS



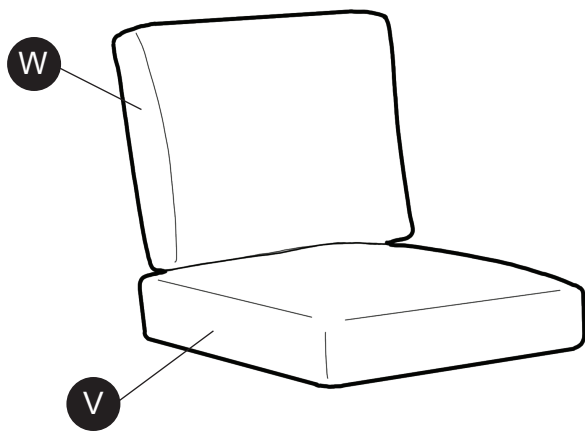
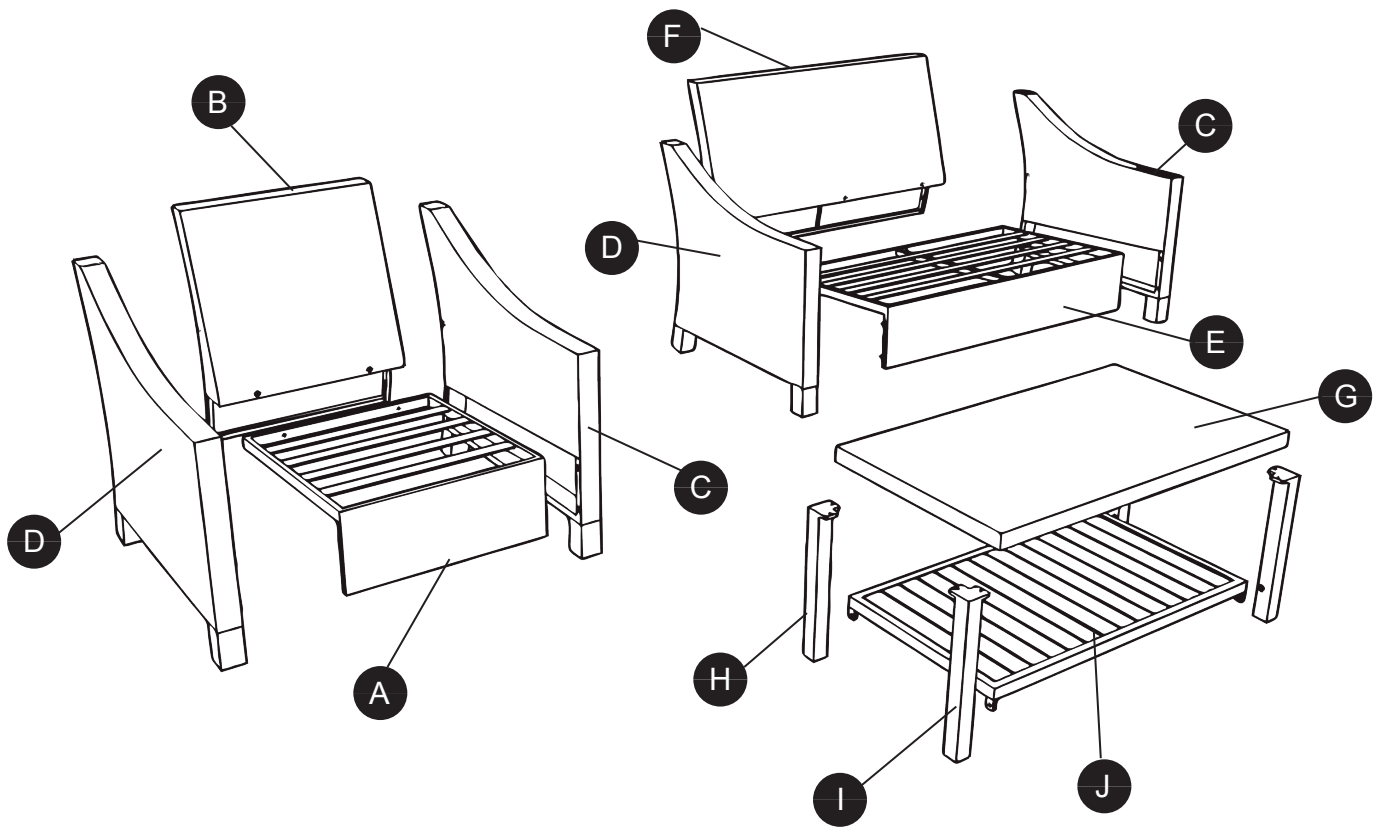
## ATTACH YOUR RECEIPT HERE

Order Number \_\_\_\_\_ Purchase Date \_\_\_\_\_



**Questions, problems, missing parts?** Before returning to your retailer, email our customer service department directly at [HELLO@LEISUREMADE.COM](mailto:HELLO@LEISUREMADE.COM) or call us at (888) 682-3012 8am-4pm EST, Monday-Friday.

# PACKAGE CONTENTS



PART	DESCRIPTION	QTY
A	Chair Seat	2
B	Chair Back	2
C	Left Arm When Seated	3
D	Right Arm When Seated	3
E	Loveseat Seat	1
F	Loveseat Back	1
G	Table Top	1
H	Table Leg (A)	2
I	Table Leg (B)	2
J	Bottom Shelf	1
V	Standard Seat Bottom	4
W	Standard Back Cushion	4

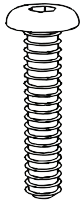
*Note: You will also have 4 plastic bags containing your fabric covers.*

*4 Bags: Standard Seat Covers (1 bag contains both 1 bottom seat and 1 back cover)*

## HARDWARE CONTENTS

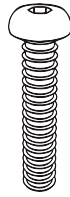
---

AA



M6 Bolt x 45mm  
Qty: 12

BB



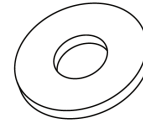
M6 Bolt x 30mm  
Qty: 19

CC



M6 Screw x 20mm  
Qty: 12

DD



Washer  
Qty: 31

EE



Plastic Bolt Cap  
Qty: 31

FF



Plastic Screw Cap  
Qty: 12

GG




Allen Key  
Qty: 1

## SAFETY INFORMATION

---

Please read and understand this entire manual before attempting to assemble, operate or install the product.

 **CAUTION:** Assemble on a soft, non-abrasive surface.

## PREPARATION

---

Before beginning assembly of product, make sure all parts are present. Compare parts with the package contents list and hardware contents list. If any part is missing or damaged, do not attempt to assemble the product.

If you find a missing or damaged part, please look through all pieces to make sure nothing else is missing or damaged. Compile a comprehensive list and give us a call. We will send out all parts in a single shipment. Ensuring you have all missing parts identified at the time you call will ensure a faster delivery to complete your beautiful patio furniture.

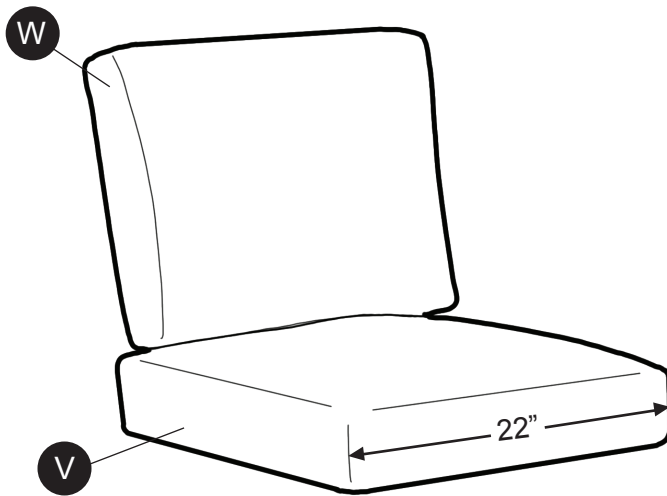
**Please call us directly, not your retailer. As the manufacturer we can walk you through any issues you may have. We are here to help: (888) 682-3012**

## CUSHION ASSEMBLY

Before beginning, make sure all cushions and covers are present. Make sure you have identified the difference in the seat bottoms and seat backs before pulling on the fabric covers.

PART	DESCRIPTION	QTY
V	Standard Seat Bottom	4
W	Standard Back Cushion	4

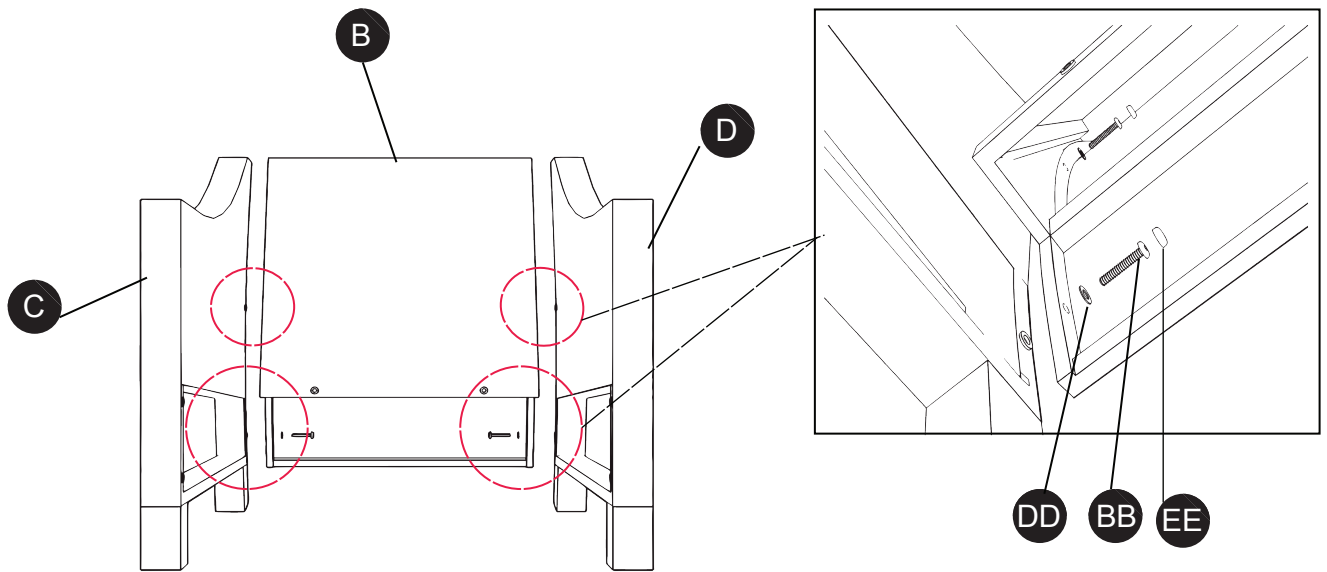
STANDARD CUSHION



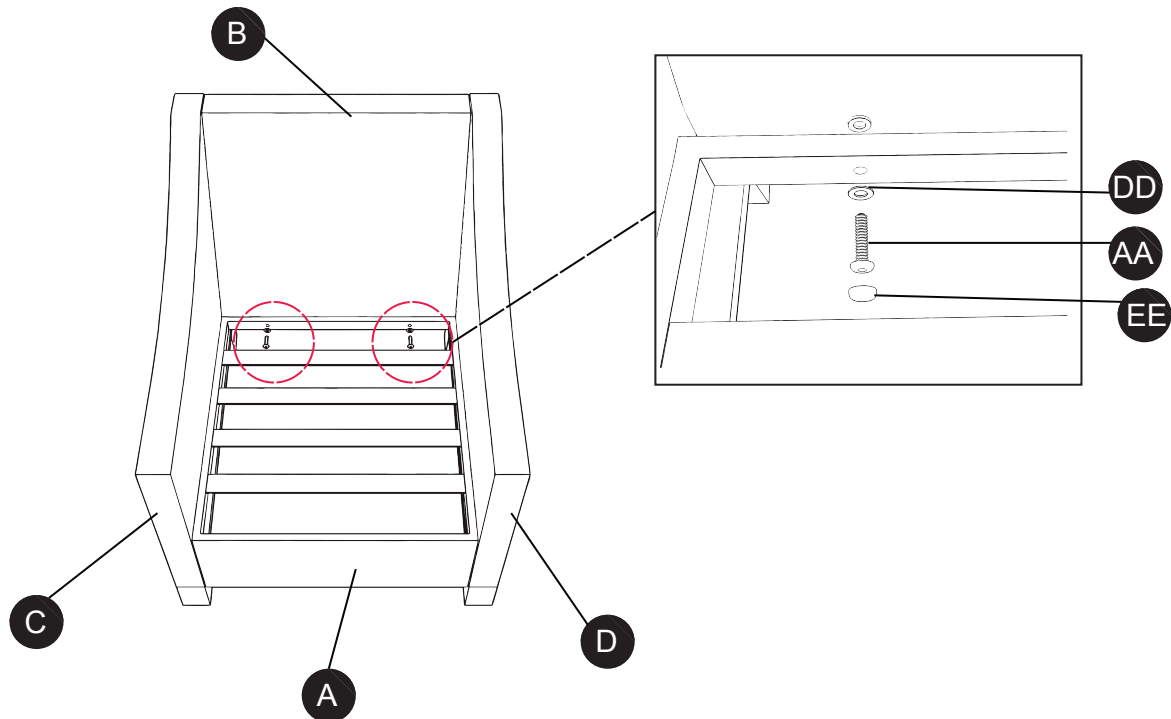
HELPFUL TIP: we call this the 'Taco Method'. Place the cushion between your knees and squeeze together to form a taco. This makes it much easier to pull on the cushion cover.

## ASSEMBLY INSTRUCTIONS

1. Fasten chair arms (C&D) to the chair back (B) with bolts (BB) and washers (DD) using the allen key (GG).

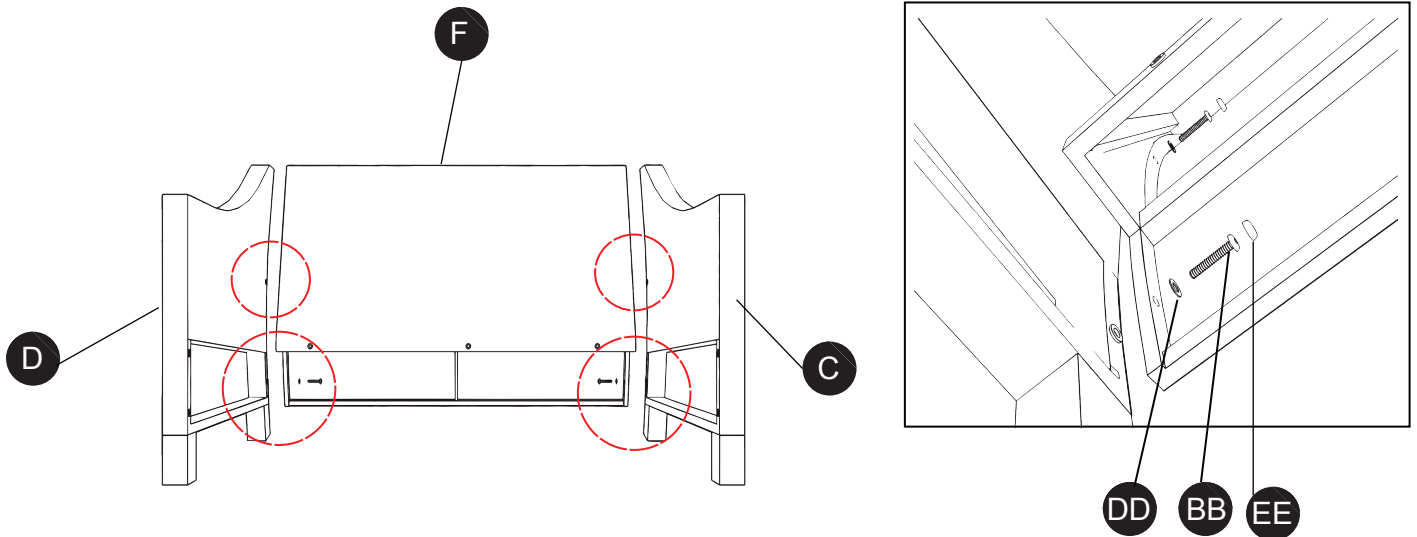


2. Attach the chair seat (A) to the chair back by using the bolts (AA) through the washers (DD) by using allen key (GG).

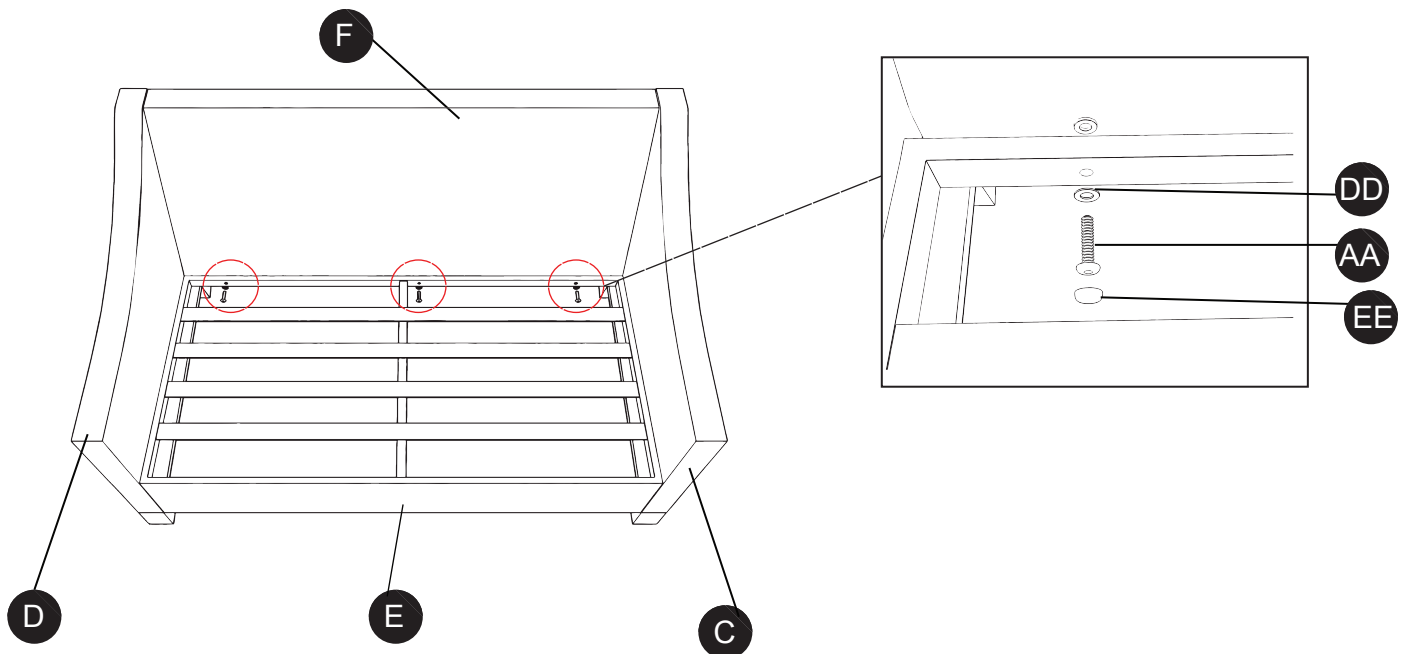


## ASSEMBLY INSTRUCTIONS

3. Fasten loveseat arms (C&D) to the loveseat back (F) with bolts (BB) and washers (DD) using the allen key (GG).

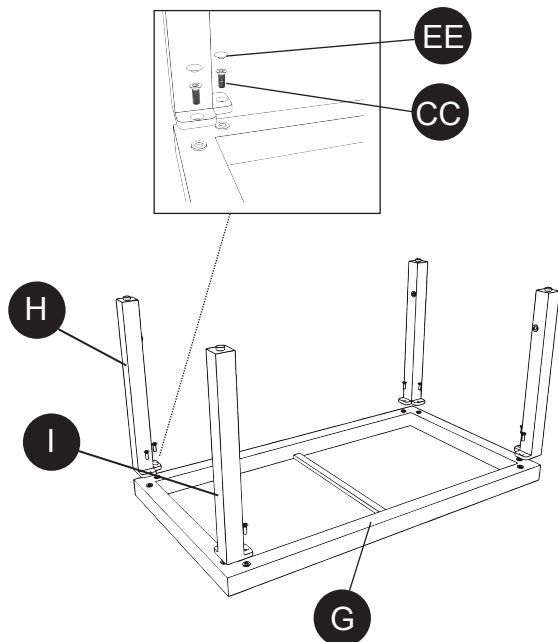


4. Attach the loveseat seat (E) to the loveseat back by using the bolts (AA) through the washers (DD) by using allen key (GG).

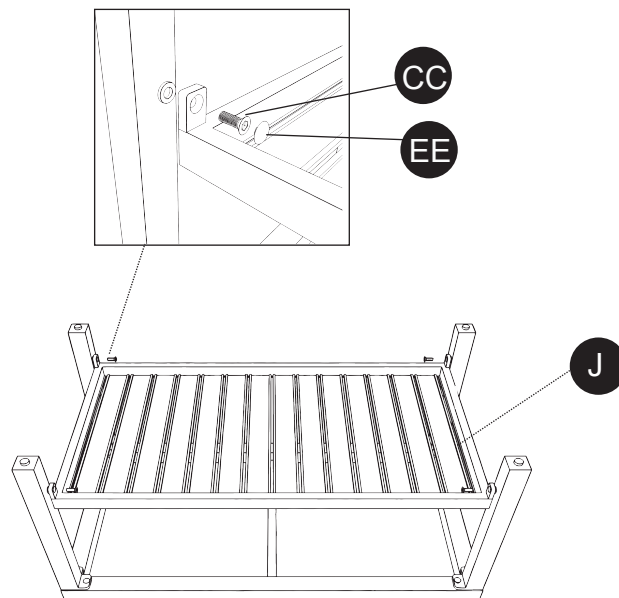


## ASSEMBLY INSTRUCTIONS

5. Place table top (G) face down on a soft surface and fasten the legs (H) & (I) to the top with the screws (CC) using the allen key (GG).



6. With the table still facing down on the ground, attach the woven shelf (J) to the legs (H) & (I) using the screws (CC).



7. Flip coffee table over and add the cushions on it. Enjoy your beautiful furniture!  
If you have any issues please call (888) 682-3012 directly.

