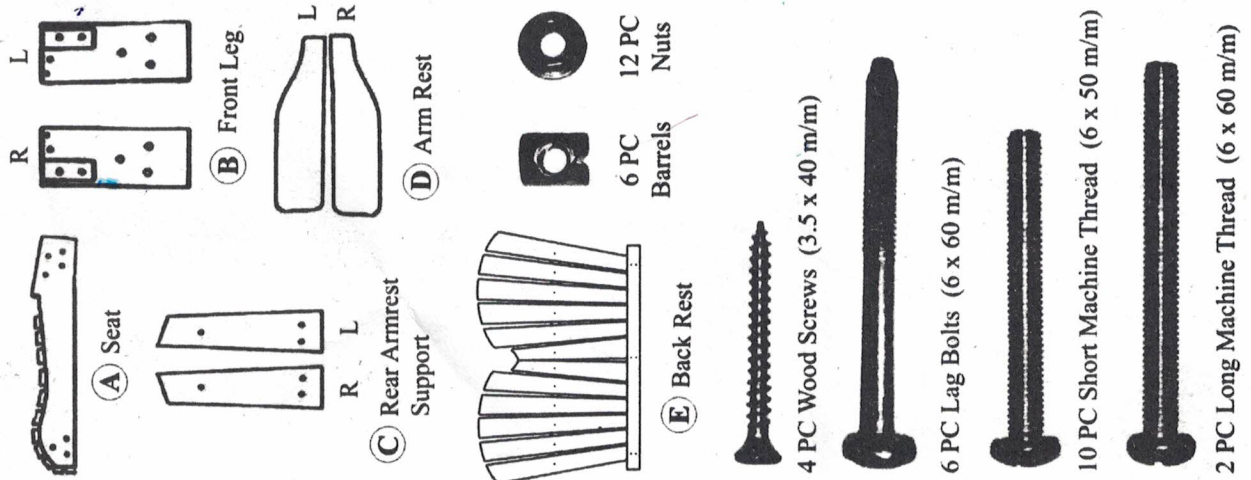


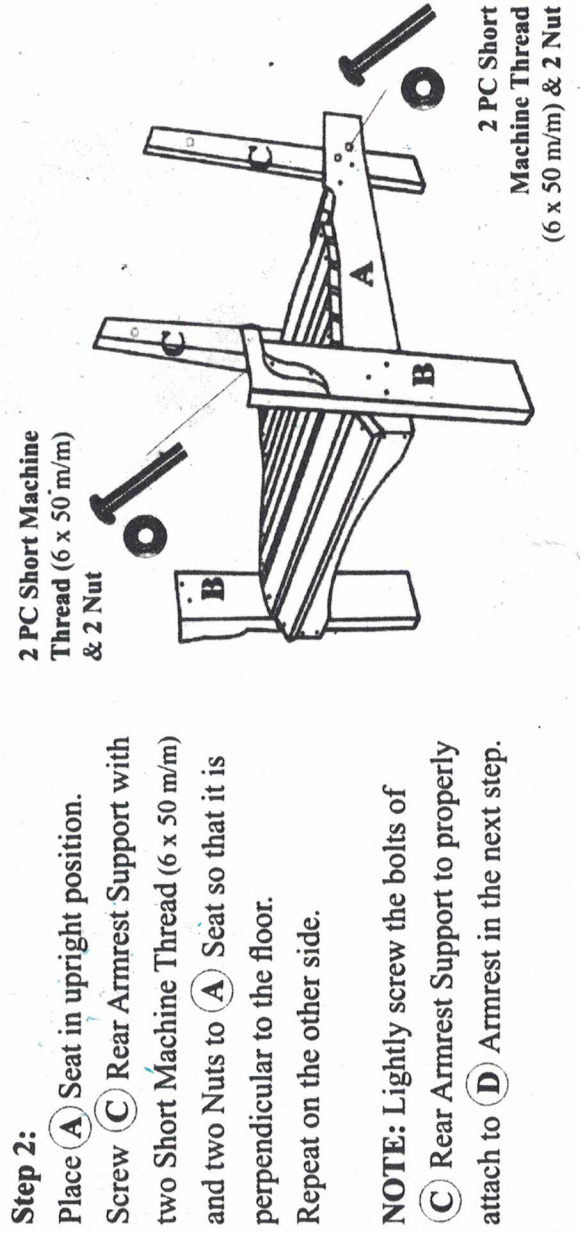
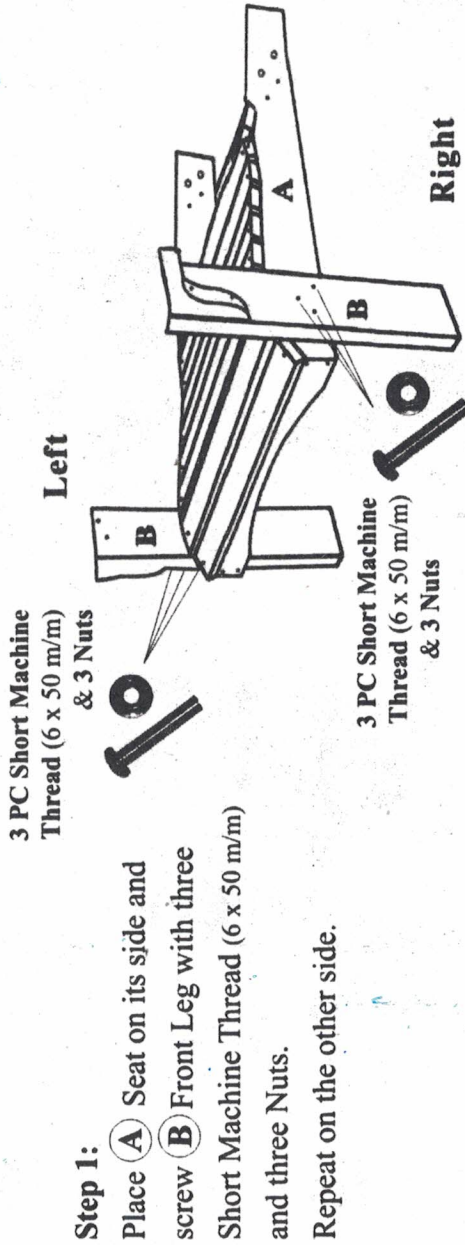
## PARTS INCLUDED:



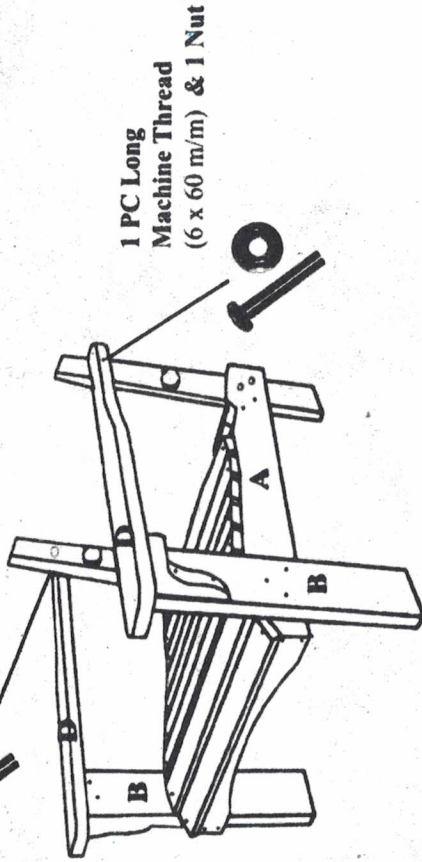
## How To Assemble Your Loveseat REV.

**TOOLS NEEDED:** Philips screwdriver, power drill optional

**CAUTION:** When assembling chair, **DO NOT** completely tighten the bolts and nuts until all the parts & holes are properly aligned.



**Step 3:**  
 1PC Long Machine Thread (6 x 60 m/m) & 1 Nut



1 PC Long Machine Thread (6 x 60 m/m) & 1 Nut

Attach the back of **(D)** Armrest to **(C)** Rear Armrest Support with one Long Machine Thread (6 x 60 m/m) and one Nut. Repeat on the other side. Leave **(D)** Armrest sitting on **(B)** Front Legs for now and do not attach the strews.

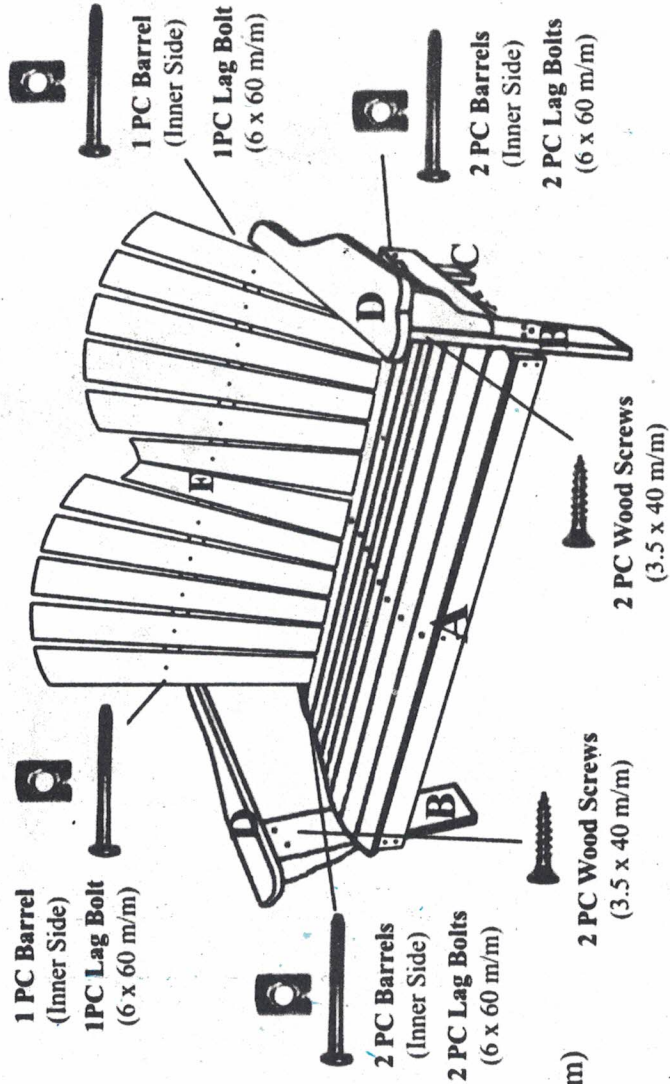
**Step 4:**

Place four barrels into the holes found on the inner sides of **(A)** Seat and place two barrels into holes found at the inner side of **(C)** Rear Armrest Support.

Remove any debris from holes in **(E)** Back Rest. Fit **(E)** Back Rest onto **(C)** Rear Armrest Support.

Once fitted, use four Lag Bolts (6 x 60 m/m) to attach **(E)** Back Rest to **(A)** Seat and the remaining two Lag Bolts (6 x 60 m/m) to attach **(E)** Back Rest to **(C)** Rear Armrest Support.

Push **(D)** Armrest forward until it hits the wings of **(B)** Front Leg and use two Wood Screws (3.5 x 40 m/m) to attach them together. Repeat on the other side.



1 PC Barrel (Inner Side)

1PC Lag Bolt (6 x 60 m/m)

1 PC Barrel (Inner Side)

1PC Lag Bolt (6 x 60 m/m)

2 PC Barrels (Inner Side)

2 PC Lag Bolts (6 x 60 m/m)

2 PC Barrels (Inner Side)

2 PC Lag Bolts (6 x 60 m/m)

2 PC Wood Screws (3.5 x 40 m/m)

2 PC Wood Screws (3.5 x 40 m/m)