

# Haier

Installation and User Manual  
Instructions d'installation et  
Guide de l'utilisateur  
Instrucciones de instalación y  
Manual del usuario  
HRT18RCW, HRT18RCP

Top Mount Refrigerator

Réfrigérateur à compartiments superposés

Refrigerador superior





# TABLE OF CONTENTS

**REFRIGERATOR SAFETY** ..... 2  
 Proper Disposal of Your Old Refrigerator ..... 3

**PARTS AND FEATURES** ..... 3

**INSTALLATION REQUIREMENTS** ..... 4  
 Location Requirements ..... 4  
 Electrical Requirements ..... 4  
 Water Supply Requirements ..... 4

**INSTALLATION INSTRUCTIONS** ..... 5  
 Step 1 - Unpack Refrigerator ..... 5  
 Step 2 - Reverse Door Swing ..... 5  
 Step 3 - Install Door Handles ..... 6  
 Step 4 - Make Water Connection ..... 7  
 Step 5 - Make Electrical Connection ..... 8  
 Step 6 - Level Refrigerator ..... 8

**REFRIGERATOR USE** ..... 8  
 Airflow ..... 8  
 Temperature Controls ..... 9  
 Ice Maker and Ice Storage Bin ..... 9

**REFRIGERATOR CARE** ..... 10  
 Cleaning ..... 10  
 Lights ..... 10  
 Power Failure ..... 11  
 Vacation and Moving ..... 11

**TROUBLESHOOTING** ..... 12  
 Operation ..... 12  
 Ice and Water ..... 13  
 Temperature and Moisture ..... 13

**LIMITED WARRANTY** ..... 14

**RECORD KEEPING** ..... 15

# REFRIGERATOR SAFETY

## Your safety and the safety of others are very important.

We have provided many important safety messages in this manual and on your appliance. Always read and obey all safety messages.



This is the safety alert symbol.

This symbol alerts you to potential hazards that can kill or hurt you and others. All safety messages will follow the safety alert symbol and either the word "DANGER," "WARNING" or "CAUTION."

These words mean:

**⚠ DANGER**

An imminently hazardous situation. You could be killed or seriously injured if you don't immediately follow instructions.

**⚠ WARNING**

A potentially hazardous situation which, if not avoided, could result in death or serious bodily injury.

**⚠ CAUTION**

A potentially hazardous situation which, if not avoided, may result in moderate or minor injury.

All safety messages will tell you what the potential hazard is, tell you how to reduce the chance of injury, and tell you what can happen if the instructions are not followed.

## IMPORTANT SAFETY INSTRUCTIONS

**⚠ WARNING**

To reduce the risk of fire, electrical shock, injury to persons, or damage when using the refrigerator, follow basic precautions, including the following:

- Plug the power cord into a grounded 3 prong outlet.
- Do not remove ground prong.
- Do not use an adapter.
- Do not use an extension cord.
- Disconnect power before servicing.
- Replace all parts and panels before operating.
- Remove doors from your old refrigerator.
- Use nonflammable cleaner.
- Keep flammable materials and vapors, such as gasoline, away from refrigerator.
- Use two or more people to move and install refrigerator.
- Disconnect power before installing ice maker (on ice maker kit ready models only).

## READ AND SAVE THESE INSTRUCTIONS

### STATE OF CALIFORNIA PROPOSITION 65 WARNINGS:

**⚠ WARNING**

This product contains one or more chemicals known to the State of California to cause cancer.

**⚠ WARNING**

This product contains one or more chemicals known to the State of California to cause birth defects or other reproductive harm.

# PROPER DISPOSAL OF YOUR OLD REFRIGERATOR

## ⚠ WARNING

### Suffocation Hazard

Remove doors from your old refrigerator.  
Failure to do so can result in death or brain damage.

**IMPORTANT:** Child entrapment and suffocation are not problems of the past. Junked or abandoned refrigerators are still dangerous - even if they will sit for "just a few days." If you are getting rid of your old refrigerator, please follow these instructions to help prevent accidents.

### Before You Throw Away Your Old Refrigerator or Freezer:

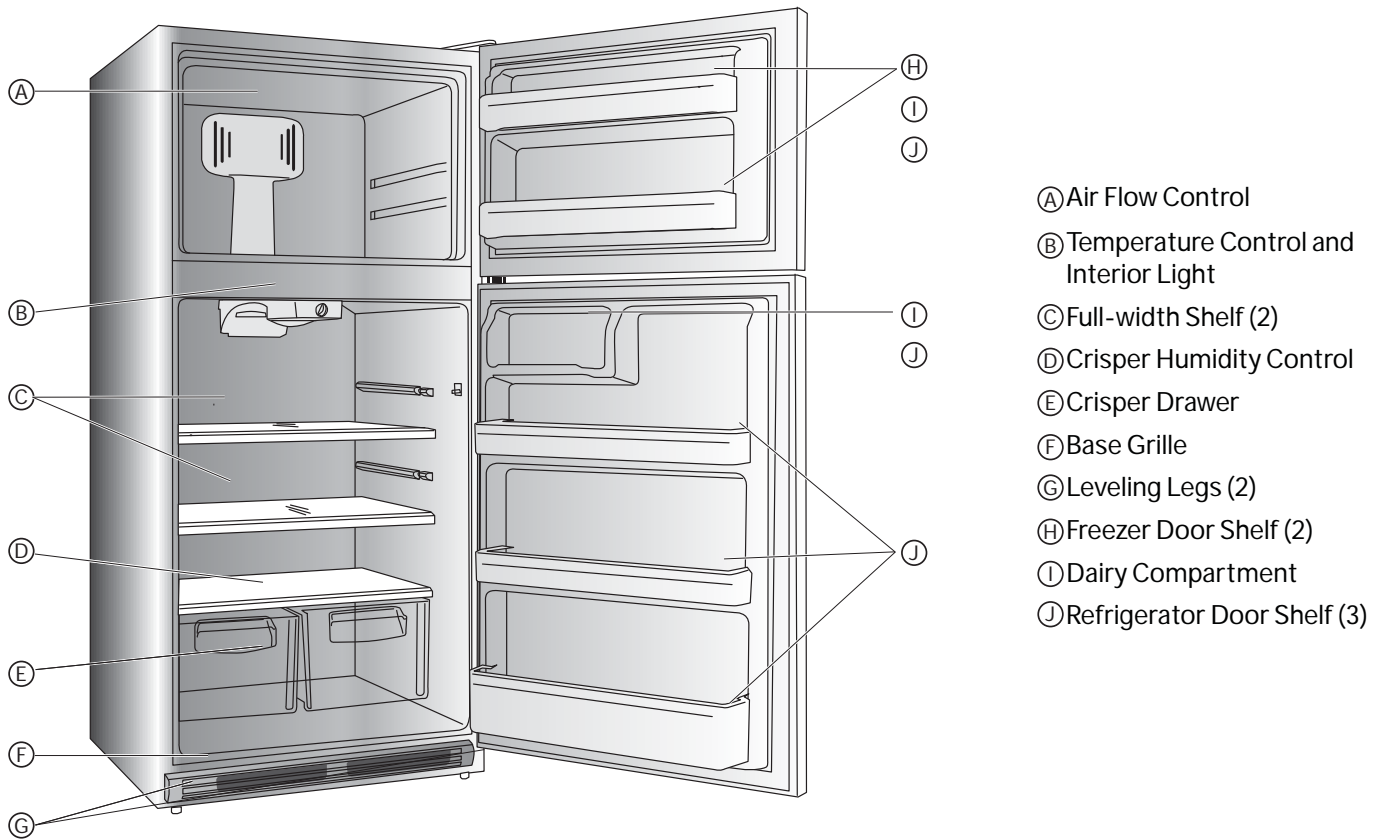
- Take off the doors.
- Leave the shelves in place so that children may not easily climb inside.

### Important information to know about disposal of refrigerants:

Dispose of refrigerator or freezer in accordance with Federal and Local regulations. Refrigerants must be evacuated by a licensed, EPA certified refrigerant technician in accordance with established procedures.

## PARTS AND FEATURES

All features are not available on all models.



# INSTALLATION REQUIREMENTS

## LOCATION REQUIREMENTS

### ⚠ WARNING



#### Explosion Hazard

Keep flammable materials and vapors, such as gasoline, away from appliance.

Failure to do so can result in death, explosion or fire.

**IMPORTANT:** This refrigerator is designed for indoor, household use only.

To ensure proper ventilation for your refrigerator, allow 2" (5.08 cm) of space behind the refrigerator.

This refrigerator is intended for use in a location where the temperature ranges from a minimum of 55°F (13°C) to a maximum of 95°F (35°C). The preferred room temperature range for optimum performance, which reduces electricity usage and provides superior cooling, is between 60°F (15°C) and 90°F (32°C).

**NOTE:** It is recommended that you do not install the refrigerator in direct sunlight or near a heat source, such as an oven or radiator.

## ELECTRICAL REQUIREMENTS

### ⚠ WARNING



#### Electrical Shock Hazard

Plug into a grounded 3 prong outlet.

Do not remove the ground prong from the power cord plug.

Do not use an adapter.

Do not use an extension cord.

Failure to do so can result in death, fire or electrical shock.

Before you move your refrigerator into its final location, it is important to make sure you have the proper electrical connection.

#### Recommended Grounding Method

A 115 volt, 60 Hz, AC only 15- or 20-amp fused, grounded electrical supply is required. It is recommended that a separate circuit serving only your refrigerator be provided. Use an outlet that cannot be turned o by a switch. Do not use an extension cord.

**NOTE:** Before performing any type of installation or cleaning, disconnect the refrigerator from the electrical source. When you are finished, reconnect the refrigerator to the electrical source and reset the temperature controls to the desired setting.

## WATER SUPPLY REQUIREMENTS

- Access to a household cold water line that has water pressure between 20 psi and 120 psi, and that is NOT connected to a water softening system.

**NOTE:** Chemicals from the water softener may damage the ice maker causing it to malfunction.

- A water supply line made of ¼" O.D., copper tubing. Determine the length of tubing needed by measuring the distance from the ice maker water valve on the back of the refrigerator to your cold water pipe. Add approximately 7 feet to this measurement, to allow the refrigerator to be moved out for service.

#### NOTE:

- Plastic is not recommended because it greatly increases the potential for water leaks.
- A shutoff valve to connect the water supply line to your household water system.
- **NOTE:** Do not use a self-piercing type shutoff valve.
- A compression nut and ferrule (sleeve) for connecting the water supply line to the ice maker inlet valve.

# INSTALLATION INSTRUCTIONS

## STEP 1 - UNPACK REFRIGERATOR

### ⚠ WARNING

#### Excessive Weight Hazard

Use two or more people to move and install refrigerator.  
Failure to do so can result in back or other injury.

## REMOVE PACKAGING

- Remove tape and glue residue from surfaces before turning on the refrigerator. Rub a small amount of liquid dish soap over the adhesive with your fingers. Wipe with warm water and dry.

**NOTE:** Do not use sharp instruments, rubbing alcohol, flammable fluids, or abrasive cleaners to remove tape or glue. These products can damage the surface of your refrigerator. For more information, see "Refrigerator Safety."

- Dispose of/recycle all packaging materials.

**NOTE:** It is normal for the freezer door to be slightly higher than the top of the cabinet when the refrigerator is first installed. This is designed to ensure the gasket seals properly once the freezer door is loaded with food.

### When Moving Your Refrigerator:

Your refrigerator is heavy. When moving the refrigerator for cleaning or service, be sure to cover the floor with cardboard or hardboard to avoid floor damage. Always pull the refrigerator straight out when moving it. Do not wiggle or "walk" the refrigerator when trying to move it, as floor damage could occur.

## CLEAN BEFORE USING

After you remove all of the packaging materials, clean the inside of the refrigerator before using it. See the cleaning instructions in "Refrigerator Care."

### Important information to know about glass shelves and covers:

Do not clean glass shelves or covers with warm water when they are cold. Shelves and covers may break if exposed to sudden temperature changes or impact, such as bumping. Tempered glass is designed to shatter into many small, pebble-size pieces. This is normal. Glass shelves and covers are heavy. Use both hands when removing them to avoid dropping.

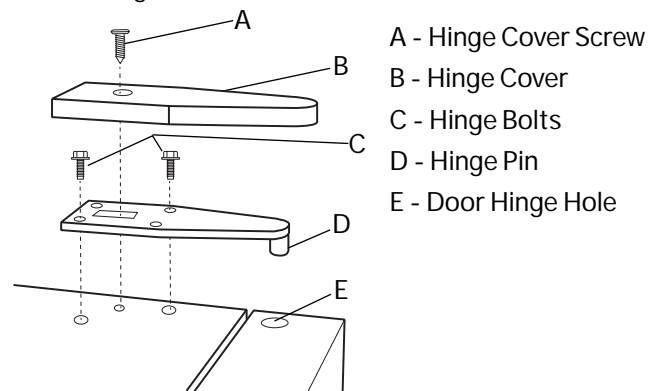
## STEP 2 - REVERSE DOOR SWING (Optional)

If you want the doors to open from the opposite side you can reverse the door swing.

### Tools Needed:

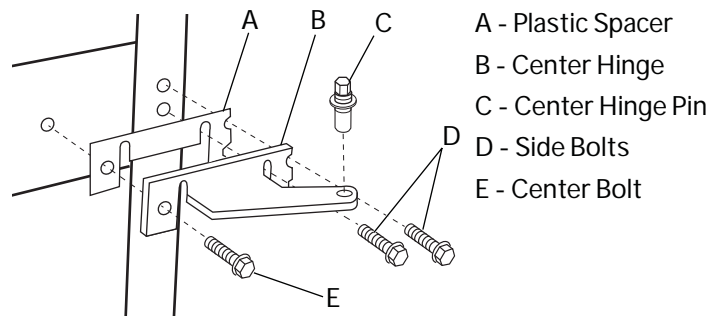
- Phillips Screwdriver
- Pliers
- T25 Torx Screwdriver (On Some Models)
- 5/16" and 3/8" Wrenches or Adjustable Wrench

- Unplug refrigerator or disconnect power.
- Remove base grille, if it is already installed.
- Remove top hinge cover and top hinge. Lift freezer door or center hinge and set aside.



- A - Hinge Cover Screw
- B - Hinge Cover
- C - Hinge Bolts
- D - Hinge Pin
- E - Door Hinge Hole

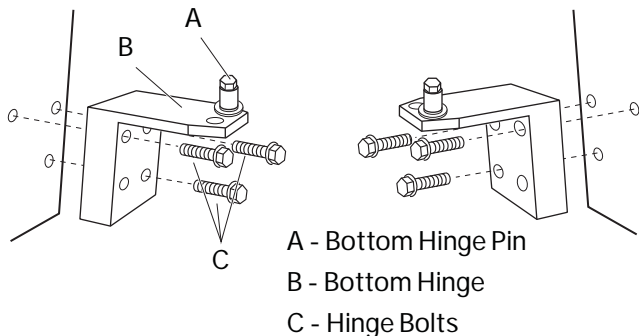
- Unscrew center hinge pin. Keep the plastic washers to use when reinstalling the door.
- Lift refrigerator door from bottom hinge, and set aside.
- Using either a wrench or T25 Torx screwdriver, remove the center hinge and plastic spacer by unscrewing the center bolt, loosening the side bolts and sliding the hinge to the center of the cabinet. Tighten the side bolts.



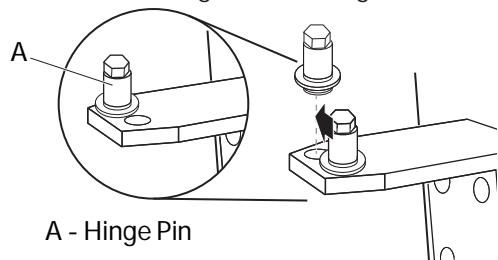
- A - Plastic Spacer
- B - Center Hinge
- C - Center Hinge Pin
- D - Side Bolts
- E - Center Bolt

- On the opposite side of the cabinet, remove the center bolt and loosen the side bolts. Slide the center hinge and spacers behind the side bolts. Reinstall the center bolt and tighten the side bolts.

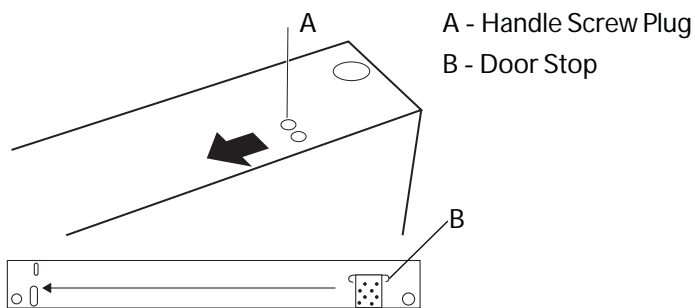
- Remove the bolts from the bottom hinge and reinstall the bottom hinge to the opposite side of the cabinet. Tighten the bolts completely.



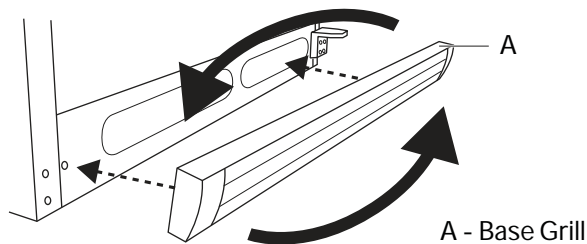
- Unscrew and remove the bottom hinge pin. Reinstall the pin into the outer hinge hole, and tighten.



- Move the door stops (bottom of both doors), hinge hole covers and handle screw plugs, if previously installed, on both doors to the opposite side of the doors.



- Set the refrigerator door onto the bottom hinge pin. Align the hinge hole in the door with the hole in the center hinge. Insert the center hinge pin and completely tighten.
- Set the freezer door onto the center hinge pin, and then close the door.
- Insert the top hinge pin into the hinge hole on the top of the door. Align the holes in the top hinge with the hinge holes in the top of the cabinet. Reinstall the hinge bolts and completely tighten. Replace the top hinge cover.
- Flip over the base grille and reinstall.

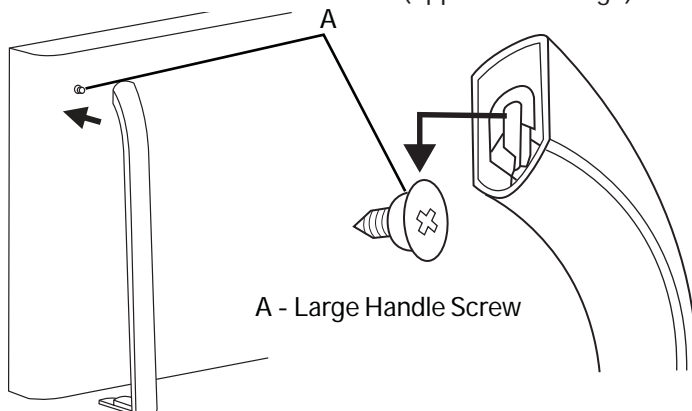


- Remove door handles (if previously installed) and reinstall on the opposite side. See "Install Door Handles."
- Plug in or reconnect power.

## STEP 3 - INSTALL DOOR HANDLES

Follow the instructions specific to your model.

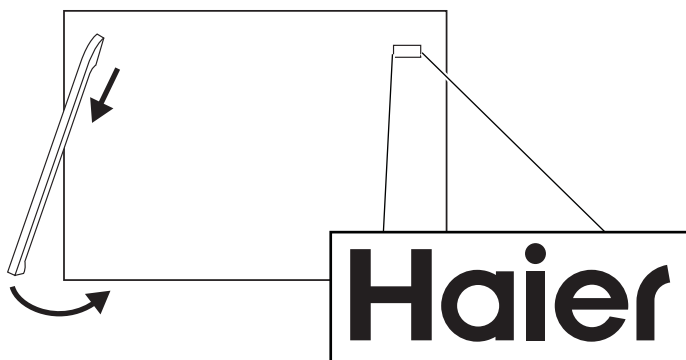
- Remove door handles, Haier badge, and screws from the plastic bags.
- Install one large handle screw on the face of the freezer and refrigerator doors. The screw location corresponds with the handle side of the door (opposite the hinge).



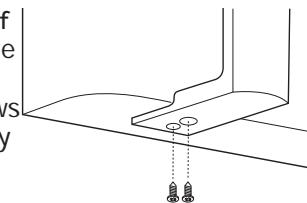
- Place flared end of handle over mounting screw on face of door. Slide handle downward to secure it to the mounting screw (plastic handle only).

**NOTE:** The mounting screw may need to be loosened slightly if the handle is difficult to slide.

- Rotate door handle toward the gap between the doors.

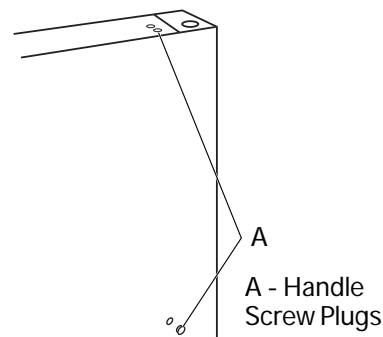


- Align the holes in the flat end of the handle with the holes on the bottom edge of the door and fasten with the two small screws (provided). DO NOT completely tighten screws.

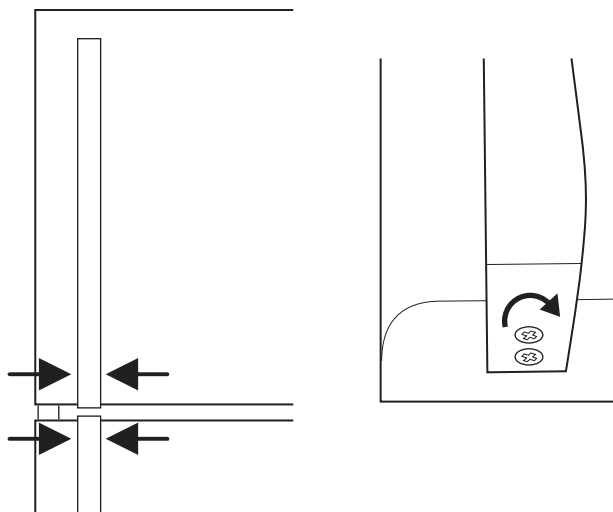


- Install Haier badge on the freezer door over the top of open screw hole on the side opposite the handle.

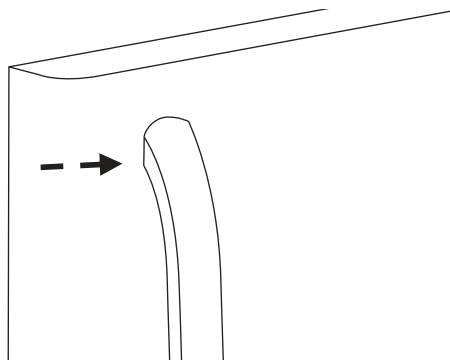
- Install a handle screw plug on the refrigerator door into the open screw hole on the side opposite the handle. Install two handle screw plugs on the top of the refrigerator door near the center hinge.



8. Repeat steps 1-5 to install the handle to the other door.
9. With both handles mounted, align the handles.
10. Slowly open the door, and then completely tighten the screws.



11. For stainless steel handles, use the hex key provided to tighten the set screw in the flared end of the handle. Continue to tighten until the handle is flush with the door, and then tighten an additional half turn.



## STEP 4 - MAKE WATER CONNECTION

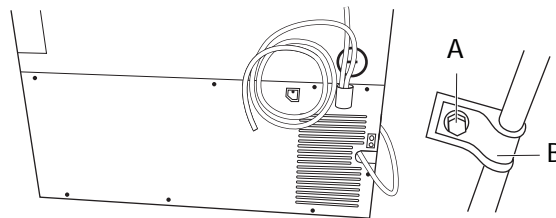
### IMPORTANT:

This water supply installation is not covered under warranty by the refrigerator or ice maker manufacturer(s). Follow these instructions carefully to minimize the risk of expensive water damage.

Do not install water tubing in locations where the temperature falls below freezing.

1. Unplug refrigerator or disconnect power.
2. Turn off water supply at shutoff valve.
3. Remove rear access cover for the compressor compartment.
4. Connect copper water supply line to the household water system.
5. Using a compression nut and ferrule, connect the water supply line to the ice maker inlet valve.
6. Turn ON water supply and tighten any connections that leak.
7. Reinstall rear access cover for compressor compartment.
8. Coil excess water supply line behind refrigerator, as shown. Arrange coils so they do not vibrate or wear against other surfaces.

**NOTE:** Using the water line clamp (provided) and #8 screw (provided), secure the water supply line to the back of the refrigerator.



A - #8 Screw

B - Water Line Clamp

## STEP 5 - MAKE ELECTRICAL CONNECTION

### ⚠ WARNING



#### Electrical Shock Hazard

Plug into a grounded 3 prong outlet.

Do not remove the ground prong from the power cord plug.

Do not use an adapter.

Do not use an extension cord.

Failure to do so can result in death, fire or electrical shock.

1. Plug into a grounded 3 prong outlet.
2. Allow the refrigerator to cool for several hours before adding food.

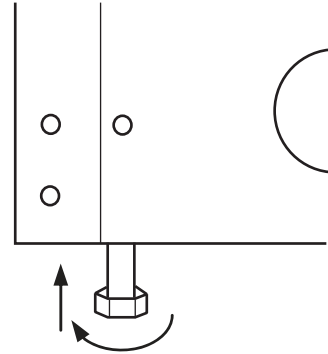
## STEP 6 - LEVEL REFRIGERATOR

(If Needed)

The refrigerator must be level to maintain optimal performance and appearance, and to avoid excess vibration and noise.

1. Move the refrigerator to its final location on a flat, even floor.
2. Turn the leveling leg at the bottom, front of the cabinet to raise or lower that side of the refrigerator until the refrigerator is level side-to-side.

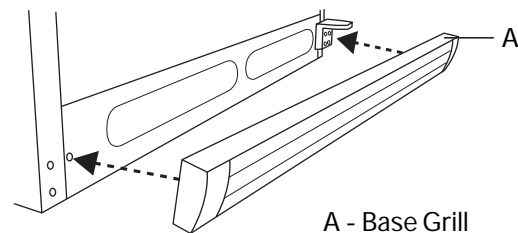
**NOTE:** Having someone push against the top of the refrigerator takes some weight off the leveling legs, which makes it easier to turn the legs.



3. Turn both front legs the same amount ( $\frac{1}{4}$ " [6 mm]), to slightly raise the front of the refrigerator.

**NOTE:** Having the front of the refrigerator raised slightly makes it easier for the doors to close and seal properly.

4. Install the base grille, as shown.



A - Base Grill

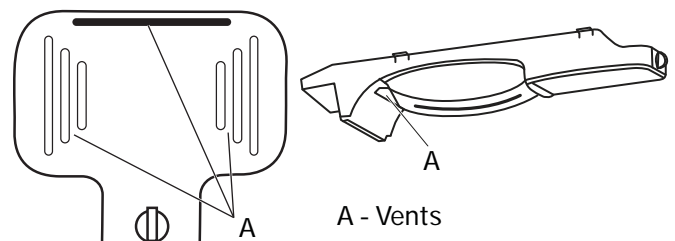
## REFRIGERATOR USE

### AIRFLOW

To ensure proper airflow inside the refrigerator, do not store items:

- Directly in front of the freezer fan tower vents
- Directly under the refrigerator vent
- Against the sides of the refrigerator compartment

**NOTE:** Place items toward the center of the shelves.



A - Vents

## TEMPERATURE CONTROLS

There is a temperature control dial in both the freezer and refrigerator compartments. However, adjusting the control in the refrigerator compartment will also affect the temperature in the freezer compartment.

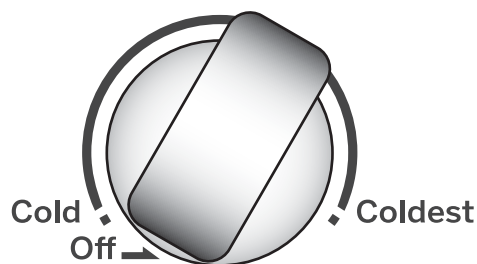
**IMPORTANT:** Turning either temperature control to OFF or to the least cold temperature setting does NOT disconnect the refrigerator from the power supply.

- The recommended setting should be correct for normal household refrigerator use.
- When the refrigerator is first turned on, it may take up to 12 hours to cool to the preset temperatures. Wait 24 hours for your refrigerator to cool completely before adding food. If you add food before the refrigerator has cooled completely, your food may spoil.
- If the temperature is too warm or too cold in the refrigerator or freezer, first check the air vents to be sure they are not blocked before adjusting the controls. See "Airflow."

### REFRIGERATOR COMPARTMENT

The refrigerator compartment temperature control should be set at "1 o'clock." After 24 hours has passed, the control can be adjusted in small increments to achieve the desired temperature.

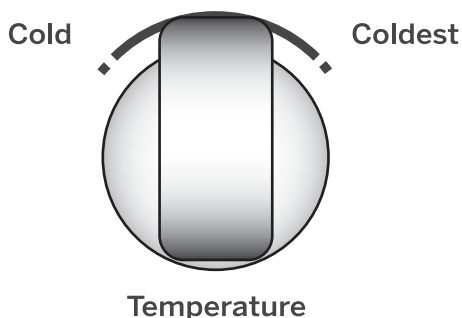
**NOTE:** Wait 24 hours between adjustments for the temperature to stabilize.



### FREEZER COMPARTMENT

The freezer compartment temperature control should be set at "12 o'clock." After 24 hours has passed, the control can be adjusted in small increments to achieve the desired temperature.

**NOTE:** Wait 24 hours between adjustments for the temperature to stabilize.



## ICE MAKER AND ICE STORAGE BIN

(On Some Models)

### IMPORTANT:

- Keep the wire control arm in the OFF position until the refrigerator is connected to the water supply or whenever the water supply is turned o.
- It takes approximately 24 hours for the ice maker to begin producing ice.
- New plumbing may cause ice discoloration and poor flavor. Discard the ice made in the first 24 hours.
- Water quality determines ice quality. Do not connect the ice maker to water that is softened. Chemicals from a malfunctioning softener can damage the ice maker.
- Ice may develop an odd flavor when it is stored too long. Empty and clean the ice storage bin. Turn ON the ice maker to make fresh ice.

**NOTE:** Do not wash the ice storage bin in a dishwasher.

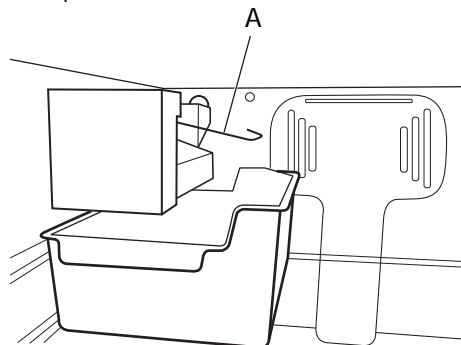
### TURN ON/OFF THE ICE MAKER

- Lower the wire control arm to turn ON the ice maker.

**NOTE:** The ice maker turns OFF automatically when the ice storage bin is full.

- Raise the wire control arm, until it locks, to manually turn OFF the ice maker.

**NOTE:** Turn OFF the ice maker when cleaning the freezer or going on vacation. If the ice maker will be turned o for an extended period of time, turn the water supply valve to the closed position.



A - Wire Control Arm

# REFRIGERATOR CARE

## CLEANING

Both the refrigerator and freezer sections defrost automatically. However, clean both sections about once a month to avoid buildup of odors. Wipe up spills immediately.

Because air circulates between both sections, any odors formed in one section will transfer to the other. You must thoroughly clean both sections to eliminate odors. To avoid odor transfer and drying out of food, wrap or cover foods tightly.

### ⚠ WARNING



#### Explosion Hazard

Use nonflammable cleaner.

Failure to do so can result in death, explosion or fire.

#### IMPORTANT:

- Do not use harsh chemicals, ammonia, chlorine bleach, concentrated detergent, solvents, abrasives or metal scouring pads to clean your product inside or out. They can damage and/or discolor the refrigerator finish.
- Do not wash any parts in a dishwasher.
- Do not use warm water to clean glass shelves while they are still cold. Glass may break when exposed to sudden temperature changes or impact.

### ⚠ WARNING



#### Electrical Shock Hazard

Unplug your appliance or disconnect power before cleaning.

Failure to do so can result in death, electric shock or personal injury.

1. Unplug refrigerator or disconnect power.
2. Using a clean sponge or soft cloth and a mild detergent dissolved in warm water, wash removable parts and the interior surfaces. Rinse well and dry thoroughly.
3. Clean the exterior surfaces.

**Painted metal:** Wash painted metal exteriors with a clean, soft cloth or sponge and a mild detergent in warm water. Rinse surfaces with clean, warm water and dry immediately to avoid water spots.

**Stainless steel:** Stainless steel is corrosion resistant and not corrosion-proof. To help avoid corrosion of your stainless steel, wash stainless steel surfaces with a clean, soft cloth or sponge and a mild detergent in warm water. Rinse surfaces with clean, warm water and dry immediately to avoid water spots.

**NOTE:** When cleaning stainless steel, always wipe in the direction of the grain to avoid cross-grain scratching.

4. Clean the door gaskets every 3 months. Using a clean sponge or soft cloth and a mild detergent dissolved in warm water, wash the gaskets. Rinse well and dry thoroughly. Lightly apply petroleum jelly to the hinge side of the gaskets to keep the gasket pliable and assure a good seal.

**NOTE:** Clean gaskets will maintain a better seal than dirty gaskets.

5. Plug in refrigerator or reconnect power.

## LIGHTS

Depending on your model, the lights in the refrigerator and freezer compartments may use either LED blocks (modules), LED bulbs or incandescent bulbs. Follow the instructions specific to your model.

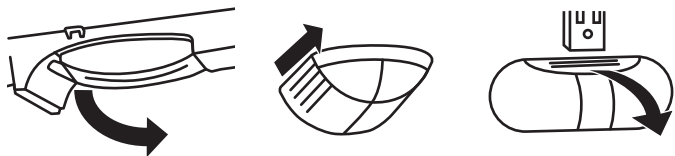
#### IMPORTANT:

- Some LED replacement bulbs are not recommended for wet/damp environments. The refrigerator and freezer are considered to be wet/damp environments. If using a brand of LED bulb other than the recommended LED bulb, before installation, read and follow all instructions on the LED packaging.
- If an incandescent bulb is used to replace an LED bulb, use only incandescent bulbs for household appliances with a maximum wattage as follows:

Type	Upper Refrigerator Light	Refrigerator Crisper and Freezer Light (on some models)
Incandescent Light Bulb	40 Watt Daylight appliance bulb with medium base (1 or 2 bulbs depending on model)	25 Watt appliance bulb with candelabra base
LED Bulb	5 Watt (or 40 Watt Incandescent equivalent) LED bulb with medium base	1.2 Watt (or 25 Watt Incandescent equivalent) LED bulb w/ candelabra base
LED Lighting Blocks	If your refrigerator is equipped with LED lighting blocks, these lights are designed to last for the life of your refrigerator. However, if the lights stop operating, please contact a qualified technician for replacement.	

### To Replace the Light Bulb:

1. Unplug refrigerator or disconnect power.
2. Remove the light shield (on some models).



3. After allowing the bulb to cool, remove the burned-out bulb, and then replace it with an appliance bulb of the same size and shape and wattage. Refer to the chart in this section.
4. Reinstall the light shield.
5. Plug in or reconnect power.

## POWER FAILURE

If there is a power failure, do not open the freezer door. Frozen food should not be affected if the power is restored within several hours.

If power is out for an extended period of time, check the food for thawing.

## VACATION AND MOVING

### VACATION

If you will be gone for an extended period of time and do not want to leave your refrigerator on while you are away, prepare it for your absence.

1. Remove all items from the refrigerator and freezer compartments, and use up or freeze elsewhere.
2. Unplug refrigerator or disconnect power.
3. Clean refrigerator. Rinse and dry thoroughly.
4. Clean door and/or drawer gaskets. See "Cleaning."
5. Tape rubber or wood blocks to the top of the door(s) and/or drawer(s) to allow air to circulate inside. This stops odor and mold from building up.

## MOVING

If you are moving your refrigerator to a new home, prepare the appliance for the move.

### ⚠ WARNING

#### Excessive Weight Hazard

Use two or more people to move and install refrigerator. Failure to do so can result in back or other injury.

1. Remove all food from the refrigerator and pack all frozen food in dry ice.
2. Unplug refrigerator.
3. Take out all removable parts, wrap them well, and tape them together so they don't shift and rattle during the move.
4. Raise the leveling legs so they don't scrape the floor. See "Leveling."
5. Tape the doors closed and tape the power cord to the back of the refrigerator.
6. When you get to your new home, see "Reinstalling/ Using Refrigerator Again" to prepare the refrigerator for use.

### REINSTALLING/USING REFRIGERATOR AGAIN

If the refrigerator has been placed in a horizontal or tilted position for any period of time wait 2 to 5 hours before plugging it in to allow the oil to settle into the compressor.

1. Clean refrigerator. See "Cleaning."
2. Place refrigerator in desired location and level. See "Installation Instructions."

### ⚠ WARNING



#### Electrical Shock Hazard

Plug into a grounded 3 prong outlet.  
Do not remove the ground prong from the power cord plug.  
Do not use an adapter.  
Do not use an extension cord.  
Failure to do so can result in death, fire or electrical shock.

3. Plug into a grounded 3 prong outlet.

# TROUBLESHOOTING

First try the solutions suggested here to possibly avoid the cost of a service call.

## OPERATION

PROBLEM	POSSIBLE CAUSE(S)	SOLUTION
Refrigerator does not run.	Refrigerator is unplugged.	Plug into a grounded 3 prong outlet.
	The circuit breaker is tripped/turned floor the fuse is blown.	Reset / Turn on circuit breaker or replace fuse.
	Refrigerator is in defrost mode.	Wait approximately 40 minutes for defrost cycle to end, and the cooling system to restart.
Refrigerator compress or runs frequently or for long periods of time. <b>NOTE: This refrigerator is designed to run for longer periods of time at a lower energy usage.</b>	Refrigerator is first plugged in.	This is normal. Allow 24 hours for the refrigerator to cool down.
	Warm food or large amounts of food added.	This is normal.
	Door is blocked open.	Rearrange or remove items that are keeping the door from closing completely.
	Hot weather or frequent openings	This is normal. Limit door openings
	Temperature control set to coldest setting.	Adjust temperature to a warmer setting.
Refrigerator has an odor.	Food is not sealed or packaged properly.	Reseal packaging. Place an opened box of baking soda in the refrigerator, replace every 3 months.
	Interior needs to be cleaned.	Clean the interior. See "Cleaning."
	Food stored too long.	Dispose of spoiled food.
Light does not come on.	Refrigerator is unplugged.	Plug into a grounded 3 prong outlet.
	LED light is burned out.	Contact a qualified technician to replace the burned out LED.
Doors do not close properly.	Refrigerator is not level.	Level the refrigerator. See "Leveling."
	Door is blocked open.	Rearrange or remove items that are keeping the door from closing completely.
Vibration or rattling	Refrigerator is not resting firmly on floor.	Level the refrigerator. See "Leveling."
It sounds like water is flowing from the refrigerator.	Refrigerant flowing in the lines will make this sound when the compressor starts and stops.	This sound is normal.
	The refrigerator has an automatic de-frosting system. The defrosted water will make this sound.	This sound is normal.
Humming or buzzing sounds	The compressor and fans for cold air circulation can make this sound.	This sound is normal. This sound is normal. If the refrigerator is not level, the sound will be louder.
Cracking or clicking sounds	The interior parts will make this sound as they contract and expand in response to temperature changes.	This sound is normal.

## ICE AND WATER

(With Ice Maker Installed)

PROBLEM	POSSIBLE CAUSE(S)	SOLUTION
<b>The ice maker is not producing ice or ice production is slow.</b>	Refrigerator is not plugged in.	Plug refrigerator into a grounded 3 prong outlet.
	Ice maker is not turned on.	Lower the ice maker control arm to the ON position.
	Ice maker is not plugged into the electrical socket at rear of freezer compartment.	Plug ice maker into socket in rear of freezer compartment.
	Water valve is not connected to the refrigerator wiring harness.	Unplug refrigerator or disconnect power. Remove rear access cover. Plug water valve into wiring harness in bottom of rear compartment.
	Temperature control is not set low enough.	Adjust the temperature control to a colder setting.
	New installation	Wait 24 hours after installation for ice production to begin.
	Refrigerator is not connected to a cold water pipe.	Make sure the refrigerator is connected to a cold water pipe.
	Refrigerator is not connected to water supply or water shutoff valve not opened.	Connect refrigerator to a water supply and turn the water shutoff valve fully open.
	Inadequate water pressure	The water pressure to the home determines the flow into the ice maker.
Water tubing is leaking or there is a kink in the water line.	Check water tubing and connections for leaks and straighten the water source line.	
<b>Water leak in freezer compartment</b>	Fill tube is not aligned with the U cup on the back of the ice maker.	Adjust U tube to direct water into the U cup on the back of the ice maker.
<b>Water leak under refrigerator</b>	Water tubing on the back of the refrigerator is leaking.	Check water supply tubing on back of refrigerator.
	Water valve is leaking.	Disconnect refrigerator from water supply. Remove rear compartment access cover and check connections on the water valve.

## TEMPERATURE AND MOISTURE

PROBLEM	POSSIBLE CAUSE(S)	SOLUTION
<b>Refrigerator or freezer is too warm.</b>	Temperature control is not set cold enough.	Adjust the compartment to a colder setting; allow 24 hours for the temperature to adjust.
	Door opened frequently or left ajar.	Limit door openings. Check for items keeping the door from closing completely.
	Warm food added recently.	Allow time for food and refrigerator to cool.
	Not enough space between the back of the refrigerator and the wall for the air to circulate properly.	Allow 2" (5 cm) space between the back of the refrigerator and the wall.
	Items against rear interior wall are blocking airflow.	Store items only inside the trim of the glass shelves; don't place items against sides of the compartments or directly in front of any vents.
<b>Refrigerator or freezer is too cold.</b>	Temperature control is set too cold.	Adjust temperature to the next less cold setting. Allow 24 hours for temperature to stabilize.

PROBLEM	POSSIBLE CAUSE(S)	SOLUTION
<b>Moisture on exterior/interior of refrigerator</b>	High humidity	This is normal during times of high humidity. Dry surface and adjust temperature to slightly colder setting.
	Door opened frequently or left ajar.	Limit door openings. Check for items keeping the door from closing completely.
	Open container of liquid in refrigerator	Cover or seal container.
<b>Frost or ice crystals on frozen food</b>	Door opened frequently or left ajar.	Limit door openings. Check for items keeping the door from closing completely.
	Items blocking freezer air vents are preventing proper air flow.	Move items away from rear interior wall.
<b>Food freezing in refrigerator</b>	Items placed too close to the air vents.	Move items away from back and top of the refrigerator.
	Temperature control set too cold.	Adjust the temperature to a less cold setting.

FOR MORE HELP, VISIT [HAIERAMERICA.COM](http://HAIERAMERICA.COM) OR CALL THE CONSUMER HELP LINE AT 1-877-337-3639.

## LIMITED WARRANTY

### IN-HOME SERVICE

#### FULL ONE YEAR WARRANTY

12 Months on Parts and Labor

5 Years on Sealed System

For 12 months from the date of original retail purchase, Haier will repair or replace any part free of charge including labor that fails due to a defect in materials or workmanship.

Haier may replace or repair at their sole discretion any part or subsystem including the entire product.

Product must be accessible, without encumbrance and installed properly to receive warranty repair service.

#### LIMITED WARRANTY

**NOTE:** This warranty commences on the date the item was purchased, and the original purchase receipt must be presented to the authorized service representative before warranty repairs are rendered.

**Exceptions:** Commercial Use Warranty

90 days labor from date of original purchase

90 days parts from date of original purchase No other warranty applies.

#### FOR WARRANTY SERVICE

All service must be performed by a Haier authorized service center. For the name and telephone number of the nearest authorized service center, please call 1-877-337-3639.

Before calling please have available the following information:

Model number and serial number of your appliance. The name and address of the dealer you purchased the unit from and the date of purchase.

A clear description of the problem.

A proof of purchase (sales receipt).

**This warranty covers home appliance services within the contiguous United States and Canada and where available in Alaska, Hawaii and Puerto Rico.**

#### What is not covered by this warranty:

Replacement or repair of household fuses, circuit breakers, wiring or plumbing.

A product whose original serial number has been removed or altered.

Any service charges not specifically identified as normal such as normal service area or hours.

Replacement of light bulbs.

Damage incurred in shipping.

Damage caused by improper installation or maintenance.

Damage from misuse, abuse accident, re, flood, or acts of nature.

Damage from service other than an authorized Haier dealer or service center.

Damage from incorrect electrical current, voltage or supply.

Damage resulting from any product modification, alteration or adjustment not authorized by Haier.

Adjustment of consumer operated controls as identified in the owner's manual.

Hoses, knobs, lint trays and all attachments, accessories and disposable parts.

Labor, service transportation, and shipping charges for the removal and replacement of defective parts beyond the initial 12-month period.

Damage from other than normal household use.

Any transportation and shipping charges.

**THIS LIMITED WARRANTY IS GIVEN IN LIEU OF ALL OTHER WARRANTIES, EXPRESSED OR, INCLUDING THE WARRANTIES OF MERCHANTABILITY AND FITNESS FOR A PARTICULAR PURPOSE**

The remedy provided in this warranty is exclusive and is granted in lieu of all other remedies.

This warranty does not cover incidental or consequential damages, so the above limitations may not apply to you. Some states do not allow limitations on how long an implied warranty lasts, so the above limitations may not apply to you.

This warranty gives you specific legal rights, and you may have other rights, which vary from state to state.

Haier America  
Wayne, NJ 07470

## RECORD KEEPING

Thank you for purchasing this Haier product. This user manual will help you get the best performance from your new refrigerator.

For future reference, record the model number, serial number, and the date of purchase. The model/serial number plate is located on the inside wall of the refrigerator.

Staple your proof of purchase to this manual to aid in obtaining warranty service if needed.

---

Model number

---

Serial number

---

Date of purchase

# TABLE DES MATIÈRES

<b>SÉCURITÉ DU RÉFRIGÉRATEUR</b> .....	<b>17</b>
Mise au rebut de votre ancien réfrigérateur .....	18
<b>PIÈCES ET CARACTÉRISTIQUES</b> .....	<b>18</b>
<b>EXIGENCES D'INSTALLATION</b> .....	<b>19</b>
Exigences d'emplacement .....	19
Spécifications électriques .....	19
Spécifications de l'alimentation en eau .....	19
<b>INSTRUCTIONS D'INSTALLATION</b> .....	<b>20</b>
Étape 1 - Déballage du réfrigérateur .....	20
Étape 2 - Inversion du sens d'ouverture de la porte .....	20
Étape 3 - Installation des poignées de porte .....	21
Étape 4 - Installation de l'alimentation en eau .....	23
Étape 5 - Raccordement électrique .....	23
Étape 6 - Nivelier le réfrigérateur .....	23
<b>UTILISATION DU RÉFRIGÉRATEUR</b> .....	<b>23</b>
Circulation d'air .....	23
Commandes de la température .....	24
Machine à glaçons et bac à glaçons .....	24
<b>ENTRETIEN DU RÉFRIGÉRATEUR</b> .....	<b>25</b>
Nettoyage .....	25
Éclairage .....	26
Panne de courant .....	26
Vacances ou le déménagement .....	26
<b>DÉPANNAGE</b> .....	<b>28</b>
Fonctionnement .....	28
Glaçons et eau .....	29
Température et humidité .....	30
<b>GARANTIE LIMITÉE</b> .....	<b>30</b>
<b>DOCUMENTS À CONSERVER</b> .....	<b>31</b>

# SÉCURITÉ DU RÉFRIGÉRATEUR

## Votre sécurité et celle des autres est très importante.

Nous donnons de nombreux messages de sécurité importants dans ce manuel et sur votre appareil ménager. Assurez-vous de toujours lire tous les messages de sécurité et de vous y conformer.



Voici le symbole d'alerte de sécurité.

Ce symbole d'alerte de sécurité vous signale les dangers potentiels de décès et de blessures graves à vous et à d'autres. Tous les messages de sécurité suivront le symbole d'alerte de sécurité et le mot "DANGER," "AVERTISSEMENT" ou "ATTENTION."

Ces mots signifient :

**⚠ DANGER**

Une situation de danger imminent. Vous courez le risque d'un décès ou de blessures graves si vous ne suivez pas immédiatement les instructions.

**⚠ AVERTISSEMENT**

Une situation potentiellement dangereuse qui, si vous ne l'évitez pas, peut provoquer la mort ou des blessures graves.

**⚠ ATTENTION**

Une situation potentiellement dangereuse qui, si vous ne l'évitez pas, peut entraîner des blessures légères à modérées.

Tous les messages de sécurité vous diront quel est le danger potentiel et vous disent comment réduire le risque de blessure et ce qui peut se produire en cas de non-respect des instructions.

## IMPORTANTES INSTRUCTIONS DE SÉCURITÉ

### **⚠ AVERTISSEMENT**

An de réduire le risque d'incendie, de choc électrique, de blessures corporelles ou de dommage lors de l'utilisation du réfrigérateur, il convient d'observer certaines précautions fondamentales, notamment :

- Brancher le cordon d'alimentation dans une prise à 3 alvéoles reliée à la terre.
- Ne pas enlever la prise de liaison à la terre.
- Ne pas utiliser d'adaptateur.
- Ne pas utiliser de rallonge.
- Déconnecter la source de courant électrique avant l'entretien.
- Replacer pièces et panneaux avant de faire la mise en marche.
- Enlever les portes de votre ancien réfrigérateur.
- Utiliser un produit de nettoyage ininflammable.
- Garder les matières et les vapeurs inflammables, telles que l'essence, loin du réfrigérateur.
- Utiliser au moins deux personnes pour déplacer et installer le réfrigérateur.
- Déconnecter la source de courant électrique avant d'installer la machine à glaçons (sur les modèles prêts pour l'installation d'une machine à glaçons uniquement.)

## LIRE ET CONSERVER CES INSTRUCTIONS

# MISE AU REBUT DE VOTRE ANCIEN RÉFRIGÉRATEUR

## ⚠ AVERTISSEMENT

### Risque de suffoquer

Ôter les portes de votre ancien réfrigérateur.

Le non-respect de cette instruction peut causer un décès ou des lésions cérébrales.

**IMPORTANT :** Le problème des enfants pouvant se retrouver coincés et suffocation n'est pas un problème du passé. Un réfrigérateur jeté ou abandonné est encore dangereux, même s'il est laissé abandonné pendant "quelques jours seulement". Si vous vous débarrassez de votre ancien réfrigérateur, veuillez suivre les instructions suivantes pour aider à éviter les accidents.

### Avant de jeter votre ancien réfrigérateur ou congélateur :

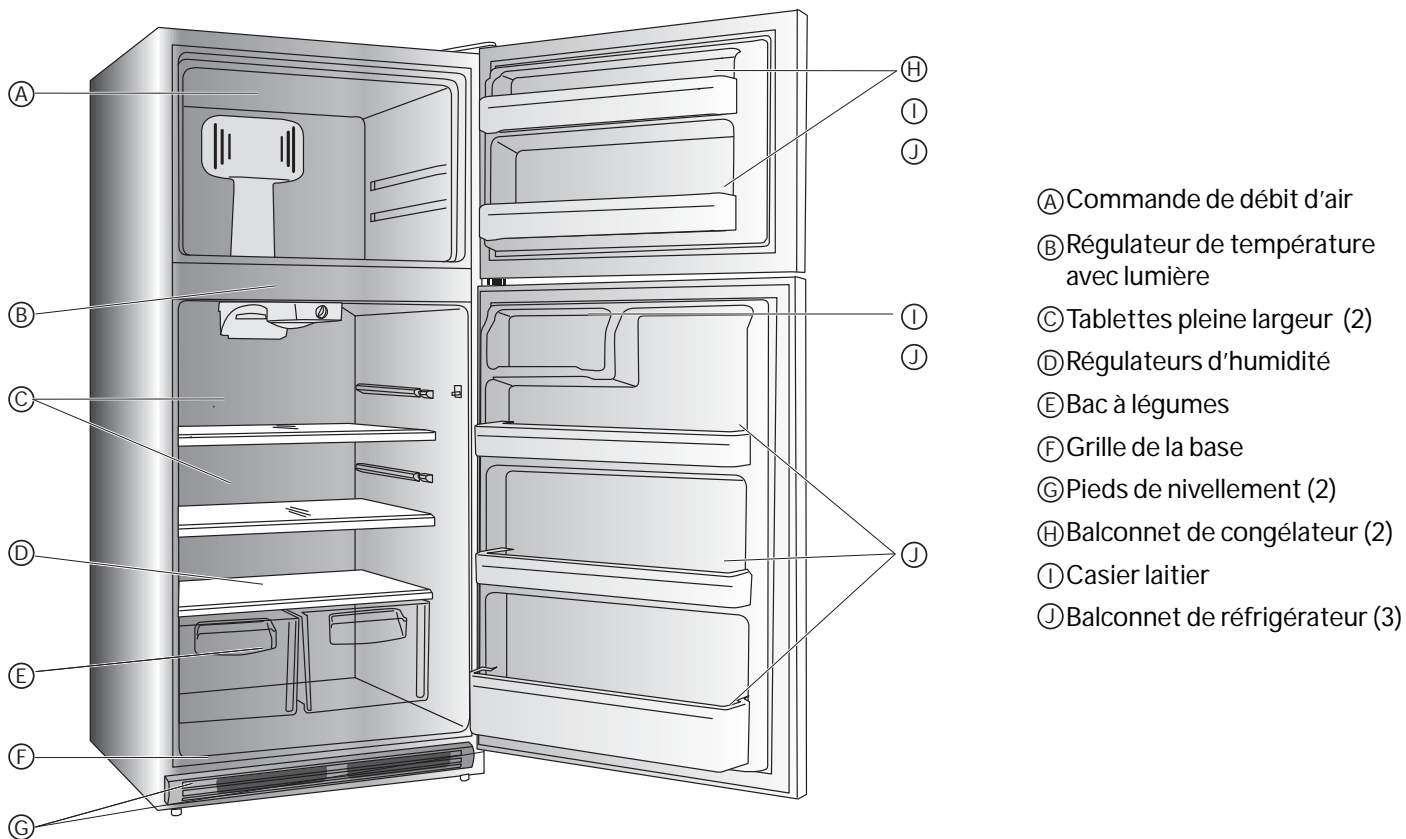
- Ôter les portes.
- Laisser les tablettes en place de sorte que les enfants ne puissent pas y pénétrer facilement.

### Informations importantes à propos de la mise au rebut de réfrigérants :

Mettre le réfrigérateur ou congélateur au rebut en conformité avec la législation fédérale ou locale. Les réfrigérants doivent être évacués par un technicien en réfrigération agréé et certifié EPA en conformité avec les procédures établies.

## PIÈCES ET CARACTÉRISTIQUES

Les caractéristiques ne sont pas toutes oertes sur tous les modèles.



# EXIGENCES D'INSTALLATION

## EXIGENCES D'EMPLACEMENT

### ⚠ AVERTISSEMENT



#### Risque d'explosion

Garder les matériaux et les vapeurs inflammables, telles que l'essence, loin de l'appareil.

Le non-respect de cette instruction peut causer un décès, une explosion ou un incendie.

**IMPORTANT :** Ce réfrigérateur est conçu pour un usage domestique, à l'intérieur uniquement.

Pour une aération appropriée du réfrigérateur, laisser un espace de 2 po (5,08 cm) à l'arrière de l'appareil.

Ce réfrigérateur est conçu pour être utilisé dans un endroit où la température est comprise entre un minimum de 55°F (13°C) et un maximum de 95°F (35°C). La plage de température ambiante idéale pour une performance optimale est comprise entre 60°F (15°C) et 90°F (32°C). Respecter cette plage de température permet aussi de réduire la consommation d'électricité et d'optimiser l'efficacité du refroidissement.

**REMARQUE :** Il est recommandé de ne pas installer le réfrigérateur à un endroit où l'appareil serait exposé à la lumière directe du soleil ou près d'une quelconque source de chaleur, telle qu'un four ou un radiateur.

## SPÉCIFICATIONS ÉLECTRIQUES

### ⚠ AVERTISSEMENT



#### Risque de choc électrique

Brancher sur une prise à 3 alvéoles reliée à la terre.

Ne pas enlever la broche de liaison à la terre du cordon d'alimentation.

Ne pas utiliser un adaptateur.

Ne pas utiliser un câble de rallonge.

Le non-respect de cette instruction pourrait causer un décès, un incendie ou un choc électrique.

Avant de déplacer le réfrigérateur à son emplacement nal, il est important de vous assurer d'avoir le raccordement électrique approprié.

Méthode recommandée de liaison à la terre

Chaque appareil doit être alimenté par un circuit 115 volts (CA seulement, 60 Hz) relié à la terre et protégé par un fusible de capacité 15 A ou 20 A. Il est recommandé d'utiliser un circuit distinct pour alimenter le réfrigérateur uniquement. Utiliser une prise de courant dont l'alimentation ne peut pas être interrompue par un interrupteur. Ne pas utiliser de rallonge.

**REMARQUE :** Avant d'exécuter tout type d'installation, nettoyage ou remplacement d'une ampoule d'éclairage, déconnecter le réfrigérateur de la source de courant électrique. Une fois l'opération terminée, reconnecter le réfrigérateur à la source de courant électrique et remettre les commandes de température au réglage désiré.

## SPÉCIFICATIONS DE L'ALIMENTATION EN EAU

- Accès à une canalisation d'eau froide du domicile avec une pression d'eau comprise entre 20 et 120 lb/po<sup>2</sup>, et non connecté à un système d'adoucissement de l'eau.
- **REMARQUE :** Les produits chimiques en provenance d'un système d'adoucissement peuvent endommager la machine à glaçons, provoquant ainsi un mauvais fonctionnement.
- Une ligne d'alimentation d'eau composée de tuyaux en cuivre de diamètre externe de 1/4 po. Pour déterminer la longueur requise de tuyaux de cuivre, vous devez mesurer la distance entre la soupape d'eau de la machine à glaçons à l'arrière du réfrigérateur jusqu'au tuyau d'eau froide. Ajoutez ensuite environ 2,15 m (7 pi) de façon à ce que le réfrigérateur puisse être déplacé pour l'entretien.

### REMARQUE :

- Les tuyaux en plastique ne sont pas recommandés, car ils augmentent considérablement le risque de fuite d'eau.
- Un robinet d'arrêt pour connecter la ligne d'alimentation d'eau à votre système d'eau résidentiel.
- **REMARQUE :** Ne pas utiliser de robinet d'arrêt du type auto-perçant.
- Un écrou à compression en laiton et virole (manchon) pour connecter la ligne d'alimentation d'eau au robinet d'entrée de la machine à glaçons.

# INSTRUCTIONS D'INSTALLATION

## ÉTAPE 1 - DÉBALLAGE DU RÉFRIGÉRATEUR

### ⚠ AVERTISSEMENT

#### Risque du poids excessif

Utiliser deux ou plus de personnes pour déplacer et installer le réfrigérateur.

Le non-respect de cette instruction peut causer une blessure au dos ou d'autres blessures.

## RETRAIT DES MATÉRIEAUX D'EMBALLAGE

- Enlever tout résidu de ruban adhésif et de colle des surfaces du réfrigérateur avant de le mettre en marche. Frotter une petite quantité de savon liquide à vaisselle sur l'adhésif avec les doigts. Rincer à l'eau tiède et sécher.

**REMARQUE :** Ne pas utiliser d'instruments coupants, d'alcool à friction, de liquides inflammables ou de nettoyeurs abrasifs pour enlever le ruban adhésif ou la colle. Ces produits peuvent endommager la surface du réfrigérateur. Pour plus de renseignements, voir "Sécurité du réfrigérateur".

- Jeter/recycler tous les matériaux d'emballage.

**REMARQUE :** Lors de l'installation initiale, il est normal que la porte du congélateur soit légèrement plus haute que le sommet de la caisse, de telle sorte que le joint adhère correctement une fois la porte du congélateur chargée d'aliments.

### Lors du déplacement de votre réfrigérateur :

Votre réfrigérateur est lourd. Lors du déplacement de votre réfrigérateur pour le nettoyage ou un entretien ou réparation, veiller à recouvrir le plancher avec du carton ou un panneau de bre dur pour éviter qu'il ne subisse tout dommage. Toujours tirer le réfrigérateur tout droit lors du déplacement. Ne pas incliner le réfrigérateur d'un côté ou de l'autre ni le "faire marcher" en essayant de le déplacer car le sol pourrait être endommagé.

## NETTOYAGE AVANT UTILISATION

Après avoir enlevé tous les matériaux d'emballage, nettoyer l'intérieur du réfrigérateur avant de l'utiliser. Voir les instructions de nettoyage dans "Entretien du réfrigérateur".

### Informations importantes à propos des tablettes et des couvercles en verre :

Ne pas nettoyer les tablettes ou les couvercles de verre avec de l'eau tiède lorsqu'ils sont froids. Les tablettes et couvercles peuvent se briser s'ils sont exposés à des changements de températures ou impacts soudains, tels qu'une chute. Le verre trempé est conçu pour se briser en de multiples petits morceaux de la taille de gravillons. Ceci est normal. Les tablettes en verre et les couvercles sont lourds. Les retirer à deux mains pour éviter de les faire tomber.

## ÉTAPE 2 - INVERSION DU SENS D'OUVERTURE DE LA PORTE

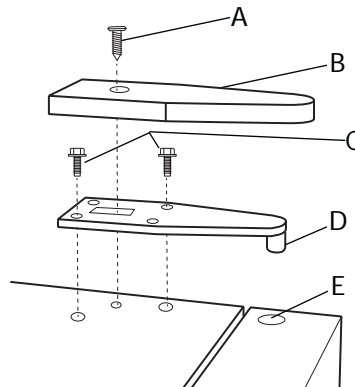
### (Facultatif)

Si l'on souhaite que la porte s'ouvre sur le côté opposé, le sens d'ouverture de la porte peut alors être inversé.

### Outils nécessaires

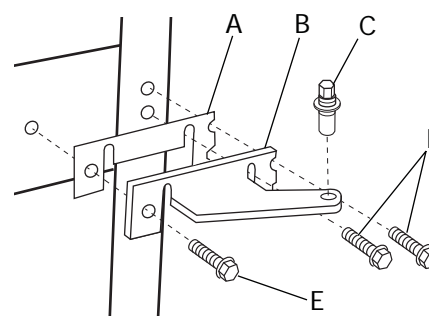
- Tournevis Phillips
- Pince
- Tournevis Torx T25 (Sur certains modèles)
- Clés de 5/16 po à 3/8 po ou clé ajustable

1. Débrancher le réfrigérateur ou déconnecter la source de courant électrique.
2. Enlever la grille de la base si elle est déjà installée.
3. Retirez le couvercle de la charnière supérieure et la charnière supérieure. Soulevez la porte du congélateur de la charnière centrale et mettez-la de côté.



- A - Vis du couvre-charnière
- B - Couvre-charnière
- C - Boulons de charnière
- D - Axe de charnière
- E - Trou de charnière de porte

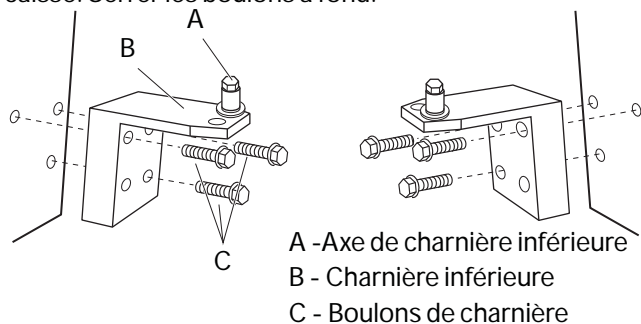
4. Dévisser l'axe de la charnière centrale. Mettre de côté les rondelles en plastique qui seront réutilisées lors de la réinstallation de la porte.
5. Soulever la porte du réfrigérateur pour la dégager de la charnière inférieure, puis la mettre de côté.
6. À l'aide d'une clé ou d'un tournevis T25 Torx, retirer la charnière centrale et l'entretoise en plastique en dévissant le boulon central, en desserrant les boulons latéraux et en faisant glisser la charnière vers le centre de la caisse. Serrer les boulons latéraux.



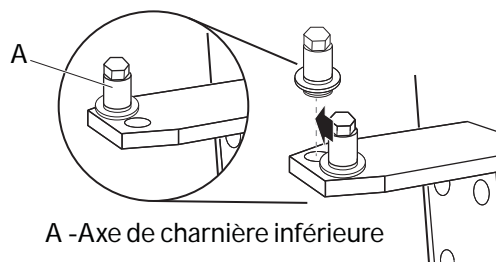
- A - Cale en plastique
- B - Charnière centrale
- C - Axe de charnière centrale
- D - Boulons latéraux
- E - Boulon central

7. De l'autre côté de la caisse, retirer le boulon central et desserrer les boulons latéraux. Faire glisser la charnière centrale et les entretoises derrière les boulons latéraux. Réinstaller le boulon central et serrer les boulons latéraux.

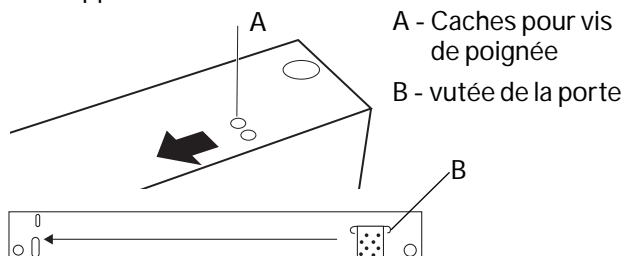
8. Retirer les boulons de la charnière inférieure, puis réinstaller la charnière inférieure sur le côté opposé de la caisse. Serrer les boulons à fond.



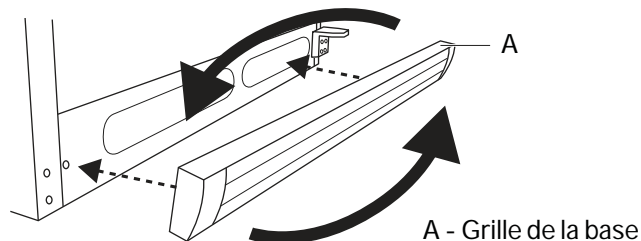
9. Dévisser et ôter la charnière inférieure. Réinstaller l'axe dans le trou de charnière extérieur, puis serrer.



10. Déplacer les butées de porte (bas des deux portes), les couvre-charnières et les caches de vis de poignée, s'ils ont été installés précédemment, sur les deux portes du côté opposé.



11. Placer la porte du réfrigérateur sur l'axe de charnière inférieure. Aligner le trou de la charnière dans la porte avec le trou de la charnière centrale. Insérer l'axe de la charnière centrale et serrer à fond.
12. Placer la porte du congélateur sur l'axe de la charnière centrale et fermer la porte.
13. Insérer l'axe de la charnière supérieure dans le trou de la charnière en haut de la porte. Aligner les trous dans la charnière supérieure avec les trous de charnière sur le haut de la caisse. Insérer les boulons de charnière et serrer à fond. Réinstaller le couvre-charnière supérieur.
14. Retourner la grille de la base, puis la réinstaller.

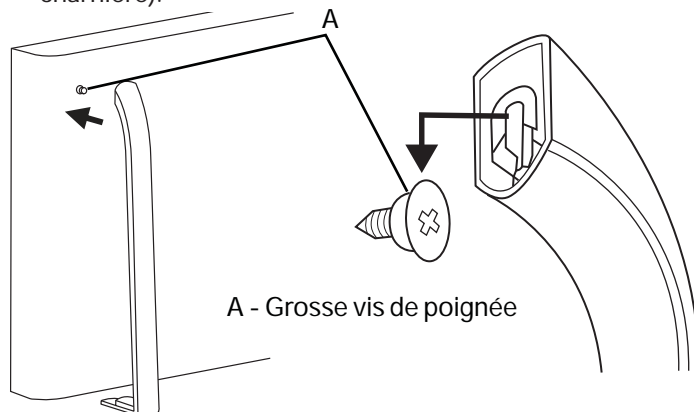


15. Retirer les poignées de porte (si elles ont été antérieurement installées), puis les réinstaller sur le côté opposé. Voir la section "Installation des poignées de porte".
16. Retourner la grille de la base, puis la réinstaller.

## ÉTAPE 3 - INSTALLATION DES POIGNÉES DE PORTE

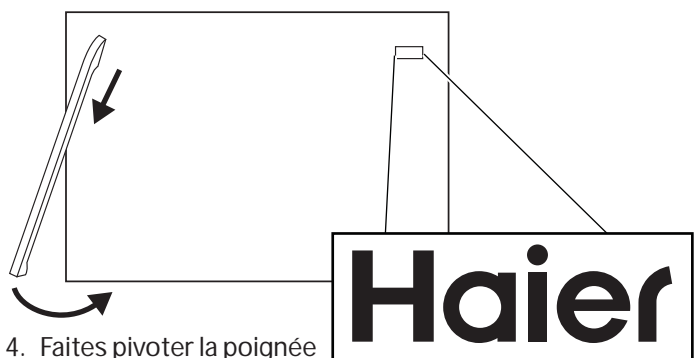
Suivre les instructions relatives au modèle utilisé.

1. Retirer les poignées de porte, l'insigne Haier et les vis des sacs de plastique.
2. Poser une grosse vis de poignée sur la face des portes de congélateur et de réfrigérateur. L'emplacement de la vis correspond au côté poignée de la porte (à l'opposé de la charnière).

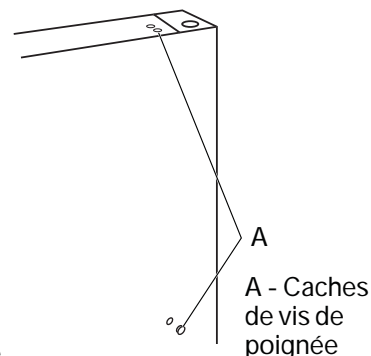
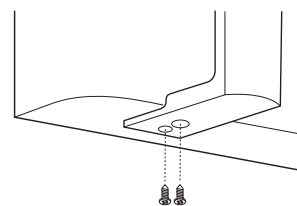


3. Placer l'extrémité évasée de la poignée sur la vis de montage, sur la face avant de la porte. Faire glisser la poignée vers le bas pour la serrer sur la vis de montage (poignée de plastique seulement).

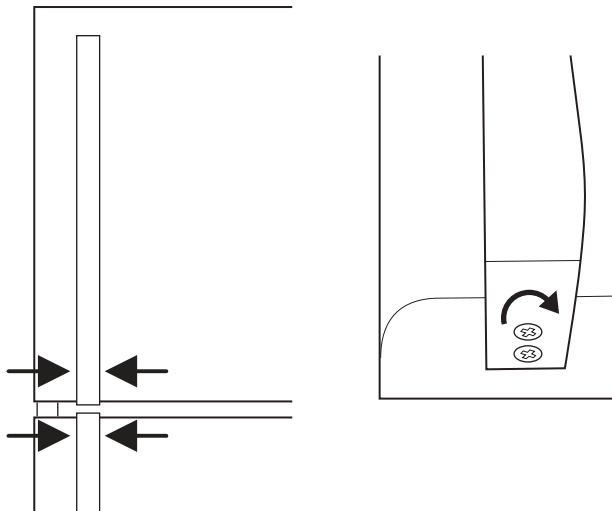
**REMARQUE :** Il peut être nécessaire de légèrement desserrer la vis de montage si la poignée glisse difficilement.



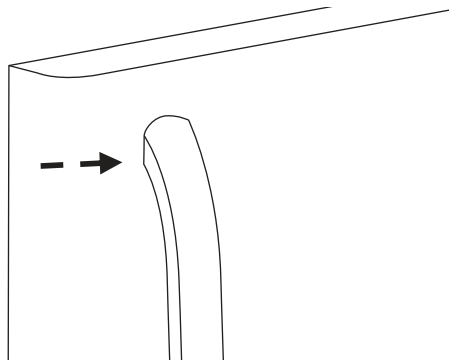
4. Faites pivoter la poignée de porte vers l'espace entre les portes.
5. Aligner les trous de l'extrémité plate de la poignée avec les trous sur le bord inférieur de la porte, puis serrer avec les 2 petites vis (fournies). **NE PAS** serrer complètement les vis.
6. Poser l'insigne Haier sur la porte du congélateur sur le dessus du trou de vis ouvert du côté opposé de la poignée.
7. Poser un cache de vis de poignée sur la porte du réfrigérateur dans le trou de vis ouvert du côté opposé de la poignée. Poser deux caches de vis de poignée sur le dessus de la porte du réfrigérateur près de la charnière centrale.



8. Répéter les étapes 1 à 6 pour poser la poignée sur l'autre porte.
9. Une fois les deux poignées montées, les aligner.
10. Ouvrir légèrement la porte, puis serrer complètement les vis.



11. Pour les poignées en acier inoxydable, utiliser la clé hexagonale fournie pour serrer la vis de serrage dans l'extrémité évasée de la poignée. Continuer de serrer jusqu'à ce que la poignée soit en affleurement avec la porte, puis serrer en effectuant un demi-tour supplémentaire.



## ÉTAPE 4 - INSTALLATION DE L'ALIMENTATION EN EAU

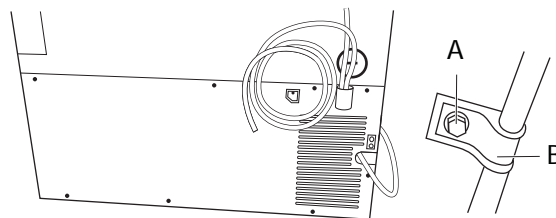
### IMPORTANT :

Cette installation de l'alimentation en eau n'est pas couverte par la garantie du fabricant du réfrigérateur ou de la machine à glaçons. Veuillez suivre ces directives attentivement afin de minimiser les risques de dommages importants causés par l'eau.

**N'installez pas de tuyaurie d'alimentation à des endroits où la température chute sous le point de congélation.**

1. Débrancher le réfrigérateur ou déconnecter la source de courant électrique.
2. Fermez l'alimentation en l'eau à l'aide du robinet d'arrêt.
3. Retirer le couvercle d'accès au compartiment du compresseur situé à l'arrière.
4. Raccordez la conduite d'alimentation en eau en cuivre à la canalisation d'eau de la maison.
5. Un écrou à compression en laiton et virole (manchon) pour connecter la ligne d'alimentation d'eau au robinet d'entrée de la machine à glaçons.
6. Ouvrez l'alimentation d'eau et serrez toute connexion qui fuit.
7. Réinstallez le couvercle d'accès arrière du compartiment du compresseur.
8. Enroulez la ligne d'alimentation d'eau excédentaire à l'arrière du réfrigérateur, tel que montré ci-dessous et placez le rouleau de façon à ce qu'il ne vibre pas et qu'il ne s'use pas au contact d'autres surfaces.

**REMARQUE :** Utilisez un collier de serrage de tuyau d'eau et une vis no 8 du sac de pièces inclus pour serrer la conduite d'alimentation en eau à l'arrière du réfrigérateur.



A - Vis # 8

B - Collier de l'alimentation

## ÉTAPE 5 - RACCORDEMENT ÉLECTRIQUE

### ⚠ AVERTISSEMENT



#### Risque de choc électrique

Brancher sur une prise à 3 alvéoles reliée à la terre.

Ne pas enlever la broche de liaison à la terre du cordon d'alimentation.

Ne pas utiliser un adaptateur.

Ne pas utiliser un câble de rallonge.

Le non-respect de cette instruction pourrait causer un décès, un incendie ou un choc électrique.

1. Brancher sur une prise à 3 alvéoles reliée à la terre.
2. Laisser le réfrigérateur refroidir pendant plusieurs heures avant d'y ajouter des aliments.

## ÉTAPE 6 - NIVELER LE RÉFRIGÉRATEUR

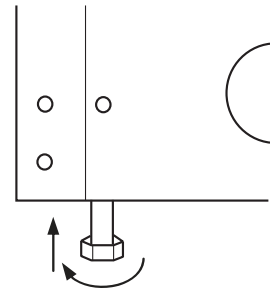
(si nécessaire)

Le réfrigérateur doit être d'aplomb pour une performance et un aspect optimaux, et pour éviter les vibrations et le bruit excessifs.

1. Déplacer le réfrigérateur jusqu'à son emplacement défini sur un plancher plat et régulier.
2. Tourner le pied de nivellement pour soulever ou abaisser le côté du réfrigérateur qui doit être ajusté.

**REMARQUE :** Le fait d'exercer une pression contre le dessus du réfrigérateur permet d'alléger le poids appliqué aux pieds de nivellement. Ceci facilite le réglage des pieds.

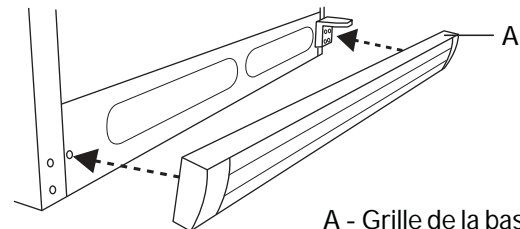
3. Tourner les deux pieds de devant de la même distance (6 mm [¼ po]) pour relever légèrement l'avant du



réfrigérateur.

**REMARQUE :** Si l'avant du réfrigérateur est légèrement relevé, il est plus facile pour les portes de correctement fermer de manière hermétique.

4. Installer la grille de la base, comme illustré.



A - Grille de la base

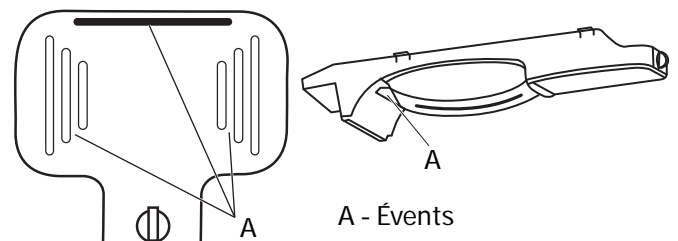
## UTILISATION DU RÉFRIGÉRATEUR

### CIRCULATION D'AIR

Pour assurer une circulation d'air adéquate à l'intérieur du réfrigérateur, ne pas ranger les articles comme suit :

- Directement devant les événements inférieurs du ventilateur du congélateur
- Directement sous l'événement du réfrigérateur
- Contre les parois latérales du compartiment de réfrigération

**REMARQUE :** Placer les articles vers le centre des tablettes.



A - Événements

## COMMANDES DE LA TEMPÉRATURE

Les deux compartiments, de réfrigération et de congélation, disposent d'un cadran de réglage de la température. Toutefois, régler la commande du compartiment de réfrigération affectera également la température du compartiment de congélation.

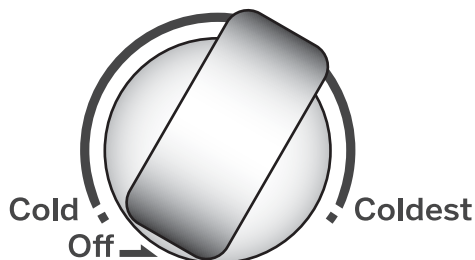
**IMPORTANT :** Tourner n'importe laquelle des commandes sur OFF (arrêt) ou sur le réglage de température le moins élevé ne débranche pas le réfrigérateur de l'alimentation électrique.

- Le réglage recommandé doit être correct pour une utilisation domestique normale du réfrigérateur.
- Lorsque le réfrigérateur est branché pour la première fois, une période de 12 heures maximum est nécessaire pour atteindre la température recommandée. Attendre 24 heures pour que le réfrigérateur refroidisse complètement avant d'y placer des aliments. Si l'on ajoute des aliments avant que le réfrigérateur ne soit complètement refroidi, les aliments risquent de s'abîmer.
- Si la température est trop tiède ou trop froide dans le réfrigérateur ou le congélateur, vérifier d'abord les événements pour s'assurer qu'ils ne sont pas bloqués, avant de régler les commandes. Voir la section "Circulation d'air".

### COMPARTIMENT DE RÉFRIGÉRATION

La commande de température du compartiment de réfrigération doit être réglée en position "13 heures". Une fois 24 heures écoulées, la commande peut être réglée par petits incréments pour atteindre la température désirée.

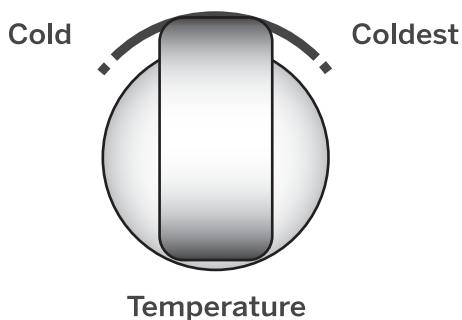
**REMARQUE :** Attendre 24 heures entre chaque réglage pour que la température puisse se stabiliser.



### COMPARTIMENT DE CONGÉLATION

La commande de température du compartiment de congélation doit être réglée en position "12 heures". Une fois 24 heures écoulées, la commande peut être réglée par petits incréments pour atteindre la température désirée.

**REMARQUE :** Attendre 24 heures entre chaque réglage pour que la température puisse se stabiliser.



## MACHINE À GLAÇONS ET BAC À GLAÇONS

(Sur certains modèles)

### IMPORTANT :

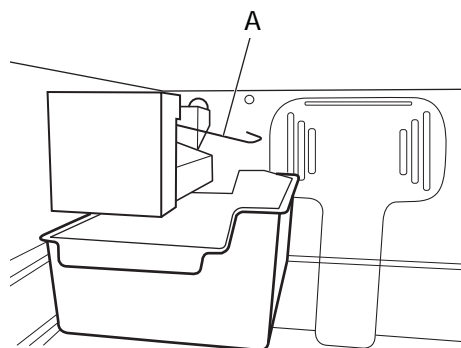
- Gardez le bras à I à la position d'arrêt jusqu'à ce que le réfrigérateur soit branché à une alimentation en eau ou lorsque l'alimentation en eau est coupée.
- La machine à glaçons prend environ 24 heures pour commencer à produire des glaçons.
- Une nouvelle plomberie peut causer de la décoloration de la glace et un mauvais goût. Jetez les glaçons produits dans les 24 premières heures.
- La qualité de l'eau détermine la qualité des glaçons. Ne branchez pas la machine à glaçons à de l'eau adoucie. Les produits chimiques en provenance d'un adoucisseur défectueux peuvent endommager la machine à glaçons.
- Les glaçons peuvent développer un goût étrange lorsqu'ils sont entreposés pendant trop longtemps. Vider et nettoyer le bac à glaçons. Mettez en MARCHÉ la machine à glaçons pour en fabriquer de nouveaux.

**REMARQUE :** Ne pas laver le contenant de glaçons dans le lave-vaisselle.

### MISE EN MARCHÉ/ARRÊT DE LA MACHINE À GLAÇONS

- Abaisser le bras de commande en I métallique pour mettre la machine à glaçons en MARCHÉ.
- **REMARQUE :** La machine à glaçons s'éteint automatiquement lorsque le bac est plein.
- Soulever le bras de commande en I métallique jusqu'à ce qu'il soit en position de verrouillage, pour ÉTEINDRE la machine à glaçons.

**REMARQUE :** ÉTEINDRE la machine à glaçons lors du nettoyage du congélateur ou en cas de départ en vacances. Si la machine à glaçons doit être éteinte pendant une période prolongée, fermer le robinet d'alimentation en eau.



A - Bras de commande en I métallique

# ENTRETIEN DU RÉFRIGÉRATEUR

## NETTOYAGE

Les sections de réfrigération et de congélation se dégivrent automatiquement. Toutefois, nettoyer les deux compartiments environ une fois par mois afin d'éviter une accumulation d'odeurs. Essuyer les renversements immédiatement.

Comme l'air circule entre les deux sections, toutes les odeurs formées dans une section seront transférées à l'autre. Les deux sections doivent être nettoyées avec soin pour éliminer les odeurs. Pour éviter le transfert d'odeurs et l'assèchement des aliments, envelopper ou recouvrir hermétiquement les aliments.

### ⚠ AVERTISSEMENT



#### Risque d'explosion

Utiliser un produit de nettoyage ininflammable.  
Le non-respect de cette instruction peut causer un décès, une explosion ou un incendie.

### IMPORTANT :

- Ne pas utiliser de produits chimiques corrosifs, d'ammoniac, d'agent de blanchiment, de détergents concentrés, de solvant ou de tampons à recurer métalliques ou abrasifs pour nettoyer l'intérieur ou l'extérieur du réfrigérateur. Ceux-ci peuvent endommager et/ou décolorer le ni du réfrigérateur.
- Ne passer aucune pièce au lave-vaisselle.
- Ne pas nettoyer les tablettes de verre à l'eau chaude lorsque celles-ci sont encore froides. Le verre peut se briser lorsqu'il est exposé à un impact ou à un changement brusque de température.

### ⚠ AVERTISSEMENT



#### Risque de choc électrique

Débrancher votre appareil ou déconnecter la source de courant électrique avant de le nettoyer.  
Le non-respect de cette instruction peut causer un décès, un choc électrique ou blessures.

1. Débrancher le réfrigérateur ou déconnecter la source de courant électrique.
2. Nettoyer l'intérieur. Laver à la main, rincer et sécher les pièces amovibles et les surfaces internes soigneusement. Utiliser une éponge propre ou un linge doux et un détergent doux dans de l'eau tiède.
3. Nettoyer les surfaces extérieures.

**Métal peint :** Laver les parties métalliques extérieures à l'aide d'un chiffon ou d'une éponge douce et propre et d'un détergent doux dans de l'eau tiède. Rincer les surfaces avec une eau propre et tiède et sécher immédiatement afin d'éviter d'éventuelles taches laissées par l'eau.

**Acier inoxydable :** L'acier inoxydable est résistant à la corrosion et non anti corrosion. Pour éviter la corrosion sur l'acier inoxydable, laver les surfaces en acier inoxydable à l'aide d'un chiffon ou d'une éponge douce et propre et d'un détergent doux dans de l'eau tiède. Rincer les surfaces avec une eau propre et tiède et sécher immédiatement afin d'éviter d'éventuelles taches laissées par l'eau.

**REMARQUE :** Acier inoxydable : L'acier inoxydable est résistant à la corrosion et non anti corrosion. Pour éviter la corrosion sur l'acier inoxydable, laver les surfaces en acier inoxydable à l'aide d'un chiffon ou d'une éponge douce et propre et d'un détergent doux dans de l'eau tiède. Rincer les surfaces avec une eau propre et tiède et sécher immédiatement afin d'éviter d'éventuelles taches laissées par l'eau.

**REMARQUE :** Lors du nettoyage de l'acier inoxydable, toujours frotter dans le sens du grain afin d'éviter d'effleurer la surface.

4. Nettoyer les joints de porte tous les 3 mois. Laver les joints à l'aide d'une éponge propre ou d'un linge doux et un détergent doux dilué dans de l'eau tiède. Rincer soigneusement et bien sécher. Appliquer un peu de vaseline sur les joints côté charnière maintiendra la souplesse du joint et garantira une bonne étanchéité.
5. Brancher le réfrigérateur ou reconnecter la source de courant électrique.

## ÉCLAIRAGE

Selon le modèle, les lampes des compartiments de réfrigération et de congélation peuvent utiliser soit des blocs (modules) DEL, des ampoules DEL ou des ampoules à incandescence. Suivre les instructions relatives au modèle utilisé.

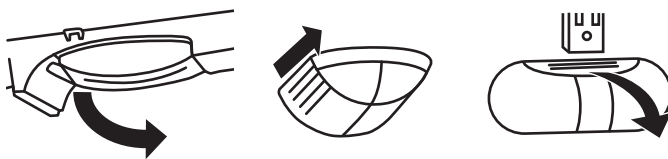
### IMPORTANT :

- Certaines ampoules de rechange DEL ne sont pas recommandées dans les environnements humides ou mouillés. Le réfrigérateur et le congélateur sont considérés comme de tels environnements. Si vous utilisez une marque d'ampoule DEL différente de celle recommandée, avant de la poser, lisez et suivez les instructions sur l'emballage.
- Si une ampoule à incandescence est utilisée pour remplacer une ampoule DEL, utilisez uniquement des ampoules à incandescence pour usage domestique dont la puissance électrique est comme suit :

Type	Lampe supérieure du réfrigérateur	Éclairage du bac à légumes du réfrigérateur et du congélateur (sur certains modèles)
Ampoule à incandescence	Ampoule Lumière du jour de 40 watts pour appareils électroménagers avec culot de taille moyenne (1 ou 2 ampoules selon le modèle)	Ampoule de 25 watts pour appareils électroménagers avec culot de type candélabre
Ampoule DEL	Ampoule DEL de 5 watts (ou équivalent à une ampoule à incandescence de 40 watts) avec un culot de taille moyenne	Ampoule DEL de 1,2 watts (ou équivalent à une ampoule à incandescence de 25 watts) avec un culot de type candélabre
Blocs d'éclairage à DEL	Si le réfrigérateur est doté de blocs d'éclairage à DEL, ces lampes sont conçues pour fonctionner pendant toute la durée de vie du réfrigérateur. Toutefois, si l'éclairage s'arrête de fonctionner, contacter un technicien qualifié pour effectuer le remplacement.	

### Pour remplacer l'ampoule :

1. Débrancher le réfrigérateur ou déconnecter la source de courant électrique.
2. Retirer le protège-ampoule (certains modèles).



3. Après avoir laissé l'ampoule refroidir, retirer l'ampoule grillée, puis la remplacer par une ampoule pour appareils électroménagers de la même taille, forme et puissance. Consulter le tableau dans cette section.
4. Réinstaller le protège-ampoule.
5. Brancher l'appareil ou reconnecter la source de courant électrique.

## PANNE DE COURANT

En cas de panne de courant, ne pas ouvrir la porte du congélateur. Les aliments congelés ne devraient pas être affectés si l'électricité est rétablie dans les heures qui suivent.

En cas de panne de courant prolongée, vérifier que les aliments ne sont pas décongelés.

## VACANCES OU LE DÉMÉNAGEMENT

### VACANCES

Si l'on prévoit de s'absenter pendant une longue période et que l'on ne souhaite pas laisser le réfrigérateur en marche pendant tout ce temps, il faut alors le préparer pour cette absence.

1. Enlever tous les aliments du réfrigérateur et du congélateur.
2. Débrancher le réfrigérateur ou déconnecter la source de courant électrique.
3. Nettoyer le réfrigérateur. Rincer et bien le sécher.
4. Nettoyer les joints de porte et/ou des tiroirs. Voir la section "Nettoyage".
5. À l'aide de ruban adhésif, xer du caoutchouc ou des blocs de bois en haut de la ou des portes et/ou du ou des tiroirs pour permettre à l'air de circuler à l'intérieur. Cela empêchera l'accumulation d'odeurs et de moisissures.

## DÉMÉNAGEMENT

En cas de déménagement et de déplacement du réfrigérateur dans une nouvelle habitation, suivre ces étapes pour préparer le déménagement.

### ⚠ AVERTISSEMENT

#### Risque du poids excessif

Utiliser deux ou plus de personnes pour déplacer et installer le réfrigérateur.

Le non-respect de cette instruction peut causer une blessure au dos ou d'autres blessures.

1. Retirer tous les aliments du réfrigérateur et placer tous les aliments congelés dans de la neige carbonique.
2. Débrancher le réfrigérateur.
3. Retirer toutes les pièces amovibles, bien les envelopper et les attacher ensemble avec du ruban adhésif pour qu'elles ne bougent ou ne s'entrechoquent pas durant le déménagement.
4. Soulever les pieds de nivellement pour qu'ils n'éraflent pas le sol. Voir "Nivellement".
5. Utiliser du ruban adhésif pour maintenir les portes fermées et xer le cordon d'alimentation à l'arrière du réfrigérateur.
6. Lorsque vous arriverez à votre nouveau domicile, remettez tout en place et consultez la section "Réinstallation/réutilisation du réfrigérateur" pour les instructions de préparation.

## RÉINSTALLATION/RÉUTILISATION DU RÉFRIGÉRATEUR

Si le réfrigérateur a été placé en position horizontale ou incliné pendant un moment, attendre 2 à 5 heures avant de le brancher pour que l'huile se remette en place dans le compresseur.

1. Nettoyer le réfrigérateur. Voir "Nettoyage".
2. Placer le réfrigérateur à l'emplacement souhaité et régler son aplomb. Voir "Instructions d'installation".

### ⚠ AVERTISSEMENT



#### Risque de choc électrique

Brancher sur une prise à 3 alvéoles reliée à la terre.

Ne pas enlever la broche de liaison à la terre du cordon d'alimentation.

Ne pas utiliser un adaptateur.

Ne pas utiliser un câble de rallonge.

Le non-respect de cette instruction pourrait causer un décès, un incendie ou un choc électrique.

3. Brancher sur une prise à 3 alvéoles reliée à la terre.

# DÉPANNAGE

Essayez tout d'abord les solutions suggérées ici et évitez les coûts pour le service de réparation.

## FONCTIONNEMENT

PROBLÈME	CAUSE(S) POSSIBLE(S)	SOLUTION
<b>Le réfrigérateur ne fonctionne pas.</b>	Le réfrigérateur est débranché.	Brancher sur une prise à 3 alvéoles reliée à la terre.
	Le fusible est grillé ou un disjoncteur est ouvert.	Ré-enclencher le disjoncteur ou remplacer le fusible.
	Le réfrigérateur est en mode de dégivrage.	Attendre environ 40 minutes que le programme de dégivrage se termine et que le système de refroidissement redémarre.
<b>Le compresseur du réfrigérateur se met en route souvent ou pendant des périodes prolongées.</b> <b>REMARQUE : Ce réfrigérateur a été conçu pour fonctionner pendant des périodes prolongées avec une consommation d'énergie inférieure.</b>	Le réfrigérateur est branché pour la première fois.	Ceci est normal. Accorder 24 heures pour que le réfrigérateur refroidisse.
	Des aliments chauds ou de grosses quantités d'aliments ont été ajoutés.	Ceci est normal.
	Quelque chose bloque la fermeture de la porte.	Réorganiser ou supprimer des éléments qui empêchent la porte de se refermer complètement.
	Temps chaud ou ouvertures fréquentes.	Ceci est normal. Ne pas ouvrir la porte fréquemment.
	Commande de la température au réglage le plus froid.	Ajuster la température à un réglage plus chaud.
<b>Le réfrigérateur a une odeur</b>	Les emballages alimentaires ne sont pas étanches ou les aliments ne sont pas emballés correctement.	Refermer hermétiquement les emballages. Placer une boîte ouverte de bicarbonate de soude dans le réfrigérateur, remplacer tous les 3 mois.
	L'intérieur a besoin d'être nettoyé.	Nettoyer l'intérieur. Voir "Nettoyage".
	Les aliments ont été conservés trop longtemps.	Jeter les aliments abîmés.
<b>La lumière ne s'allume pas</b>	Le réfrigérateur est débranché.	Brancher sur une prise à 3 alvéoles reliée à la terre.
	L'ampoule DEL est grillée.	Contactez un technicien qualifié pour remplacer l'ampoule DEL grillée.
<b>Les portes ne ferment pas correctement</b>	Le réfrigérateur n'est pas de niveau.	Niveler le réfrigérateur. Voir "Nivellement".
	Quelque chose bloque la fermeture de la porte.	Réorganiser ou supprimer des éléments qui empêchent la porte de se refermer complètement.
<b>Vibration ou cliquetis</b>	Son donnant l'impression que de l'eau s'écoule du réfrigérateur.	Niveler le réfrigérateur. Voir "Nivellement".
<b>Son donnant l'impression que de l'eau s'écoule du réfrigérateur.</b>	Ce son est émis par le réfrigérant qui s'écoule dans les canalisations lorsque le compresseur se met en marche et s'arrête.	Ceci est normal.
	Le réfrigérateur est équipé d'un système de dégivrage automatique. Ce son est émis par l'eau dégivrée.	Ceci est normal.
<b>Roulement ou bourdonnement</b>	Ce son peut être émis par le compresseur et les ventilateurs servant à la circulation de l'air froid.	Ceci est normal. Si le réfrigérateur n'est pas d'aplomb, le son sera plus fort.
<b>Craquements ou cliquetis</b>	Ce son est émis par les parties intérieures lorsqu'elles se contractent ou se dilatent en réponse à des changements de température.	Ceci est normal.

# GLAÇONS ET EAU

(Avec machine à glaçons installée)

PROBLÈME	CAUSES POSSIBLES	SOLUTION
<b>La machine à glaçons ne produit pas ou pas suffisamment de glaçons ou les glaçons sont creux</b>	Le réfrigérateur n'est pas branché.	Brancher le réfrigérateur sur une prise à 3 alvéoles reliée à la terre.
	La machine à glaçons n'est pas allumée.	Abaissez le bras de contrôle de la machine à glaçons à l'ON position.
	La machine à glaçons n'est pas raccordée à la prise électrique située à l'arrière du compartiment décongélation.	Brancher la machine à glaçons sur la prise électrique située à l'arrière du compartiment décongélation.
	Le robinet de prise d'eau n'est pas raccordé au faisceau de câblage du réfrigérateur.	Débrancher le réfrigérateur ou déconnecter la source de courant électrique. Retirer le couvercle d'accès à l'arrière. Raccorder le robinet de prise d'eau dans le faisceau de câblage au bas du compartiment arrière.
	La commande de température n'a pas été réglée à un point assez bas	Régler la commande de température à un réglage plus froid.
	Le réfrigérateur vient d'être installé.	Attendre 24 heures après l'installation de la machine à glaçons pour que la production de glaçons commence.
	Réfrigérateur est pas connecté à un tuyau d'eau froide.	S'assurer que le réfrigérateur est raccordé à la canalisation d'arrivée d'eau froide.
	Le réfrigérateur n'est pas raccordé à l'alimentation en eau ou le robinet d'arrêt d'eau n'est pas ouvert.	Brancher le réfrigérateur à l'alimentation en eau et ouvrir le robinet d'arrêt d'eau complètement.
	Cela indique une faible pression de l'eau.	La pression de l'eau du domicile détermine l'écoulement d'eau dans la machine à glaçons.
	La tuyauterie d'alimentation en eau fuit ou la conduite d'eau est pliée.	Vérifier la tuyauterie d'alimentation en eau et les raccords à la recherche de fuites et redresser la conduite d'eau.
<b>Fuite d'eau dans le compartiment décongélation</b>	Le tube de remplissage n'est pas aligné avec la coupelle de remplissage située à l'arrière de la machine à glaçons.	Ajuster le tube de remplissage pour diriger l'eau dans la coupelle de remplissage située à l'arrière de la machine à glaçons.
<b>Fuite d'eau sous le réfrigérateur</b>	La tuyauterie d'alimentation en eau fuit à l'arrière du réfrigérateur.	Vérifier la tuyauterie d'alimentation en eau à l'arrière du réfrigérateur.
	Le robinet de prise d'eau fuit.	Débrancher le réfrigérateur de l'alimentation en eau. Retirer le couvercle d'accès au compartiment arrière et vérifier les raccordements sur le robinet de prise d'eau.

# TEMPÉRATURE ET HUMIDITÉ

PROBLÈME	CAUSE(S) POSSIBLE(S)	SOLUTION
<b>Le réfrigérateur ou le congélateur est trop chaud</b>	La commande de la température n'est pas placée à un réglage suffisamment bas.	Régler la température du compartiment à un réglable plus froid; attendre 24 heures que la température s'ajuste.
	La porte est ouverte fréquemment ou entrouverte.	Ne pas ouvrir la porte fréquemment. Vérifiez pour les articles en gardant la porte de se refermer complètement.
	Des aliments tièdes ont été ajoutés récemment.	Attendre que les aliments et le réfrigérateur aient refroidi.
	Il n'y a pas assez d'espace entre l'arrière du réfrigérateur et le mur.	Laisser un espace libre d'au moins 2" (5 cm) entre l'arrière du réfrigérateur et le mur.
	Les articles dans le fond des compartiments empêchent l'air de circuler correctement.	Ranger les articles à l'intérieur des bordures des tablettes de verre; ne pas placer d'articles contre les parois des compartiments ou directement devant les ouvertures d'aération.
<b>Le réfrigérateur ou le congélateur est trop froid.</b>	La commande de la température est placée à un réglage trop bas.	Augmenter la température du compartiment à un réglage inférieur (plus chaud) suivant; attendre 24 heures que la température s'ajuste.
<b>Humidité sur l'extérieur/l'intérieur du réfrigérateur.</b>	Fortes présence d'humidité.	Ceci est normal en périodes d'humidité élevée. Sécher la surface et placer la commande de la température à un réglage légèrement plus froid.
	La porte est ouverte fréquemment ou entrouverte.	Ne pas ouvrir la porte fréquemment. Vérifiez pour les articles en gardant la porte de se refermer complètement.
	Récipient de liquide ouvert dans le réfrigérateur.	Couvrir ou fermer le récipient hermétiquement.
<b>Givre ou cristaux de glace sur les aliments surgelés.</b>	La porte est ouverte fréquemment ou entrouverte.	Ne pas ouvrir la porte fréquemment. Vérifiez pour les articles en gardant la porte de se refermer complètement.
	Des articles bloquent les ouvertures d'aération du congélateur et empêchent l'air de circuler librement.	Retirer les articles de l'arrière et du sommet du réfrigérateur.
<b>La commande de la température est placée à un réglage trop froid.</b>	Aliments placés trop près de l'ouverture d'aération.	Retirer les articles de l'arrière et du sommet du réfrigérateur.
	La commande de la température est placée à un réglage trop froid.	Ajuster la température du congélateur à un réglage moins froid.

POUR OBTENIR DE L'AIDE SUPPLÉMENTAIRE, VISITER [HAIERAMERICA.COM](http://HAIERAMERICA.COM) OU CONTACTER LA LIGNE D'ASSISTANCE À LA CLIENTÈLE AU 1-877-337-3639.

## GARANTIE LIMITÉE

### SERVICE À DOMICILE

### GARANTIE COMPLÈTE D'UN AN

12 mois sur les pièces et la main d'œuvre

5 ans sur le système scellé

Pendant 12 mois à compter de la date d'achat d'origine, Haier réparera ou remplacera gratuitement n'importe quelle pièce (main-d'œuvre comprise) comportant un défaut de matériau ou de fabrication.

Haier peut choisir à sa seule discrétion de remplacer ou réparer des pièces, des sous-systèmes ou le produit tout entier.

Le produit doit être accessible, dégagé et installé correctement pour bénéficier du service de réparation sous garantie.

## GARANTIE LIMITÉE

**REMARQUE :** Cette garantie prend effet à la date à laquelle l'article a été acheté et le reçu de l'achat d'origine doit être présenté au représentant de dépannage autorisé avant qu'une quelconque réparation sous garantie ne soit effectuée.

**Exceptions:** Garantie à usage commercial

**90 jours sur la main-d'œuvre à compter de la date d'achat d'origine**

**90 jours sur les pièces à compter de la date d'achat d'origine. Aucune autre garantie ne s'applique.**

### SERVICE AU TITRE DE LA GARANTIE

Contactez le centre de dépannage autorisé le plus proche. Tout dépannage doit être effectué par un centre de dépannage autorisé Haier. Pour le nom et le numéro de téléphone du centre de dépannage autorisé le plus proche de votre domicile, composez le 1-877-337-3639.

Avant d'appeler le centre, veuillez garder à disposition les renseignements suivants :

Numéros de plaque signalétique de l'appareil. Le nom et l'adresse du revendeur auprès duquel vous avez acheté l'appareil, ainsi que la date d'achat.

Une description claire du problème rencontré.

Une preuve d'achat (reçu de vente).

**Cette garantie est valable pour le service des appareils domestiques aux États-Unis contigus et au Canada et lorsque le service est disponible, en Alaska, à Hawaï et Porto Rico.**

#### **Cette garantie ne couvre pas :**

Le remplacement ou la réparation des fusibles, disjoncteurs, du câblage ou du circuit de plomberie du domicile.

Un produit dont le numéro de série d'origine a été enlevé ou modifié.

Tous frais de dépannage non identifiés comme étant normaux tel un dépannage dans une zone ou une tranche horaire normale.

Remplacement des ampoules.

Les dommages liés à l'expédition.

Les dommages liés à une installation ou un entretien inadapté.

Les dommages causés par l'un des éléments suivants : Mauvaise utilisation, utilisation abusive, accident, incendie ou catastrophe naturelle.

Les dommages résultant d'un dépannage fourni par une entité autre qu'un revendeur ou centre de dépannage autorisé Haier.

Les dommages causés par un courant, une tension ou une alimentation électrique incorrects.

Les dommages résultant d'une quelconque modification ou altération du produit ou d'un ajustement non autorisé par Haier.

Un ajustement des commandes utilisées par le consommateur tel qu'identifié dans le manuel de l'utilisateur. Les tuyaux, boutons, plateaux à charpie et tout accessoire ou pièce jetable.

Les frais de main-d'œuvre, transport pour dépannage et d'expédition pour le retrait et le remplacement de pièces défectueuses au-delà de la période de 12 mois.

Les dommages liés à une utilisation autre qu'une utilisation domestique normale.

Tout frais de transport et d'expédition.

**CETTE GARANTIE LIMITÉE REMPLACE TOUTE AUTRE GARANTIE EXPRESSE OU IMPLICITE, Y COMPRIS, MAIS PAS SEULEMENT, LES GARANTIES IMPLICITES, Y COMPRIS LES GARANTIES DE QUALITÉ MARCHANDE OU D'APTITUDE À UN USAGE PARTICULIER**

Le recours offert dans cette garantie est exclusif et se substitue à toute autre garantie.

Cette garantie ne couvre pas les dommages fortuits ou indirects; aussi les limitations décrites ci-dessus peuvent ne pas s'appliquer à votre cas. Certains États ne permettent pas de limitation sur la durée d'une garantie implicite, aussi les limitations décrites ci-dessus peuvent ne pas s'appliquer à votre cas.

Cette garantie vous confère des droits juridiques spécifiques. Vous pouvez également jouir d'autres droits qui peuvent varier d'un État à l'autre.

Haier America  
Wayne, NJ 07470

## DOCUMENTS À CONSERVER

Merci d'avoir acheté ce produit Haier. Ce manuel d'utilisation vous aidera à obtenir la meilleure performance possible de votre nouveau réfrigérateur.

Pour référence ultérieure, inscrire le numéro de plaque signalétique et la date d'achat. La plaque signalétique est située sur une étiquette à l'intérieur du réfrigérateur.

Pour faciliter l'obtention d'un service sous garantie, agraffer la preuve de la date d'achat à ce manuel.

\_\_\_\_\_  
Numéro de modèle

\_\_\_\_\_  
Numéro de série

\_\_\_\_\_  
Date d'achat

# ÍNDICE

<b>SEGURIDAD DEL REFRIGERADOR</b> .....	<b>33</b>
Cómo deshacerse adecuadamente de su aparato refrigerador viejo .....	34
<b>PIEZAS Y CARACTERÍSTICAS</b> .....	<b>34</b>
<b>REQUISITOS DE INSTALACIÓN</b> .....	<b>35</b>
Requisitos de ubicación .....	35
Requisitos eléctricos .....	35
Requisitos del suministro de agua .....	35
<b>INSTRUCCIONES DE INSTALACIÓN</b> .....	<b>36</b>
Paso 1 - Desempaque el refrigerador .....	36
Paso 2 - Cambio del sentido de abertura de la puerta .....	36
Paso 3 - Instalación de las manijas de las puertas .....	37
Paso 4 - Instalación del suministro de agua .....	38
Paso 5 - Conexión del suministro eléctrico .....	39
Paso 6 - Nivelar el refrigerador .....	39
<b>USO DEL REFRIGERADOR</b> .....	<b>39</b>
Flujo de aire .....	39
Controles de temperatura .....	40
Fábrica de hielo y depósito de hielo .....	40
<b>CUIDADO DEL REFRIGERADOR</b> .....	<b>41</b>
Limpieza .....	41
Luces .....	42
Corte de energía .....	42
Vacaciones y mudanzas .....	42
<b>SOLUCIÓN DE PROBLEMAS</b> .....	<b>44</b>
Funcionamiento .....	44
Hielo y agua .....	45
Temperatura y humedad .....	46
<b>GARANTÍA LIMITADA</b> .....	<b>46</b>
<b>INFORMACIÓN A TENER EN CUENTA</b> .....	<b>47</b>

# SEGURIDAD DEL REFRIGERADOR

**Su seguridad y la seguridad de los demás es muy importante.**

Hemos incluido muchos mensajes importantes de seguridad en este manual y en su electrodoméstico. Lea y obedezca siempre todos los mensajes de seguridad.



Este es el símbolo de advertencia de seguridad.

Este símbolo le llama la atención sobre peligros potenciales que pueden ocasionar la muerte o una lesión a usted y a los demás. Todos los mensajes de seguridad irán a continuación del símbolo de advertencia de seguridad y de la palabra "PELIGRO", "ADVERTENCIA" o "PRECAUCIÓN".

Estas palabras significan:

## **▲ PELIGRO**

Se trata de una situación de peligro inminente. Si no sigue las instrucciones de inmediato, usted puede morir o sufrir una lesión grave.

## **▲ ADVERTENCIA**

Se trata de una situación posiblemente peligrosa que, de no evitarse, podría causar la muerte o una lesión grave.

## **▲ PRECAUCIÓN**

Se trata de una situación posiblemente peligrosa que, de no evitarse, podría causar lesiones moderadas o leves.

Todos los mensajes de seguridad le dirán el peligro potencial, le dirán cómo reducir las posibilidades de sufrir una lesión y lo que puede suceder si no se siguen las instrucciones.

## INSTRUCCIONES IMPORTANTES DE SEGURIDAD

### **▲ ADVERTENCIA**

Para reducir el riesgo de incendio, choque eléctrico, lesiones a personas o daños al utilizar el refrigerador, siga precauciones básicas, incluyendo las siguientes:

- Conecte el cable eléctrico a un tomacorriente de 3 terminales con conexión a tierra.
- No quite el terminal de conexión a tierra.
- No use un adaptador.
- No use un cable eléctrico de extensión.
- Desconecte el suministro de energía antes de darle servicio técnico.
- Vuelva a colocar todas las piezas y paneles antes de ponerlo en funcionamiento.
- Quite las puertas de su refrigerador viejo.
- Use un limpiador no inflamable.
- Mantenga los materiales y vapores inflamables, tales como la gasolina, alejados del refrigerador.
- Con la ayuda de dos o más personas, mueva e instale el refrigerador.
- Desconecte el suministro de energía antes de instalar la fábrica de hielo (solamente en aquellos modelos que incluyen el juego listo de la fábrica de hielo).

## LEA Y GUARDE ESTAS INSTRUCCIONES

# CÓMO DESHACERSE ADECUADAMENTE DE SU APARATO REFRIGERADOR VIEJO

Antes de descartar su aparato refrigerador o congelador viejo:

- Quite las puertas.
- Deje los estantes en su lugar así los niños no pueden meterse adentro con facilidad.

## ⚠ ADVERTENCIA

### Peligro de asfixia

Quite las puertas de su aparato refrigerador viejo.  
No seguir esta instrucción puede ocasionar la muerte o daño al cerebro.

### Información importante para saber acerca del desecho de refrigerantes:

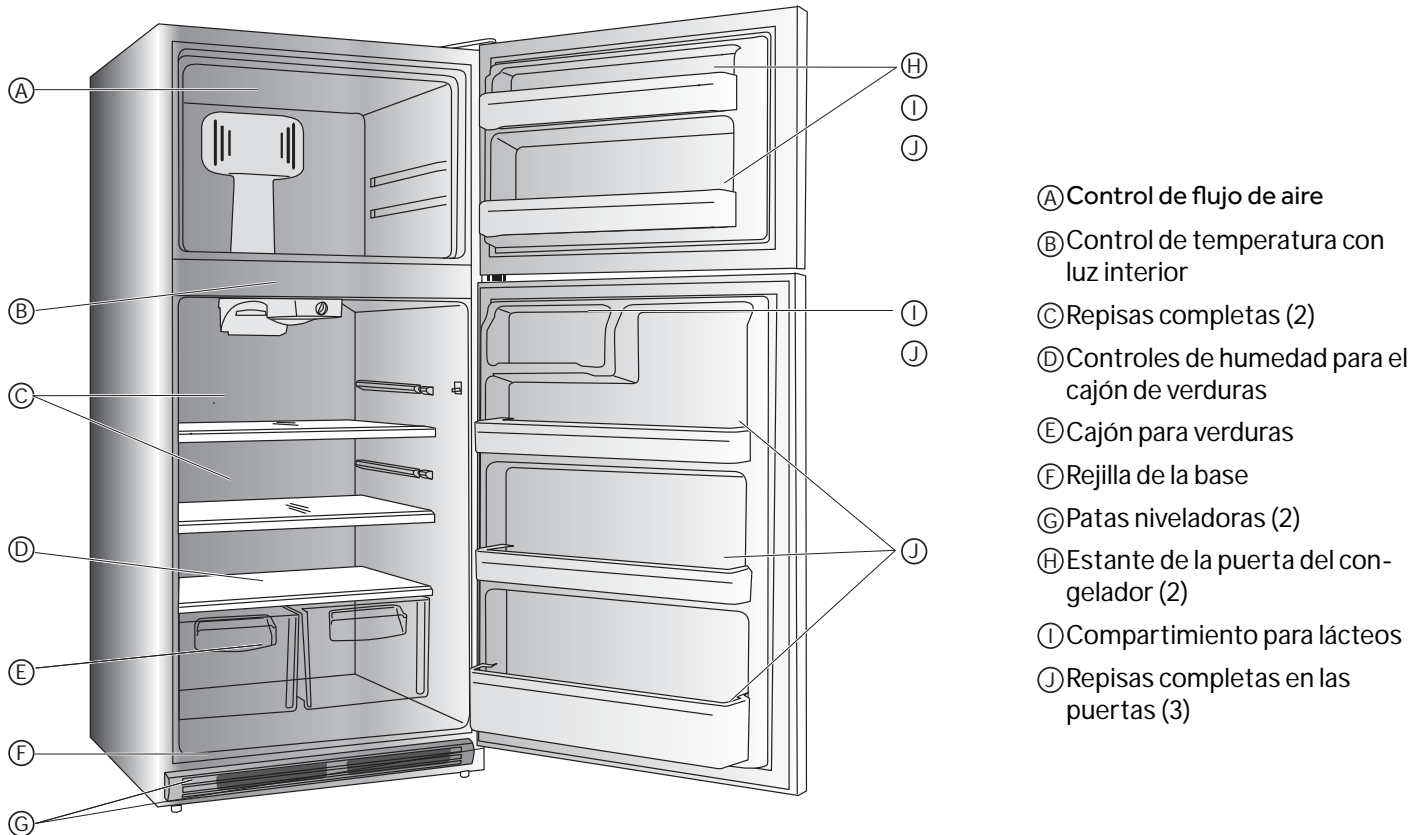
Deséchese del refrigerador o congelador siguiendo los reglamentos federales y locales. Los refrigerantes deberán ser evacuados por un técnico certificado en refrigeración por EPA (Agencia de protección del medioambiente) según los procedimientos establecidos.

**IMPORTANTE:** El atrapamiento y asfixia de niños no es un problema del pasado. Un aparato refrigerador desechado y abandonado es un peligro, aun si va a quedar ahí "por unos pocos días". Si usted está por deshacerse de su aparato refrigerador viejo, siga las instrucciones a continuación para evitar accidentes.

No todas las características están disponibles en todos los modelos.

## PIEZAS Y CARACTERÍSTICAS

No todas las características están disponibles en todos los modelos.



# REQUISITOS DE INSTALACIÓN

## REQUISITOS DE UBICACIÓN

### ⚠ ADVERTENCIA



#### Peligro de Explosión

Mantenga los materiales y vapores inflamables, tales como gasolina, alejados del aparato.

No seguir esta instrucción puede ocasionar la muerte, explosión, o incendio.

**IMPORTANTE:** Este refrigerador ha sido diseñado únicamente para usarse dentro del hogar.

Para garantizar la ventilación adecuada de su refrigerador, deje 2" (5,08 cm) de espacio detrás del refrigerador.

Este refrigerador ha sido diseñado para usarse en un lugar en donde los rangos de temperatura varíen entre un mínimo de 55 °F (13 °C) y un máximo de 95 °F (35 °C). Para un óptimo rendimiento, el rango preferido de temperatura ambiente (que reduce el uso de electricidad y provee un enfriamiento superior) es entre 60 °F (15 °C) y 90 °F (32 °C).

**NOTA:** No se recomienda instalar el refrigerador bajo la luz solar directa o cerca de una fuente de calor, como un horno o un radiador.

## REQUISITOS ELÉCTRICOS

### ⚠ ADVERTENCIA



#### Peligro de Choque Eléctrico

Conecte a un contacto de pared de conexión a tierra de 3 terminales.

No quite el terminal de conexión a tierra del cable de alimentación.

No use un adaptador.

No use un cable eléctrico de extensión.

No seguir estas instrucciones puede ocasionar la muerte, incendio o choque eléctrico.

Antes de mover el refrigerador a su ubicación final, es importante asegurarse de que tiene la conexión eléctrica adecuada.

#### Método de conexión a tierra recomendado

Se requiere un suministro eléctrico de 115 voltios, 60 hertzios, CA solamente, de 15 o 20 amperios y protegido con fusibles, conectado a tierra. Se recomienda utilizar un circuito separado solo para su refrigerador. Use un tomacorriente que no se pueda apagar con un interruptor. No use un cable eléctrico de extensión.

**NOTA:** Antes de realizar cualquier tipo de instalación o limpieza, desconecte el refrigerador de la fuente de suministro eléctrico. Cuando haya terminado, vuelva a conectar el refrigerador a la fuente de energía eléctrica y reajuste los controles de temperatura en la posición deseada.

## REQUISITOS DEL SUMINISTRO DE AGUA

- Acceso a una línea de agua fría del hogar con presión de agua entre 20 lb/pulg<sup>2</sup> (137,90 kPa) y 120 lb/pulg<sup>2</sup> (827,37 kPa), y que no está conectado a un equipo de descalcificación.

**NOTA:** Los productos químicos del descalcificador podrían dañar el fabricante de hielos provocándole fallas.

- El tubo de suministro de agua debe ser de cobre, con un diámetro exterior de 1/4". Para determinar la longitud necesaria de la tubería de cobre, tendrá que medir la distancia desde la válvula de agua del fabricante de hielos, en la parte posterior del refrigerador, hasta la tubería de agua fría. Debe agregar aproximadamente 2 m (7'), de modo que el refrigerador pueda moverse para darle mantenimiento.

#### NOTA:

No se recomienda la tubería de plástico debido a que esto aumenta considerablemente la probabilidad de fugas de agua.

- Debe contar con una válvula de paso para conectar el tubo de suministro de agua al sistema doméstico de suministro de agua.

**NOTA:** No use una válvula de paso tipo autopercutor.

- Tuerca de compresión y casquillo (manguito) para conectar el tubo de suministro de agua en la válvula de entrada del fabricante de hielos.

# INSTRUCCIONES DE INSTALACIÓN

## PASO 1 - DESEMPAQUE EL REFRIGERADOR

### ⚠ ADVERTENCIA

#### Peligro de Peso Excesivo

Use dos o más personas para mover e instalar el refrigerador.

No seguir esta instrucción puede ocasionar una lesión en la espalda u otro tipo de lesiones.

## CÓMO QUITAR EL EMPAQUE

- Quite los restos de cinta y goma de las superficies de su refrigerador antes de encenderlo. Frote un poco de detergente líquido para vajilla sobre el adhesivo con los dedos. Limpie con agua tibia y seque.

**NOTA:** No use instrumentos losos, alcohol isopropílico, líquidos inflamables o productos de limpieza abrasivos para eliminar los restos de cinta o goma. Estos productos pueden dañar la superficie de su refrigerador. Para obtener más información, vea "Seguridad del refrigerador".

- Deshágase de todos los materiales de empaque o recíclelos.

**NOTA:** Al instalar el refrigerador por primera vez, es normal que la puerta del congelador se encuentre ligeramente más arriba que la parte superior del gabinete. Esto ha sido diseñado para asegurar los sellos de la junta correctamente cuando se carga la puerta del congelador con alimentos.

### Cuando mueva su refrigerador:

Su refrigerador es pesado. Cuando mueva el refrigerador para la limpieza o para darle servicio, cerciórese de cubrir el piso con cartón o madera para evitar daños en este. Al mover el refrigerador, siempre tire directamente hacia afuera. No menee el refrigerador de lado a lado ni lo haga "caminar" cuando trate de moverlo, ya que podría dañar el suelo.

## LIMPIEZA ANTES DEL USO

Una vez que usted haya quitado todos los materiales de empaque, limpie el interior del refrigerador antes de usarlo. Vea las instrucciones de limpieza en "Cuidado del refrigerador".

### Información importante acerca de los estantes y tapas de vidrio:

No limpie los estantes y tapas de vidrio con agua caliente mientras estén fríos. Los estantes y tapas pueden romperse si se exponen a cambios bruscos de temperatura o a impactos como golpes bruscos. El vidrio templado se ha diseñado para hacerse añicos. Esto es normal. Los estantes y tapas de vidrio son muy pesados. Use ambas manos al quitarlos para evitar que se caigan.

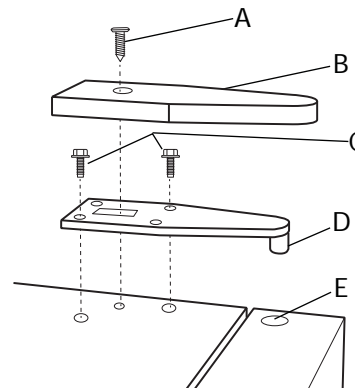
## PASO 2 - CAMBIO DEL SENTIDO DE ABERTURA DE LA PUERTA (Opcional)

Si desea que las puertas se abran del lado opuesto, puede cambiar el sentido de apertura de la puerta.

### Herramientas necesarias

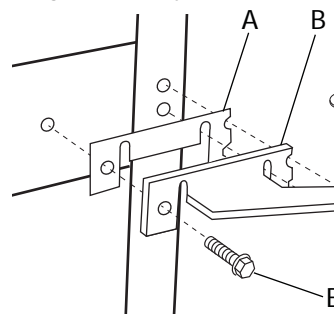
- Destornillador Phillips
- Pinzas
- Destornillador Torx T2 (En algunos modelos)
- Llaves de 5/16 y 3/8 o llave ajustable

1. Desenchufe el refrigerador o desconecte el suministro de energía.
2. Quite la rejilla de la base si ya está instalada.
3. Retire la cubierta de la bisagra superior y la bisagra superior. Levante la puerta del congelador de la bisagra y déjela aparte.



- A - Tornillo de la cubierta de la bisagra
- B - Cubierta de la bisagra
- C - Pernos de la bisagra
- D - Pasador de bisagra
- E - Orificio de la bisagra de la puerta

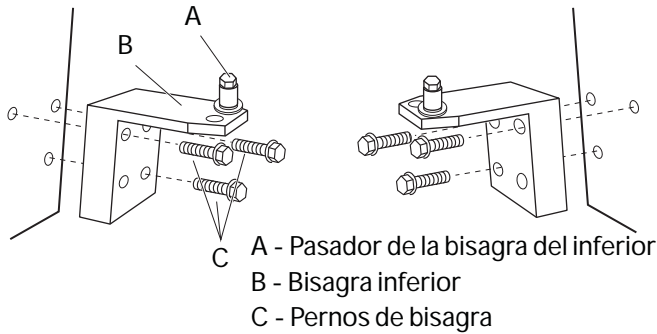
4. Desatornille el pasador de la bisagra central. Guarde las arandelas de plástico para usarlas cuando vuelva a colocar la puerta.
5. Levante la puerta del refrigerador de la bisagra inferior y déjela a un lado.
6. Con la ayuda de una llave de tuercas o un destornillador Torx T25, quite la bisagra central y el separador de plástico: para ello, desatornille el perno central, afloje los pernos laterales y deslice la bisagra hacia el centro del gabinete. Ajuste los pernos laterales.



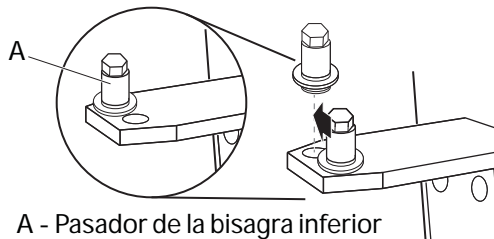
- A - Separador de plástico
- B - Bisagra del centro
- C - Pasador de la bisagra del centro
- D - Pernos laterales
- E - Perno central

7. En el lado opuesto del gabinete, quite el perno central y afloje los pernos laterales. Deslice la bisagra central y los separadores detrás de los pernos laterales. Vuelva a colocar el perno central y ajuste los pernos laterales.

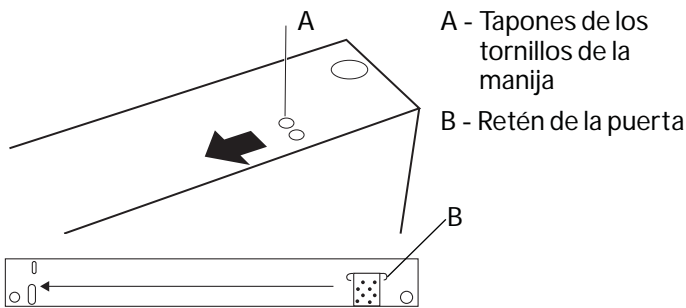
8. Quite los pernos de la bisagra inferior y vuelva a colocar la bisagra inferior en el lado opuesto del gabinete. Ajuste los pernos por completo.



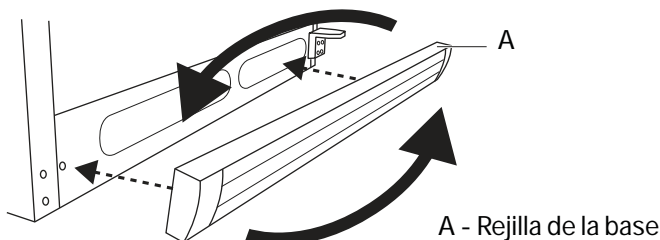
9. Desatornille y quite el pasador de la bisagra inferior. Vuelva a colocar el pasador en el orificio de la bisagra exterior y ajuste.



10. Mueva los topes de la puerta (parte inferior de ambas puertas), las tapas de los agujeros de las bisagras y los tarugos de la manija, si fueron instalados previamente, en ambas puertas hacia el lado opuesto de las puertas.



11. Coloque la puerta del refrigerador en el pasador de la bisagra inferior. Alinee el orificio de la bisagra en la puerta con el orificio en la bisagra central. Inserte el pasador de la bisagra central y ajuste por completo.
12. Coloque la puerta del congelador en el pasador de la bisagra central y luego cierre la puerta.
13. Inserte el pasador de la bisagra superior en el orificio de la bisagra en la parte superior de la puerta. Alinee los orificios en la bisagra superior con los orificios de la bisagra en la parte superior del gabinete. Vuelva a colocar los pernos de la bisagra y ajuste por completo. Vuelva a colocar la cubierta de la bisagra superior.

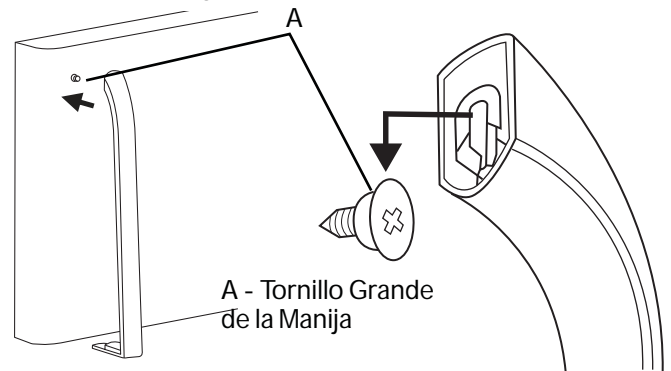


14. Dé vuelta la rejilla de la base y vuelva a instalarla.
15. Quite las manijas de la puerta (si estaban instaladas) y vuelva a instalarlas en el lado opuesto. Consulte "Instalación de las manijas de las puertas".
16. Enchufe o vuelva a conectar el suministro de energía.

## PASO 3 - INSTALACIÓN DE LAS MANIJAS DE LAS PUERTAS

Siga las instrucciones que sean específicas para su modelo.

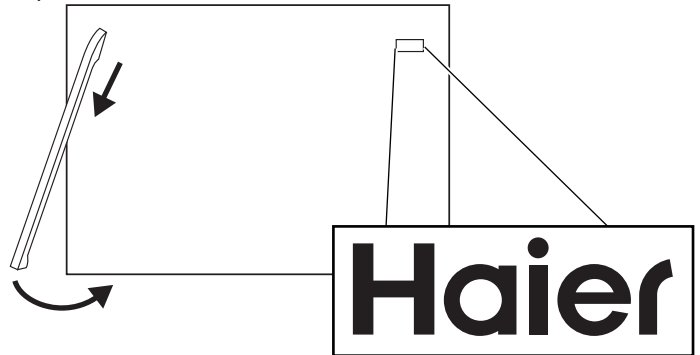
1. Retire las manijas de la puerta, la insignia de Haier, y los tornillos de las bolsas plásticas.
2. Instale un tornillo grande de la manija sobre la cara de las puertas del freezer y del refrigerador. La ubicación del tornillo coincide con el lado de la manija de la puerta (opuesto a la bisagra).



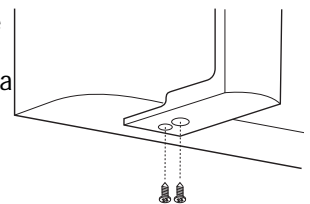
3. Coloque el extremo extendido de la manija sobre el tornillo de montaje. Deslice la manija hacia abajo para asegurar la misma sobre el tornillo de montaje (manija plástica únicamente).

**NOTA:** Es posible que deba aflojar ligeramente el tornillo de montaje si le resulta difícil deslizar la manija.

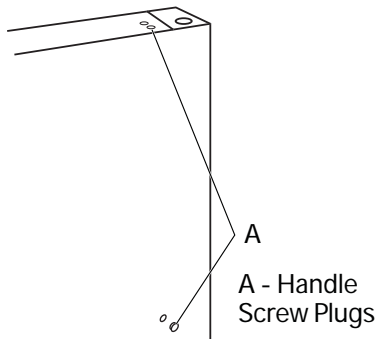
4. Rote la manija de la puerta hacia el espacio libre entre las puertas.



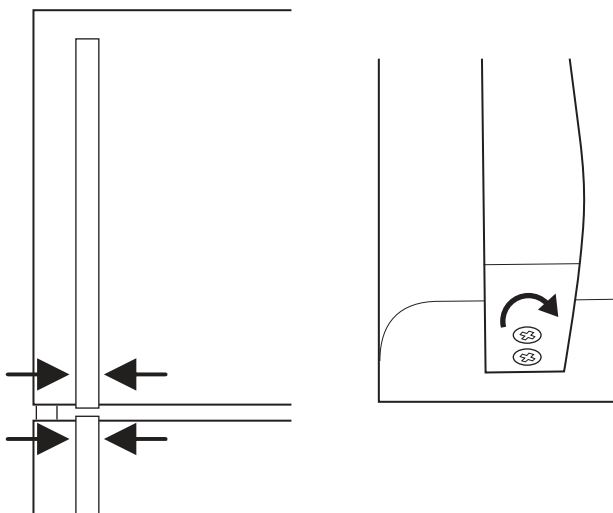
5. Alinee los agujeros del extremo plano de la manija con los agujeros del extremo inferior de la puerta, y ajuste con los dos tornillos pequeños (provistos). NO ajuste los tornillos completamente.
6. Instale la insignia de haier sobre la puerta del freezer, en la parte superior del agujero abierto para tornillos del lado opuesto de la manija.



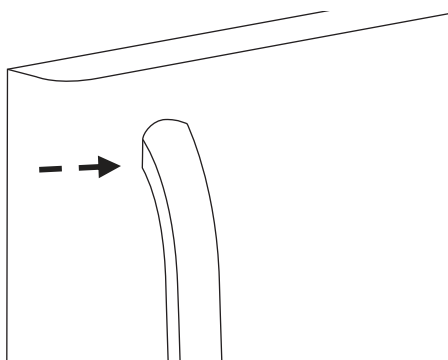
7. Instale un tarugo para manija en la puerta del refrigerador, en el agujero abierto para tornillos del lado opuesto de la manija. Instale los dos tarugos para manija del lado superior de la puerta del refrigerador, cerca de la bisagra central.



8. Repita los pasos 1 a 5 para instalar la manija de la otra puerta.  
 9. Une fois les deux poignées montées, les aligner.  
 10. De forma lenta, abra la puerta, y luego ajuste completamente los tornillos.



11. Para manijas de acero inoxidable, use la llave hexagonal provista para colocar el tornillo de ajuste en el extremo extendido de la manija. Continúe ajustando hasta que la manija esté alineada con la puerta y luego ajústela otra media vuelta adicional.



## PASO 4 - INSTALACIÓN DEL SUMINISTRO DE AGUA

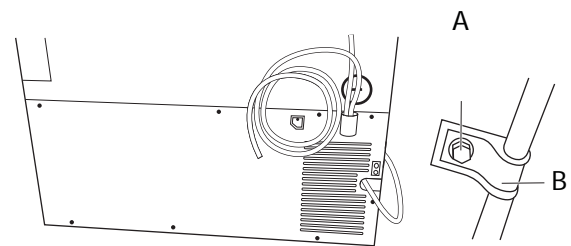
### IMPORTANTE:

La instalación de este suministro de agua no está cubierta por la garantía de los fabricantes del refrigerador o la del fabricante de hielos. Siga con cuidado estas instrucciones para reducir al mínimo el riesgo de sufrir daños costosos causados por el agua.

**No instale la tubería de agua en ubicaciones donde la temperatura sea inferior a la temperatura de congelamiento.**

1. Desenchufe el refrigerador o desconecte el suministro de energía.
2. Corte el suministro de agua con la válvula de cierre.
3. Quite la cubierta de acceso posterior del compartimento del compresor.
4. Conecte la línea de cobre del suministro de agua a la tubería residencial.
5. Tuerca de compresión y casquillo (manguito) para conectar el tubo de suministro de agua en la válvula de entrada del fabricante de hielos.
6. Habilite el suministro de agua y apriete las conexiones que tengan fugas.
7. Vuelva a instalar la cubierta de acceso posterior para el compartimento del compresor.
8. Enrolle el resto de la línea de suministro de agua detrás del refrigerador, como se muestra en la siguiente imagen, y acomódelo de forma que no vibre o roce con otras superficies.

**NOTA:** Use la abrazadera para tubo de agua y un tornillo n°. 8 que venían en la bolsa de partes incluidas para jar la línea del suministro de agua en la parte trasera del refrigerador.



A - Tornillo del n° 8

B - Abrazadera del suministro de agua

## PASO 5 - CONEXIÓN DEL SUMINISTRO ELÉCTRICO

### ⚠ ADVERTENCIA



#### Peligro de Choque Eléctrico

Conecte a un contacto de pared de conexión a tierra de 3 terminales.

No quite el terminal de conexión a tierra del cable de alimentación.

No use un adaptador.

No use un cable eléctrico de extensión.

No seguir estas instrucciones puede ocasionar la muerte, incendio o choque eléctrico.

1. Conecte a un contacto de pared de conexión a tierra de 3 terminales.
2. Deje que el refrigerador se enfríe durante algunas horas antes de agregar alimentos.

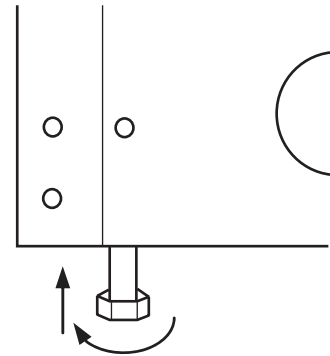
## PASO 6 - NIVELAR EL REFRIGERADOR

(Si es necesario)

El refrigerador debe estar nivelado para mantener un mejor desempeño y apariencia, y para evitar el exceso de ruido y vibración.

1. Conecte a un contacto de pared de conexión a tierra de 3 terminales.
2. Deje que el refrigerador se enfríe durante algunas horas antes de agregar alimentos.

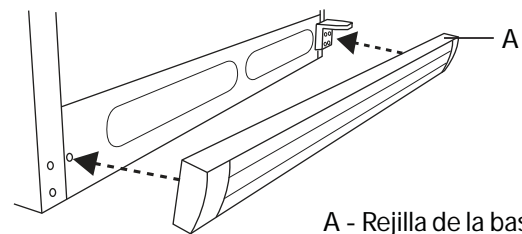
**NOTA:** Para quitar un poco de peso de los pies niveladores, haga que alguien empuje la parte superior del refrigerador. Esto facilita el giro de los pies.



3. Gire ambas patas frontales la misma cantidad (1/4" (6 mm)), para elevar levemente el frente del refrigerador.

**NOTA:** Si levanta el frente del refrigerador ligeramente, facilitará el cierre y el sellado adecuado de las puertas.

4. Instale la rejilla de la base como se muestra.



A - Rejilla de la base

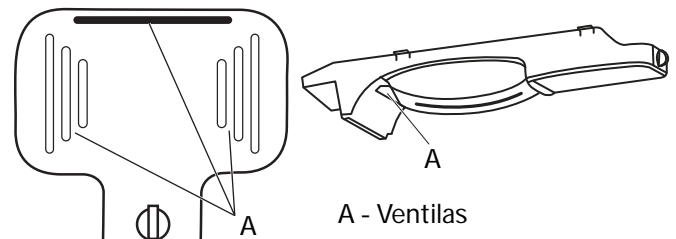
## USO DEL REFRIGERADOR

### FLUJO DE AIRE

Para garantizar el flujo de aire adecuado dentro del refrigerador, no guarde artículos:

- Directamente en frente de los ductos de escape de la torre del ventilador del congelador
- Directamente debajo del ducto de escape del refrigerador
- Contra los lados del compartimiento del refrigerador

**NOTA:** Coloque los artículos hacia el centro de los estantes.



A - Ventiladores

## CONTROLES DE TEMPERATURA

Hay un cuadrante de control de temperatura en los compartimientos del congelador y el refrigerador. Sin embargo, el ajuste del control en el compartimiento del refrigerador afectará también la temperatura en el compartimiento del congelador.

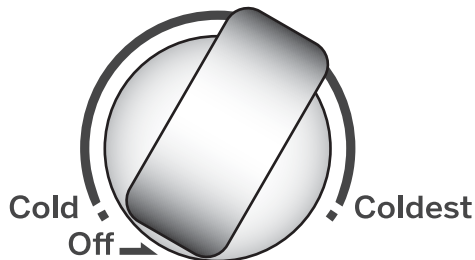
**IMPORTANTE:** Si gira el control de temperatura a la posición OFF (Apagado) o al ajuste de temperatura menos frío, NO desconectará el refrigerador del suministro de energía.

- El ajuste recomendado debe ser el correcto para un uso doméstico normal del refrigerador.
- Cuando el refrigerador se enciende por primera vez, puede tardar hasta 12 horas para enfriar hasta las temperaturas preajadas. Espere 24 horas para que el refrigerador se enfríe por completo antes de agregar alimentos. Si agrega alimentos antes de que el refrigerador se haya enfriado por completo, podrían echarse a perder.
- Si la temperatura en el refrigerador o en el congelador está demasiado caliente o demasiado fría antes de regular los controles, revise primero los conductos de ventilación para cerciorarse de que no estén obstruidos. Consulte "Flujo de aire".

## COMPARTIMIENTO DEL REFRIGERADOR

El control de temperatura del compartimiento del refrigerador se debe jar a la "1 en punto". Después de transcurridas las 24 horas, se podrá ajustar el control en pequeños incrementos para alcanzar la temperatura deseada.

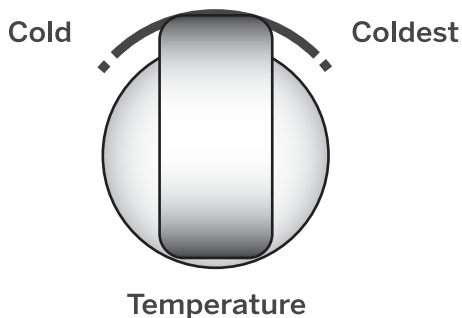
**NOTA:** Espere 24 horas entre los ajustes para que se establezca la temperatura.



## COMPARTIMIENTO DEL CONGELADOR

El control de temperatura del compartimiento del congelador se debe jar a las "12 en punto". Después de transcurridas las 24 horas, se podrá ajustar el control en pequeños incrementos para alcanzar la temperatura deseada.

**NOTA:** Espere 24 horas entre los ajustes para que se establezca la temperatura.



## FÁBRICA DE HIELO Y DEPÓSITO DE HIELO

(En algunos modelos)

### IMPORTANTE:

- Mantenga el brazo metálico en la posición de apagado hasta que se conecte el refrigerador al suministro de agua o siempre que este se interrumpa.
- Se requieren aproximadamente 24 horas para que el fabricante de hielos comience a producir los cubos de hielo.
- La tubería nueva podría causar que el hielo tenga otro color y un mal sabor. Descarte el hielo obtenido en las primeras 24 horas.
- La calidad del agua determina la calidad del hielo. No conecte el fabricante de hielos a una toma de agua descalcificada. Los productos químicos de un descalcificador averiado pueden dañar el fabricante de hielos.
- Cuando el hielo se guarda durante demasiado tiempo, podría emanar un olor extraño. Vacíe y limpie el depósito de hielo. Encienda la fábrica de hielo para preparar hielo fresco.

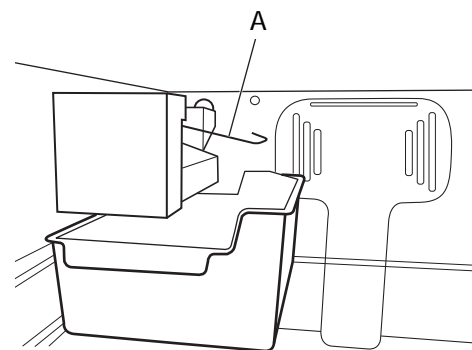
**NOTA:** No lave el recipiente del hielo en el lavavajillas.

## ENCENDIDO Y APAGADO DE LA FÁBRICA DE HIELO

- Baje el brazo de control de alambre para ENCENDER la fábrica de hielo.
- Levante el brazo de control de alambre hasta bloquearla para APAGAR manualmente la fábrica de hielo.

**NOTA:** La fábrica de hielo se APAGA de manera automática cuando el depósito de hielo está lleno.

**NOTA:** APAGUE la fábrica de hielo cuando limpie el congelador o salga de vacaciones. Si la fábrica de hielo estará apagada durante mucho tiempo, gire la válvula de suministro de agua a la posición cerrada.



A - Brazo de control de alambre

# CUIDADO DEL REFRIGERADOR

## LIMPIEZA

Tanto las secciones del refrigerador como la del congelador se descongelan automáticamente. No obstante, limpie ambas secciones más o menos una vez al mes para evitar la acumulación de olores. Limpie los derrames de inmediato.

Debido a que el aire circula entre ambas secciones, cualquier olor que se forma en una sección pasará a la otra. Debe limpiar bien ambas secciones para eliminar los olores. Para evitar la transferencia de olores y la deshidratación de los alimentos, envuelva o tape bien los alimentos.

### ⚠ ADVERTENCIA



#### Peligro de Explosión

Use un limpiador no inflamable.

No seguir esta instrucción puede ocasionar la muerte, explosión o incendio.

#### IMPORTANTE:

- No use productos químicos fuertes, amoníaco, blanqueador con cloro, detergente concentrado, solventes o estropajos de metal o abrasivos para limpiar su refrigerador por dentro o por fuera. Estos pueden dañar o decolorar el acabado del refrigerador.
- No lave ninguna de las piezas en una lavavajillas.
- No utilice agua tibia para limpiar los estantes de vidrio mientras aún están fríos. El vidrio se podría romper si se lo expone a cambios bruscos de temperatura o a impactos.

### ⚠ ADVERTENCIA



#### Peligro de choque eléctrico

Desenchufe el aparato o desconecte el suministro de energía antes de limpiarlo.

No seguir esta instrucción puede ocasionar la muerte, choque eléctrico o daños personales.

1. Desenchufe el refrigerador o desconecte el suministro de energía.
2. Limpie el interior. Lave a mano, enjuague y seque bien todas las piezas removibles y las superficies interiores. Use una esponja limpia o un paño liso y un detergente suave en agua tibia.
3. Limpie las superficies exteriores.

**Metal pintado:** Limpie el exterior de metal pintado con un paño limpio y liso, o una esponja y detergente suave en agua tibia. Enjuague las superficies con agua tibia limpia y séquelas inmediatamente para evitar las manchas de agua.

**Acero inoxidable:** El acero inoxidable es resistente a la corrosión y no a prueba de corrosión. Para ayudar a evitar la corrosión del acero inoxidable, lave las superficies de acero inoxidable con un paño limpio y liso o una esponja y un detergente suave en agua tibia. Enjuague las superficies con agua tibia limpia y séquelas inmediatamente para evitar las manchas de agua.

**NOTA:** Cuando limpie el acero inoxidable, siempre hágalo en la dirección de la veta para evitar rayas perpendiculares a esta.

4. Limpie las juntas de la puerta cada 3 meses. Lave las juntas con un paño suave o una esponja limpia y detergente suave disuelto en agua tibia. Enjuague bien y seque por completo. Aplique un poco de petrolato en el lado de las bisagras de las juntas para mantener la junta flexible y asegurar un buen sellado.
5. Enchufe el refrigerador o vuelva a conectar el suministro de energía.

**NOTA:** Con empaques limpios las puertas sellarán mejor que con empaques sucios.

## LUCES

Según el modelo, las luces de los compartimientos del refrigerador y el congelador podrían utilizar bloques LED (módulos), focos LED o focos incandescentes. Siga las instrucciones que sean específicas para su modelo.

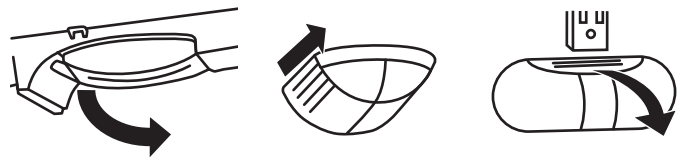
### IMPORTANTE:

- Algunos focos LED de repuesto no se recomiendan para ambientes húmedos/mojados. Los compartimientos del refrigerador y del congelador se consideran ambientes húmedos/mojados. Si emplea una marca de focos LED, diferente de los focos recomendados, antes de instalarlo, lea y siga las instrucciones en el empaque del LED.
- Si se emplea un foco incandescente para reemplazar un foco LED, use solamente los focos incandescentes para aparatos domésticos con una potencia máxima de la siguiente manera:

Tipo	Luz superior del refrigerador	Luz del cajón para verduras y luz del congelador (en algunos modelos)
Foco de luz incandescente	Foco para electrodomésticos Daylight de 40 vatios con base mediana (1 o 2 focos, según el modelo)	Foco para electrodomésticos de 25 vatios con base de candelabro
Foco LED	Foco LED de 5 vatios (o foco incandescente equivalente de 40 vatios) con base mediana	Foco LED de 1,2 vatios (o foco incandescente equivalente de 25 vatios) con base de candelabro
Bloques de iluminación LED	Si su refrigerador está equipado con bloques de iluminación LED; dichas luces se diseñaron para que duren toda la vida útil del refrigerador. Sin embargo, si las luces dejan de funcionar, llame a un técnico calificado para su reemplazo.	

### Para reemplazar el foco:

- Desenchufe el refrigerador o desconecte el suministro de energía.
- Quite la pantalla de la luz (en algunos modelos).



- Después de dejar enfriar el foco, quite el foco quemado y, luego, reemplácelo con el foco para electrodomésticos del mismo tamaño, forma y vataje. Consulte el cuadro de esta sección.
- Vuelva a colocar la pantalla de luz.
- Enchufe o vuelva a conectar el suministro de energía.

## CORTE DE ENERGÍA

Si hubiera un corte de energía, no abra la puerta del congelador. Los alimentos congelados no se verán afectados si la energía se restablece dentro de algunas horas.

Si la energía se corta durante un período prolongado, verifique los alimentos para ver si se han descongelado.

## VACACIONES Y MUDANZAS

### VACACIONES

Si estará ausente durante un período prolongado y no desea dejar el refrigerador encendido mientras se encuentra afuera, prepárelo para su ausencia.

- Quite toda la comida del refrigerador y del congelador.
- Desenchufe el refrigerador o desconecte el suministro de energía.
- Limpie el refrigerador. Enjuague y séquelo bien.
- Limpie las juntas de la puerta y/o los cajones. Vea "Limpieza".
- Coloque bloques de madera o goma en la parte superior de las puertas y/o los cajones para permitir la circulación de aire en el interior. De esta manera, evitará la acumulación de olores y moho.

## MUDANZA

Si Ud. muda su refrigerador a una casa nueva, siga estos pasos para prepararse para la mudanza.

### ⚠️ ADVERTENCIA

#### Peligro de Peso Excesivo

Use dos o más personas para mover e instalar el refrigerador.

No seguir esta instrucción puede ocasionar una lesión en la espalda u otro tipo de lesiones.

1. Saque todos los alimentos del refrigerador y empaque todos los alimentos congelados en hielo seco.
2. Desenchufe el refrigerador.
3. Saque todas las piezas removibles, envuélvalas bien y asegúrelas con cinta adhesiva para que no se muevan ni se sacudan durante la mudanza.
4. Levante las patas niveladoras para que no dañen el piso. Vea "Nivelación".
5. Sostenga las puertas para que queden cerradas y el cable pegado a la parte posterior del refrigerador con cinta adhesiva.
6. Cuando llegue a la casa nueva, coloque todo de nuevo en su sitio y lea la sección "Cómo volver a instalar o usar el refrigerador nuevamente" para obtener instrucciones de preparación.

## CÓMO VOLVER A INSTALAR O USAR EL REFRIGERADOR NUEVAMENTE

Si el refrigerador ha permanecido en posición horizontal o inclinada durante algún tiempo, espere 2 a 5 horas antes de enchufarlo para dejar que el aceite se asiente en el compresor.

1. Limpie el refrigerador. Vea "Limpieza".
2. Coloque el refrigerador en la ubicación deseada y nivélelo. Vea "Instrucciones de instalación".

### ⚠️ ADVERTENCIA



#### Peligro de Choque Eléctrico

Conecte a un contacto de pared de conexión a tierra de 3 terminales.

No quite el terminal de conexión a tierra del cable de alimentación.

No use un adaptador.

No use un cable eléctrico de extensión.

No seguir estas instrucciones puede ocasionar la muerte, incendio o choque eléctrico.

3. Conecte a un contacto de pared de conexión a tierra de 3 terminales.

# SOLUCIÓN DE PROBLEMAS

Pruebe las soluciones sugeridas aquí y posiblemente se evite el gasto de una visita de servicio técnico.

## FUNCIONAMIENTO

PROBLEMA	POSIBLE(S) CAUSA(S)	SOLUCIÓN
<b>El refrigerador no funciona</b>	El refrigerador no está enchufado.	Conecte a un contacto de pared de conexión a tierra de 3 terminales.
	Se ha quemado un fusible o se ha disparado un cortacircuitos.	Reajuste/Encienda el cortacircuitos o reemplace el fusible.
	El refrigerador está en modo de descongelación.	Espere unos 40 minutos para que termine el ciclo de descongelación y se reanude el sistema de refrigeración.
<b>El compresor del refrigerador funciona con frecuencia o durante largos periodos de tiempo.</b> <b>NOTA: Este refrigerador ha sido diseñado para funcionar durante periodos más largos de tiempo con un consumo de energía más bajo.</b>	El refrigerador se enchufó por primera vez.	Esto es normal. Deje transcurrir 24 horas para que el refrigerador se enfríe.
	Se han agregado alimentos tibios o una gran cantidad de alimentos.	Esto es normal.
	La puerta está bloqueada abierta.	Reorganizar o eliminar elementos que mantienen la puerta se cierre por completo.
	Hace calor o se abre con frecuencia.	Esto es normal. Limite aberturas de las puertas.
	Control de temperatura bajo en la posición más fría.	Ajuste la temperatura a un ajuste más caliente.
<b>El refrigerador huele mal</b>	Los alimentos no están sellados o envasados correctamente.	Vuelva a sellar los envases. Coloque una caja abierta con bicarbonato de sodio en el refrigerador y cámbiela cada 3 meses.
	Debe limpiar el interior.	Limpie el interior. Vea "Limpieza".
	Se han guardado los alimentos por mucho tiempo.	Deseche los alimentos que se han echado a perder.
<b>La luz no se enciende.</b>	El refrigerador no está enchufado.	Conecte a un contacto de pared de conexión a tierra de 3 terminales.
	La luz LED está quemada.	Llame a un técnico calificado para cambiar la luz LED quemada.
<b>Las puertas no cierran correctamente.</b>	El refrigerador no está nivelado.	Nivelar el refrigerador. Vea "Nivelación".
	Algo está obstruyendo el cierre de la puerta.	Reorganizar o eliminar elementos que mantienen la puerta se cierre por completo.
<b>Vibración o traqueteo</b>	Se escucha un sonido como si fluyera agua del refrigerador.	Nivelar el refrigerador. Vea "Nivelación".
<b>Se escucha un sonido como si fluyera agua del refrigerador.</b>	El refrigerante que fluye por las líneas hace este sonido cuando se enciende y se apaga el compresor.	Este sonido es normal.
	El refrigerador tiene un sistema de descongelación automático. El sonido es ocasionado por el agua descongelada.	Este sonido es normal.
<b>Zumbidos o chirridos</b>	Este sonido es ocasionado por el compresor y los ventiladores de circulación de aire frío.	Este sonido es normal. Si el refrigerador no está nivelado, el sonido será más fuerte.
<b>Crujidos o chasquidos</b>	Este sonido es ocasionado por las piezas interiores cuando se contraen y se expanden en respuesta a los cambios de temperatura.	Este sonido es normal.

# HIELO Y AGUA

(Con la fábrica de hielo instalada)

PROBLEMA	CAUSAS POSIBLES	SOLUCIÓN
<b>La fábrica de hielo no produce hielo o no produce suficiente hielo o los cubos de hielo son huecos</b>	Refrigerador no está enchufado.	Enchufe el refrigerador a un toma corriente de 3 terminales con conexión a tierra.
	No se ha encendido la fábrica de hielo.	Baje el brazo de control de alambre a la posición de ON (Encendido).
	La fábrica de hielo no está enchufada en el toma corriente eléctrico en la parte trasera del compartimiento del congelador.	Enchufe la fábrica de hielo en el toma corriente en la parte trasera del compartimiento del congelador.
	La válvula de agua no está conectada con el mazo de alambres del refrigerador.	Desenchufe el refrigerador o desconecte el suministro de energía. Quite la cubierta de acceso trasera. Enchufe la válvula de agua en el mazo de alambres en la parte inferior del compartimiento trasero.
	El control de temperatura no está en un ajuste suficientemente bajo.	Regule el control de temperatura a un ajuste más frío.
	El refrigerador se ha instalado recientemente.	Espere 24 horas después de la instalación de la fábrica de hielo para que empiece a producir hielo.
	Refrigerador no está conectado a una tubería de agua fría.	Asegúrese de que el refrigerador esté conectado a una tubería de agua fría.
	No se ha conectado el refrigerador a un suministro de agua o no se ha abierto la válvula de suministro de agua.	Conecte el refrigerador al suministro de agua y abra completamente la válvula de cierre de agua.
	Esto es una indicación de baja presión de agua.	La presión de agua a la casa determina el flujo de la fábrica de hielo.
	La tubería de agua tiene fugas o hay un estrechamiento en la tubería de agua.	Verifique si hay fugas en los tubos y conexiones y enderece la tubería de suministro de agua.
<b>Fuga de agua en el compartimiento del congelador</b>	El tubo de llenado no está alineado con el recipiente de llenado en la parte posterior de la fábrica de hielo.	Ajuste el tubo de llenado para dirigir el agua hacia el recipiente de llenado en la parte posterior de la fábrica de hielo.
<b>Fuga de agua debajo del refrigerador</b>	Hay fugas en la tubería de agua en la parte trasera del refrigerador.	Verifique las tuberías de suministro de agua en la parte trasera del refrigerador.
	Hay fugas en la válvula de agua.	Desconecte el refrigerador del suministro de agua. Quite la cubierta de acceso al compartimiento trasero y verifique las conexiones en la válvula de agua.

## TEMPERATURA Y HUMEDAD

PROBLEMA	POSIBLE(S) CAUSA(S)	SOLUCIÓN
Refrigerador o congelador demasiado caliente	El control de temperatura no está en un ajuste suficientemente bajo.	Ajuste el compartimiento a un ajuste más frío; espere 24 horas para que se ajuste la temperatura.
	Las puertas se abren con frecuencia o quedan abiertas.	No abra la puerta con frecuencia. Compruebe si hay elementos de mantenimiento de la puerta se cierre por completo.
	Se agregaron alimentos calientes recientemente.	Deje transcurrir un rato para que se enfríen los alimentos y el refrigerador.
	El espacio entre la parte posterior del refrigerador y la pared es demasiado pequeño.	Deje un espacio de por lo menos 2" (5 cm) entre la parte posterior del refrigerador y la pared.
	Los artículos ubicados contra la parte posterior de los compartimientos están bloqueando el flujo de aire adecuado.	Almacene los artículos únicamente dentro de los estantes de vidrio; no coloque los artículos contra los lados de los compartimientos o directamente enfrente de los ductos de ventilación.
Refrigerador o congelador demasiado frío	El control de temperatura se jó en un ajuste demasiado bajo.	Fije la temperatura en el compartimiento en el próximo ajuste más cálido; espere 24 horas para que se ajuste.
Humedad en el exterior/interior del refrigerador	Humedad elevada	Es normal cuando la humedad es elevada. Séquela superficie y je la temperatura en un ajuste ligeramente más frío.
	Las puertas se abren con frecuencia o quedan abiertas.	No abra la puerta con frecuencia. Compruebe si hay elementos de mantenimiento de la puerta se cierre por completo.
	Recipiente con líquido abierto en el refrigerador	Cubra o selle el recipiente.
Escarcha o cristales de hielo en alimentos congelados	Las puertas se abren con frecuencia o quedan abiertas.	No abra la puerta con frecuencia. Compruebe si hay elementos de mantenimiento de la puerta se cierre por completo.
	Los artículos bloquean los ductos de ventilación del congelador e impiden el flujo de aire adecuado.	Aleje los artículos de la pared trasera.
Se congelan los alimentos en el refrigerador	Alimentos colocados demasiado cerca del ducto de ventilación.	Aleje los artículos de la parte posterior y superior del refrigerador.
	El control de temperatura tiene un ajuste demasiado frío.	Ajuste la temperatura a un ajuste menos frío.

SI NECESITA MÁS AYUDA, VISITE [HAIERAMERICA.COM](http://HAIERAMERICA.COM) O COMUNÍQUESE CON LA LÍNEA DE AYUDA AL CONSUMIDOR LLAMANDO AL 1-877-337-3639.

## GARANTÍA LIMITADA

### SERVICIO EN EL HOGAR

#### GARANTÍA COMPLETA POR UN AÑO 12

meses por piezas y mano de obra 5 años

#### por el sistema de sellado

Durante 12 meses a partir de la fecha de compra original en la tienda, Haier reparará o reemplazará cualquier pieza del aparato sin costo, incluyendo la mano de obra, si la misma falla debido a defectos en los materiales o en la mano de obra.

Haier puede reemplazar, a su sola discreción, cualquier pieza, subsistema, incluso el producto entero.

El producto debe ser accesible, sin gravamen e instalado correctamente para recibir el servicio de reparación de garantía.

#### GARANTÍA LIMITADA

**NOTA:** Esta garantía comienza en la fecha de compra de este producto, y el recibo original deberá presentarse al representante autorizado de servicio antes de hacerse las reparaciones bajo la garantía.

**Excepciones:** Garantía uso comercial

**90 días en la mano de obra a partir de la fecha de compra original**

**90 días en las piezas a partir de la fecha de compra original. No es aplicable ninguna otra garantía.**

**PARA OBTENER SERVICIO BAJO LA GARANTÍA**

Póngase en contacto con el centro de servicio autorizado más cercano a su localidad. Todo servicio deberá ser realizado por un centro de servicio autorizado por Haier. Para obtener el nombre y el número de teléfono del centro de servicio autorizado más cercano, llame al 1-877-337-3639.

Antes de llamar, tenga a mano la siguiente información:

Número de modelo y de serie del aparato. El nombre y la dirección del distribuidor en donde compró la unidad y la fecha de compra.

Una descripción clara del problema.

Un comprobante de compra (recibo de compra).

**Esta garantía cubre servicios para electrodomésticos dentro de los Estados Unidos continental y Canadá y donde esté disponible en Alaska, Hawaii y Puerto Rico.**

**Lo que no está cubierto bajo esta garantía:**

Reemplazo o reparación de fusibles domésticos, cortacircuitos, cableado o plomería.

Un producto cuyo número de serie original haya sido removido o alterado.

Cualquier cargo por servicio que no haya sido identificado específicamente como servicio normal, como puede ser el área o las horas de servicio.

Reemplazo de los focos.

Daños ocurridos durante el transporte.

Daños ocasionados por la instalación o el mantenimiento inadecuados.

Daños por el uso incorrecto, abuso, accidente, incendio, inundación o fenómenos de la naturaleza.

Daños debidos al servicio efectuado por un distribuidor o centro de servicio que sea diferente del autorizado por Haier.

Daños ocasionados por la corriente, el voltaje o el suministro eléctrico incorrectos.

Daños que resulten de cualquier modificación hecha en el producto, alteración o ajustes no autorizados por Haier.

Ajuste de los controles manejados por el cliente según han sido identificados en el manual del propietario.

Mangueras, perillas, bandejas de pelusa y todos los otros aditamentos, accesorios y piezas desechables.

Cargos por mano de obra, transporte para el servicio y envío para la remoción y el reemplazo de las piezas defectuosas que se efectúen después del periodo inicial de 12 meses.

Daños ocasionados por un uso diferente al doméstico normal.

Cualquier gasto de transporte y de envío.

**ESTA GARANTÍA LIMITADA REEMPLAZA TODAS LAS OTRAS GARANTÍAS, EXPRESAS O IMPLÍCITAS QUE INCLUYAN, ENTRE OTRAS, LAS GARANTÍAS DE COMERCIABILIDAD O DE CAPACIDAD PARA UN PROPÓSITO EN PARTICULAR**

El recurso provisto en esta garantía es exclusivo y está otorgado en lugar de cualquier otro recurso.

Esta garantía no cubre daños incidentales o consecuentes, de modo que las limitaciones indicadas anteriormente pueden no aplicarse en su caso. Algunos estados no permiten las limitaciones acerca de cuánto tiempo dura una garantía implícita, de modo que las limitaciones arriba indicadas quizás no le correspondan.

Esta garantía le otorga derechos legales específicos, y es posible que usted tenga otros derechos, los cuales varían de un estado a otro.

Haier America  
Wayne, NJ 07470

## INFORMACIÓN A TENER EN CUENTA

Le agradecemos la compra de este producto de marca Haier. Este manual para el usuario lo ayudará a obtener el mejor funcionamiento de su nuevo refrigerador.

Para referencia futura, anote el número de modelo y de serie y la fecha de compra. La placa con el número de modelo o de serie está ubicada en una etiqueta dentro del refrigerador.

Engrape la prueba de compra a este manual para asistirle cuando necesite obtener servicio bajo la garantía.

\_\_\_\_\_  
Número de modelo

\_\_\_\_\_  
Número de serie

\_\_\_\_\_  
Fecha de compra





# IMPORTANT

**Do Not Return This Product To The Store**  
If you have a problem with this product, please contact the  
"Haier Customer Satisfaction Center" at  
1-877-337-3639.

DATED PROOF OF PURCHASE, MODEL #, AND SERIAL #  
REQUIRED FOR WARRANTY SERVICE

# IMPORTANT

**Ne pas Réexpédier ce Produit au Magasin**

Pour tout problème concernant ce produit, veuillez contacter le service des  
consommateurs "Haier Customer Satisfaction Center" au  
1-877-337-3639.

UNE PREUVE D'ACHAT DATEE EST REQUISE POUR BENEFICIER DE LA GARANTIE.

# IMPORTANTE

**No regrese este producto a la tienda**

Si tiene algún problema con este producto, por favor contacte el  
"Centro de Servicio al Consumidor de Haier" al  
1-877-337-3639 (Válido solo en E.U.A).

NECESITA UNA PRUEBA DE COMPRA FECHADA, NÚMERO DE MODELO  
Y DE SERIE PARA EL SERVICIO DE LA GARANTÍA

Made in China  
Fabriqué en Chine  
Hecho en China

# Haier

Haier America  
Wayne, NJ 07470