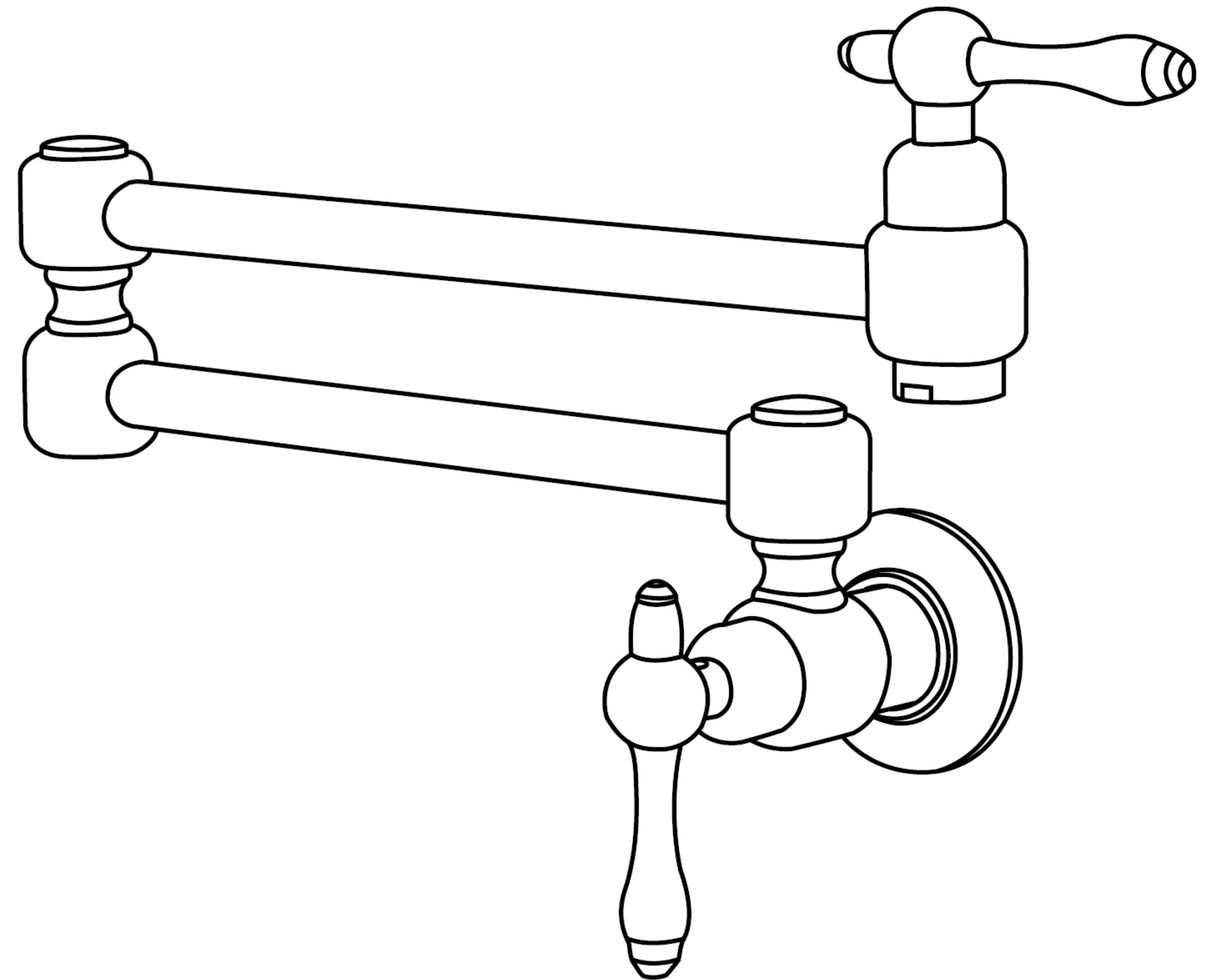


If you have any questions, please feel free to contact us.
Email: lowesteam@aminalife.com

Faucet maintenance

1. Do not disassemble the faucet parts without authorization.
2. Cleaning faucet: wipe with a soft towel or rag after wetting. Do not use hard and sharp cleaning tools to clean the faucet to avoid scratching the plating layer.
3. Avoid contact with corrosive liquids such as strong acids and alkalis.

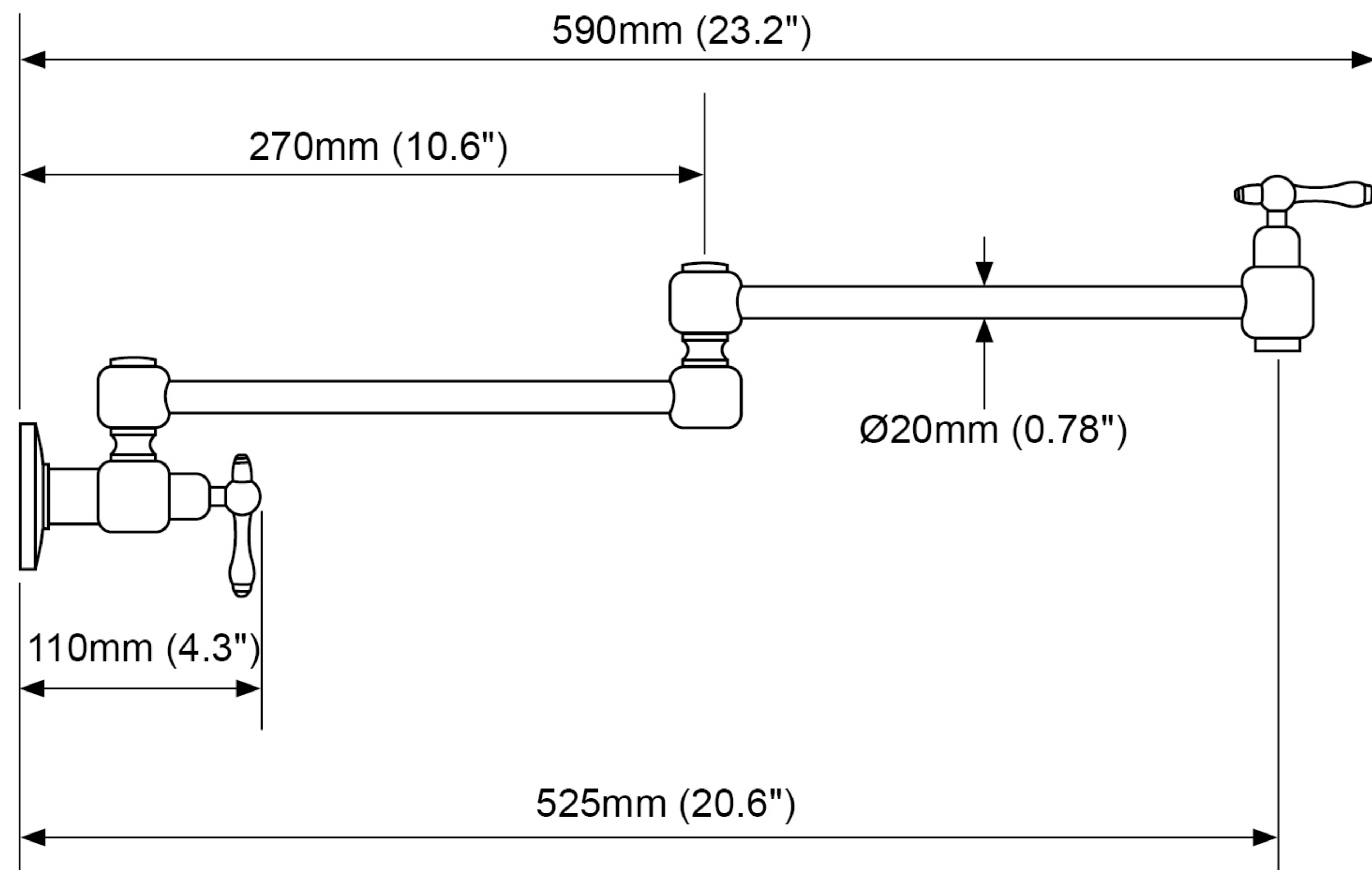
Pot Filler Faucet Installation Instruction



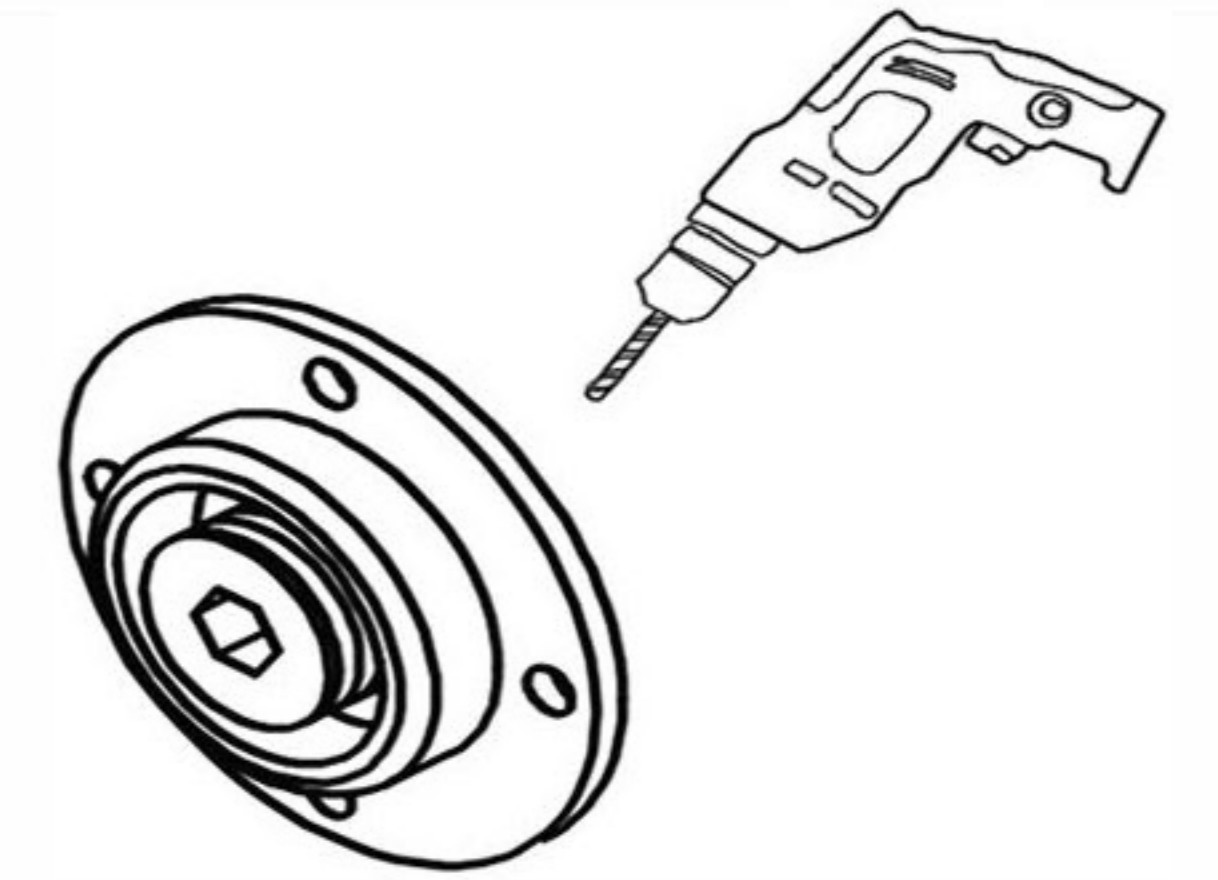
Thank you for choosing our Pot Filler Faucet

Please read the product manual carefully before installation.

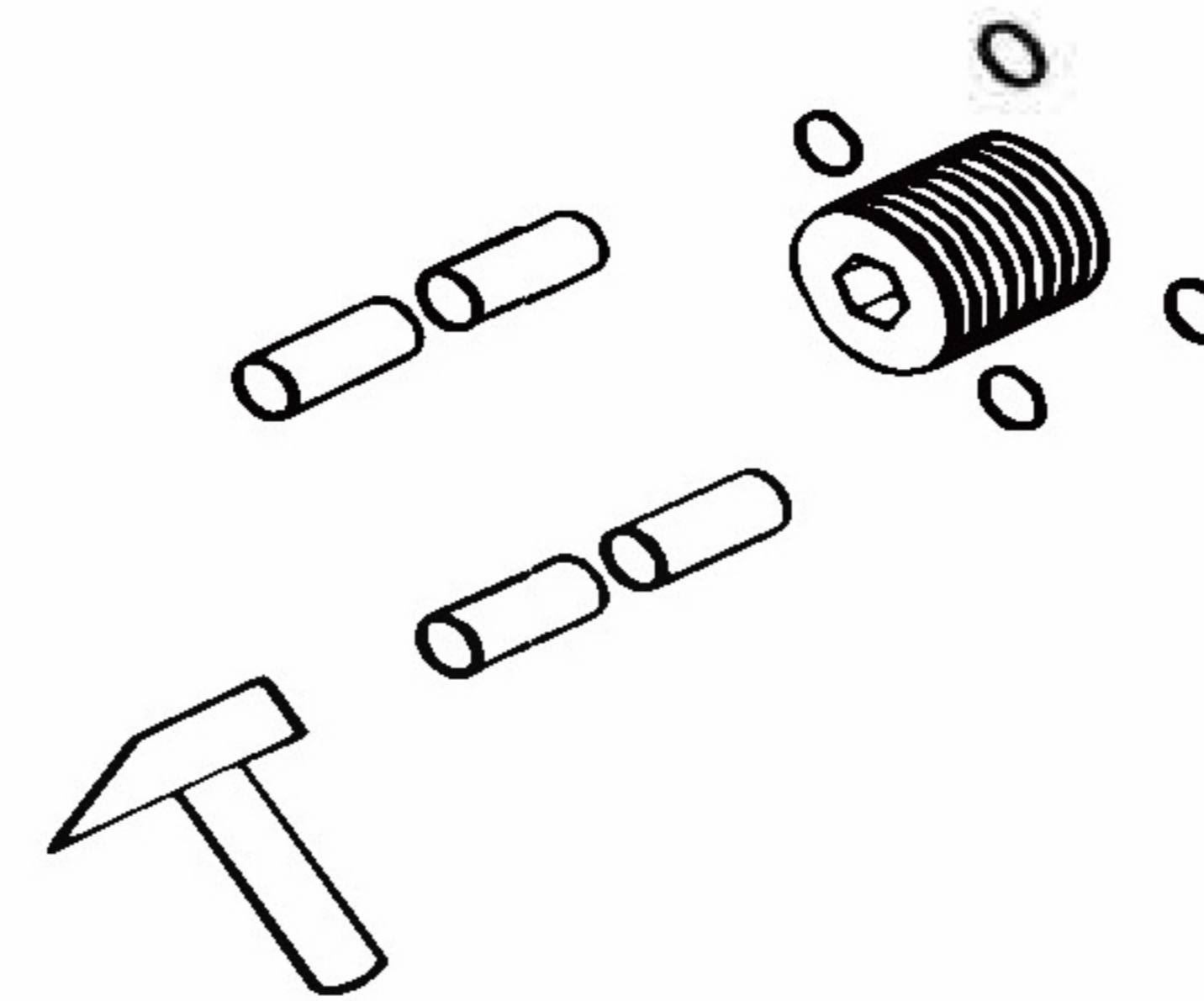
Please contact us if you encounter any problems during installation and use. We will try to provide you with effective solutions within 12 hours.



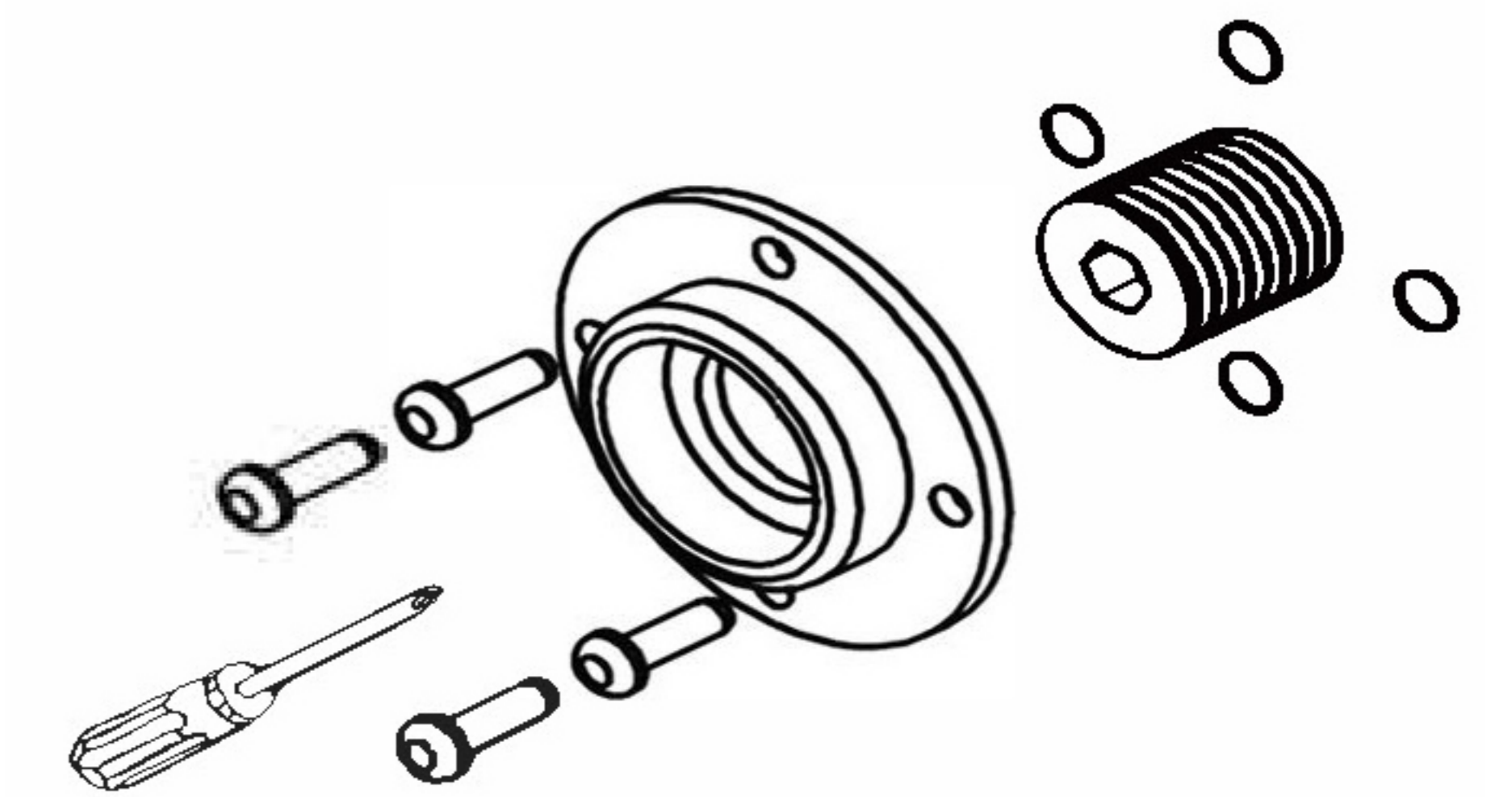
1. Wrap the sealing tape on the 1/2 NPT thread joint and connect the water pipe



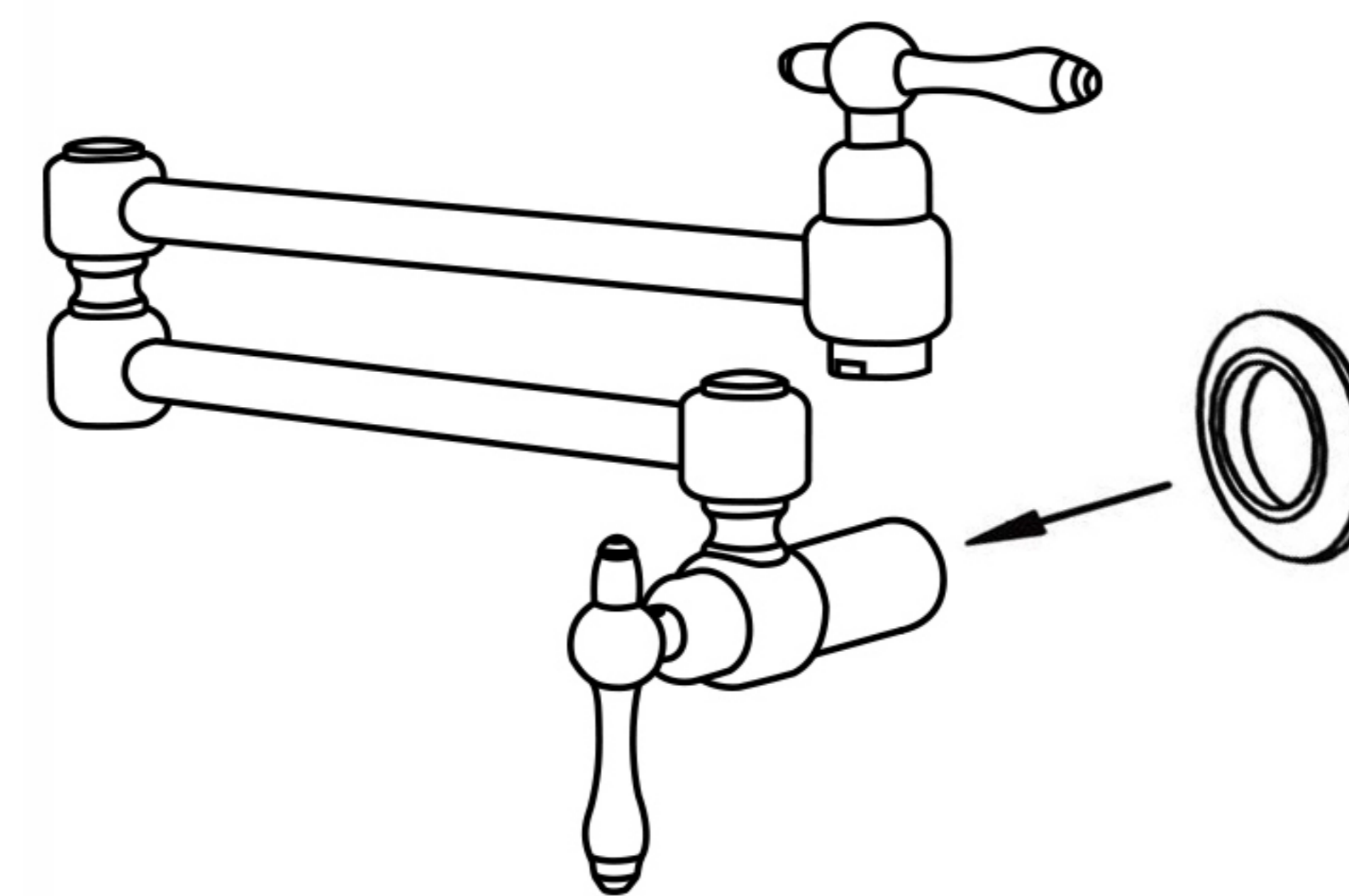
2. Put the base on the thread joint and punch



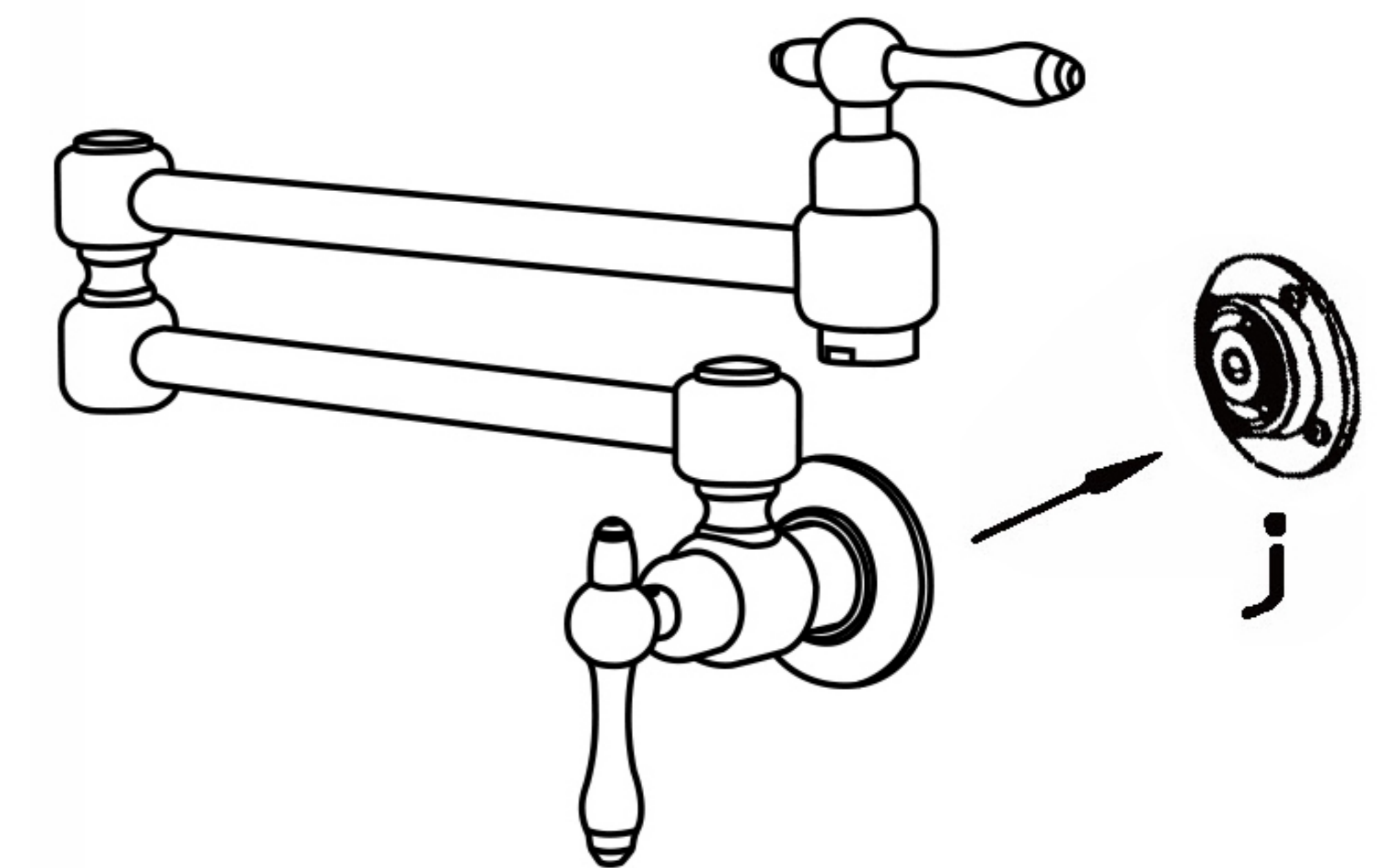
3. Knock the rubber nail into the hole



4. Fixing the base with screws



5. Put the decorative cover on the faucet interface tube



6. Connect the faucet to the thread joint on the wall, and use a hex wrench to tighten the screw from the side of the base to fix the base.