

COASTER
FINE FURNITURE®

800296

BOOK SHELF

**ASSEMBLY INSTRUCTION
COASTER FINE FURNITURE**



www.coastercompany.com

ASSEMBLY INSTRUCTION

ASSEMBLY TIPS:

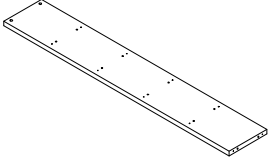
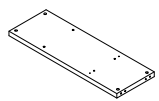
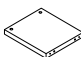
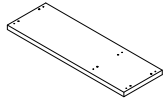
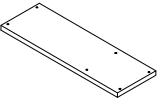
- 1.Remove hardware from box and sort by size.
- 2.Please check to see that all hardware and parts are present prior to start of assembly.
- 3.Please follow attached instructions in the same sequence as numbered to assure fast & easy assembly.

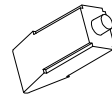
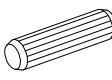
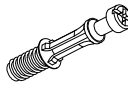


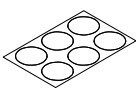


Warning!

- 1.Don't attempt to repair or modify parts that are broken or defective.Please contact the store immediately.
- 2.This product is for home use only and not intended for commercial establishment.

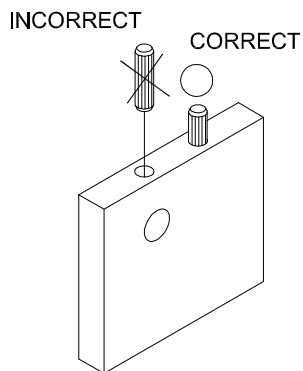
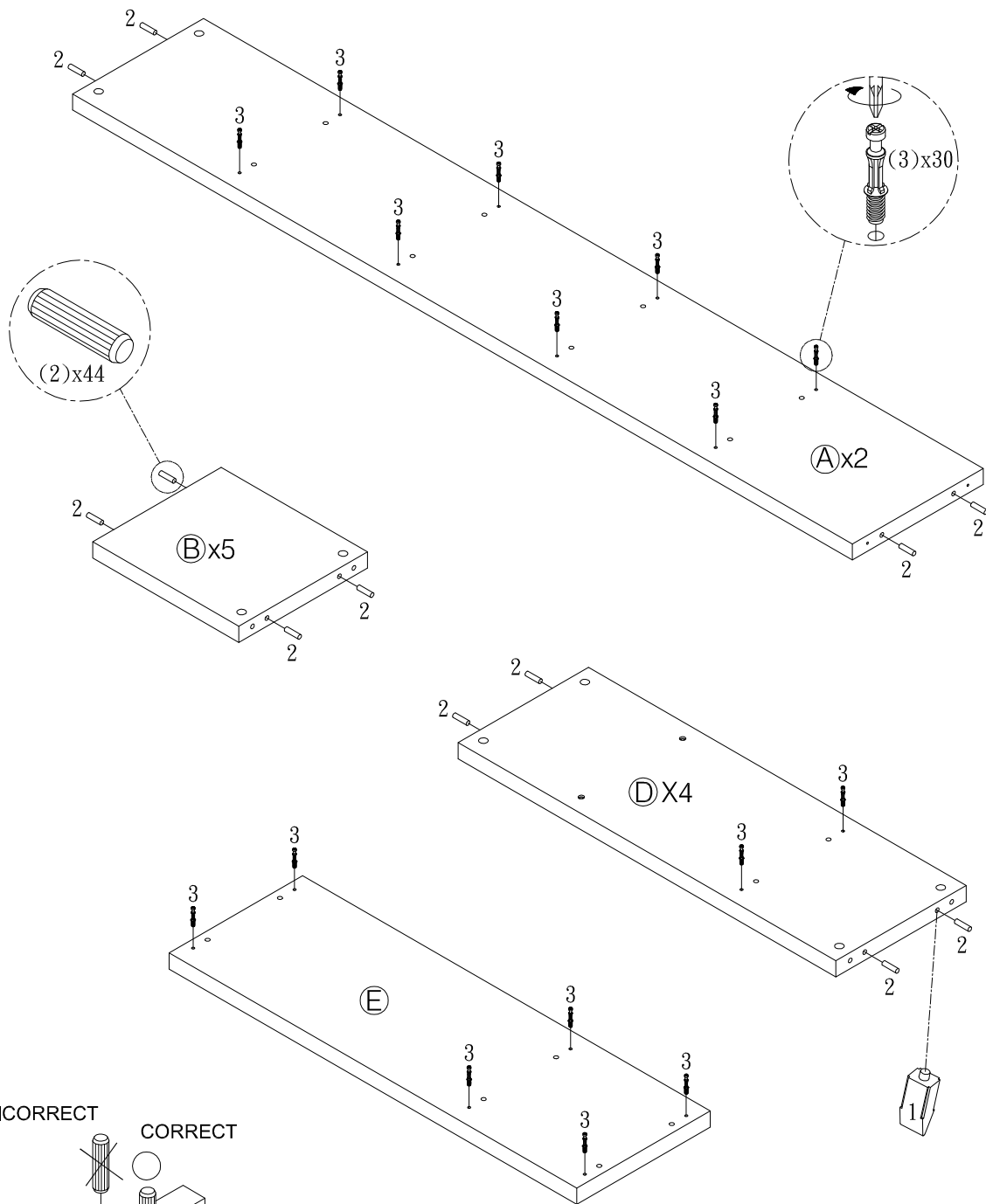
PARTS IDENTIFICATION:

(A) SIDE PANEL		2PCS	(D) CROSS PANEL		4PCS
(B) DIVIDER PANEL		5PCS	(E) TOP PANEL		1PC
(C) BOTTOM PANEL		1PC			

Z	HARDWARE PACKAGE		
NO	DESCRIPTION	FIGURE	Q'TY
1	GLUE 40g		1PC
2	WOODEN DOWEL \varnothing 8x30mm		44PCS
3	CAM BOLT \varnothing 7x35.5mm		30PCS
4	CAM LOCK \varnothing 15x12mm		30PCS
5	BOLT \varnothing 9.5x55mm		14PCS
6	STICKER \varnothing 20mm		5PCS

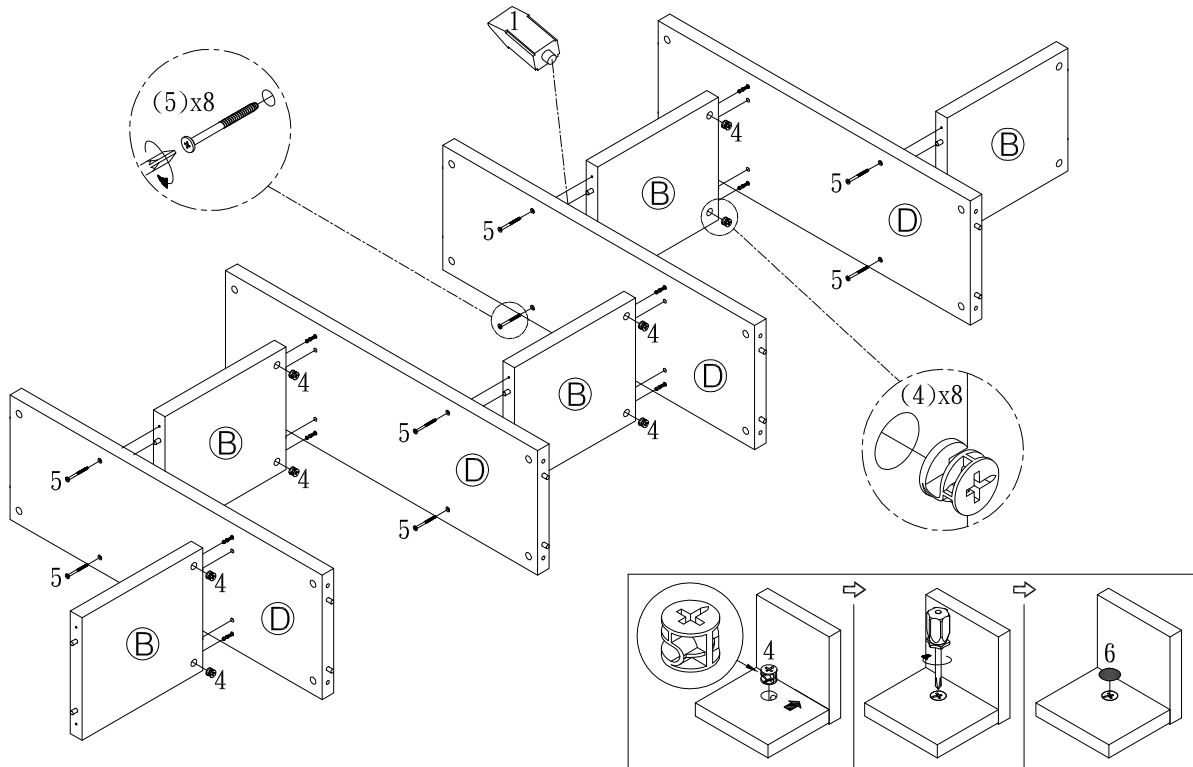
STEP 1

The Glue (1) should be used in the indicated locations to help solidify the assembled unit.



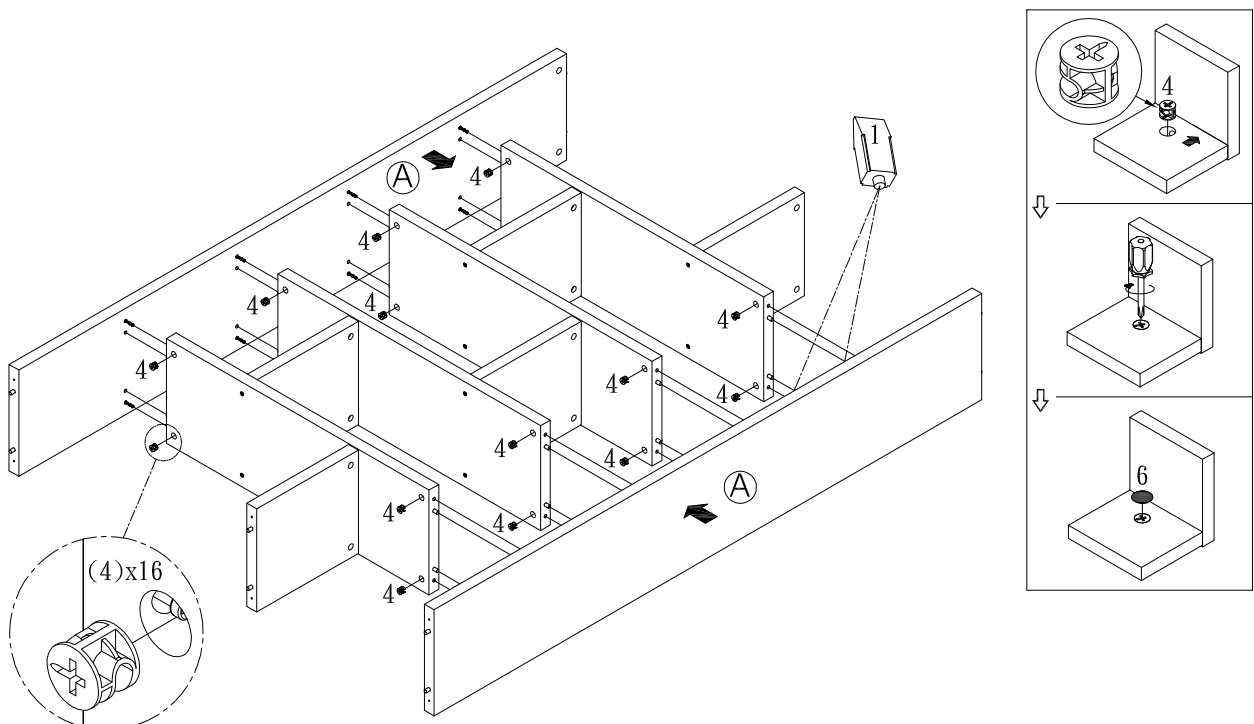
STEP 2

The Glue (1) should be used in the indicated locations to help solidify the assembled unit.



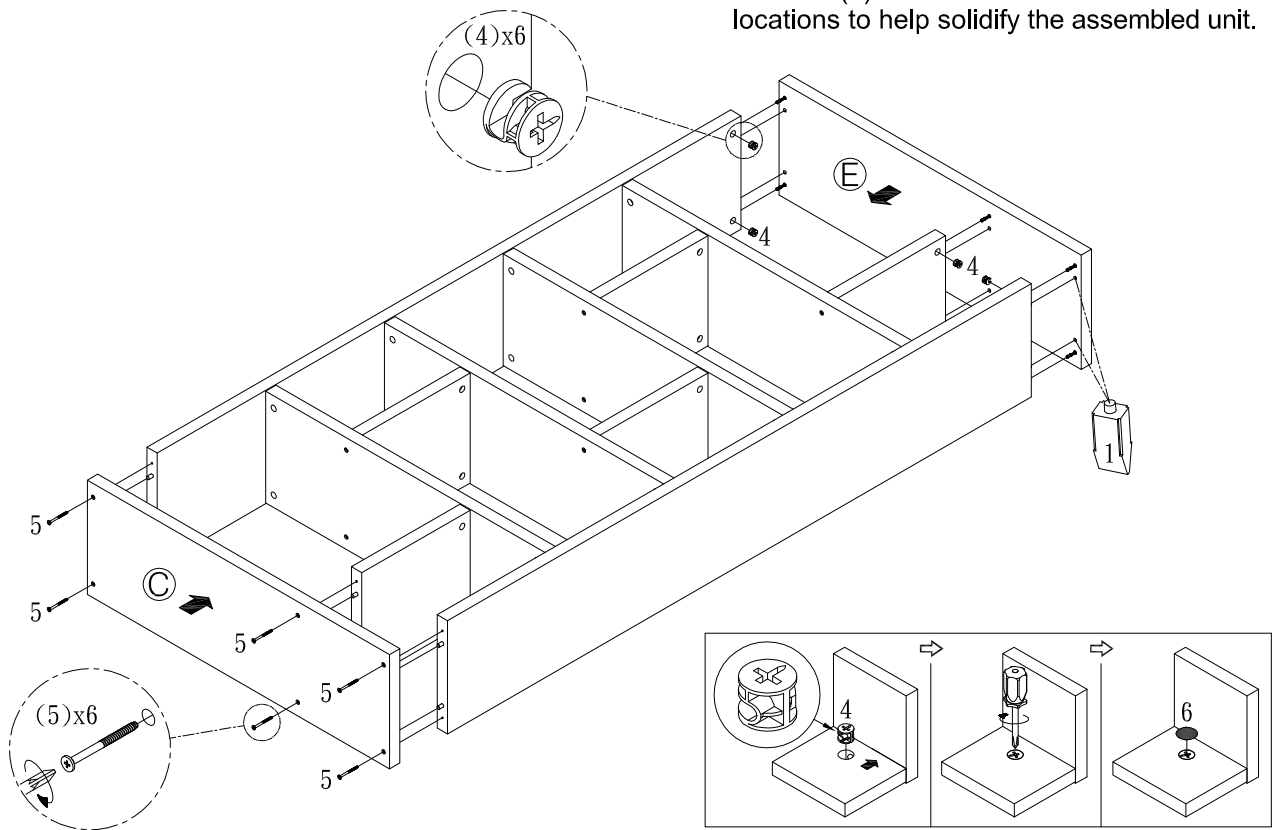
STEP 3

The Glue (1) should be used in the indicated locations to help solidify the assembled unit.

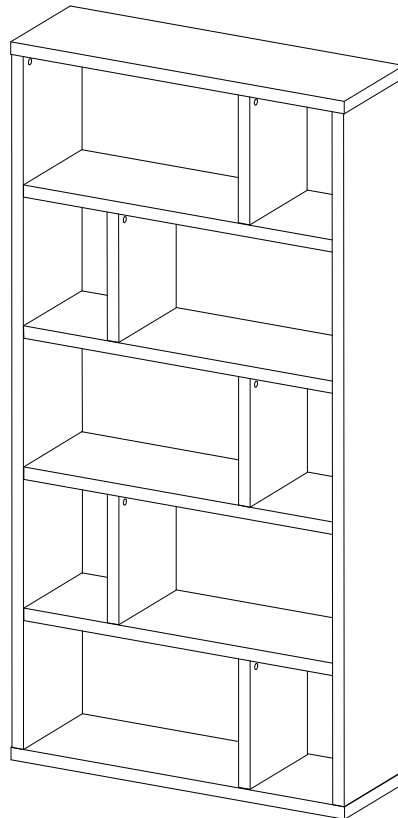


STEP 4

The Glue (1) should be used in the indicated locations to help solidify the assembled unit.



FINISH



Assembly Instruction as below:

Step 1: Insert (2) into the holes at two sides of (A)/(B)/(D) , Insert and screw (3) into the holes on the (A)/(D)/(E).

Step 2: Connect (B) with (D) by (5) , when (3) is connected inside (4) , tightly fasten (4) clockwise.

Step 3: Apply the same technique to connect (A) with step 2.

Step 4: Apply the same technique to connect (C)/(E) with step 3 by (5) and cover (4) with wood colored stickers (6).