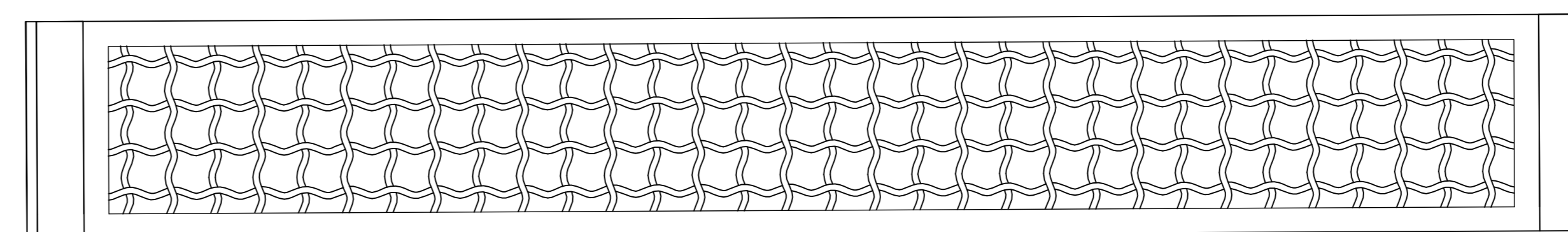
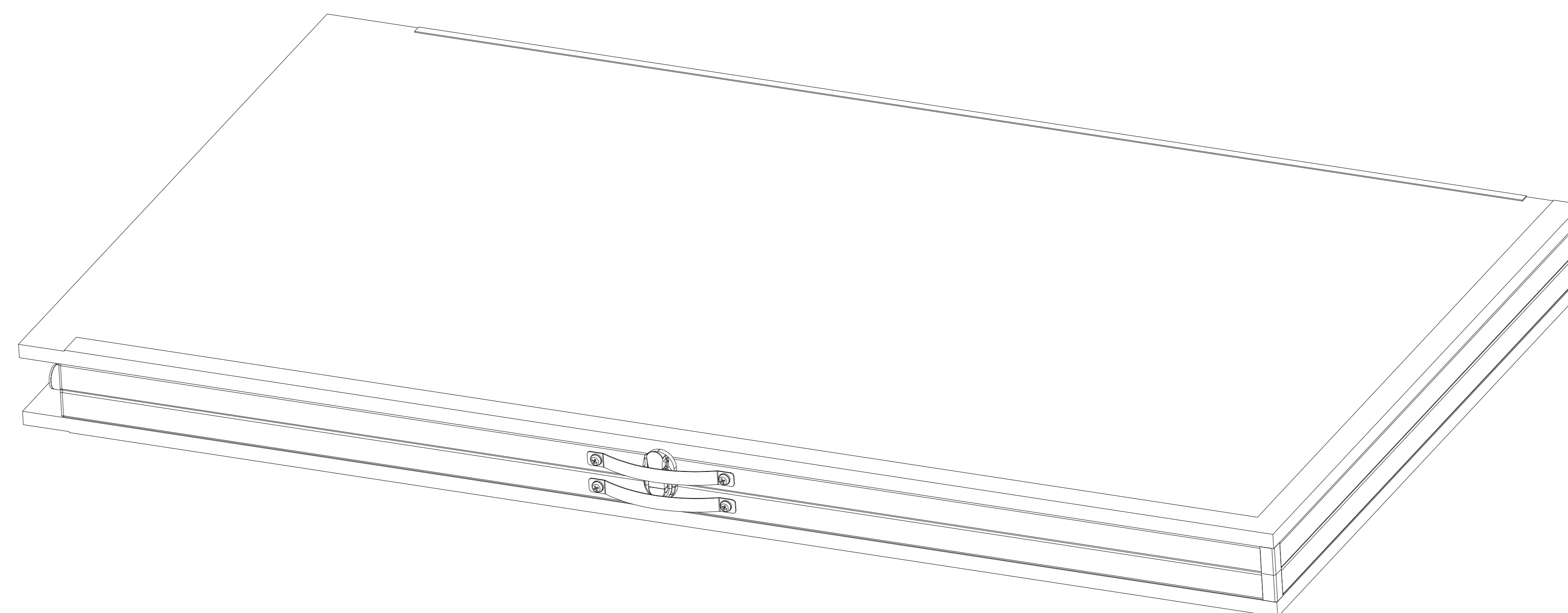


2PCS

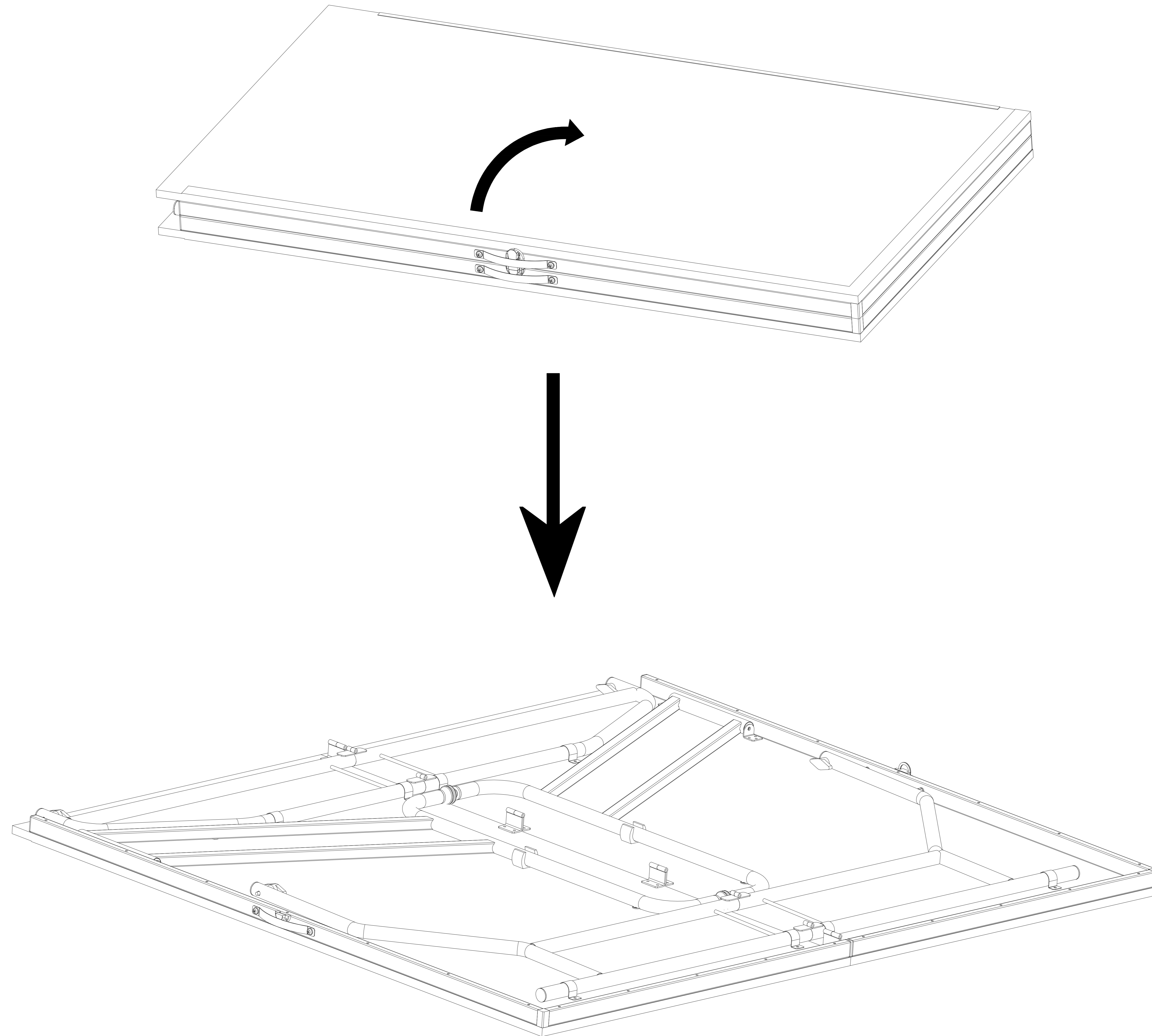


1PCS

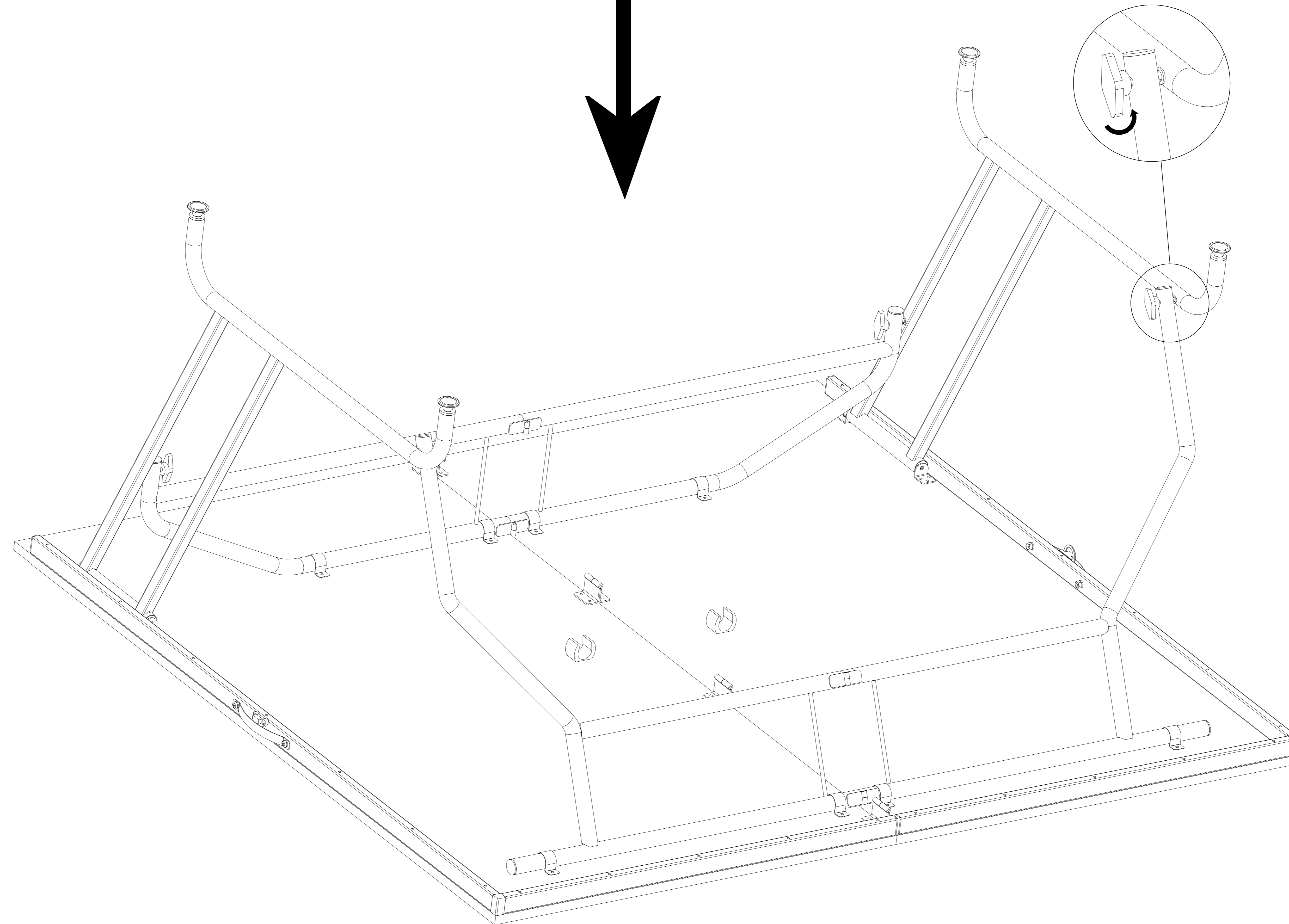
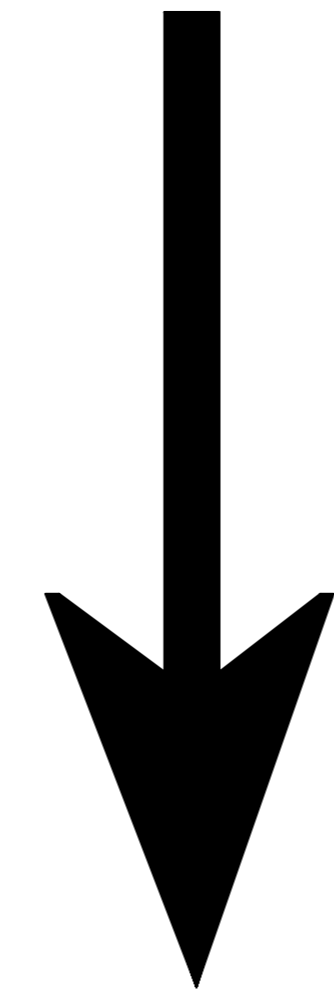
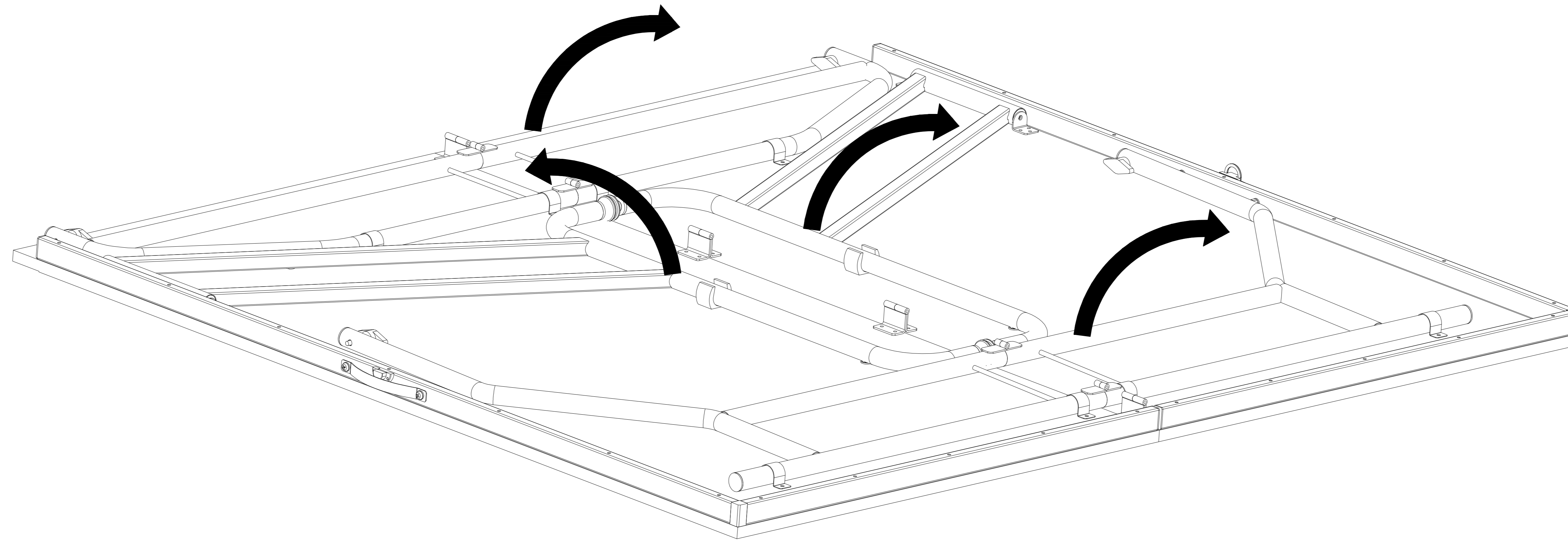


2PCS

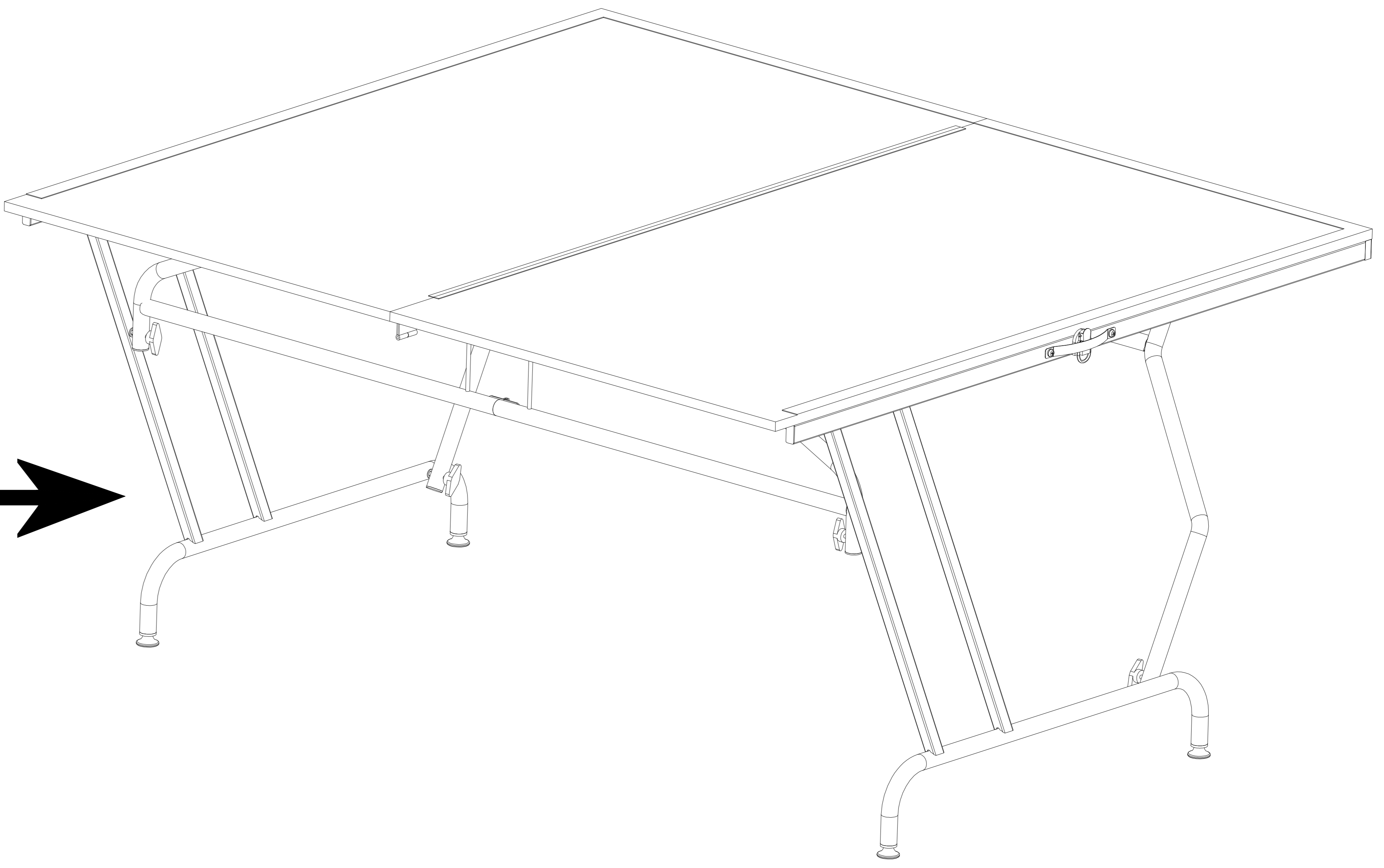
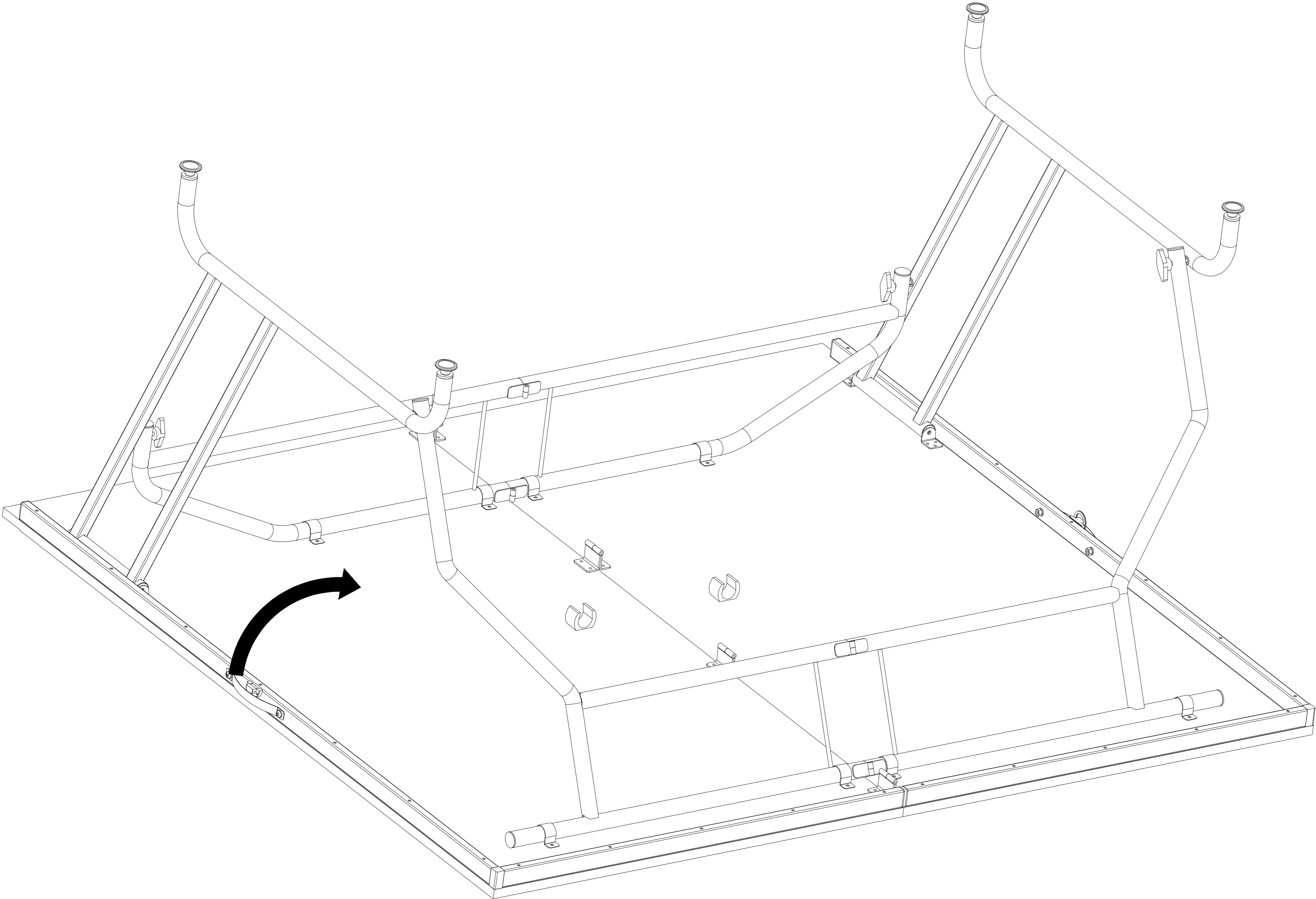
STEP 1



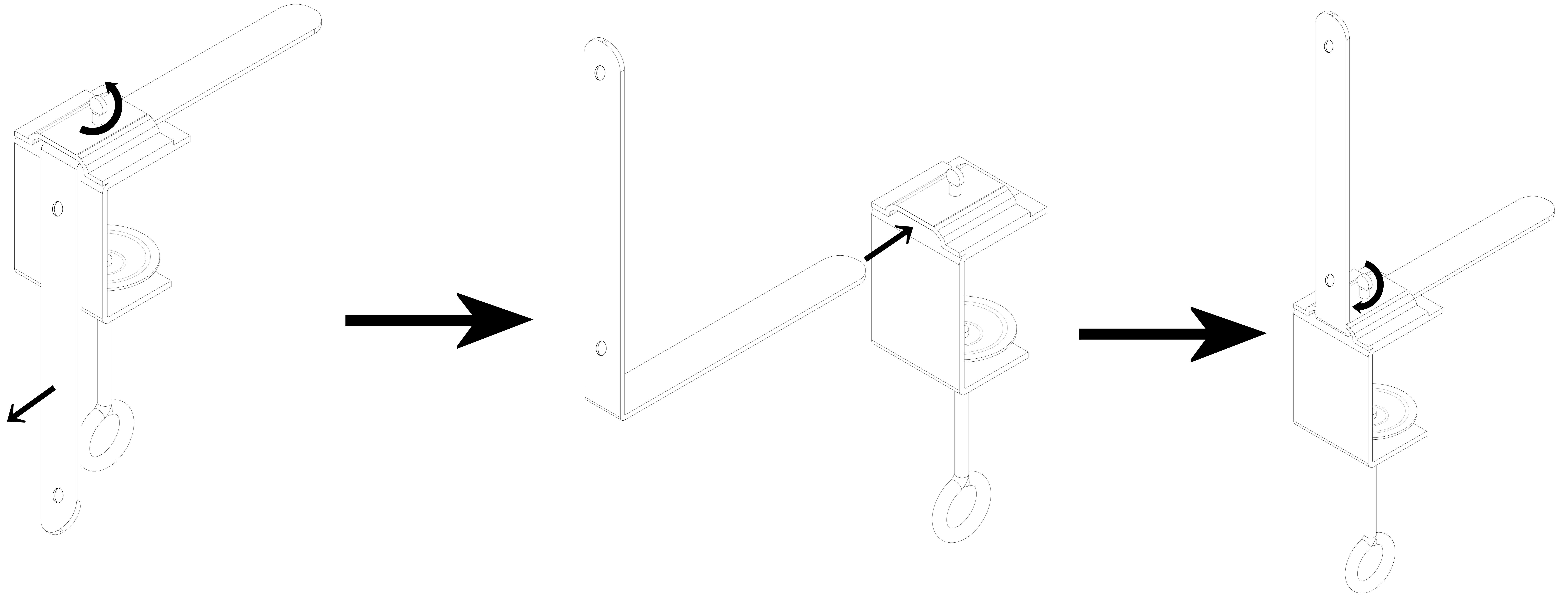
STEP 2



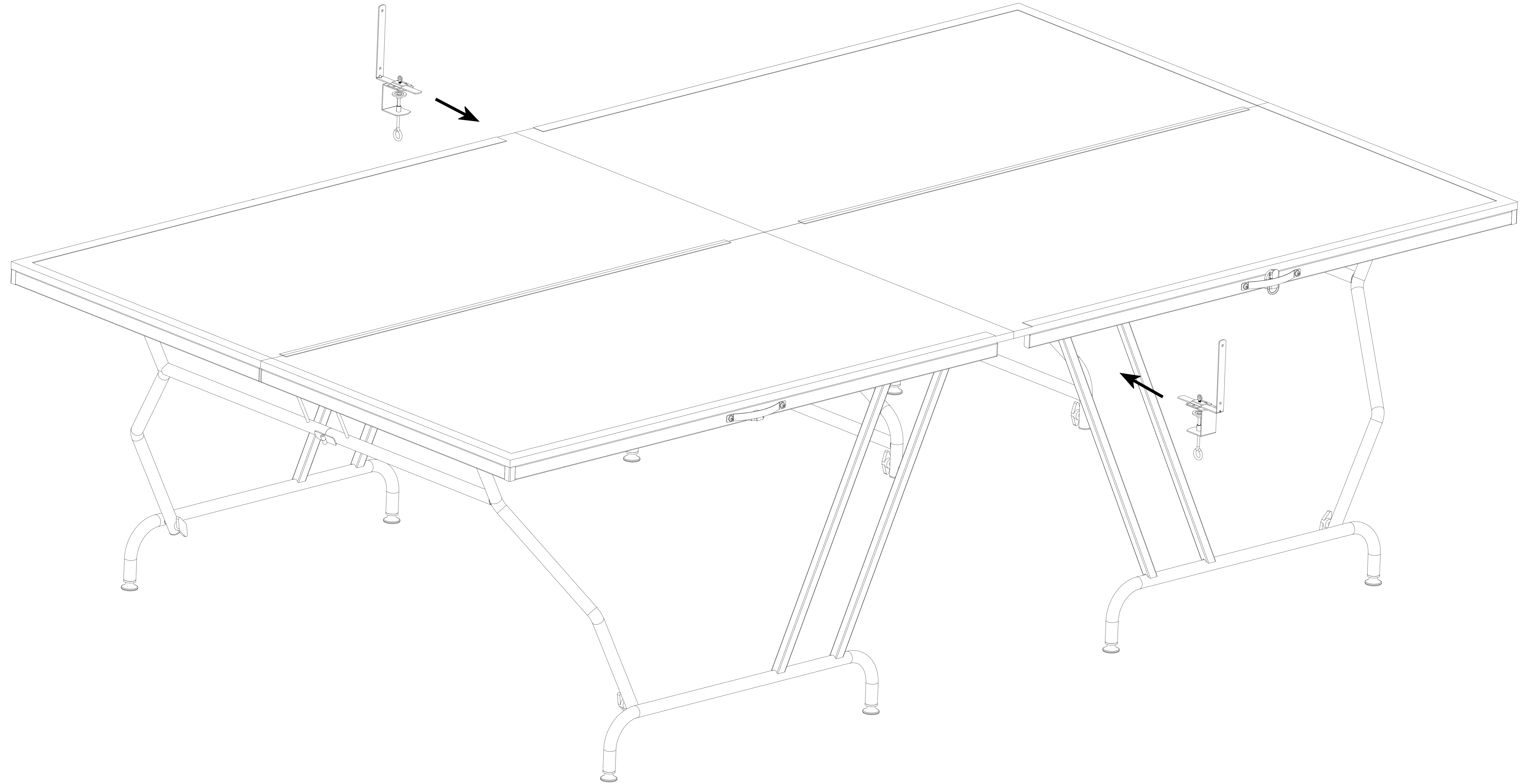
STEP 3



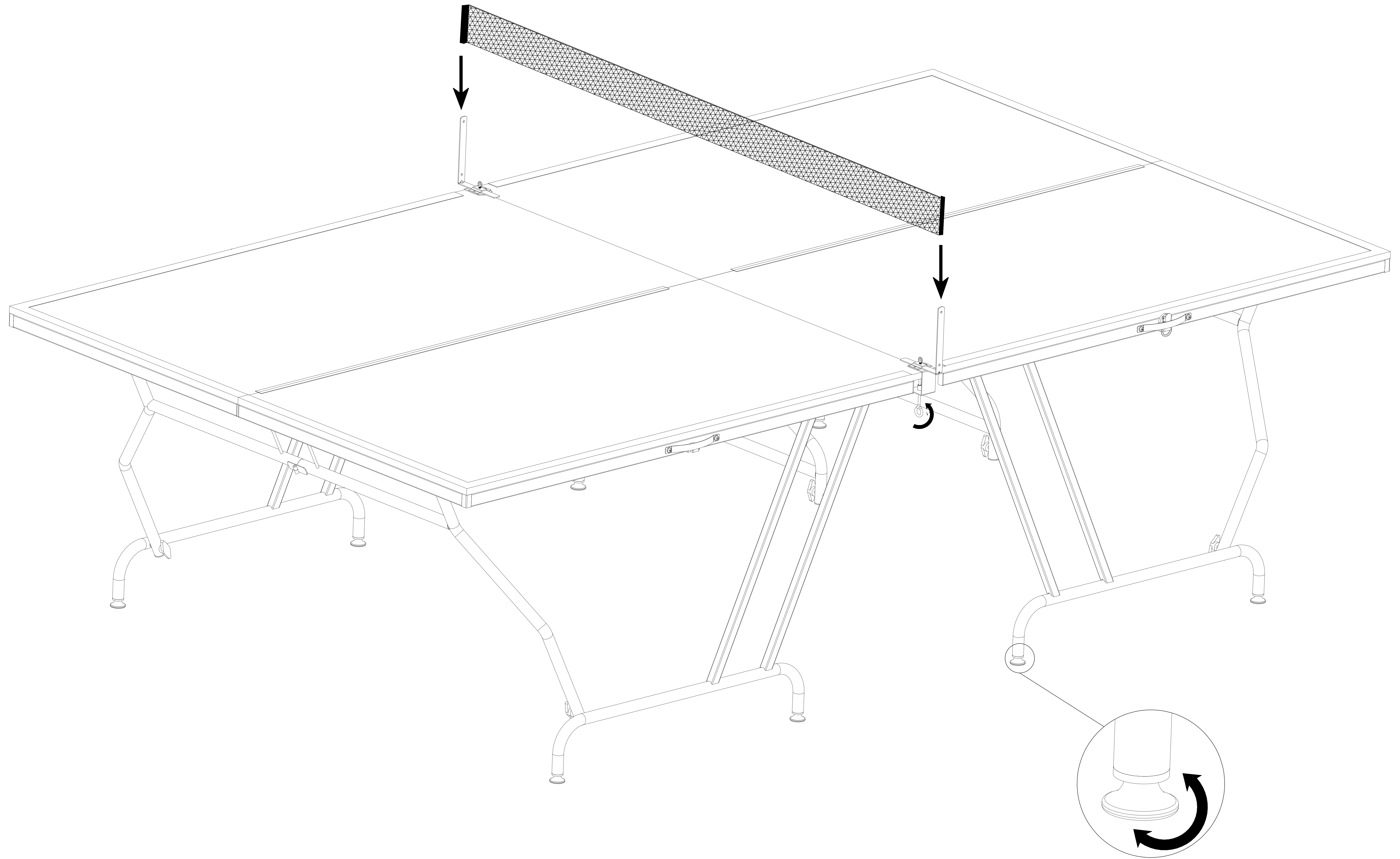
STEP 4



STEP 5



STEP 6



Need to rotate the anchor adjustment screw to make the table level