

Features

- Two handles offer separate control of hot and cold water
- 8.0 gpm (30.3 lpm) maximum bath faucet flow rate at 45 psi (3.1 bar)
- 1.75 gpm (6.6 lpm) maximum handshower flow rate at 80 psi (5.5 bar)
- KOHLER® ceramic disc valves exceed industry longevity standards for a lifetime of durable performance
- Coordinates with other products in the Components collection

Material

- Premium metal construction for durability and reliability
- KOHLER finishes resist corrosion and tarnishing

Installation

- Floor-mount

Required Products/Accessories

For freestanding installation
K-97339 Mounting block for select floor-mount bath fillers

Recommended Products/Accessories

K-78372 18" Towel Bar
K-78373 24" Towel Bar
K-78375 24" Double Towel Bar
K-78377 Hand Towel Arm
K-78378 Robe Hook
K-78379 Double Towel Arm
K-78382 Pivoting toilet paper holder
K-78383 Vertical toilet paper holder
K-78384 Covered double toilet paper holder

Included Components

K-21335-G Round two-function handshower, 1.75 gpm



Codes/Standards




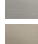
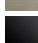


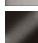

ASME A112.18.1/CSA B125.1
DOE - Energy Policy Act 1992
EPA WaterSense®
California Energy Commission (CEC)
NOM Standards
NOM 008-CONAGUA

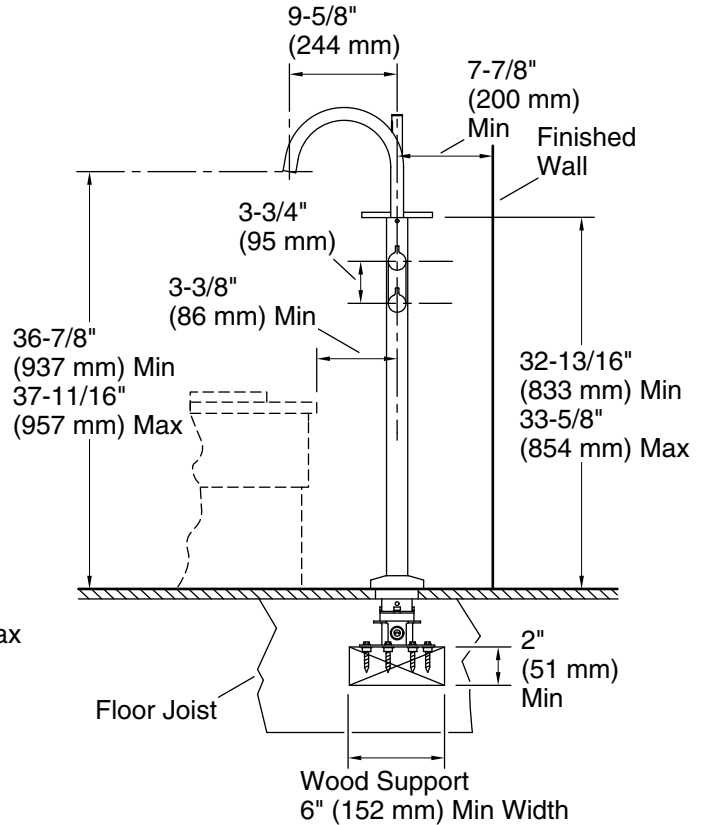
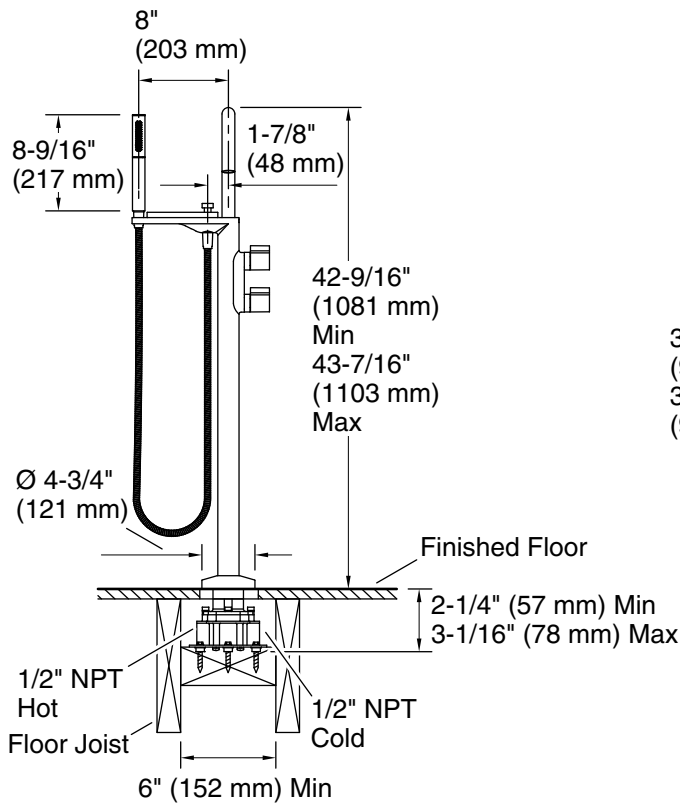
KOHLER® Faucet Lifetime Limited Warranty

See website for detailed warranty information.

Available Colors/Finishes

Color tiles intended for reference only.

Color	Code	Description
	CP	Polished Chrome
	SN	Vibrant® Polished Nickel
	AF	Vibrant® French Gold
	BN	Vibrant® Brushed Nickel
	BV	Vibrant® Brushed Bronze
	BL	Matte Black
	2MB	Vibrant® Brushed Moderne Brass
	TT	Vibrant Titanium
	BGP	Vibrant Brushed Graphite



Technical Information

All product dimensions are nominal.

Faucet flow rate: 8 gal/min (30.3 l/min)

Spout:

Spout reach: 9-5/8" (244 mm)

Handshower rated max flow: 1.75 gal/min (6.6 l/min)

Notes

Install this product according to the installation instructions.