

**41 inch 11 Drawer Powder Coated Steel
Roller Cabinet**

**Model:
RX412511RC
RX4111RC**

Extreme Tools, Inc.
740 Frontenac Road
Naperville, Illinois 60563
630.369.9303
www.ExtremeTools.com

PARTS LIST - RX412511RC or RX4111RC

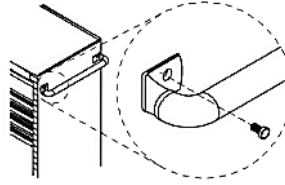
Item	Part number	Description	Qty.
7	ZDRR960E2QWKC	RX41 drawer #1, 25" deep, 100# slide, Black w/Cr drawer pull	1
7	ZDRR960E2QWUC	RX41 drawer #1, 25" deep, 100# slide, Blue w/Cr drawer pull	1
1	ZDRR324E1QWKC	RX41 drawer #2, 25" deep, 100# slide, Black w/Cr drawer pull	3
1	ZDRR324E1QWUC	RX41 drawer #2, 25" deep, 100# slide, Blue w/Cr drawer pull	3
2	ZDRR324E2QWKC	RX41 drawer #3, 25" deep, 100# slide, Black w/Cr drawer pull	1
2	ZDRR324E2QWUC	RX41 drawer #3, 25" deep, 100# slide, Blue w/Cr drawer pull	1
3	ZDRR324E3QWKC	RX41 drawer #4, 25" deep, 100# slide, Black w/Cr drawer pull	1
3	ZDRR324E3QWUC	RX41 drawer #4, 25" deep, 100# slide, Blue w/Cr drawer pull	1
4	ZDRR594E1QWKC	RX41 drawer #5, 25" deep, 100# slide, Black w/Cr drawer pull	3
4	ZDRR594E1QWUC	RX41 drawer #5, 25" deep, 100# slide, Blue w/Cr drawer pull	3
5	ZDRR594E2QWKC	RX41 drawer #6, 25" deep, 100# slide, Black w/Cr drawer pull	1
5	ZDRR594E2QWUC	RX41 drawer #6, 25" deep, 100# slide, Blue w/Cr drawer pull	1
6	ZDRR594E3QWKC	RX41 drawer #7, 25" deep, 100# slide, Black w/Cr drawer pull	1
6	ZDRR594E3QWUC	RX41 drawer #7, 25" deep, 100# slide, Blue w/Cr drawer pull	1
8	ZMDF412515MM	MDF TOP FOR RX412511RC, 15 mm thick, Black	1
9	Z-LK EX01-04	EX01-EX04 Mix lock sets	1
10	Z-ECRX	RX Plastic End Cap	2
11	ZTRRX866-CR	RX41 cabinet vertical trim, 866mm, AL, Left=Right, Chrome	2
12	ZHDRX25-SS	RX side handle, for 25" deep unit, 19" space, SS	1
13	ZM6SCHX-15	RX series drawer handle screws.	4
14	ZM10BTSR-25	M10 Serrated head hex bolts	16
15	Z-CA6R(CRS)	6X2 MAG wheel swivel with brake, NO LOGO	2
16	Z-CA6R(CR)	6X2 Chrome Mag Caster (Rigid)	2
17	ZSLW530F520	100 lb. Drawer Slide set	16 sets
17A	Z-DTEX56	Detents for slides (come with slides)	32
18	ZDL933X559 PVC	Drawer liner, large, 933x559, PVC, Black	1
19	ZDL567X559 PVC	Drawer liner, med, 567x559, PVC, Black	5
20	ZDL297X559 PVC	Drawer liner, small, 297x559, PVC, Black	5
20A	Z-DL412511RC-Kit	Liner kit, 1 large, 5 midium & 5 small (For re-order purpose)	1 set
21	ZDPQRX960-CR	RX drawer pull assy, 960 mm, CR, DDT for RX41	1
22	ZDPQRX594-CR	RX drawer pull assy, 594 mm, CR, DDT for RX41	5
23	ZDPQRX324-CR	RX drawer pull assy, 324 mm, CR, DDT for RX41	5
24	Z-LGS	Extreme Tools name plate	1
25	Z-LGL	Extreme Tools Logo	1

ASSEMBLY

Handle Installation

NOTE: Assemble the handle first to make it easier to move the tool cabinet.

Position the handle over the holes in the cabinet and attach with the provided (4) M6-1.0 x 12 SH screws. Tighten securely.

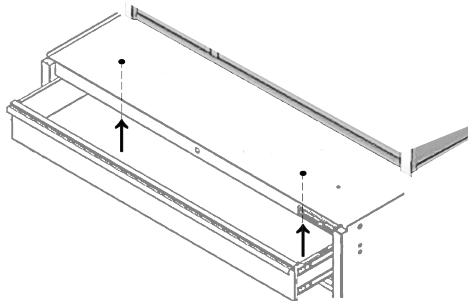


Securing Top Chest and Roller Cabinet

Place the chest on the cabinet. Open the top drawer and locate the two holes under the top surface of the roller cabinet.

Place one flat washer on each of (2) M6 x 12mm hex bolts.

Insert hex bolt with washer up through the hole of the roller cabinet and into the hole on the bottom side of the top chest. Tighten securely.



Caster Installation

NOTE: Lock the drawers BEFORE proceeding!

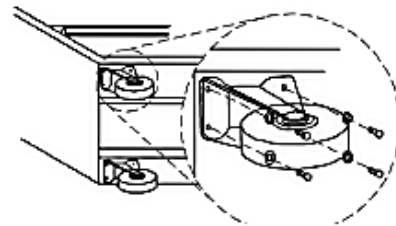
Cabinet is heavy. Installation requires assistance of another adult to complete this step.

With assistance, carefully lay the cabinet on its back onto a soft surface such as a mat to protect the cabinet finish.

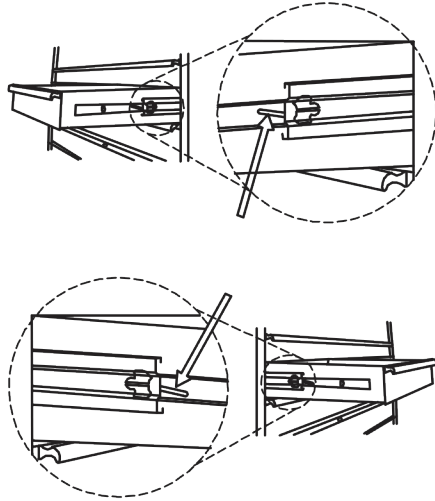
Position each swivel casters on the bottom of the cabinet.

Use (4) M10 hex bolts to install each caster. (Please note: M10 hex bolts have built-in washers and do not require an additional washers.) Insert M10 Hex Bolts through the bottom of the caster and then insert the end of the bolts into the holes in the bottom of the Cabinet. Tighten all 4 bolts securely. **LOCK CASTER!**

Repeat instructions above for installing all casters. **LOCK ALL CASTERS BEFORE** lifting cabinet to upright position!



OPERATING PROCEDURE



Drawer Removal

Pull drawer out so that it is almost fully extended.

Push up on the black lever on one drawer slide and at the same time push down on the lever on the other side.

With the levers in these positions, pull the drawer out until it releases from the drawer slides.

Drawer Replacement

Extend the drawer slides.

Careful align the brackets on the sides of the drawers with the slots of the cabinet slides. Insert the brackets on the side of each drawer into the slots of the cabinet slides.

Once properly inserted, completely close the drawer to set the slides into their properly functioning positions.

MAINTENANCE

Lubricate the casters once a year with high quality ball bearing grease.

Lubricate the slides twice a year with high quality, petroleum-based lubricant. This may be required more often if operating the tool box in colder climates.

Use mild detergent and water to clean drawer fronts, drawer trim and other surfaces.

Grease and oil can be removed with standard, non-abrasive, non-flammable cleaning products.

Auto wax will help preserve the unit's high gloss finish. Follow directions as provided.

SAFETY



WARNING

Do not attempt to lift the cabinet by its side handle using chains, ropes or lifting device. Side handle may fail resulting in personal injury or damage to the product!
Use a forklift or similar lifting device with forks placed under the bottom of the tool box to move if tool box cannot be moved by two people.

Close the drawers and lock the tool box before moving this product! If drawers are not locked they could open and make the product unstable and tip which may cause personal injury or damage to the product.

Do NOT stand on this product or lean on the drawer or work top.

Wear safety glasses when removing or repositioning the slides. The tool box could slip resulting in personal injury.

Do NOT mount this product on a truck bed or other moving object. This may cause personal injury or product damage. Mounting this product on any surface will void the warranty.

Do NOT tow with power equipment. The product could tip which may cause personal injury or product damage.

Do NOT alter this product in any manner or attach electrical equipment. This may cause personal injury or product damage and will void the warranty.

If using the combination top chest and roller cabinet, the top chest MUST be secured to the roller cabinet by following the directions provided. Not securing the top chest to the roller cabinet may cause the product to become unstable which may cause personal injury or damage to the product.



CAUTION - IMPORTANT PRODUCT INFORMATION

DRAWERS MUST BE CLOSED AND TOOL BOX LOCKED USING KEYS BEFORE MOVING!

The maximum weight for each drawer should not exceed 100 lbs. (45 kg) for single slides and 200 lbs. (90 kg) for drawers with double slides.

Maximum overall weight should not exceed 2,700 lbs. (1,224 kg.)

Use caution when closing the chest lid. Remove hands from the area before closing to prevent personal injury.

Do NOT pull this product. Push the product to prevent personal injury.

ENGAGE THE BRAKES when not moving this product. Locked casters prevent the product from rolling which may result in personal injury or damage to the product.

This product may become unstable and tip if more than one drawer is open at a time. To prevent personal injury or damage to product, OPEN ONLY ONE DRAWER AT A TIME.

Lock product and properly secure before moving with a forklift or other device.

Keep the product on a level surface. The product could become unstable and tip if stored or moved on an uneven surface which may result in personal injury or product damage.

Remove the work surface from the roller cabinet before installing top chest.