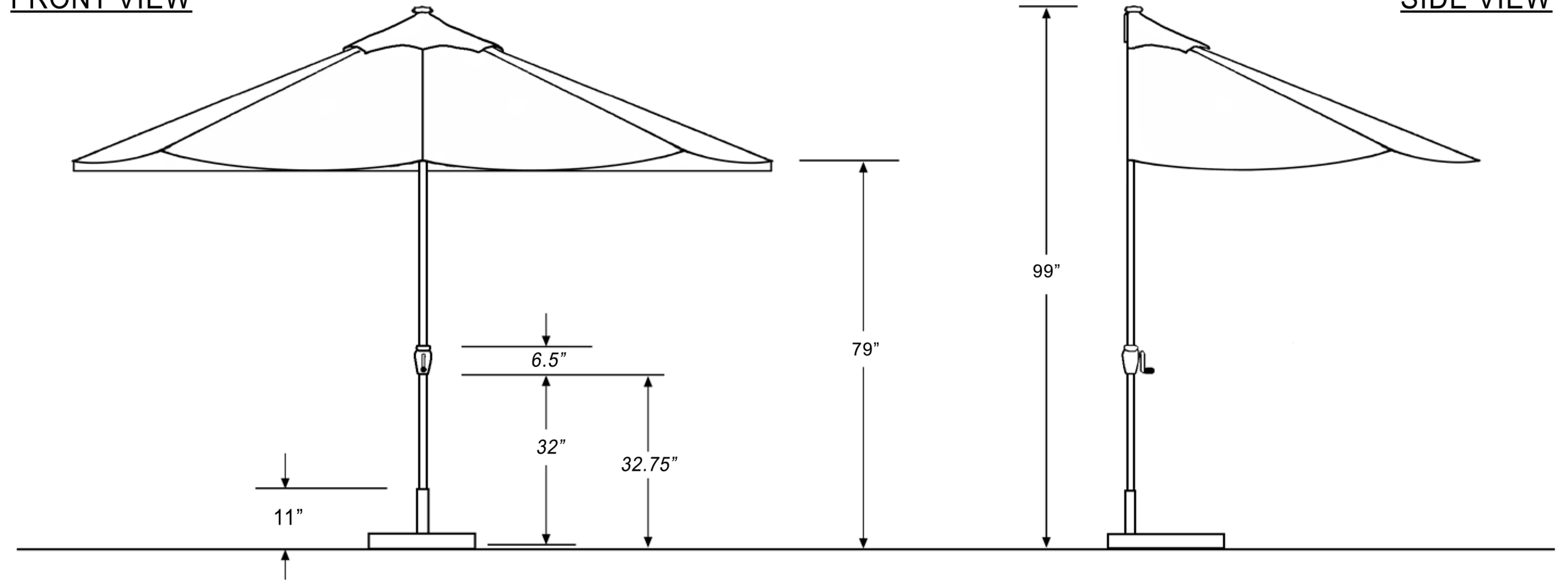


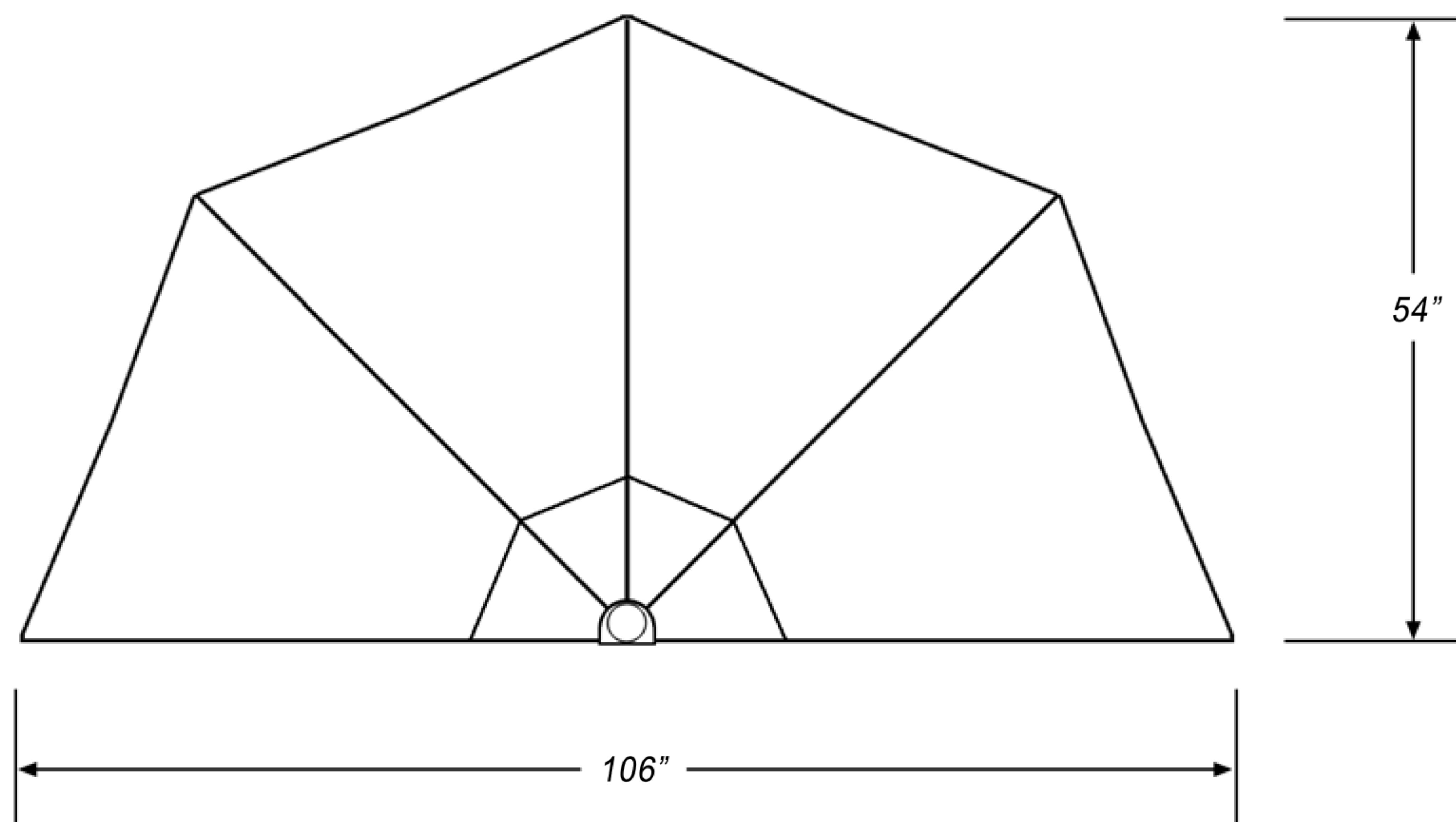
9 Ft. OFF-THE-WALL BRELLA® - (Cat. No. OTWB9) // SHOWN WITH CUSTOM CAST BASE - (CCB-2)

FRONT VIEW



SIDE VIEW

TOP VIEW



- Aluminum Frame
- Powder Coat Finish
- 1½" O.D. Pole
- Crank Lift Canopy
- Champagne Color
- Finial
- Wall Bumper



(800) 293-2323

www.BlueStarGroup.BIZ