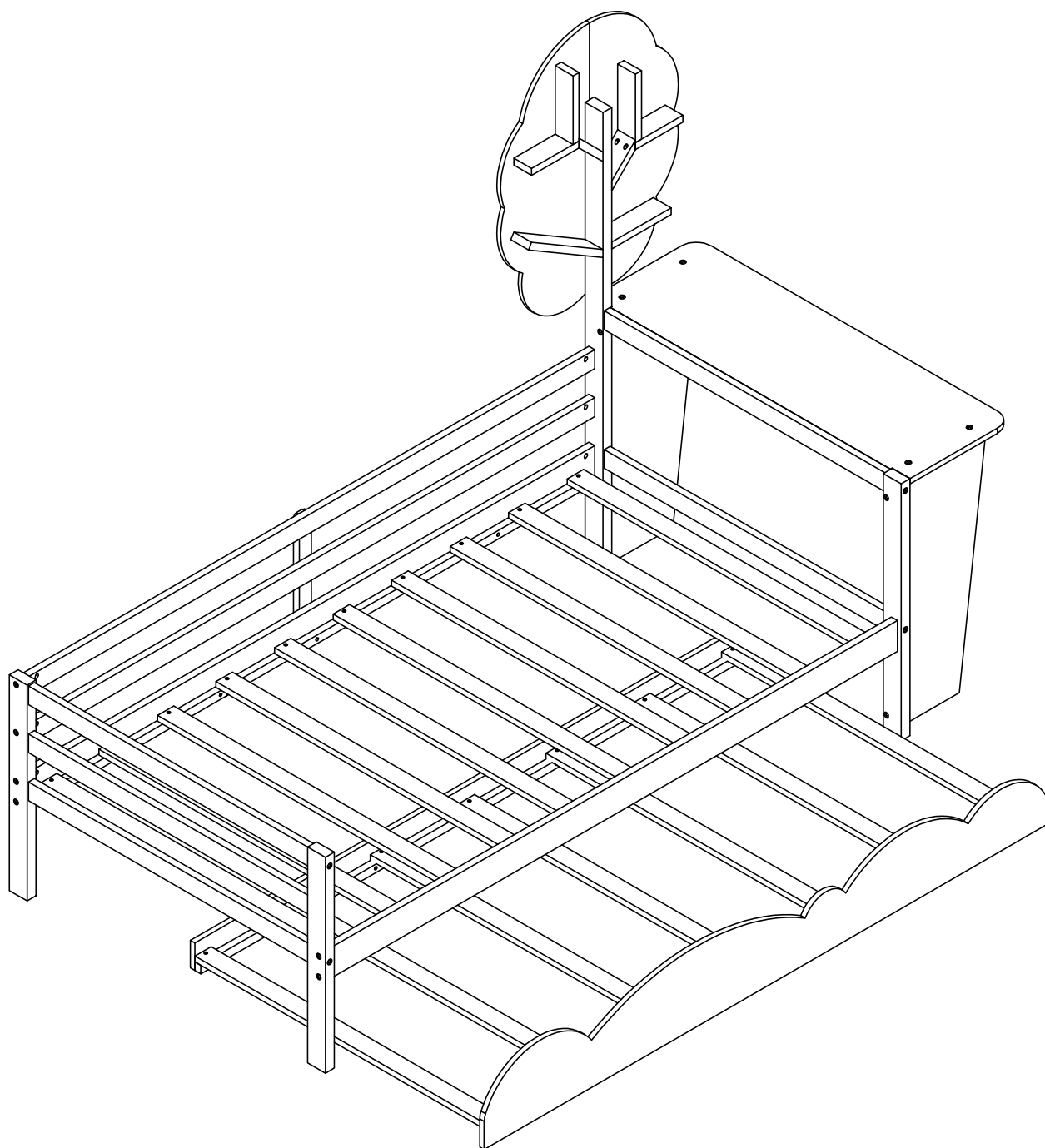


# ASSEMBLY INSTRUCTIONS



This set is included 1 boxes if don't receive full 1 boxes please contact our customer service team.

WF303127

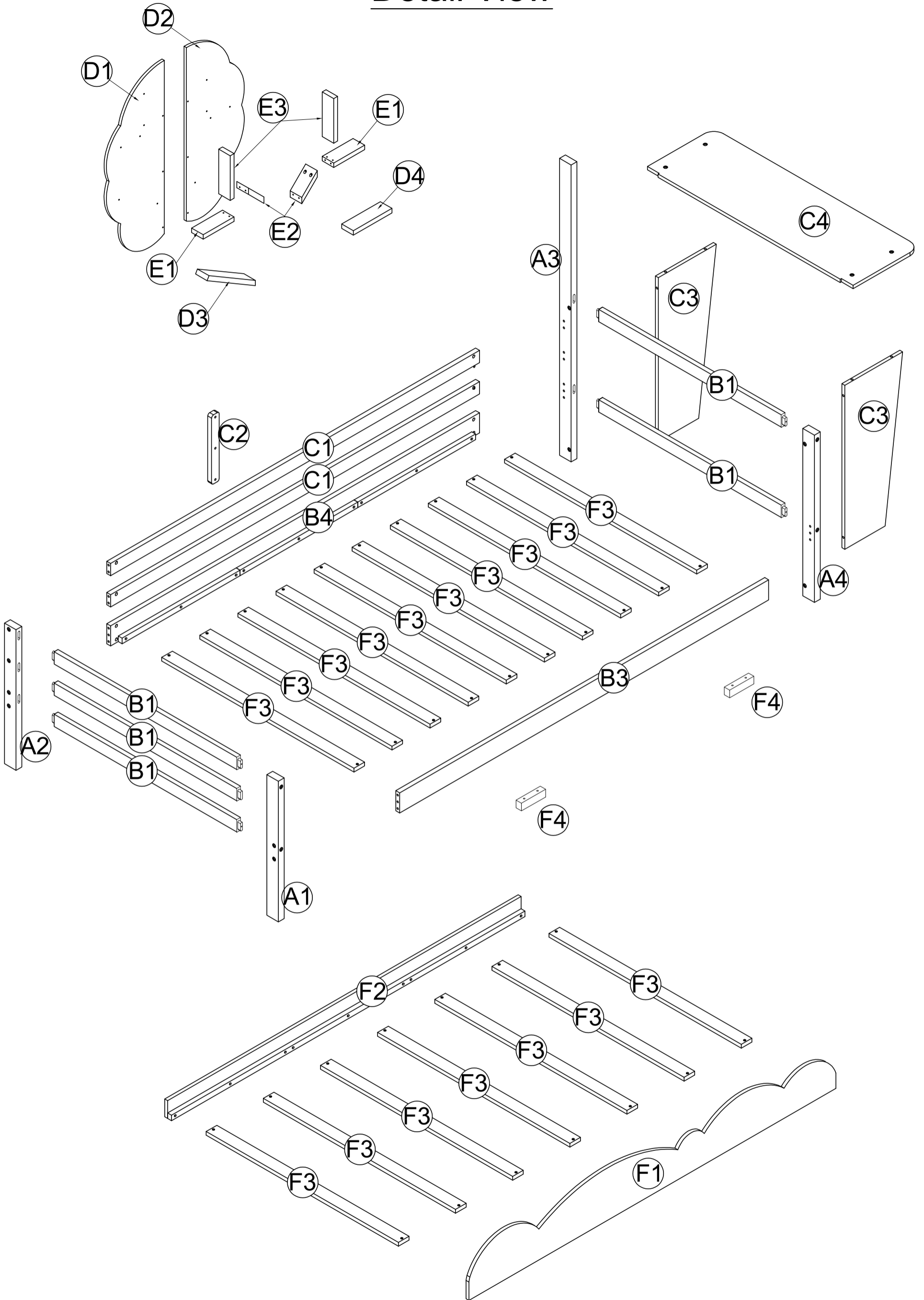
## **SAFETY WARNINGS AND GENERAL NOTES:**

1. Do not use substitute parts. Contact the manufacturer or dealer for replacement parts.
2. Keep these instructions for future reference.
3. We recommend assembling your bed on the shipping carton to protect your floor or carpet.
4. Be certain all staples are out of the box before beginning assembly on the shipping carton.




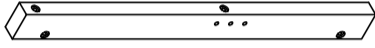
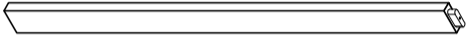



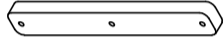


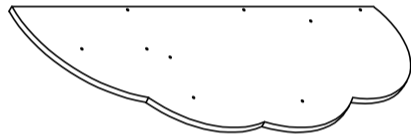

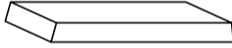
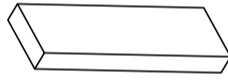
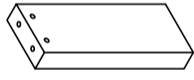

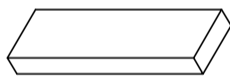


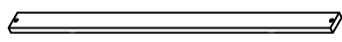
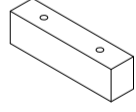
### **5.Replacement Parts:**

Replacement Parts, including additional guardrails, may be obtained from any of our (GIGACLOUD TECHNOLOGY (USA) INC.) dealers

# Detail View

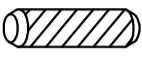
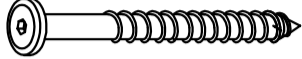








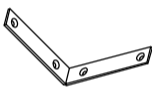



# Part List(WF303127)

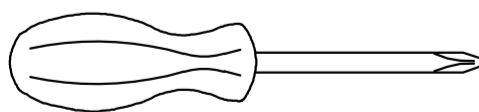
<b>A1</b>  Left front foot - 1pc	<b>A2</b>  Left hind leg - 1pc	<b>A3</b>  Right hind leg - 1pc
<b>A4</b>  Right front foot- 1pc	<b>B1</b>  Bottom Horizontal Bar - 5pcs	<b>B3</b>  Front shoulder bed- 1pc
<b>B4</b>  Back bed shoulder- 1pc	<b>C1</b>  Rear railing - 2pcs	<b>C2</b>  Handrail - 1pc
<b>C3</b>  Table Legs- 2pcs	<b>C4</b>  Table Top- 1pc	<b>D1</b>  Canopy Left Side- 1pc
<b>D2</b>  Right Canopy- 1pc	<b>D3</b>  slanted shelves 1- 1pc	<b>D4</b>  slanted shelves 2 - 1pc
<b>E1</b>  slanted shelves 3 - 2pcs	<b>E2</b>  slanted shelves 4- 2pcs	<b>E3</b>  slanted shelves 5- 2pcs
<b>F1</b>  Drawer Face- 1pc	<b>F2</b>  Shoulder Back Drawer- 1pc	<b>F3</b>  Slat- 17pcs
<b>F4</b>  Drawer Blocker- 2pcs		

# Part List(WF303127)

## Hardware List

1	 Ø10x40mm Wood dowel (8pcs)	2	 Ø6*80mm Hex-Head screw (8pcs)	3	 Ø1/4"*70mm Hex-Head bolt (12pcs)
4	 Ø1/4" Horizontal-Hole bolt (12pcs)	5	 Ø1/4*30mm Hex-Head screw (3pcs)	6	 Ø1/4"*60mm Hex-Head screw (4pcs)
7	 Ø1/4"*40mm Hex-Head bolt (4pcs)	8	 #3*15mm Screw (16pcs)	9	 #4*30mm Screw (68pcs)
10	 Ø55x45x25 Wheel (4pcs)	11	 60x60x25 Low Bass (2pcs)	12	 K4mm Allen key (1pc)

ASSEMBLY TOOLS REQUIRED ( NOT INCLUDED )



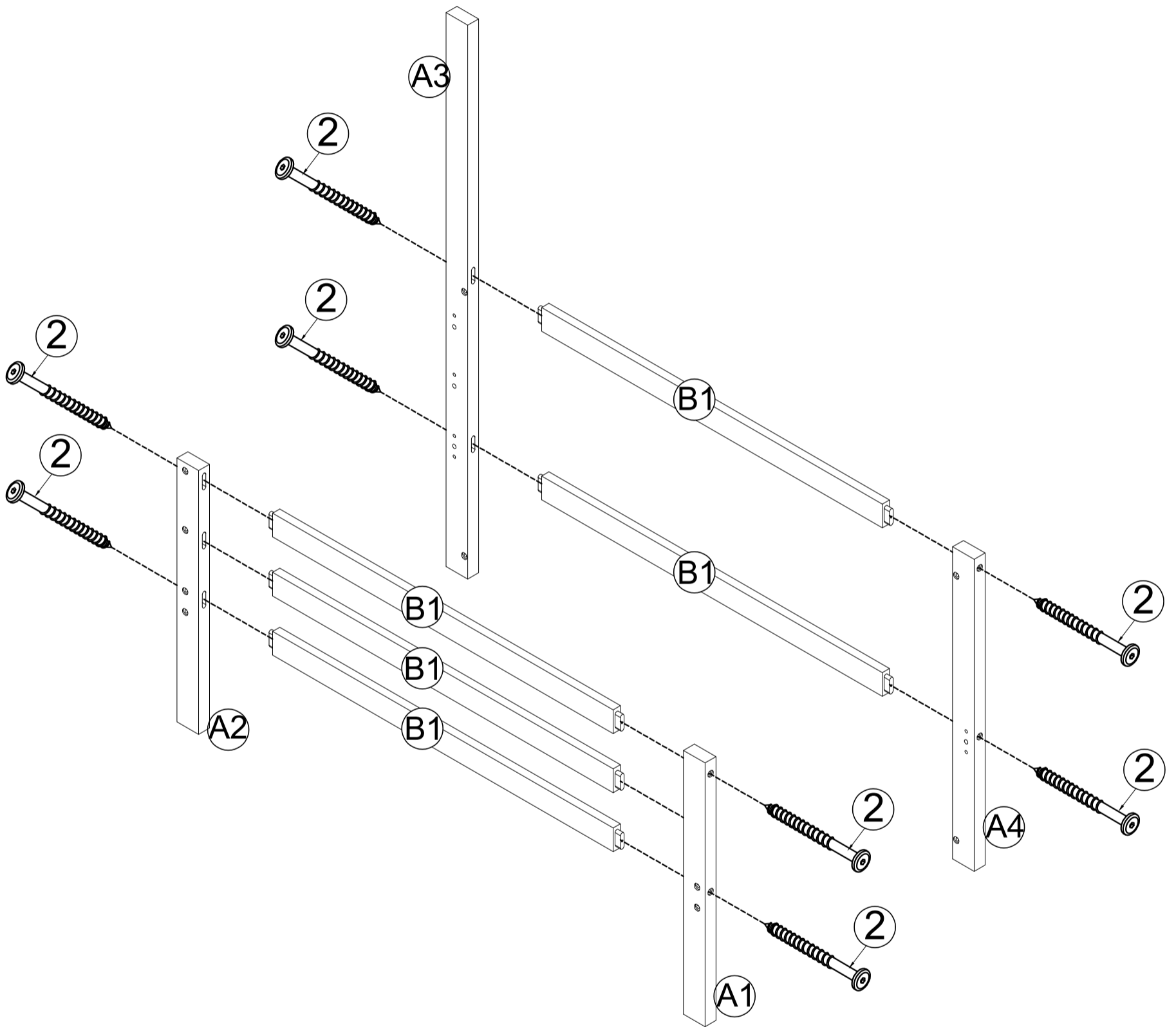
PLEASE BE CAREFUL DO NOT DAMAGE THE HOLE  
POSITION WHEN YOU USE POWER TOOLS !

STEP 1






2

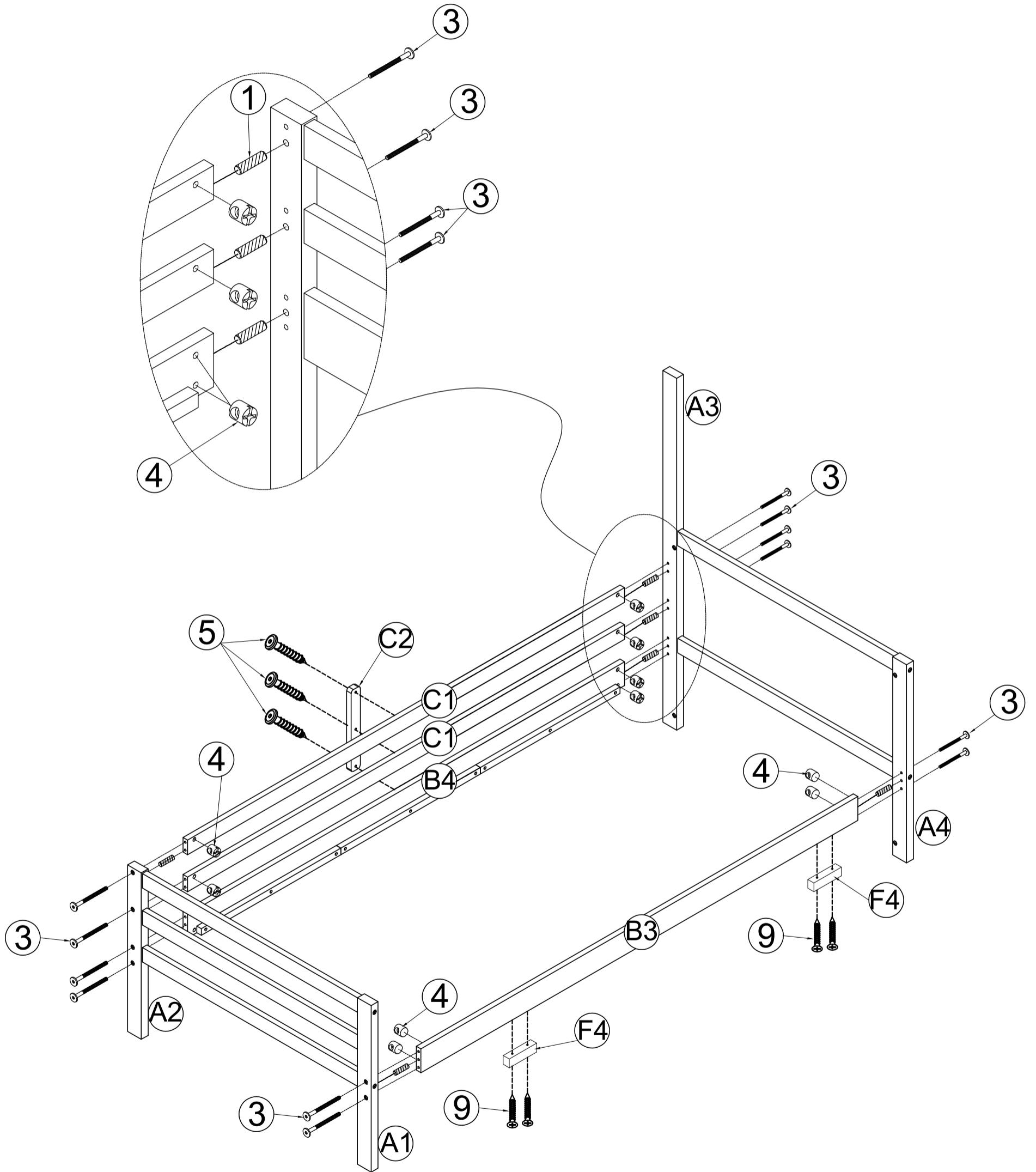


8PCS



STEP 2

9	5	1	3	4
				
4PCS	3PCS	8PCS	12PCS	12PCS



STEP 3

6

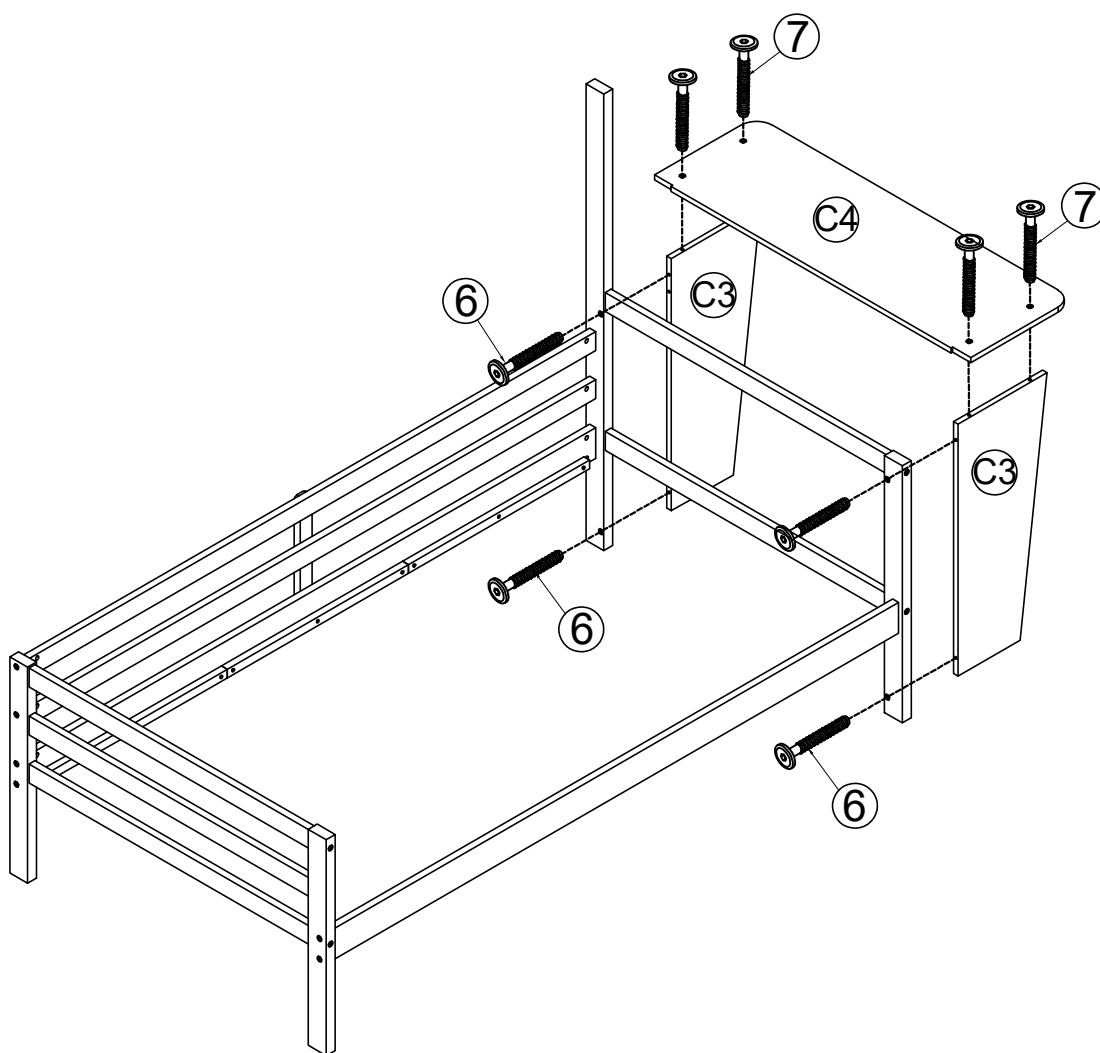


4pcs

7



4pcs

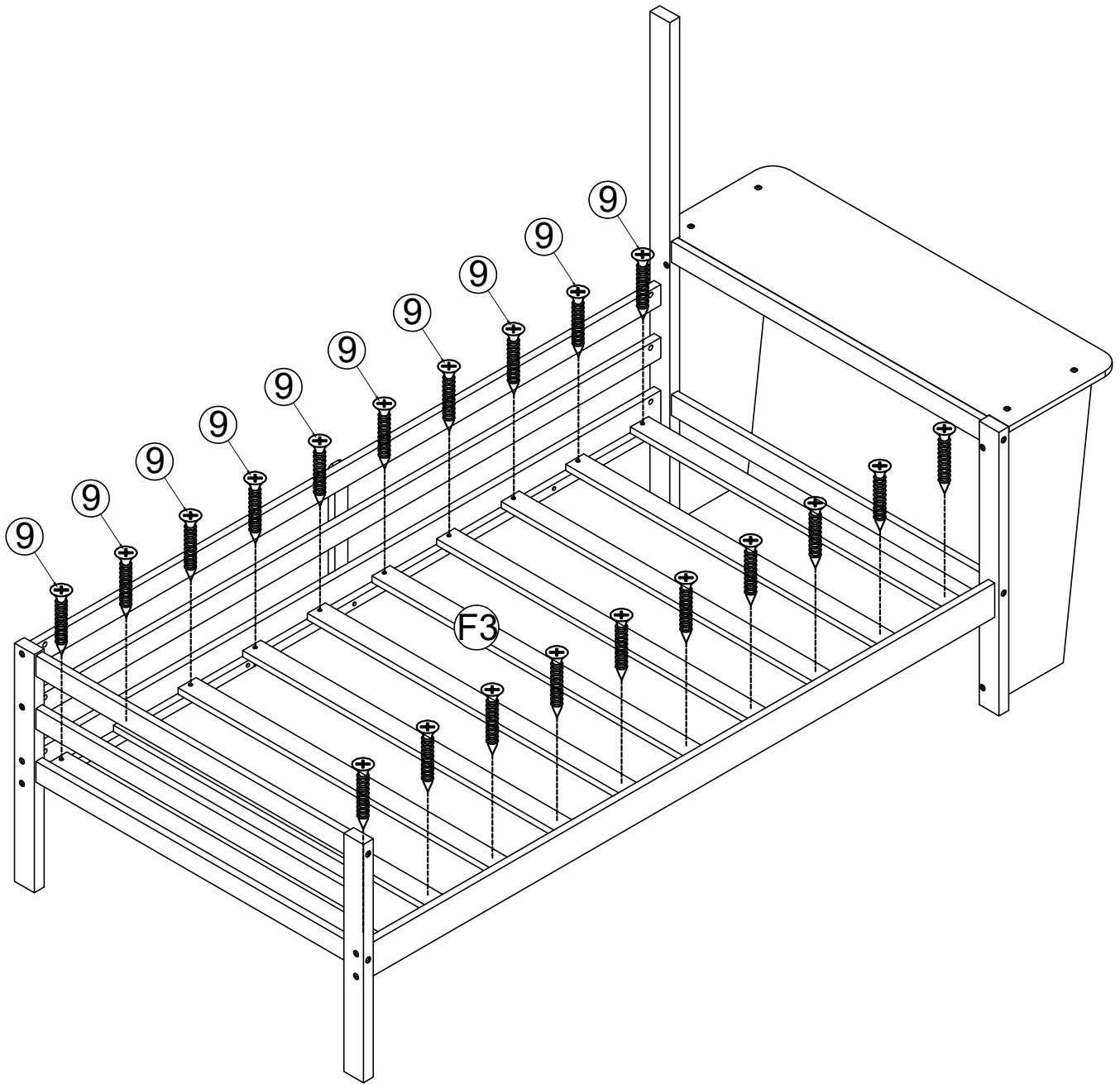


STEP 4

9



20PCS

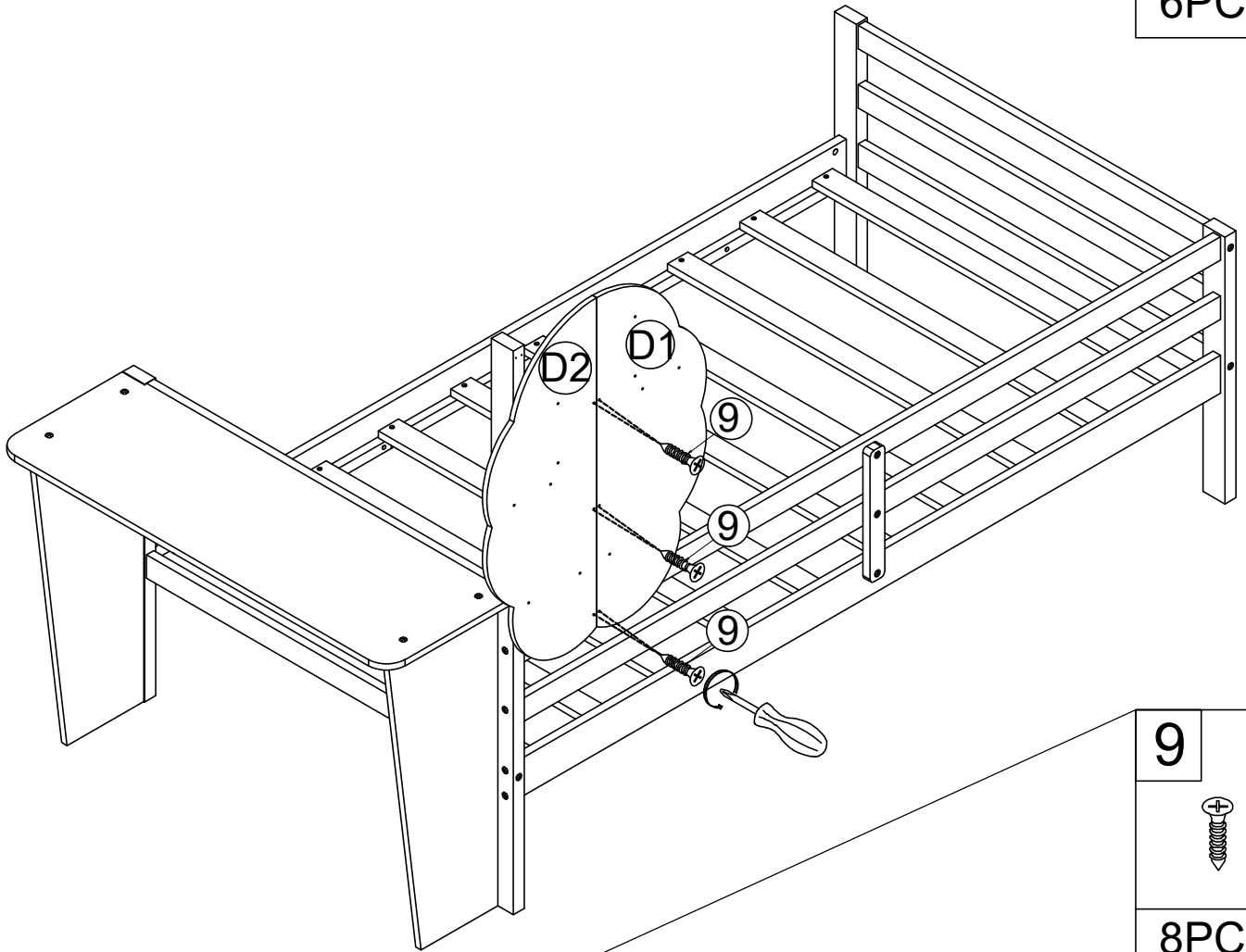


STEP 5

9



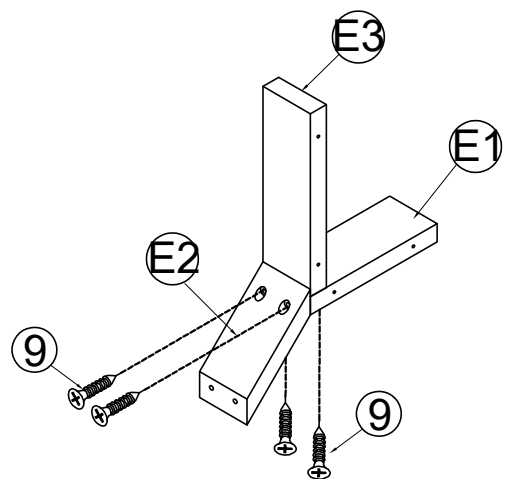
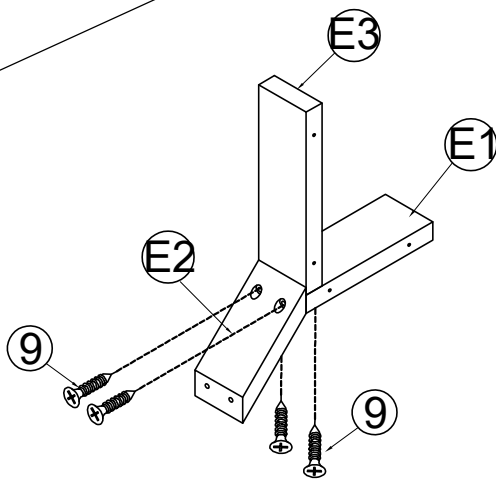
6PCS



9



8PCS

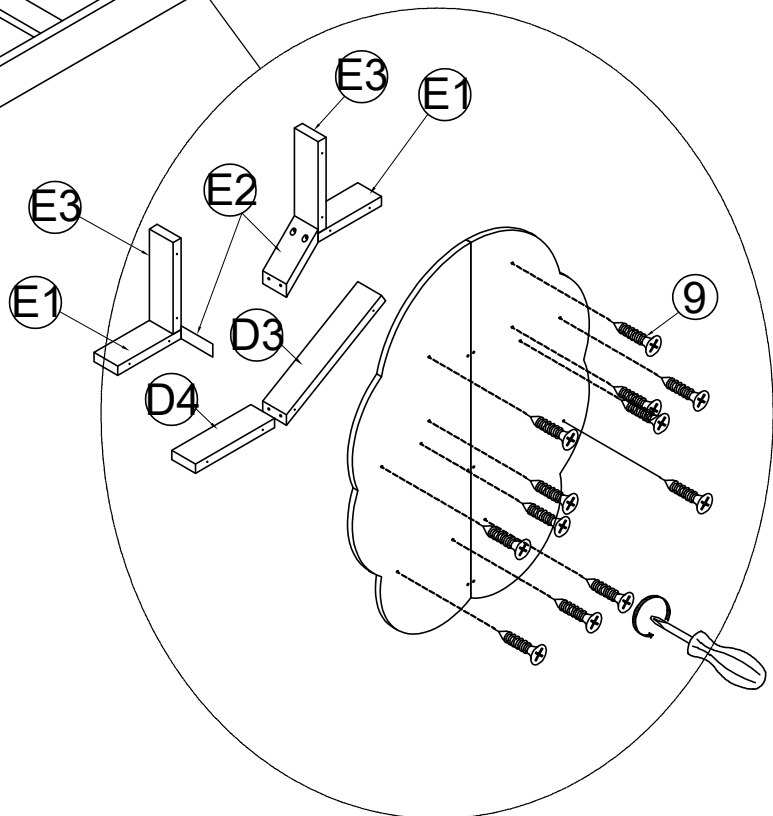
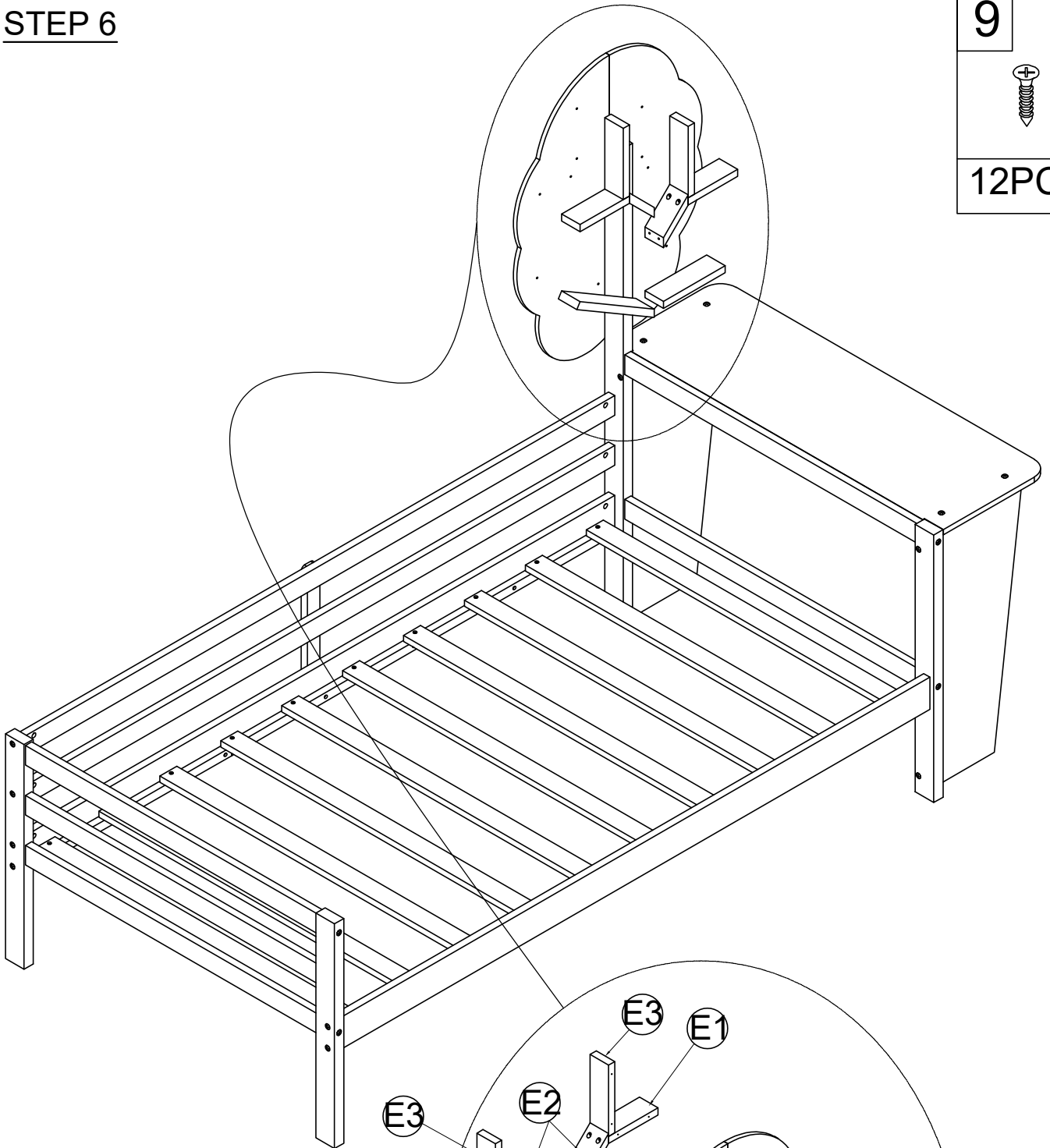


STEP 6

9



12PCS

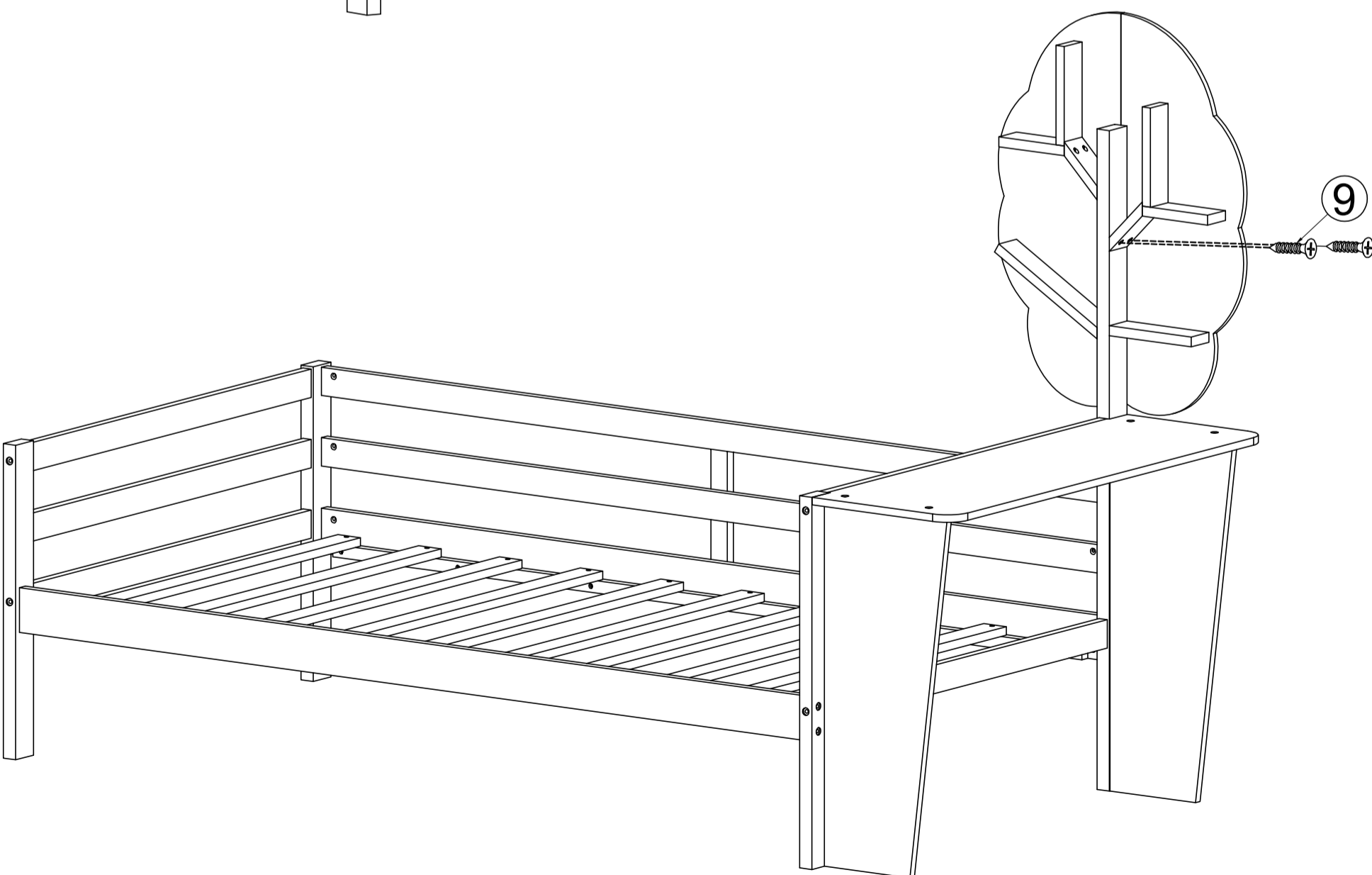
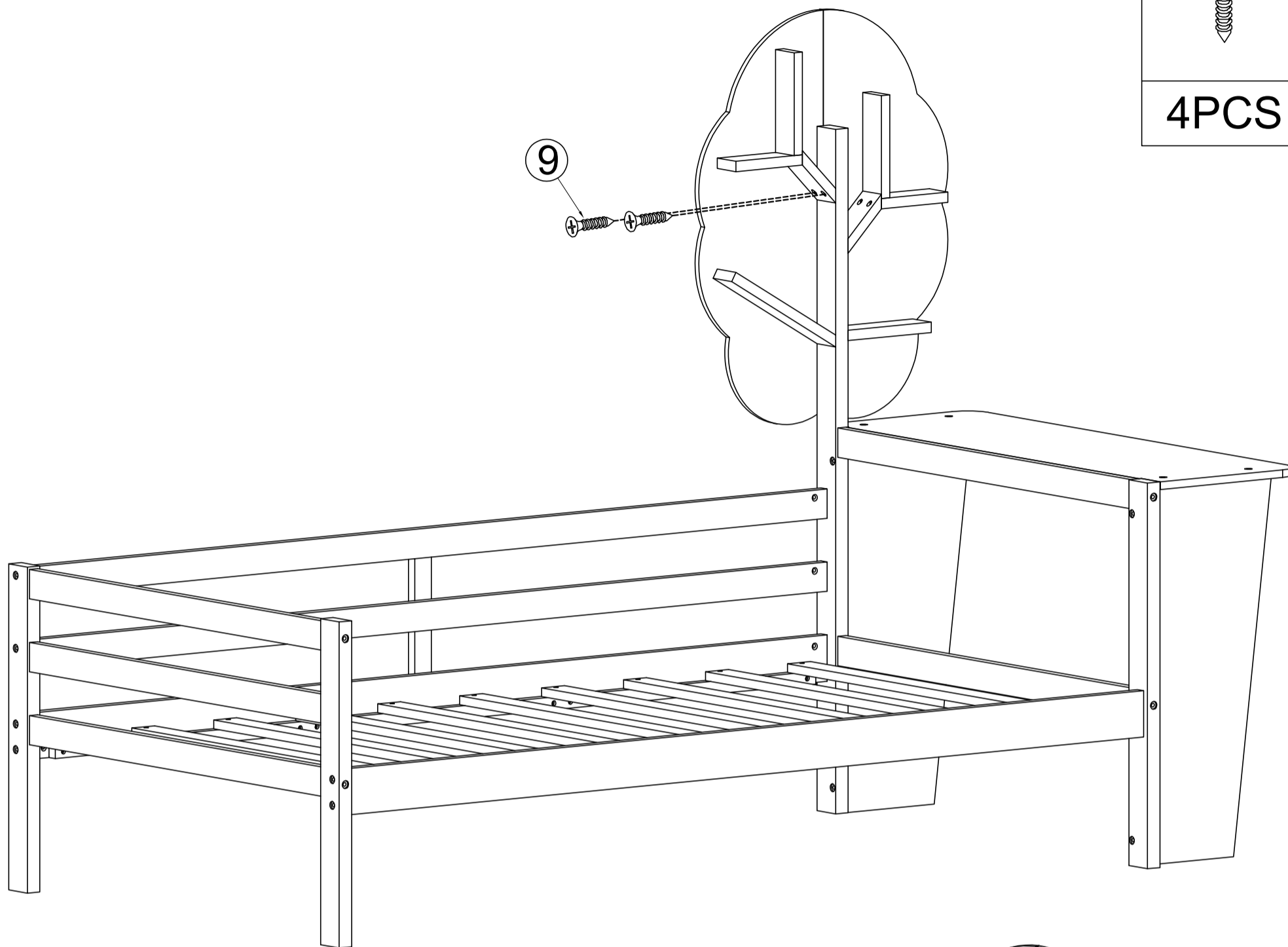


**STEP 7**




**9**

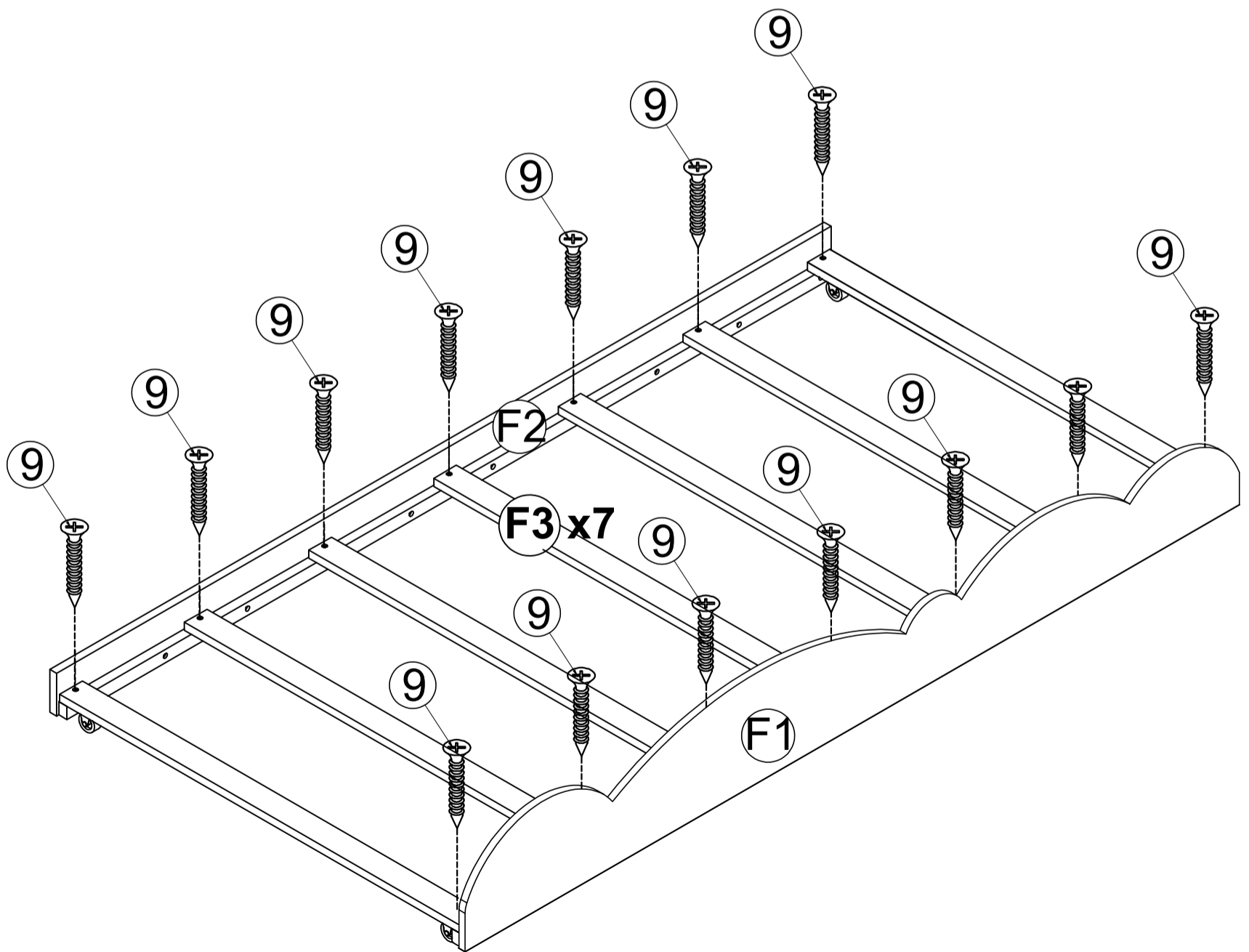
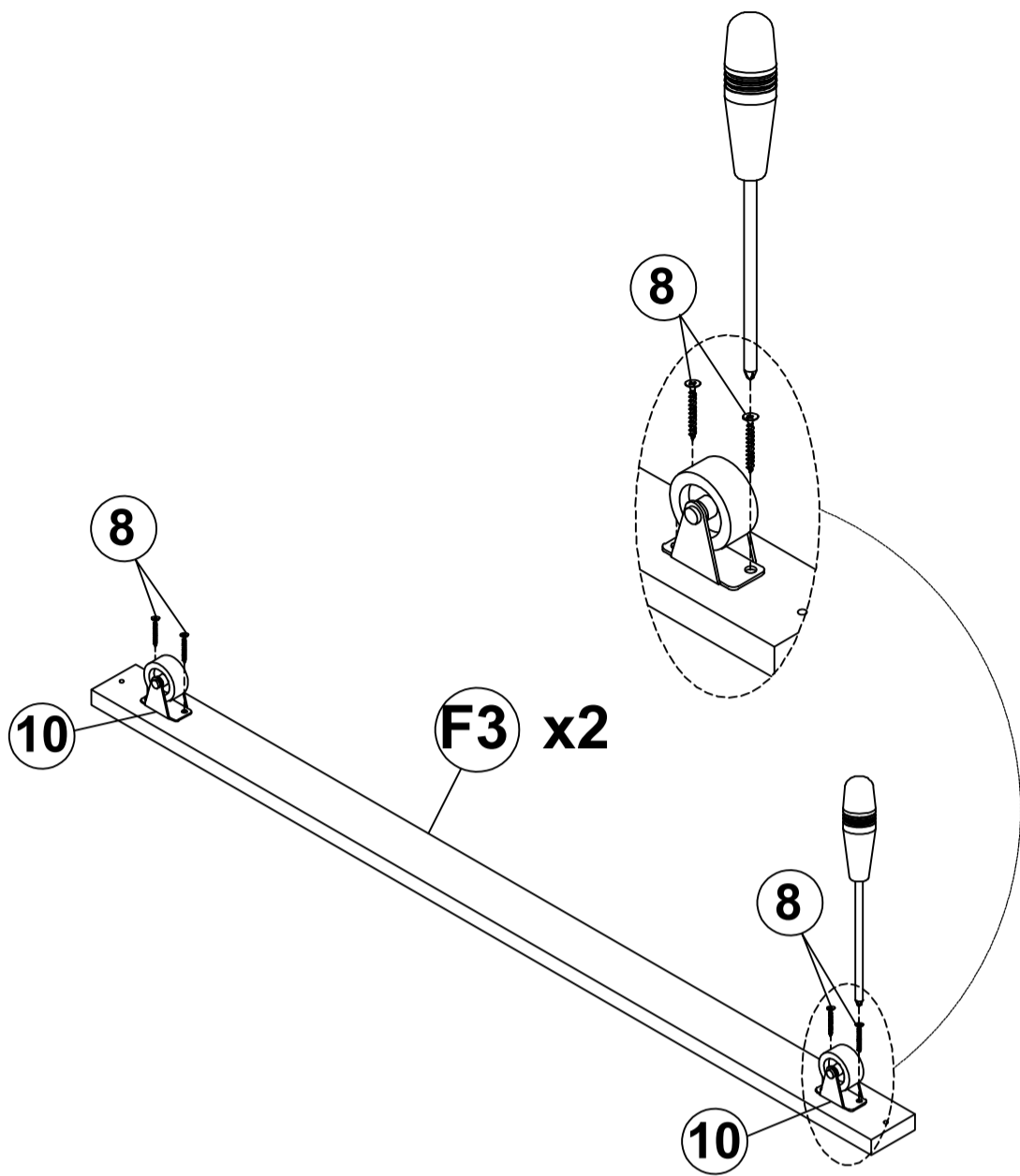


**4PCS**



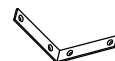
**STEP 8**

<b>10</b>	<b>8</b>	<b>9</b>
		
<b>4PCS</b>	<b>8PCS</b>	<b>14PCS</b>



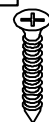
**STEP 9**

**11**

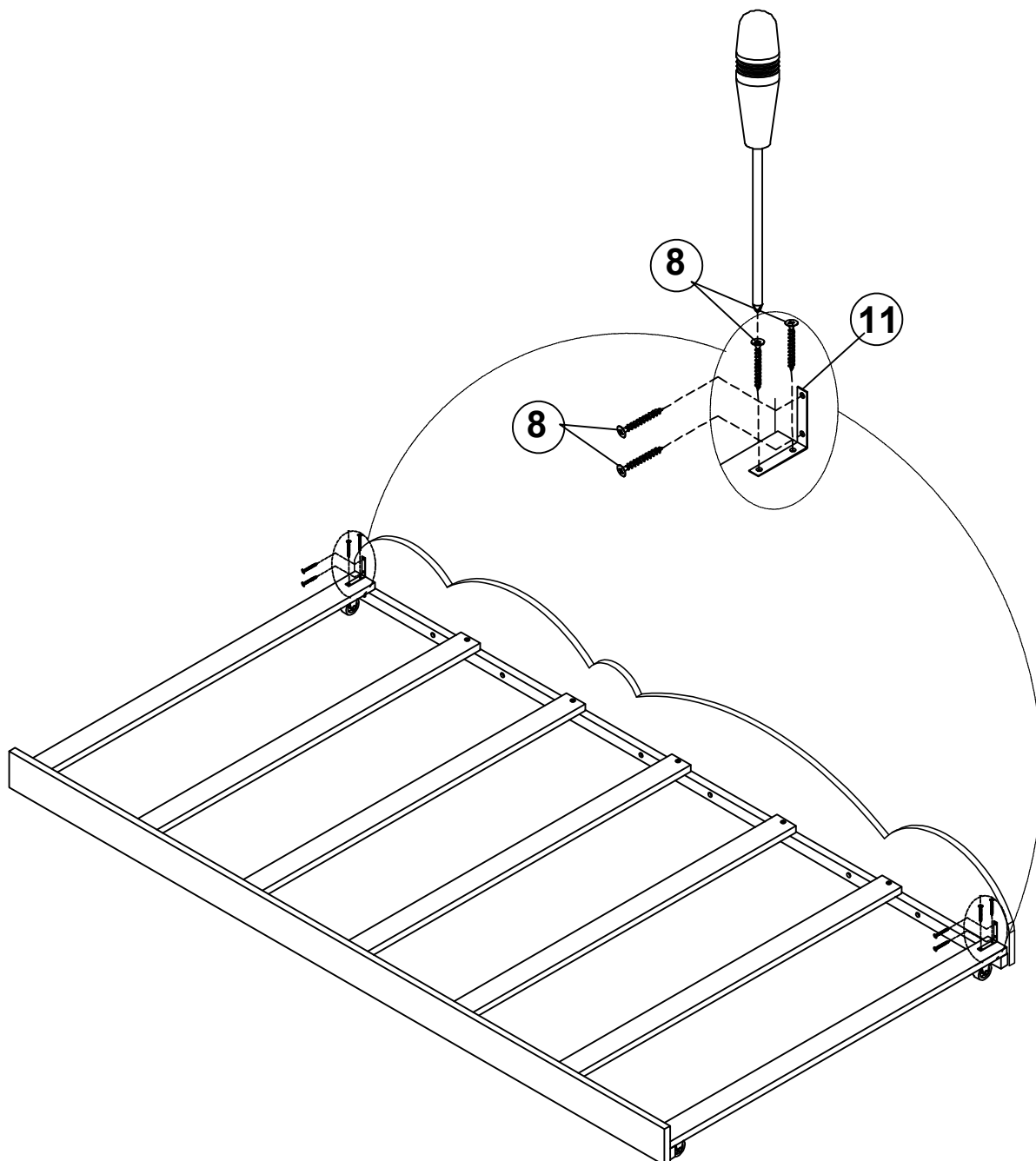


**2PCS**

**8**



**8PCS**



# COMPLETED

