

14

13

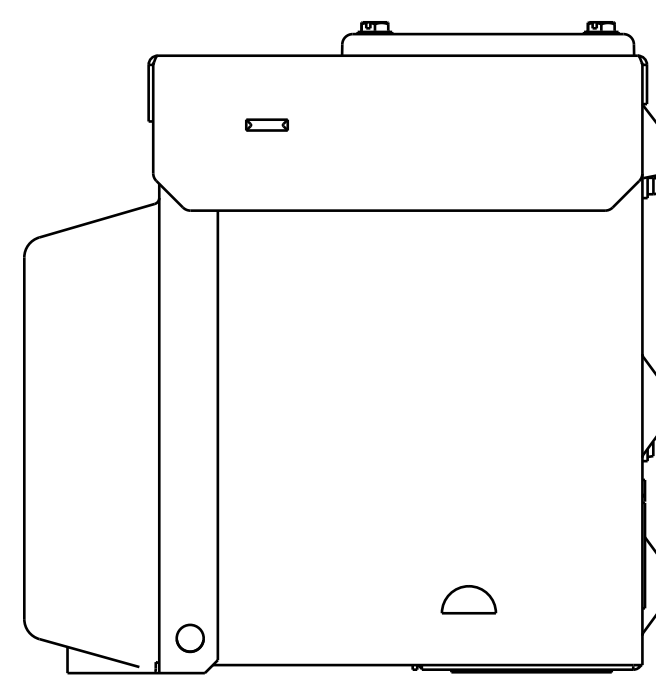
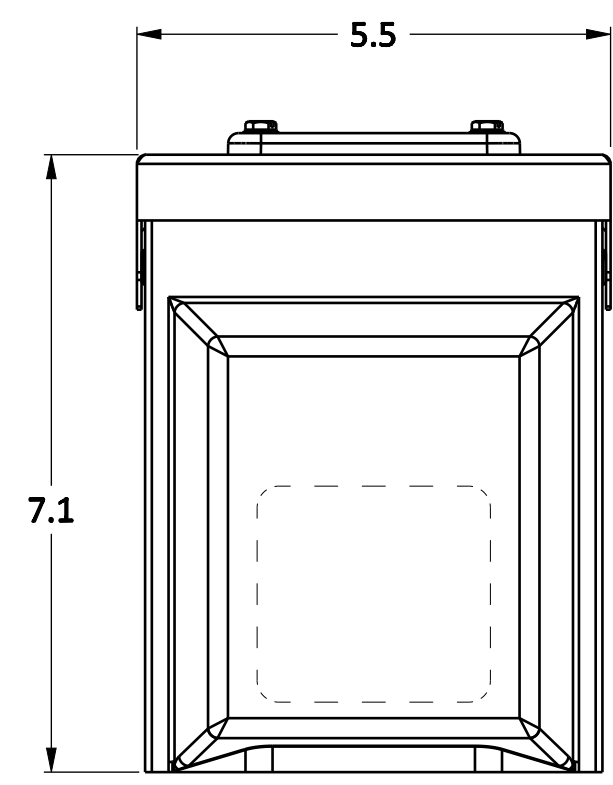
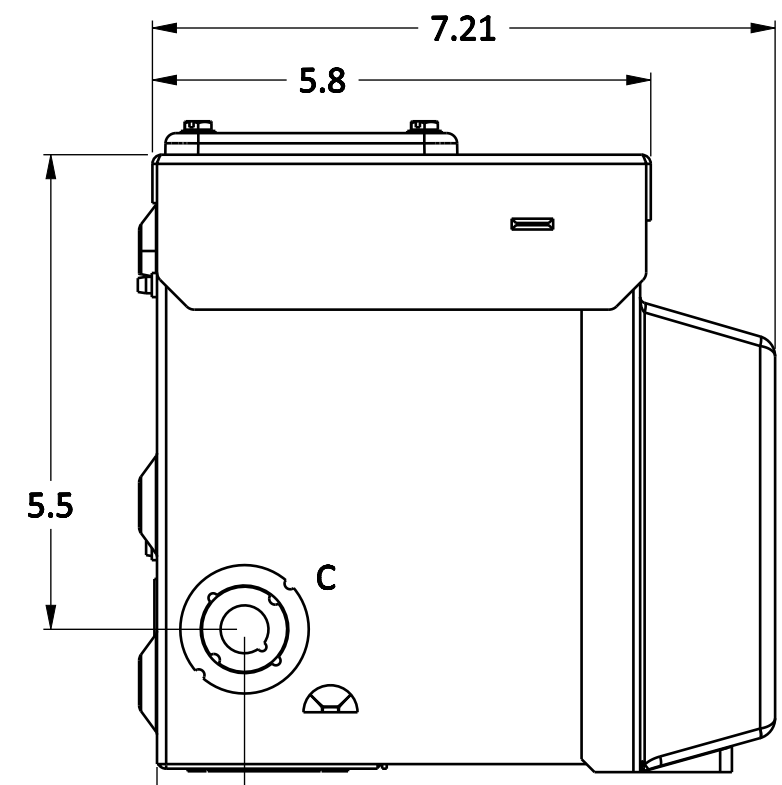
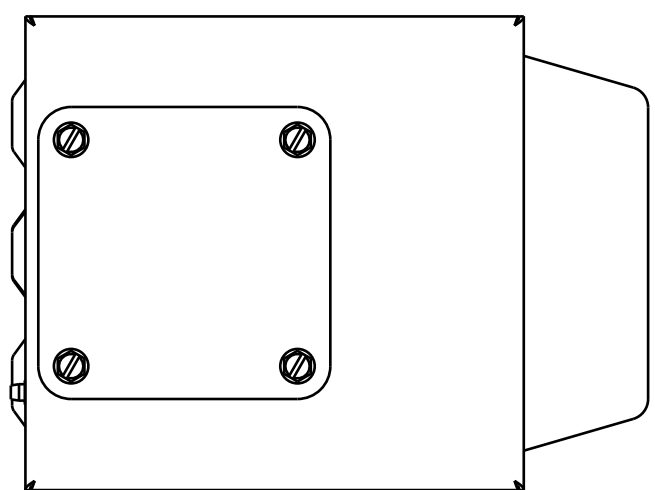
12

SIZE	DRAWING NO.	REV	SHEET
C		A	1

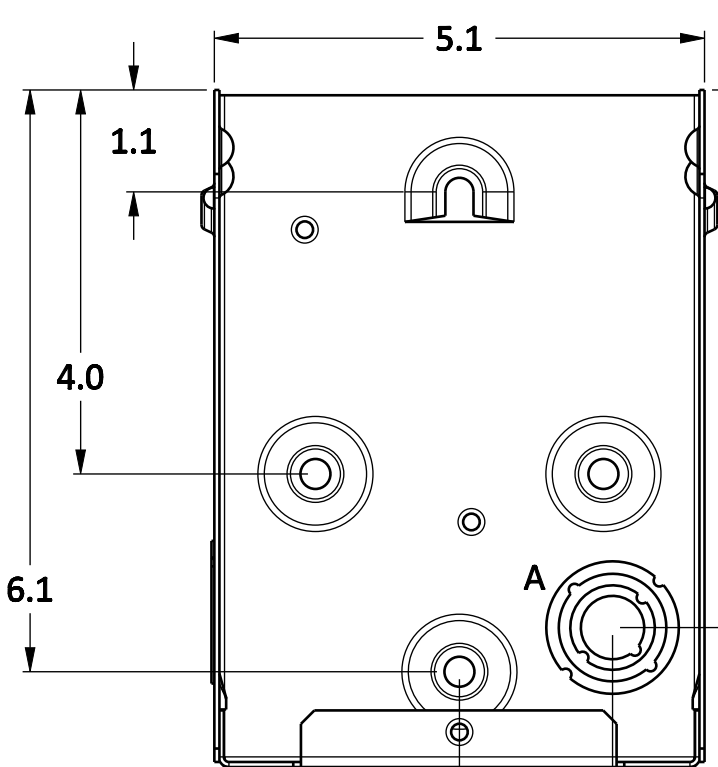
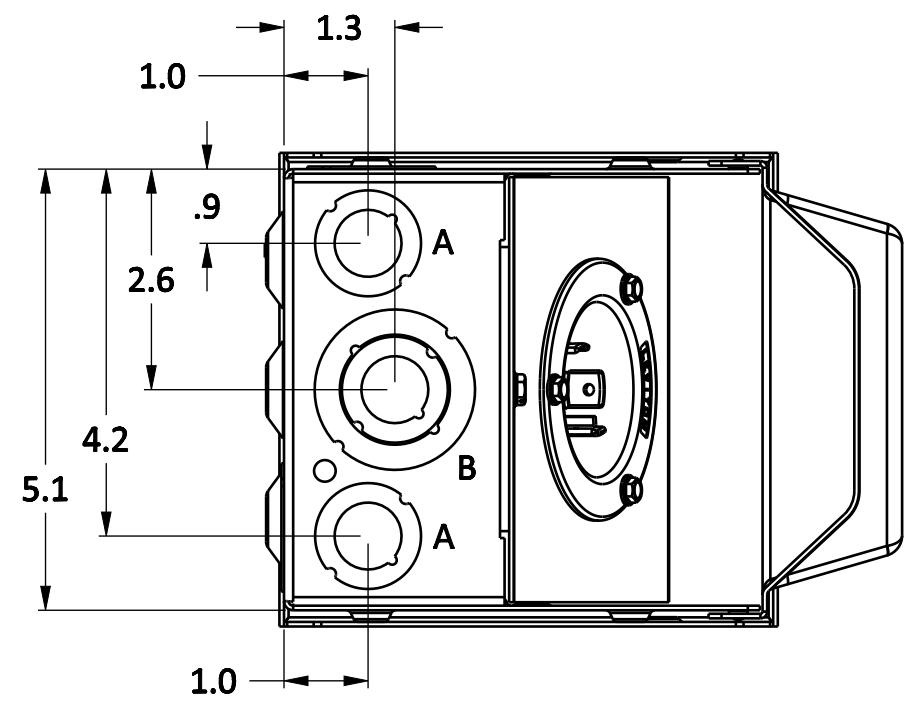
GE PROPRIETARY AND CONFIDENTIAL INFORMATION
 This document is the property of General Electric Company ("GE") and contains proprietary information of GE. This document is loaned on the express condition that neither it nor the information contained therein shall be disclosed to others without the express written consent of GE Energy, and that the information shall be used by the recipient only as approved expressly by GE Energy. This document shall be returned to GE upon its request. This document may be subject to certain restrictions under U.S. export control laws and regulations.

REVISIONS			
REV.	DESCRIPTION	DATE	APPROVED

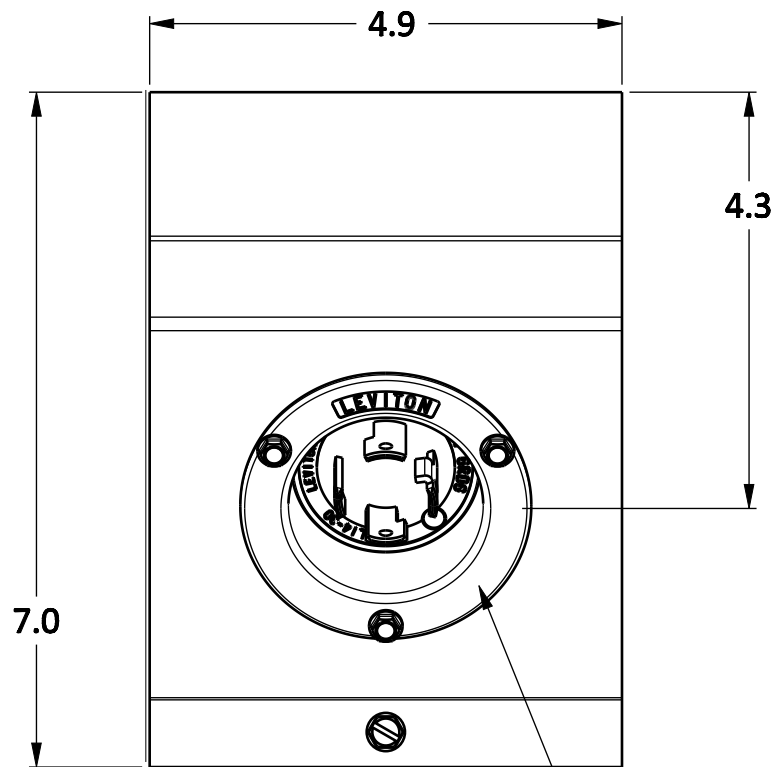
KNOCKOUT TABLE	
A	= 1/2", 3/4"
B	= 1/2", 3/4", 1", 1-1/4"
C	= 1/2", 3/4", 1"



SCALE 0.450



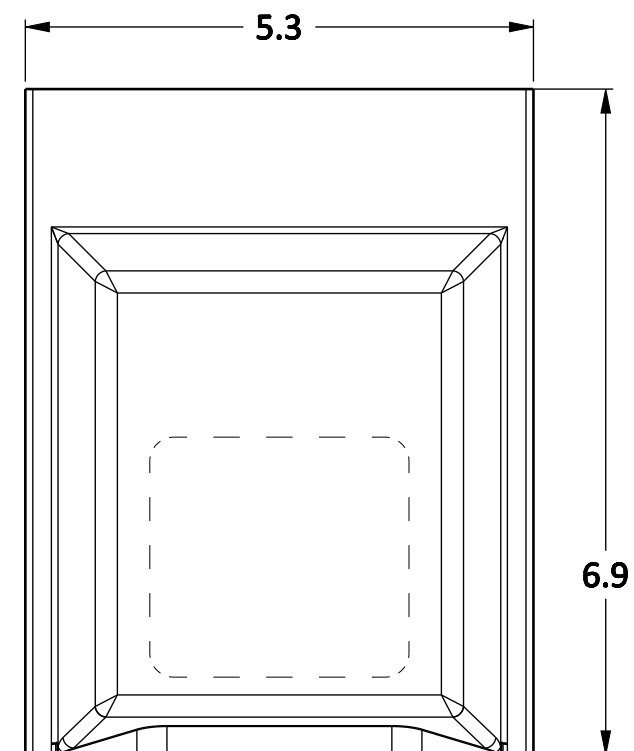
ENCLOSURE



FRONT PANEL

SCALE 0.500

L14-20 FLANGED INLET



FRONT COVER

CONNECTOR	COPPER		ALUMINUM	
	SOLID	STRAND	SOLID	STRAND
LINE	12	12	---	---
LOAD	---	---	---	---
NEUTRAL	12	12	---	---
EQUIP. GRND.	12-8	12-8	---	---

Part must conform to SI 900000 Sect. 4, Toxicity Procedure

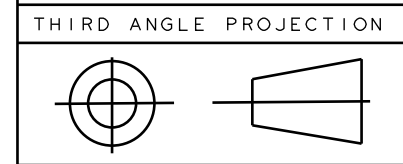
FOR ADDITIONAL INFO REFER TO:	SIGNATURES	DATE
APPLIED PRACTICES	MODEL	
DIMENSIONS ARE IN INCHES	DETAIL	
UNLESS OTHERWISE SPECIFIED IN DRAWING	CHECKED	
	ENGRG	
	MFG	
	QUALITY	
TOLERANCE ON:	ISSUED	
1 PL DECIMALS ± 0.1		
2 PL DECIMALS ± 0.02		
3 PL DECIMALS ± 0.005		
ANGLES ± 1.0		
FRACTIONS ±		
FINISH		
CRITICAL TO QUALITY CHARACTERISTIC	DRAWING FILE: 265A6204PV38	
	SOLID MODEL: 2265A6204PV37	

Midwest Electric Products

TITLE: **OUTLINE DRAWING FOR U020NN & U020NPP**

SIZE: C DRAWING: **265A6204PV38** REV: A

SCALE: 0.300 SHEET 1 OF 1



14

13

12

11