



**ASSEMBLY GUIDE  
GUIDE DE MONTAGE  
GUÍA DE MONTAJE**

**URBANA**

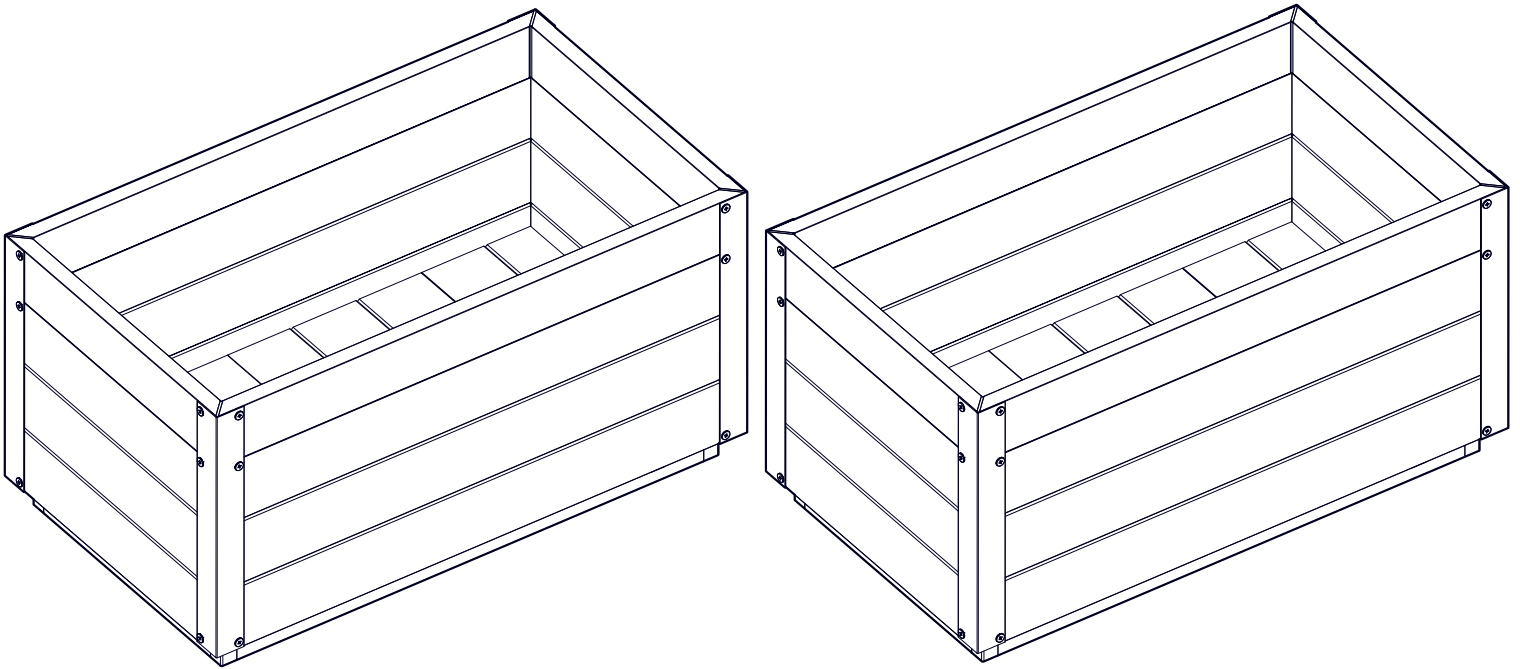
**SMALL DELTA PLANTER TWO PACK  
PETITE JARDINIÈRE DELTA PAQUET DE DEUX  
JARDINERA DELTA PEQUEÑA PAQUETE DE DOS**

**VT17642**

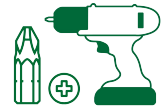
SLATE

PIZARRA

ARDOISE



REQUIRED TOOLS AND MATERIALS (NOT INCLUDED)  
OUTILS ET MATÉRIAUX REQUIS (NON INCLUS)  
HERRAMIENTAS Y MATERIALES REQUERIDOS (NO INCLUIDOS)



[WEAREVITA.COM](https://www.wearevita.com)  
Click - Cliquer - Hacer Clic  
"Chat"



[WEAREVITA.COM/SUPPORT](https://www.wearevita.com/support)



[HELLO@WEAREVITA.COM](mailto:HELLO@WEAREVITA.COM)



1-800-282-9346

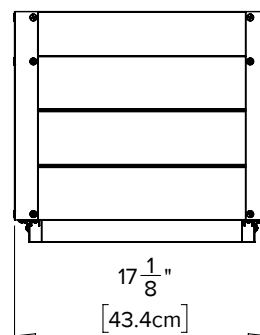
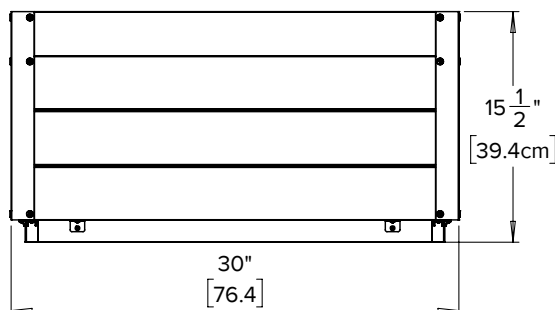
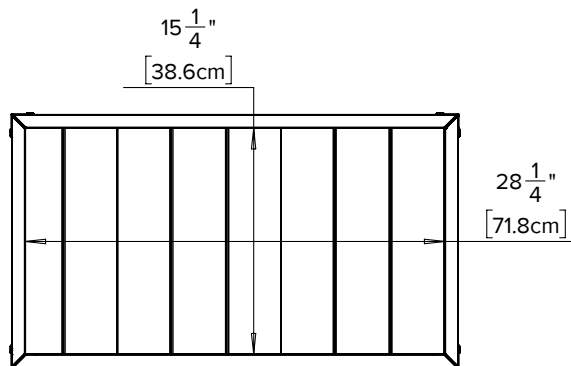


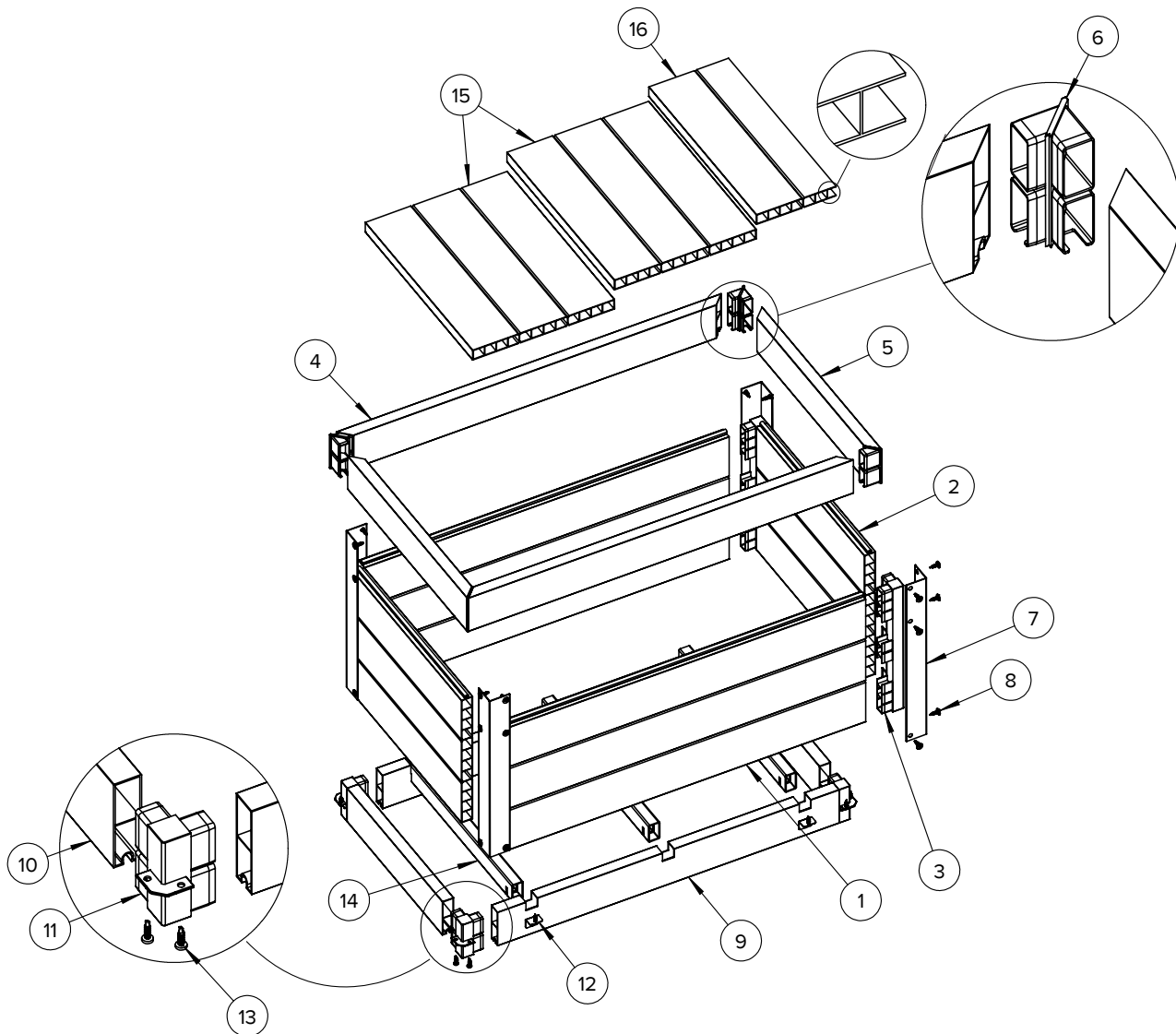
@VITAHOMEANDGARDEN

**PRODUCT DIMENSIONS**

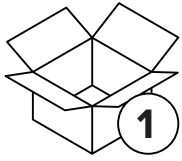
**DIMENSIONS DU PRODUIT**

**DIMENSIONES DEL PRODUCTO**

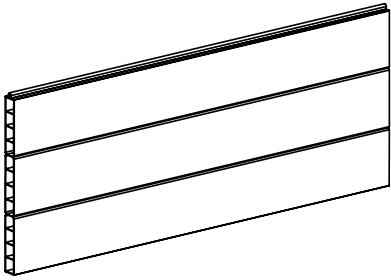
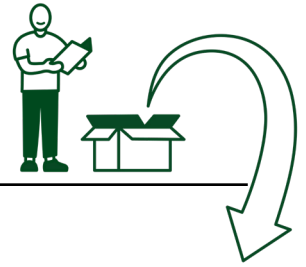




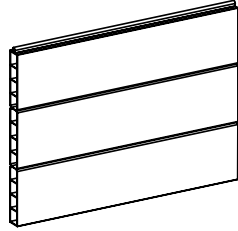
Item No.	Part Number (Slate)	Part Number (Light Brown)	Description	Dimension	Qty.
1	16345	15345	Lower Wall Board- Long	28 1/4" (71.8cm)	4
2	16341	15341	Lower Wall Board- Short	15 1/4" x 11" (38.7cm x 27.9cm)	4
3	19000	19000	Corner Wallboard Connector	11" (27.9cm)	8
4	19010	19010	Upper Trim Board- Long	29 7/8" (75.6cm)	4
5	19004	19004	Upper Trim Board- Short	16 7/8" (42.7cm)	4
6	19001	19001	Corner Trim Connector	3" (7.6cm)	8
7	19003	19003	Outer Corner Trim	14" (35.5 cm)	8
8	20072	20072	Flat Head Screw- Black	#8 x 5/8" (1.6cm)	48
9	19011	19011	Long Pedestal Board	26 1/2" (67.2cm)	4
10	19006	19006	Short Pedestal Board	13 1/2" (34.2cm)	4
11	19002	19002	Corner Pedestal Connector	3" (7.6cm)	8
12	19009	19009	Metal Shoulder Support	1" (2.5cm)	8
13	20066	20066	Round Head Screw	#8 x 5/8" (1.6cm)	32
14	19008	19008	Pedestal Cross Brace	15" (38.1cm)	6
15	16343	15343	Floorboard	15 1/4" x 11" (38.5cm x 27.9cm)	4
16	16346	15346	Notched Floorboard	15 1/4" X 6 1/8" (38.5cm X 15.7cm)	2



**PARTS LIST**  
**LISTE DES PIÈCES**  
**LISTADO DE PIEZAS**



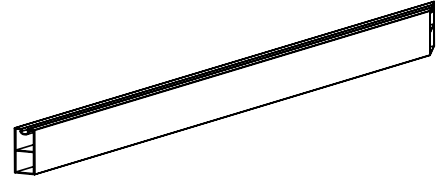
1 x4



2 x4



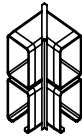
3 x8



4 x4



5 x4



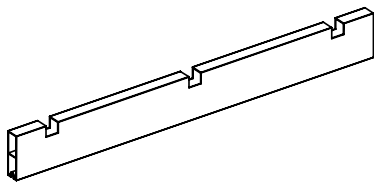
6 x8



7 x8



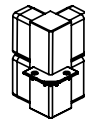
8 x48



9 x4



10 x4



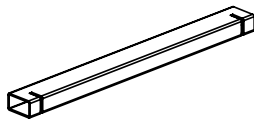
11 x8



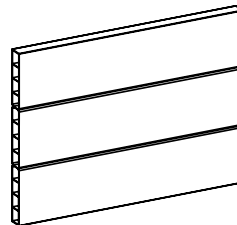
12 x8



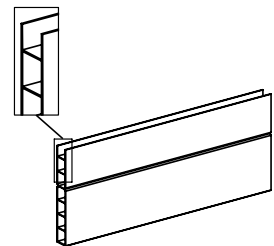
13 x32



14 x6

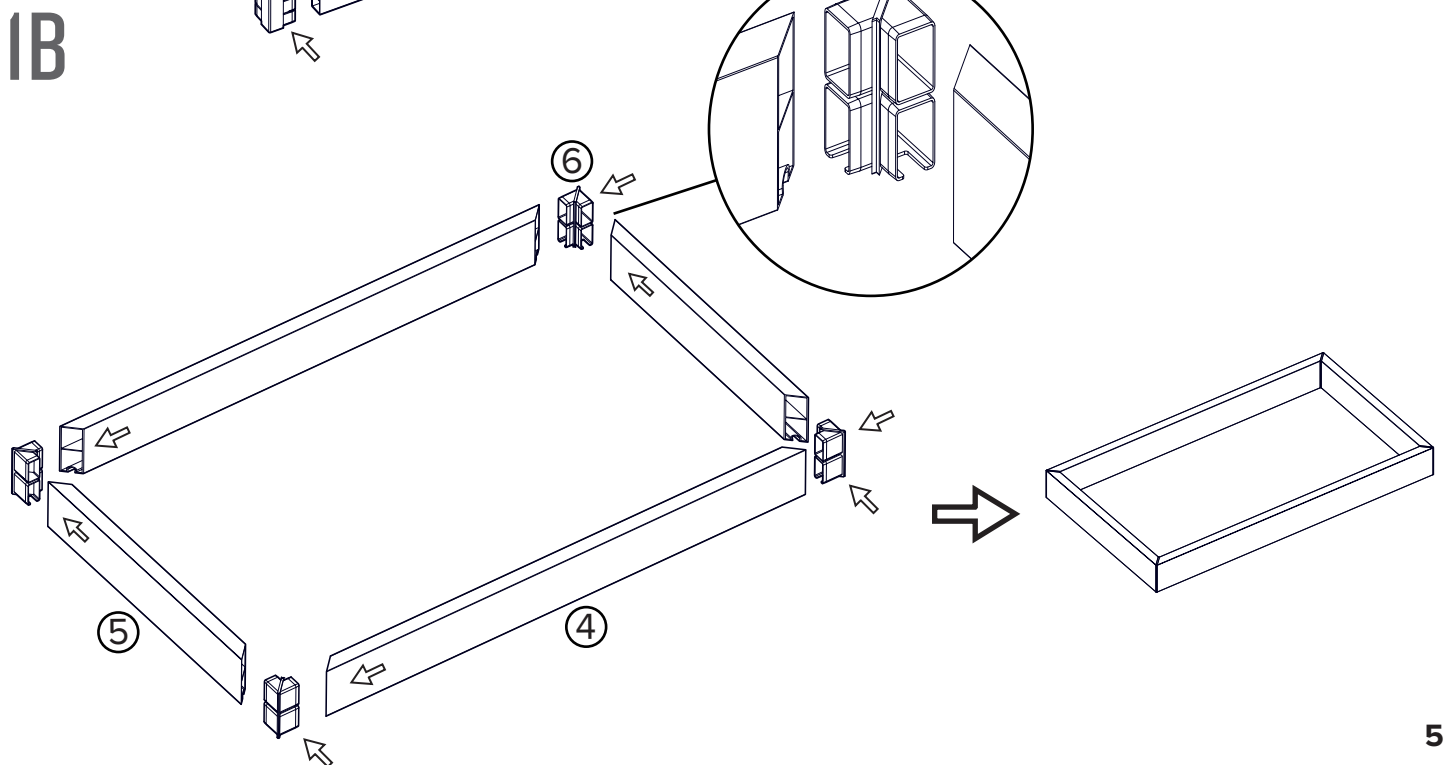
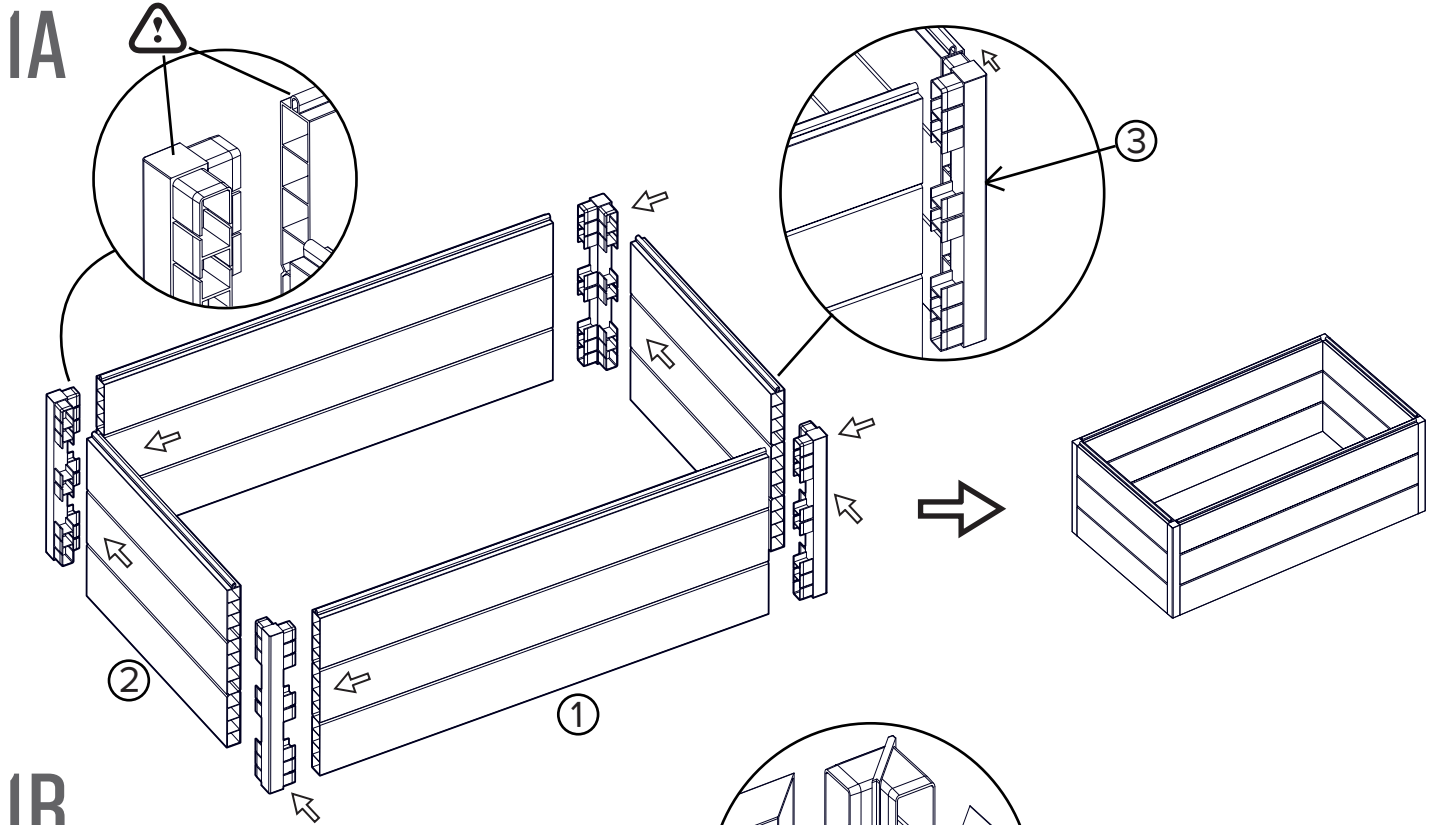
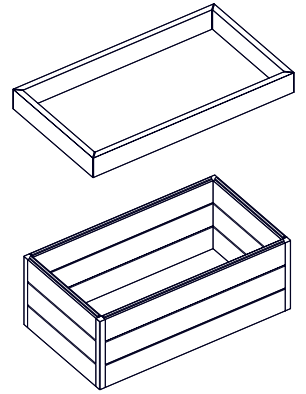
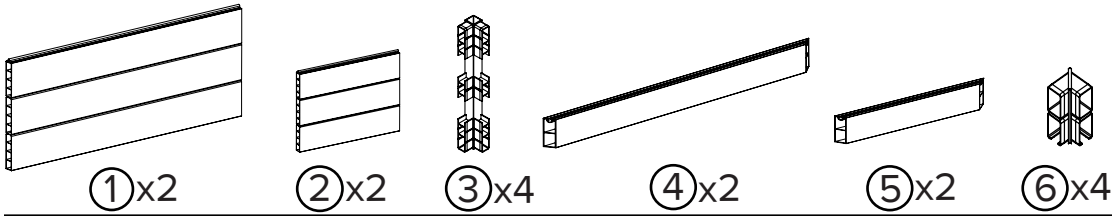


15 x4

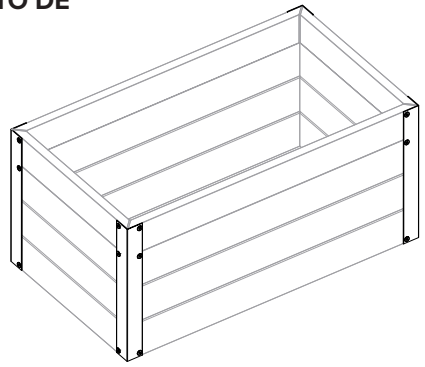
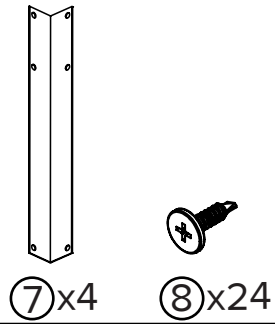


16 x2

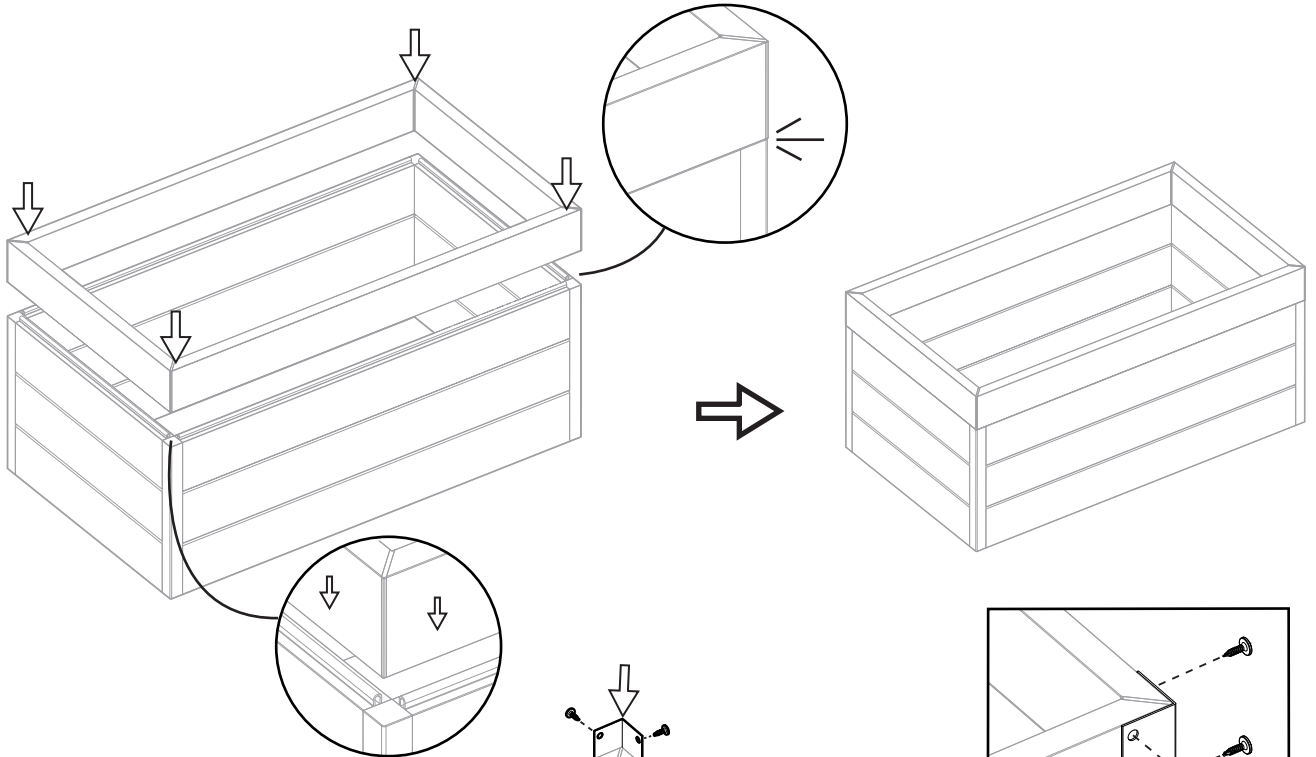
**PREPARE TRIM AND LOWER WALL BOARD ASSEMBLY**  
**PRÉPAREZ LE MONTAGE DE LA GARNITURE ET DES PAROIS INFÉRIURES**  
**PREPARE EL CONJUNTO DE MOLDURAS Y PLACA DE PARED INFERIOR**



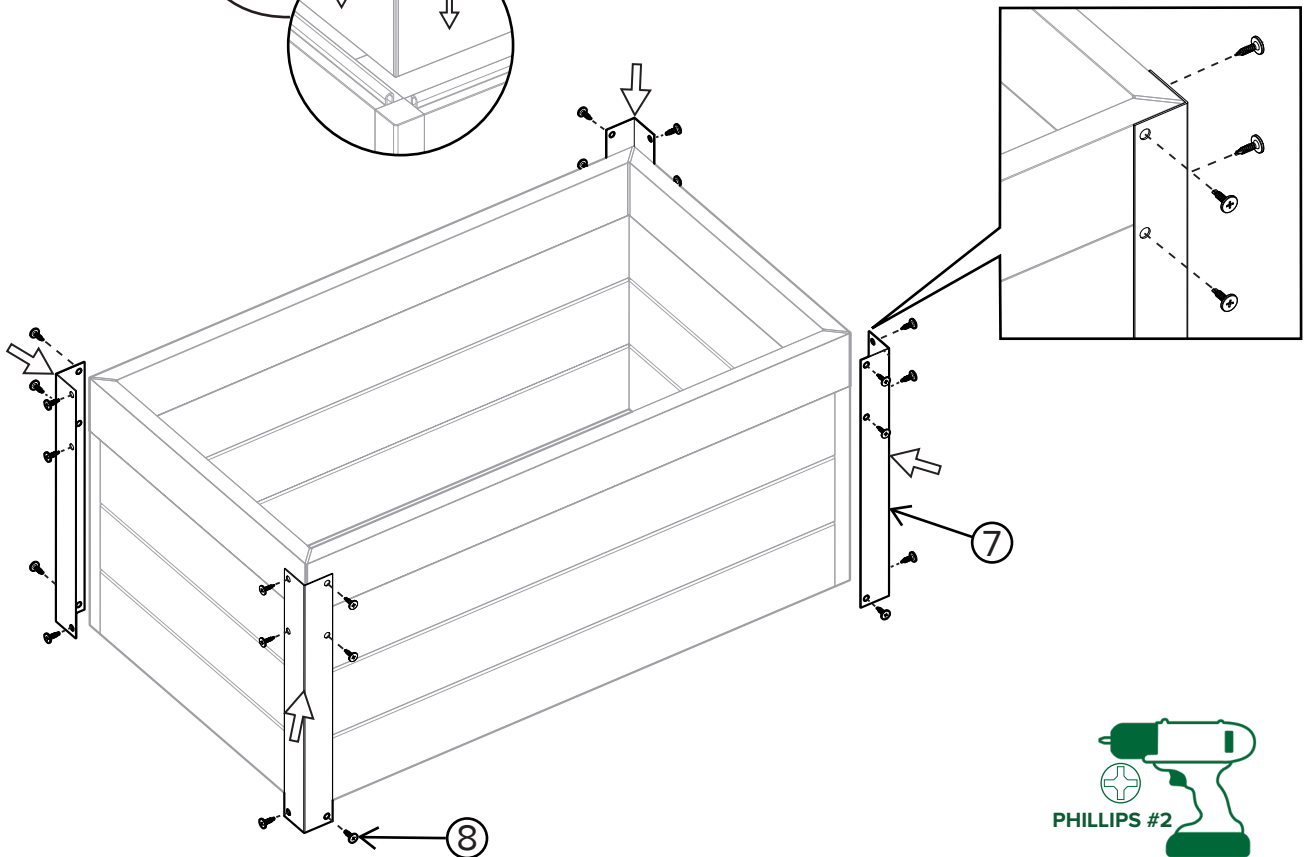
# 2 SECURE PREPARED WALL BOARD ASSEMBLY TO TRIM ASSEMBLY FIXEZ LES PAROIS PRÉPARÉES À LA GARNITURE FIJE EL CONJUNTO DE LA PLACA DE PARED PREPARADO AL CONJUNTO DE



## 2A

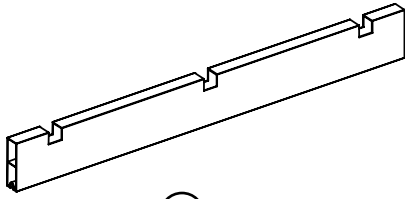


## 2B



# 3

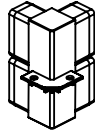
ASSEMBLE PEDESTAL  
ASSEMBLEZ LE SOCLE  
MONTE EL PEDESTAL



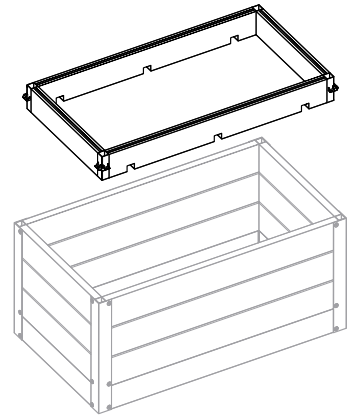
⑨x2



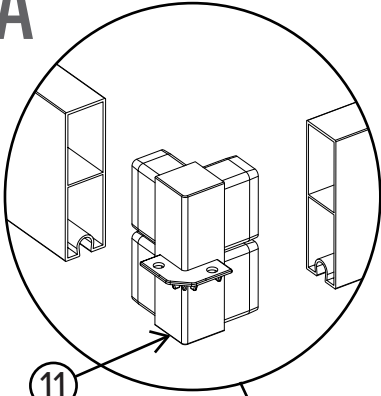
⑩x2



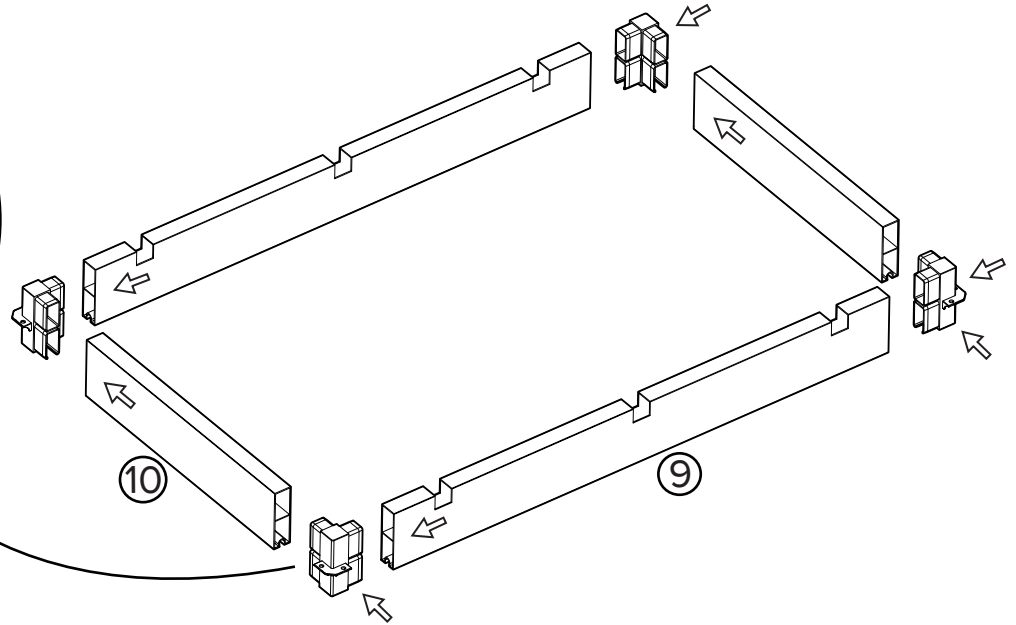
⑪x4



## 3A

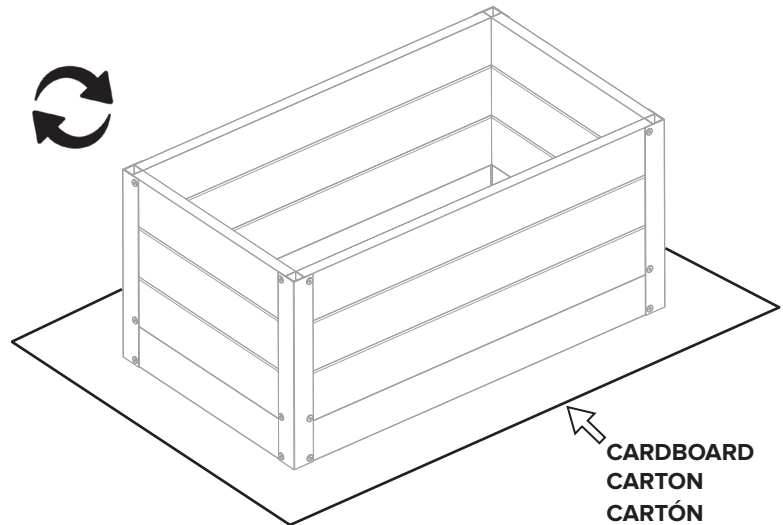
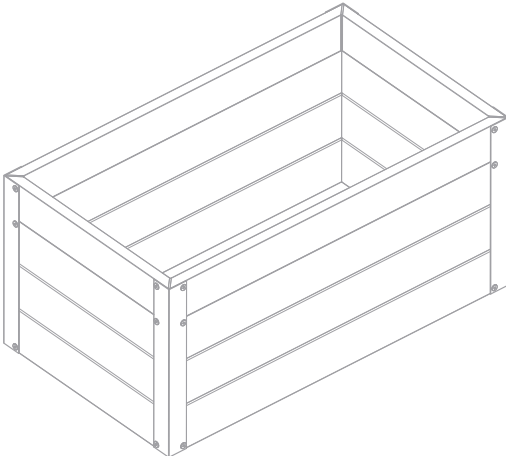


⑪

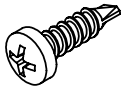


## 3B

FLIP ASSEMBLED PLANTER OVER ONTO CARDBOARD OR CLOTH TO AVOID SCRATCHING  
RETOURNEZ LA JARDINIÈRE ASSEMBLÉE SUR UN CARTON OU UN TISSU POUR ÉVITER LES RAYURES  
VOLTEE LA JARDINERA YA MONTADA SOBRE UN CARTÓN O PAÑO PARA QUE NO SE RAYE

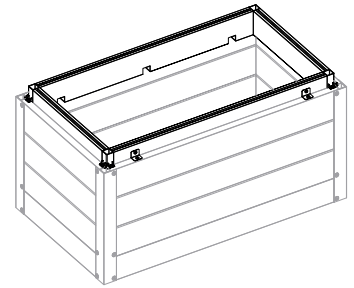


# 4 SECURE PEDESTAL ASSEMBLY TO PLANTER FIXEZ LE SOCLE À LA JARDINIÈRE FIJE EL CONJUNTO DEL PEDESTAL A LA JARDINERA

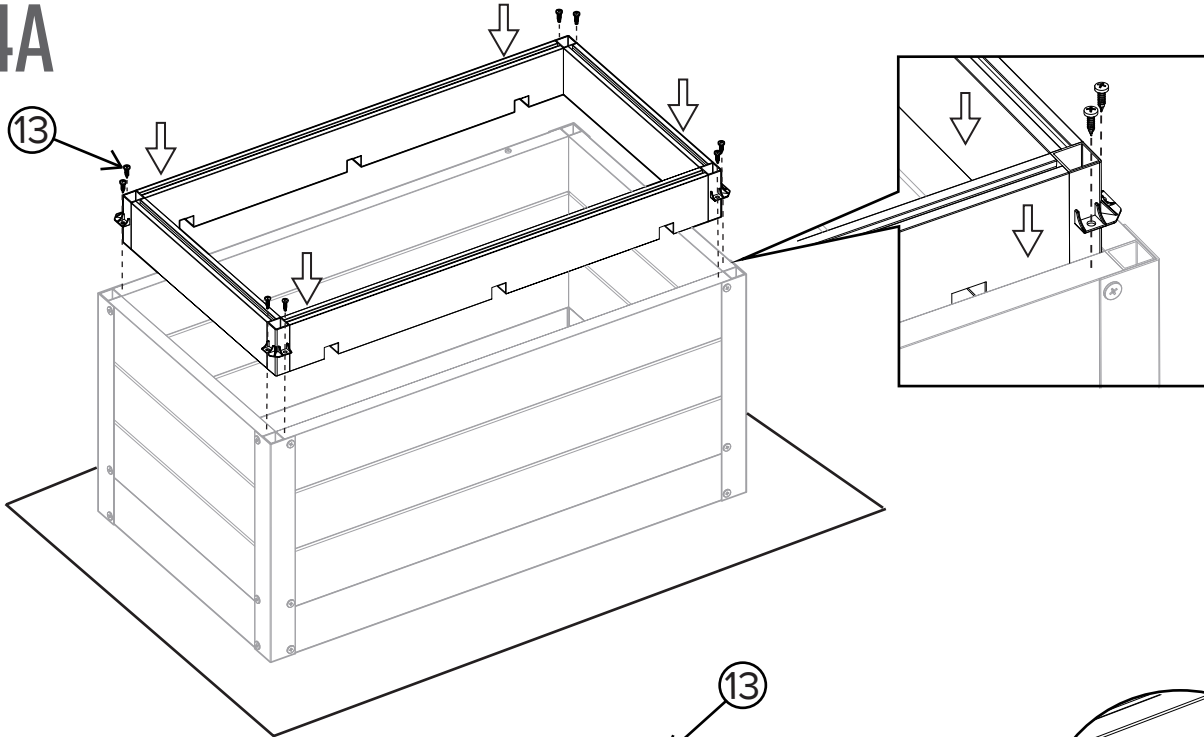


⑫x4

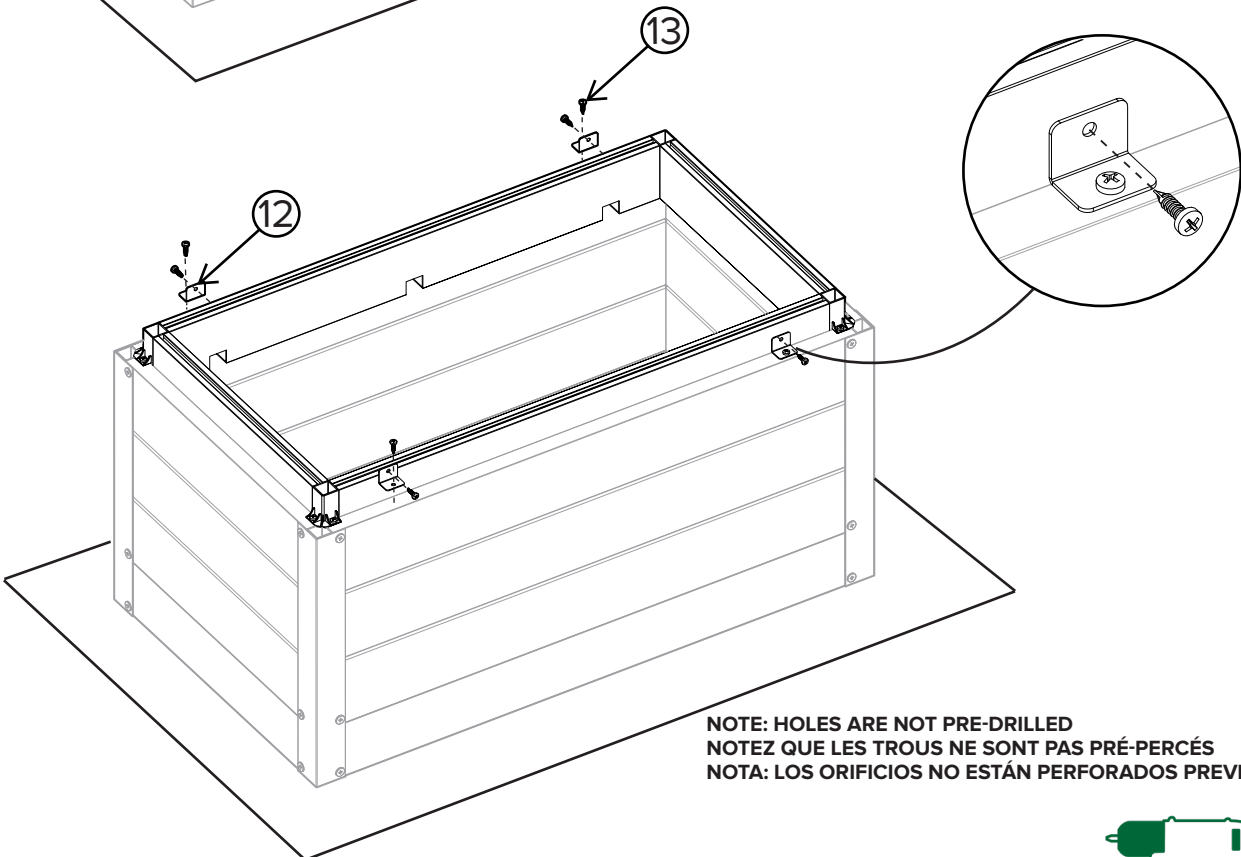
⑬x16



## 4A



## 4B

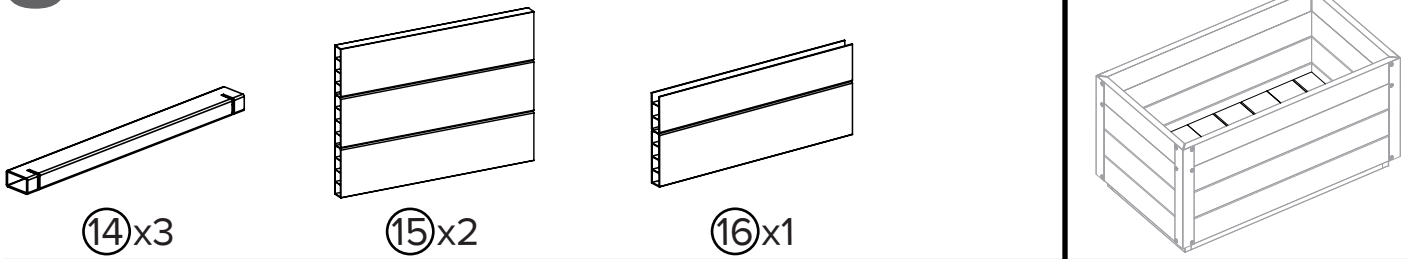


NOTE: HOLES ARE NOT PRE-DRILLED  
NOTEZ QUE LES TROUS NE SONT PAS PRÉ-PERCÉS  
NOTA: LOS ORIFICIOS NO ESTÁN PERFORADOS PREVIAMENTE

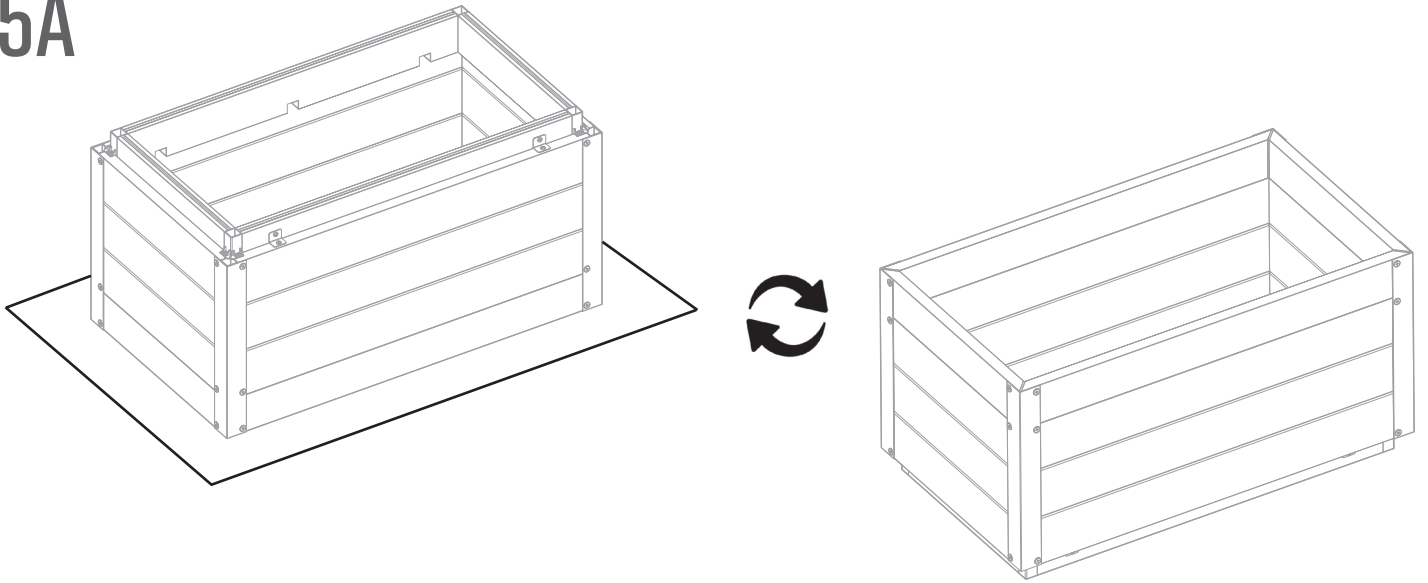


# 5

FLIP PLANTER OVER AND INSTALL PEDESTAL CROSS BRACE AND FLOORBOARDS  
RETOURNEZ LA JARDINIÈRE ET INSTALLEZ LE RENFORT DU SOCLE ET LES LAMES DE PLANCHER  
VOLTEE LA JARDINERA E INSTALE EL SOPORTE TRANSVERSAL DEL PEDESTAL Y LAS TABLAS DEL



## 5A



## 5B

