

4

3

2

1

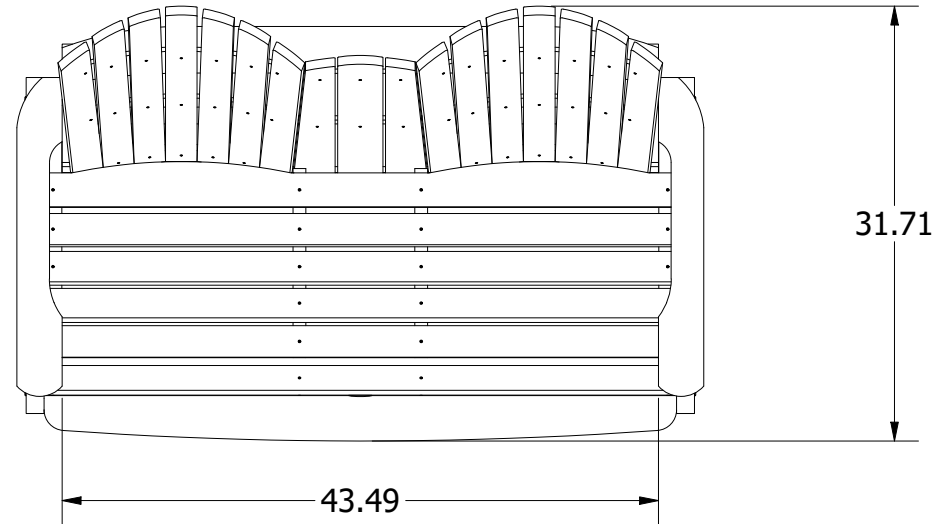
REVISION HISTORY

REV	DESCRIPTION	DATE	DESIGNER
0	Initial Release	9/9/2022	Jagr Andress

PARTS LIST

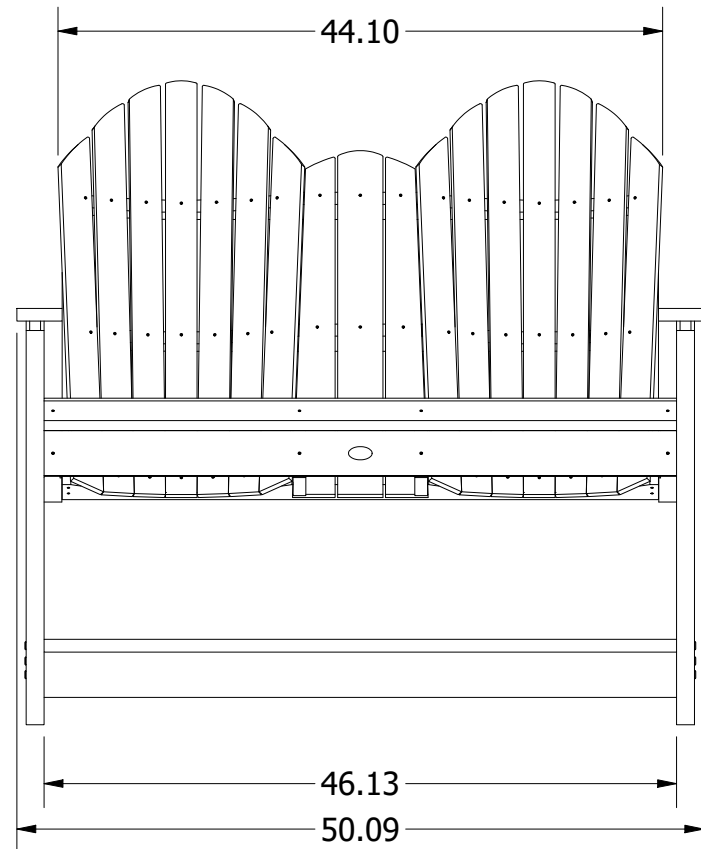
ITEM	QTY	PART NUMBER	DESCRIPTION	REV
1	1	AD-BEN-HM1-ASM-002	Seat Assembly	0
6	12	HDW-BOLT-WFR-1/4-20X2.00	1/4" x 20 x 2" - Wafer Head Bolt	0
3	2	HDW-BOLT-WFR-1_4-20X1.25	1/4" x 20 x 1-1/4" - Wafer Head Bolt	0
4	2	HDW-BOLT-WFR-1/4-20X3.00	1/4" x 20 x 3" - Wafer Head Bolt	0
5	2	HDW-BOLT-WFR-1/4-20X1.50	1/4" x 20 x 1-1/2" - Wafer Head Bolt	0
7	1	AD-BEN-HM2-ASM-002	Left Arm Assembly	0
8	1	AD-BEN-HM2-ASM-003	Right Arm Assembly	0
9	1	AD-BEN-HM2-ASM-004	Rung Assembly	0
10	1	AD-BEN-HM2-ASM-005	Footrest Rung Assembly	0
11	1	AD-BEN-HM1-ASM-003	Back Assembly	0

B

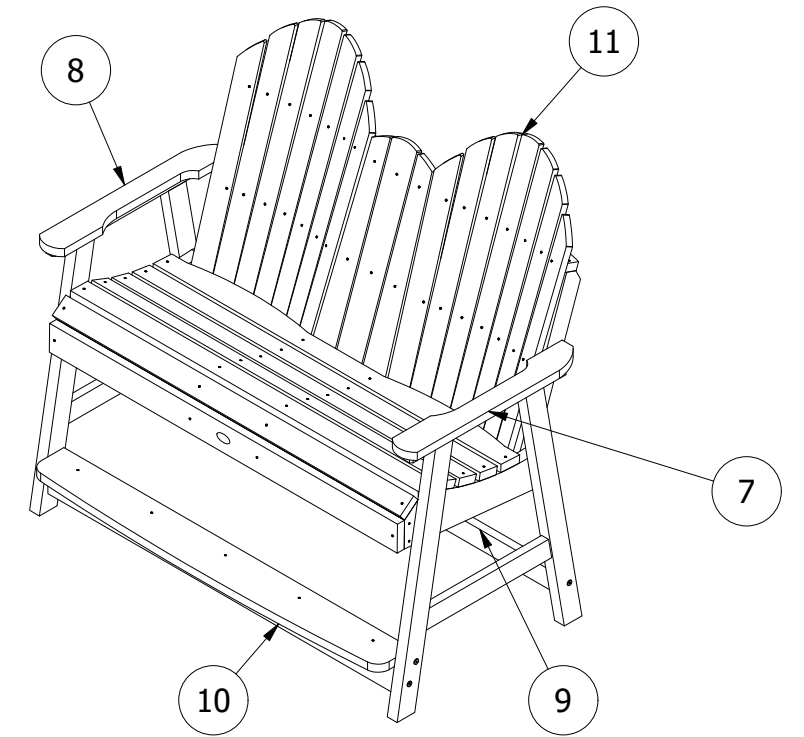
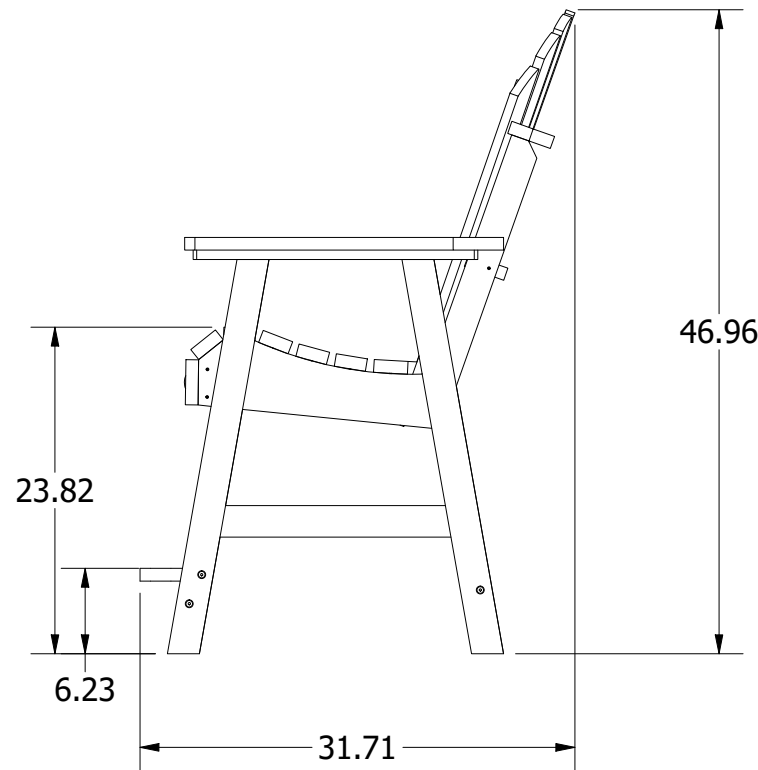


B

A



A



TOLERANCES UNLESS OTHERWISE NOTED  
 LINEAR: X.XX ±0.032"  
 X.XXX ±0.015"  
 FRACTIONS: ±1/16"  
 DIMENSIONS ARE IN INCHES  
 DO NOT SCALE DRAWING

**highwood**  
 NATURE'S CLOSEST RIVAL  
 87 Tide Road  
 Tamaqua, PA 18252

THE CONTENTS OF THIS DRAWING ARE PROPERTY OF HIGHWOOD USA LLC. INFORMATION CONTAINED IS PROPRIETARY AND MAY NOT BE REPRODUCED WITHOUT PERMISSION.

**AD-BEN-HM2 Overall Assembly**

DRAWN BY: jandress      DATE: 9/9/2022  
 PN: AD-BEN-HM2-ASM-001      SHEET 1 OF 1      REV: 0

4

3

2

1

4

3

2

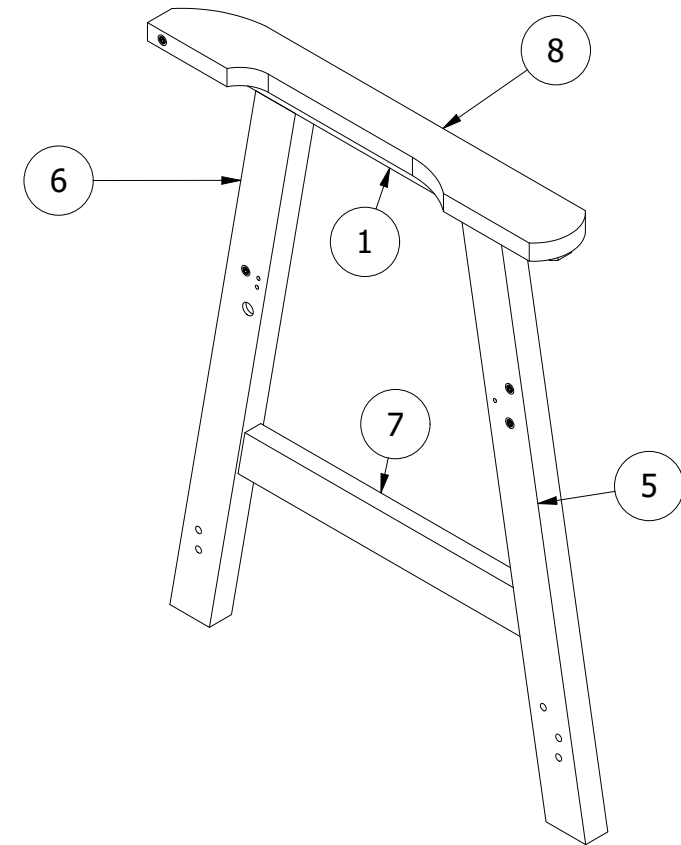
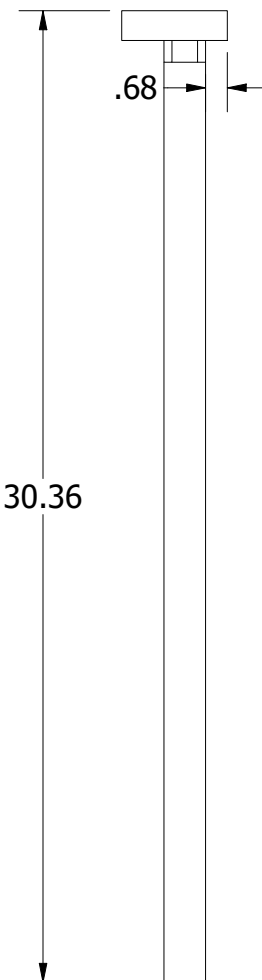
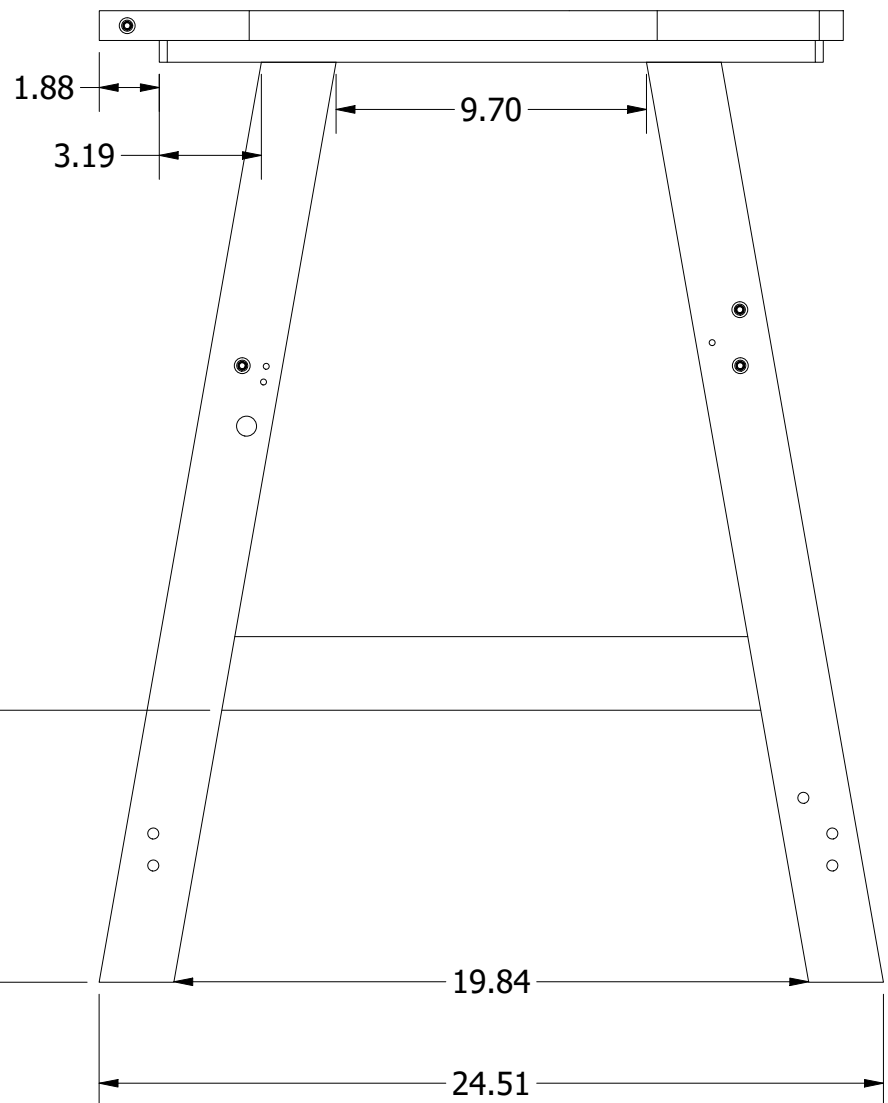
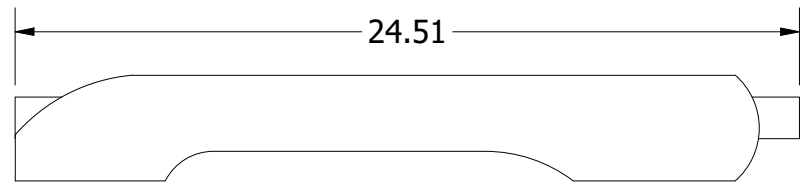
1

REVISION HISTORY

REV	DESCRIPTION	DATE	DESIGNER
0	Initial Release	9/9/2022	Jagr Andress

PARTS LIST

ITEM	QTY	PART NUMBER	DESCRIPTION	REV
1	1	AD-BENW4-011	Arm Support	0
2	4	HDW-SCRW-TRIM-08X3.00	#8 x 3" - Trim Screw	0
3	4	HDW-SCRW-TRIM-08X1.25	#8 x 1-1/4" - Trim Screw	0
4	4	A11339-02	Plastic Dowel 2.00x0.344	0
5	1	AD-CHCA2-007	Front Leg Left	0
6	1	AD-BEN-HM2-001	Left Back Leg	0
7	1	AD-CHCW2-006	LEG BRACE	0
8	1	AD-BENW2-014	Arm	0
9	4	HDW-NSRT-5/8FLG-ZNC	5/8" Insert - Flanged - 1/4-20	0



**highwood**  
NATURE'S CLOSEST RIVAL

87 Tide Road  
Tamaqua, PA 18252

THE CONTENTS OF THIS DRAWING ARE PROPERTY OF  
HIGHWOOD USA LLC. INFORMATION CONTAINED IS  
PROPRIETARY AND MAY NOT BE REPRODUCED WITHOUT PERMISSION.

**AD-BEN-HM2**  
**Left Arm Assembly**

TOLERANCES UNLESS  
OTHERWISE NOTED  
LINEAR: X.XX ±0.032"  
X.XXX ±0.015"  
FRACTIONS: ±1/16"  
DIMENSIONS ARE IN INCHES  
DO NOT SCALE DRAWING

DRAWN BY: jandress      DATE: 9/9/2022  
PN: AD-BEN-HM2-ASM-002      SHEET 1 OF 1      REV: 0

4

3

2

1

4

3

2

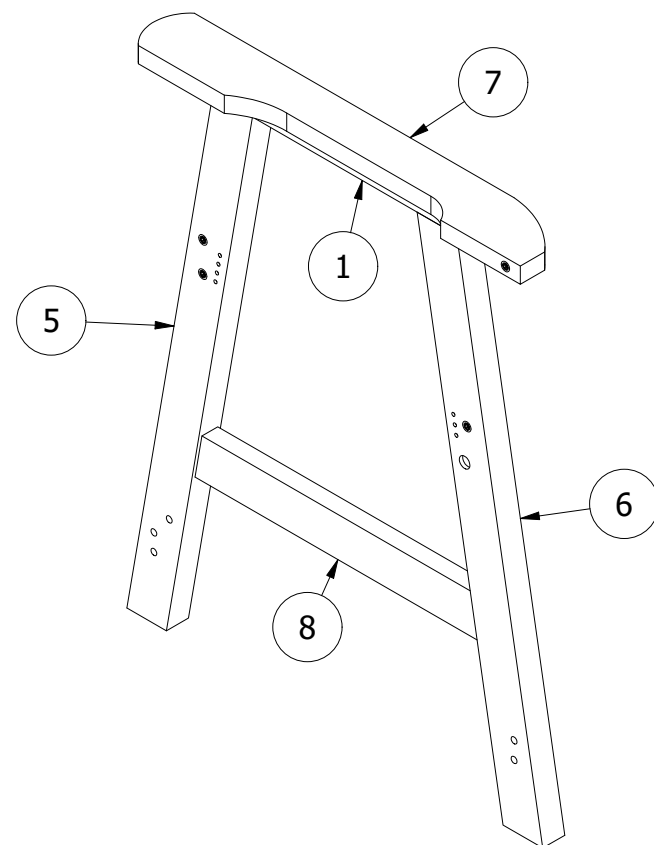
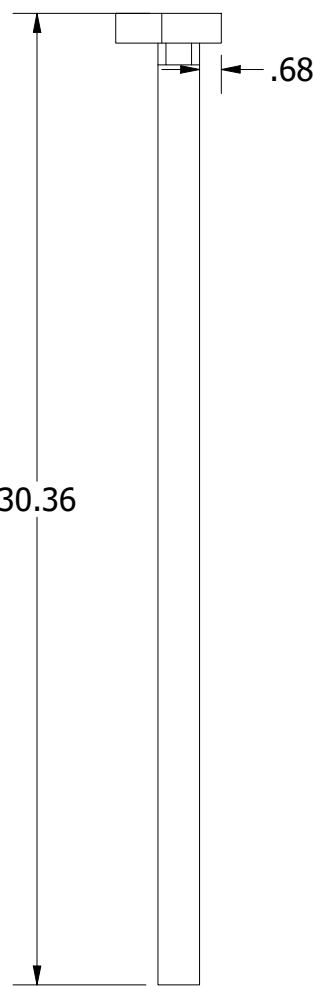
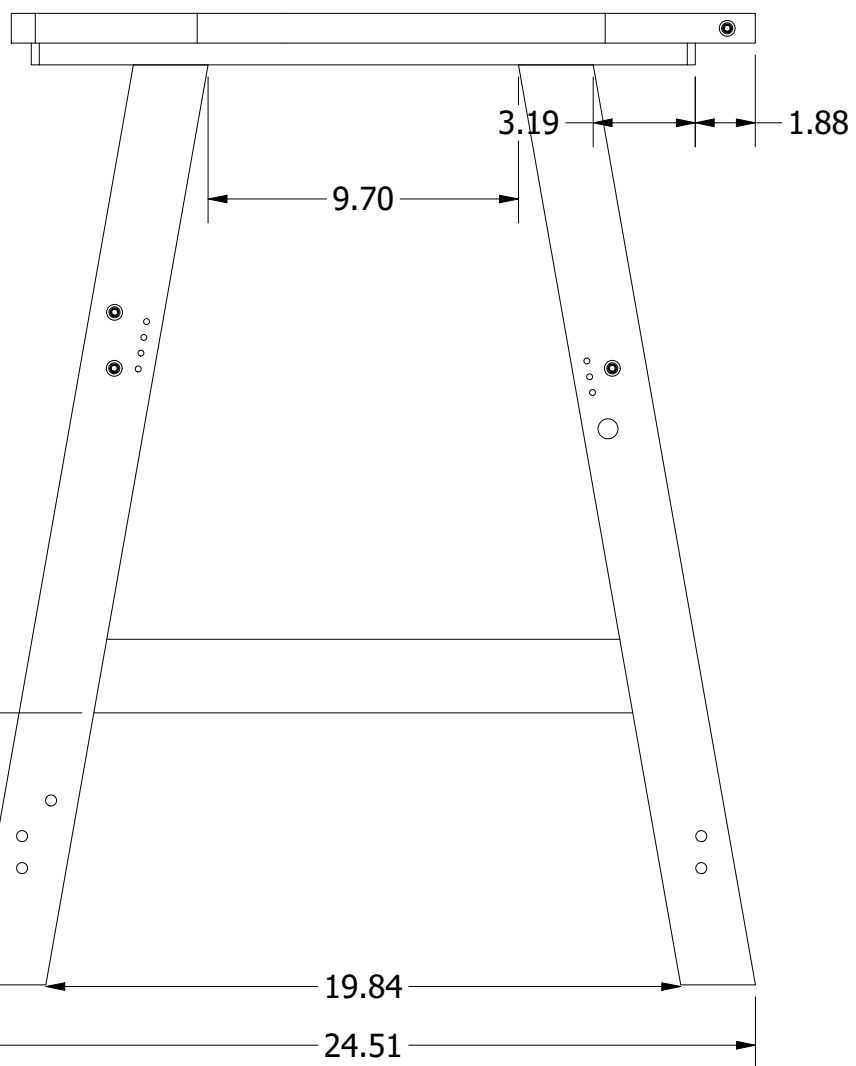
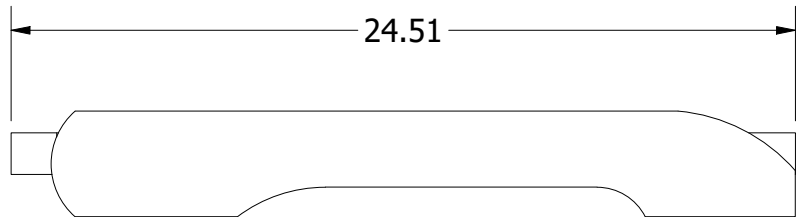
1

REVISION HISTORY

REV	DESCRIPTION	DATE	DESIGNER
	Initial Release	9/9/2022	Jagr Andress

PARTS LIST

ITEM	QTY	PART NUMBER	DESCRIPTION	REV
1	1	AD-BENW4-011	Arm Support	0
2	4	HDW-SCRW-TRIM-08X3.00	#8 x 3" - Trim Screw	0
3	4	HDW-SCRW-TRIM-08X1.25	#8 x 1-1/4" - Trim Screw	0
4	4	A11339-02	Plastic Dowel 2.00x0.344	0
5	1	AD-CHCA2-009	Front Leg Right	0
6	1	AD-BEN-HM2-002	Right Back Leg	0
7	1	AD-BENW2-014	Arm	0
8	1	AD-CHCW2-006	LEG BRACE	0
9	4	HDW-NSRT-5/8FLG-ZNC	5/8" Insert - Flanged - 1/4-20	0



**highwood**  
NATURE'S CLOSEST RIVAL

87 Tide Road  
Tamaqua, PA 18252

THE CONTENTS OF THIS DRAWING ARE PROPERTY OF  
HIGHWOOD USA LLC. INFORMATION CONTAINED IS  
PROPRIETARY AND MAY NOT BE REPRODUCED WITHOUT PERMISSION.

**AD-BEN-HM2**  
**Right Arm Assembly**

TOLERANCES UNLESS OTHERWISE NOTED  
 LINEAR: X.XX ±0.032"  
 X.XXX ±0.015"  
 FRACTIONS: ±1/16"  
 DIMENSIONS ARE IN INCHES  
 DO NOT SCALE DRAWING

DRAWN BY: jandress	DATE: 9/9/2022
PN: AD-BEN-HM2-ASM-003	SHEET 1 OF 1 REV: 0

4

3

2

1

4

3

2

1

REVISION HISTORY

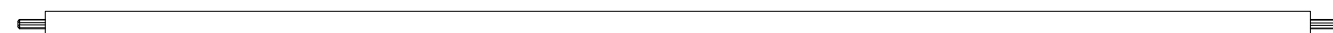
REV	DESCRIPTION	DATE	DESIGNER
0	Initial Release	9/9/2022	Jagr Andress

PARTS LIST

ITEM	QTY	PART NUMBER	DESCRIPTION	REV
1	1	AD-BEN-HM2-003	Back Rung	0
2	2	HDW-NSRT-5/8FLG-ZNC	5/8" Insert - Flanged - 1/4-20	0
3	2	A11339-02	Plastic Dowel 2.00x0.344	0

B

B



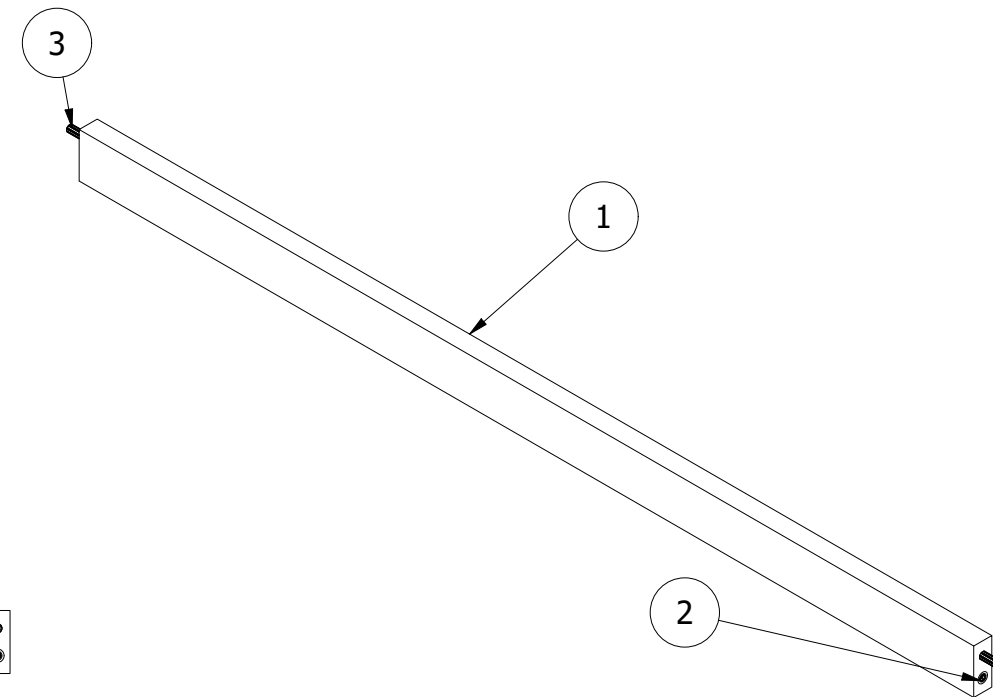
48.13



46.13

A

A



**highwood**  
NATURE'S CLOSEST RIVAL

87 Tide Road  
Tamaqua, PA 18252

THE CONTENTS OF THIS DRAWING ARE PROPERTY OF  
HIGHWOOD USA LLC. INFORMATION CONTAINED IS  
PROPRIETARY AND MAY NOT BE REPRODUCED WITHOUT PERMISSION.

**AD-BEN-HM2**  
**Rung Assembly**

DRAWN BY: jandress	DATE: 9/9/2022
PN: AD-BEN-HM2-ASM-004	SHEET 1 OF 1 REV: 0

TOLERANCES UNLESS OTHERWISE NOTED
LINEAR: X.XX ±0.032" X.XXX ±0.015"
FRACTIONS: ±1/16"
DIMENSIONS ARE IN INCHES
DO NOT SCALE DRAWING

4

3

2

1



4

3

2

1

REVISION HISTORY

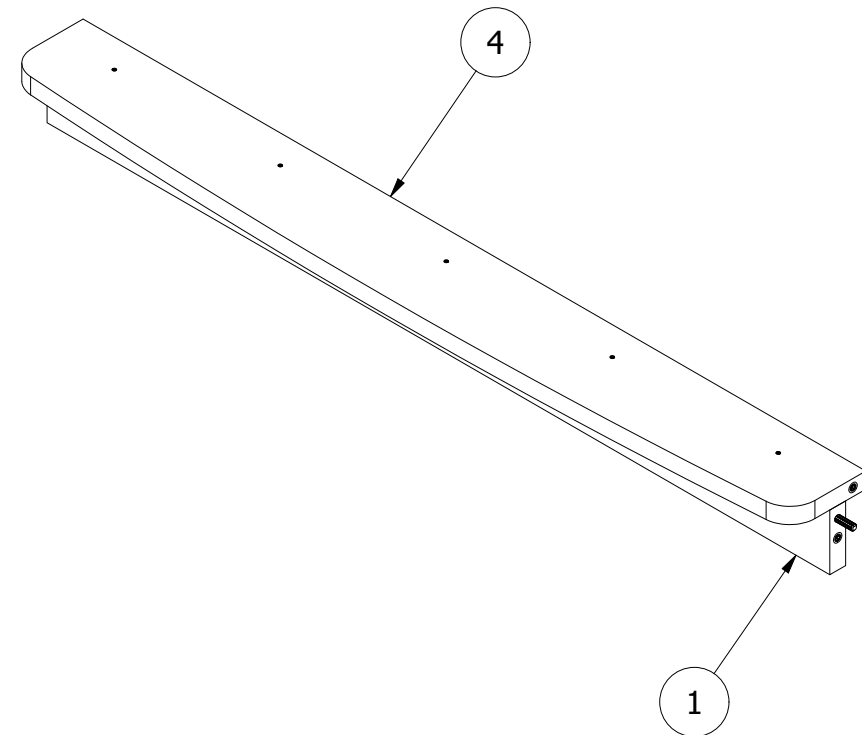
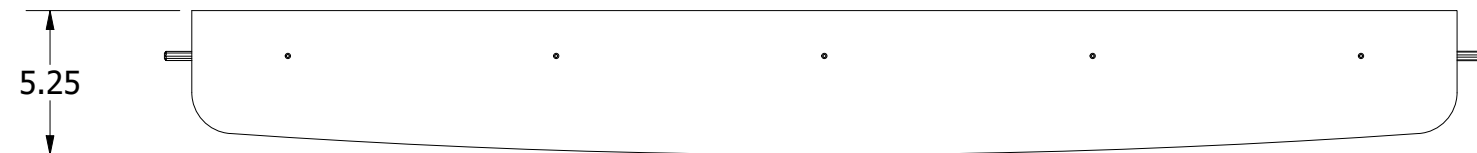
REV	DESCRIPTION	DATE	DESIGNER
0	Initial Release	9/8/2022	Jagr Andress

PARTS LIST

ITEM	QTY	PART NUMBER	DESCRIPTION	REV
1	1	AD-BEN-HM2-004	Footrest Rung	0
2	4	HDW-NSRT-5/8FLG-ZNC	5/8" Insert - Flanged - 1/4-20	0
3	2	A11339-02	Plastic Dowel 2.00x0.344	0
4	1	AD-BEN-HM2-005	Footrest	0
5	5	HDW-SCRW-TRIM-08X3.00	#8 x 3" - Trim Screw	0

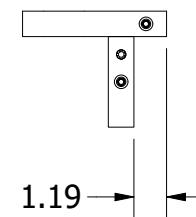
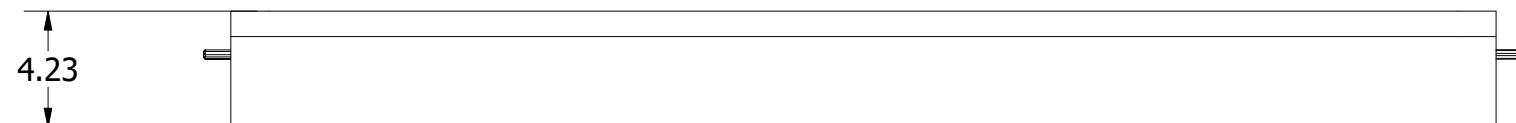
B

B



A

A



46.13

A

A

4

3

2

1

**highwood**  
NATURE'S CLOSEST RIVAL

87 Tide Road  
Tamaqua, PA 18252

THE CONTENTS OF THIS DRAWING ARE PROPERTY OF  
HIGHWOOD USA LLC. INFORMATION CONTAINED IS  
PROPRIETARY AND MAY NOT BE REPRODUCED WITHOUT PERMISSION.

**AD-BEN-HM2**  
**Footrest Rung Assembly**

TOLERANCES UNLESS  
OTHERWISE NOTED

LINEAR: X.XX ±0.032"  
X.XXX ±0.015"

FRACTIONS: ±1/16"

DIMENSIONS ARE IN INCHES

DO NOT SCALE DRAWING

DRAWN BY: jandress

DATE: 9/8/2022

PN: AD-BEN-HM2-ASM-005

SHEET 1 OF 1

REV: 0

4

3

2

1

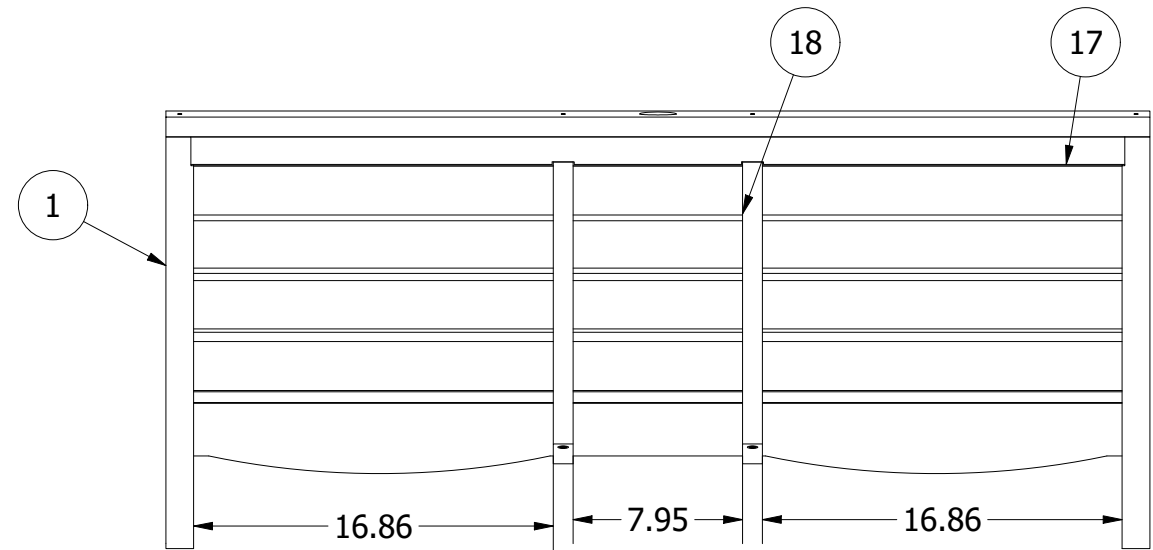
REVISION HISTORY

REV	DESCRIPTION	DATE	DESIGNER
0	Initial Release	9/7/2022	Jagr Andress

PARTS LIST

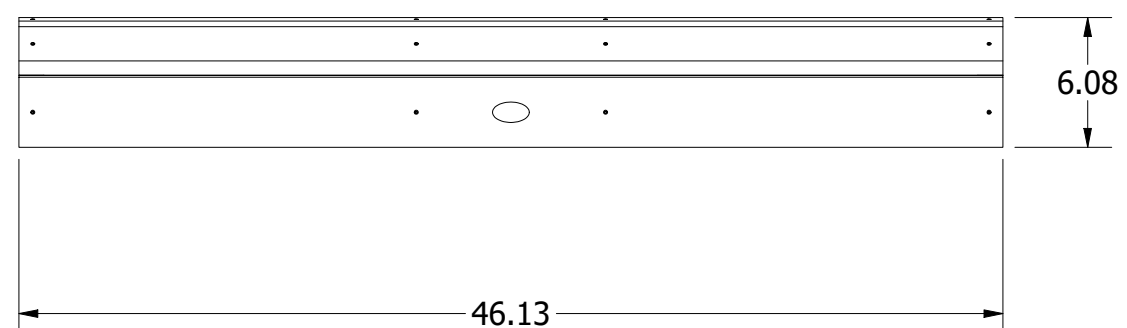
ITEM	QTY	PART NUMBER	DESCRIPTION	REV
1	1	AD-BEN-HM1-016	Right Seat Support	0
4	5	AD-BEN-HM1-014	Seat Slat	0
12	1	JDW-COMP-0022	Highwood Badge	0
16	1	AD-BEN-HM1-015	Left Seat Support	0
17	1	AD-BEN-HM1-019	Seat Front	0
18	2	AD-BEN-HM1-017	Middle Seat Support	0
19	1	AD-BEN-HM1-018	Seat Fascia	0
20	28	HDW-SCRW-TRIM-08X2.00	#8 x 2" - Trim Screw	0
21	2	HDW-NSRT-5/8FLG-ZNC	5/8" Insert - Flanged - 1/4-20	0
22	8	HDW-SCRW-TRIM-08X3.00	#8 x 3" - Trim Screw	0
23	1	AD-BEN-HM1-020	Back Seat Slat	0

B

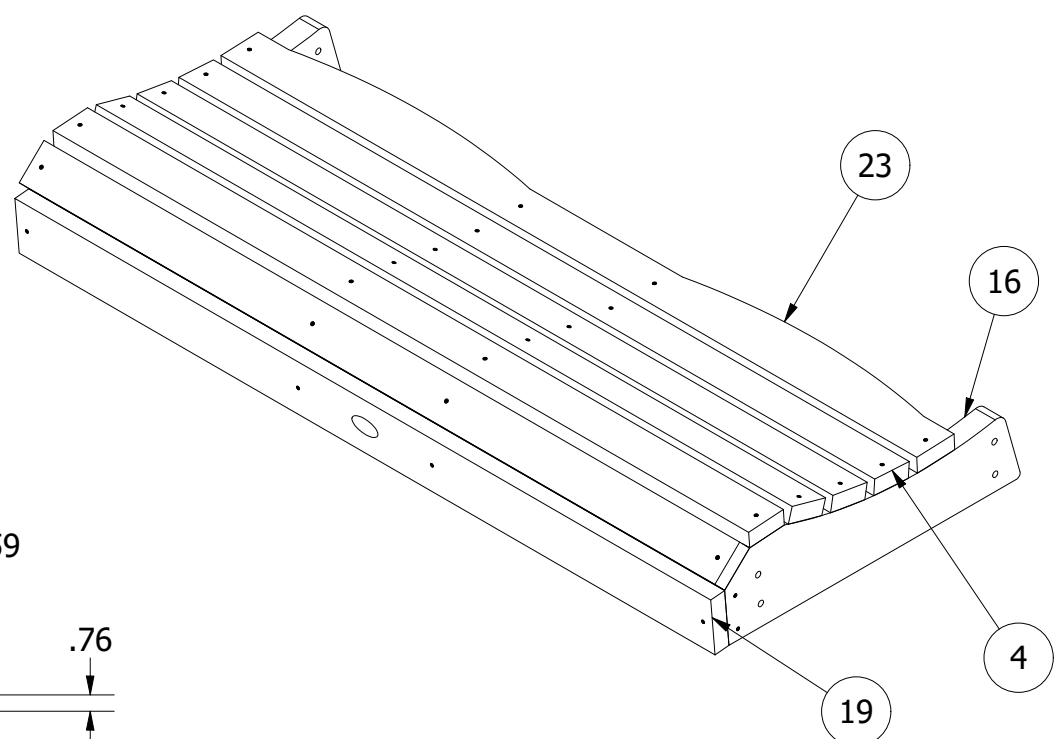
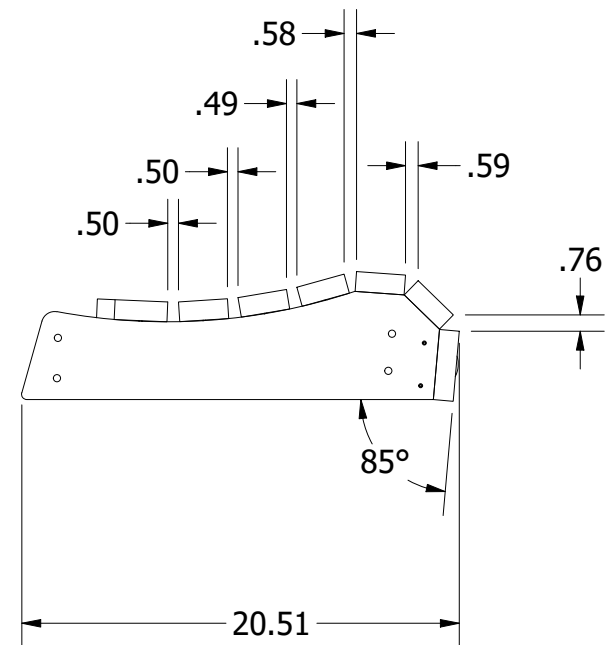


B

A



A



TOLERANCES UNLESS OTHERWISE NOTED  
 LINEAR: X.XX ±0.032"  
 X.XXX ±0.015"  
 FRACTIONS: ±1/16"  
 DIMENSIONS ARE IN INCHES  
 DO NOT SCALE DRAWING

**highwood**  
 NATURE'S CLOSEST RIVAL  
 87 Tide Road  
 Tamaqua, PA 18252

THE CONTENTS OF THIS DRAWING ARE PROPERTY OF HIGHWOOD USA LLC. INFORMATION CONTAINED IS PROPRIETARY AND MAY NOT BE REPRODUCED WITHOUT PERMISSION.

**AD-BEN-HM1  
 Seat Assembly**  
 DRAWN BY: jandress      DATE: 9/7/2022  
 PN: AD-BEN-HM1-ASM-002      SHEET 1 OF 1      REV: 0

4

3

2

1

4

3

2

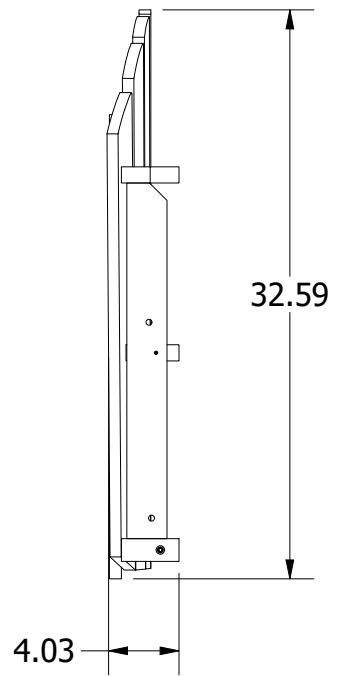
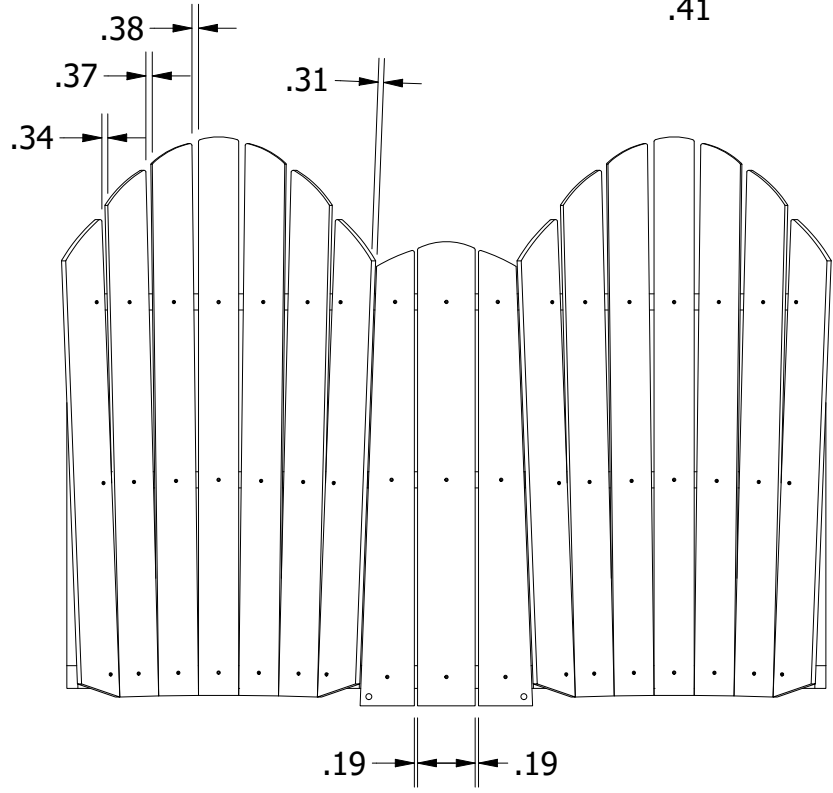
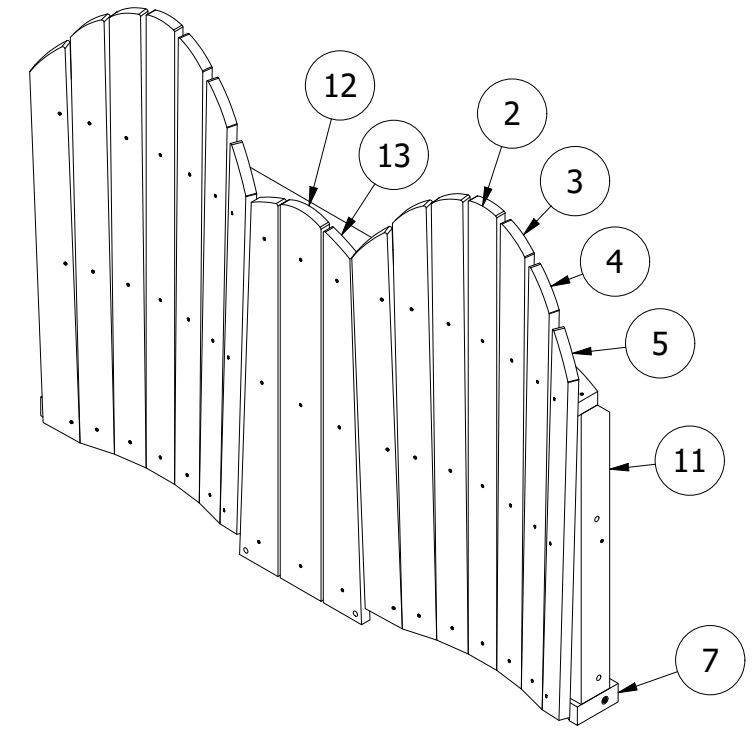
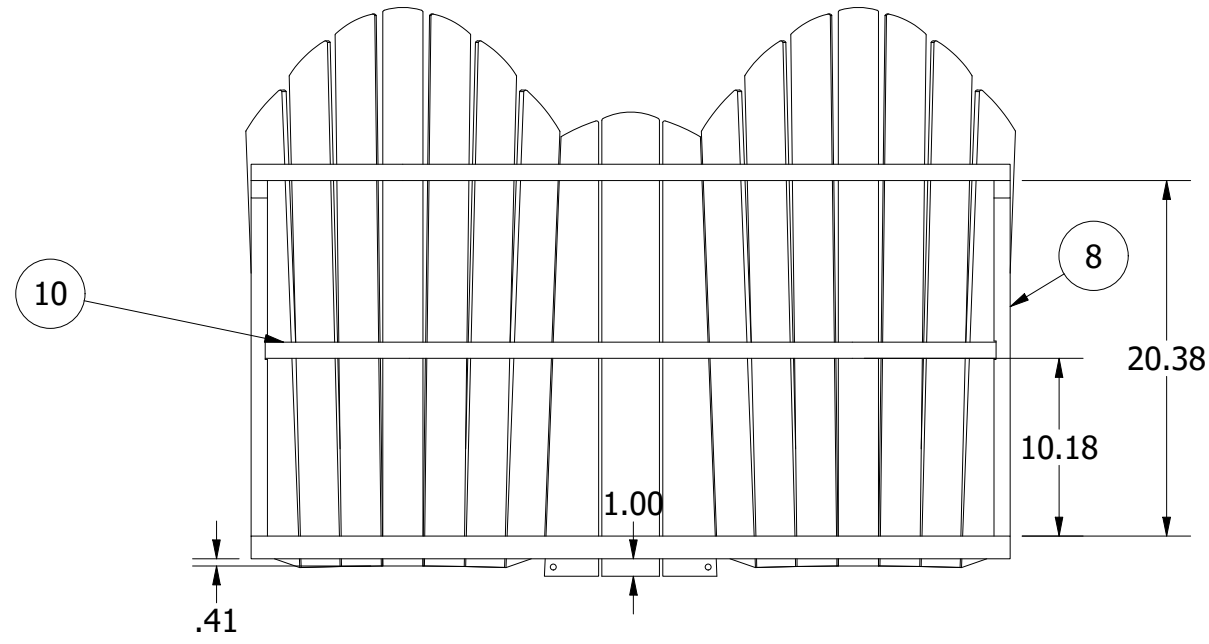
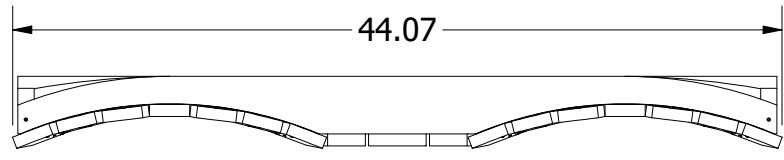
1

REVISION HISTORY

REV	DESCRIPTION	DATE	DESIGNER
0	Initial Release	9/6/2022	Jagr Andress

PARTS LIST

ITEM	QTY	PART NUMBER	DESCRIPTION	REV
1	59	HDW-SCRW-TRIM-08X2.00	#8 x 2" - Trim Screw	0
2	2	AD-BEN-HM1-003	Back Slat 1	0
3	4	AD-BEN-HM1-004	Back Slat 2	0
4	4	AD-BEN-HM1-005	Back Slat 3	0
5	4	AD-BEN-HM1-006	Back Slat 4	0
7	1	AD-BEN-HM1-011	Bottom Back Brace	0
8	1	AD-BEN-HM1-009	Back Upright 1	0
9	1	AD-BEN-HM1-013	Top Back Brace	0
10	1	AD-BEN-HM1-012	Middle Back Brace	0
11	1	AD-BEN-HM1-010	Back Upright 2	0
12	1	AD-BEN-HM1-007	Middle Back Slat	0
13	2	AD-BEN-HM1-008	Middle Back Slat 1	0
14	2	HDW-NSRT-5/8FLG-ZNC	5/8" Insert - Flanged - 1/4-20	0



**highwood**  
NATURE'S CLOSEST RIVAL

87 Tide Road  
Tamaqua, PA 18252

THE CONTENTS OF THIS DRAWING ARE PROPERTY OF  
HIGHWOOD USA LLC. INFORMATION CONTAINED IS  
PROPRIETARY AND MAY NOT BE REPRODUCED WITHOUT PERMISSION.

**AD-BEN-HM1  
Back Assembly**

TOLERANCES UNLESS OTHERWISE NOTED  
LINEAR: X.XX ±0.032"  
X.XXX ±0.015"  
FRACTIONS: ±1/16"  
DIMENSIONS ARE IN INCHES  
DO NOT SCALE DRAWING

DRAWN BY: jandress	DATE: 9/6/2022
PN: AD-BEN-HM1-ASM-003	SHEET 1 OF 1 REV: 0

4

3

2

1