

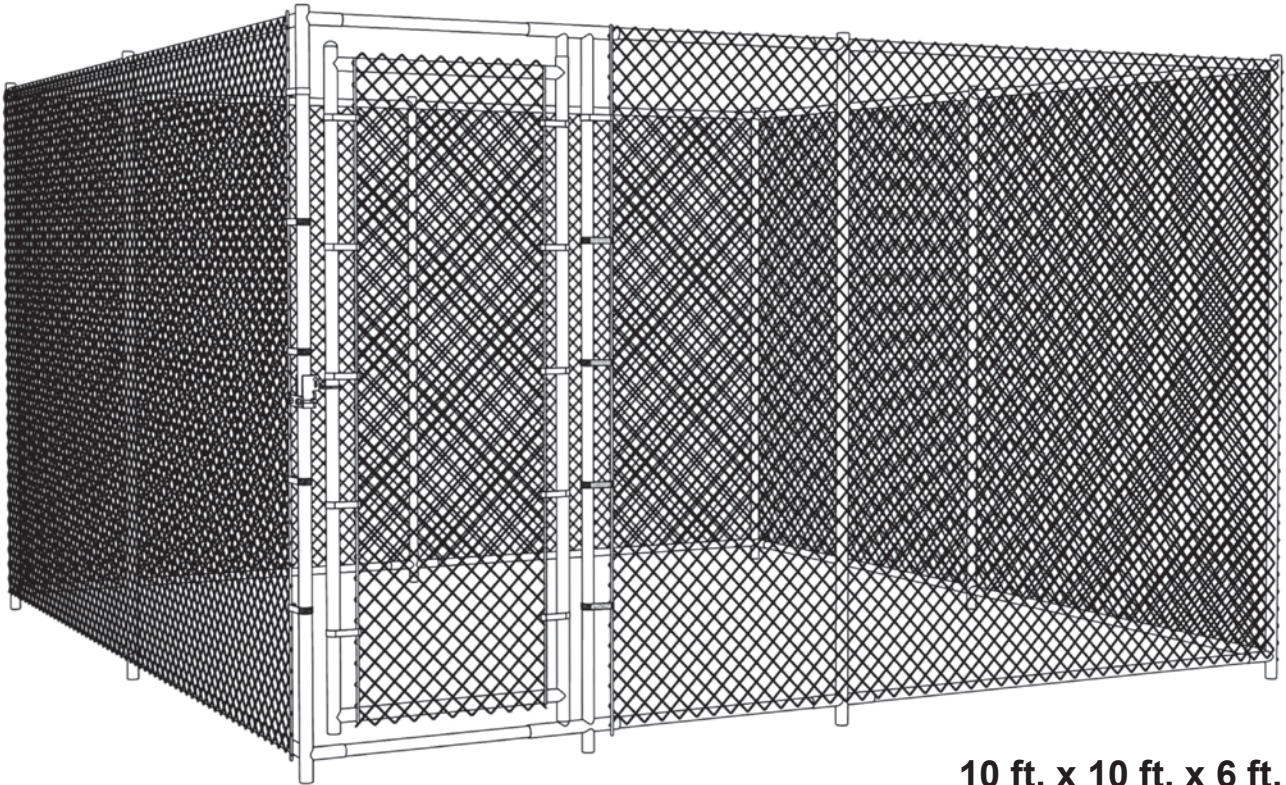
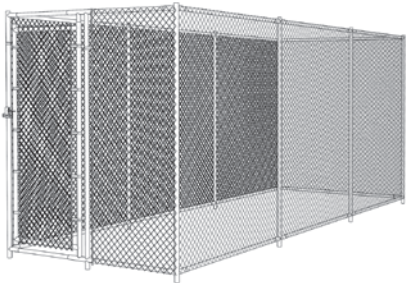


ITEM #0476087

CHAIN LINK PET KENNEL

MODEL #830063

**5 ft. x 15 ft. x 6 ft.
Configuration**



**10 ft. x 10 ft. x 6 ft.
Configuration**

ATTACH YOUR RECEIPT HERE

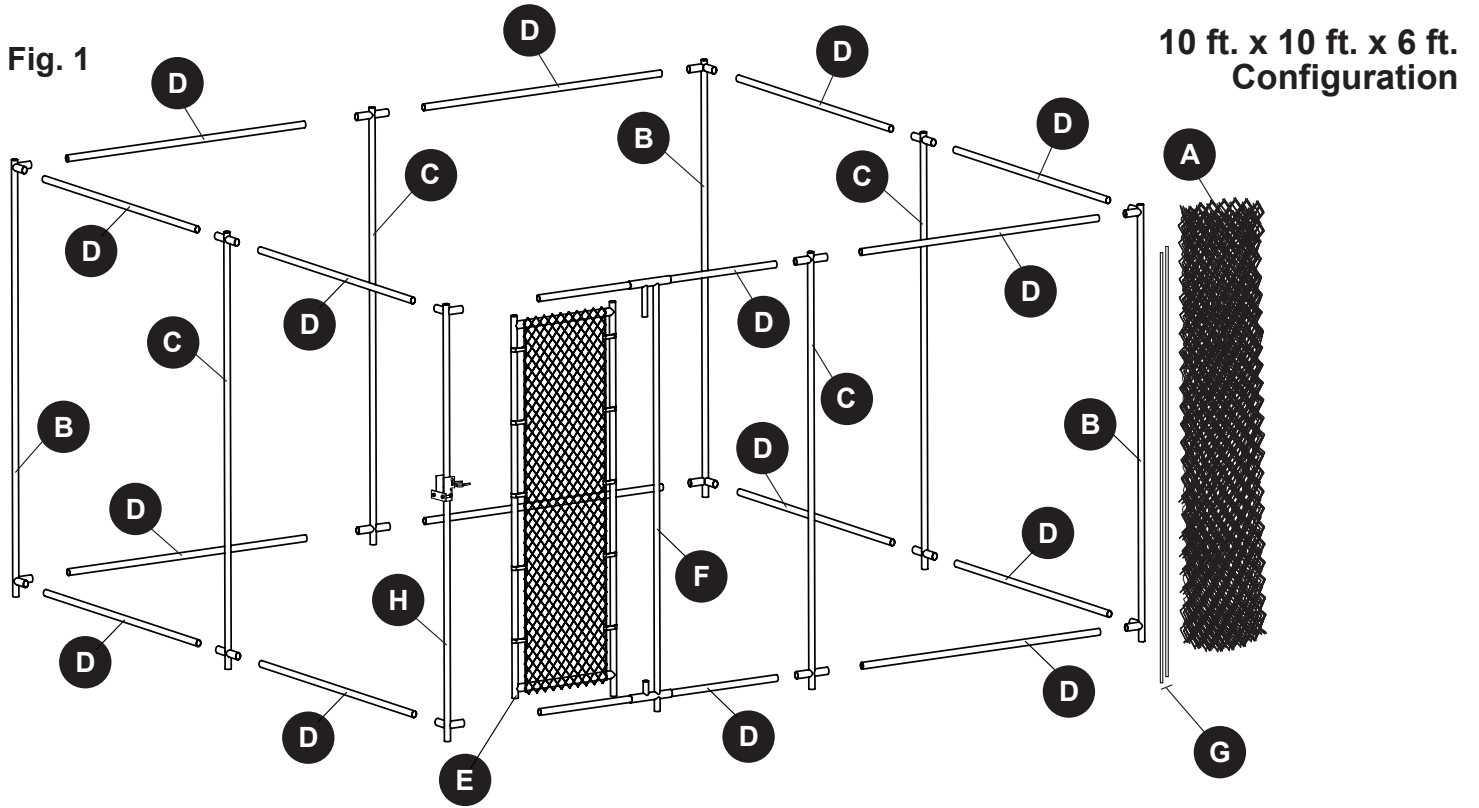
Purchase Date _____



Questions, problems, missing parts? Before returning to your retailer, call our customer service department at 1-800-576-2367, 8 a.m. - 6 p.m., EST, Monday - Friday.

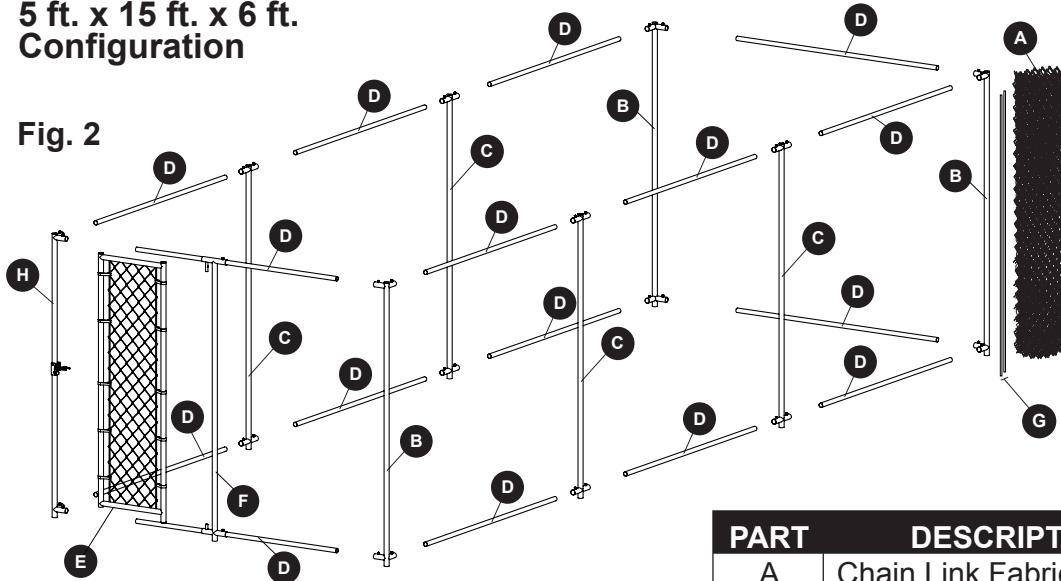
Reach us by email at PetSentinel@opbglobal.com

PACKAGE CONTENTS



5 ft. x 15 ft. x 6 ft. Configuration

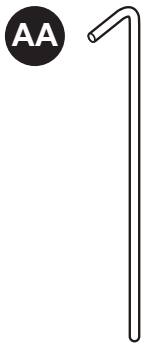
Fig. 2



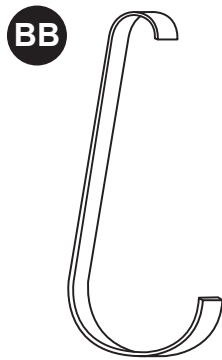
PART	DESCRIPTION	QUANTITY
A	Chain Link Fabric Roll	1
B	Corner Post	3
C	Intermediate Post	4
D	Horizontal Rails	16
E	Gate Panel	1
F	Gate Post	1
G	Tension Rods	2
H	Corner Post With Gate Latch	1

NOTE: Gate latch is pre-installed, please do not remove.

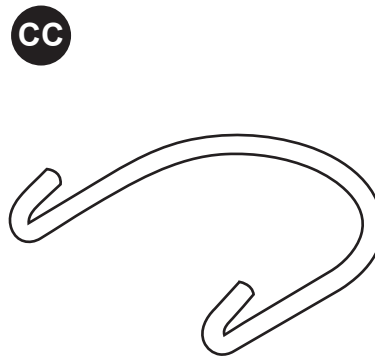
HARDWARE CONTENTS



Steel Wire Tie
Qty. 80



Gate Clips
Qty. 10



Steel Wire Clips
Qty. 22

! SAFETY INFORMATION

Please read and understand this entire manual before attempting to assemble, operate or install the product.

PREPARATION

Before beginning assembly of product, make sure all parts are present. Compare parts with package contents list and hardware contents list. If any part is missing or damaged, do not attempt to assemble the product. This kennel can be built in two configurations: 10 ft. x 10 ft. or 5 ft. x 15 ft.

Estimated Assembly Time: 2 Hours

Two people are recommended to assemble this kennel.

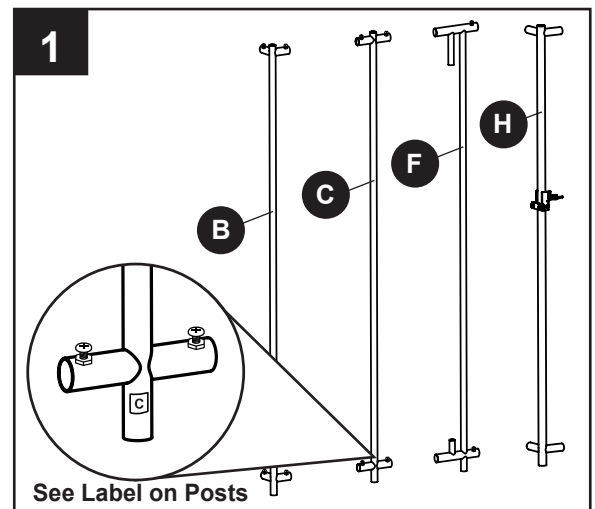
Tools Required for Assembly (not included): #2 Phillips Screwdriver, 9/16 in. Wrench, Pliers

Choose the site for your kennel. The location should be flat, level and suitable for pets. Choose location of door before you start to build kennel.

ASSEMBLY INSTRUCTIONS

1. Gather the corner and intermediate posts (B & C) and gate post (F). Each post is labeled with a removable sticker as the bottom of the post, for easy identification. Loosen the pre-assembled screws in the connectors to make insertion of horizontal rails (D) possible. Do not remove screws, just loosen. Note: Bottom of posts have 1 in. extension.

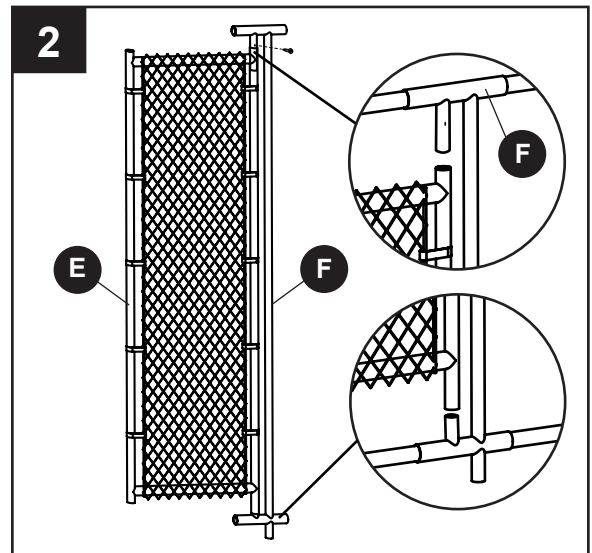
Pro Tip: For ease of assembly, we suggest you lay the posts and rails out on the ground in a manner that corresponds to the exploded view of your chosen configuration, either Fig. 1 (10' x 10') or Fig. 2 (5' x 15').



ASSEMBLY INSTRUCTIONS

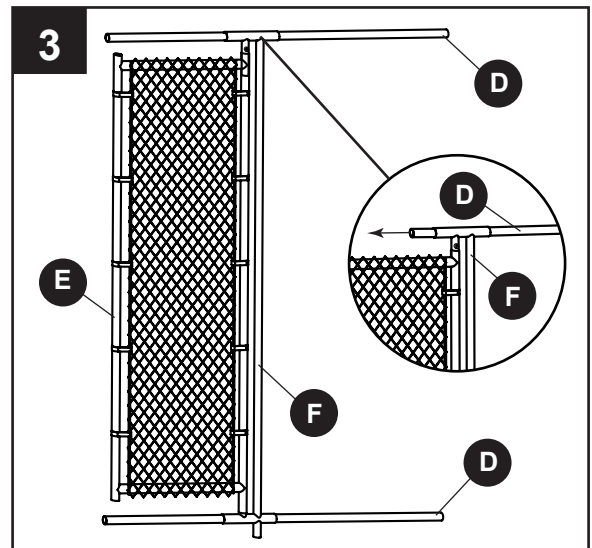
2. Assemble gate (E) and gate post (F). Start by removing the gate keeper screw from the top hinge tube on the gate post (F). Insert the top of the gate into the hinge tube and push in as far as it can go. Then, guide the bottom of the gate onto the bottom hinge tube. Push gate back downward to sit on the bottom hinge tube. Re-install the gate keeper screw to capture the gate.

Note: The gate post (F) is designed to allow the horizontal rails (D) to slide through the tubes.



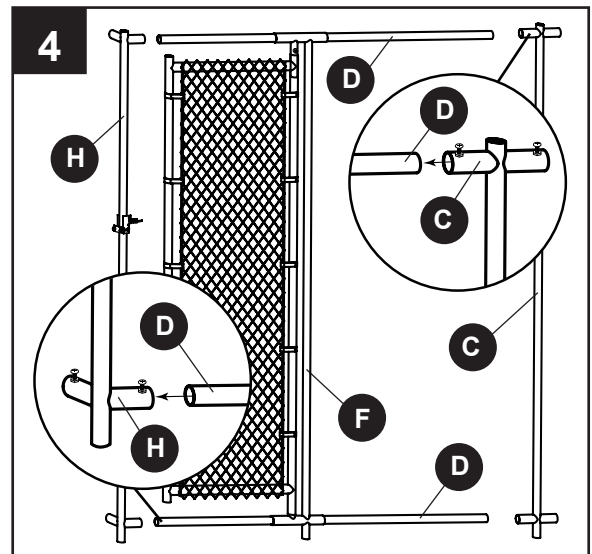
3. Lay the assembled gate on the ground and slide horizontal rails (D) through the tubes on the gate post (F).

Note: Bottom of posts have 1 in. extension.



4. Slide the top and bottom horizontal rails into corner post (H) and then slide on an intermediate post (C) on right.

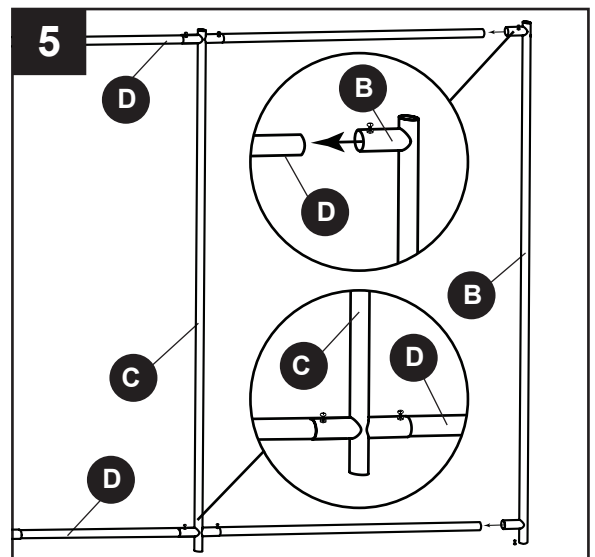
Note: If you are building a 5 ft. x 15 ft. then you will use a corner post (B) at the right end of the horizontal rails (D).



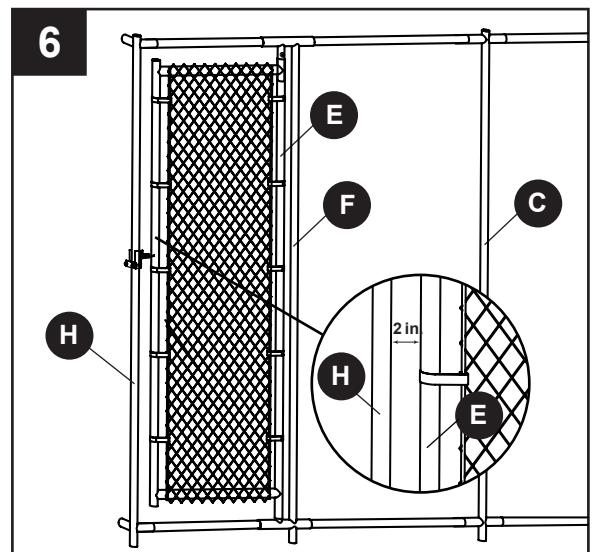
ASSEMBLY INSTRUCTIONS

- Working toward the right, slide another set of horizontal rails (D) into the intermediate post (C) and then a corner post (B) to the right.

NOTE: Adjust your use of corner posts (B) and intermediate posts (C) depending on which configuration you are building, following the exploded view shown earlier.

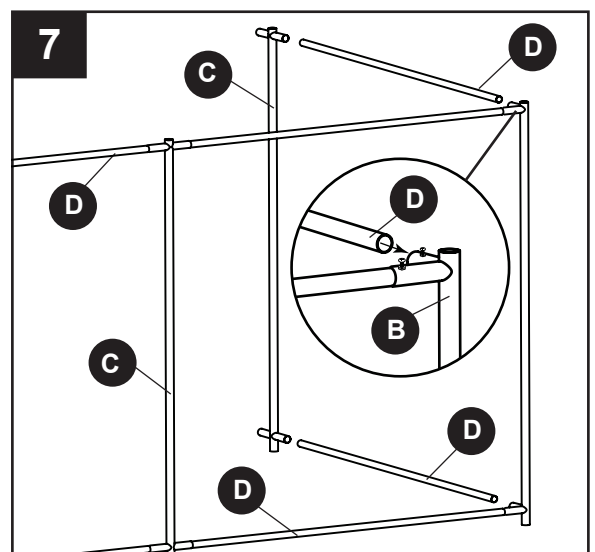


- Tighten the screws on all corner (B&H), gate (F) and intermediate posts (C). It is important to leave 2 inches space between the swinging side of gate and the post for proper latch function. This will complete the gate side. Carefully stand the completed panel up.



- Insert top and bottom horizontal rails (D) into the corner posts to start the side of kennel, then into an intermediate post (C). Then, another set of horizontal rails (D) and then a corner post (B). Note: If you are building in the 5 ft. x 15 ft. configuration, repeat the process with two more horizontal rails and another intermediate post.

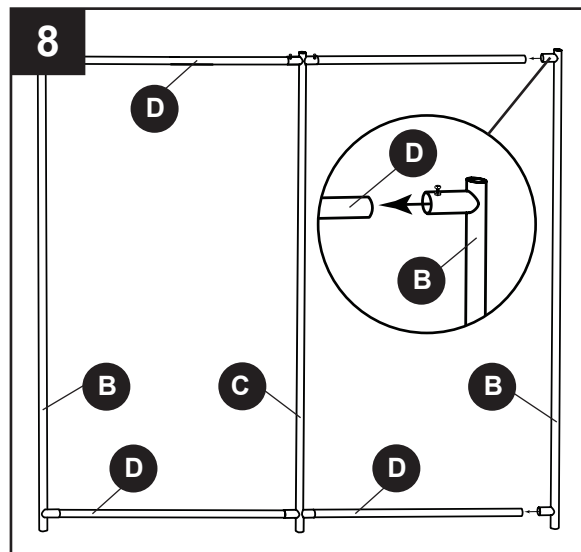
Repeat this process to complete the left side of the kennel.



ASSEMBLY INSTRUCTIONS

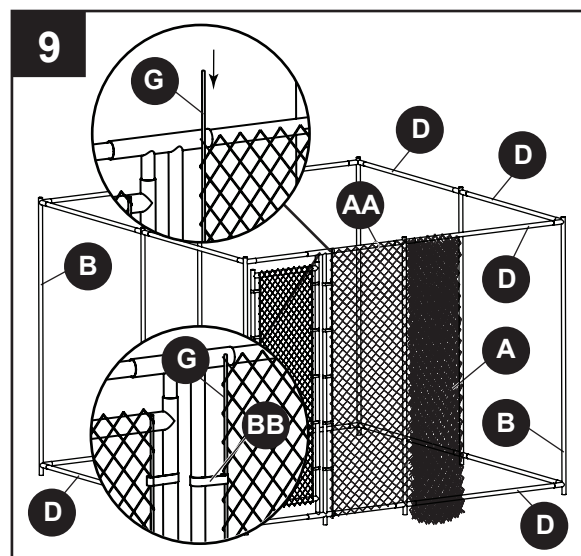
8. Complete the rear of the kennel with the addition of four horizontal rails (D) and an intermediate post (C). Tighten all screws in all connectors.

Note: If you are building in 5 ft. x 15 ft., only two horizontal rails are needed to complete.



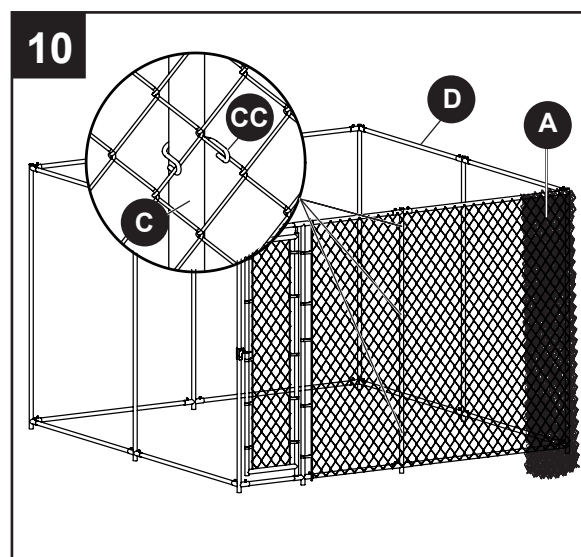
9. With **two** people, lift the chain link fabric roll (A) up into a standing position and drop a tension rod (G) into the end links and connect to the gate post (F) with five gate clips (BB) evenly spaced. Unroll the fabric around the kennel frame.

Use wire ties (AA) to secure fabric to the top of the kennel frame (D) to keep it in place. Ties can be loosely applied and then tightened after the fabric is fully unrolled.



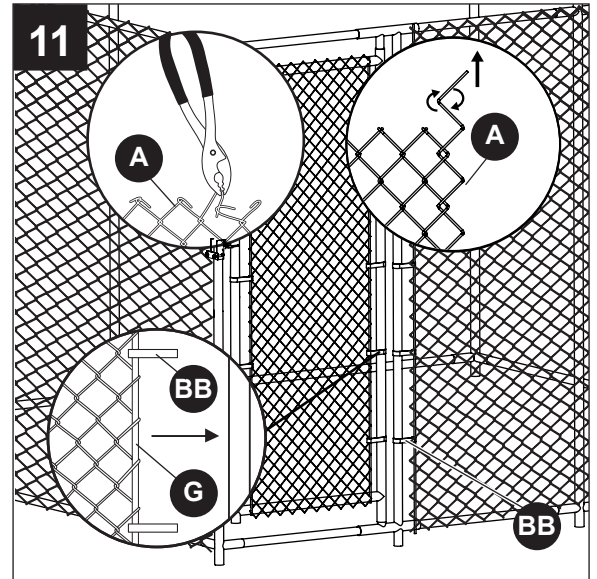
10. To insure the tightest fit of the fabric, it is suggested to pull the fabric as tight as possible at each vertical member and apply three wire clips (CC) to hold in place as one person is tensioning the fabric.

Doing this as the fabric is unrolled, at all 7 of the vertical members will assist in making the final length determination and a tight fit of the chain link fabric.



ASSEMBLY INSTRUCTIONS

11. Chain link fabric (A) is cut to size but may need to be shortened for exact fit. You may need to “cut” the fabric by removing a wire. When the fabric is fully unrolled and the ties have secured the fabric to the vertical members for tightness, you should assess the remaining length and whether the fabric will need to be shortened. Insert the drop rod (G) into the fabric and with the help of the Gate Clips (BB) pull the fabric toward the final vertical and determine if there is excess length and measure to see how much will need to be removed for proper fit. Removing one wire will result in a shortening of approx. 1-3/4". Using pliers, unlock the knuckles at the top and bottom of wire to be removed.



Then, twist the wire out from the top. Remove the appropriate number of wires, without removing too many. Close the knuckles with pliers. Drop a tension rod (G) in the last diamonds of the fabric and stretch it tight. Connect to post with five gate clips (BB). Fasten fabric with wire ties (AA). Place ties around bottom of kennel at 12 in. intervals. Place ties around top at 18 in. intervals.

Expect to use about 31 of the wire ties to secure the top of the fabric to the frame and likewise use 49 of the wire ties to hold the bottom of the fabric tight.

Note:

Once the chain link fabric is stretched and secured installer must then go back and tighten all wire ties. It's imperative that bottom wire ties are secured to ensure the dog cannot break through enclosure.

WARRANTY

ONE YEAR LIMITED WIRE KENNEL WARRANTY

What is Covered

The manufacturer warrants that the kennel will be free from defects in workmanship for a period of one (1) year. This warranty is extended only to an original purchaser who installed the product at a residence (not commercial premises) in the 50 United States. It is not transferable.

If a defect exists, the manufacturer will, at its option, either repair or replace the product or the defective component. This warranty does not cover the costs of labor to remove a defective product or component or install any replacement product or component.

This warranty shall not apply to defects or damages caused by mishandling, improper installation or installation not in accordance with the instructions provided with the product, alteration, removal or re-installation, improper or unreasonable use, maintenance or storage, use of incompatible accessories, accident, impact by foreign objects, fire, acts of God or normal wear and tear.

No person is authorized to extend or otherwise modify this Warranty.

How to Obtain Warranty Service

To obtain warranty service, call 1-800-576-2367, 8 a.m. - 6 p.m., EST, Monday - Friday.

Limitations

THE DURATION OF ANY IMPLIED WARRANTY, INCLUDING THE WARRANTIES OF MERCHANTABILITY AND FITNESS FOR A PARTICULAR PURPOSE, SHALL NOT EXCEED THE WARRANTY PERIOD PROVIDED HEREIN.

Some states do not allow limitations on how long an implied warranty lasts, so the above limitation may not apply to you.

THE MANUFACTURER SHALL NOT BE LIABLE FOR ANY INCIDENTAL OR CONSEQUENTIAL DAMAGES RESULTING FROM THE BREACH OF ANY WRITTEN OR IMPLIED WARRANTY.

Some states do not allow the exclusion or limitation of incidental or consequential damages, so the above limitation or exclusion may not apply to you.

This warranty gives you specific legal rights, and you may also have the other legal rights which vary from State to State.