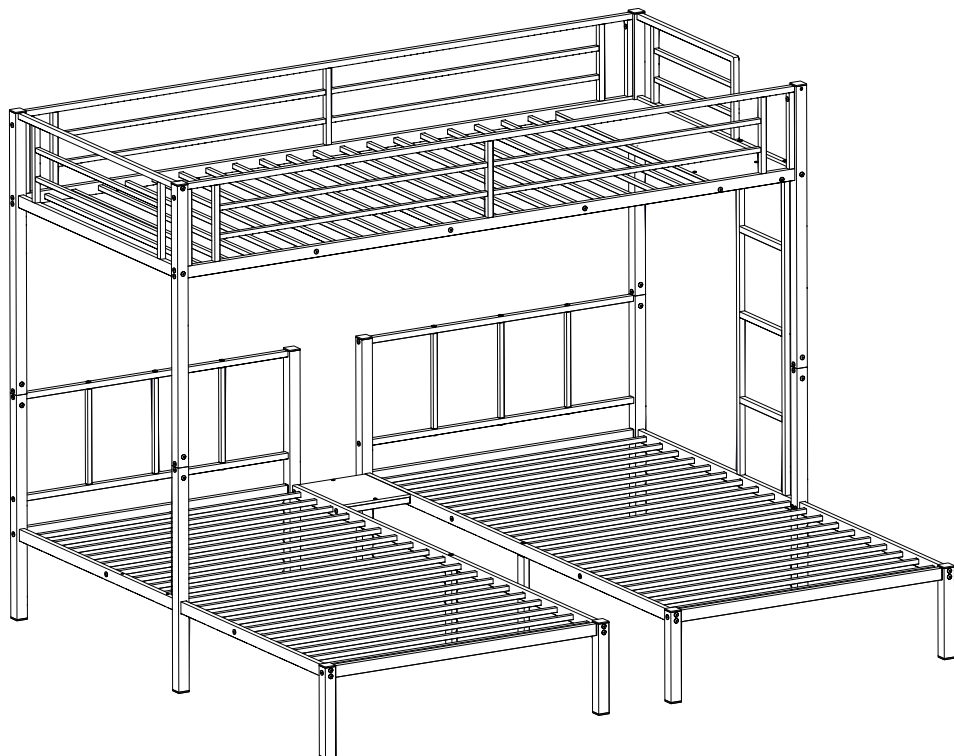


Assembly instructions

Product code: BW00418AAB



SAFETY WARNINGS AND GENERAL NOTES:

1. Follow the information on the warnings on the bunk bed end structure and on the carton. Do not remove the warning label from the bed.
2. Always use the recommended size mattress on mattress support, or both, to help prevent the likelihood of entrapment or falls.
3. Do not allow children under 6 years of age to use the upper bunk.
4. Periodically check and ensure the guardrail, ladder and other components are in their proper position, free from damage, and all connectors are tight.
5. Do not allow horseplay on or under beds.
6. Always prohibit jumping on the bed.
7. Prohibit more than one person on upper bunk.
8. Always use the ladder for entering and leaving the upper bunk.
9. Do not use substitute parts. Contact the manufacturer or dealer for replacement parts.
10. Use of a night-tight may provide added safety precaution for a child using the upper bunk.
11. Always use guardrails on both long sides of the upper bunk.
12. If the bunk bed will be placed next to a wall, the guardrail that runs the full length of the bed should be placed against the wall to prevent entrapment between the bed and the wall.
The use of water or sleep flotation mattresses is prohibited.
13. **STRANGULATION HAZARD**-Never attach or hang items to any part of the bunk bed that are not designed for use with the bed ; for example, but not limited to, hooks, belts and jump ropes.
14. Keep these instructions for future reference.
15. We recommend assembling your bunk bed on the shipping carton to protect your floor or carpet.
16. Be certain all staples are out of the box before beginning assembly on the shipping carton.
17. USE ONLY MATTRESSES WHICH ARE AS THE TABLE BELOW ON UPPER AND ON LOWER BUNKS.

Down bed

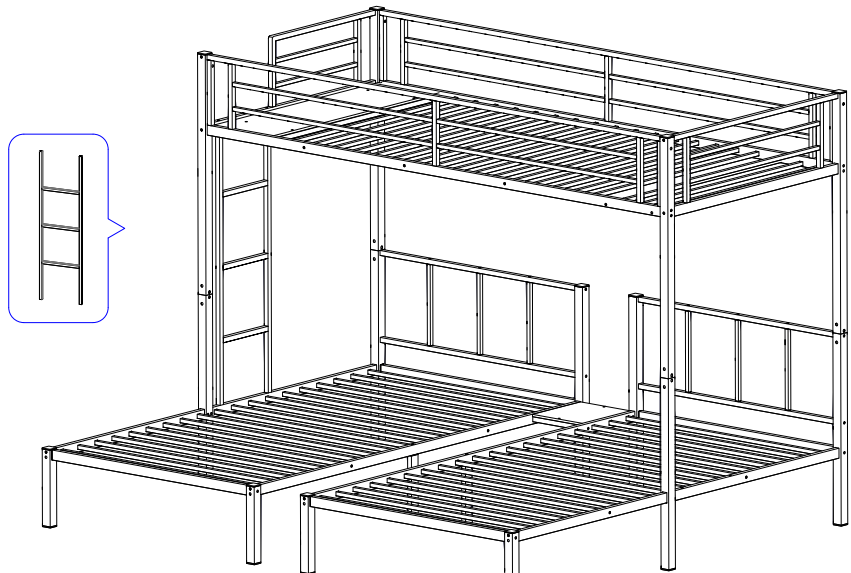
Bed type	Length	Width	Thickness
Twin Standard	74" - 75"	38 ½"	8" max

Up bed (bunk bed and tribed included)

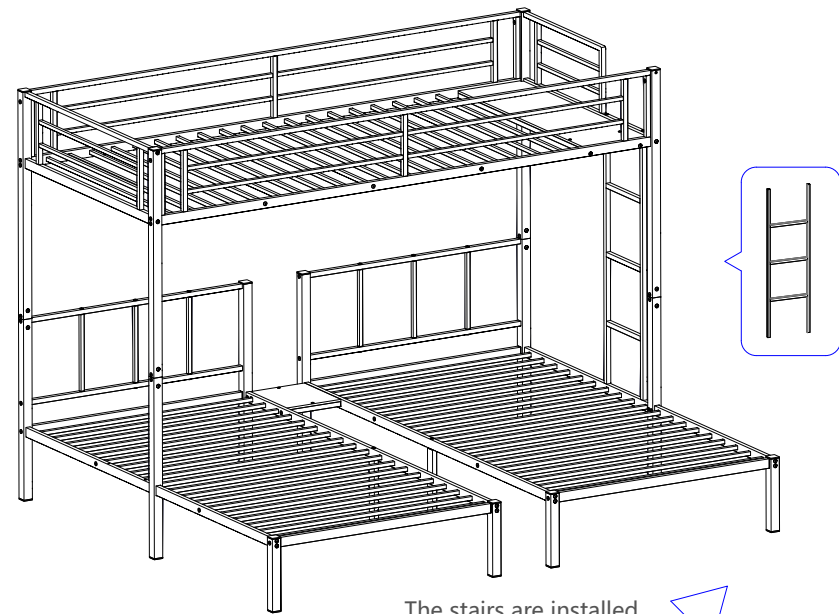
Bed type	Length	Width	Thickness
Twin XL Standard	79" -80"	38 ½"	6" max

(A storage board has been added, so you can put both the twin mattress and the twin xl mattress, and there is also an additional storage space.)

18. SURFACE OF MATTRESS MUST BE AT LEAST 5"(127MM) BELOW THE UPPER EDGE OF GUARDRAILS.
19. Replacement Parts:
Replacement Parts, including additional guardrails, may be obtained from any of our (Shenzhen Yuefeng Zhiqi Technology Co., Ltd) dealers.

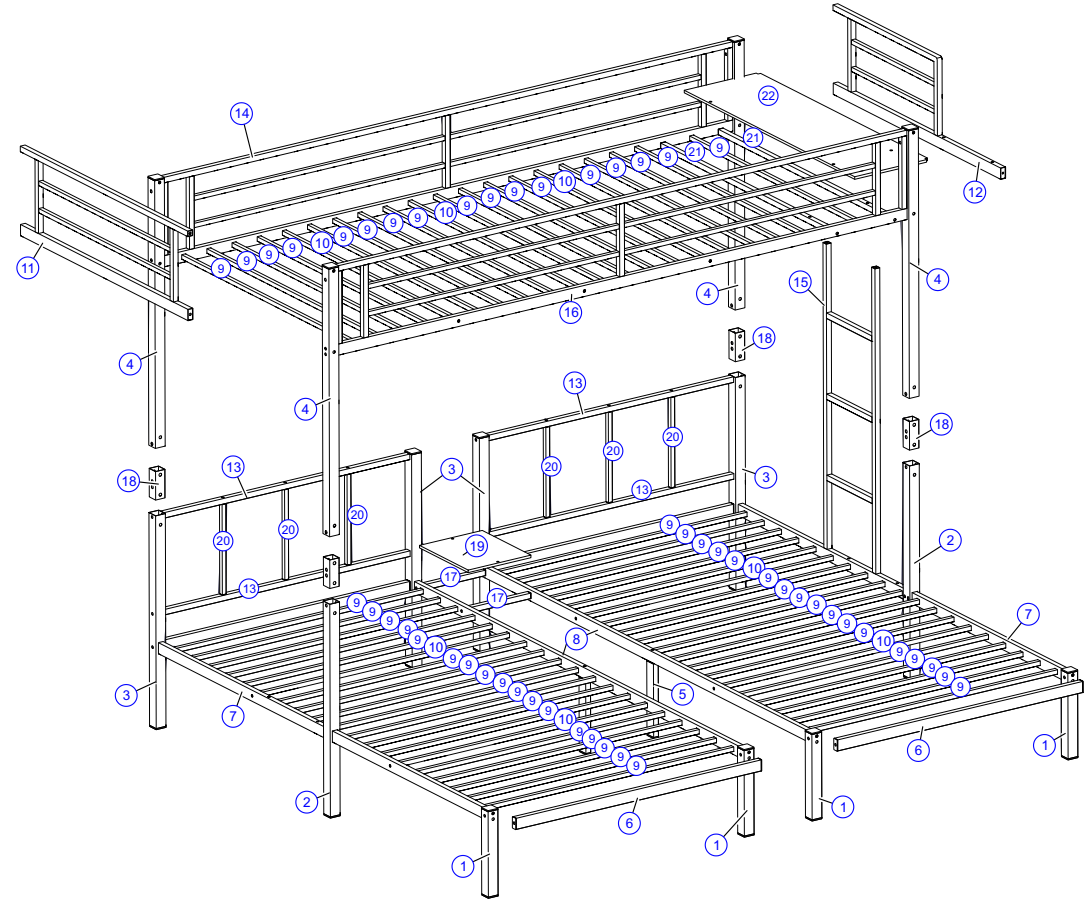


The stairs are installed in the left direction.









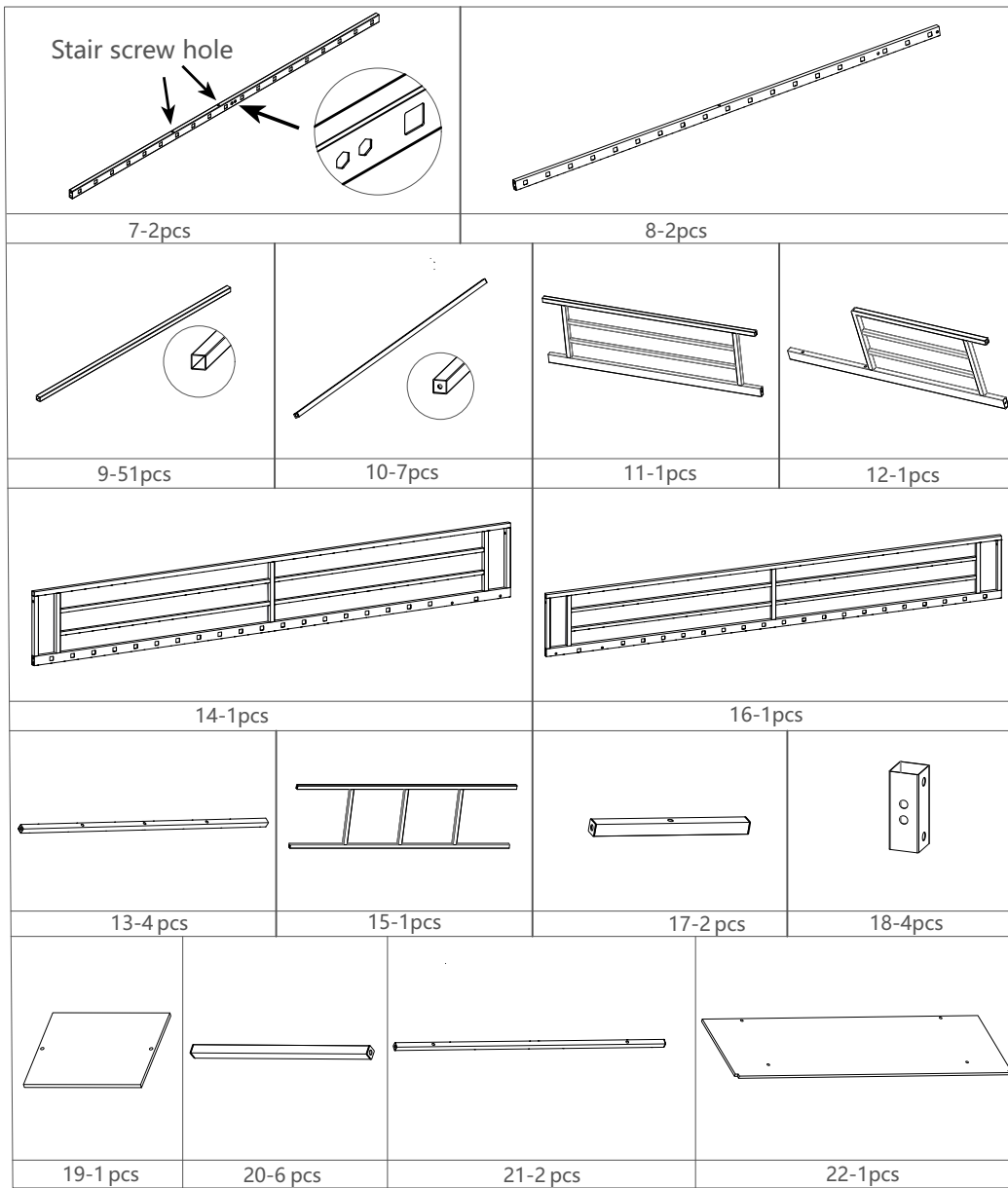
The stairs are installed in the right direction.

Component distribution preview



PARTLIST

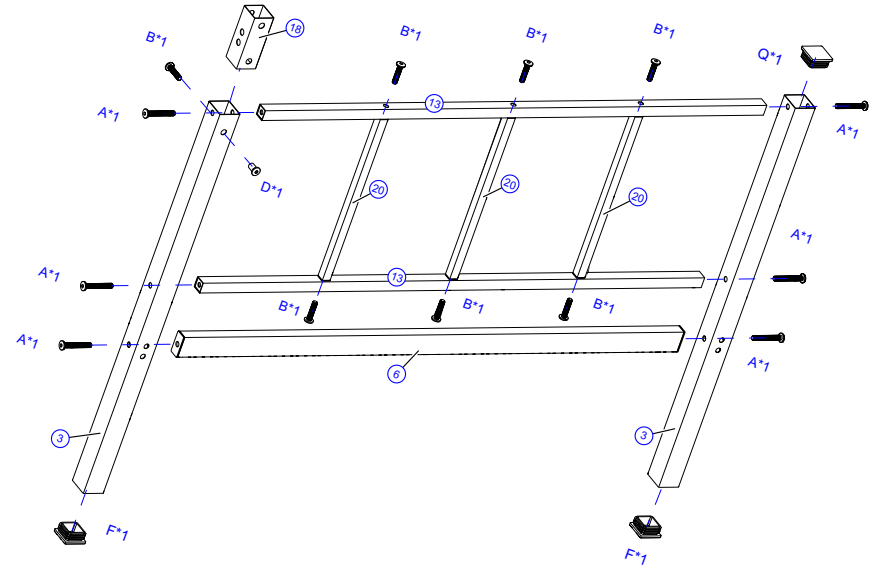
					
1-4pcs	2-2pcs	3-4pcs	4-4pcs	5-2pcs	6-4pcs



HARDWARE LIST

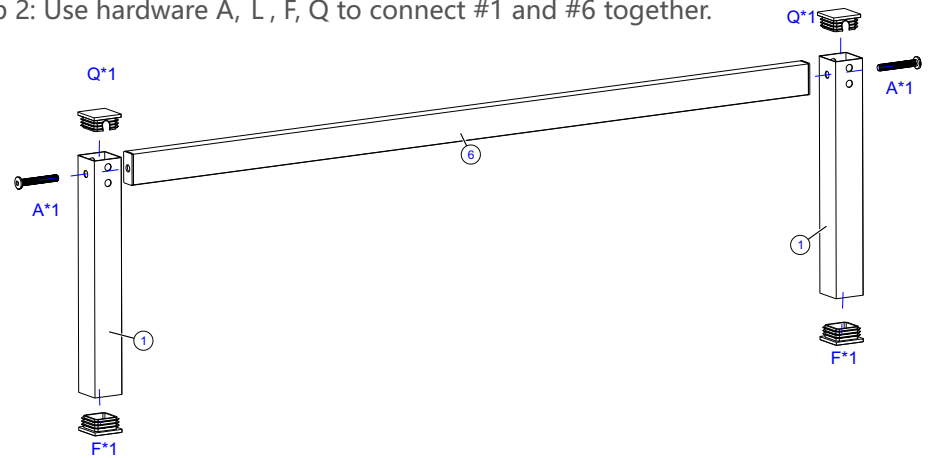
A	B	C	H	E	F	L	W
M8*55-57pcs	M8*35-34pcs	M8*30-14pcs	M6*25-6 pcs	M8*15-4pcs	40*40F-10pcs	M5-2pcs	M4-2pcs
		D	G	T	Q	k 2pcs	
		ΦM8*16-18pcs	ΦM6*10-6 pcs	20X40-2pcs	40*40FQ-10pcs		

Step 1: Use hardware A, B, D, F, Q to connect #3, #6, #13, #20 #18 together.



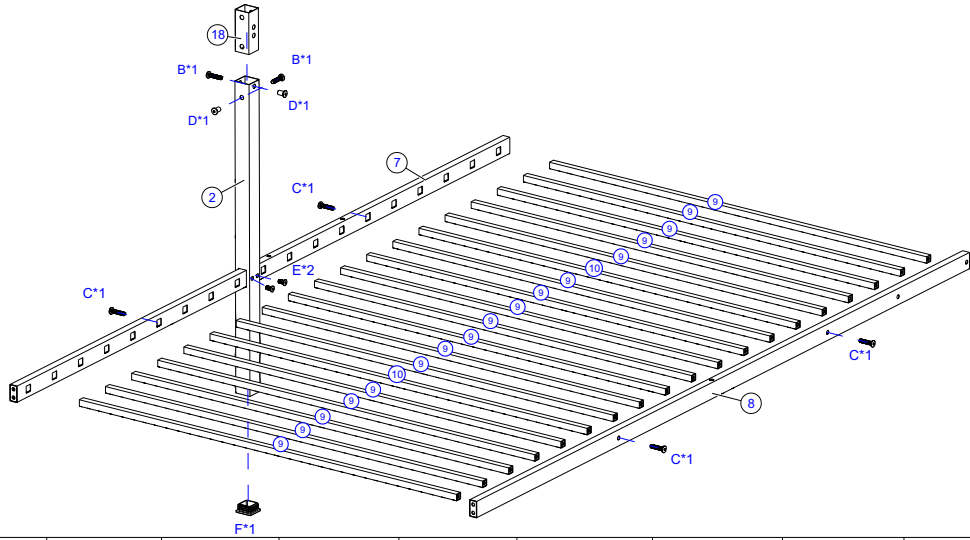
3-2pcs	6-1pcs	13-2pcs	Q-1pcs	A	B	D	18-1pcs
				M8*55-6pcs	M8*35-7pcs	ΦM8*16-1pcs	
		20-3pcs	F-2pcs				

Step 2: Use hardware A, L, F, Q to connect #1 and #6 together.



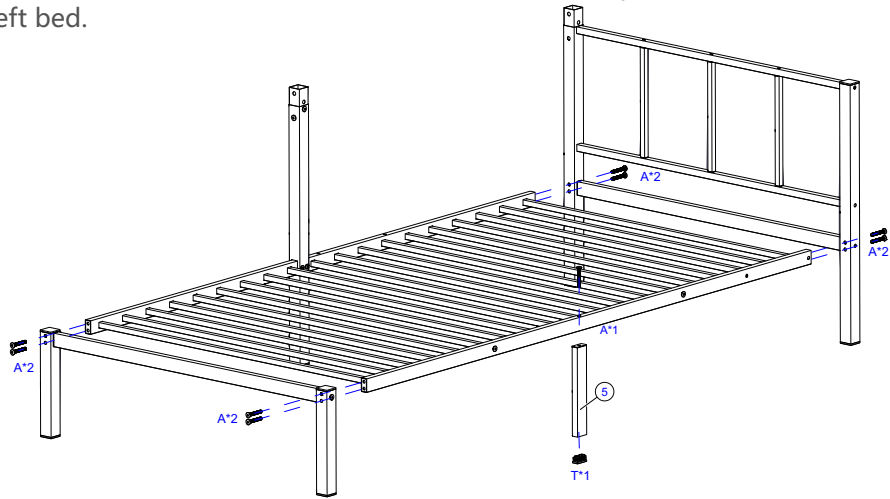
1-2pcs	6-1pcs	Q-2pcs	F-2pcs	A	L
				M8*55-2pcs	

Step 3: Use hardware F, C, B, D, G to connect #2, #7, #8, #9, #10, #18 together.



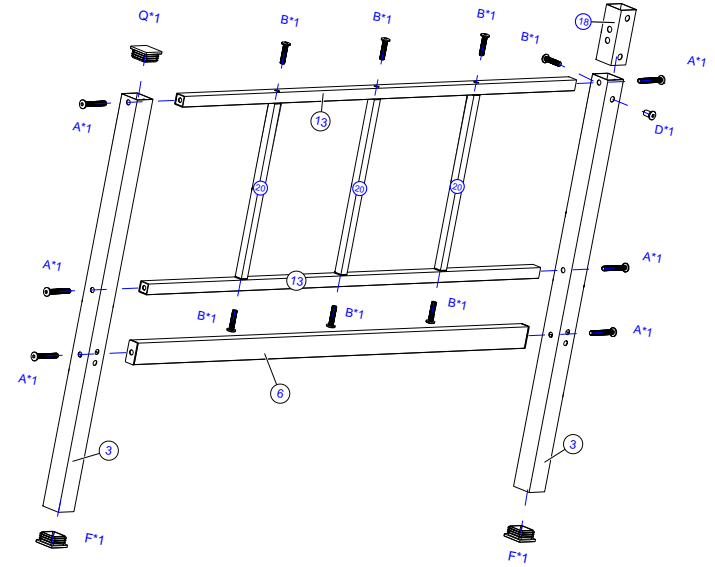
2-1pcs	7-1pcs	8-1pcs	9-17pcs	10-2pcs	F 1pcs	18-1pcs	B M8*35-2pcs	E M8*15-2pcs	
							C M8*30-4pcs	D ΦM8*16-2pcs	

Step 4: Use hardware A, T and L to combine the front components with #5 to get a left bed.



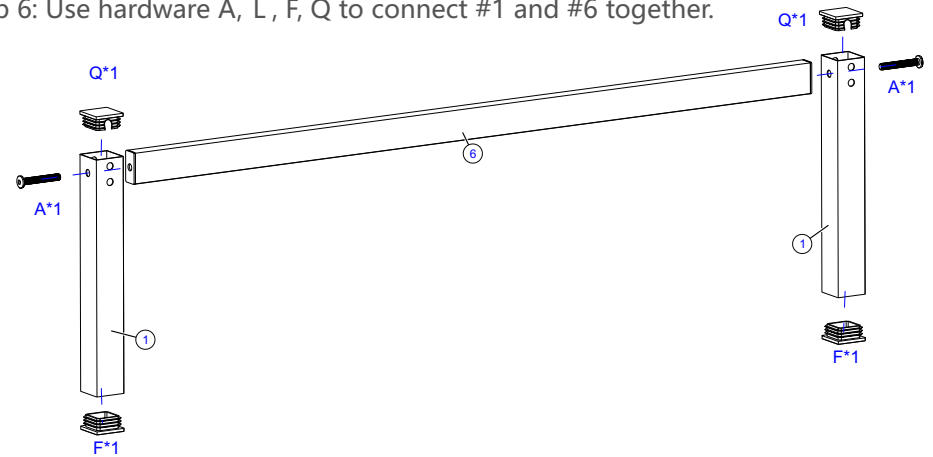
5-1pcs	A M8*55-9pcs	T 1pcs	L	

Step 5: Use hardware A, B, D, F, Q to connect #3, #6, #13, #20 #18 together.



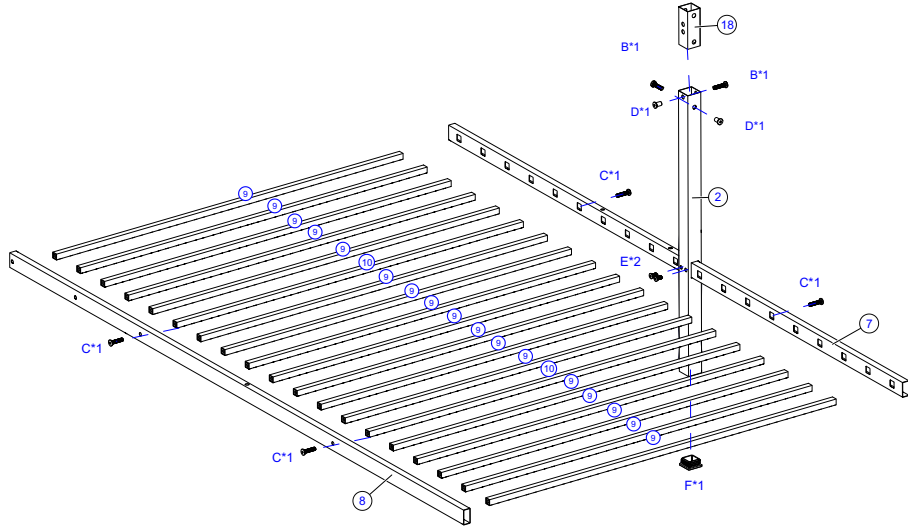
3-2pcs	6-1pcs	13-2pcs	20-3pcs	A M8*55-6pcs	B M8*35-7pcs	D ΦM8*16-1pcs	F-2pcs	Q-1pcs
								18-1pcs

Step 6: Use hardware A, L, F, Q to connect #1 and #6 together.



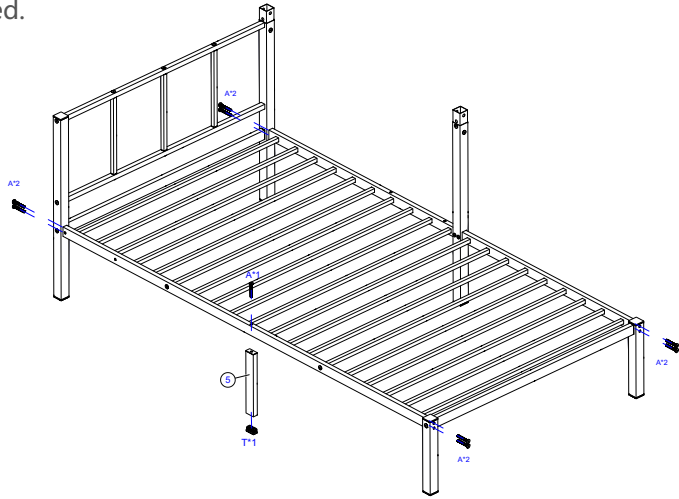
1-2pcs	6-1pcs	A M8*55-2pcs	L	F-2pcs	Q-2pcs

Step 7: Use hardware F, C, B, D, G to connect #2, #7, #8, #9, #10, #18 together.



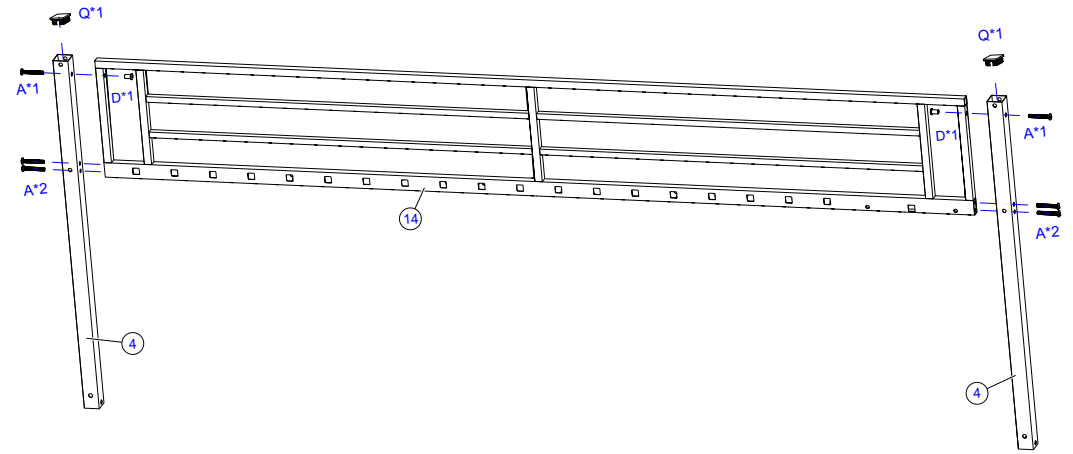
2-1pcs	7-1pcs	8-1pcs	9-17pcs	10-2pcs	F 1pcs	B M8*35-2pcs	C M8*30-4pcs	D ΦM8*16-2 pcs	E M8*15-2pcs

Step 8: Use hardware A, T and L to combine the front components with #5 to get a right bed.



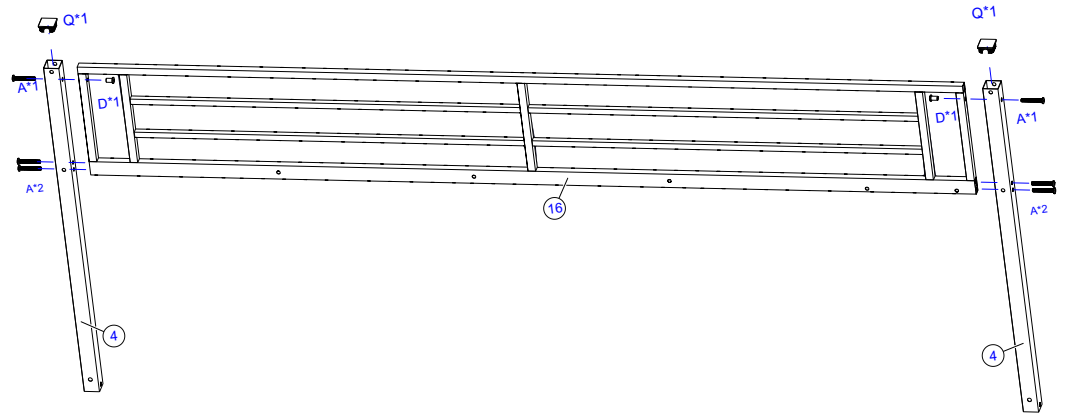
5-1pcs	A M8*55-9pcs	T 1pcs	L	

Step 9: Use hardware A, D, Q to connect #4 and #14 together.



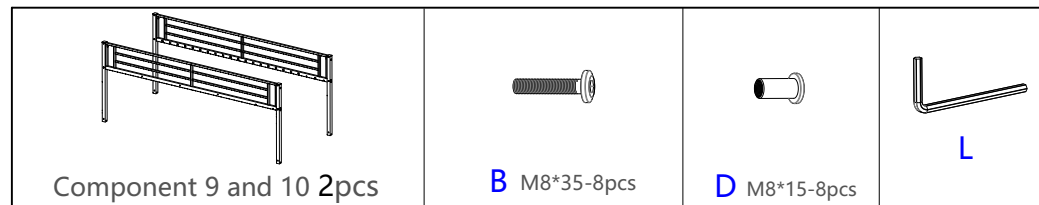
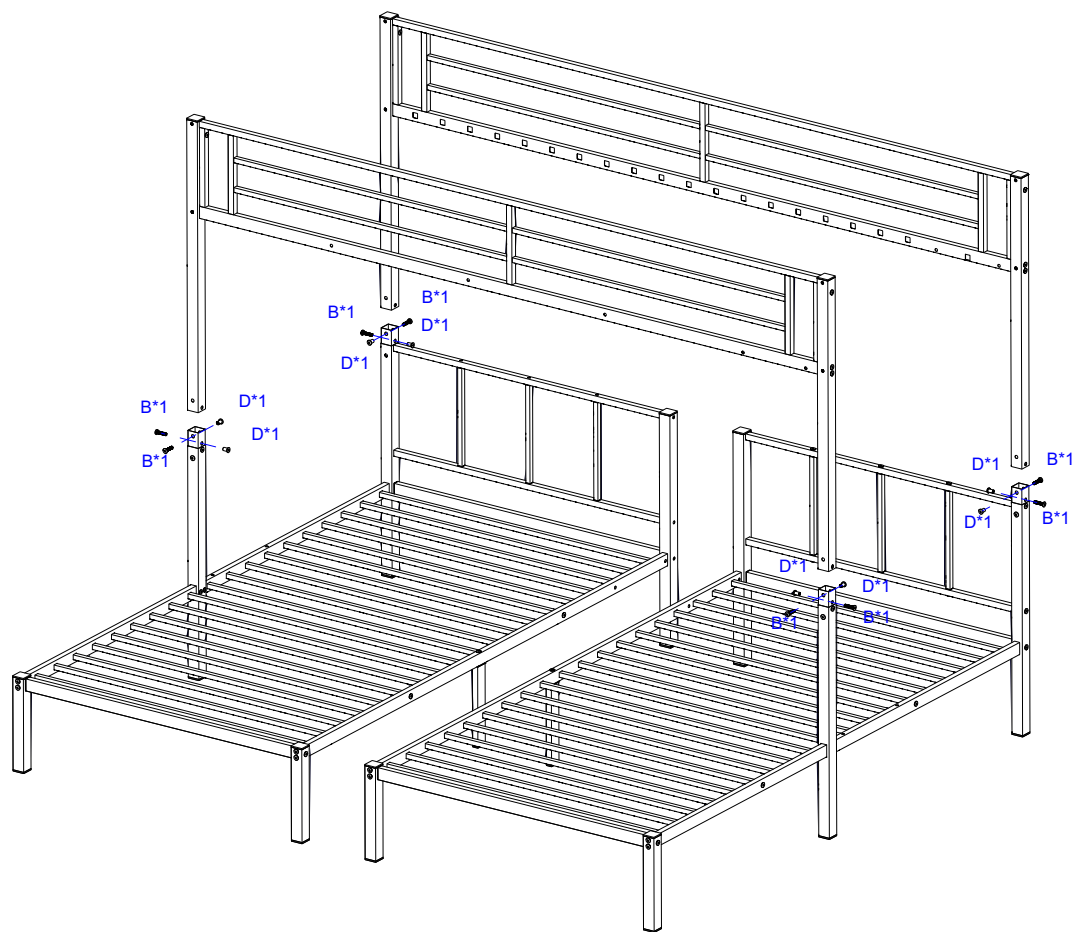
4-2pcs	14-1pcs	Q 2pcs	A M8*55-6pcs	D M8*15-2pcs

Step 10: Use hardware A, D, Q to connect #4 and #16 together.

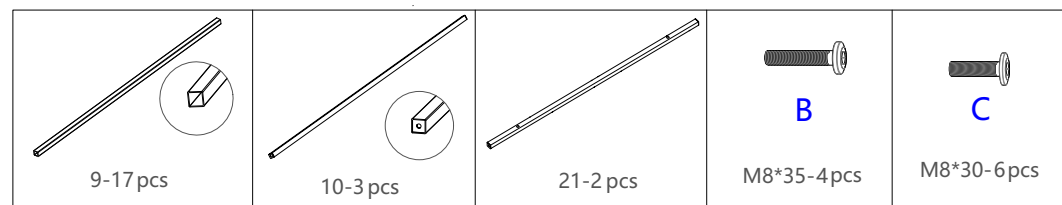
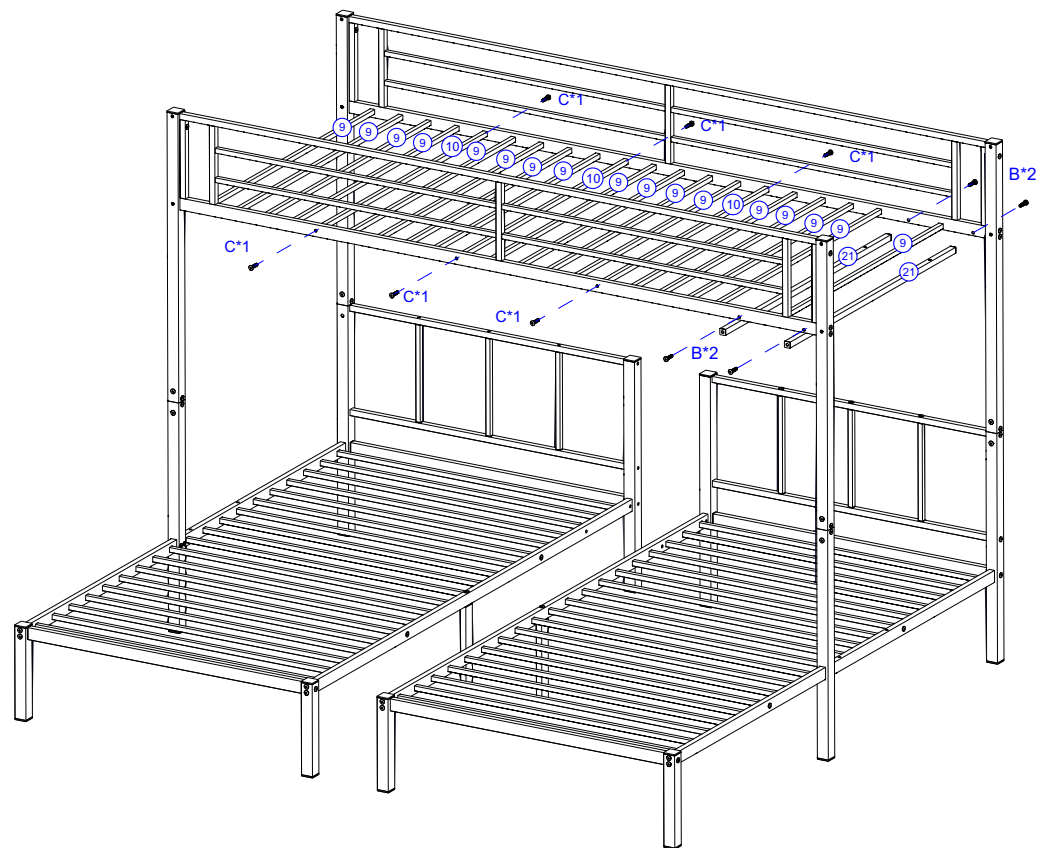


4-2pcs	16-1pcs	Q 2pcs	A M8*55-6pcs	D M8*15-2pcs

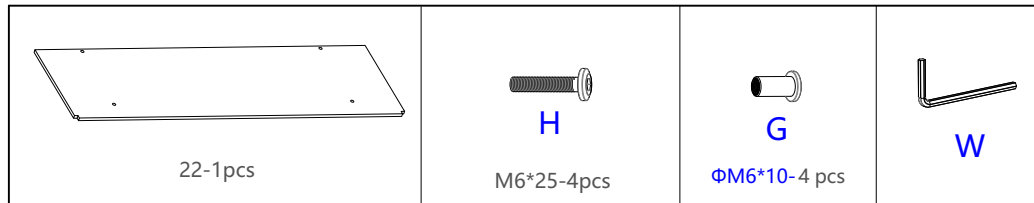
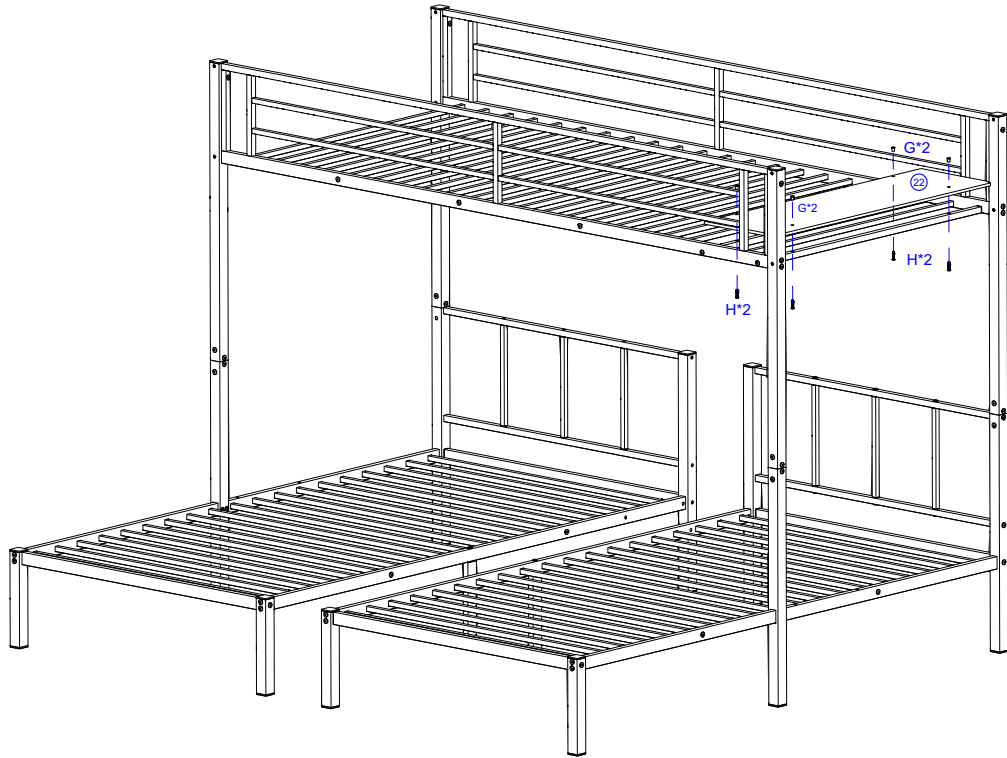
Step 11: Use B, D and L to connect the components of step 9 and 10 to the left and right beds together.



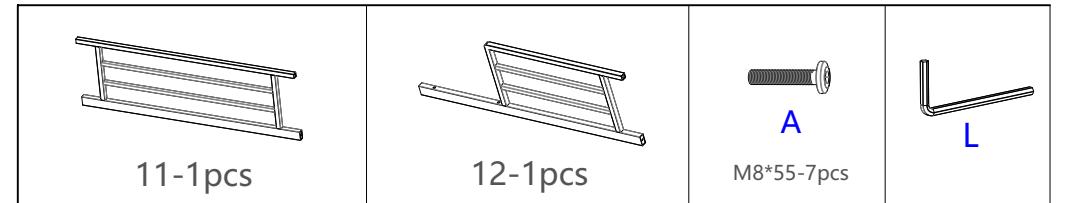
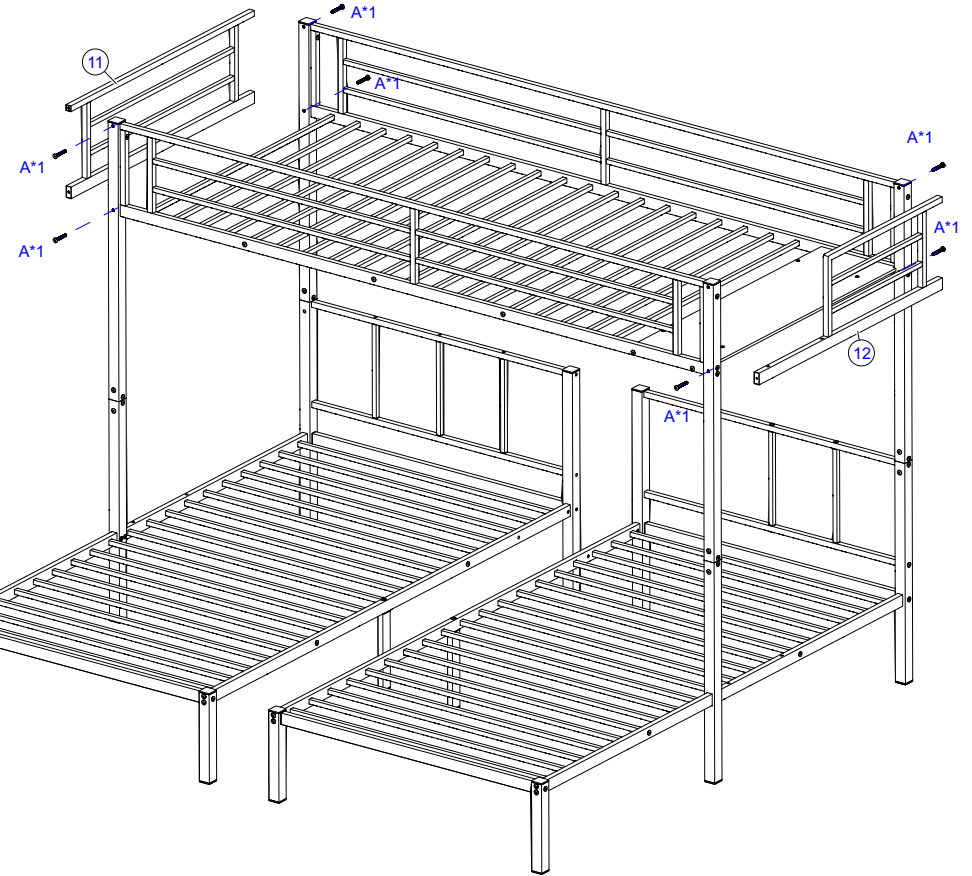
Step 12: Use #9 and #10 to insert the #14 holes in order, and #10 needs to correspond to the #14 side screw holes.



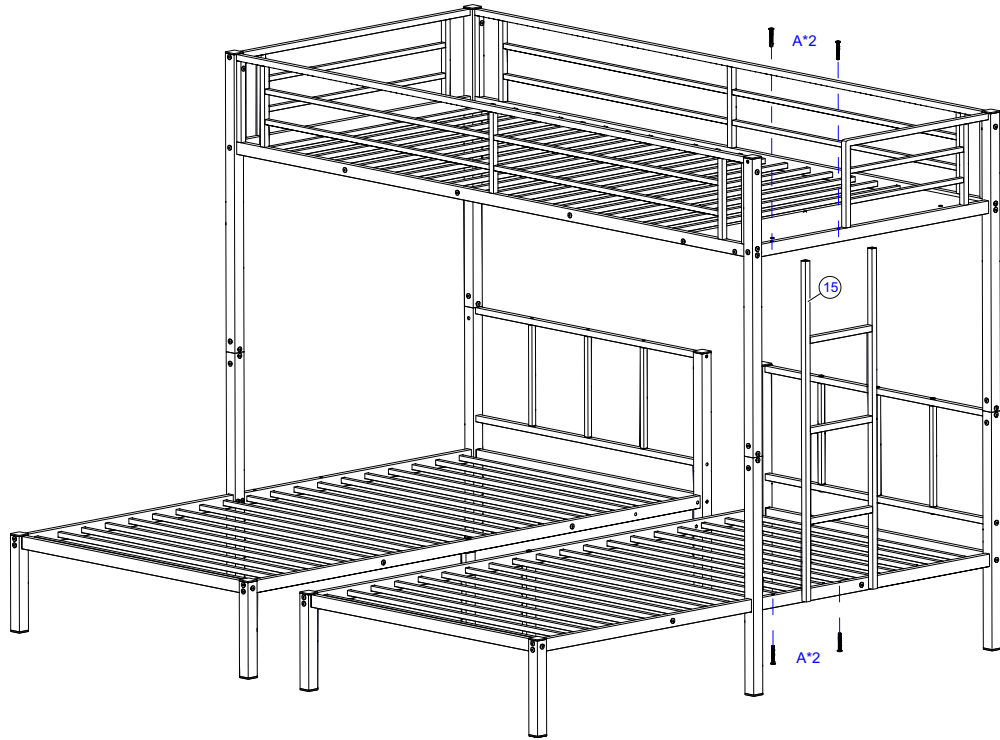
Step 13: Use hardware H, G, W to connect #22 together .

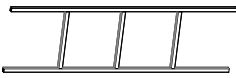




Step 14: Use hardware A, L to connect #11 and #12 together .

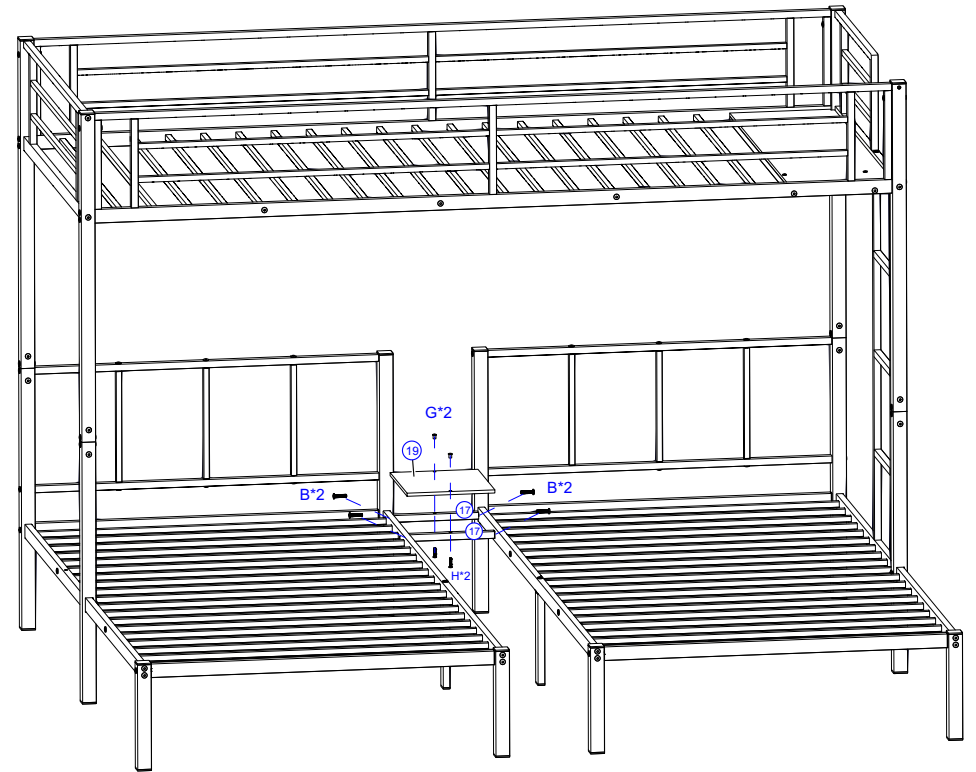


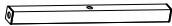




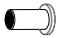

Step 15: Use hardware A, L to connect #15 together .



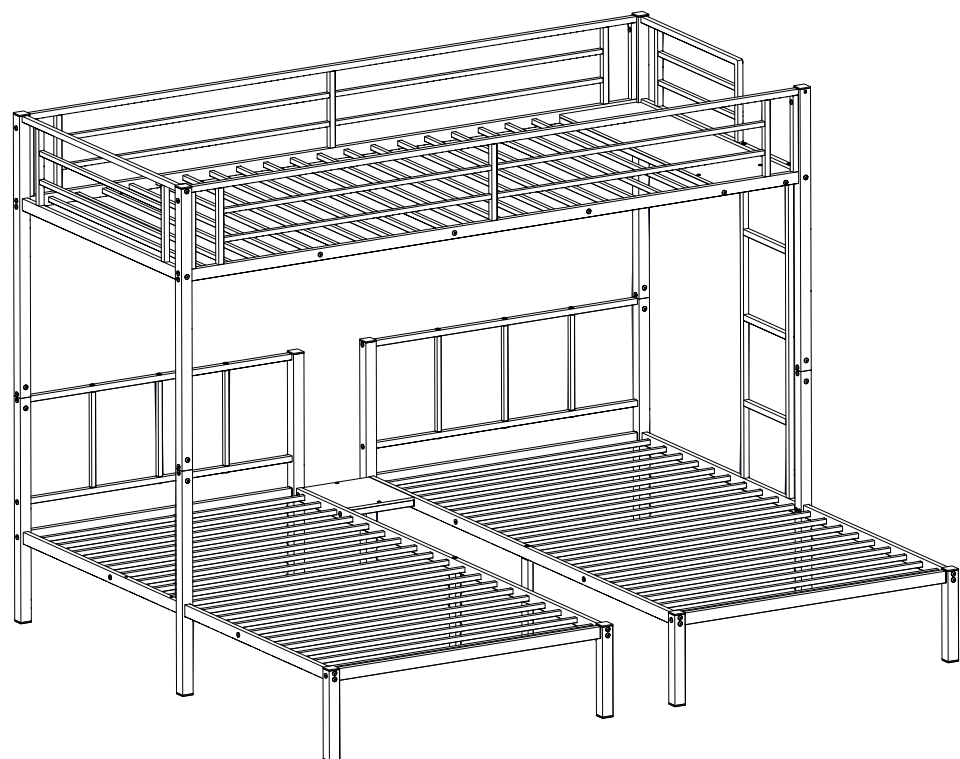
 <p>15-1pcs</p>	 <p>A M8*55-4 pcs</p>	 <p>L</p>
--	---	--

Step 16: Use hardware B, H, G, L, W to connect #17, #19 together .



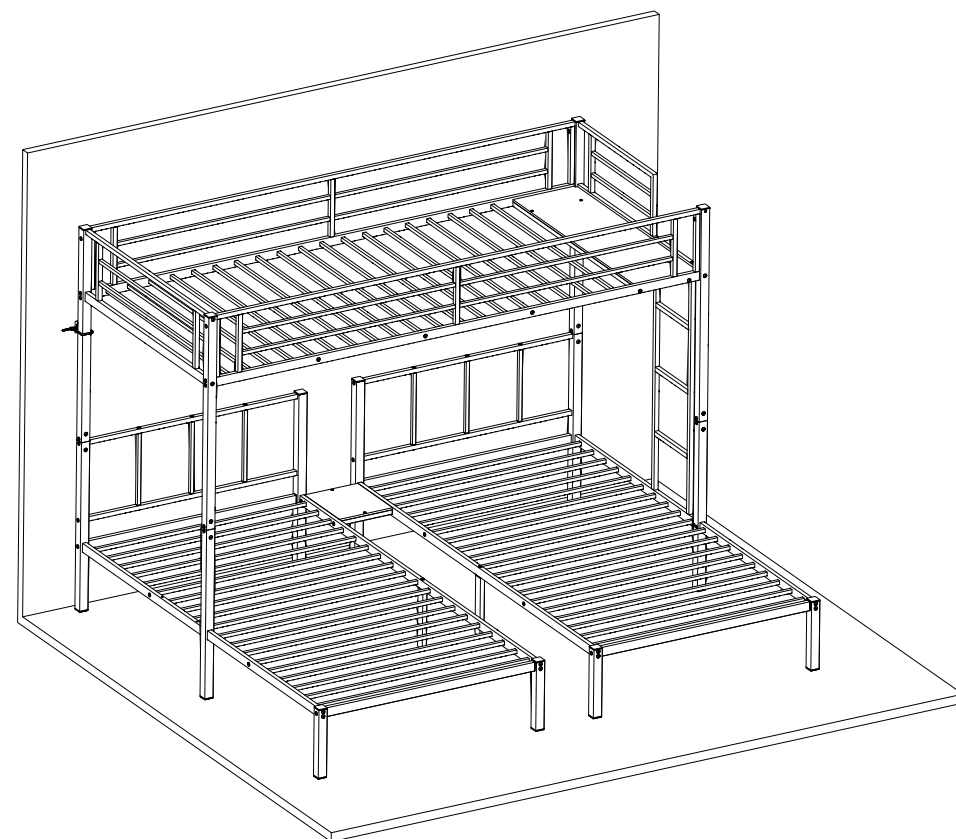
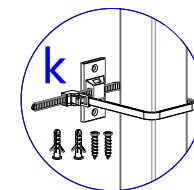
 <p>17-2 pcs</p>	 <p>19-1 pcs</p>	 <p>B M8*35-4 pcs</p>	 <p>H M6*25-2 pcs</p>	 <p>L</p>
			 <p>G ΦM6*10-2 pcs</p>	 <p>W</p>

Completed Bunk bed



Note: Tighten all the steps before use, thank you.

Fix the wall, prevent movement,
selective installation



Recyclable garbage