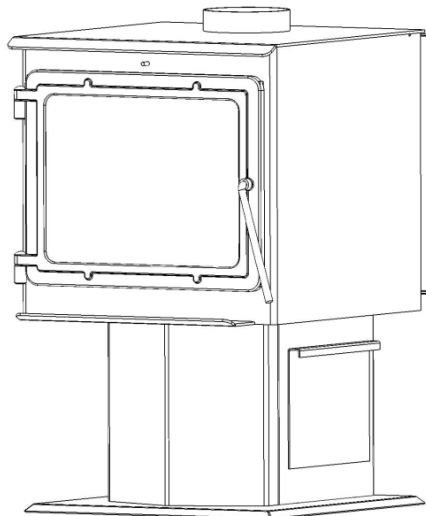


Smartstove™



THE MADISON

15-SSW01, 50-SHSSW01, 50-TRSSW01
INSTALLATION & OPERATION MANUAL



Manufactured By:
England's Stove Works, Inc.
PO Box 206
Monroe, VA 24574
www.heatredefined.com
(800) 245-6489

Rev. 2/2017



Intertek

CAUTION

Please read this entire manual before installation and use of this wood fuel-burning appliance. Keep children, furniture, fixtures and all combustibles away from any heating appliance.

SAVE THESE INSTRUCTIONS

SAFETY NOTICE

Failure to follow these instructions can result in property damage, bodily injury or even death. For your safety and protection, follow the installation instructions outlined in this manual. Contact your local building or fire officials about restrictions and installation inspection requirements (including permits) in your area.

IMPORTANT: IF YOU HAVE A PROBLEM WITH THIS UNIT, DO NOT RETURN IT TO THE DEALER. CONTACT TECHNICAL SUPPORT @ 1-800-245-6489

Mobile Home Use (Approved for USA only):

This freestanding wood unit is approved for mobile home or doublewide installation with the outside combustion air hook-up. See the "Installation" section of this manual for details pertaining to mobile home installations. Mobile home installation must be in accordance with the Manufactured Home and Safety Standard (HUD), CFR 3280, Part 24.

Retain for your files

Model Number _____

Date of Purchase _____

Date of Manufacture _____

Serial Number _____

* This information can be found on the safety tag attached to the rear of the unit. Have this information on hand if you phone the factory or your dealer regarding this product.

CAUTION

- Keep children away.
- Supervise children in the same room as this appliance.
- Alert children and adults to the hazards of high temperatures.
- Do NOT operate with protective barriers open or removed.
- Hot while in operation! Keep clothing, furniture, draperies and other combustibles away. Contact may cause skin burns!
- Installation MUST comply with local, regional, state and national codes and regulations.
- Consult local building, fire officials or authorities having jurisdiction about restrictions, installation inspection, and permits.

WELCOME!

Introduction

- Thank You! 4

Specifications

- Heating Specifications..... 5
- Dimensions..... 5
- EPA Compliance 5

Installation

- Installation Overview 6
- Clearances to Combustibles..... 7
- Venting Introduction..... 8
- Venting Guidelines..... 8
- Additional Venting Information ... 9
- Wall Pass-Throughs..... 10
- Approved Venting Methods
 - Through the Wall 11
 - Through the Ceiling..... 12
 - Masonry Chimney 13
 - Masonry Fireplace 14
- Mobile Home Installation 15
- Outside Air Hook-Up 15
- Floor Protection 16

Operation

- Break-In Fires 17
- Continuous Operation..... 17-18
- Safety Notes 19

Maintenance

- Stove Maintenance 20

- Inspecting Gaskets 21
- Finish 21

Replacing Components

- Glass 22
- Burner Tubes 23
- Ceramic Fiberboards..... 23
- Door Hinges 23
- Heat Shield & Back Panel 23
- Other Components..... 24

Optional Accessories

- AC-16/AC-30 Blower 24
- Side Heat Shield 24

Troubleshooting Guide

- Troubleshooting..... 25

Illustrated Parts Detail

- Parts List..... 26
- Exploded Parts Diagram..... 27
- Brick Layout 28

Warranty

- Sample Tag..... 29
- Warranty Details 30
- Important Notice 31
- Warranty registration Form 32

**EPA Addendum follows Warranty Section*

NOTE: CLEARANCES MAY ONLY BE REDUCED BY MEANS APPROVED BY THE REGULATORY AUTHORITY HAVING JURISDICTION

DO NOT CONNECT TO ANY AIR DISTRIBUTION DUCT OR SYSTEM.

DO NOT BURN GARBAGE OR FLAMMABLE FLUIDS SUCH AS GASOLINE, NAPHTHA OR ENGINE OIL.

DO NOT USE CHEMICALS OR FLUIDS TO START THE FIRE.

Thank you for purchasing this fine product from England's Stove Works!

England's Stove Works was started, and is still owned by, a family that believes strongly in a "Do It Yourself" spirit – that's one reason you found this product at your favorite "Do It Yourself" store.

We intentionally design and build our stoves so that any homeowner can maintain his or her unit with basic tools, and we're always more than happy to show you how to do the job as easily and as inexpensively as possible.

From our free, downloadable service sheets to our "wizard-style," click-through Troubleshooting guide on our web site, we have always tried to help our customers stay "heat-ready," especially when oil and electricity prices continue to skyrocket.

Please look at our vast Help section on our web site and call our Technical Support department at (800) 245-6489 if you need any help with your unit. We are nearly always able to help "walk you through" any repairs, problems or questions you may have.

PLEASE NOTE: While information obtained on our web site and through our 800 number is always free of charge, there will be a service charge incurred with any "on-site" repairs or maintenance that we may arrange.

Wishing you years of efficient, quality and "comfy" heating,
England's Stove Works
Technical Support Department

www.HeatRedefined.com

(800) 245-6489

CAUTION: Stove is heavy.

In addition, when handling any sheet metal products, be aware that there may be sharp edges or burrs. Although we make every effort to eliminate any sharp edges, please use caution when handling any metal parts. Remember to disconnect (unplug) the stove from the power source and allow it to completely cool down before performing any maintenance.

This manual is available for free download on the manufacturer's web site. It is a copyrighted document and resale is strictly prohibited. The manufacturer may update this manual occasionally and cannot be responsible for problems including injuries or damages resulting from the use of information found in any manual from unauthorized sources.

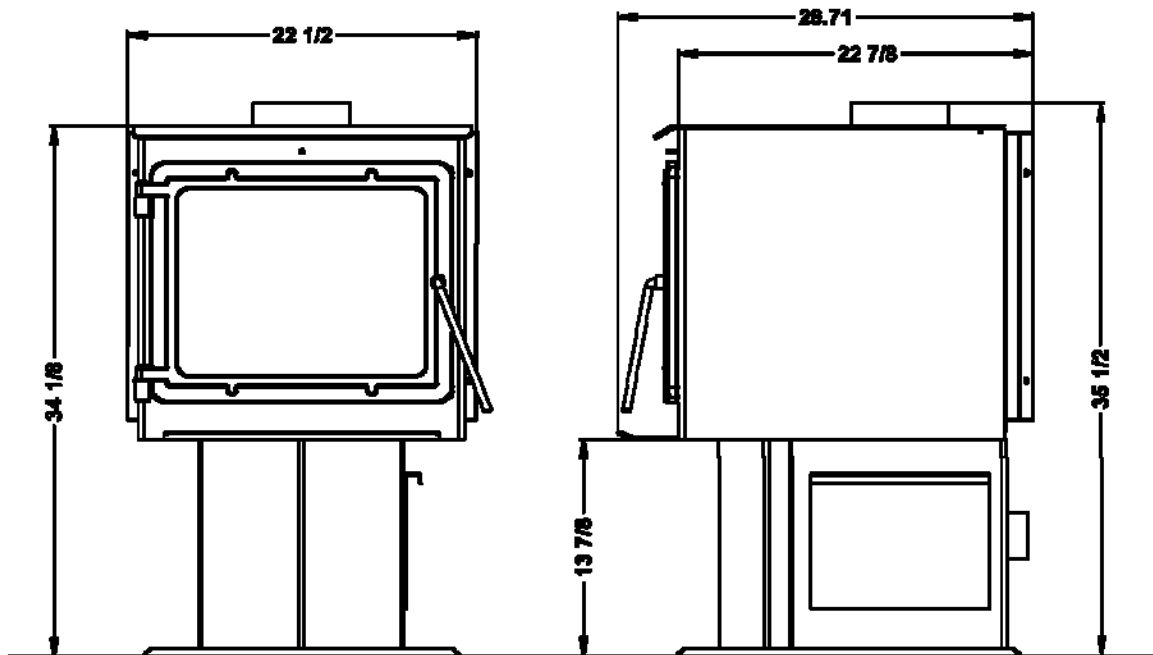
PLEASE NOTE: If you purchased this model from certain stores, their model number may end in "L" "LC" "H" "CT", etc. This manual does apply to those models as well.

SPECIFICATIONS

Heating Specifications

- Maximum Burn Time** 6-8 hours
- Approximate Square Footage Heated*** 2000 sq. ft.
- Firebox Capacity 35 pounds
- Flue Collar 6.0 in. round

Dimensions (Inches)



EPA and Safety Compliance Specifications

- EPA Compliance Certified
- Particulate Emissions 2.49 grams/hr
- Efficiency* 72% HHV (78% LHV)
- Tested To UL-1482, ULC-S627-00

** - Maximum burn times are heavily dependent on the type of wood burned in the stove; as such, these numbers may vary.

*** - The maximum heating capacity of this unit can vary greatly based on climate, construction style, insulation and a myriad of other factors. Use this information in conjunction with a BTU loss calculation for your home to determine if this unit will be sufficient for your needs.

INSTALLATION

Installation Overview

When choosing a location for your new stove, there are a multitude of factors that should be taken into account before beginning the installation.

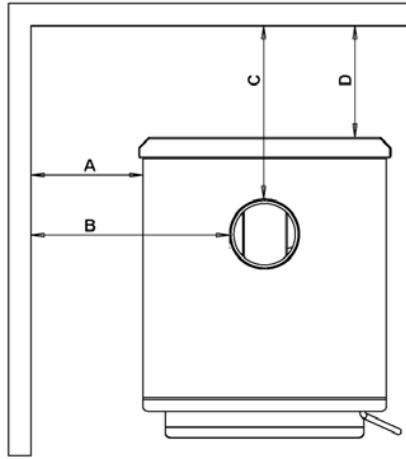
1. Traffic Patterns – To help prevent accidents, the stove should be placed in a location where it is out of the way of normal travel through the home.
2. Heat Flow – When deciding on a location for the stove, consider the way heat moves throughout your home. Install the stove where you need the heat; basement installations often do not allow sufficient heat to flow to the upper floors and a top floor installation will not allow any heat to reach the floors below. Always consider that heat rises and will take the path of least resistance while it is still hot.
3. Exhaust Location – The engine which drives a wood stove is the chimney system, so it is important to consider precisely how the chimney system will be integrated into the stove installation. Ideally, a wood stove chimney will run completely vertical from the flue collar of the unit all the way to the termination point above the roof line. Keeping the entire chimney system inside the heated envelope of the home will ensure a strong, easy to initiate draft in the chimney. Although exterior chimney systems often function properly, they are more likely to suffer from cold down drafts at start up or provide weak draft to the unit. Also, consider the cross-sectional area of the chimney; although existing masonry chimneys can often be used, a large external masonry chimney will result in a unit that is difficult or impossible to operate properly. In that case, an insulated chimney liner will often be required to supply the necessary draft.
4. Wall Construction – Locating the stove so that the exhaust system can pass between studs will simplify the installation and eliminate the need to reframe any sections of the wall or ceiling to accommodate the wall thimble or ceiling box.

WARNING

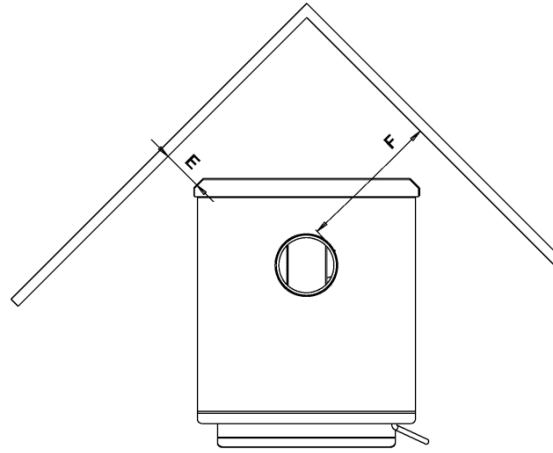
- Do not store or use gasoline or other flammable vapors and liquids in the vicinity of this or any other appliance.
- Do Not Over-fire – If any external part starts to glow, you are over-firing. Reduce intake air supply. Over-firing will void your warranty.
- Comply with all minimum clearances to combustibles as specified. Failure to comply may result in a house fire.
- Tested and approved for **cordwood only**. Burning any other fuel will void your warranty.

INSTALLATION

Clearances to Combustibles



*Parallel
Wall Installation*



Corner Installation

WARNING - INSTALL VENT AT CLEARANCES SPECIFIED BY THE VENT MANUFACTURER

	Unit to Side Wall *	Chimney Connector to Side Wall	Chimney Connector to Rear Wall	Unit to Rear Wall	Unit to Corner	Chimney Connector to Corner
	A	B	C	D	E	F
	in. (mm.)	in. (mm.)	in. (mm.)	in. (mm.)	in. (mm.)	in. (mm.)
Single Wall Chimney Connector Unprotected Surface	21.5 (546.1)	29 (736.6)	12 (304.8)	7.5 (190.5)	9.5 (241.3)	19 (482.6)
Double Wall Chimney Connector Unprotected Surface	N/A	N/A	N/A	N/A	N/A	N/A
Single Wall Chimney Connector Unprotected Surface with side shields.	17.5 (445.5)	25 (635)	12 (304.8)	7.5 (190.5)	5.5 (139.7)	15 (381)
Double Wall Chimney Connector Unprotected Surface with side shields.	N/A	N/A	N/A	N/A	N/A	N/A

INSTALLATION

Venting Introduction

This wood stove operates on a natural draft system, in which the chimney system pulls air through the stove. This unit must be installed in accordance with the following detailed descriptions of venting techniques; not installing the stove in accordance with the details listed here can result in poor stove performance, property damage, bodily injury or death. Avoid make-shift compromises when installing the venting system. England's Stove Works is not responsible for any damage incurred due to a poor or unsafe installation.

Be certain that all aspects of the venting system are installed to the venting manufacturer's instructions, particularly the required clearances to combustibles. Also, be certain to use an attic radiation shield to prevent insulation from contacting a chimney which passes through an attic.

The chimney system is the "engine" which drives a wood stove, so it is imperative for proper unit function that the venting system be installed exactly as described in the following section.

If questions arise pertaining to the safe installation of the stove, our Technical Support line (800-245-6489) is available. Contact your local code official to be certain your installation meets local and national fire codes, and if you're uncertain about how to safely install the stove, we strongly recommend contacting a local NFI certified installer to perform the installation.

Venting Guidelines

- **ALWAYS** install vent pipe in strict adherence to the instructions and clearances included with your venting system.
- **DO NOT** connect this wood stove to a chimney flue which also serves another appliance.
- **DO NOT** install a flue pipe damper or any other restrictive device in the exhaust venting system of this unit.
- **USE** an approved wall thimble when passing through a wall and a ceiling support/fire stop when passing through a ceiling.
- **INSTALL** three sheet metal screws at every chimney connector joint.
- **AVOID** excessive horizontal runs and elbows, as both will reduce the draft of the venting system and will result in poor stove performance.
- **INSPECT** your venting system often, to be certain it is clear of creosote, fly-ash and other restrictions.
- **CLEAN** the venting system as detailed in the maintenance section of this manual.
- **ADHERE** to the 10-3-2 rule regarding chimney terminations.
- **INSTALL** single wall chimney connector with the male end **down** to prevent creosote leakage. Follow double wall chimney connector manufacturer's instructions regarding proper pipe installation.

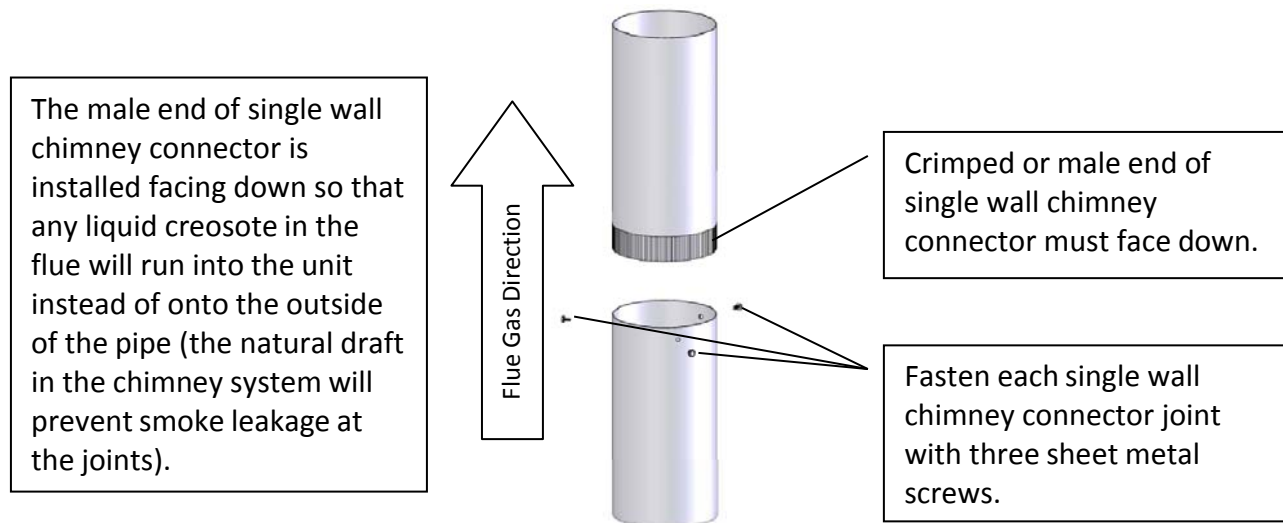
WARNING: Venting system surfaces get HOT, and can cause burns if touched. Noncombustible shielding or guards may be required.

INSTALLATION

Additional Venting Information

- Do not mix and match components from different pipe manufacturers when assembling your venting system (i.e. Do **NOT** use venting pipe from one manufacturer and a thimble from another).
- We **require** a minimum chimney height of 15.0 ft. Chimney systems shorter than this may not create the amount of draft which is required to operate this wood burning unit.
- Do not use makeshift compromises when installing the venting system; have existing chimney systems inspected before use and be certain all new chimney systems are installed to the manufacturer's specifications and with only UL listed components (ULC if Canada).
- Prefabricated venting systems used for this stove must be listed to ULC S629 (Canada) and UL 103HT (US).
- Never install a draft inducer or any other system which increases the natural draft of the chimney; similarly, do not install a barometric or stovepipe damper with this unit.
- Never use single wall or double chimney connector as a chimney system; never pass either type of chimney connector through a combustible wall without carefully following the manufacturer's instructions and those listed in the following page on Wall Pass-Throughs. NEVER pass chimney connector through an attic, floor, closet or roof.
- Only use 24 gauge MSG black single wall chimney connector or UL Listed (ULC if Canada) double wall chimney connector.

Single Wall Chimney Connector Installation



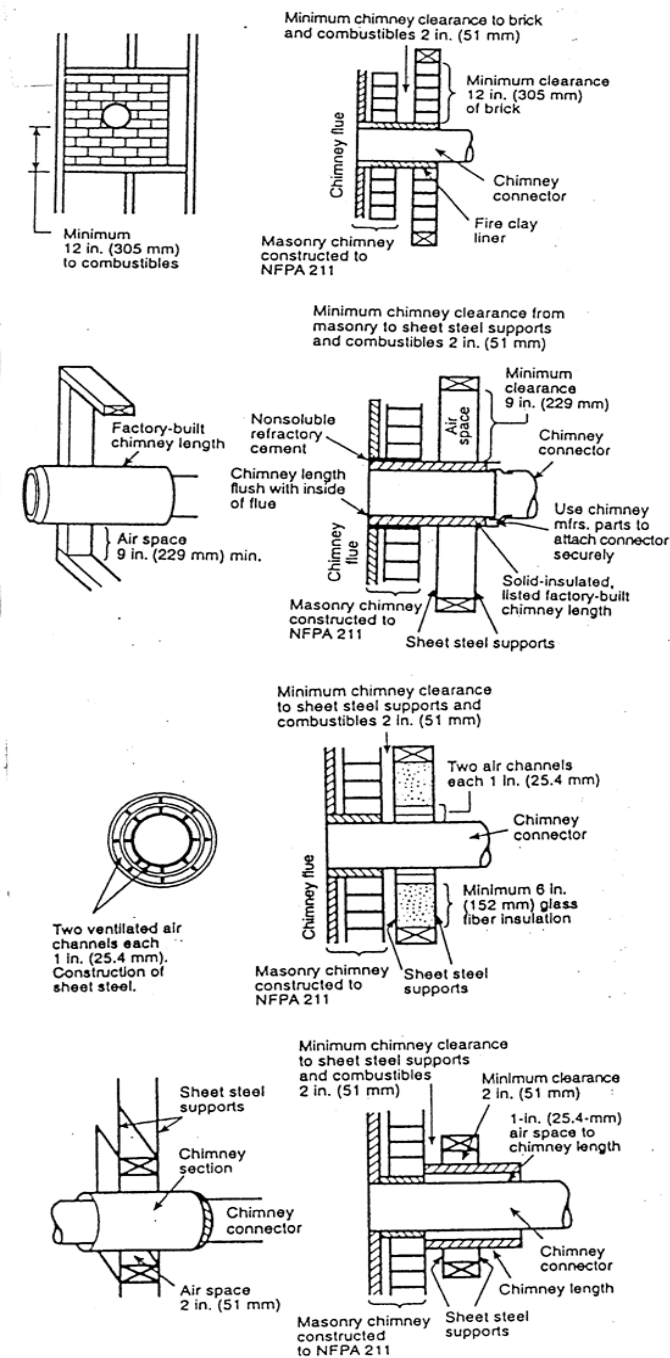
WARNING

- **INSTALL VENT AT CLEARANCES SPECIFIED BY THE VENT MANUFACTURER.**
- **HOT! Do not touch! Severe burns or clothing ignition may result.**
- **Glass and other surfaces are hot during operation.**

INSTALLATION

Wall Pass-Throughs

Chimney Connector Systems and Clearances from Combustible Walls for Residential Heating Appliances



A Minimum 3.5-in thick brick masonry all framed into combustible wall with a minimum of 12-in brick separation from clay liner to combustibles. The fireclay liner shall run from outer surface of brick wall to, but not beyond, the inner surface of chimney flue liner and shall be firmly cemented in place.

B Solid-insulated, listed factory-built chimney length of the same inside diameter as the chimney connector and having 1-in. or more of insulation with a minimum 9-in. air space between the outer wall of the chimney length and combustibles.

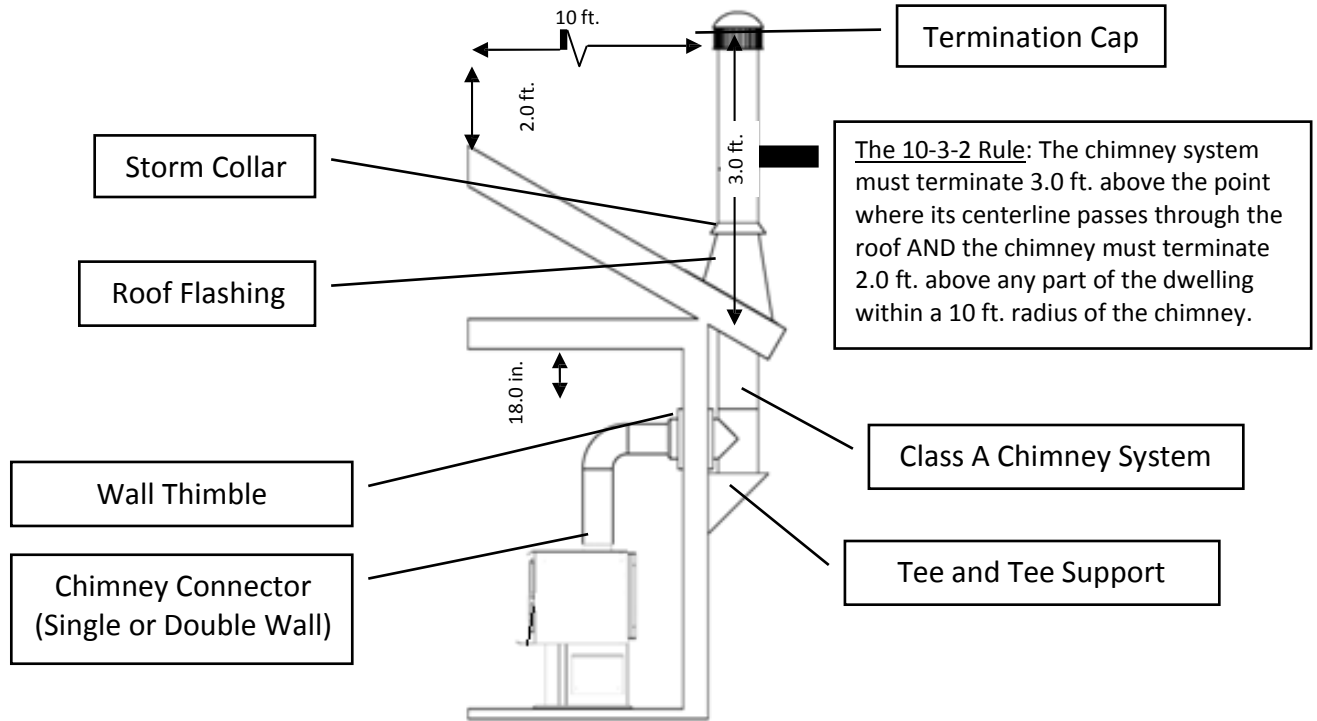
C Sheet steel chimney connector, minimum 24 gauge in thickness, with a ventilated thimble, minimum 24 gauge in thickness, having two 1-in. air channels, separated from combustibles by a minimum of 6-in. of glass fiber insulation. Opening shall be covered, and thimble supported with a sheet steel support, minimum 24 gauge in thickness.

D Solid insulated, listed factory-built chimney length with an inside diameter 2-in. larger than the chimney connector and having 1-in. or more of insulation, serving as a pass-through for a single wall sheet steel chimney connector of minimum 24 gauge thickness, with a minimum 2-in. air space between the outer wall of chimney section and combustibles. Minimum length of chimney section shall be 12-in. chimney section spaced 1-in. away from connector using sheet steel support plates on both ends of chimney section. Opening shall be covered, and chimney section supported on both sides with sheet steel supports securely fastened to wall surfaces of minimum 24 gauge thickness. Fasteners used to secure chimney section shall not penetrate chimney flue liner.

In Canada, the installation must conform to CAN/CSA-8365 when passing through combustible construction.

INSTALLATION

Approved Venting Method 1: Through the Wall Factory Built Chimney

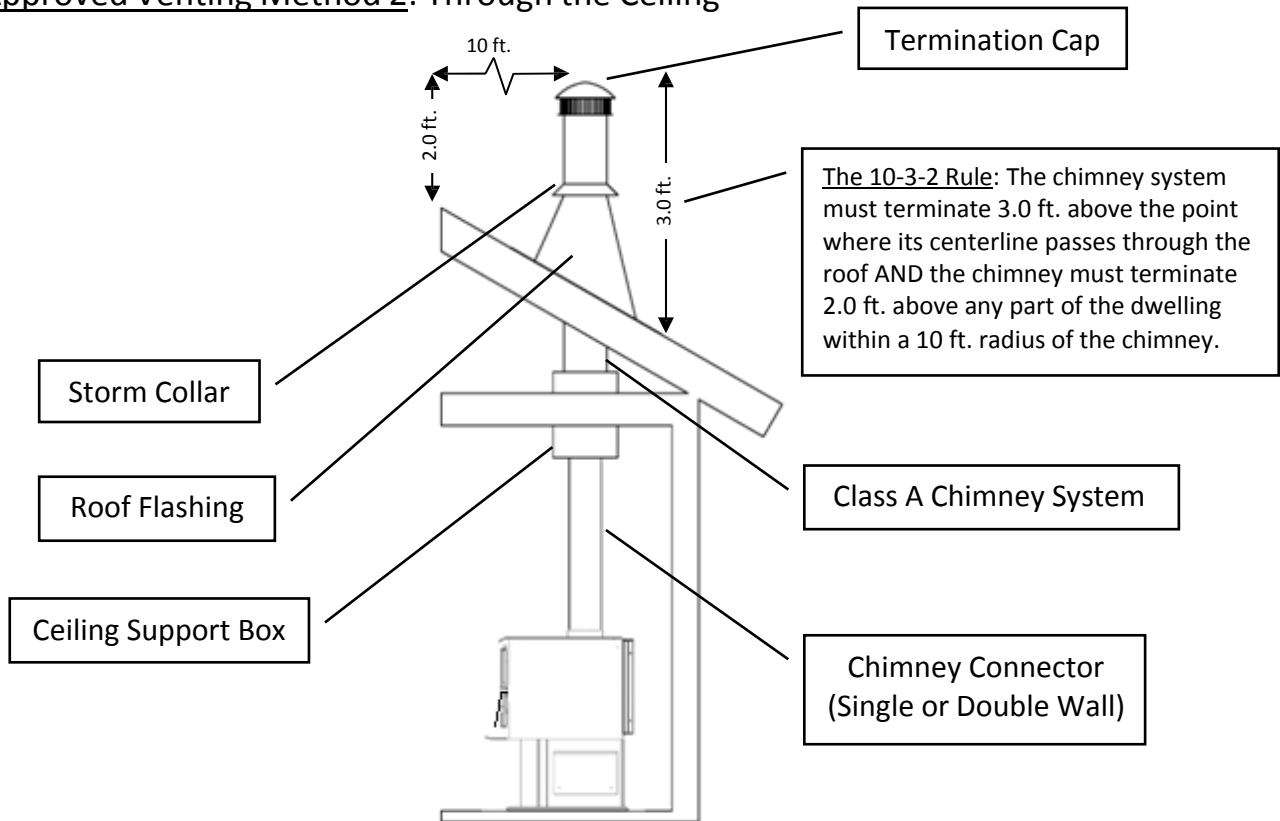


- Prefabricated chimney systems must conform to UL-103HT (2100 °F) for the U.S. and ULC-S629 (650°C) for Canada.
- This wood burning unit is only listed for installation with 6.0" diameter chimney connector and chimney systems. Installing this unit on prefabricated chimneys larger than 6.0" diameter will result in decreased draft and the potential for poor unit performance.
- Follow all venting system manufacturer's installation requirements and required clearances.
- Use three sheet metal screws at each single wall chimney connector joint (check manufacturer's recommendations when double wall chimney connector is used).
- Drill three holes in the flue collar of the unit and attach the chimney connector to the unit using sheet metal screws (holes should be pre-drilled in flue collar from factory).
- Properly attach the prefabricated chimney system to the home in strict accordance with the prefabricated chimney system manufacturer's instructions.
- Avoid numerous elbows and excessive horizontal runs as both will lead to poor draft and increased creosote accumulation. Horizontal runs of chimney connector must never exceed 4.0 ft. and the overall length of the chimney connector must not exceed 8.0 ft.
- Special adapters and slip connectors are available to eliminate the need to cut single wall chimney connector. Double wall chimney connector must be used with these slip connectors, as it cannot be trimmed to length.

Please Note: Installation diagrams are for reference purposes only and are not drawn to scale, nor meant to be used as plans for each individual installation. Please follow all venting system requirements, maintain the required clearances to combustibles, and follow all local codes.

INSTALLATION

Approved Venting Method 2: Through the Ceiling

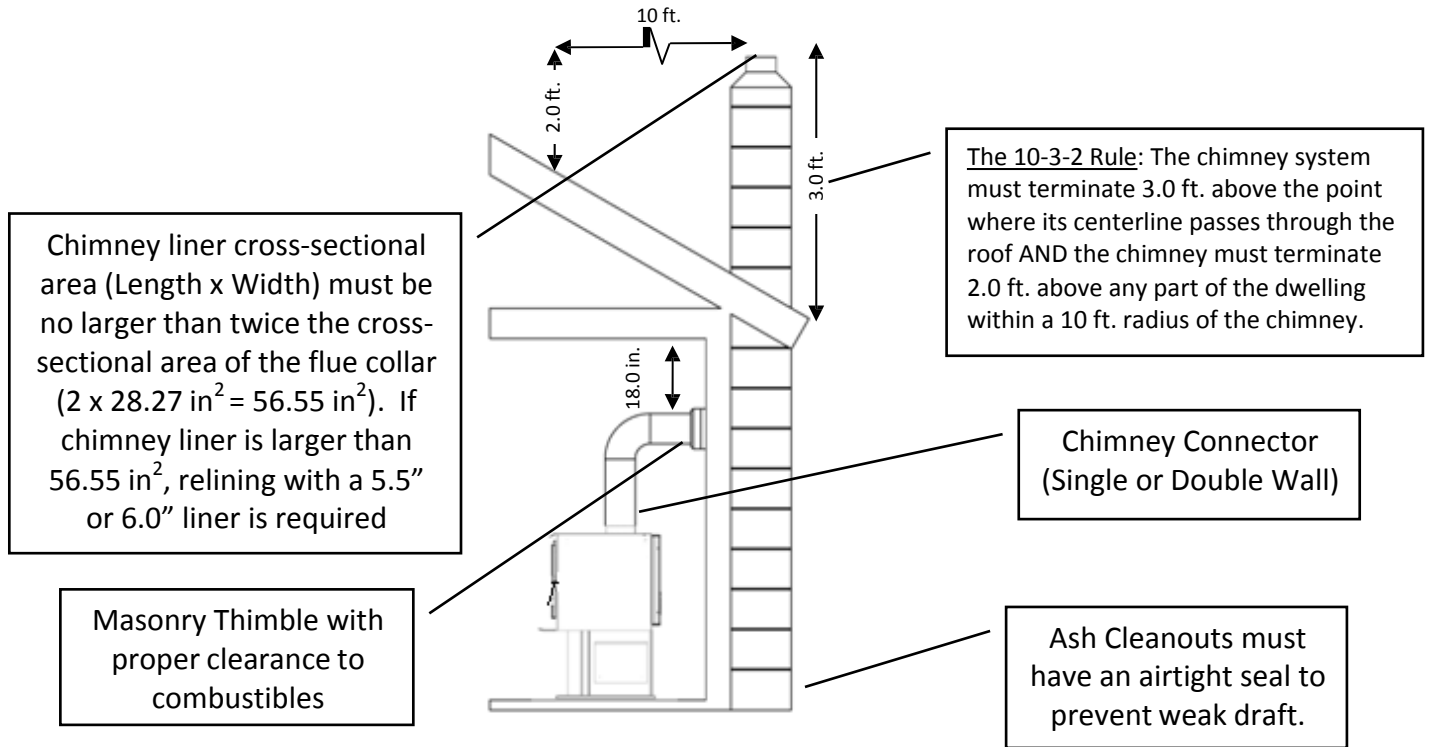


- Prefabricated chimney systems must conform to UL-103HT (2100 °F) for the U.S. and ULC-S629 (650°C) for Canada.
- This wood burning unit is only listed for installation with 6.0" diameter chimney connector and chimney systems. Installing this unit on prefabricated chimneys larger than 6.0" diameter will result in decreased draft and the potential for poor unit performance.
- Follow all venting system manufacturer's installation requirements and required clearances.
- Use three sheet metal screws at each single wall chimney connector joint (check manufacturer's recommendations when double wall chimney connector is used).
- Drill three holes in the flue collar of the unit and attach the chimney connector to the unit using sheet metal screws (holes should be pre-drilled in flue collar from factory).
- Properly attach the prefabricated chimney system to the home in strict accordance with the prefabricated chimney system manufacturer's instructions.
- The overall length of the chimney connector must not exceed 8.0 ft. In the case of cathedral ceilings, the prefabricated chimney system should extend to 8.0 ft. from the top of the unit.
- Special adapters and slip connectors are available to eliminate the need to cut single wall chimney connector. Double wall chimney connector must be used with these slip connectors, as it cannot be trimmed to length.

Please Note: Installation diagrams are for reference purposes only and are not drawn to scale, nor meant to be used as plans for each individual installation. Please follow all venting system requirements, maintain the required clearances to combustibles, and follow all local codes

INSTALLATION

Approved Venting Method 3: Internal or External Masonry Chimney System



- Follow the rules listed above concerning maximum permissible flue liner size; installing this unit on masonry chimneys exceeding 56.55 in^2 in cross-sectional area will result in decreased draft and the potential for poor unit performance.
- Use three sheet metal screws at each single wall chimney connector joint (check manufacturer's recommendations when double wall chimney connector is used).
- Drill three holes in the flue collar of the unit and attach the chimney connector to the unit using sheet metal screws (holes should be pre-drilled in flue collar from factory).
- Avoid numerous elbows and excessive horizontal runs as both will lead to poor draft and increased creosote accumulation. Horizontal runs of chimney connector must never exceed 4.0 ft. and the overall length of the chimney connector must not exceed 8.0 ft.
- A tight seal at the thimble is crucial for proper unit performance and to create a safe installation. Use the proper adapter designed for connecting single or double wall chimney connector to a masonry thimble.
- Have existing masonry chimneys inspected for safety and proper clearances to combustibles before putting them into service; a qualified chimney sweep can perform this inspection.
- External masonry chimneys often suffer cold downdrafts and poor draft performance even when they meet the cross-sectional area rules. In this case, a 6.0" insulated liner may be necessary.

Please Note: Installation diagrams are for reference purposes only and are not drawn to scale, nor meant to be used as plans for each individual installation. Please follow all venting system requirements, maintain the required clearances to combustibles, and follow all local codes.

INSTALLATION

INSTALLATION INTO A MASONRY FIREPLACE

Preparation

Measure your hearth to ensure it is large enough to accept the unit.

Unit must have a 36" clearance from the top of the stove to a mantel in accordance with NFPA 211

For the USA: Hearth must extend at least 16 in. from the front of the fuel opening.

For Canada: Hearth must extend at least 18 in (450.0 mm) from the front of the fuel opening.

Keep in mind that this type of a installation will make it difficult to change speeds on the blower frequently. We recommend picking a blower speed and sticking with it, since adjusting the blower will be difficult because of the tight installation.

WARNING: DO NOT ATTEMPT TO ADJUST BLOWER DURING OPERATION. SKIN BURNS MAY OCCUR WHEN MAKING CONTACT WITH THE UNIT. WAIT FOR UNIT TO COMPLETELY COOL BEFORE ATTEMPTING TO ADJUST BLOWER.

Inspect your hearth to be sure it is constructed of a noncombustible material such as brick or stone. Do **not** install this stove on a hearth that is constructed of wood framework that is covered by brick or stone and do **not** install this unit in a zero (0) clearance fireplace. The manufacturer will not be held responsible for an accident resulting from this stove being installed on a hearth constructed of a combustible material.

Inspect your fireplace to ensure it is in proper working order and free of any obstructions.

Prior to installation, remove the existing damper or wire it to fasten it open.

Venting Your Stove - Direct Connect

When this unit is direct connected it will require six inch (6") diameter 24 gauge pipe from the stove through the damper opening. **(NOTE: The chimney connector must be attached to the appliance with a minimum of three (3) screws, and 3 screws should be used to attach each adjoining section.)**

We highly recommend having the chimney fully lined with a 6 inch liner to ensure proper draft. This will make it necessary to block off the open area on both sides of the pipe that passes through the damper opening, which can be done with sheet metal or by packing flame retardant fiberglass insulation in the open areas (no paper or combustibles). You must be sure the draft from the chimney is being pulled through the stove, and not around the connector pipe. .

We highly recommend you have this done by a professional. You should also contact your local authorities to be sure you are following all codes.

INSTALLATION

WARNING

DO NOT INSTALL IN A SLEEPING ROOM.

CAUTION

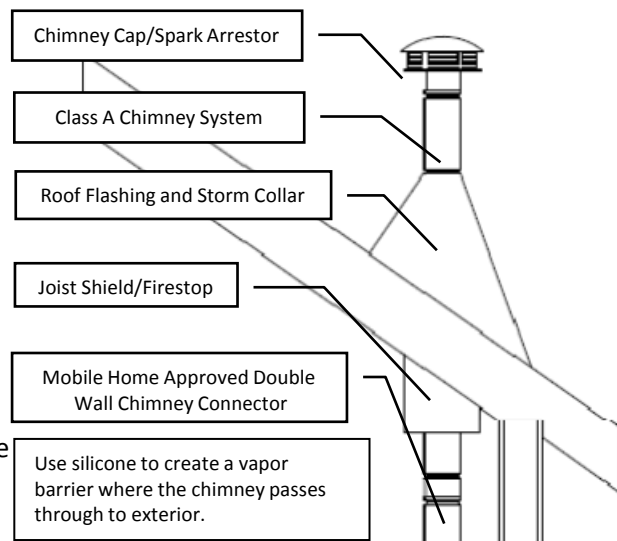
THE STRUCTURAL INTEGRITY OF THE MANUFACTURED HOME FLOOR, WALL AND CEILING/ROOF MUST BE MAINTAINED.

Caution

NEVER draw outside combustion air from: Wall, floor or ceiling cavity or enclosed space such as an attic, garage or crawl space.

Mobile Home Installation (USA ONLY, NOT APPROVED FOR CANADIAN MOBILE HOME INSTALLATION)

- The wood stove **MUST** be secured to the floor of the mobile home using lag bolts and the holes provided in the bottom of the unit for this purpose. Use a #8 copper wire to ground stove to frame of mobile home.
- The wood stove must be connected to the chimney system with double wall chimney connector which is UL listed for use in mobile and manufactured homes.
- Carefully follow all clearances listed in the appropriate section of this manual AND follow the venting manufacturer's minimum clearance requirements. Similarly, be certain the venting system used is approved for mobile home use.
- Installation must be in accordance with Manufacturers Home & Safety Standard (HUD) CFR 3280, Part 24 as well as any applicable local codes.

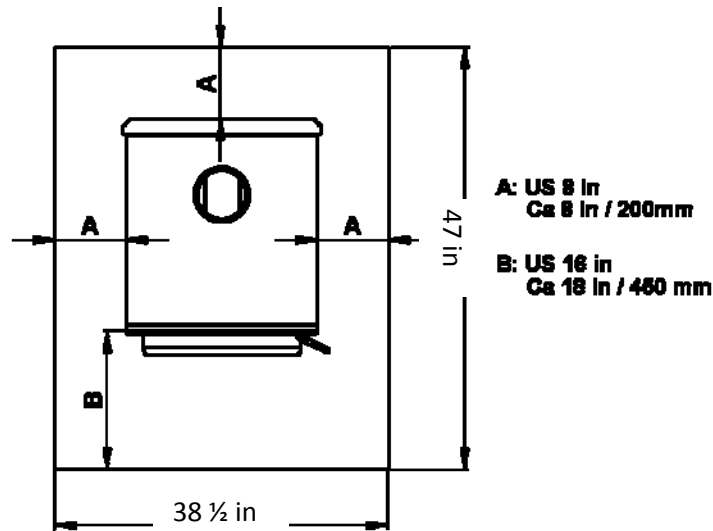


Outside Combustion Air

- The use of outside combustion air is **mandatory** when installing this wood stove in a mobile or manufactured home.
- The outside air connection pipe protrudes from the bottom center of the stove; a kit is available from England's Stove Works, Inc. designed for connecting this unit to outside combustion air. [Part No. AC-OAK3]
- If it is not feasible to use the AC-OAK3 outside air hookup kit in your stove installation, other materials may be used, provided the following rules are followed:
 - The pipe used for outside air hookup must be metal, with a minimum thickness of .0209in. (25 gauge mild steel) or greater and an inside diameter of approximately 2.75 in.
 - Keep pipe runs short and use a mechanical fastener at each pipe joint.
 - A screen or other protection device must be fitted over the outside air termination point to prevent rain, debris and nuisance animals from entering the piping system. Inspect the outside combustion air inlet for block and debris monthly.

FLOOR PROTECTION

- This wood stove requires a UL listed type 1 spark and ember floor protector if the stove is to be installed on a combustible floor. If the floor the stove is to be installed on is already non-combustible (i.e. a concrete floor in a basement), no floor protection is needed (although a decorative floor protector can still be used for aesthetic reasons).
- When using any UL listed type 1 spark and ember floor protector, consider that this stove is not only heavy but will induce heating and cooling cycles on the floor protector which can damage tile and loosen mortar and grout joints located near the stove.
- The spark and ember floor protector should be UL approved or equivalent (ULC if Canada) and must be noncombustible. Since the majority of the heat from this unit is radiant, the floor protector only serves to keep ashes and sparks from landing on combustible flooring near the unit. A hearth rug is NOT an approved substitute for a proper hearth pad. No R Value is necessary.
- For the US: The floor protector must extend at least 16 in. from the front of the fuel opening, 8 in. from the sides of the door opening and 8 in. from the rear of the unit.
- For Canada: The floor protector must extend at least 450.0 mm from the front of the fuel opening, 200.0 mm from the sides of the door opening and 200.0 mm from the rear of the unit.



- The spark and ember floor protector must extend 2 in. (50.8 mm.) on either side of any horizontal venting runs and extend directly underneath any vertical venting pipe.

CAUTION

NEVER USE GASOLINE, GASOLINE-TYPE LANTERN FUEL, KEROSENE, CHARCOAL LIGHTER FLUID, OR SIMILAR LIQUIDS TO START OR "FRESHEN UP" A FIRE IN THIS HEATER. KEEP ALL SUCH LIQUIDS WELL AWAY FROM THE HEATER WHILE IN USE. ADDITIONALLY, NEVER APPLY FIRE-STARTER TO ANY HOT SURFACE OR EMBERS IN THE STOVE.

OPERATION

Break-In Fires

- This wood burning unit is constructed of heavy gauge steel and cast iron and is built to last a long time. However, in order to ensure no excessive thermal stresses are induced on the metal during the first fire, three break-in fires should be burned, each one slightly hotter than the last. These break-in fires will not only help the stove body acclimate to the high temperatures of the fire, but will also slowly cure the high temperature stove paint, which will ensure the high quality finish lasts for years.
- This stove has a single air control rod which regulates the wood burn rate; when the primary air control slide is pulled all the way out of the unit, the stove will burn more slowly and put out heat over a longer time period. Conversely, when the air control slide is pushed all the way in, the unit will burn more quickly and put out a larger amount of heat over a relatively shorter time period. Do not attempt to modify the range of air control adjustment for any reason.
- The first break-in fire should be just a large kindling fire, getting the stove to about 300°F as measured by a magnetic thermometer on the right or left side of the stove, above the door. Once this temperature has been reached, allow the fire to die out with the air control open. The second and third break-in fires should be a bit larger, with some small dry splits added to the kindling load. The temperature goal during these fires is about 350°F – 450°F; don't let the fire get hotter than that.

Continuous Operation

- After the break-in fires are complete, this unit is ready for continuous operation. When burning the stove continuously, do not allow ash and coals to accumulate higher than the air hole in the dog box. Excessive coaling is often a result of burning wood at too high a burn rate, and the coal bed should be allowed to burn down before reloading the stove with fresh wood.
- Combustion air is delivered to the stove at two locations: The majority of the primary combustion air enters the firebox via the air-wash system which keeps the glass clean and feeds the primary combustion flames on the top surfaces of the wood; some primary combustion air is feed into the coal bed via the dog box hole in the bottom, front box of the stove. (This air is supplied from under the unit.) Every effort must be taken to maintain the area in front of this hole free of ash.
- When loading the stove for a long term burn, it is most useful to rake a “v” in the center of the coal bed, to allow the primary air bleed hole to push air all the way to the rear of the unit.
- After loading the stove with a full firebox of fresh wood, it is important to operate the unit with the air control in the full open position to properly char the wood load and drive off the initial moisture in the fresh wood. Once the wood has been properly charred and is completely ignited, the air control can then be set to the desired heat output level.
- This unit also offers a new feature. When loading the stove for a long low burn, you can set the air control damper to allow the unit to heat up and get a good burn going before the air is closed off to the low position. Simply pull the rod out to low and turn it counter-clockwise until you hear a slight “click” (about a quarter of a turn). When it is ready the damper will shut itself. This will work for low and medium low settings.

OPERATION

- England’s Stove Works, Inc. always recommends the use of a magnetic stove thermometer, so that the temperature of the unit can be monitored. When using a magnetic stove thermometer, locate the thermometer above the door on either the left or right side of the stove and use the following temperatures as rough guidelines to determine the burn rate and heat output level of the stove:
 - Normal wood stove operation should occur between 350°F (177°C) and 550°F (288°C), with 350°F (177°C) to 450°F (232°C) being a low to medium heat output level and 450°F (232°C) to 550°F (288°C) being a medium to high heat output level. Operating the stove at 600°F (316°C) would be considered the maximum continuous operating temperature permissible and unit damage may result from operating at that high of a burn rate for extended time periods. Allowing the unit to reach 650°F (343°C) or higher is defined as over-firing and will result in unit damage.
- The optional room air convection blower was designed to extract the maximum amount of heat from the stove, for the highest possible heat transfer into the room. Since the blower is so efficient at removing heat from the unit, it is very important to only operate the room air blower after a fresh wood load has been allowed to burn for at least thirty (30) minutes. Allowing a fresh load of wood to burn without the blower on ensures that the entire unit reaches proper operation temperatures and that the secondary combustion system is functioning properly. Additionally, follow the guidelines below for acceptable blower speeds.
- When using the optional room air convection blower (Part No. AC-16, or you can upgrade to the AC-30), the blower should be operated as follows depending on heat output level:

Burn Rate	High	Medium High	Medium	Medium Low	Low
Blower Speed AC-16	High	High	Low	Low	Low
Blower Speed AC-30	High	Medium High	Medium	Medium Low	Low

Creosote – Formation and Need for Removal

When wood is burned slowly, it produces tar and other organic vapors, which combine with expelled moisture to form creosote. The creosote vapors condense in the relatively cool chimney flue of a slow-burning fire. As a result, creosote residue accumulates on the flue lining. When ignited, this creosote makes an extremely hot fire. The chimney and chimney connector should be inspected at least once every two months during the heating season to determine if a creosote buildup has occurred. If creosote has accumulated, it should be removed to reduce the risk of chimney fire.

**DO NOT USE GRATE OR ELEVATE FIRE – BUILD WOOD FIRE DIRECTLY ON HEARTH
DO NOT OPERATE WITH THE MAIN DOOR OPEN – OPERATING THE STOVE WITH THE MAIN DOOR OPEN WILL CREATE AN OVER-FIRE**

In the event of a creosote or soot fire (chimney fire), close the air control on the stove, contact the local fire department and get out! Do not throw water on the fire! Contact your local fire authority for more information on how to handle a chimney fire and develop a safe evacuation plan for you and your family in the event of a chimney fire.

OPERATION

Additional Safety Guidelines

CAUTION: When adding fuel to the stove, the blower must be turned OFF.

- The installation of smoke detectors is highly recommended when installing this or any other solid fuel burning appliance. Smoke detectors should be located near or in every room of the home, particularly sleeping rooms.
- A smoke detector can be installed in the same room as this cordwood burning unit; installing the smoke detector too close to the unit can lead to nuisance alarms due to slight wisps of smoke emitted during the fire starting or reloading process. Due to this, the smoke detector in the same room as the unit will be most useful if it is located as far from the unit as the room will permit.
- This stove is meant for burning cordwood only; never burn pressure treated wood, kiln dried wood, creosote treated wood (railroad ties), ice covered or wet wood, green wood, drift wood, charcoal, coal, coke or ANY other fuel.
- Burning fuels other than cordwood, particularly coal and charcoal, can result in hazardous concentrations of carbon monoxide being emitted into the dwelling. For these reasons, NEVER burn coal or charcoal in this cordwood stove. Installing a carbon monoxide detector and being aware of the symptoms of carbon monoxide poisoning can help reduce the risk of carbon monoxide related issues.
- This unit was designed for operation only with the loading door closed and tightly latched. Operating this unit with the loading door latched loosely or open will allow excessive combustion air to reach the fire and will result in dangerously high unit temperatures. High unit temperatures can damage the unit, void the warranty or ignite creosote deposited in the chimney system by previous, slow burning fires.
- The natural draft that pulls air through this unit and allows the fire to burn uses the indoor air of the dwelling for combustion, unless the unit is connected to an outside combustion air source. Kitchen range vent hoods, furnaces and other air movement appliances in the home are often also removing air from the dwelling; if the amount of air filtration or leakage back into the home is exceeded by the air being removed, negative pressure may be created in the home.
- Since this is a natural draft appliance, it will often be the first appliance to have problems related to negative pressure. If smoke is forced out the chimney connector joints or out of the air induction system of the unit, the unit is likely fighting negative pressure in the dwelling. Cracking a window or door near the appliance can help equalize the negative pressure; ultimately, an unrestricted source of outside combustion may be necessary for proper unit function.
- If the unit is connected to outside air, be certain to monitor the exterior inlet to the combustion system for icing or snow accumulation. Allowing the outside air connection to become restricted will result in air starvation to the unit.

DO NOT STORE FUEL CLOSER THAN SPECIFIED CLEARANCES TO COMBUSTIBLES OR WITHIN THE SPACE NEEDED FOR LOADING THE STOVE AND FOR ASH REMOVAL.

MAINTENANCE

Daily Maintenance

- Inspect the firebox for ash accumulation; remove excess ash and follow instructions below regarding disposal. Ash should not be allowed to accumulate in the stove to the point that it covers the dog box hole.

Monthly Maintenance

- Check the blower for dust accumulation (if installed); check the door handle for proper operation and to be certain an airtight seal is still being made by the door.
- Inspect the chimney system and chimney connector and sweep if necessary. Although cleaning may be required less than monthly, ALWAYS inspect the venting system monthly to decrease the chance of a chimney fire.
- Visually inspect the ceramic fiber insulating boards in the firebox for cracks and/or breakage. Slight surface cracks will not affect the performance of the boards, but cracked or crumbling boards should be replaced immediately.
- Visually inspect the secondary combustion tubes for cracks, warping and corrosion. Although these tubes are constructed from stainless steel, they operate at very high temperatures and can eventually wear out from normal use.

Yearly Maintenance

- Check all gaskets (window and door) for wear and to be certain they still maintain an airtight seal. See the following page for instructions.
- Thoroughly clean the chimney system and the chimney connector system. Since the chimney connector is generally exposed to high exhaust temperatures, inspect it carefully for leaks and weak spots; replace any questionable pieces. [In the case of straight through the roof chimney system, be certain to remove the ceramic fiber baffles **before** pushing the chimney sweeping brush down into the firebox. Forcefully hitting the top of the baffle with a cleaning brush or rod can damage or destroy the baffle.]
- Remove all ash from the stove, including the ash which accumulates on the top of the firebox baffles. Leave the air control open during the non-heating months to allow some air to flow through the stove to help prevent corrosion. A small open container of cat litter in the stove can help prevent corrosion during the humid summer months; be certain to remove it before building a fire in the fall.

IMPROPER GASKET MAINTENANCE, INCLUDING FAILURE TO REPLACE GASKETS, CAN CAUSE AIR LEAKS RESULTING IN AN UNCONTROLLABLE FIRE IN THE UNIT.

Disposal of Ashes – Ashes should be placed in a metal container with a tight fitting lid. The closed container of ashes should be placed on a noncombustible floor or on the ground, well away from all combustible materials, pending final disposal. If the ashes are disposed of by burial in soil or otherwise locally dispersed, they should be retained in the closed container until all cinders have been thoroughly cooled.

MAINTENANCE

Inspecting Gaskets

An airtight seal at the door opening is crucial to proper stove performance. Any air leakage at this area can cause an over-fire situation and is therefore a serious safety threat. Because of this, gaskets should always be maintained in good condition. Gasket tightness can be checked using the “dollar-bill” method:

- Place a dollar bill between the gasket and the stove body (at the location where the gasket meets the stove).
- Close and tighten the door then attempt to pull the dollar bill out. If the dollar bill slides in and out easily, the gasket needs to be replaced. This test should be repeated around the entire gasket perimeter, as gaskets will sometimes seal tightly on one side, but will be worn and seal poorly on another side.
- Perform this test around the entire perimeter of the door, and visually inspect the window gasket for any leaks. Leaks in the window gasket can generally be located by following the prevailing soot trails left on the window after burning the unit.
- If any area fails the test, the entire gasket should be replaced. The part number appropriate to the gasket being replaced can be found in the “Illustrated Parts” section of this manual.
- Gaskets should only be replaced with equivalent fiberglass gaskets purchased from England’s Stove Works[®] specifically for this unit.

Gaskets

1. Door - This unit comes with a ¾” rope gasket around the door that should be replaced at least every year. To replace the door gasket (Part # AC-DGKHD), the old gasket must first be removed entirely — prior to adding the new adhesive, you may have to scrape the old cement from the door channel. Once the cement and gasket have been added, the door should be closed and latched for twenty-four hours to allow the cement to harden.
2. Window - If you are replacing the window gasket (Part # AC-GGK), the new gasket will already have adhesive on one side. First, remove the old gasket. Next, remove the paper on the adhesive side and place the gasket around the outside edge of the glass, centered over the edge. Fold the gasket edges over on the glass, forming a “U” shape.

Finish

This new unit has been painted with High-Temperature Paint that should retain its original look for years. If the unit should get wet and rust spots appear, the spots can be sanded with fine steel wool and repainted. It is crucial that only High-Temperature Spray Paint is used (Part # AC-MBSP), as others may not adhere to the surface or withstand the high temperatures. Similarly, some brands of paint will not adhere to different brands of paint, so we highly recommend using our proprietary High-Temperature Spray Paint.

REPLACING COMPONENTS

Glass

This unit has a ceramic glass panel (Part No. AC-G50) in the viewing door; self adhesive window gasket is included with replacement windows purchased directly from England's Stove Works. Never replace ceramic glass with tempered or any other type of glass and never operate this unit with cracked or broken glass.

- Glass Size: 12.75 in. (323.85 mm) x 16.75 in. (425.45 mm)
- Glass Type: 5mm Ceramic Glass (Keralite Pyroceram)
- Glass Manufacturer: Eurokera

Glass Precautions

1. Never replace ceramic glass with tempered or any other type of glass.
2. Never operate this unit with cracked or broken glass.
3. Do not slam the door or strike the glass with any objects.
4. Do not build the fire directly against the glass.

Glass Cleaning

1. Be certain the stove **and** the glass are completely cool.
2. The build-up on the glass will generally be light and water is normally sufficient to remove the deposits. If stubborn soot persists, use a cleaner made specifically for this purpose. Do not scrape the glass or use abrasive cleaners.
3. Rinse the glass with clean water and dry the glass before resuming normal operation.

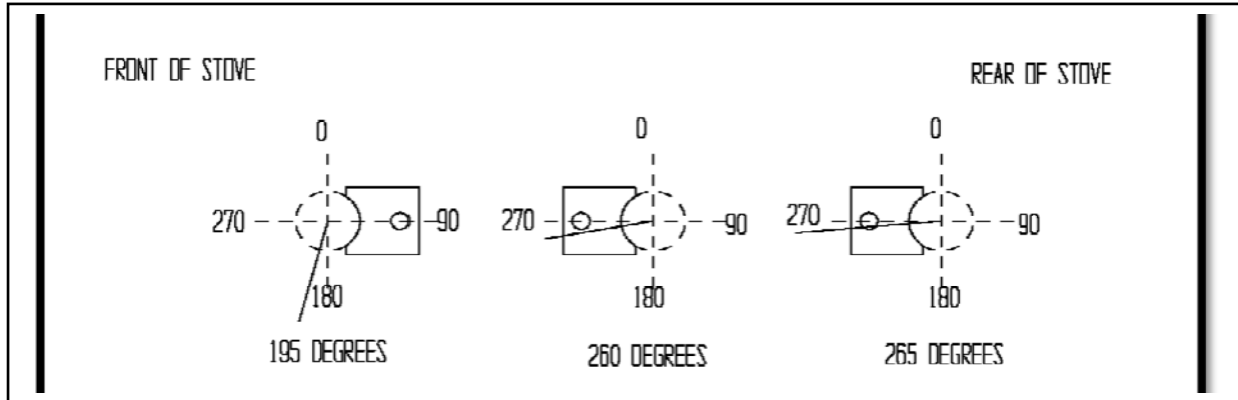
Glass Replacement

1. Remove the door from the stove and rest it face down on a firm work surface.
2. Using a 5/16" wrench, remove the four window bracket retaining screws.
3. Remove the four window tabs from the door. Take extra care to avoid shards of glass if the glass window has been broken.
4. Lift the old glass panel out of the door and discard.
5. The glass panel must be wrapped with a self-adhesive fiberglass tape gasket (AC-GGK). If you purchased a new glass, it will come already wrapped. If reusing the same piece of glass, remove old gasket, scrape off old adhesive and wrapped with the AC-GGK. This gasket serves to cushion the glass from the cast iron door.
6. Reinstall the window retaining tabs using the four screws previously removed. Do not over-tighten the screws.

REPLACING COMPONENTS

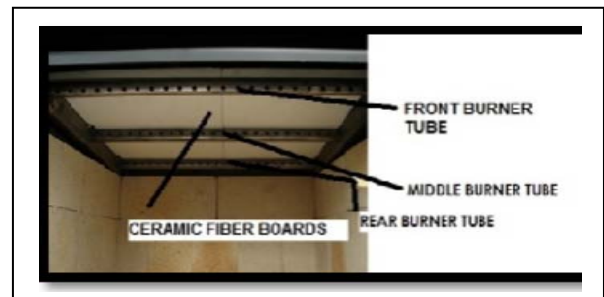
Burner tube replacement

There are three different burner tubes in the top of the stove. To replace a tube, first be sure that you order the correct tube you need to replace. Then using a 5/16" socket or open end wrench, remove the screw located on the left side of the tube. Be sure to keep the screw. Push the tube to the right then remove the tube (pulling the tube back to the left after that side has been removed from the hole). To replace, reverse the above procedure...make sure to install the tubes in the correct order. (Front to Back)



Ceramic fiberboard replacement

To replace a cracked or broken board, first remove the front burner tube. Then remove the board you need to replace. Install the new board (the two boards should sit flush on the tubes side by side). Replace the tube previously removed.



Door hinges

The hinges on this unit were designed to be adjustable. The plates are secured using a 1/2" bolt and nut. To adjust the hinge plates in or out first remove the door, then use a 1/2" socket and 1/2" open ended wrench (one on the nut and one on the bolt head) and loosen the bolt/nut. Slide the plate in/out as desired and then use the socket and wrench to tighten the bolt/nut. * Use care when adjusting hinges. If enough room is not left for the door to clear the side of the unit, the hinge could break. *

Heat shield and back panel removal (to access other components)

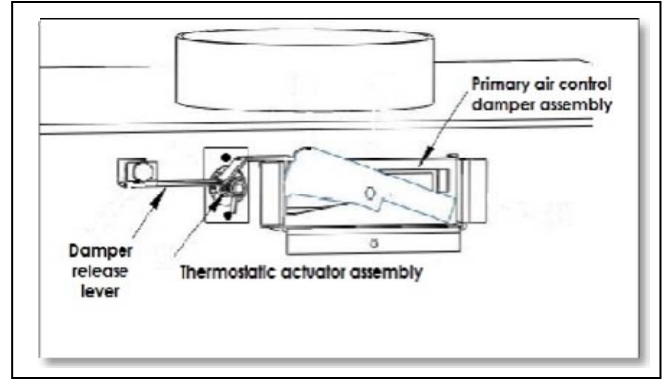
There are two 5/16" screws that are on the rear of the heat shield. To remove the heat shield, using a 5/16" socket or open ended wrench, remove the two screws. Then pull the heat shield up and back off the back panel. Next to remove the back panel, there are three 5/16" screws on the rear of the panel. Using a 5/16" socket or open ended wrench, remove the three screws. It may be necessary to pry the top of the panel with a flat head screwdriver (at the top of the stove). Lift the panel up and off the stove.

Other Components continued:

At this point you can access the primary air control damper assembly, thermostatic actuator assembly and the damper release lever. Although these shouldn't need to be replaced, they can be easily. The primary air control damper assembly can be replaced by removing the small spring handle from the front of the unit, then sliding the assembly out.

Replace by sliding the new assembly through the same hole and the rod through the front of the stove. Replace the spring handle. The thermostatic actuator assembly can be replaced by using a 5/16" socket to remove the two screws that hold the assembly.

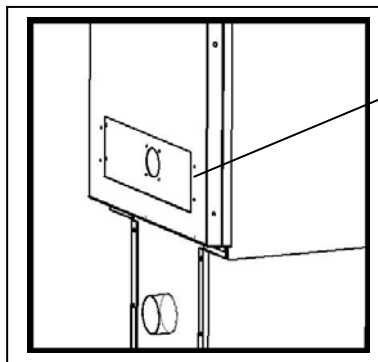
Install the new assembly using the same two screws. The damper release lever can be replaced by removing the 1/2" bolt. When reinstalling the damper be sure it is installed the same as when removed.



OPTIONAL ACCESSORIES

Blower: The wood stove was also designed for use with a convection blower for additional heat circulation. The stove is constructed with side convection channels which allow the room air blower to pick up heat from the hottest regions of the stove and transfer it into the home. The mounting screws for the blower are installed into the rear convection channel at the factory; mounting the blower only requires a 5/16" open end or socket wrench to remove these screws and install the blower. When routing the power cord, take care to keep away from hot areas of the unit and remember that this blower is for use only with the stove. Please see the diagram below for clarification on the room air blower installation. This unit can use the AC-16 (which comes standard with the unit) or the AC-30 upgrade blower. Both are installed using the four factory installed 5/16" screws.

The optional heat circulation blower on this stove requires periodic lubrication; this lubrication should be performed no less than every three months of normal operation. To properly lubricate the blower, use an eye dropper or similar dispensing device to drip 5-7 droplets of SAE 20 oil into the oil port on the side of the blower motor

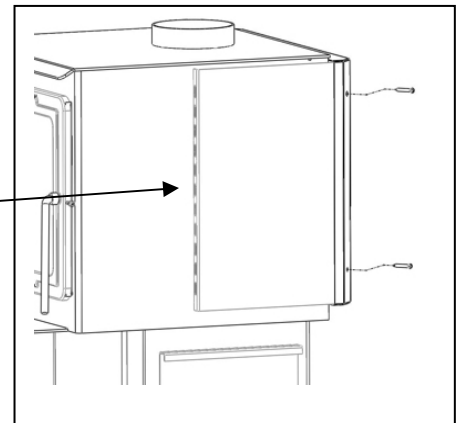


(4) 5/16" head, self-tapping screws (pre-installed in unit).

Warning: Disconnect power from fan before installation.

Side Heat Shield (Part AC-W01SHS):

Install the side heat shield behind the side flange of the rear panel. Align the two mounting holes and secure with the two screws provided.



TROUBLESHOOTING

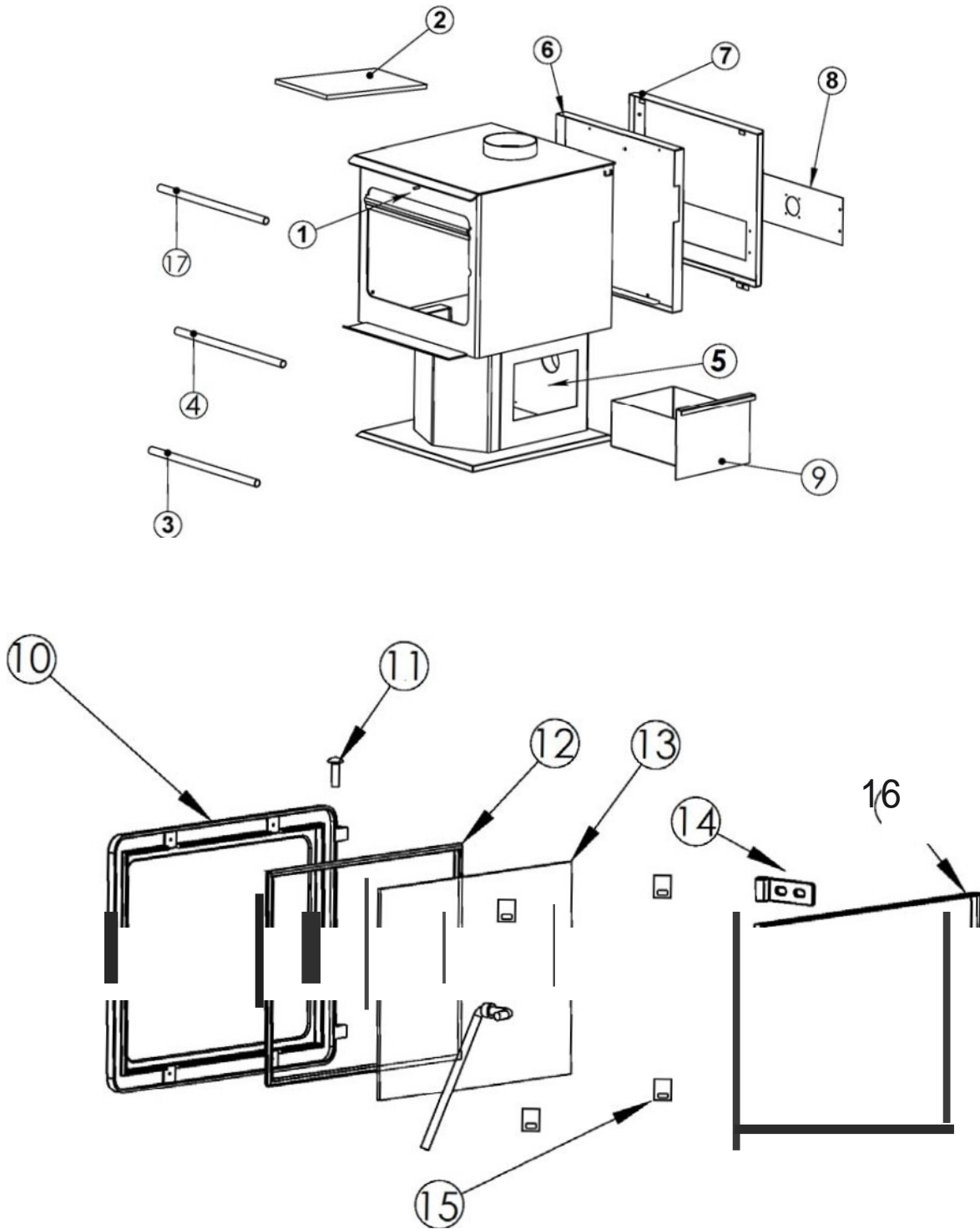
Issue	Cause	Solution(s)	
Stove smokes into room	1. Weak Draft	1.1 Be certain chimney is sufficiently tall to meet the 10-3-2 rule. 1.2 Add additional height to the chimney.	
	2. Negative Pressure in the Home	2.1 Add an outside combustion air hookup to the unit.	
Fire is hard to start	3. Weak Draft	3.1 Be certain chimney is sufficiently tall to meet 10-3-2 rule. 3.2 Add additional height to the chimney system.	
	4. Cold Chimney	4.1 Heat the flue first by burning crumpled newspaper in the stove. 4.2 Install an insulated chase around external chimneys.	
	5. Downdraft in Chimney	5.1 Be certain chimney is sufficiently tall to meet 10-3-2 rule. 5.2 Try heating the flue with a hair-dryer to correct the draft.	
	Glass is dirty	6. Wet or Green Wood	6.1 Only burn wood that is seasoned for at least one year and that is dry and free of ice and snow.
		7. Operating Stove at Low Burn Rate	7.1 Operate the stove at higher burn rates to allow the air-wash system to keep the glass clean.
8. Wood Loaded Too Close to Glass		8.1 Never load wood so that it is touching the ceramic glass viewing window.	
Coals build up in firebox	9. Operating Stove at High Burn Rates	9.1 Reduce combustion air control and allow coals to burn down before reloading.	
Fire burns out of control	10. Excessive Draft	10.1 Reduce chimney height.	
	11. Air Leakage	11.1 Inspect window and door gaskets and replace if necessary.	
	12. Burning Excessively Dry Wood	12.1 Only burn seasoned cord wood. Do not burn kiln dried wood or pallet wood.	
Excessive smoke from stack	13. Operating Stove at Low Burn Rate	13.1 Operate the stove at a higher burn rate which will create secondary combustion.	
	14. Wet or Green Wood	14.1 Only burn wood that is seasoned for at least one year and that is dry and free of ice and snow.	
	15. Not Charring Fresh Wood Load	15.1 Char the fresh wood load until it is completely ignited and active secondary combustion is present in the firebox.	

REPLACEMENT PARTS LIST

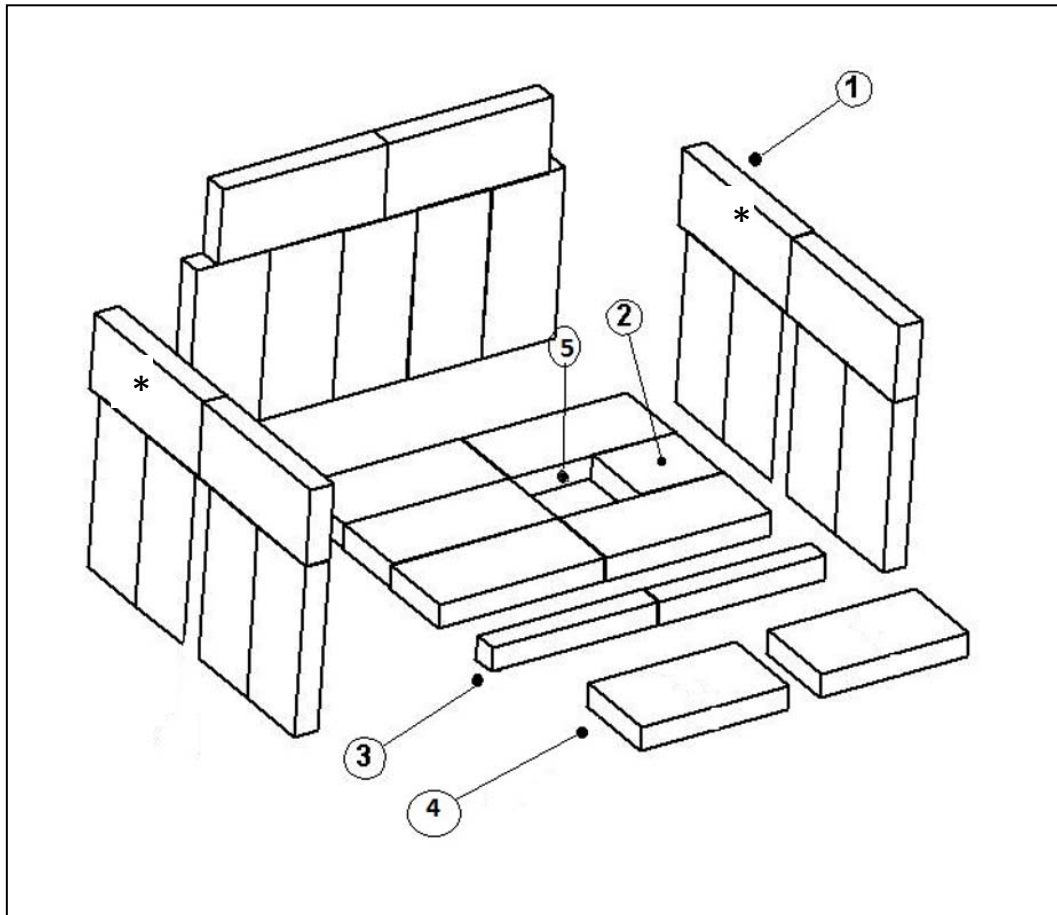
Diagram No.	Description	Part No.	Per Unit
7	Rear heat shield (BOLT ON)	AC-W01HS	1
6	Rear panel (BOLT ON)	AC-W01RP	1
1	Primary air control damper assembly	AC-W01PDA	1
Not shown	Damper release lever	AC-W01DRL	1
Not shown	Thermostatic actuator assembly	AC-W01TAA	1
9	Ash drawer	AC-ADW01	1
10	Door	CA-W01	1
14	Door hinges	AC-DHW01	2
Not shown	Side heat shields	AC-W01SHS	2
Not shown	Large Upgrade Blower (optional)	AC-30	1
Not shown	Small standard blower	AC-16	1
12	Glass gasket kit 3/4" flat	AC-GGK	1
16	Door gasket kit 3/4" high density	AC-DGKHD	1
3	Front burner tube	AC-W01FBT	1
17	Middle burner tube	AC-W01MBT	1
4	Rear burner tube	AC-W01RBT	1
13	Glass size 12.75" X 16.75"	AC-G50	1
2	Ceramic fiberboard	AC-W01CFB	2
Not shown	Small spring handle Nickel/Brass	AC-SH4N/AC-SH4	1
Not shown	Large spring handle Nickel/Brass	AC-SHN/AC-SH	1
8	Blower back cover	AC-BBC30	1
15	Glass tabs	AC-W01GT	4
11	Hinge pins	AC-HP	2
Not shown	Outside Air Kit (optional)	AC-OAK3	1

***FOR BRICK LAYOUT AND PART NUMBERS PLEASE
SEE PAGE 28.***

ILLUSTRATED PARTS DIAGRAM



BRICK LAYOUT AND REPLACEMENT



NOTE: The bricks on the sides and rear will need to be installed after delivery
**Top rear bricks on each side may or may not be notched. If notched, order part number AC-SBN1X3.*

DIAGRAM NUMBER	BRICK SIZE	PART NUMBER	QUANTITY PER STOVE
1	9" X 4" X 1.25"	AC-SB	24
2	4.5" X 4" X 1.25"	AC-SB4.5	1
3	9" X 2" X 1.25"	AC-SB9X1.25	2
4	7.75" X 4" X 1.25"	AC-SB7.75	2
5	ASH DUMP PLUG	CA-30ADP	1



Intertek

Control No. XXXXXX

Model 15-SSW01, 50-SHSSW01, 50-TRSSW01
Solid Fuel Burning Room Heater; Free Standing Model "SUITABLE FOR
MOBILE-HOME INSTALLATION (USA ONLY)"
Conforms to UL-1482 & ULC-S627-00

SERIAL NO.	
MFG. DATE	

Manufactured by:
England's Stove Works, Inc.
589 S. Five Forks Rd.
Monroe, VA 24574

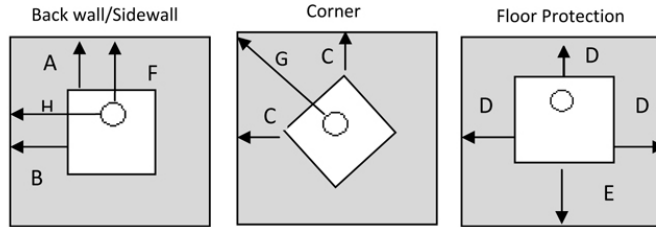
DO NOT REMOVE OR COVER THIS LABEL

- PREVENT HOUSE FIRES – INSTALL AND USE ONLY IN ACCORDANCE WITH THE OWNER'S MANUAL PROVIDED WITH THIS APPLIANCE.
- CONTACT LOCAL BUILDING OR FIRE OFFICIALS ABOUT RESTRICTIONS AND INSTALLATION INSPECTIONS IN YOUR AREA.

INSTALLATION REQUIREMENTS

- DO NOT CONNECT THIS UNIT TO A CHIMNEY FLUE SERVING ANOTHER APPLIANCE.
- USE A RESIDENTIAL TYPE MASONRY OR FACTORY BUILT CHIMNEY LISTED TO UL-103 HT (US) AND ULC-629 (CANADA).
- USE 24 GAUGE MSG BLACK SINGLE WALL CHIMNEY CONNECTOR OR LISTED DOUBLE WALL CHIMNEY CONNECTOR.
- REFER TO LOCAL CODES AND THE CHIMNEY MANUFACTURER'S INSTRUCTIONS FOR PRECAUTIONS REQUIRED FOR PASSING A CHIMNEY THROUGH A COMBUSTIBLE WALL OR CEILING.
- FOR THE US: PLACE ON A NON-COMBUSTIBLE TYPE 1 UL SPARK AND EMBER FLOOR PROTECTOR, WHICH EXTENDS 16.0 IN. TO THE FRONT AND 8.0 IN. TO EACH SIDE OF THE FUEL LOADING OPENING.
- FOR CANADA: PLACE ON A NON-COMBUSTIBLE TYPE 1 ULC SPARK AND EMBER FLOOR PROTECTOR, WHICH EXTENDS 450.0 MM. TO THE FRONT AND 200.0 MM. TO EACH SIDE OF THE FUEL LOADING OPENING.
- ADHERE TO THE LISTED MINIMUM CLEARANCES TO COMBUSTIBLES WHEN USING SINGLE WALL CHIMNEY CONNECTOR. SEE THE OWNER'S MANUAL FOR ADDITIONAL CLEARANCE INFORMATION.
- ONLY OPERATE THIS UNIT WITH THE DOOR CLOSED AND LATCHED TIGHTLY.
- THE MAIN LOADING DOOR CONTAINS A CERAMIC VIEWING WINDOW; DO NOT SLAM THE DOOR OR STRIKE THIS VIEWING WINDOW AT ANY TIME.
- IF THE GLASS IS CRACKED OR BROKEN, REPLACE WITH CERAMIC GLASS ONLY.
- MEETS EPA PARTICULATE MATTER REQUIREMENTS FOR WOOD HEATERS BUILT AFTER JULY 1, 1990 UNDER 40 CFR 60.533(H).
- OPTIONAL PART- BLOWER PART NUMBER AC-30 (FASCO) ELECTRICAL RATING 115 V, 60 HZ., 0.8 A
- OPTIONAL PARTS- SIDE HEAT SHIELDS PART NUMBER AC-W01SHS (ESW INC.)

OPERATION REQUIREMENTS: FOR USE WITH SOLID WOOD FUEL ONLY. DO NOT OVER-FIRE, IF HEATER OR CHIMNEY CONNECTOR GLOWS YOU ARE OVER-FIRING. INSPECT AND CLEAN CHIMNEY FREQUENTLY, UNDER CERTAIN CONDITIONS OF USE, CREOSOTE BUILDUP MAY OCCUR RAPIDLY. DO NOT USE A GRATE OR ELEVATE THE FIRE, BURN WOOD FIRE DIRECTLY ON THE HEARTH. RISK OF SMOKE AND FLAME SPILLAGE, OPERATE ONLY WITH DOOR FULLY CLOSED.



A = 7.5 inches (190.5 mm) B = 21.5 inches (546.1 mm) C = 9.5 inches (241.3 mm)
D = 8 inches (200 mm) E = 16 inches (450mm) F = 12 inches (304.8mm)
G = 19 inches (482.6 mm) H = 29 inches (736.6 mm)



CAUTION - HOT WHILE IN OPERATION. DO NOT TOUCH. KEEP CHILDREN, CLOTHING, AND FURNITURE AWAY. CONTACT MAY CAUSE SKIN BURNS. SEE NAMEPLATE AND INSTRUCTIONS.

You may write your unit's Manufacture Date and Serial Number in the blank spaces on this sample tag, for future reference. This sample tag also shows the safety info. such as UL (ULC) testing standard, etc. for your local officials, or anyone else who may need reference information.

LIMITED FIVE (5) YEAR WARRANTY

From the date of purchase to the original owner

The manufacturer extends the following warranties:

Five Year Period:

1. Carbon steel and welded seams in the firebox are covered for five (5) years against splitting.
2. The cast iron door and hinges are covered for five (5) years against cracking.

One Year Period:

1. Electrical components, accessory items, glass and the painted surface of the stove are covered for one (1) year from the date of purchase.

Conditions and Exclusions

1. Damage resulting from over-firing will void your warranty.
2. This warranty does not apply if damage occurs because of an accident, improper handling, improper installation, improper operation, abuse or unauthorized repair made or attempted to be made.
3. The manufacturer is not liable for indirect, incidental, or consequential damages in connection with the product including any cost or expense, providing substitute equipment or service during periods of malfunction or non-use.*
4. All liability for any consequential damage for breach of any written or implied warranty is disclaimed and excluded.
5. This warranty does not cover internal wear parts of the combustion system, including the firebrick lining and gaskets.

Some states do not allow the exclusion of limitations of incidental or consequential damages, so the above may not apply to you.

Procedure

Purchaser must give notice of claim of defect within the warranty period and pay transportation to and from a service center designated by the manufacturer. The dealer from which the unit was purchased or the factory, at our option, will perform the warranty service.

Other Rights

This warranty gives you specific legal rights; you may also have other rights, which may vary from state to state.

Please Note: This warranty is null and void if the attached warranty registration AND a copy of the sales receipt is not returned within thirty (30) days from the date of purchase.

WARRANTY REGISTRATION for England's Stove Works®

Purchaser Information

I. Purchased By (Name) _____

II. Address _____

III. City _____ State _____ Zip Code _____

IV. Telephone Number _____

V. Email Address _____

Dealer Information

VI. Purchased From _____

VII. Address _____

VIII. City _____ State _____ Zip Code _____

Unit Information

*Refer to the sticker on the back of the manual or box to complete this section.

IX. Model Number _____ Purchase Date _____

X. Purchase Price _____

XI. Serial Number _____ Mfg. Date _____

Purchase Questions

How did you first hear about our product? (Please check one)

Word of Mouth _____ Burn Trailer Demonstration _____ Internet _____

Other: _____

Where did you receive information about our product?

Via Telephone _____ Dealer (Name of dealer) _____ Internet _____

Other: _____

Important Notice

This registration information **MUST** be on file for this warranty to be valid. Please mail this information within thirty (30) days from the original date of purchase.

Use any of these three easy ways to send your warranty information in!

Mailing Address

England's Stove Works, Inc.
Technical Support Department
P.O. Box 206
Monroe, Virginia 24574

Fax Number

(434) 929-4810 – Twenty-four hours a day.

Online Registration

Visit our warranty registration website at:

<http://www.heatredefined.com>

(WARRANTY CARD LOCATED ON NEXT PAGE)

WOOD - Meets the 2015 U.S. Environmental Protection Agency's crib wood emission limits for wood heaters sold after May 15, 2015

PLEASE NOTE:

EPA INFORMATION

The following additions to your owner's manual will enable you to achieve optimal emissions performance from your stove. Important safety tips are also included.

- *Proper Installation* – Please refer to the Installation section of your owner's manual and follow the guidelines listed therein for safety and for optimal emissions performance.

Additional information:

Venting Introduction:

Draft: Draft is the force which moves air from the appliance up through the chimney. The amount of draft in your chimney depends on the length of the chimney, local geography, nearby obstructions and other factors. Too much draft may cause excessive temperatures in the appliance and may damage the catalytic combustor. Inadequate draft may cause backpuffing into the room and 'plugging' of the chimney or the catalyst.

Inadequate draft will cause the appliance to leak smoke into the room through appliance and chimney connector joints.

An uncontrollable burn or excessive temperature indicates excessive draft.

Please be mindful of installation location: Inversion and other air quality issues can arise in valleys or if unit is installed close to neighboring homes.

This wood stove operates on a natural draft system, in which the chimney system pulls air through the stove. This unit must be installed in accordance with the following detailed descriptions of venting techniques; not installing the stove in accordance with the details listed here can result in poor stove performance, property damage, bodily injury or death. Avoid make-shift compromises when installing the venting system. England's Stove Works is not responsible for any damage incurred

due to a poor or unsafe installation.

Be certain that all aspects of the venting system are installed to the venting manufacturer's instructions, particularly the required clearances to combustibles. Also, be certain to use an attic radiation shield to prevent insulation from contacting a chimney which passes through an attic.

The chimney system is the "engine" which drives a wood stove, so it is imperative for

proper unit function that the venting system be installed exactly as described in the following section.

If questions arise pertaining to the safe installation of the stove, our Technical Support line (800-245-6489) is available. Contact your local code official to be certain your installation meets local and national fire codes, and if you're uncertain about how to safely install the stove, we strongly recommend contacting a local NFI certified installer to perform the installation.

Venting Guidelines:

ALWAYS install vent pipe in strict adherence to the instructions and clearances included with your venting system.

- **DO NOT** connect this wood stove to a chimney flue which also serves another appliance.
- **DO NOT** install a flue pipe damper
or any other restrictive device in the exhaust venting system of this unit.
- **USE** an approved wall thimble when passing through a wall and a ceiling support/fire stop when passing through a ceiling.
- **INSTALL** three sheet metal screws at every chimney connector joint.
- **AVOID** excessive horizontal runs and elbows, as both will reduce the draft of the venting system and will result in poor stove performance.
- **INSPECT** your venting system often, to be certain it is clear of creosote, fly-ash and other restrictions.
- **CLEAN** the venting system as detailed in the maintenance section of this manual.
- **ADHERE** to the 10-3-2 rule regarding chimney terminations.
- **INSTALL** single wall chimney connector with the male end **down** to prevent creosote leakage.

Follow double wall chimney connector manufacturer's instructions regarding proper pipe installation.

WARNING: Venting system surfaces get HOT, and can cause burns if touched. Noncombustible shielding or guards may be required

The 10-3-2 Rule: The chimney system must terminate 3.0 ft above the point where it's centerline passes through the roof AND the chimney must terminate 2.0 ft. above part of the dwelling within a 10 ft. radius of the chimney.

- *Operation and Maintenance* – Please refer to the ‘Operation’ (Operating Instructions) and Maintenance (including Ash Removal/Disposal) sections of your owner’s manual and follow the guidelines listed therein for safety *and* for optimal emissions performance.

Additional Information:

Following the instructions in your owner’s manual for Building a Fire will ensure a proper fire, as well as helping minimize visible emissions.

More:

- *Fuel loading and re-loading:* Practical Tips for Building a Fire – See your owner’s manual for information on loading (and re-loading) your fuel, as well as for fire-starting procedures (i.e. ‘Building a Fire’).
- *Top-Down Fires:* The US EPA recognizes ‘the effectiveness of the top-down approach for starting fires.’ A good tutorial for this approach may be found at <http://woodheat.org/top-down-steps.html> . When building top-down fires, be sure to follow the instructions found in your owner’s manual and contact our Technical Support if you have any questions.
- *Fuel Selection:* Once your wood-burning appliance is properly installed, building an effective fire requires good firewood (using the right wood in the right amount) and good fire building practices. The following practical steps will help you obtain the best efficiency from your wood stove or fireplace.
 - Season wood outdoors through the summer for at least 6 months before burning it. Properly seasoned wood is darker, has cracks in the end grain, and sounds hollow when smacked against another piece of wood.
 - Store wood outdoors, stacked neatly off the ground with the top covered.
 - Burn only dry, well-seasoned wood that has been split properly.
 - Start fires with newspaper and dry kindling as discussed earlier in the manual.
 - Burn hot fires.
 - To maintain proper airflow, regularly remove ashes from your wood-burning appliance into a metal container with a cover and store outdoors.

Moisture Meter Information

- Firewood is ready at 10-25% moisture content.
- Newly-cut logs can have a moisture content (MC) of 80% or more, depending on species. Since wood shrinks, and can also split, twist or otherwise change shape as it dries, most wood is dried before being used. Air drying, or 'seasoning,' is the most common method used for cord wood. In most parts of the United States, the minimum moisture content that can be generally obtained in air drying is about 12 to 15 percent. Most air-dried material is usually closer to 20 percent moisture content when used
- To test your firewood, simply push the pins into the wood and wait for a reading. Remember, **don't just stick the meter into the ends of your firewood**. To get the most accurate reading, split the wood and test the center. The center of the log will contain the most moisture.

How Far Should I Drive Non-Insulated Pins into Wood?

- To full depth if possible. However, at moisture levels below 10%, it is usually sufficient to make good, positive contact with the wood. At higher levels of moisture and especially if you have a steep gradient, full penetration is a must.

- **WHAT FUELS NOT TO USE:**

CAUTION

- **NEVER USE GASOLINE, GASOLINE-TYPE LANTERN FUEL, KEROSENE, CHARCOAL LIGHTER FLUID, OR SIMILAR LIQUIDS TO START OR “FRESHEN UP” A FIRE IN THIS HEATER. KEEP ALL SUCH LIQUIDS WELL AWAY FROM THE HEATER WHILE IN USE. ADDITIONALLY, NEVER APPLY FIRE-STARTER TO ANY HOT SURFACE OR EMBERS IN THE STOVE. DO NOT USE CHEMICALS OR FLUIDS**
 - **TO START THE FIRE.**
- **DO NOT BURN FLAMMABLE FLUIDS SUCH AS GASOLINE, NAPHTHA OR ENGINE OIL.**
- **DO NOT BURN GARBAGE; LAWN CLIPPINGS OR YARD WASTE; MATERIALS CONTAINING RUBBER, INCLUDING TIRES; MATERIALS CONTAINING PLASTIC; WASTE PETROLEUM PRODUCTS, PAINT OR PAINT THINNERS, OR ASPHALT PRODUCTS; MATERIALS CONTAINING ASBESTOS; CONSTRUCTION OR DEMOLITION DEBRIS; RAILROAD TIES OR PRESSURE-TREATED WOOD; MANURE OR ANIMAL REMAINS; SALT WATER DRIFTWOOD OR OTHER PREVIOUSLY SALT WATER SATURATED MATERIALS; UNSEASONED WOOD; PAPER PRODUCTS, CARDBOARD, PLYWOOD OR PARTICLEBOARD. THE PROHIBITION AGAINST BURNING THESE MATERIALS DOES NOT PROHIBIT THE USE OF FIRESTARTERS MADE FROM PAPER, CARDBOARD, SAWDUST, WAX AND SIMILAR SUBSTANCES FOR THE PURPOSE OF STARTING A FIRE IN AN AFFECTED WOOD HEATER. BURNING THESE MATERIALS MAY RESULT IN RELEASE OF TOXIC FUMES OR RENDER THE HEATER INEFFECTIVE AND CAUSE SMOKE.**

- **Safe Wood-burning Practices**

Once your wood-burning appliance is properly installed, follow these guidelines for safe operation:

- Keep all flammable household items—drapes, furniture, newspapers, and books—far away from the appliance.
- Start fires only with newspaper, dry kindling and all natural or organic fire starters. Never start a fire with gasoline, kerosene, or charcoal starter.
- Do not burn wet or green (unseasoned) logs.
- Do not use logs made from wax and sawdust in your wood stove – they are made for open hearth fireplaces. If you use manufactured logs, choose those made from 100 percent compressed sawdust.
- Build hot fires. For most appliances, a smoldering fire is not a safe or efficient fire.
- Keep the doors of your wood-burning appliance closed unless loading or stoking the live fire. Harmful chemicals, like carbon monoxide, can be released into your home.
- Regularly remove ashes from your wood-burning appliance into a metal container with a cover. Store the container of ashes outdoors on a cement or brick slab (not on a wood deck or near wood). See ash removal instructions in your owner’s manual.
- Keep a fire extinguisher handy.

- Remember to check your local air quality forecast before you burn.
- *Air Controls*: SEE YOUR OWNER’S MANUAL for information on the Proper Use of Air Controls (in the Operation section).
- *ASH REMOVAL* – Follow your Owner’s manual’s instructions regarding removal and disposal of ashes.
- *REPLACEMENT of parts that are critical to emissions performance* – Follow your Owner’s manual’s instructions regarding replacement of gaskets and other parts that are critical to emissions performance.

Remember: “This wood heater needs periodic inspection and repair for proper operation. It is against federal regulations to operate this wood heater in a manner inconsistent with operating instructions in this manual.”

More: Burner Tubes – To replace a tube, first be sure that you order the correct tube you need to replace. Then using a 5/16” socket or open end wrench, remove the screw located on the left side of the tube. Be sure to keep the screw. Push the tube to the right then remove the tube (pulling the tube back to the left after that side has been removed from the hole). To replace, reverse the above procedure...make sure to install the tubes in the correct order. (Front to Back)

- **Smoke Detectors**

England’s Stove Works, Inc. highly recommends the use of smoke detectors in every room of the house. However, locating a smoke detector directly above this unit can result in nuisance alarms.

CAUTION

This unit is meant to operate only with door closed. Smoke spillage and an inefficient, lazy burn will result from attempting to operate the stove with the door open.

Additionally, using prohibited fuels can create an unsafe situation and can also generate excess carbon monoxide. Carbon monoxide is an odorless, colorless gas which can be deadly.

The use of a carbon monoxide detector is strongly recommended.

- *Compliance*: “This non-catalytic wood heater meets the 2015 U.S. Environmental Protection Agency’s crib wood emission limits for wood heaters sold after May 15, 2015.”

- *Tamper Warning:* “This wood heater has a manufacturer-set minimum low burn rate that must not be altered. It is against federal regulations to alter this setting or otherwise operate this wood heater in a manner inconsistent with operating instructions in this manual.”
- *Warranty:* See your Owner’s manual for a Warranty Registration instruction page, as well as instructions for warranty procedures. For parts, warranty replacement procedures may be found at our parts store site: www.store.heatredefined.com

Smartstove™



Questions? Besoin de pièces ou d'options? www.heatredefined.com

Pour un service en Français –

Courriel :

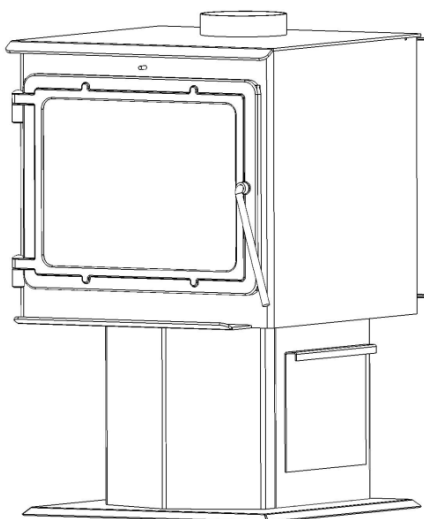
infoenfrancais@englanderstoves.com

Telephone (844) 411-2654

LE MADISON

15-SSW01, 50-SHSSW01, 50-TRSSW01

GUIDE D'INSTALLATION ET D'UTILISATION



Fabriqué par :

England's Stove Works, Inc.

P.O. Box 206

Monroe, VA 24574, États-Unis

Rév. 2/2017

ATTENTION

Veuillez lire l'intégralité du présent guide avant d'installer et d'utiliser cet appareil de chauffage au bois. Gardez tout appareil de chauffage hors de portée des enfants, et à bonne distance des meubles et des matières combustibles.

CONSERVEZ CES INSTRUCTIONS

AVIS DE SÉCURITÉ

Le non-respect de ces instructions peut causer des dommages matériels, des blessures ou même la mort. Pour votre sécurité et votre protection, suivez les instructions pour l'installation décrites dans ce guide. Communiquez avec les autorités locales en matière de construction ou le service d'incendie afin de connaître les restrictions et les exigences d'inspection des installations (y compris l'obtention de permis) de votre région.

IMPORTANT : EN CAS DE PROBLÈME AVEC CET APPAREIL, NE LE RETOURNEZ PAS AU DÉTAILLANT. COMMUNIQUEZ AVEC LE SERVICE DE SOUTIEN TECHNIQUE AU 1 800 245-6489.

Utilisation dans une maison mobile (approuvée pour les États-Unis seulement) :

Cet appareil de chauffage au bois autoportant est approuvé pour une utilisation dans une maison mobile ou pour une installation en double largeur avec le raccordement d'air comburant extérieur. Consultez la section « Installation » du présent guide pour connaître les détails relatifs à l'installation dans une maison mobile. L'installation dans une maison mobile doit être conforme à la norme Manufactured Home and Safety Standard (HUD), CFR 3280, partie 24, des États-Unis.

Conservez dans vos dossiers

Numéro de modèle _____

Date d'achat _____

Date de fabrication _____

Numéro de série _____

* Ces renseignements sont inscrits sur l'étiquette de sécurité fixée à l'arrière de l'appareil. Ayez ces renseignements à portée de la main si vous appelez le fabricant ou votre détaillant au sujet de ce produit.

ATTENTION

- Gardez les enfants à l'écart.
- Surveillez les enfants qui se trouvent dans la même pièce que cet appareil.
- Prévenez les enfants et les adultes des risques que représentent les températures élevées.
- N'utilisez PAS l'appareil si les barrières de protection sont ouvertes ou retirées.
- Cet appareil est chaud lorsqu'il est en marche! Tenez les vêtements, les meubles, les rideaux et les autres matières combustibles à bonne distance. Le contact avec l'appareil peut brûler la peau!
- L'installation DOIT être conforme aux codes et aux règlements municipaux, régionaux, provinciaux et nationaux.
- Consultez les autorités locales en matière de construction, le service d'incendie ou les organismes de contrôle locaux à propos des restrictions, de l'inspection des installations et de l'obtention de permis.

BIENVENUE!

Introduction

- Introduction..... 4

Caractéristiques techniques

- Caractéristiques de chauffage..... 5
- Dimensions..... 5
- Conformité aux normes de l'EPA..... 5

Installation

- Vue d'ensemble de l'installation..... 6
- Distances minimales avec les matières combustibles..... 7
- Généralités sur la ventilation..... 8
- Consignes pour la ventilation..... 8
- Renseignements supplémentaires sur la ventilation..... 9
- Traversées de mur..... 10
- Méthodes de ventilation approuvées
 - À travers le mur..... 11
 - À travers le plafond..... 12
 - Cheminée en maçonnerie..... 13
 - Foyer en maçonnerie..... 14
- Installation dans une maison mobile..... 15
- Raccordement d'air extérieur..... 16
- Protection du plancher..... 17

Utilisation

- Premiers feux..... 18
- Utilisation continue..... 18-19
- Avis de sécurité..... 20

Entretien

- Entretien du poêle..... 21
- Inspection des joints d'étanchéité..... 22
- Fini..... 22

Remplacement des composants

- Vitre..... 23
- Tubes de brûleur..... 24
- Panneaux en fibres de céramique..... 24
- Charnières de porte..... 24
- Écran thermique et panneau arrière..... 24
- Autres composants..... 25

Accessoires en option

- Ventilateur AC-16 ou AC-30..... 25
- Écran thermique latéral..... 25

Guide de dépannage

- Dépannage..... 26

Illustration détaillée des pièces

- Liste des pièces..... 27
- Vue éclatée des pièces..... 28
- Disposition des briques..... 29

Garantie

- Étiquette de référence..... 30
- Détails de la garantie..... 31
- Avis important..... 32
- Formulaire d'enregistrement de la garantie..... 33

REMARQUE : LES DISTANCES MINIMALES NE PEUVENT ÊTRE RÉDUITES QUE PAR DES MÉTHODES APPROUVÉES PAR LES AUTORITÉS RÉGLEMENTAIRES COMPÉTENTES.

NE RACCORDEZ PAS L'APPAREIL À UN CONDUIT NI À UN SYSTÈME DE DISTRIBUTION DE L'AIR.

NE FAITES PAS BRÛLER DE DÉTRITUS NI DE LIQUIDES INFLAMMABLES COMME DE L'ESSENCE, DU NAPHTA OU DE L'HUILE POUR MOTEUR.

N'UTILISEZ PAS DE PRODUITS CHIMIQUES NI DE FLUIDES POUR ALLUMER LE FEU.

Merci d'avoir acheté cet excellent produit de la gamme England's Stove Works.

La famille qui a fondé et possède encore England's Stove Works croit fermement que les travaux que l'on réalise soi-même sont les plus satisfaisants; voilà pourquoi vous avez trouvé ce poêle auprès de votre magasin préféré de produits prêts à assembler.

Nous concevons et fabriquons nos poêles expressément pour que n'importe quel propriétaire soit en mesure de les entretenir avec des outils de base. De plus, nous sommes toujours disposés à vous montrer comment procéder de la façon la plus simple et la plus économique qui soit.

En offrant des fiches d'entretien téléchargeables gratuitement et un guide de dépannage intelligent sur notre site Web, nous tentons d'aider nos clients à être prêts à utiliser leur appareil de chauffage en tout temps, d'autant plus que le prix du mazout et de l'électricité ne cesse d'augmenter.

Si vous avez besoin d'aide au sujet de votre appareil, veuillez consulter la vaste section d'aide de notre site Web ou appeler notre service de soutien technique au 1 800 245-6489. Nous sommes presque toujours en mesure de vous guider en cas de réparation à effectuer ou de problème, ou encore de répondre à vos questions.

REMARQUE : Les renseignements obtenus sur notre site Web ou en composant notre numéro sans frais sont gratuits en tout temps. Cependant, les réparations ou l'entretien que nous offrons sur place occasionnent des frais.

Nous vous souhaitons des années de chauffage agréable, efficace et de qualité.

Service de soutien technique d'England's Stove Works

ATTENTION : Le poêle est lourd.

De plus, lorsque vous manipulez des tôles, rappelez-vous qu'il peut y avoir des bords coupants ou des bavures. Bien que nous fassions tous les efforts possibles pour éliminer les bords coupants, veuillez faire preuve de prudence lorsque vous manipulez des pièces de métal. N'oubliez pas de déconnecter (débrancher) le poêle de la source d'alimentation et de le laisser refroidir complètement avant d'en effectuer l'entretien.

Ce manuel peut être téléchargé gratuitement sur le site Web du fabricant. Il s'agit d'un document protégé par le droit d'auteur et il est strictement interdit de le revendre. Le fabricant peut occasionnellement mettre à jour ce manuel et ne peut être tenu responsable de problèmes, y compris les blessures ou les dommages résultant de l'utilisation de renseignements trouvés dans un manuel provenant de sources non autorisées.

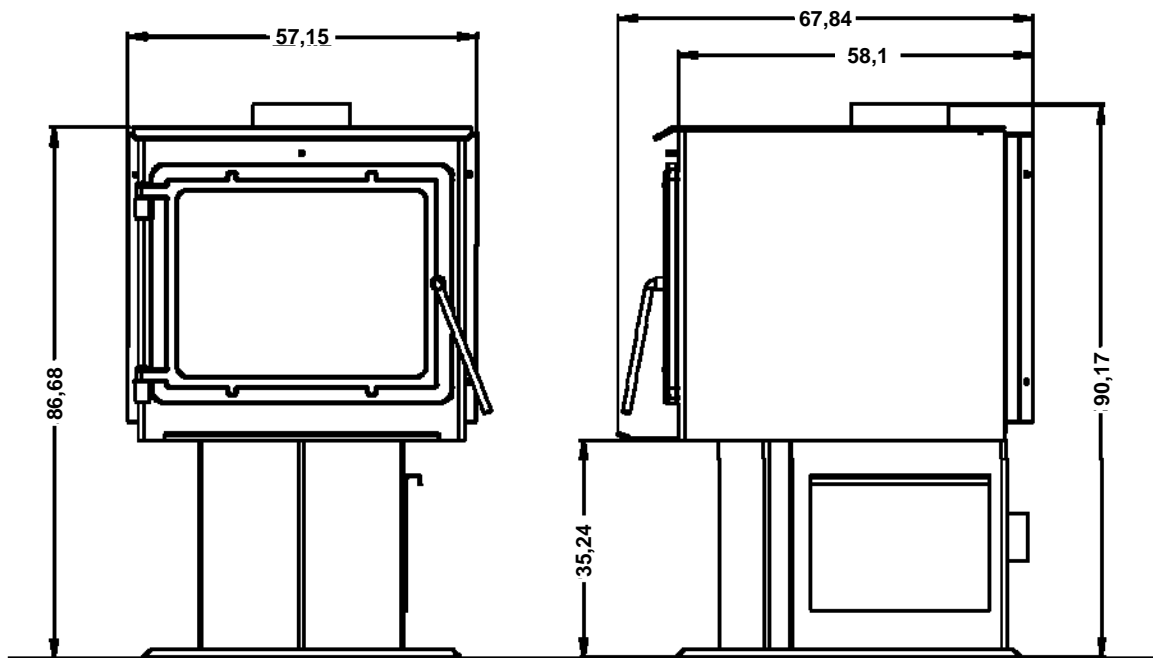
REMARQUE : Si vous avez acheté ce modèle, en fonction des magasins, le numéro de modèle peut se terminer par « L », « LC », « H », « CT », etc. Ce guide concerne ces modèles également.

CARACTÉRISTIQUES TECHNIQUES

Caractéristiques de chauffage

- Durée maximale de combustion** 6 à 8 heures
- Superficie approximative chauffée*** 185,81 m²
- Capacité de la chambre de combustion 15,88 kg (35 lb)
- Buse 15,24 cm, ronde

Dimensions (cm)



Conformité aux normes de sécurité et aux normes de l'EPA

- Conformité aux normes de l'EPA Certifié
- Émissions de particules 2,49 g/h
- Efficacité* 72 % PCS (PCI de 78 %)
- Testé selon les normes UL-1482, ULC-S627-00

** – La durée maximale de combustion dépend fortement du type de bois brûlé dans le poêle; ces valeurs peuvent donc varier.

*** – La capacité maximale de chauffage de cet appareil peut varier considérablement selon le climat, le type de construction, l'isolation et de nombreux autres facteurs. Combinez les renseignements exposés dans le présent guide aux résultats d'un calcul de déperdition thermique pour votre maison afin de déterminer si cet appareil suffira à combler vos besoins.

INSTALLATION

Vue d'ensemble de l'installation

Lorsque vous choisissez l'emplacement de votre nouveau poêle, vous devrez tenir compte d'un grand nombre de facteurs avant de commencer l'installation.

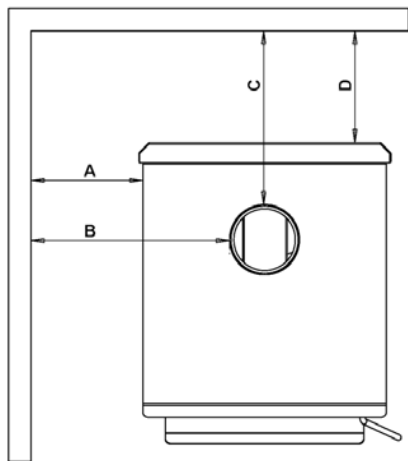
1. Habitudes de passage – Afin de prévenir les accidents, le poêle doit être installé à un endroit où il n'encombre pas le passage habituel dans la maison.
2. Flux de chaleur – Tenez compte de la façon dont la chaleur circule dans votre maison pour décider de l'endroit où vous installerez votre poêle. Installez le poêle à l'endroit que vous avez besoin de chauffer. Souvent, une installation en sous-sol ne permet pas qu'une chaleur suffisante atteigne les étages supérieurs, alors qu'une installation au dernier étage ne permet pas que la chaleur se rende aux étages inférieurs. N'oubliez pas que, tant qu'il est chaud, l'air monte et emprunte le chemin offrant le moins de résistance.
3. Emplacement de l'évacuation – Le moteur d'un poêle à bois est le système de cheminée; il est donc important d'examiner avec précision la méthode d'intégration du système de cheminée lors de l'installation du poêle. Idéalement, la cheminée d'un poêle à bois devrait être en position complètement verticale à partir de la buse de l'appareil jusqu'à l'extrémité se terminant au-dessus de la ligne de toiture. Un système de cheminée situé complètement à l'intérieur de l'enveloppe chauffée de la maison assurera un tirage fort et facile à amorcer dans la cheminée. Bien que les systèmes de cheminée extérieurs fonctionnent souvent de façon adéquate, ils subissent plus souvent le contre-tirage d'air froid à l'allumage ou sont fréquemment la cause d'un tirage faible de l'appareil. Tenez compte également de la section transversale de la cheminée. Même si les cheminées en maçonnerie existantes peuvent souvent être utilisées, il sera difficile voire impossible de faire fonctionner correctement l'appareil avec une grande cheminée en maçonnerie extérieure. Dans un tel cas, il sera souvent nécessaire d'utiliser une doublure de cheminée isolante afin de fournir le tirage nécessaire.
4. Construction du mur – Le fait de disposer le poêle de sorte que le système d'évacuation passe entre les montants d'une cloison simplifie l'installation et élimine la nécessité de restructurer les sections de mur ou de plafond pour y poser le manchon d'emboîtement mural ou la boîte d'encastrement de plafond.

AVERTISSEMENT

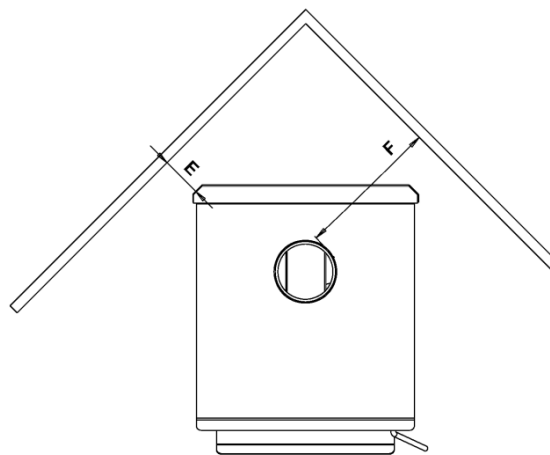
- Ne stockez pas et n'utilisez pas d'essence ni toute autre vapeur ou liquide inflammable à proximité de cet appareil ou de tout autre appareil.
- Évitez l'emballement du poêle. Si des pièces extérieures commencent à rougeoier, il y a emballement. Réduisez l'alimentation en air. L'emballement annulera votre garantie.
- Respectez les indications relatives aux distances minimales avec les matières combustibles. Le non-respect de ces exigences pourrait provoquer l'incendie de la maison.
- Testé et approuvé pour **du bois enstéré seulement**. L'utilisation de tout autre combustible annulera votre garantie.

INSTALLATION

Distances minimales avec les matières combustibles



*Installation
parallèle au mur*



Installation en coin

INSTALLEZ L'ÉVENT EN RESPECTANT LES DÉGAGEMENTS INDIQUÉS PAR LE FABRICANT DE L'ÉVENT.

	De l'appareil au mur latéral *	Du raccord de cheminée au mur latéral	Du raccord de cheminée au mur arrière	De l'appareil au mur arrière	De l'appareil au coin	Du raccord de cheminée au coin
	A	B	C	D	E	F
	mm (po)	mm (po)	mm (po)	mm (po)	mm (po)	mm (po)
Raccord de cheminée à paroi simple sur une surface non protégée	546,1 (21,5)	736,6 (29)	304,8 (12)	190,5 (7,5)	241,3 (9,5)	482,6 (19)
Raccord de cheminée à paroi double sur une surface non protégée	S.O.	S.O.	S.O.	S.O.	S.O.	S.O.
Raccord de cheminée à paroi simple sur une surface non protégée avec écrans latéraux	445,5 (17,5)	635 (25)	304,8 (12)	190,5 (7,5)	139,7 (5,5)	381 (15)
Raccord de cheminée à paroi double sur une surface non protégée avec écrans latéraux	S.O.	S.O.	S.O.	S.O.	S.O.	S.O.

INSTALLATION

Généralités sur la ventilation

Ce poêle à bois utilise un système de tirage naturel dans lequel le système de cheminée tire l'air dans le poêle. Cet appareil doit être installé conformément aux techniques de ventilation décrites en détail ci-après. Le non-respect des détails mentionnés pourrait réduire son rendement et causer des dommages matériels, des blessures ou la mort. Évitez d'avoir recours à des expédients lors de l'installation du système de ventilation. England's Stove Works n'est pas responsable des dommages causés par une installation incorrecte ou non sécuritaire.

Assurez-vous de bien suivre toutes les instructions du fabricant relatives au système de ventilation, surtout par rapport aux distances minimales nécessaires avec les matières combustibles. Assurez-vous également d'utiliser un écran antirayonnement de grenier afin d'éviter que l'isolant entre en contact avec une cheminée qui traverse un grenier.

Le système de cheminée est le « moteur » du poêle à bois. Il est donc essentiel que le système de ventilation soit installé exactement selon la description indiquée dans la section suivante afin d'assurer un fonctionnement adéquat de l'appareil.

Pour toute question relative à l'installation sécuritaire du poêle, appelez notre service de soutien technique au 1 800 245-6489. Communiquez avec un agent responsable local afin de vous assurer que l'installation est conforme aux exigences municipales et nationales en matière de prévention des incendies. Si vous n'êtes pas certain de pouvoir installer le poêle de façon sécuritaire, nous vous suggérons fortement de faire appel à un installateur local certifié par le NFI (National Fireplace Institute des États-Unis).

Consignes pour la ventilation

- Installez **TOUJOURS** le tuyau de ventilation en respectant rigoureusement les instructions et les indications sur les dégagements qui accompagnent le système de ventilation.
- Ne raccordez **PAS** le poêle à bois à un conduit de fumée déjà utilisé pour un autre appareil.
- N'installez **PAS** de registre de tirage, ni aucun autre dispositif de réglage dans le système d'évacuation par ventilation de cet appareil.
- **UTILISEZ** un manchon d'emboîtement mural homologué pour traverser un mur et un support de plafond ou un coupe-feu pour traverser un plafond.
- **INSTALLEZ** trois vis à tôle sur chaque joint de raccord de cheminée.
- **ÉVITEZ** de trop nombreux coudes et parcours horizontaux, car ils réduiront le tirage du système de ventilation, ce qui nuira au rendement du poêle.
- **INSPECTEZ** souvent le système de ventilation afin de vous assurer qu'il ne contient pas de créosote, de cendres volantes ou d'autres obstructions.
- **NETTOYEZ** le système de ventilation comme il est décrit dans la section sur l'entretien du présent guide.
- **RESPECTEZ** la règle 10-3-2 concernant les raccordements de la cheminée.
- **INSTALLEZ** le raccord de cheminée à paroi simple avec l'extrémité mâle **vers le bas** pour éviter les fuites de créosote. Suivez les instructions du fabricant de raccords de cheminée à paroi double concernant l'installation adéquate des tuyaux.

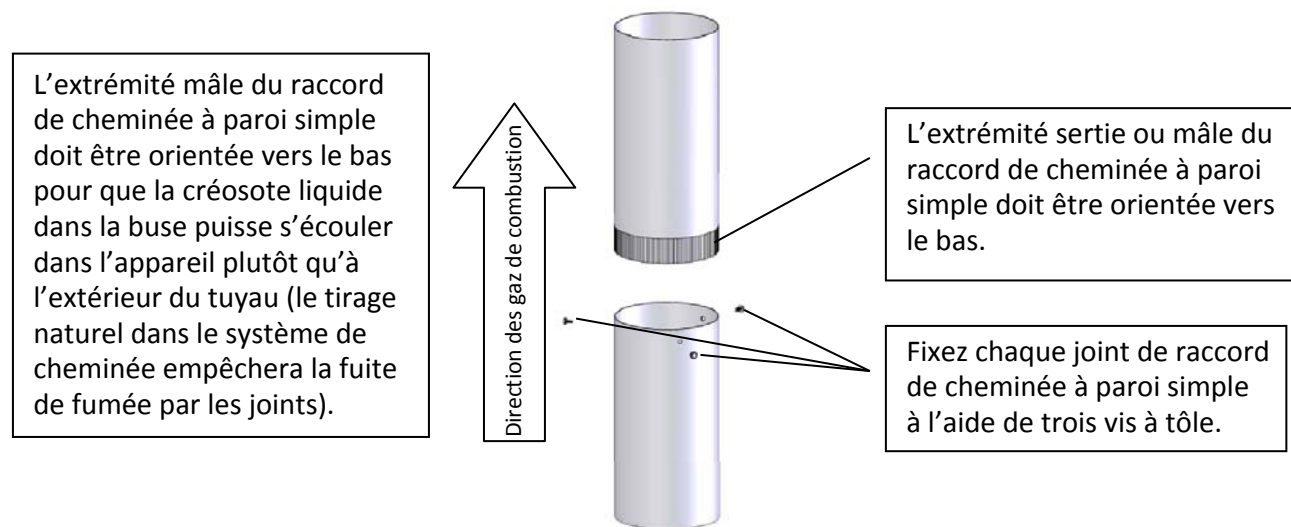
AVERTISSEMENT : Les surfaces du système de ventilation deviennent **CHAUDES** et peuvent causer des brûlures si vous les touchez. Il peut être nécessaire d'utiliser un revêtement ou des grilles de protection incombustibles.

INSTALLATION

Renseignements supplémentaires sur la ventilation

- Ne mélangez pas et n'appariez pas de composants provenant de différents fabricants de tuyaux lorsque vous installez le système de ventilation (par exemple, n'utilisez **PAS** un tuyau de ventilation d'un fabricant et un manchon d'emboîtement d'un autre fabricant).
- Nous **exigeons** une hauteur minimale de cheminée de 4,57 m. Des systèmes de cheminée plus courts pourraient ne pas assurer le tirage nécessaire au fonctionnement adéquat de ce poêle à bois.
- N'ayez pas recours à des expédients lors de l'installation du système de ventilation. Faites inspecter le système de cheminée existant avant de l'utiliser et assurez-vous que tout nouveau système de cheminée est installé selon les spécifications du fabricant et seulement avec les composants homologués UL (ULC au Canada).
- Les systèmes de ventilation préfabriqués utilisés pour ce poêle doivent être homologués ULC S629 (Canada) et UL 103HT (États-Unis).
- N'installez jamais de système de tirage par aspiration ou tout autre système qui augmente le tirage naturel de la cheminée. De plus, n'installez pas de registre barométrique ou de registre de tirage sur cet appareil.
- N'utilisez jamais de raccord de cheminée à paroi simple ou double comme système de cheminée. Ne faites jamais passer un raccord de cheminée dans un mur combustible sans respecter à la lettre les instructions du fabricant et celles indiquées à la page suivante concernant les traversées de mur. Ne faites JAMAIS passer un raccord de cheminée à travers un grenier, un plancher, un placard ou un toit.
- Utilisez uniquement un raccord de cheminée noir à paroi simple de calibre 24 MSG ou un raccord de cheminée à paroi double homologué UL (ULC au Canada).

Installation d'un raccord de cheminée à paroi simple



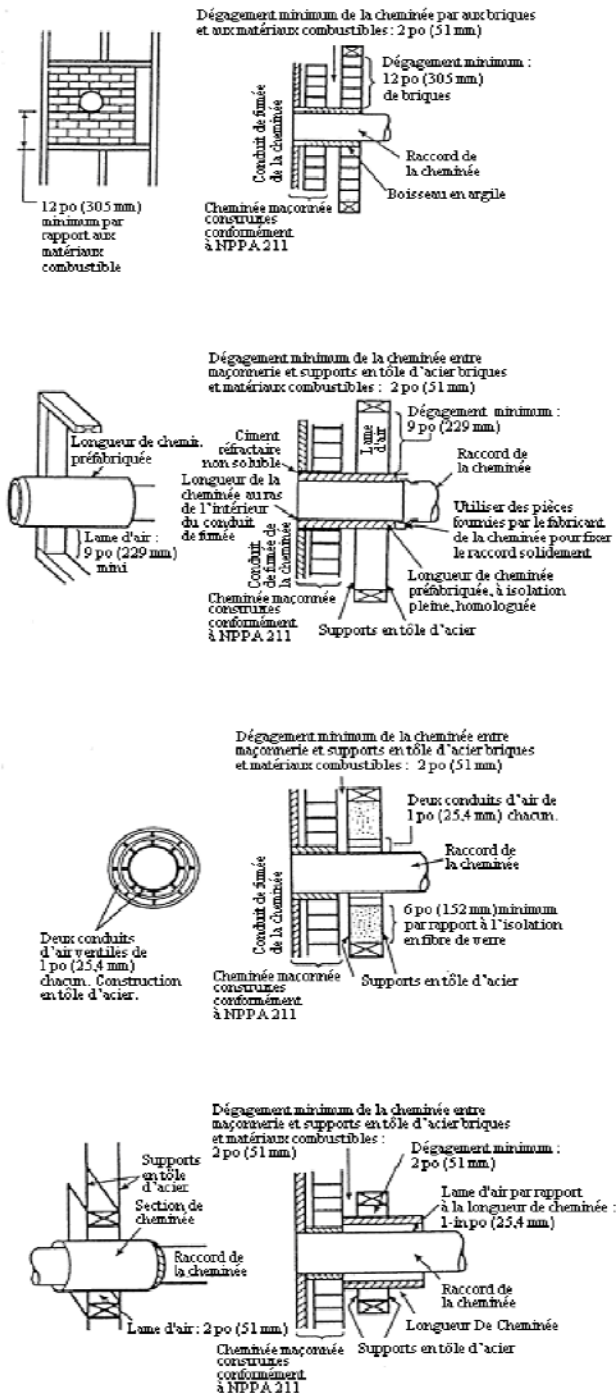
AVERTISSEMENT

- INSTALLEZ L'ÉVENT EN RESPECTANT LES DÉGAGEMENTS INDIQUÉS PAR LE FABRICANT DE L'ÉVENT.
- CHAUD! N'y touchez pas! Cela pourrait entraîner de graves brûlures ou l'inflammation des vêtements.
- La vitre et les autres surfaces sont chaudes durant le fonctionnement.

INSTALLATION

Traversées de mur

Raccords de cheminée et dégagements par rapport aux murs combustibles pour les appareils de chauffage résidentiels



A En brique maçonnées ayant une épaisseur minimale de 3,5 po entièrement encastrée dans le mur avec un cadre et ayant une séparation minimale de 12 po par des briques entre le boisseau en argile et les matériaux combustibles. Le boisseau en argile doit aller de la surface extérieure du mur en briques jusqu'à la surface intérieure de la gaine de la cheminée; il doit être cimenté fermement en place.

B Longueur de cheminée préfabriquée, à isolation pleine, homologuée, ayant le même diamètre intérieur que le raccord et ayant au moins 1 po de revêtement isolant avec une lame d'air minimale de 9 po entre le mur extérieur de la longueur de cheminée et les matériaux combustibles.

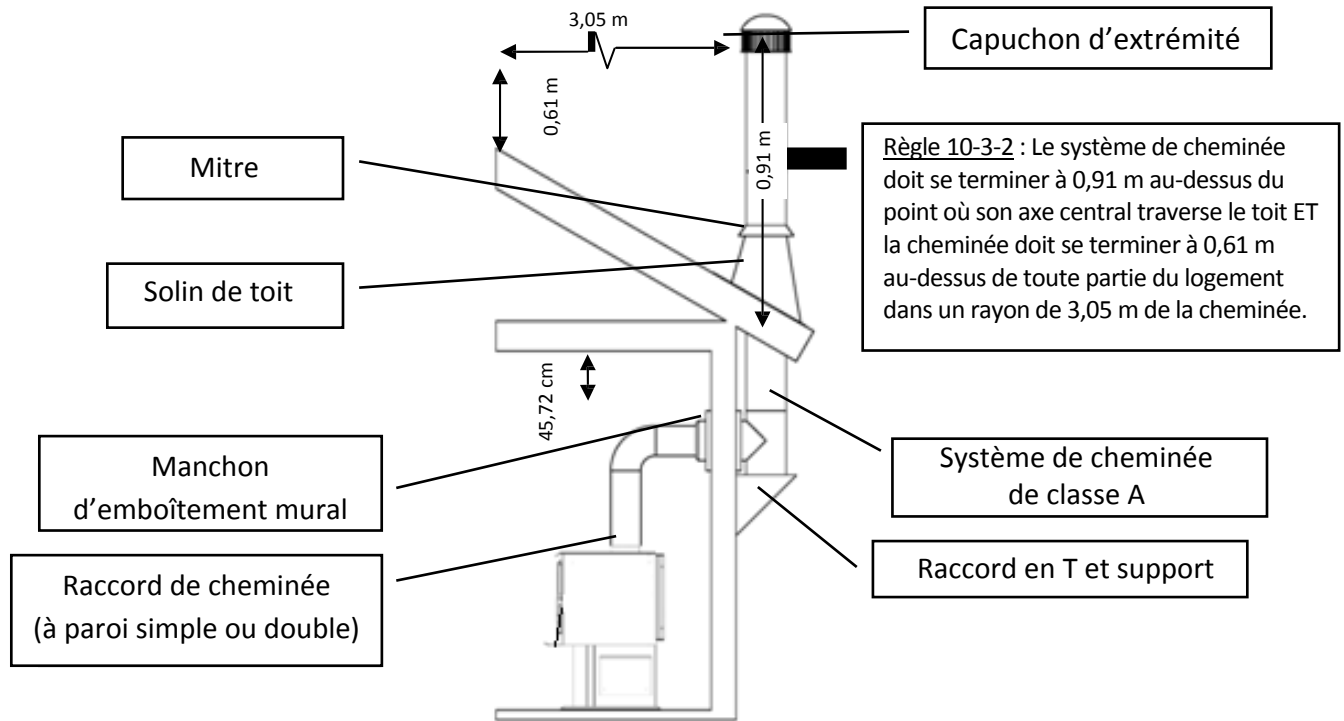
C Raccord de cheminée en tôle d'acier, d'épaisseur n° 24 au minimum, avec un manchon d'emboîtement ventilé, d'épaisseur n° 24 au minimum, ayant deux conduits d'air de 1 po, séparé des matériaux combustibles par de l'isolant en fibre de verre d'une épaisseur minimale de 6 po. L'ouverture doit obligatoirement être couverte, et le manchon d'emboîtement soutenu par un support en tôle d'acier d'épaisseur n° 24 au minimum.

D Longueur de cheminée préfabriquée, à isolation pleine, homologuée, ayant un diamètre intérieur 2 po plus grand que le raccord et ayant au moins 1 po de revêtement isolant, pour servir de gaine à un raccord à paroi simple en tôle d'acier, d'épaisseur n° 24 au minimum, avec une lame d'air minimale de 2 po entre le mur extérieur de la section de cheminée et les matériaux combustibles. La longueur minimale de la section de cheminée doit obligatoirement être une section de cheminée de 12 po espacée de 1 po du raccord au moyen de plaques support en tôle d'acier aux deux extrémités de la section de cheminée. L'ouverture doit obligatoirement être couverte, et la section de cheminée soutenue des deux côtés avec des supports en tôle d'acier solidement fixés aux surfaces des murs, d'épaisseur n° 24 au minimum. Les éléments servant à la fixation de la section de cheminée ne devront pas pénétrer la chemise de la cheminée.

Au Canada, l'installation doit respecter la norme CAN/CSA-8365 en cas de traversée de matériaux de construction combustibles.

INSTALLATION

Méthode de ventilation approuvée 1 : À travers le mur avec une cheminée préfabriquée

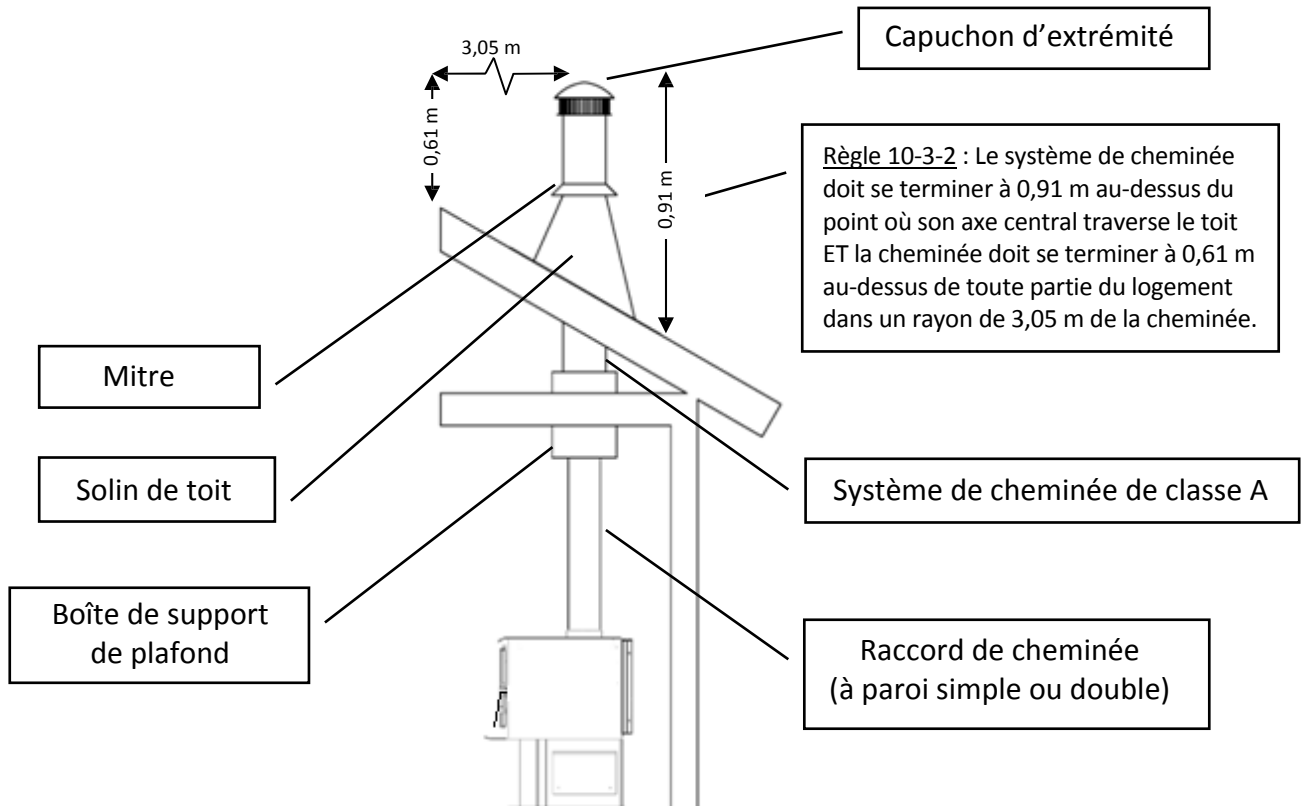


- Les systèmes de cheminée préfabriqués doivent respecter les normes ULC-S629 (650 °C) pour le Canada et UL-103HT (2100 °F) pour les États-Unis.
- Ce poêle à bois est homologué seulement pour une installation avec un raccord de cheminée de 15,24 cm de diamètre et un système de cheminée. L'installation de cet appareil sur une cheminée préfabriquée ayant un diamètre supérieur à 15,24 cm diminuera le tirage et pourrait entraîner un rendement insuffisant de l'appareil.
- Respectez toutes les exigences du fabricant concernant l'installation du système de ventilation et les distances minimales nécessaires.
- Utilisez trois vis à tôle pour chaque joint de raccord de cheminée à paroi simple (vérifiez les recommandations du fabricant lors de l'utilisation d'un raccord de cheminée à paroi double).
- Percez trois trous dans la buse de l'appareil et fixez le raccord de cheminée à l'appareil au moyen de vis à tôle (les trous devraient généralement être préperçés dans la buse à l'usine).
- Fixez correctement le système de cheminée préfabriqué à la maison en respectant précisément les instructions du fabricant du système de cheminée préfabriqué.
- Évitez de trop nombreux coudes et parcours horizontaux, car ils réduiront le tirage et entraîneront une accumulation accrue de crésote. Les parcours horizontaux d'un raccord de cheminée ne doivent jamais dépasser 1,22 m et la longueur totale du raccord de cheminée ne doit pas dépasser 2,44 m.
- Des adaptateurs spéciaux et des raccords à glissement sont offerts pour éviter d'avoir à couper le raccord de cheminée à paroi simple. Un raccord de cheminée à paroi double doit être utilisé avec ces raccords à glissement, car il ne peut pas être coupé en longueur.

Veillez noter : Les schémas d'installation sont fournis à titre de référence uniquement et ne sont pas à l'échelle. Ils ne sont pas destinés à être utilisés comme des plans universels d'installation. Veuillez respecter toutes les exigences relatives au système de ventilation et aux distances minimales nécessaires avec les matières combustibles, et suivre tous les codes locaux.

INSTALLATION

Méthode de ventilation approuvée 2 : À travers le plafond

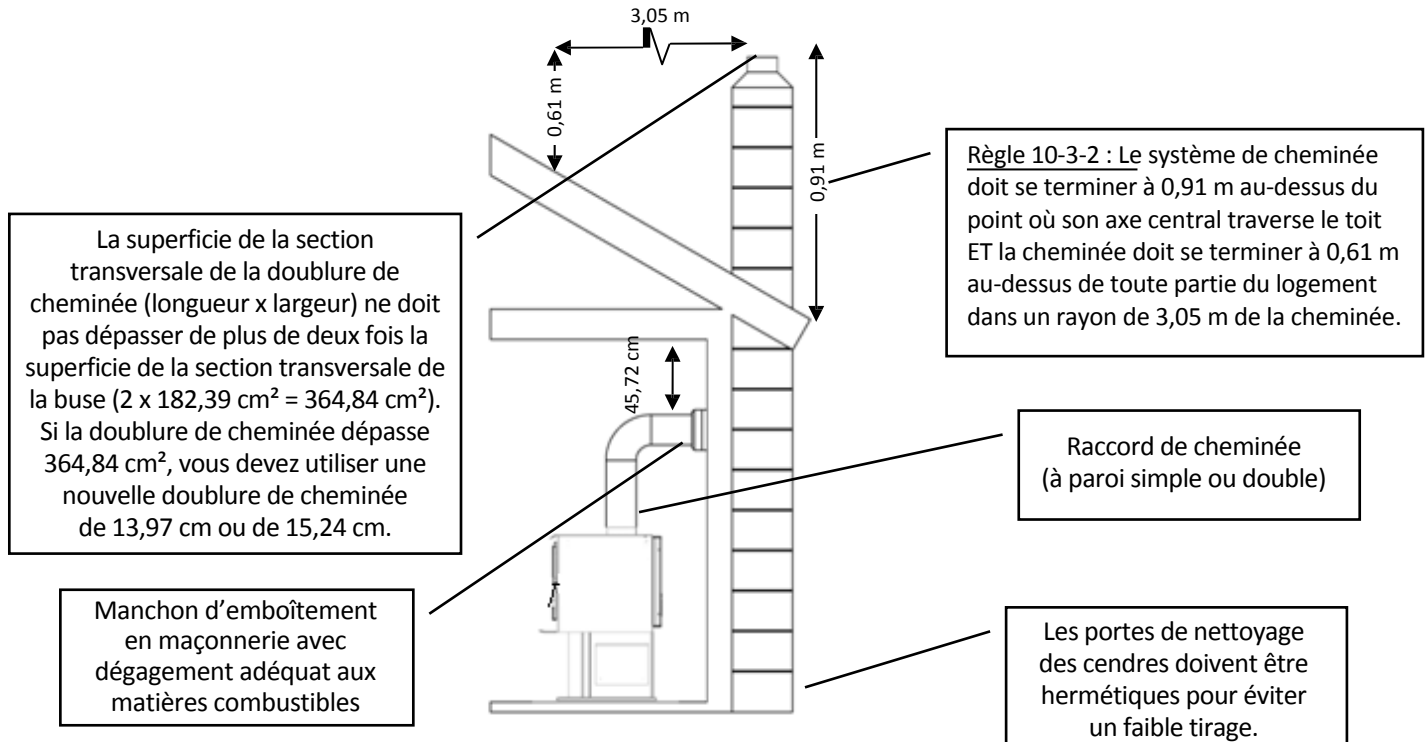


- Les systèmes de cheminée préfabriqués doivent respecter les normes ULC-S629 (650 °C) pour le Canada et UL-103HT (2100 °F) pour les États-Unis.
- Ce poêle à bois est homologué seulement pour une installation avec un raccord de cheminée de 15,24 cm de diamètre et un système de cheminée. L'installation de cet appareil sur une cheminée préfabriquée ayant un diamètre supérieur à 15,24 cm diminuera le tirage et pourrait entraîner un rendement insuffisant de l'appareil.
- Respectez toutes les exigences du fabricant concernant l'installation du système de ventilation et les distances minimales nécessaires.
- Utilisez trois vis à tôle pour chaque joint de raccord de cheminée à paroi simple (vérifiez les recommandations du fabricant lors de l'utilisation d'un raccord de cheminée à paroi double).
- Percez trois trous dans la buse de l'appareil et fixez le raccord de cheminée à l'appareil au moyen de vis à tôle (les trous devraient généralement être préperçés dans la buse à l'usine).
- Fixez correctement le système de cheminée préfabriqué à la maison en respectant précisément les instructions du fabricant du système de cheminée préfabriqué.
- La longueur totale du raccord de cheminée ne doit pas dépasser 2,44 m. Dans le cas d'un plafond cathédrale, le système de cheminée préfabriqué peut dépasser de 2,44 m à partir du dessus de l'appareil.
- Des adaptateurs spéciaux et des raccords à glissement sont offerts pour éviter d'avoir à couper le raccord de cheminée à paroi simple. Un raccord de cheminée à paroi double doit être utilisé avec ces raccords à glissement, car il ne peut pas être coupé en longueur.

Veillez noter : Les schémas d'installation sont fournis à titre de référence uniquement et ne sont pas à l'échelle. Ils ne sont pas destinés à être utilisés comme des plans universels d'installation. Veuillez respecter toutes les exigences relatives au système de ventilation et aux distances minimales nécessaires avec les matières combustibles, et suivre tous les codes locaux.

INSTALLATION

Méthode de ventilation approuvée 3 : Système de cheminée en maçonnerie intérieur ou extérieur



- Observez les règles indiquées ci-dessus concernant la dimension maximale admissible de la doublure de cheminée. L'installation de cet appareil sur une cheminée en maçonnerie dont la superficie de la section transversale dépasse $364,84 \text{ cm}^2$ diminuera le tirage et pourrait entraîner un rendement insuffisant de l'appareil.
- Utilisez trois vis à tôle pour chaque joint de raccord de cheminée à paroi simple (vérifiez les recommandations du fabricant lors de l'utilisation d'un raccord de cheminée à paroi double).
- Percez trois trous dans la buse de l'appareil et fixez le raccord de cheminée à l'appareil au moyen de vis à tôle (les trous devraient généralement être préperçés dans la buse à l'usine).
- Évitez de trop nombreux coudes et parcours horizontaux, car ils réduiront le tirage et entraîneront une accumulation accrue de crésote. Les parcours horizontaux d'un raccord de cheminée ne doivent jamais dépasser 1,22 m et la longueur totale du raccord de cheminée ne doit pas dépasser 2,44 m.
- Un manchon d'emboîtement hermétique est essentiel pour obtenir un rendement adéquat de l'appareil et rendre l'installation sécuritaire. Utilisez un adaptateur de conception adéquate pour relier le raccord de cheminée à paroi simple ou double au manchon d'emboîtement en maçonnerie.
- Avant d'utiliser l'appareil, faites inspecter la cheminée en maçonnerie existante afin de vous assurer que son utilisation est sécuritaire et que les distances minimales avec les matériaux combustibles sont respectées. Un ramoneur compétent peut effectuer cette inspection.
- Les cheminées en maçonnerie extérieures subissent souvent le contre-tirage d'air froid et ont un faible tirage même si elles respectent les règles de superficie de la section transversale. Dans ce cas, il peut être nécessaire d'utiliser une doublure isolée de 15,24 cm.

Veillez noter : Les schémas d'installation sont fournis à titre de référence uniquement et ne sont pas à l'échelle. Ils ne sont pas destinés à être utilisés comme des plans universels d'installation. Veuillez respecter toutes les exigences relatives au système de ventilation et aux distances minimales nécessaires avec les matières combustibles, et observer tous les codes locaux.

INSTALLATION

INSTALLATION DANS UN FOYER EN MAÇONNERIE

Préparation

Mesurez l'âtre pour vous assurer qu'il est d'une largeur suffisante pour loger l'appareil.

L'appareil doit avoir un dégagement de 91,44 cm entre la partie supérieure du poêle et le manteau de cheminée selon la norme 211 de la NFPA.

Pour les États-Unis : L'âtre doit dépasser d'au moins 406,4 mm à l'avant de l'ouverture pour le combustible.

Pour le Canada : L'âtre doit dépasser d'au moins 450 mm à l'avant de l'ouverture pour le combustible.

N'oubliez pas que ce type d'installation rend difficile le changement fréquent de vitesse du ventilateur. Nous vous recommandons de choisir une vitesse de ventilateur et de maintenir ce réglage, car il sera difficile de le modifier en raison de l'installation étroite.

AVERTISSEMENT : NE TENTEZ PAS DE RÉGLER LE VENTILATEUR DURANT LE FONCTIONNEMENT. VOUS RISQUEZ DE SUBIR DES BRÛLURES LORS DU CONTACT AVEC L'APPAREIL. ATTENDEZ QUE L'APPAREIL SOIT COMPLÈTEMENT REFROIDI AVANT DE RÉGLER LE VENTILATEUR.

Inspectez l'âtre pour vous assurer qu'il est fabriqué d'un matériau incombustible comme la brique ou la pierre. N'installez **pas** ce poêle sur un âtre fabriqué d'une charpente en bois couverte de briques ou de pierres et n'installez **pas** cet appareil dans un foyer dont le dégagement est nul (0). Le fabricant ne sera pas tenu responsable d'un accident causé par l'installation de ce poêle sur un âtre fabriqué avec un matériau combustible.

Inspectez votre foyer pour vous assurer qu'il est en bon état de fonctionnement et qu'il est exempt d'obstructions.

Avant l'installation, retirez le registre existant ou fixez-le à l'aide d'un câble pour le maintenir ouvert de façon sécuritaire.

Ventilation du poêle – raccordement direct

Lorsque cet appareil est raccordé directement, un tuyau de calibre 24 d'un diamètre de 15,24 cm doit être utilisé à partir du poêle jusqu'à l'ouverture du registre. **(REMARQUE : Le raccord de cheminée doit être fixé à l'appareil avec au moins trois (3) vis, et trois vis doivent être utilisées pour fixer chaque section adjacente.)**

Nous recommandons fortement l'utilisation d'une doublure de 15,24 cm sur l'ensemble de la cheminée pour assurer un tirage approprié. Il sera ainsi nécessaire d'obturer la zone ouverte des deux côtés du tuyau traversant l'ouverture du registre au moyen d'une tôle ou d'un isolant en fibre de verre à l'épreuve du feu dans les zones ouvertes (ni papier ni combustible). Vous devez vous assurer que le tirage de la cheminée s'effectue par le poêle et non autour du tuyau de raccord.

Nous vous recommandons fortement que cette opération soit effectuée par un professionnel. Communiquez également avec les autorités locales pour vous assurer que tous les codes sont observés.

INSTALLATION

AVERTISSEMENT

N'INSTALLEZ PAS CET APPAREIL DANS UNE CHAMBRE À COUCHER.

ATTENTION

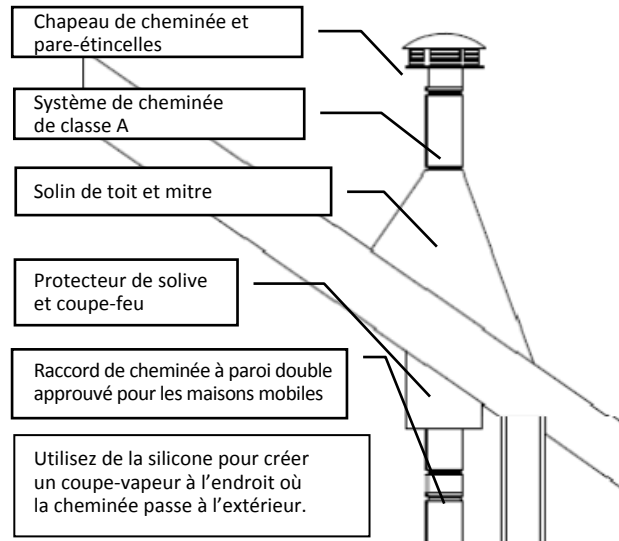
L'INTÉGRITÉ STRUCTURELLE DU PLANCHER, DES MURS, DU PLAFOND ET DU TOIT DE LA MAISON PRÉFABRIQUÉE DOIT ÊTRE PRÉSERVÉE.

Attention

NE TIREZ JAMAIS l'air comburant extérieur : d'une cavité d'un mur, d'un plancher ou d'un plafond, ou d'un espace clos comme un grenier, un garage ou un vide sanitaire.

Installation dans une maison mobile (ÉTATS-UNIS SEULEMENT, NON APPROUVÉE POUR UNE INSTALLATION DANS UNE MAISON MOBILE AU CANADA)

- Le poêle à bois **DOIT** être fixé au plancher de la maison mobile à l'aide de tire-fonds disposés dans les trous prévus à cet effet dans la partie inférieure de l'appareil. Utilisez un fil de cuivre n° 8 pour fixer le poêle au châssis de la maison mobile.
- Le poêle à bois doit être raccordé au système de cheminée à l'aide d'un raccord de cheminée à paroi double homologué UL pour l'utilisation dans une maison mobile ou préfabriquée.
- Observez attentivement toutes les indications relatives au dégagement mentionnées à la section appropriée du présent guide ET respectez les exigences du fabricant du système de ventilation concernant les distances minimales. De plus, assurez-vous que le système de ventilation est approuvé pour une utilisation dans une maison mobile.
- L'installation doit être conforme à la norme Manufacturers Home & Safety Standard (HUD) CFR 3280, partie 24, des États-Unis ainsi qu'aux codes locaux en vigueur.

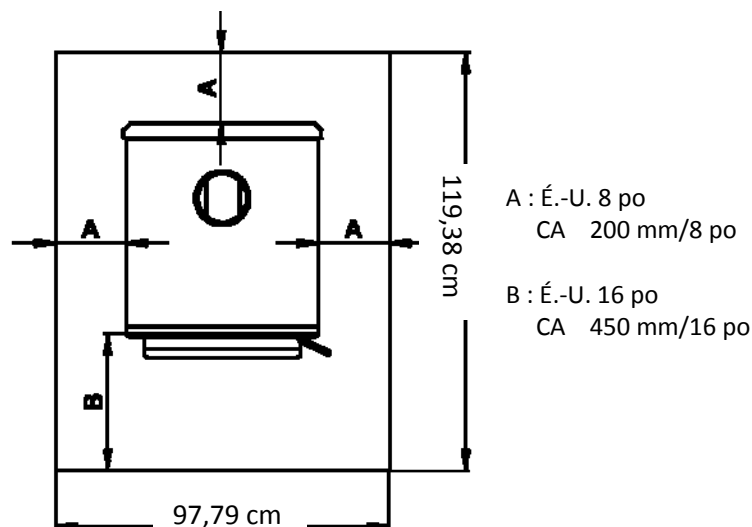


Air comburant extérieur

- L'utilisation de l'air comburant extérieur est **obligatoire** lors de l'installation de ce poêle à bois dans une maison mobile ou préfabriquée.
- Le tuyau de raccordement d'air extérieur dépasse de la partie inférieure centrale du poêle; une trousse est offerte par England's Stove Works, Inc. conçue pour raccorder cet appareil à l'air comburant extérieur. (N° de pièce AC-OAK3)
- S'il n'est pas possible d'utiliser la trousse de raccordement d'air extérieur AC-OAK3 pour l'installation de votre poêle, vous pouvez utiliser d'autres matériaux à condition d'observer les règles suivantes :
 - Le tuyau utilisé pour le raccordement d'air extérieur doit être en métal et avoir une épaisseur minimale de 0,53 mm. (acier doux de calibre 25) et un diamètre intérieur d'environ 7 cm.
 - Conservez la longueur de tuyau courte et utilisez une fixation sur chaque joint de tuyau.
 - Un écran ou un autre dispositif de protection doit être placé au point d'extrémité d'air extérieur afin d'éviter que la pluie, les débris ou les animaux nuisibles ne pénètrent dans le système de tuyauterie. Inspectez l'admission d'air comburant extérieur tous les mois pour éviter les blocages et l'accumulation de débris.

PROTECTION DU PLANCHER

- Dans le cas où le poêle à bois est installé sur un plancher combustible, il est nécessaire d'utiliser un protecteur de plancher contre les étincelles et les tisons conforme à la norme UL de type 1. Si le plancher sur lequel le poêle doit être installé est déjà incombustible (par exemple, le plancher en béton d'un sous-sol), aucun protecteur de plancher n'est requis (vous pouvez toutefois installer un protecteur de plancher décoratif).
- Lorsque vous utilisez un protecteur de plancher contre les étincelles et les tisons conforme à la norme UL de type 1, n'oubliez pas que le poêle est non seulement lourd, mais qu'il impose également des écarts de température au protecteur de plancher, ce qui peut endommager les carreaux et détacher les joints de mortier et de coulis situés près du poêle.
- Le protecteur de plancher contre les étincelles et les tisons doit être homologué UL ou l'équivalent (ULC au Canada) et doit être incombustible. Étant donné que la plus grande partie de la chaleur provenant de cet appareil est radiante, le protecteur de plancher sert uniquement à empêcher les cendres et les étincelles de tomber sur le plancher combustible près de l'appareil. Un tapis pour âtre n'est PAS approuvé pour remplacer un protecteur d'âtre approprié. Aucune valeur d'isolation thermique « R » n'est nécessaire.
- Pour les États-Unis : Le protecteur de plancher doit dépasser d'au moins 40,64 cm à l'avant de l'ouverture pour le combustible, de 20,32 cm sur les côtés de l'ouverture de porte et de 20,32 cm à l'arrière de l'appareil.
- Pour le Canada : Le protecteur de plancher doit dépasser d'au moins 450 mm à l'avant de l'ouverture pour le combustible, de 200 mm sur les côtés de l'ouverture de porte et de 200 mm à l'arrière de l'appareil.



- Le protecteur de plancher contre les étincelles et les tisons doit dépasser de 50,8 mm (2 po) de chaque côté des parcours de ventilation horizontaux et directement sous un tuyau de ventilation vertical.

ATTENTION

N'UTILISEZ JAMAIS D'ESSENCE, DE COMBUSTIBLE POUR LAMPE APPARENTÉ À L'ESSENCE, DE KÉROSÈNE, DE LIQUIDE D'ALLUMAGE POUR CHARBON, NI AUCUN LIQUIDE SIMILAIRE POUR ALLUMER OU RAVIVER UN FEU DANS CET APPAREIL DE CHAUFFAGE. CONSERVEZ DE TELS LIQUIDES ÉLOIGNÉS DE L'APPAREIL DE CHAUFFAGE LORSQUE CELUI-CI FONCTIONNE. DE PLUS, NE DISPOSEZ JAMAIS D'ALLUME-FEUX SUR UNE SURFACE CHAUDE NI SUR DES TISONS DANS LE POÊLE.

UTILISATION

Premiers feux

- Ce poêle à bois, conçu pour durer longtemps, est fabriqué en acier épais et en fonte. Cependant, pour éviter qu'une tension thermique excessive soit induite au métal pendant le premier feu, il faut trois petits feux de rodage, en s'assurant que chaque feu soit légèrement plus chaud que le précédent. Ces feux de rodage ne serviront pas seulement à acclimater le poêle aux températures élevées, mais ils aideront aussi à faire durcir lentement la peinture pour poêle résistant aux hautes températures, ce qui permettra au fini de qualité supérieure de durer plusieurs années.
- Ce poêle est muni d'une seule tige de commande d'air qui régularise le taux de combustion du bois. Lorsque le dispositif coulissant de commande d'air primaire est tiré complètement vers l'extérieur de l'appareil, le poêle chauffe plus lentement et fournit de la chaleur plus longtemps. À l'inverse, lorsque le dispositif coulissant de commande d'air est enfoncé complètement vers l'intérieur, l'appareil chauffe plus vite et fournit une chaleur plus intense sur une période relativement plus courte. N'essayez pas de modifier le réglage de commande d'air peu importe la raison.
- Le premier feu de rodage devrait être un grand feu de bois d'allumage permettant au poêle d'atteindre une température de 148,9 °C mesurée par un thermomètre magnétique du côté gauche ou droit du poêle, au-dessus de la porte. Une fois cette température atteinte, laissez le feu s'éteindre en gardant la commande d'air ouverte. Les deuxième et troisième feux de rodage devraient être un peu plus importants en ajoutant quelques petits morceaux secs au bois d'allumage. La température à atteindre pendant ces feux se situe entre 176,7 °C et 232,2 °C environ; ne laissez pas le feu dépasser cette température.

Utilisation continue

- Une fois les premiers feux de rodage terminés, cet appareil est prêt pour une utilisation continue. Lorsque le poêle fonctionne continuellement, ne laissez pas la cendre et les braises s'accumuler plus haut que le trou d'air dans le boîtier de crampon. Une quantité excessive de braises signifie souvent qu'une trop grande quantité de bois brûle à un taux de combustion trop élevé et vous devriez laisser le lit de braises brûler avant d'ajouter une nouvelle charge de bois au poêle.
- L'air comburant entre dans le poêle par deux endroits : La majorité de l'air comburant primaire entre dans la chambre de combustion par le système autonettoyant qui garde la vitre propre et alimente les flammes de combustion primaires sur les surfaces supérieures du bois. Une partie de l'air comburant primaire est acheminée dans le lit de braises par le trou de crampon situé dans le boîtier avant inférieur du poêle. (L'air est acheminé à partir du dessous de l'appareil.) Tous les efforts possibles doivent être déployés pour conserver la zone à l'avant de ce trou libre de cendres.
- Lors du remplissage du poêle pour une flambée de longue durée, il est très utile de faire un « V » au centre du lit de braises pour permettre au trou de purge d'air primaire de pousser l'air complètement à l'arrière de l'appareil.
- Après avoir rempli complètement la chambre de combustion du poêle avec une nouvelle charge de bois, il est important de faire fonctionner l'appareil avec la commande d'air en position d'ouverture complète afin de carboniser adéquatement la charge de bois et d'évacuer l'humidité initiale contenue dans la nouvelle charge. Une fois le bois bien carbonisé et allumé complètement, la commande d'air peut être réglée pour obtenir le niveau de chaleur souhaité.
- Cet appareil est muni également d'une nouvelle caractéristique. Lors du remplissage du poêle pour une flambée lente de longue durée, vous pouvez régler le registre de commande d'air pour permettre le chauffage de l'appareil et une bonne combustion avant de fermer la commande d'air en position faible. Tirez simplement vers l'extérieur la tige en position basse et tournez-la dans le sens des aiguilles d'une montre jusqu'à ce que vous entendiez un léger déclic (environ un quart de tour). Le registre se ferme automatiquement en temps opportun. Ceci s'applique pour les réglages en position faible et moyennement faible.

UTILISATION

- England's Stove Works, Inc. recommande toujours l'utilisation d'un thermomètre de poêle magnétique afin de surveiller la température de l'appareil. Lors de l'utilisation d'un thermomètre de poêle magnétique, installez-le au-dessus de la porte du côté gauche ou droit du poêle et utilisez les températures suivantes comme guide pour déterminer le taux de combustion et le degré de chaleur émise par le poêle :
 - Le fonctionnement normal du poêle à bois se situe entre 176,7 °C (350 °F) et 287,8 °C (550 °F). De 176,7 °C (350 °F) à 232,2 °C (450 °F), le degré de chaleur sera de faible à moyen et de 232,2 °C (450 °F) à 287,8 °C (550 °F), le degré de chaleur sera de moyen à élevé. Le fonctionnement du poêle à 315,6 °C (600 °F) serait la température maximale admissible pour une utilisation continue. L'utilisation du poêle à cette température avec un taux de combustion élevé pour de longues périodes pourrait l'endommager. Le fonctionnement de l'appareil à une température égale ou supérieure à 343,3 °C (650 °F) est considéré comme un emballement et endommagera l'appareil.
- Le ventilateur de convection de l'air en option a été conçu pour extraire un maximum de chaleur du poêle afin d'obtenir le meilleur transfert de chaleur possible dans la pièce. Étant donné que le ventilateur est si efficace à retirer de la chaleur de l'appareil, il est très important de le faire fonctionner seulement après qu'une nouvelle charge de bois a eu le temps de brûler pendant au moins 30 minutes. Le fait de laisser à une nouvelle charge de bois le temps de brûler avant d'utiliser le ventilateur permet à l'appareil d'atteindre une température de fonctionnement adéquate et permet au système de combustion secondaire de fonctionner correctement. Suivez également les directives ci-dessous pour connaître les vitesses appropriées du ventilateur.
- Lorsque vous utilisez le ventilateur de convection de l'air en option (n° de pièce AC-16 ou la nouvelle version AC-30), celui-ci doit fonctionner comme suit, selon le degré de chaleur :

Taux de combustion	Élevé	Moyennement élevé	Moyen	Moyennement bas	Bas
Vitesse du ventilateur AC-16	Élevée	Élevée	Basse	Basse	Basse
Vitesse du ventilateur AC-30	Élevée	Moyennement élevée	Moyenne	Moyennement basse	Basse

Créosote – Formation et importance du retrait

Lorsque le bois brûle lentement, il produit du goudron et d'autres vapeurs organiques qui se combinent à l'humidité évacuée pour former la créosote. Les vapeurs de créosote se condensent dans le conduit de fumée relativement froid lorsque le feu se consume lentement. Par conséquent, des résidus de créosote s'accumulent sur le conduit de fumée. Lorsqu'elle s'enflamme, cette créosote produit un feu extrêmement chaud. La cheminée et le raccord de cheminée doivent être inspectés au moins tous les deux mois pendant la saison de chauffage afin de vérifier si une accumulation de créosote s'est produite. En cas d'accumulation de créosote, celle-ci doit être retirée afin de réduire le risque de feu dans la cheminée.

**VOUS NE DEVEZ PAS UTILISER DE GRILLE NI SURÉLEVER LE FEU – INSTALLEZ LE BOIS DIRECTEMENT SUR L'ÂTRE
N'UTILISEZ PAS L'APPAREIL AVEC LA PORTE PRINCIPALE OUVERTE – VOUS RISQUERIEZ DE PROVOQUER UN EMBALLEMENT**

En cas de feu causé par une accumulation de créosote ou de suie (feu de cheminée), fermez la commande d'air située sur le poêle, communiquez avec le service d'incendie local et quittez les lieux! Ne versez pas d'eau sur le feu! Communiquez avec le service d'incendie local pour obtenir de plus amples renseignements sur la procédure à suivre et sur la méthode à utiliser relative à un plan d'évacuation sécuritaire pour vous et votre famille dans le cas d'un feu de cheminée.

UTILISATION

Consignes de sécurité supplémentaires

ATTENTION : Lorsque vous ajoutez du combustible au poêle, le ventilateur doit être éteint.

- L'installation de détecteurs de fumée est fortement recommandée lorsque vous installez cet appareil ou tout autre type d'appareil à combustible solide. Les détecteurs de fumée doivent être installés à une distance peu éloignée ou dans chaque pièce de la maison, plus particulièrement dans les chambres à coucher.
- Un détecteur de fumée peut être installé dans la même pièce que le poêle à bois enstéré. Toutefois, s'il est trop près de l'appareil, il pourrait émettre de fausses alarmes à cause des filets de fumée qui peuvent s'échapper à l'allumage du feu ou pendant le processus de rechargement. Pour cette raison, le détecteur de fumée installé dans la même pièce que l'appareil devrait être placé aussi loin de l'appareil que la pièce le permet.
- Ce poêle est conçu pour brûler seulement du bois enstéré. Ne faites jamais brûler du bois traité sous pression, du bois séché au séchoir, du bois traité à la créosote (traverses de chemin de fer), du bois humide ou couvert de glace, du bois vert, du bois de grève, du charbon de bois, du charbon, du coke ou tout autre combustible.
- Le fait de brûler d'autres combustibles que le bois enstéré et plus particulièrement le charbon et le charbon de bois peut entraîner des émanations de monoxyde de carbone à fortes concentrations dans l'habitation. Pour ces raisons, ne faites JAMAIS brûler du charbon ou du charbon de bois dans ce poêle à bois enstéré. L'installation d'un détecteur de monoxyde de carbone et la connaissance des symptômes d'un empoisonnement au monoxyde de carbone peuvent réduire les risques liés au monoxyde de carbone.
- Cet appareil est conçu pour fonctionner uniquement lorsque la porte de chargement est fermée et bien verrouillée. Le fonctionnement de cet appareil pendant que la porte de chargement est ouverte ou mal verrouillée causera l'acheminement vers le feu d'une quantité excessive d'air comburant, ce qui fera augmenter dangereusement la température de l'appareil. Une température élevée peut endommager l'appareil ou enflammer la créosote accumulée dans le système de cheminée par les feux à combustion lente précédents. En cas de température élevée, la garantie est annulée.
- Le tirage naturel qui tire l'air dans l'appareil et permet au feu de brûler utilise l'air intérieur du logement pour assurer la combustion, à moins que l'appareil ne soit raccordé à une source d'air comburant extérieur. Les hottes à évacuation de cuisinière, les fournaies et les autres appareils de circulation d'air dans la maison retirent aussi de l'air du logement. Si la quantité de filtration d'air ou d'air entrant dans la maison est supérieure à celle retirée de la maison, une pression négative peut se produire dans la maison.
- Étant donné que cet appareil fonctionne avec un tirage naturel, ce sera souvent le premier appareil touché par une pression négative. Si de la fumée est expulsée hors des joints de raccord de cheminée ou du système d'induction d'air de l'appareil, le poêle combat la pression négative du logement. L'ouverture partielle d'une fenêtre ou d'une porte près de l'appareil peut aider à égaliser la pression. Finalement, il pourrait être nécessaire d'ajouter une source d'air comburant extérieur dégagée pour assurer le fonctionnement adéquat de l'appareil.
- Si l'appareil est raccordé à l'air extérieur, assurez-vous de surveiller les accumulations de glace ou de neige pouvant bloquer l'entrée d'air extérieur du système de combustion. Pour éviter un manque d'air pour l'appareil, le raccord d'air extérieur de doit pas être obstrué.

N'ENTREPOSEZ PAS DE COMBUSTIBLES PLUS PRÈS QUE LES DÉGAGEMENTS SPÉCIFIÉS OU DANS L'ESPACE NÉCESSAIRE AU CHARGEMENT DU POÊLE ET AU RETRAIT DES CENDRES.

ENTRETIEN

Entretien quotidien

- Vérifiez l'accumulation de cendres dans la chambre de combustion. Retirez l'excès de cendres et suivez les instructions indiquées ci-dessous concernant l'élimination des cendres. Les cendres ne devraient pas s'accumuler dans le poêle au point de couvrir le trou du boîtier de crampon.

Entretien mensuel

- Vérifiez la présence d'une accumulation de poussière dans le ventilateur (s'il est installé). Vérifiez le bon fonctionnement de la poignée de porte et assurez-vous que la porte se ferme hermétiquement.
- Inspectez le système de cheminée et le raccord de cheminée, puis effectuez le ramonage au besoin. Même si le nettoyage n'est pas nécessaire tous les mois, inspectez TOUJOURS le système d'évacuation chaque mois pour réduire la possibilité d'un feu de cheminée.
- Faites une inspection visuelle des panneaux d'isolation en fibres de céramique de la chambre de combustion pour vérifier la présence de fissures ou de bris. Des fissures superficielles légères ne nuiront pas au rendement des panneaux, mais des panneaux fissurés ou effrités doivent être remplacés immédiatement.
- Faites une inspection visuelle des tubes de combustion secondaires pour vous assurer qu'ils ne sont pas fissurés, déformés ou corrodés. Même si ces tubes sont fabriqués en acier inoxydable, ils fonctionnent à des températures très élevées et peuvent finir par s'user lors d'une utilisation normale.

Entretien annuel

- Vérifiez la présence d'usure sur tous les joints d'étanchéité (fenêtre et porte) et assurez-vous qu'ils continuent de fournir une fermeture hermétique. Consultez la page suivante pour les instructions.
- Nettoyez à fond le système de cheminée et le système de raccord de cheminée. Étant donné que le raccord de cheminée est généralement soumis à des températures d'évacuation élevées, vérifiez la présence de fuites et de points faibles, puis remplacez les pièces dont l'état est douteux. (Dans le cas d'un système de cheminée complètement droit jusqu'au toit, assurez-vous de retirer les déflecteurs en fibres de céramique **avant** de pousser la brosse de ramonage dans la chambre de combustion. Le fait de frapper avec force sur la partie supérieure du déflecteur avec une brosse ou une tige de nettoyage peut endommager le déflecteur ou le détruire.)
- Retirez toute la cendre accumulée dans le poêle y compris celle accumulée sur la partie supérieure des déflecteurs de la chambre de combustion. Laissez le régulateur d'admission d'air ouvert pendant les mois sans chauffage pour permettre une circulation d'air dans le poêle afin d'aider à prévenir la corrosion. Un petit contenant ouvert rempli de litière pour chat placé dans le poêle peut aider à prévenir la corrosion pendant les mois humides de l'été. Pensez à retirer le contenant avant de faire un feu à l'automne.

L'ENTRETIEN INADÉQUAT DES JOINTS, Y COMPRIS LE NON-REMPACEMENT DES JOINTS, PEUT ENTRAÎNER DES FUITES D'AIR CAUSANT UN FEU NON MAÎTRISÉ DANS L'APPAREIL.

Élimination des cendres – Les cendres doivent être placées dans un contenant métallique avec un couvercle hermétique. Le contenant fermé rempli de cendres doit être placé sur un plancher incombustible ou sur le sol, loin de tous les matériaux combustibles, en attendant l'élimination finale. Si vous vous débarrassez des cendres en les enterrant ou en les dispersant, vous devez d'abord les conserver dans un contenant fermé jusqu'à ce que toutes les cendres soient complètement refroidies.

ENTRETIEN

Inspection des joints d'étanchéité

Il est essentiel que le joint de l'ouverture de porte soit étanche à l'air pour assurer le rendement adéquat du poêle. Toute fuite d'air dans cette zone peut entraîner un emballement et donc un risque grave pour la sécurité. Pour cette raison, vous devez toujours maintenir les joints d'étanchéité en bon état. Vous pouvez vérifier l'étanchéité des joints à l'aide de la méthode du « billet de banque » :

- Placez un billet de banque entre le joint d'étanchéité et le corps du poêle (à l'endroit où le joint touche le poêle).
- Fermez la porte et serrez-la, puis essayez de retirer le billet de banque. Si le billet de banque entre et sort facilement, vous devez remplacer le joint d'étanchéité. Répétez ce test sur tout le périmètre du joint d'étanchéité, car il peut être en bon état d'un côté, mais en mauvais état de l'autre.
- Effectuez ce test tout autour du périmètre de la porte et faites une inspection visuelle du joint d'étanchéité de la vitre pour vérifier la présence de fuites. Les fuites du joint d'étanchéité de la vitre peuvent généralement être détectées en suivant les traces de suie qui se déposent sur la vitre après un feu.
- Si le test est un échec pour l'une des zones, le joint d'étanchéité en entier doit être remplacé. Le numéro de pièce approprié du joint d'étanchéité à remplacer se trouve dans la section « Pièces illustrées » de ce guide.
- Les joints d'étanchéité doivent être remplacés uniquement par des joints d'étanchéité équivalents en fibres de verre, spécialement conçus pour cet appareil par England's Stove Works®.

Joints d'étanchéité

1. Porte – Cet appareil est muni d'un joint d'étanchéité cordé de 19,05 mm autour de la porte, qui doit être remplacé au moins tous les ans. Pour remplacer le joint d'étanchéité de la porte (n° de pièce AC-DGKNC), retirez d'abord le vieux joint en entier. Avant d'ajouter le nouvel adhésif, vous devrez peut-être gratter la vieille colle du montant de porte. Après avoir ajouté la colle et installé le joint, fermez et verrouillez la porte, puis laissez-la ainsi pendant 24 heures pour que la colle durcisse.
2. Fenêtre – Si vous remplacez le joint d'étanchéité de la fenêtre (n° de pièce AC-GGK), un des côtés du nouveau joint d'étanchéité sera déjà enduit de colle. Retirez d'abord le vieux joint d'étanchéité. Retirez ensuite le papier du côté adhésif et placez le joint d'étanchéité autour du bord extérieur de la vitre, centré sur le bord. Repliez les bords du joint d'étanchéité sur la vitre en formant un « U ».

Fini

Ce nouvel appareil a été peint avec une peinture résistant aux hautes températures qui devrait conserver son aspect d'origine pendant des années. Si l'appareil est mouillé et que des taches de rouille apparaissent, vous pouvez les poncer avec de la laine d'acier fine et repeindre l'appareil. Il est important de n'utiliser qu'une peinture en aérosol résistant aux hautes températures (n° pièce AC-MBSP), car les autres types de peinture pourraient ne pas adhérer à la surface ou ne pas supporter les températures élevées. De même, certaines marques de peinture n'adhèrent pas à certaines autres marques de peinture; par conséquent, nous vous recommandons fortement d'utiliser notre peinture en aérosol résistant aux hautes températures exclusive.

REEMPLACEMENT DES COMPOSANTS

Vitre

Cet appareil comporte un panneau en vitrocéramique (n° de pièce AC-G50) dans la porte vitrée. Un joint d'étanchéité de fenêtre autoadhésif est inclus avec les fenêtres de rechange achetées directement chez England's Stove Works. Ne remplacez jamais un composant en vitrocéramique par une vitre en verre trempé ou tout autre type de verre et ne faites jamais fonctionner cet appareil lorsque la vitre est fissurée ou brisée.

- Dimensions de la vitre : 323,85 mm x 425,45 mm (12,75 po x 16,75 po)
- Type de verre : Vitrocéramique de 5 mm (Keralite Pyroceram)
- Fabricant du verre : Eurokera

Précautions relatives à la vitre

1. Ne remplacez jamais la vitre en vitrocéramique par une vitre en verre trempé ou tout autre type de verre.
2. Ne faites jamais fonctionner cet appareil lorsque la vitre est fissurée ou brisée.
3. Ne claquez pas la porte et ne frappez pas la vitre avec un objet.
4. Ne faites pas le feu directement contre la vitre.

Nettoyage de la vitre

1. Assurez-vous que le poêle **et** la vitre sont complètement refroidis.
2. Il y a généralement peu de dépôts sur la vitre et ils peuvent habituellement être nettoyés avec de l'eau. Si de la suie tenace persiste, utilisez un nettoyant spécialement conçu pour l'enlever. Vous ne devez pas gratter la vitre ni la nettoyer avec un produit abrasif.
3. Rincez la vitre avec de l'eau propre et séchez-la avant de faire fonctionner le poêle à nouveau.

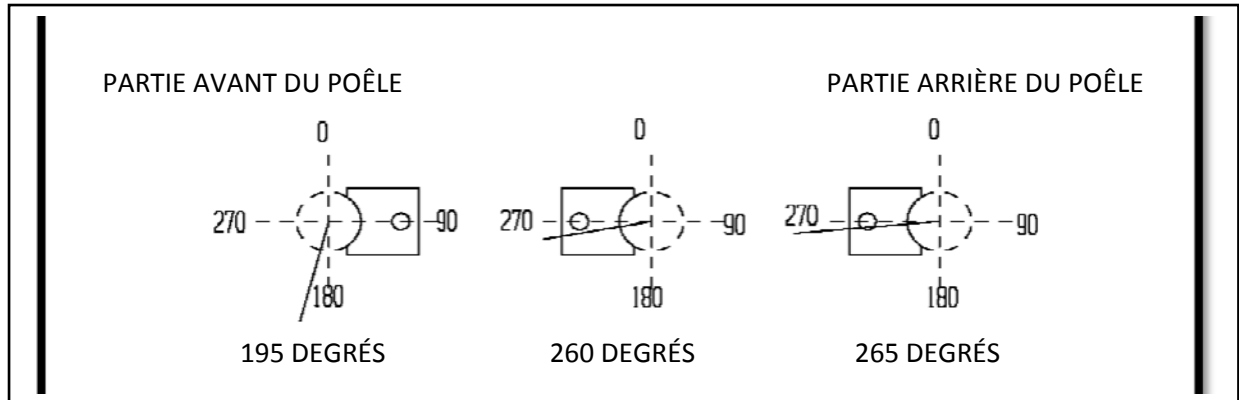
Remplacement de la vitre

1. Retirez la porte du poêle et placez-la sur une surface de travail solide, face vers le bas.
2. À l'aide d'une clé de 5/16 po, retirez les quatre vis de fixation du support de fenêtre.
3. Retirez les quatre pattes de fenêtre de la porte. Faites très attention pour éviter les éclats de verre si la fenêtre de verre est brisée.
4. Soulevez le vieux panneau de verre en le retirant de la porte, puis jetez-le.
5. L'emballage du panneau de verre doit contenir un joint d'étanchéité autoadhésif en fibre de verre (AC-GGK). Si vous avez acheté un nouveau verre, le joint d'étanchéité est déjà fourni avec l'emballage. Si vous réutilisez la même pièce de verre, retirez le vieux joint d'étanchéité et enlevez l'ancien adhésif d'enrobage de la pièce AC-GGK. Ce joint sert de coussin entre la vitre et la porte en fonte.
6. Réinstallez les pattes de retenue de la fenêtre à l'aide des quatre vis retirées précédemment. Ne serrez pas trop les vis.

REPLACEMENT DES COMPOSANTS

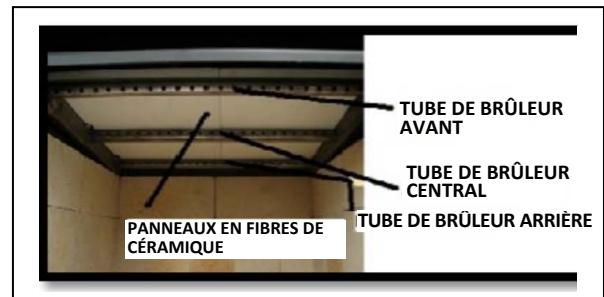
Remplacement du tube de brûleur

Trois tubes différents de brûleur se trouvent dans la partie supérieure du poêle. Pour remplacer un tube, assurez-vous de commander le tube qui correspond à celui que vous devez remplacer. Retirez ensuite la vis située du côté gauche du tube à l'aide d'une douille ou d'une clé à fourches de 5/16 po. Assurez-vous de conserver la vis. Poussez le tube vers la droite, puis retirez-le (en tirant le tube vers l'arrière et vers la gauche après avoir retiré le tube de ce côté de l'orifice). Pour remplacer le tube, inversez la procédure indiquée ci-dessus. Assurez-vous d'installer les tubes dans l'ordre adéquat. (De l'avant à l'arrière)



Remplacement du panneau en fibres de céramique

Pour remplacer un panneau fissuré ou brisé, retirez d'abord le tube de brûleur avant. Retirez ensuite le panneau que vous devez remplacer. Installez le nouveau panneau (les deux panneaux doivent être placés directement sur les tubes de bord à bord). Remplacez le tube retiré précédemment.



Charnières de porte

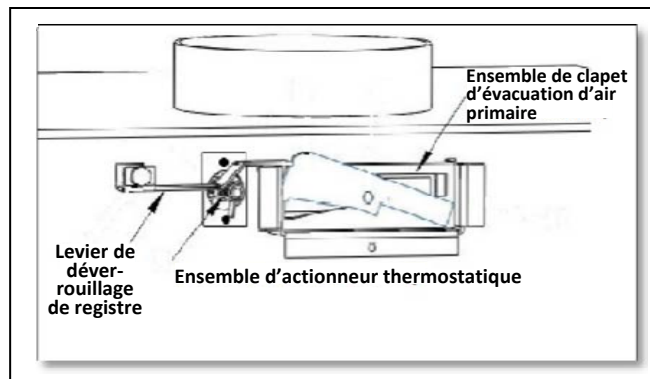
Les charnières de cet appareil sont réglables. Les plaques sont fixées à l'aide d'un boulon et d'un écrou de 1/2 po. Pour régler les plaques de charnière vers l'intérieur ou vers l'extérieur, retirez d'abord la porte, puis desserrez le boulon et l'écrou à l'aide d'une douille de 1/2 po et d'une clé à fourches de 1/2 po (une sur l'écrou et une sur la tête de boulon). Faites coulisser la plaque vers l'intérieur ou vers l'extérieur, puis serrez le boulon et l'écrou à l'aide de la douille et de la clé. * Soyez vigilant lors du réglage des charnières. Si vous ne laissez pas suffisamment d'espace pour le dégagement entre la porte et le côté de l'appareil, la charnière risque de se briser. *

Retrait de l'écran thermique et du panneau arrière (pour accéder aux autres composants)

Deux vis de 5/16 po se trouvent à l'arrière de l'écran thermique. Pour retirer l'écran thermique, enlevez les deux vis à l'aide d'une douille ou d'une clé à fourches de 5/16 po. Tirez ensuite l'écran thermique vers le haut et repoussez vers l'arrière le panneau arrière. Vous devez ensuite retirer trois vis de 5/16 po qui se trouvent à l'arrière du panneau. À l'aide d'une douille ou d'une clé à fourches de 5/16 po, retirez les trois vis. Il peut être nécessaire de soulever la partie supérieure du panneau à l'aide d'un tournevis à lame plate (au sommet du poêle). Soulevez le panneau et retirez-le du poêle.

Remplacement des autres composants :

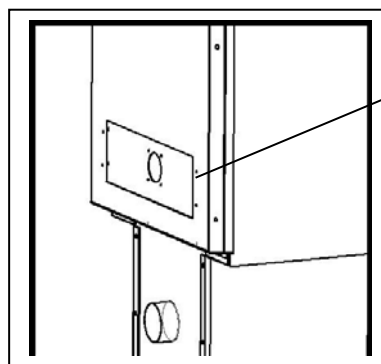
À ce point, vous pouvez accéder à l'ensemble de clapet d'évacuation d'air primaire, à l'ensemble d'actionneur thermostatique et au levier de déverrouillage de registre. Vous pouvez facilement remplacer ces composants. Toutefois, il ne devrait pas être nécessaire de les remplacer. Vous pouvez remplacer l'ensemble de clapet d'évacuation d'air primaire en retirant la petite poignée à ressort de la partie avant de l'appareil, puis en faisant glisser l'ensemble hors de l'appareil. Remplacez le composant en faisant glisser le nouvel ensemble dans le même trou et la tige dans la partie avant du poêle. Remplacez la poignée à ressort. Vous pouvez remplacer l'ensemble d'actionneur thermostatique à l'aide d'une douille de 15/16 po en retirant les deux vis qui retiennent l'ensemble. Installez le nouvel ensemble à l'aide des mêmes deux vis. Vous pouvez remplacer le levier de déverrouillage de registre en retirant le boulon de 1/2 po. Lors de la réinstallation du registre, assurez-vous qu'il est installé comme il était lors de la dépose.



ACCESSOIRES EN OPTION

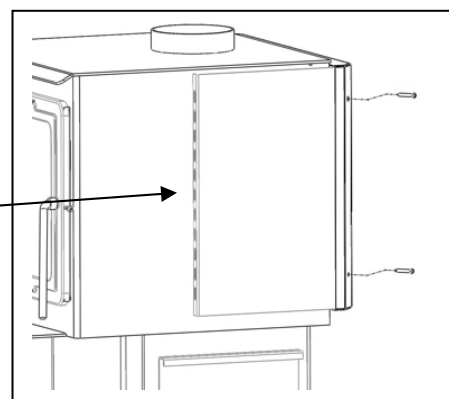
Ventilateur : Le poêle à bois a aussi été conçu pour une utilisation avec un ventilateur de convection pour assurer une circulation de chaleur supplémentaire. Le poêle est muni de profilés de convection qui permettent au ventilateur de pièce d'extraire la chaleur des zones les plus chaudes du poêle et de la transférer dans la maison. Les vis de montage du ventilateur sont installées dans le profilé de convection arrière à l'usine. Le montage du ventilateur n'exige qu'une douille ou une clé à fourches de 5/16 po pour retirer ces vis et installer le ventilateur. Lors de l'acheminement du cordon d'alimentation, prenez soin de le garder à l'écart des zones chaudes de l'appareil et n'oubliez pas que ce ventilateur ne doit être utilisé qu'avec le poêle. Consultez le schéma ci-dessous pour obtenir plus de précisions sur l'installation du ventilateur de pièce. Cet appareil peut utiliser le ventilateur AC-16 (offert de série avec l'appareil) ou la nouvelle version de ventilateur AC-30. Les deux versions sont installées à l'aide des quatre vis de 5/16 po posées à l'usine.

Le ventilateur de circulation de chaleur en option sur ce poêle nécessite un graissage périodique effectué au moins tous les trois mois en utilisation normale. Pour graisser de façon appropriée le ventilateur, utilisez un compte-gouttes oculaire ou un dispositif similaire pour appliquer de 5 à 7 gouttelettes d'huile SAE 20 dans l'orifice d'huile du côté du moteur du ventilateur.



(4) vis autotaraudeuses, tête de 5/16 po (préinstallées dans l'appareil).

Avertissement : Coupez l'alimentation électrique du ventilateur avant l'installation.



Écran thermique latéral (pièce AC-W01SHS) :

Installez l'écran thermique derrière le rebord latéral du panneau arrière. Alignez les deux trous de montage, puis fixez-le à l'aide des deux vis fournies.

DÉPANNAGE

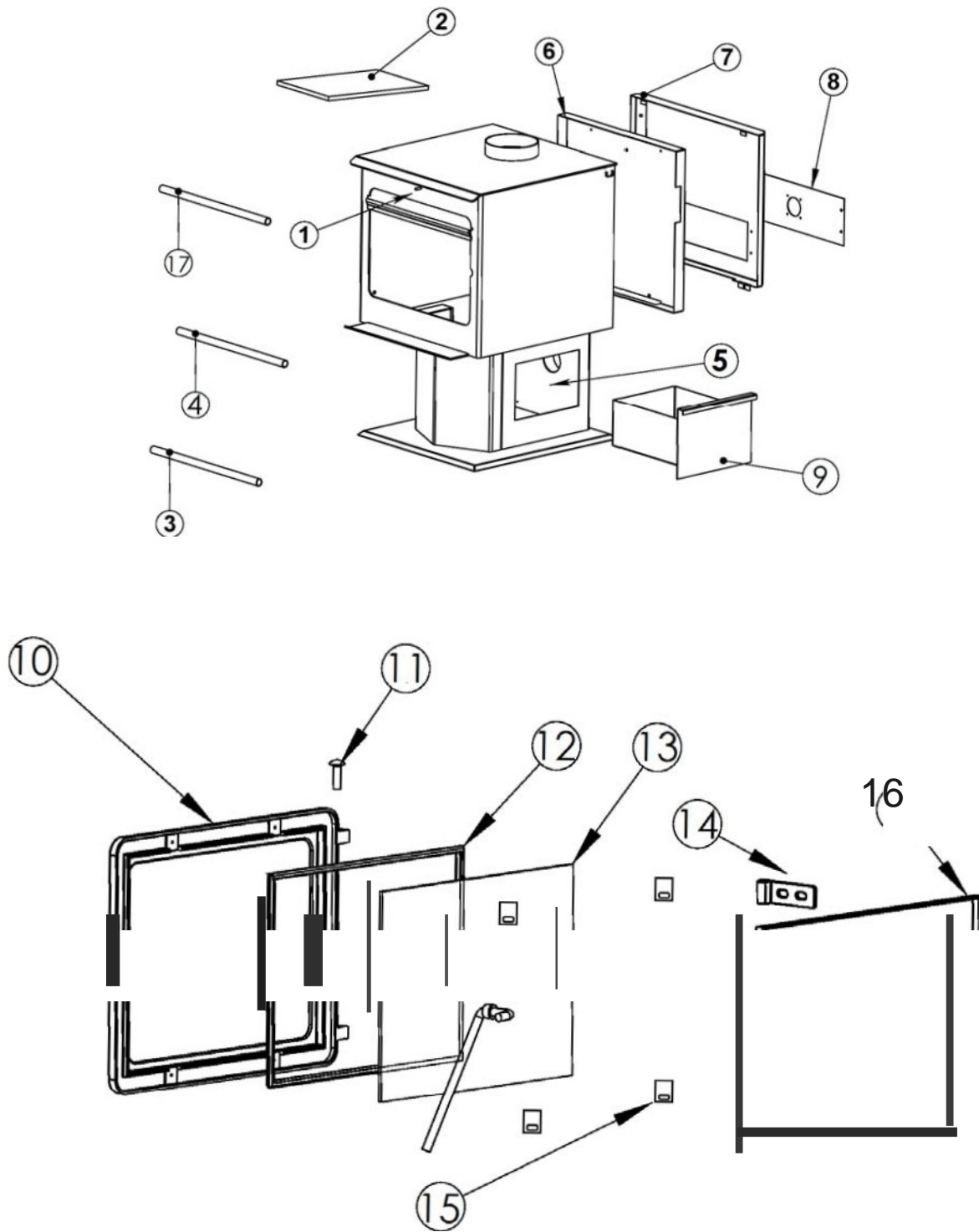
Problème	Cause	Solutions	
Le poêle émet de la fumée dans la pièce.	1. Tirage faible	1.1 Assurez-vous que la longueur de la cheminée est suffisante pour respecter la règle 10-3-2. 1.2 Augmentez la hauteur de la cheminée.	
	2. Pression négative dans le logement	2.1 Ajoutez un raccordement d'air comburant extérieur à l'appareil.	
Le feu est difficile à démarrer.	3. Tirage faible	3.1 Assurez-vous que la longueur de la cheminée est suffisante pour respecter la règle 10-3-2. 3.2 Augmentez la hauteur du système de cheminée.	
	4. Cheminée froide	4.1 Chauffez la buse en premier en brûlant du papier journal chiffonné dans le poêle. 4.2 Installez une chasse isolée autour des cheminées extérieures.	
	5. Contre-tirage dans la cheminée	5.1 Assurez-vous que la longueur de la cheminée est suffisante pour respecter la règle 10-3-2. 5.2 Essayez de chauffer la buse avec un séchoir à cheveux pour corriger le tirage.	
	La vitre est sale.	6. Bois humide ou vert	6.1 Brûlez seulement du bois qui a séché au moins un an et qui est sec, exempt de glace et de neige.
		7. Utilisation du poêle à un taux de combustion bas	7.1 Faites fonctionner le poêle à un taux de combustion plus élevé afin de permettre au système autonettoyant de conserver la vitre propre.
8. Le bois chargé est trop près de la vitre.		8.1 Ne chargez jamais le bois de sorte qu'il touche à la fenêtre en verre vitrocéramique.	
Accumulation de braises dans la chambre de combustion.	9. Utilisation du poêle à un taux de combustion élevé	9.1 Réduisez l'admission d'air comburant et permettez aux braises de brûler avant de rajouter du bois.	
Le feu est hors contrôle.	10. Tirage excessif	10.1 Réduisez la hauteur de la cheminée.	
	11. Fuite d'air	11.1 Inspectez les joints d'étanchéité de la fenêtre et de la porte et remplacez-les au besoin.	
	12. Bois de chauffage trop sec	12.1 Brûlez seulement du bois enstéré sec. Ne faites pas brûler du bois séché au séchoir ou du bois à palettes.	
La cheminée dégage une fumée excessive.	13. Utilisation du poêle à un taux de combustion bas	13.1 Faites fonctionner le poêle à un taux de combustion plus élevé pour activer la combustion secondaire.	
	14. Bois humide ou vert	14.1 Brûlez seulement du bois qui a séché au moins un an et qui est sec, exempt de glace et de neige.	
	15. Nouvelle charge de bois qui ne s'enflamme pas	15.1 Faites carboniser la nouvelle charge de bois jusqu'à ce qu'elle s'enflamme complètement et que la combustion secondaire active se produise dans la chambre de combustion.	

LISTE DES PIÈCES DE RECHANGE

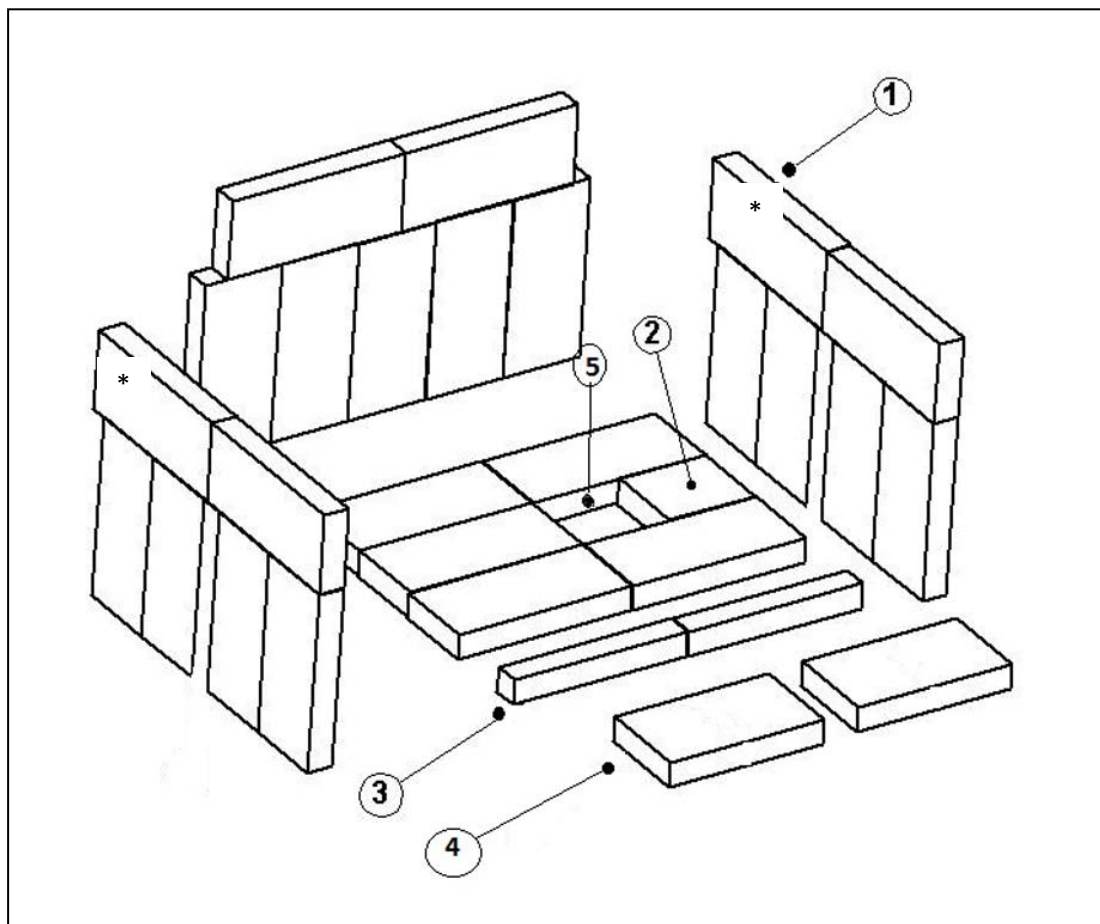
N° sur le schéma	Description	N° de pièce	Par unité
7	Écran thermique arrière (BOULONNÉ)	AC-W01HS	1
6	Panneau arrière (BOULONNÉ)	AC-W01RP	1
1	Ensemble de clapet d'évacuation d'air primaire	AC-W01PDA	1
Non illustré	Levier de déverrouillage de registre	AC-W01DRL	1
Non illustré	Ensemble d'actionneur thermostatique	AC-W01TAA	1
9	Tourmalin	AC-ADW01	1
10	Porte	CA-W01	1
14	Charnières de porte	AC-DHW01	2
Non illustré	Écrans thermiques latéraux	AC-W01SHS	2
Non illustré	Grand ventilateur nouvelle version (en option)	AC-30	1
Non illustré	Petit ventilateur de série	AC-16	1
12	Trousse de joint d'étanchéité de vitre plat de 19,05 mm	AC-GGK	1
16	Trousse de joint d'étanchéité de porte haute densité de 19,05 mm	AC-DGKHD	1
3	Tube de brûleur avant	AC-W01FBT	1
17	Tube de brûleur central	AC-W01MBT	1
4	Tube de brûleur arrière	AC-W01RBT	1
13	Dimensions de la vitre de	AC-G50	1
2	Panneau en fibres de céramique	AC-W01CFB	2
Non illustré	Petite poignée à ressort (nickel et laiton)	AC-SH4N/AC-SH4	1
Non illustré	Grosse poignée à ressort (nickel et laiton)	AC-SHN/AC-SH	1
8	Couvercle arrière du ventilateur	AC-BBC30	1
15	Languettes de vitre	AC-W01GT	4
11	Axes de charnière	AC-HP	2
Non illustré	Ensemble de raccord a l'air extérieur (en option)	AC-OAK3	1

POUR LA DISPOSITION DES BRIQUES ET LES NUMÉROS DE PIÈCE, CONSULTEZ LA PAGE 28.

SCHÉMA DES PIÈCES



DISPOSITION ET REMPLACEMENT DES BRIQUES



REMARQUE: Les briques sur les côtés et à l'arrière doivent être installés après l'accouplement
 * Top briques arrière de chaque côté peuvent ou non être entaillés . Si entaillé , commander le numéro de pièce AC- SBN1X3 .

NUMÉRO DE SCHÉMA	DIMENSIONS DES BRIQUES	NUMÉRO DE PIÈCE	QUANTITÉ PAR POÊLE
1	22,86 cm x 10,16 cm x 3,18 cm	AC-SB	24
2	11,43 cm x 10,16 cm x 3,18 cm	AC-SB4.5	1
3	22,86 cm x 5,08 cm x 3,18 cm	AC-SB9X1.25	2
4	19,69 cm x 10,16 cm x 3,18 cm	AC-SB7.75	2
5	Trappe a cendres	CA-30ADP	1



Intertek

Control No. XXXXXX

Modèles 15-SSW01, 50-SHSSW01, 50-TRSSW01
Appareil de chauffage à combustible solide; modèle autoportant
« ADAPTÉ POUR L'INSTALLATION DANS UNE MAISON MOBILE
(ÉTATS-UNIS SEULEMENT) »
Conforme à UL-1482 et ULC-627-00

Fabriqué par :
England's Stove Works, Inc.
589 S. Five Forks Rd.
Monroe, VA 24574, États-Unis

NUMÉRO DE SÉRIE	
DATE DE FABRICATION	

N'ENLEVEZ PAS ET NE COUVREZ PAS CETTE ÉTIQUETTE

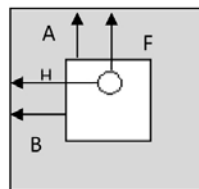
- PRÉVENEZ LES RISQUES D'INCENDIE DOMESTIQUES – INSTALLEZ ET UTILISEZ CET APPAREIL UNIQUEMENT CONFORMÉMENT AU MANUEL D'UTILISATION QUI L'ACCOMPAGNE.
- COMMUNIQUEZ AVEC LES AUTORITÉS LOCALES EN MATIÈRE DE CONSTRUCTION OU LE SERVICE D'INCENDIE POUR EN SAVOIR PLUS À PROPOS DES RESTRICTIONS ET DES INSPECTIONS D'INSTALLATION DANS VOTRE RÉGION.

EXIGENCES RELATIVES À L'INSTALLATION

- NE RACCORDEZ PAS CE POÊLE À UN CONDUIT DE FUMÉE DÉJÀ UTILISÉ POUR UN AUTRE APPAREIL.
- UTILISEZ UNE CHEMINÉE EN MAÇONNERIE DE TYPE RÉSIDENTIEL OU UNE CHEMINÉE FABRIQUÉE EN USINE HOMOLOGUÉE ULC-629 (CANADA) ET UL-103 HT (ÉTATS-UNIS).
- UTILISEZ UN RACCORD DE CHEMINÉE NOIR À PAROI SIMPLE DE CALIBRE 24 MSG OU UN RACCORD DE CHEMINÉE À PAROI DOUBLE HOMOLOGUÉ.
- CONSULTEZ LES CODES LOCAUX ET LES INSTRUCTIONS DU FABRICANT DE LA CHEMINÉE POUR CONNAÎTRE LES PRÉCAUTIONS NÉCESSAIRES SI VOUS FAITES PASSER UNE CHEMINÉE À TRAVERS UN MUR OU UN PLAFOND COMBUSTIBLE.
- POUR LES ÉTATS-UNIS : PLACEZ L'APPAREIL SUR UN PROTECTEUR DE PLANCHER CONTRE LES ÉTINCELLES ET LES TISONS INCOMBUSTIBLE CONFORME À LA NORME UL DE TYPE 1, QUI DÉPASSE DE 40,64 CM À L'AVANT ET DE 20,32 CM DE CHAQUE CÔTÉ DE L'OUVERTURE POUR L'ALIMENTATION EN COMBUSTIBLE.
- POUR LE CANADA : PLACEZ L'APPAREIL SUR UN PROTECTEUR DE PLANCHER CONTRE LES ÉTINCELLES ET LES TISONS INCOMBUSTIBLE CONFORME À LA NORME ULC DE TYPE 1, QUI DÉPASSE DE 450 MM À L'AVANT ET DE 200 MM DE CHAQUE CÔTÉ DE L'OUVERTURE POUR L'ALIMENTATION EN COMBUSTIBLE.
- RESPECTEZ LES DISTANCES MINIMALES INDIQUÉES DES COMBUSTIBLES LORSQUE VOUS UTILISEZ UN RACCORD DE CHEMINÉE À PAROI SIMPLE. CONSULTEZ LE MANUEL D'UTILISATION POUR EN SAVOIR PLUS SUR LES DISTANCES MINIMALES.
- UTILISEZ CET APPAREIL SEULEMENT LORSQUE LA PORTE EST FERMÉE ET BIEN VERROUILLÉE.
- LA PORTE DE CHARGEMENT PRINCIPALE EST MUNIE D'UNE FENÊTRE EN CÉRAMIQUE. NE CLAQUEZ JAMAIS LA PORTE ET NE FRAPPEZ JAMAIS CETTE FENÊTRE.
- SI LE VERRE EST FISSURÉ OU BRISÉ, REMPLACEZ-LE AVEC UN VERRE EN VITROCÉRAMIQUE SEULEMENT.
- CONFORME AUX EXIGENCES DE L'EPA EN MATIÈRE D'ÉMISSIONS DE PARTICULES POUR LES POÊLES À BOIS FABRIQUÉS APRÈS LE 1ER JUILLET 1990 EN VERTU DU RÈGLEMENT 40 CFR 60.533(H).
- PIÈCE EN OPTION – VENTILATEUR, NUMÉRO DE PIÈCE AC-30 (FASCO); CARACTÉRISTIQUES ÉLECTRIQUES : 115 V, 60 HZ, 0,8 A.
- PIÈCES EN OPTION – ÉCRANS THERMIQUES LATÉRAUX, NUMÉRO DE PIÈCE AC-W01SHS (ESW INC.).

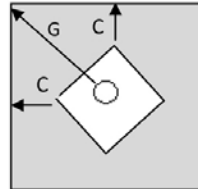
EXIGENCES RELATIVES À L'UTILISATION : UTILISEZ SEULEMENT AVEC DES COMBUSTIBLES SOLIDES (BOIS). ÉVITEZ L'EMBALLLEMENT DE CET APPAREIL. SI LE RACCORD DE L'APPAREIL DE CHAUFFAGE OU DE LA CHEMINÉE COMMENCE À ROUGEoyer, IL Y A EMBALLEMENT. INSPECTEZ ET NETTOYEZ FRÉQUEMMENT LA CHEMINÉE. DANS CERTAINES CONDITIONS D'UTILISATION, UNE ACCUMULATION DE CRÉOSOTE PEUT SE PRODUIRE RAPIDEMENT. VOUS NE DEVEZ PAS UTILISER DE GRILLE NI SURÉLEVER LE FEU. INSTALLEZ LE BOIS DIRECTEMENT SUR L'ÂTRE. RISQUE D'ÉCHAPPEMENT DE FUMÉE OU DE FLAMMES – UTILISEZ L'APPAREIL SEULEMENT LORSQUE LA PORTE EST COMPLÈTEMENT FERMÉE.

Paroi arrière et paroi latérale



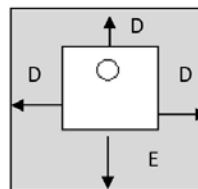
A = 190,5 mm (7,5 po)
D = 200 mm (8 po)
G = 482,6 mm (19 po)

Coin



B = 546,1 mm (21,5 po)
E = 450 mm (16 po)
H = 736,6 mm (29 po)

Protection de plancher



C = 241,3 mm (9,5 po)
F = 304,8 mm (12 po)



ATTENTION – CET APPAREIL DEVIENT CHAUD LORSQU'IL EST EN MARCHÉ. N'Y TOUCHEZ PAS. MAINTENEZ-LE À BONNE DISTANCE DES MEUBLES ET DES VÊTEMENTS ET HORS DE PORTÉE DES ENFANTS. LE CONTACT AVEC L'APPAREIL PEUT BRÛLER LA PEAU. CONSULTEZ LA PLAQUE SIGNALÉTIQUE ET LES INSTRUCTIONS.

Vous pouvez inscrire la date de fabrication et le numéro de série de votre appareil dans les espaces prévus à cet effet sur cette étiquette, pour référence ultérieure. Cette étiquette comprend également des renseignements de sécurité, comme la norme d'essai UL (ULC au Canada), à l'intention de vos représentants locaux ou de toute autre personne qui peut en avoir besoin.

GARANTIE LIMITÉE DE CINQ (5) ANS

À partir de la date d'achat par le propriétaire d'origine

La garantie limitée du fabricant couvre les éléments ci-dessous :

Cinq ans :

1. Les joints d'acier au carbone et les joints soudés du foyer sont garantis pendant cinq (5) ans contre la fissuration.
2. La porte et les charnières en fonte sont garanties pendant cinq (5) ans contre le fendillement.

Un an :

1. Les composants électriques, les accessoires, le verre et la surface peinte du poêle sont garantis pendant un (1) an à partir de la date d'achat.

Conditions et exclusions

1. Les dommages causés par un emballage annulent votre garantie.
2. Cette garantie ne s'applique pas si les dommages sont causés par un accident, une manipulation inappropriée, une installation inadéquate, une utilisation incorrecte, un usage abusif, une réparation non autorisée ou une tentative de réparation non autorisée.
3. Le fabricant n'est pas responsable des dommages indirects, accessoires ou consécutifs découlant du produit, y compris les coûts ou dépenses, la fourniture de matériel de rechange ou la réparation pendant les périodes de mauvais fonctionnement ou de non-utilisation du produit.*
4. Le fabricant déclinera toute responsabilité pour les dommages consécutifs en cas de violation de toute garantie écrite ou implicite.
5. Cette garantie ne couvre pas l'usure des pièces internes du système de combustion, y compris le revêtement en vermiculite de la chambre à combustion et les joints d'étanchéité.

Certains États ou certaines provinces ne permettent pas l'exclusion ou la limitation des dommages accessoires ou consécutifs, de sorte que les exclusions mentionnées ci-dessus peuvent ne pas s'appliquer à vous.

Procédure

L'acheteur doit soumettre une réclamation pour défaut pendant la période de garantie et payer le transport vers le centre de service et à partir du centre de service désigné par le fabricant. Le revendeur qui a vendu l'appareil ou le fabricant, à notre gré, effectuera la réparation sous garantie.

Autres droits

Cette garantie vous confère des droits précis. Il est possible que vous disposiez également d'autres droits, qui varient d'un État ou d'une province à l'autre.

Veillez noter : Cette garantie est nulle et non avenue si l'acheteur n'envoie pas la carte d'enregistrement de la garantie ci-jointe ET une copie du reçu de vente dans les trente (30) jours, à compter de la date d'achat.

Cette garantie est non transférable.

Avis important

Pour que la présente garantie soit valide, nous **DEVONS** recevoir et conserver dans nos dossiers cette information relative à l'enregistrement. Veuillez nous envoyer cette information dans les trente (30) jours suivant la date d'achat originale.

Il y a trois moyens faciles de nous faire parvenir cette information.

Adresse postale

England's Stove Works, Inc.
Technical Support Department
P.O. Box 206
Monroe, Virginia 24574,
États-Unis

Télécopieur

1 434 929-4810 – 24 heures par jour.

Enregistrement en ligne

Consultez notre page d'enregistrement de
la garantie sur notre site Web à :

<http://www.heatredefined.com>

**(LA CARTE DE GARANTIE SE TROUVE À LA PAGE
SUIVANTE.)**

ENREGISTREMENT DE LA GARANTIE sur les produits England's Stove Works®

Renseignements sur l'acheteur

I. Nom de l'acheteur _____

II. Adresse _____

III. Ville _____ État ou province _____ Code postal _____

IV. Numéro de téléphone _____

V. Courriel _____

Renseignements sur le détaillant

VI. Nom du détaillant _____

VII. Adresse _____

VIII. Ville _____ État ou province _____ Code postal _____

Renseignements sur l'appareil

* Veuillez consulter l'étiquette à l'arrière du guide ou de la boîte pour remplir cette section. IX. Numéro de modèle _____ Date d'achat _____

X. Prix d'achat _____

XI. Numéro de série _____ Date de fabrication _____

Questions relatives à l'achat

Comment avez-vous entendu parler de notre produit? (Veuillez cocher l'une des réponses suivantes.)

De bouche à oreille _____ Démonstration _____ Sur Internet _____

Autre : _____

À quel endroit vous a-t-on donné des renseignements sur notre produit?

Au téléphone _____ Chez un détaillant _____ Sur
(nom du détaillant) _____ Internet _____

Autre : _____

Respecte les limites d'émission de 2015 établies par l'Environmental Protection Agency des États-Unis en fonction de tests effectués à l'aide de combustible préassemblé (« crib wood ») pour les poêles à bois vendus après le 15 mai 2015.

RENSEIGNEMENTS SUR L'EPA

Les ajouts suivants à votre guide d'utilisation vous permettront de réduire au minimum les émissions produites par votre poêle à bois. Des conseils de sécurité importants vous sont également présentés.

- *Installation adéquate* – Veuillez consulter la section sur l'installation de votre guide d'utilisation et suivre les directives énoncées afin d'assurer la sécurité et de réduire au minimum les émissions.

Renseignements supplémentaires :

Généralités sur la ventilation :

Tirage : Le tirage désigne la force qui déplace l'air de l'appareil jusque dans la cheminée. La puissance du tirage dans votre cheminée dépend de la longueur de la cheminée, de la géographie locale, des obstructions à proximité et d'autres facteurs. Un tirage trop élevé peut entraîner des températures trop élevées dans l'appareil et endommager la chambre de combustion catalytique. Un tirage inadéquat peut entraîner un refoulement de fumée dans la pièce et obstruer la cheminée ou le catalyseur.

Un tirage inadéquat entraînera des fuites de fumée dans la pièce par les joints de raccord de l'appareil et de la cheminée.

Un taux de combustion incontrôlable ou une température trop élevée indique un tirage excessif.

Soyez conscient de l'emplacement de l'installation : un refoulement et d'autres problèmes de qualité de l'air peuvent survenir dans les vallées ou si l'appareil est installé à proximité d'habitations voisines.

Ce poêle à bois utilise un système de tirage naturel dans lequel le système de cheminée tire l'air dans le poêle. Cet appareil doit être installé conformément aux techniques de ventilation décrites en détail ci-après. Le non-respect des détails mentionnés pourrait réduire son rendement et causer des dommages matériels, des blessures ou la mort. Évitez d'avoir recours à des expédients lors de l'installation du système de ventilation. England's Stove Works n'est pas responsable des dommages causés par une installation incorrecte ou non sécuritaire.

Assurez-vous de bien suivre toutes les instructions du fabricant relatives au système de ventilation, surtout par rapport aux distances minimales nécessaires avec les matières combustibles. Assurez-vous également d'utiliser un écran antirayonnement de grenier afin d'éviter que l'isolant entre en contact avec une cheminée qui traverse un grenier.

Le système de cheminée est le « moteur » du poêle à bois. Il est donc essentiel que le système de ventilation soit installé exactement selon la description indiquée dans la section suivante afin d'assurer un fonctionnement adéquat de l'appareil.

Pour toute question relative à l'installation sécuritaire du poêle, appelez notre service de soutien technique au 1 800 245-6489. Communiquez avec un agent responsable local afin de vous assurer que l'installation est conforme aux exigences municipales et nationales en matière de prévention des incendies. Si vous n'êtes pas certain de pouvoir installer le poêle de façon sécuritaire, nous vous suggérons fortement de faire appel à un installateur local certifié par le NFI (National Fireplace Institute des États-Unis).

Consignes pour la ventilation :

- Installez **TOUJOURS** le tuyau de ventilation en respectant rigoureusement les instructions et les indications sur les dégagements qui accompagnent le système de ventilation.
- Ne raccordez **PAS** le poêle à bois à un conduit de fumée déjà utilisé pour un autre appareil.
- N'INSTALLEZ **PAS** un régulateur de tirage ni aucun autre dispositif de réglage dans le système d'évacuation par ventilation de cet appareil.
- **UTILISEZ** un manchon d'emboîtement mural homologué pour traverser un mur et un support de plafond ou un coupe-feu pour traverser un plafond.
- **INSTALLEZ** trois vis à tôle sur chaque joint de raccord de cheminée.
- **ÉVITEZ** de trop nombreux coudes et parcours horizontaux, car ils réduiront le tirage du système de ventilation, ce qui nuira au rendement du poêle.
- **INSPECTEZ** souvent le système de ventilation afin de vous assurer qu'il ne contient pas de crésote, de cendres volantes ou d'autres obstructions.
- **NETTOYEZ** le système de ventilation comme il est décrit dans la section sur l'entretien du présent guide.
- **RESPECTEZ** la règle 10-3-2 concernant les raccordements de la cheminée.
- **INSTALLEZ** le raccord de cheminée à paroi simple avec l'extrémité mâle **vers le bas** pour éviter les fuites de crésote. Suivez les instructions du fabricant de raccords de cheminée à paroi double concernant l'installation adéquate des tuyaux.

AVERTISSEMENT : Les surfaces du système de ventilation deviennent **CHAUDES** et peuvent causer des brûlures si vous les touchez. Il peut être nécessaire d'utiliser un revêtement ou des grilles de protection incombustibles.

Règle 10-3-2 : Le système de cheminée doit se terminer à 0,91 m (3 pi) au-dessus du point où son axe central traverse le toit ET la cheminée doit se terminer à 0,61 m (2 pi) au-dessus de toute partie du logement dans un rayon de 3,05 m (10 pi) de la cheminée.

- *Fonctionnement et entretien* – Consultez les sections sur le fonctionnement (mode d'emploi) et l'entretien (y compris le retrait et l'élimination des cendres) de votre guide d'utilisation et suivez les directives énoncées pour assurer la sécurité et réduire au minimum les émissions.

Renseignements supplémentaires :

Respectez les instructions de votre guide d'utilisation concernant l'allumage d'un feu afin de produire un feu approprié et de réduire les émissions visibles.

Plus :

- *Alimentation en combustible et réalimentation* : Conseils pratiques pour faire un feu – Consultez votre guide d'utilisation pour obtenir des renseignements sur l'alimentation en combustible (et la réalimentation) ainsi que sur les procédures d'allumage de feu (c.-à-d., faire un feu).
- *Allumage du haut vers le bas* : L'EPA reconnaît l'efficacité de la méthode d'allumage du haut vers le bas. Vous trouverez un bon tutoriel sur cette méthode au <http://woodheat.org/top-down-steps.html>. Pour allumer un feu du haut vers le bas, assurez-vous de suivre les instructions de votre guide d'utilisation et communiquez avec le service de soutien technique si vous avez des questions.

- *Sélection du combustible* : Lorsque votre appareil de chauffage au bois est correctement installé, vous devrez utiliser un bon bois de chauffage pour allumer un feu efficace (le bon bois en quantité suffisante) ainsi que connaître de bonnes méthodes d'allumage de feu. Les étapes pratiques suivantes vous aideront à tirer le meilleur rendement de votre poêle à bois ou foyer.
- Laissez votre bois sécher à l'extérieur tout l'été pendant au moins six mois avant de le brûler. Un bois correctement séché est plus foncé, présente des fissures sur le fil d'extrémité et sonne creux lorsque vous le cognez contre un autre morceau de bois.
- Conservez votre bois à l'extérieur, bien empilé sur le sol avec une protection au-dessus.
- Ne brûlez que du bois bien sec qui a été correctement fendu.
- Pour allumer un feu, utilisez uniquement du papier journal et du bois d'allumage, comme il est mentionné précédemment dans le guide.
- Faites des feux chauds.
- Pour maintenir une ventilation adéquate, retirez régulièrement les cendres de votre appareil de chauffage au bois dans un récipient en métal doté d'un couvercle que vous conserverez à l'extérieur.

Renseignements sur l'humidimètre

- Le bois de chauffage peut être brûlé lorsqu'il a une teneur en humidité de 10 à 25 %.
- Les bûches fraîchement coupées peuvent avoir une teneur en humidité de 80 % ou plus, selon l'essence du bois. Puisque le bois rétrécit, et peut également se fendre, se tordre ou autrement changer de forme en séchant, la plupart des bois doivent être séchés avant d'être utilisés. Le séchage à l'air est la méthode la plus fréquemment utilisée pour le bois enstéré. Dans la plupart des régions des États-Unis, la teneur en humidité minimale qu'il est possible d'obtenir par un séchage à l'air est d'environ 12 à 15 %. La plupart des matériaux séchés à l'air ont une teneur en humidité avoisinant 20 % lorsqu'ils sont utilisés.
- Pour vérifier la teneur en humidité de votre bois de chauffage, enfoncez simplement les tiges dans le bois et attendez la lecture de l'humidimètre. Souvenez-vous **de ne pas enfoncer les tiges de l'humidimètre uniquement dans les extrémités du bois de chauffage**. Pour obtenir une lecture précise, fendez la bûche et faites le test au centre. Le centre de la bûche contiendra la plus forte teneur en humidité.

À quelle distance dois-je enfoncer les tiges non isolées dans le bois?

- Jusqu'à une profondeur maximale, si c'est possible. Toutefois, à des taux d'humidité inférieurs à 10 %, il est généralement suffisant de créer un contact franc avec le bois. À des taux d'humidité supérieurs, et particulièrement si l'inclinaison est grande, une pénétration complète est essentielle.

- **COMBUSTIBLES À ÉVITER :**

MISE EN GARDE

- **N'UTILISEZ JAMAIS D'ESSENCE, DE COMBUSTIBLE POUR LAMPE APPARENTÉ À L'ESSENCE, DE KÉROSÈNE, DE LIQUIDE D'ALLUMAGE POUR CHARBON, NI AUCUN LIQUIDE SIMILAIRE POUR ALLUMER OU RAVIVER UN FEU DANS CET APPAREIL DE CHAUFFAGE. CONSERVEZ DE TELS LIQUIDES ÉLOIGNÉS DE L'APPAREIL DE CHAUFFAGE LORSQUE CELUI-CI FONCTIONNE. DE PLUS, NE DISEPOSEZ JAMAIS D'ALLUME-FEUX SUR UNE SURFACE CHAUDE NI SUR DES TISONS DANS LE POÊLE. N'UTILISEZ PAS DE PRODUITS CHIMIQUES NI DE FLUIDES**
 - **POUR ALLUMER LE FEU.**
- **NE FAITES PAS BRÛLER DE LIQUIDES INFLAMMABLES COMME DE L'ESSENCE, DU NAPHTA OU DE L'HUILE POUR MOTEUR.**
- **NE FAITES PAS BRÛLER DES DÉCHETS, DU GAZON COUPÉ OU DES RÉSIDUS DE JARDINAGE, DES MATÉRIAUX CONTENANT DU CAOUTCHOUC, Y COMPRIS DES PNEUS, DES MATÉRIAUX CONTENANT DU PLASTIQUE, DES DÉCHETS DE PRODUITS PÉTROLIERS, DE LA PEINTURE OU DU DILUANT À PEINTURE, DES PRODUITS BITUMINEUX, DES MATÉRIAUX CONTENANT DE L'AMIANTE, DES DÉBLAIS OU DES DÉBRIS DE CONSTRUCTION, DES TRAVERSES DE CHEMIN DE FER OU DU BOIS TRAITÉ SOUS PRESSON, DU FUMIER OU DES RESTES D'ANIMAUX, DU BOIS DE GRÈVE IMPRÉGNÉ D'EAU SALÉE OU DES MATÉRIAUX PRÉALABLEMENT SATURÉS EN EAU SALÉE, DES PRODUITS DE PAPIER, DU CARTON, DU CONTREPLAQUÉ OU DES PANNEAUX DE PARTICULES. L'INTERDICTION DE BRÛLER CES MATÉRIAUX NE VOUS EMPÊCHE PAS D'UTILISER DES ALLUME-FEU À BASE DE PAPIER, DE CARTON, DE SCIURE, DE CIRE OU D'AUTRES SUBSTANCES SEMBLABLES POUR ALLUMER UN FEU DANS LE POÊLE À BOIS. LA COMBUSTION DE CES MATÉRIAUX PEUT COMPROMETTRE L'EFFICACITÉ DU POÊLE ET PRODUIRE DE LA FUMÉE ET DES VAPEURS TOXIQUES.**

- **Pratiques de chauffage au bois sécuritaires**

Une fois que votre appareil de chauffage au bois est correctement installé, suivez ces directives pour assurer un fonctionnement sécuritaire :

- Conservez tous les articles de maison inflammables (draps, meubles, journaux et livres) loin de l'appareil.
- Pour allumer un feu, utilisez uniquement du papier journal, du bois d'allumage et un allume-feu entièrement naturel ou biologique. N'utilisez jamais d'essence, de kérosène ou d'allumoir à charbon pour allumer un feu.
- Ne brûlez pas de bûches humides ou vertes (non séchées).
- N'utilisez pas de bûches faites de cire ou de sciure de bois dans votre poêle à bois, car elles sont conçues pour des foyers ouverts. Si vous utilisez des bûches fabriquées, prenez celles qui sont faites de sciure de bois compressée à 100 %.
- Faites des feux chauds. Pour la plupart des appareils de chauffage au bois, un feu qui couve n'est ni sécuritaire ni efficace.
- Gardez fermées les portes de votre appareil de chauffage au bois sauf pour ajouter des bûches ou alimenter le feu. Des produits chimiques nocifs, comme le monoxyde de carbone, peuvent être libérés dans votre domicile.
- Retirez régulièrement les cendres de votre appareil de chauffage au bois dans un récipient en métal doté d'un couvercle. Rangez le récipient contenant les cendres à l'extérieur, sur une dalle de ciment ou de brique (et non pas sur une terrasse en bois ni à proximité de bois). Consultez les instructions sur le retrait des cendres dans le guide d'utilisation.
- Gardez un extincteur d'incendie à portée de la main.
- N'oubliez pas de consulter les prévisions locales sur la qualité de l'air avant d'utiliser votre poêle à bois.

- *Commande d'air* : CONSULTEZ VOTRE GUIDE D'UTILISATION pour obtenir plus de renseignements sur l'utilisation appropriée de la commande d'air (dans la section Fonctionnement).
- *RETRAIT DES CENDRES* – Suivez les instructions du guide d'utilisation concernant le retrait et l'élimination des cendres.
- *REMPACEMENT des pièces essentielles à un taux d'émission faible* – Suivez les instructions du guide d'utilisation concernant le remplacement des joints et des autres pièces essentielles à un taux d'émission faible.

Rappel : « Afin d'assurer le bon fonctionnement du poêle à bois, vous devez l'inspecter et le réparer périodiquement. En vertu des règlements fédéraux, il est interdit d'utiliser ce poêle à bois d'une manière non conforme au mode d'emploi indiqué dans le présent guide. »

Plus : Tubes de brûleur – Pour remplacer un tube, assurez-vous de commander le tube qui correspond à celui que vous devez remplacer. Retirez ensuite la vis située du côté gauche du tube à l'aide d'une douille ou d'une clé à fourches de 5/16 po. Assurez-vous de conserver la vis. Poussez le tube vers la droite, puis retirez-le (en ramenant le tube vers la gauche après avoir retiré ce côté de l'orifice). Pour remplacer le tube, inversez la procédure indiquée ci-dessus. Assurez-vous d'installer les tubes dans l'ordre adéquat. (Avant vers l'arrière)

- **Détecteurs de fumée**

England's Stove Works, Inc. recommande fortement l'utilisation de détecteurs de fumée dans chaque pièce de la maison. Cependant, le fait de poser un détecteur de fumée directement au-dessus de l'appareil pourrait causer des alarmes intempestives.

MISE EN GARDE

Cet appareil est conçu pour fonctionner uniquement lorsque la porte est fermée. L'utilisation du poêle avec la porte ouverte provoquerait un refoulement de fumée et une combustion lente et inefficace.

De plus, l'utilisation de combustibles interdits peut être dangereuse et produire un excès de monoxyde de carbone. Le monoxyde de carbone est un gaz mortel qui est inodore et incolore.

Il est fortement recommandé d'utiliser un détecteur de monoxyde de carbone.

- *Conformité* : « Ce poêle à bois non catalytique respecte les limites d'émission de 2015 établies par l'Environmental Protection Agency des États-Unis en fonction de tests effectués à l'aide de combustible préassemblé (« crib wood ») pour les poêles à bois vendus après le 15 mai 2015. »
- *Avertissement relatif aux modifications* : « Ce poêle à bois est doté d'un taux de combustion bas minimum réglé en usine qui ne doit pas être modifié. En vertu des règlements fédéraux, il est interdit de modifier ce réglage et d'utiliser ce poêle à bois d'une manière non conforme au mode d'emploi indiqué dans le présent guide. »
- *Garantie* : Consultez votre guide d'utilisation pour obtenir le formulaire d'enregistrement de la garantie et connaître les instructions relatives aux procédures de la garantie. Dans le cas des pièces, les procédures de remplacement au titre de la garantie se trouvent sur le site de notre magasin de pièces : www.store.heatredefined.com