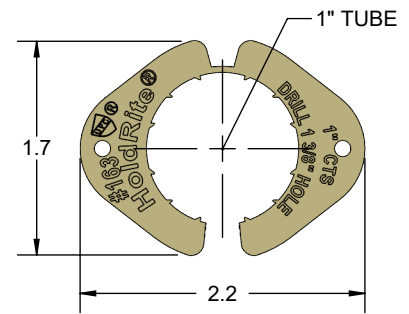
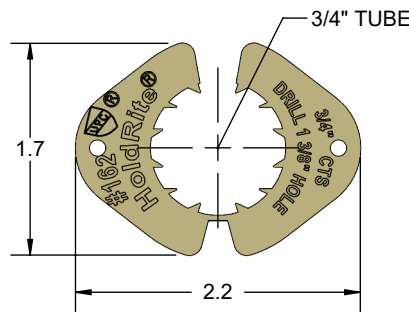
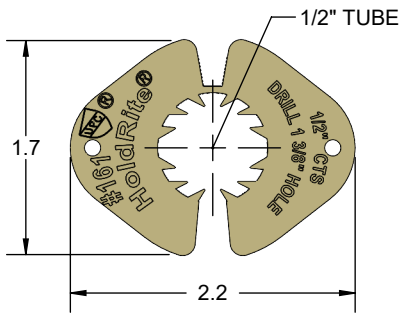
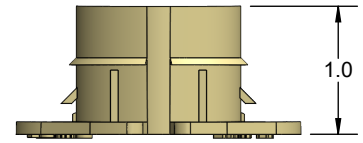
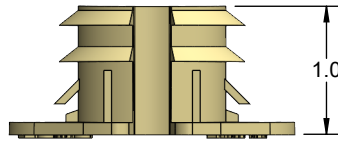
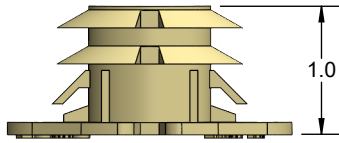


PRODUCT SPECIFICATION DRAWING

HOLDRITE® Through Stud Isolators



Model #	Tube Size
161	1/2"
162	3/4"
163	1"

HOLDRITE #161, #162 & #163 Through Stud Isolators are ideal for positioning 1/2", 3/4" & 1" CTS tubing (Copper, CPVC or PEX) passing through a 1-3/8" hole in wood or metal framing isolators. Also provide protection against damage caused by abrasion or contact between dissimilar metals.

Product Information:

- Material: LDPE
- Temperature range: -10° to +180°F
- Load rating: 25 lbs
- UPC / IPC / IAPMO listed

THIS INFORMATION IS PROPRIETARY TO RWC AND IS SUBJECT TO CHANGE WITHOUT NOTICE. IT MAY NOT BE REPRODUCED IN PART OR WHOLE WITHOUT WRITTEN AUTHORIZATION.



Product Submittal	
Job Name:	
Date:	
Part Number:	Qty:
Architect / Owner:	
Contractor:	
Notes:	