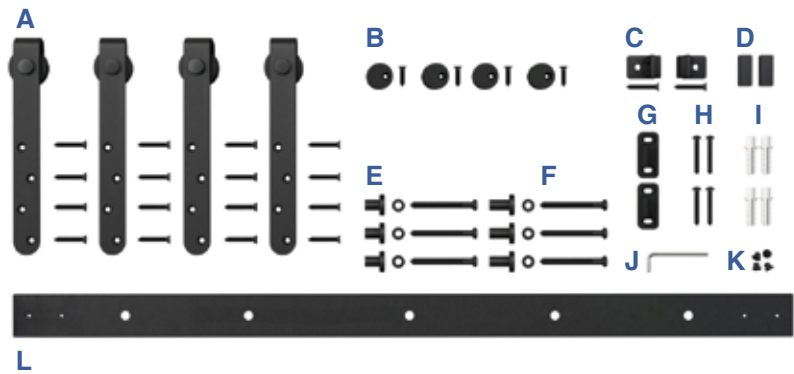


FURNITURE

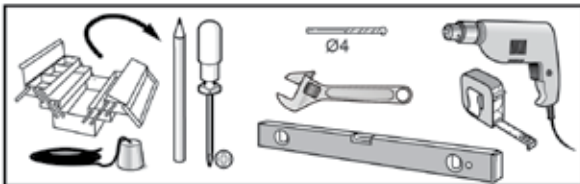
SLIDING DOOR HARDWARE

MODEL No. FSDH-STPKT-*4-DD

INSTALLATION MANUAL



TOOLS REQUIRED



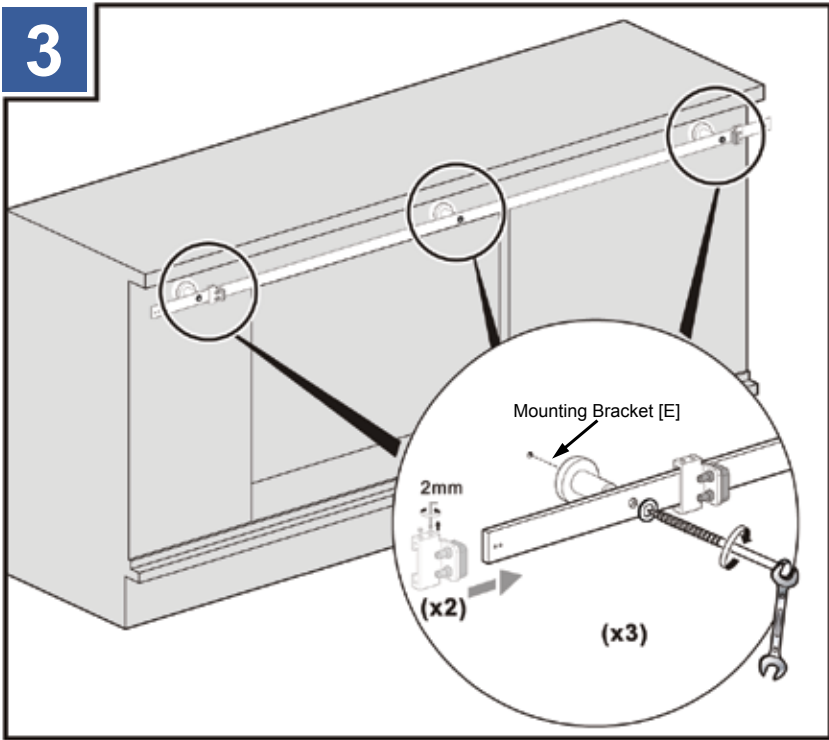
- Plumb Line
- Pencil
- Phillips Head Screwdriver
- 4mm Drill Bit
- Wrench
- Level
- Power Drill
- Tape Measure

INCLUDED IN KIT

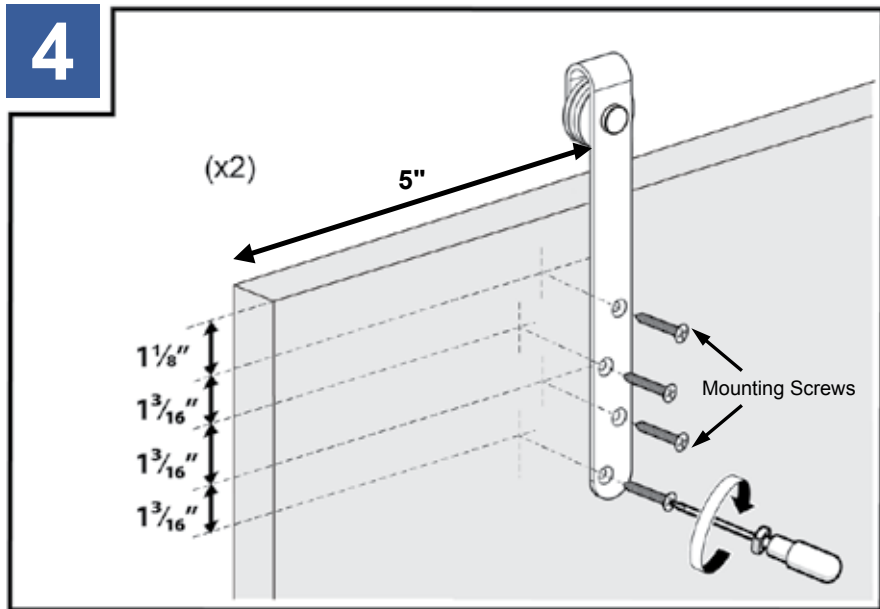
A	Door Roller Hardware	x4
B	Anti-Jump Disk	x4
C	Door Stop Hardware	x2
D	End Cap	x2
E	Mounting Bracket for 3/4" and 1" Doors	x3 ea.
F	M6x60 Bolt + Washer	x6
G	Routed Door Guide	x2
H	ST4.2x35 Screw	x4
I	Anchor	x4
J	1.5mm Allen Key	x1
K	Hole Cover	x4
L	48" Rail	x1

PLEASE NOTE: The installation manual is a suggested guideline. Adjustments may need to be made based on your specific application.

Outwater Industries, Inc. assumes no liability for improper installation.



Install the rail, and mounting brackets [E].

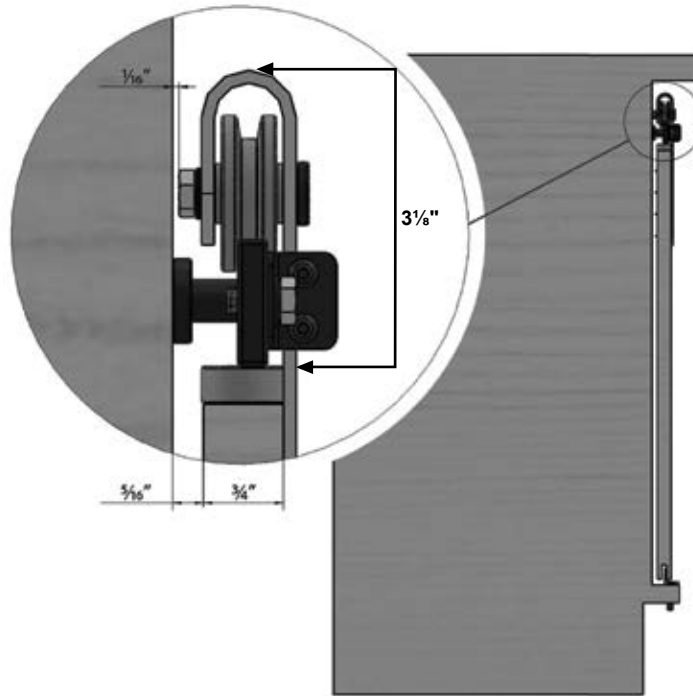


Drill holes into the doors as indicated. Attach the roller straps [A].

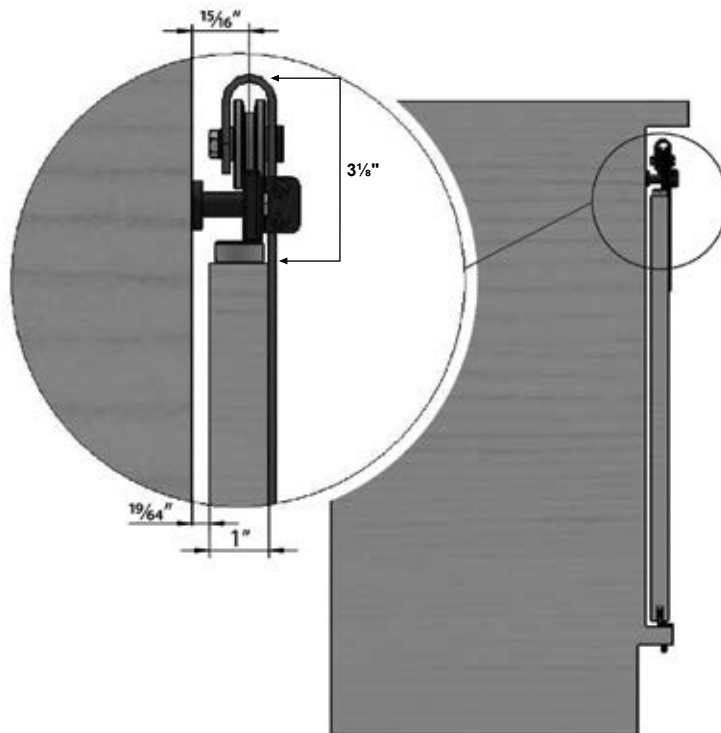
It is suggested that the roller straps [A] be mounted 5" from the edge of the doors to the neck of the roller straps.

NOTE: Trimming the rail will alter the position of the roller hardware. Adjust accordingly.

FOR 3/4" DOORS

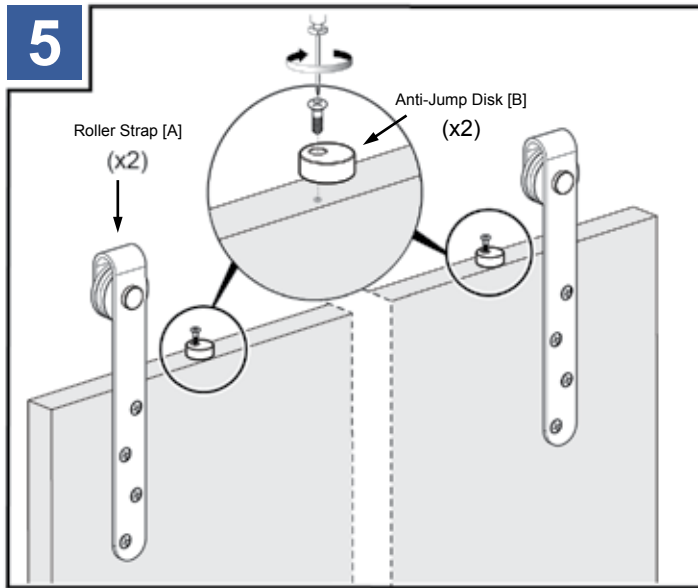


FOR 1" DOORS

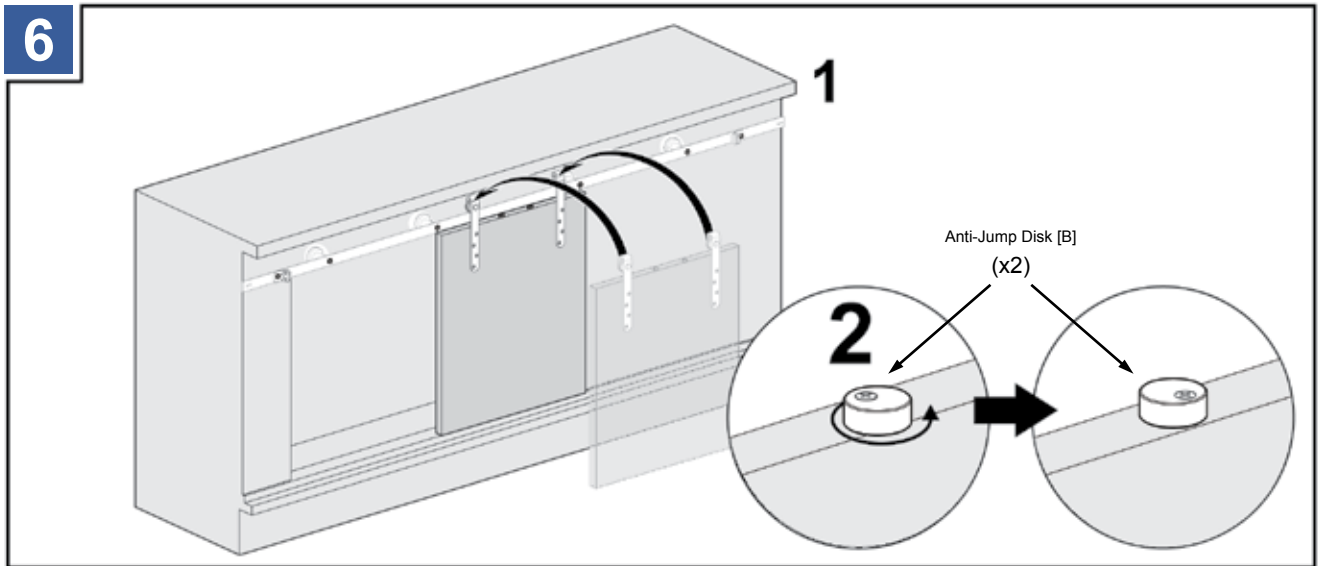


Allow a minimum 3-1/8" clearance above the doors.

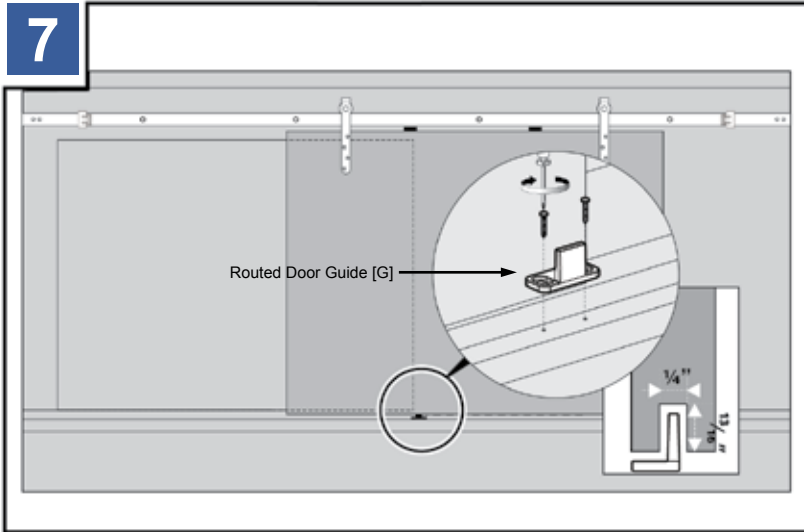
Outwater Industries, Inc. assumes no liability for improper installation.



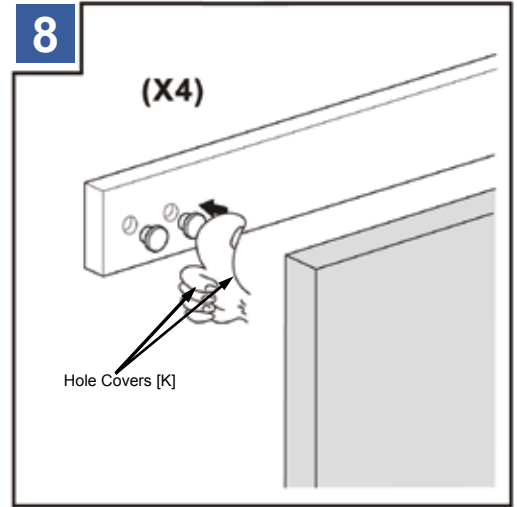
Attach the anti-jump disks [B] to the doors.



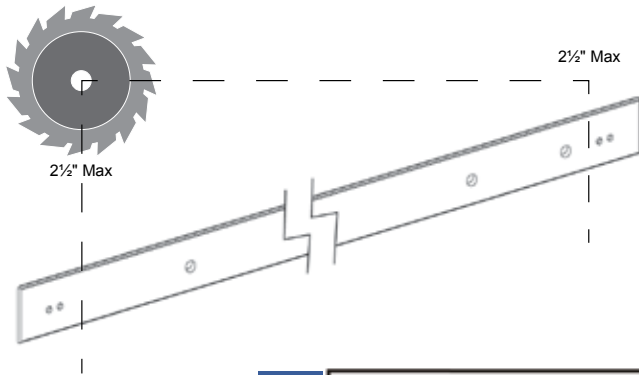
Attach the doors to the rail [L] and lock the anti-jump disks [B] into position. Doors should be routed beforehand if using the routed door guides [G].



If using the routed door guides [G], install them at this time. Repeat steps 4-7 for additional door.

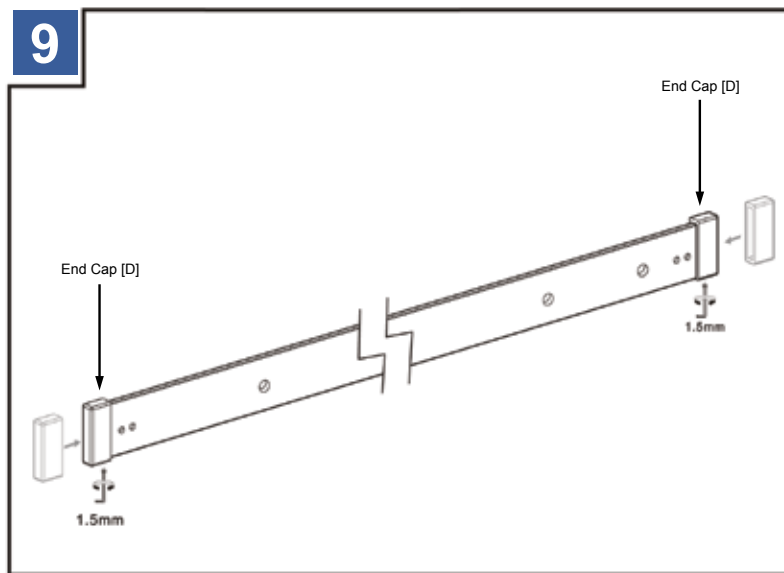


Use the hole covers [K] to give the rail a finished look.



The rail can be trimmed if necessary using a band saw or hacksaw. Use blades suitable for iron or stainless steel depending on your rail.

NOTE: If you are trimming the rail, do so equally. Each rail can be trimmed equally up to 2½" on both sides. However; trimming will alter the position of the roller hardware. Adjust accordingly.



Once cut, add the end caps [D] to the ends of the rail and secure with a set screw.