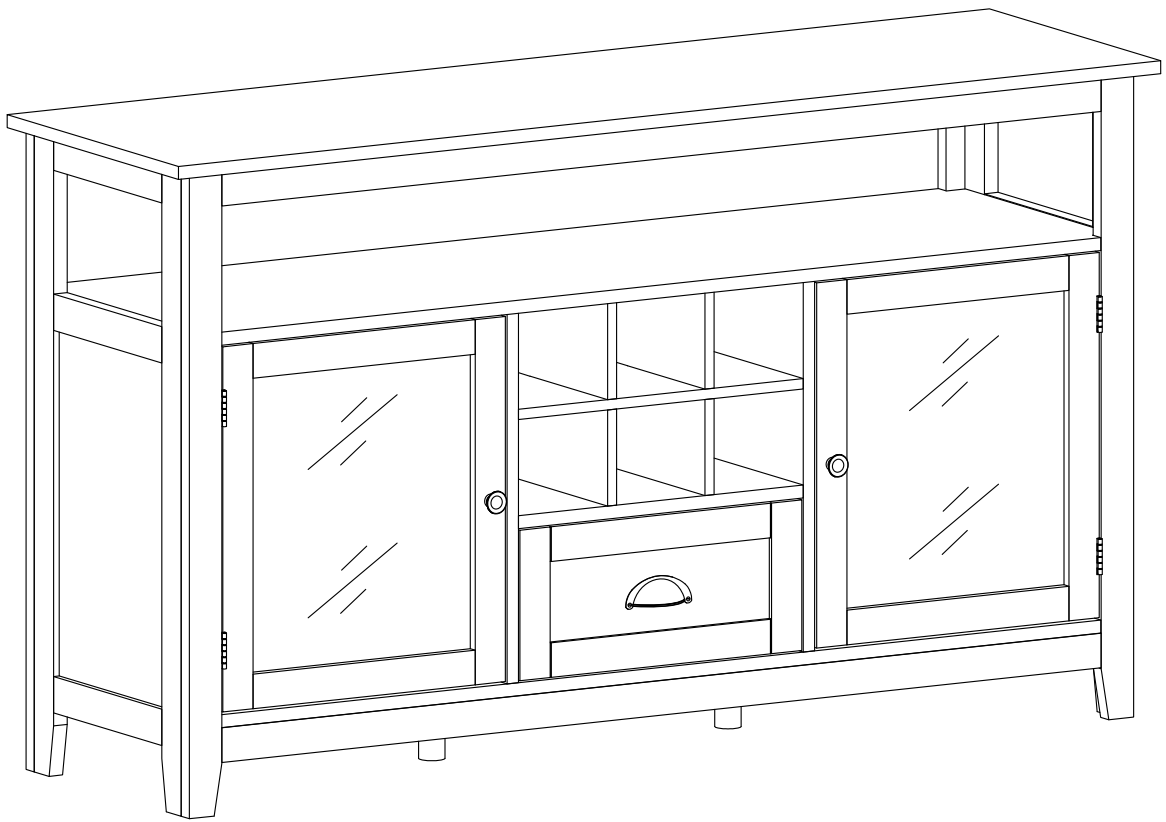
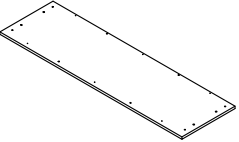
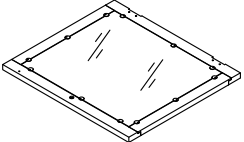
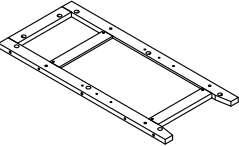
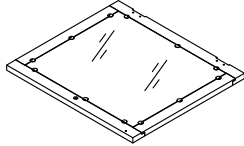
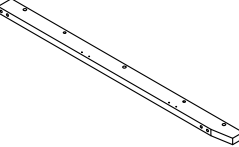
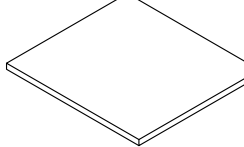
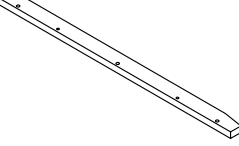
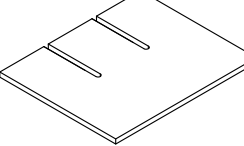
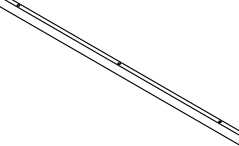
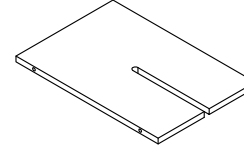
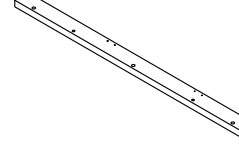

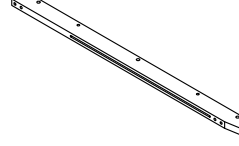
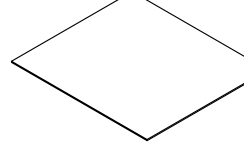
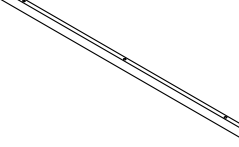
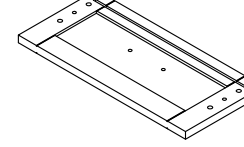
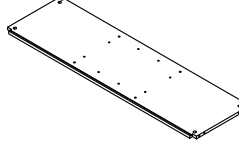
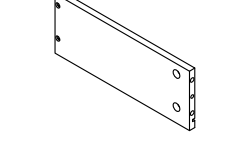
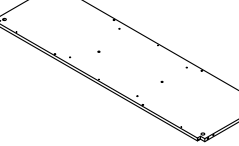
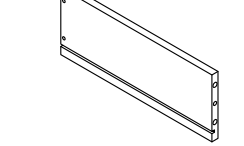
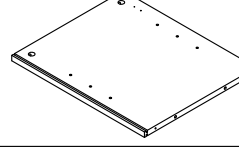
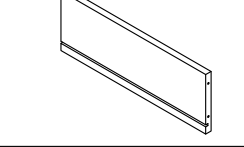
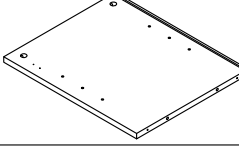
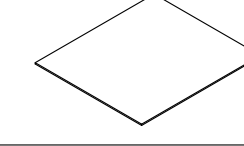
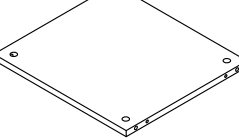
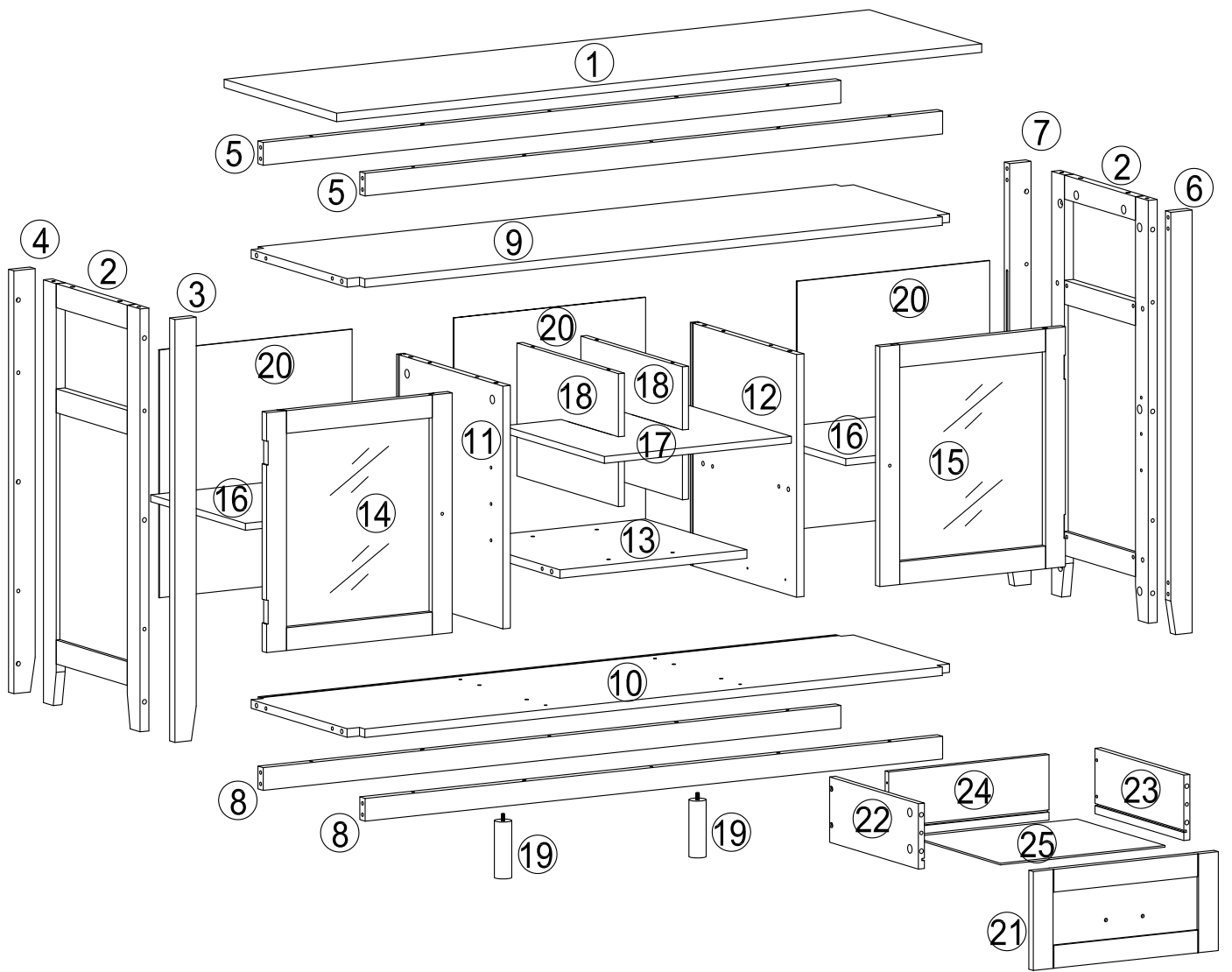
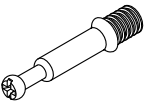


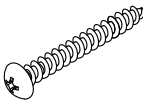

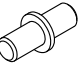



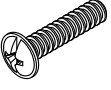
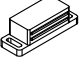


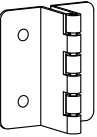


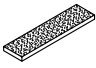

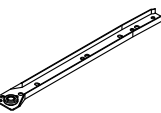
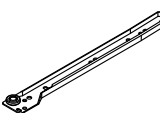
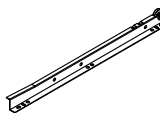
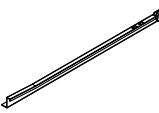


SKU:WF297880

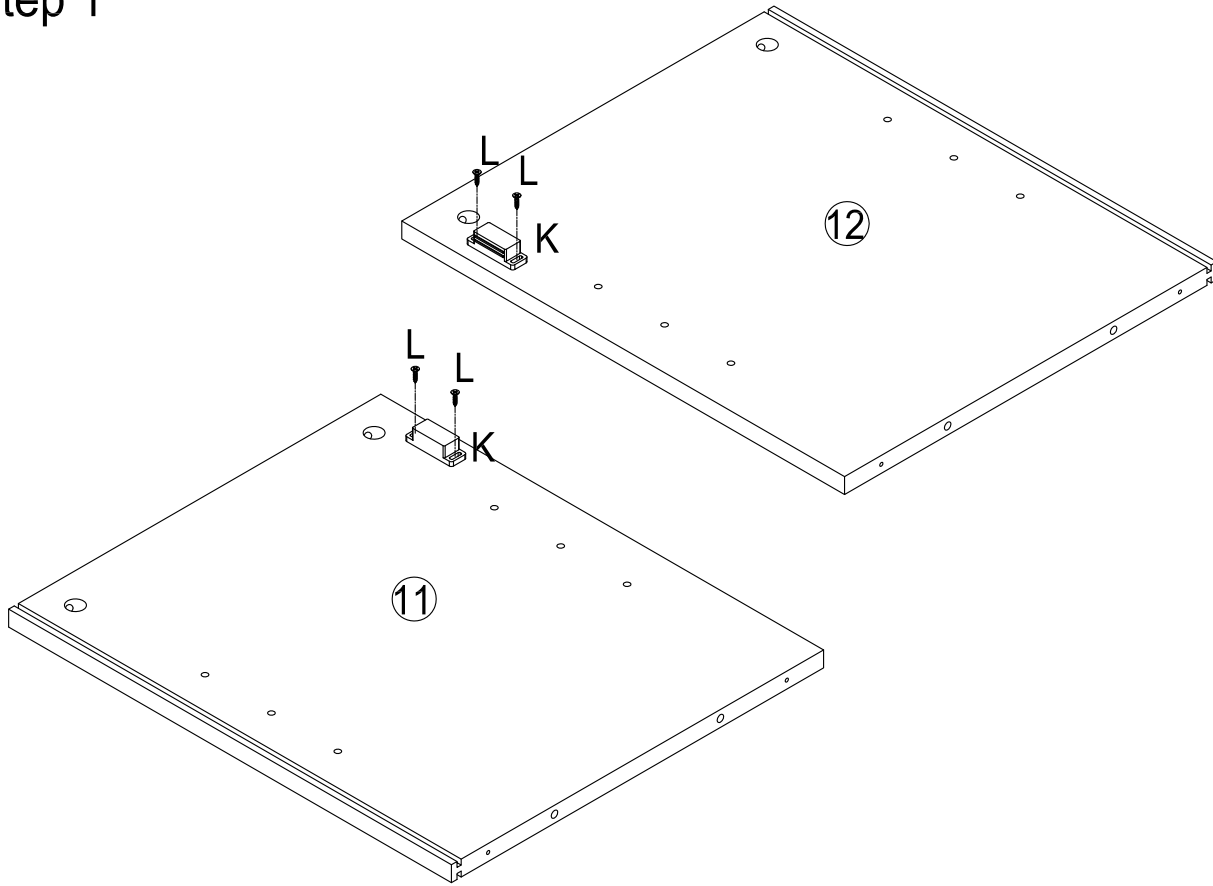


①		1pc	⑭		1pc
②		2pcs	⑮		1pc
③		1pc	⑯		2pcs
④		1pc	⑰		1pc
⑤		2pcs	⑱		2pcs
⑥		1pc	⑲		2pcs
⑦		1pc	⑳		3pcs
⑧		2pcs	㉑		1pc
⑨		1pc	㉒		1pc
⑩		1pc	㉓		1pc
⑪		1pc	㉔		1pc
⑫		1pc	㉕		1pc
⑬		1pc			



			A	36pcs	B	36pcs	C	66pcs	D	16pcs	
				M6x35mm		Ø15x9.5mm		Ø6x30mm		Ø4x40mm	
E	4pcs	F	8pcs	G	1pc	H	2pcs	I	2pcs	J	2pcs
	Ø4x25mm						M4x8mm				M4x18mm
K	2pcs	L	18pcs	M	2pcs	N	4pcs	O	26pcs	P	14pcs
			Ø3x14mm						Ø3x10mm		
Q	8pcs	R	2pcs	CL	1pc	CR	1pc	DL	1pc	DR	1pc
											

# Step 1



K 2pcs

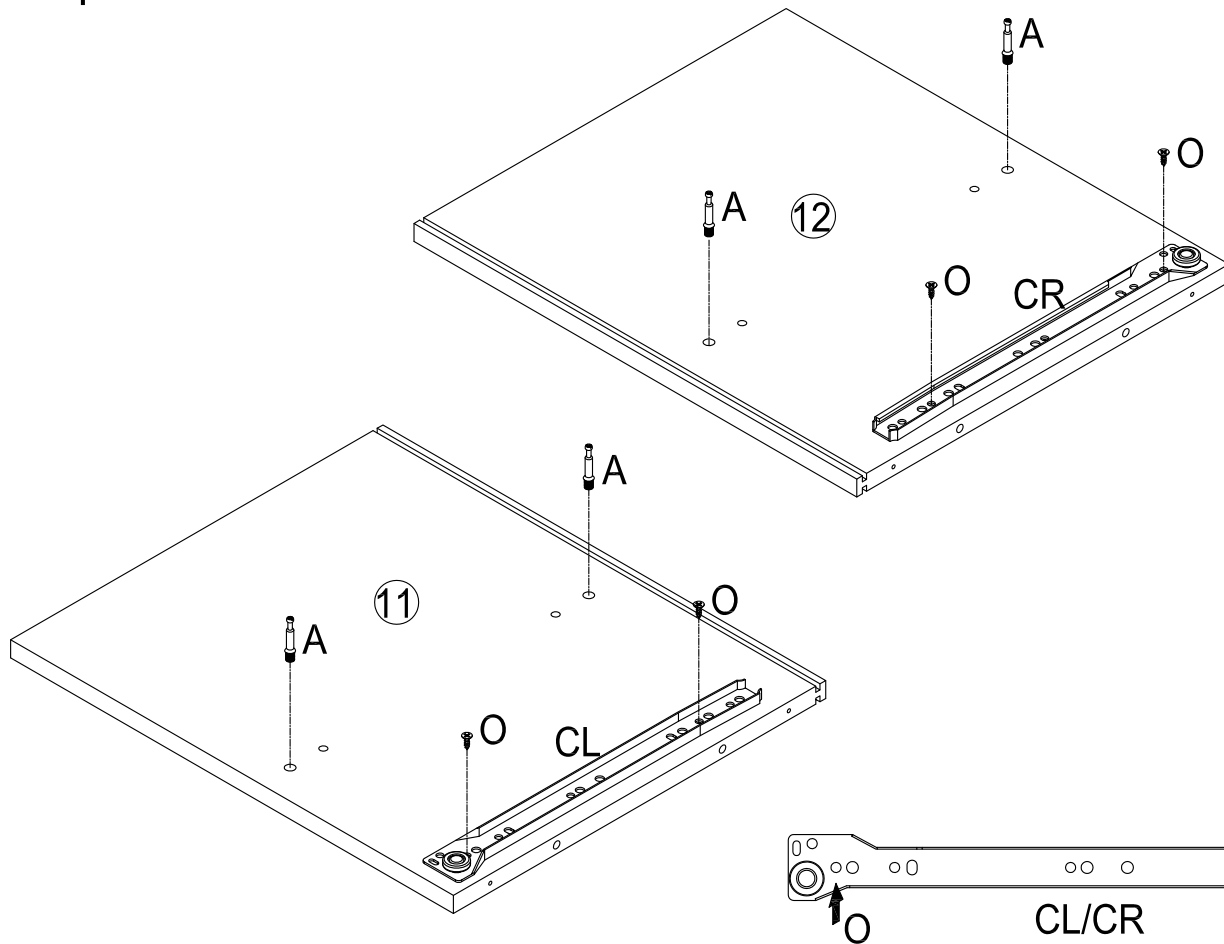


L 4pcs



Ø3x14mm

# Step 2



A 4pcs



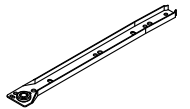
M6x35mm

O 4pcs

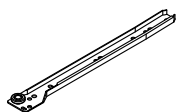


Ø3x10mm

CL 1pc

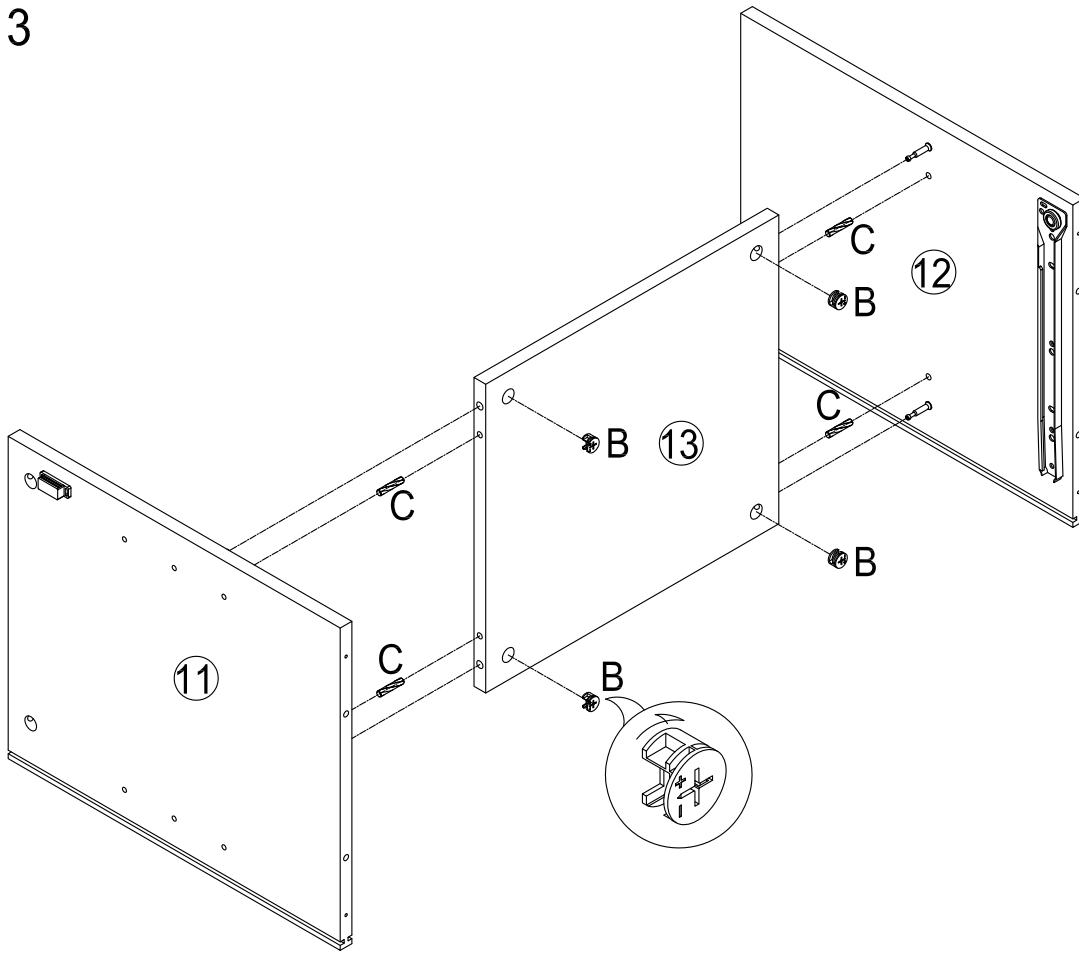


CR 1pc



CL/CR

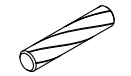
### Step 3



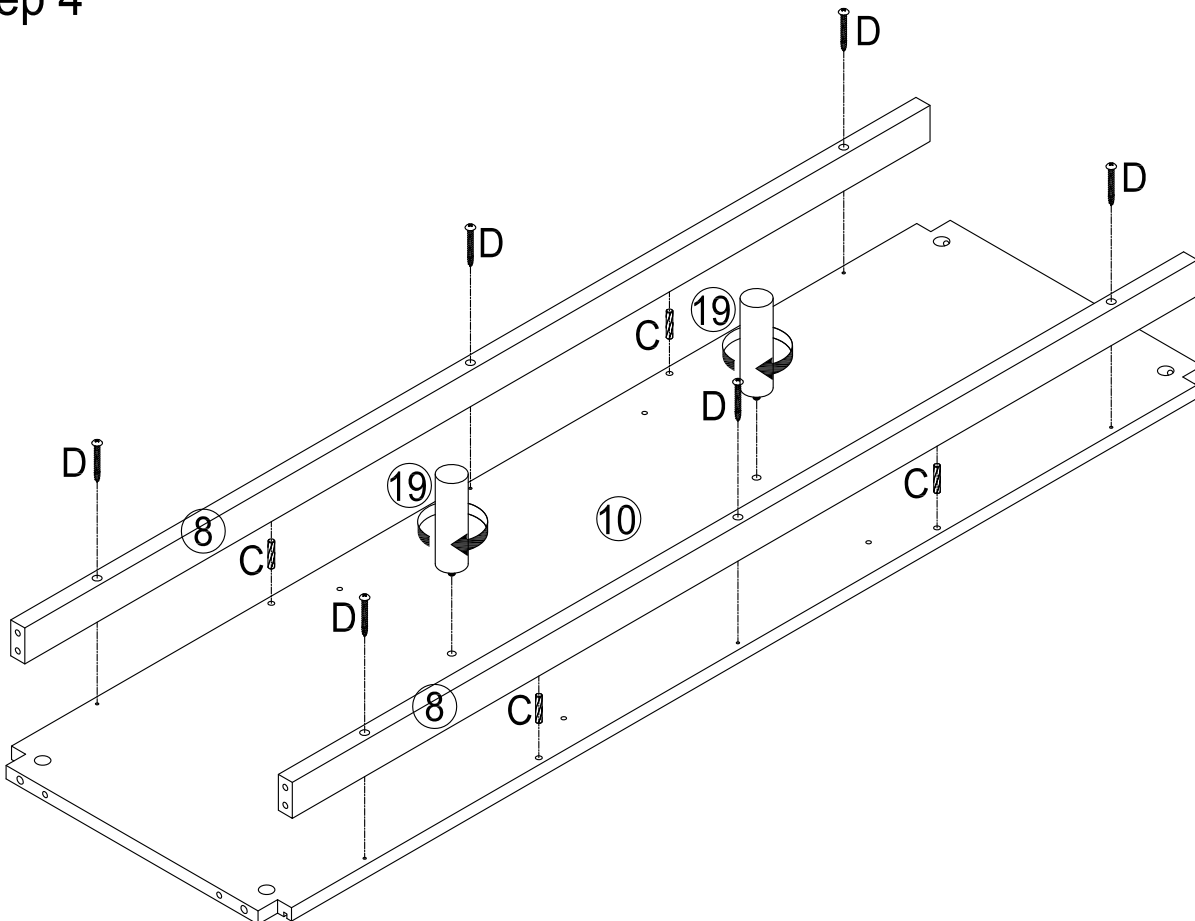
B 4pcs



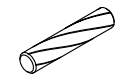
C 4pcs



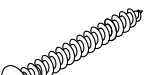
### Step 4



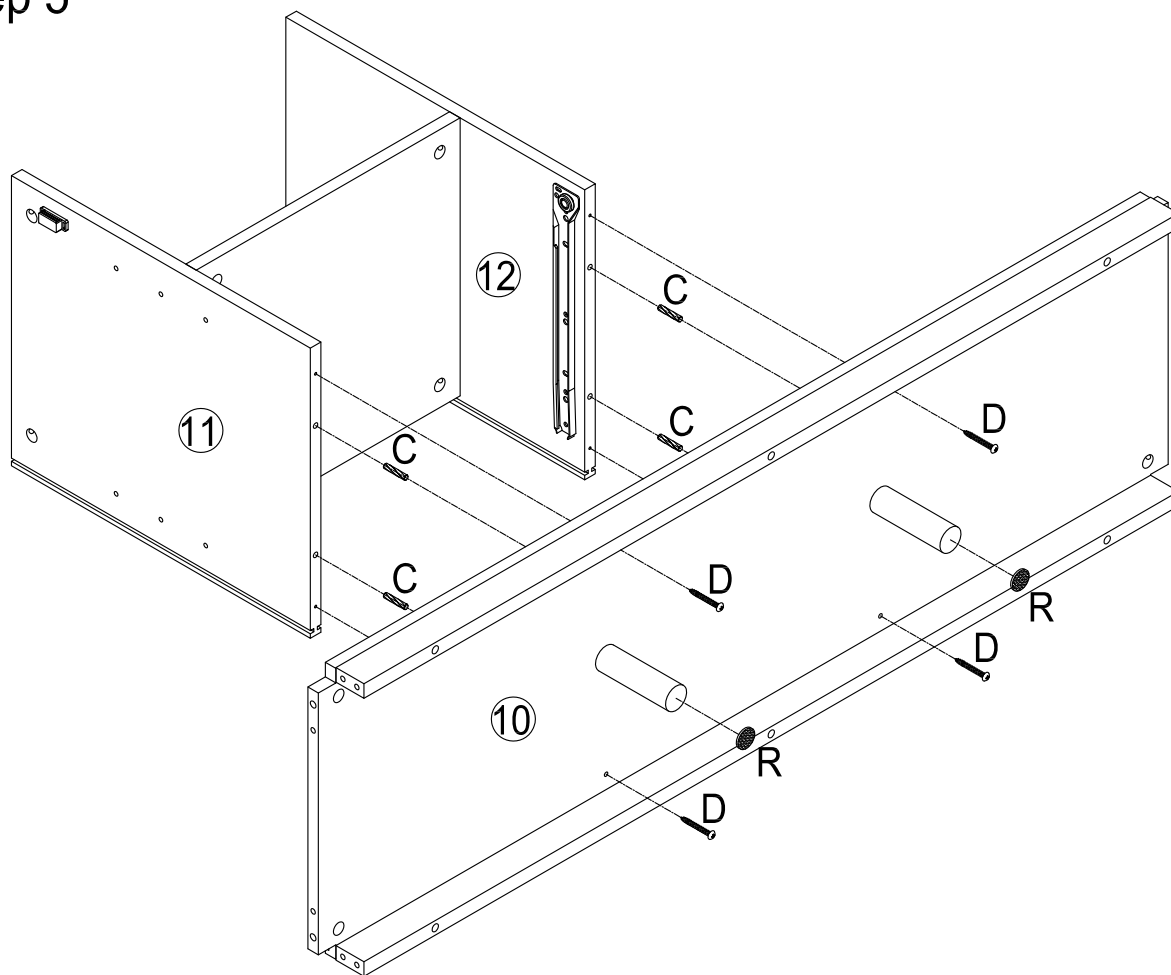
C 4pcs

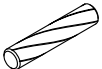
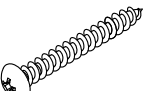



D 6pcs

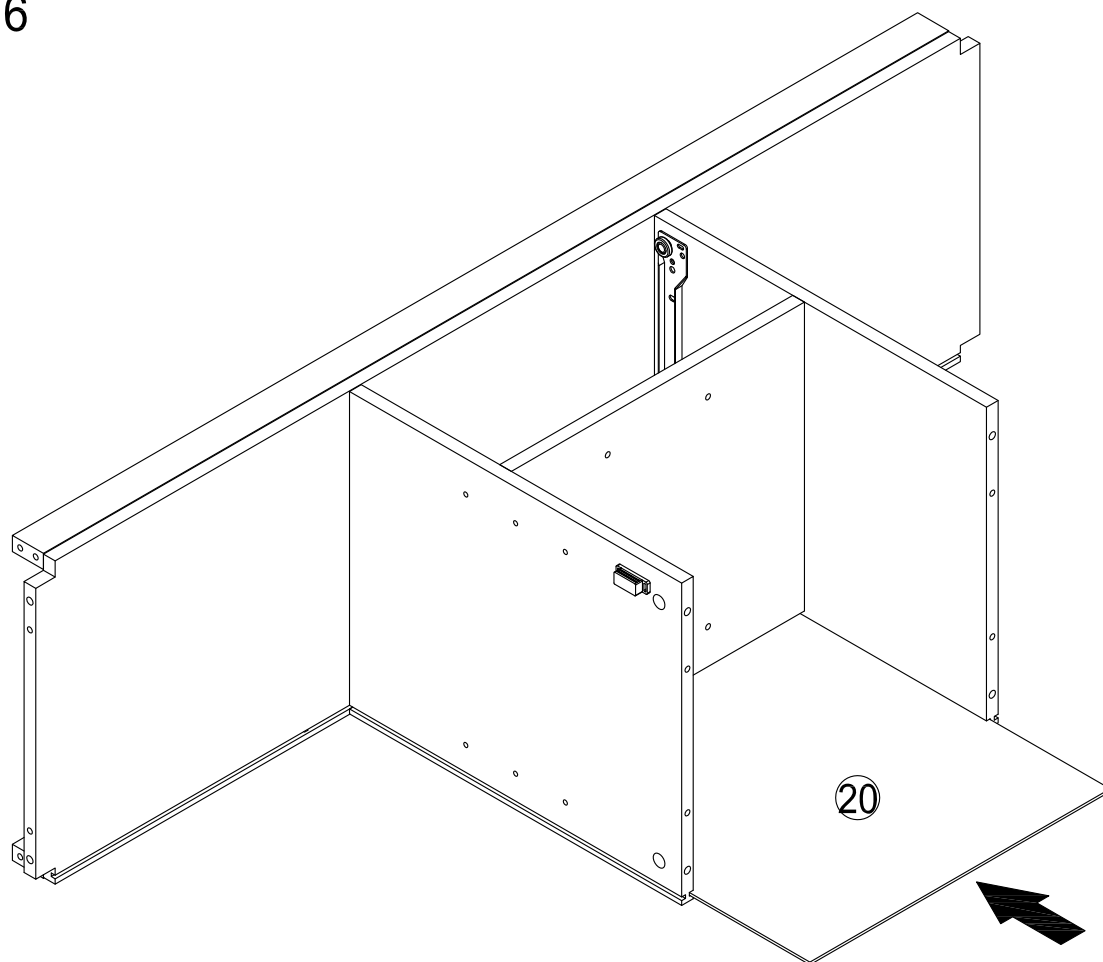


# Step 5



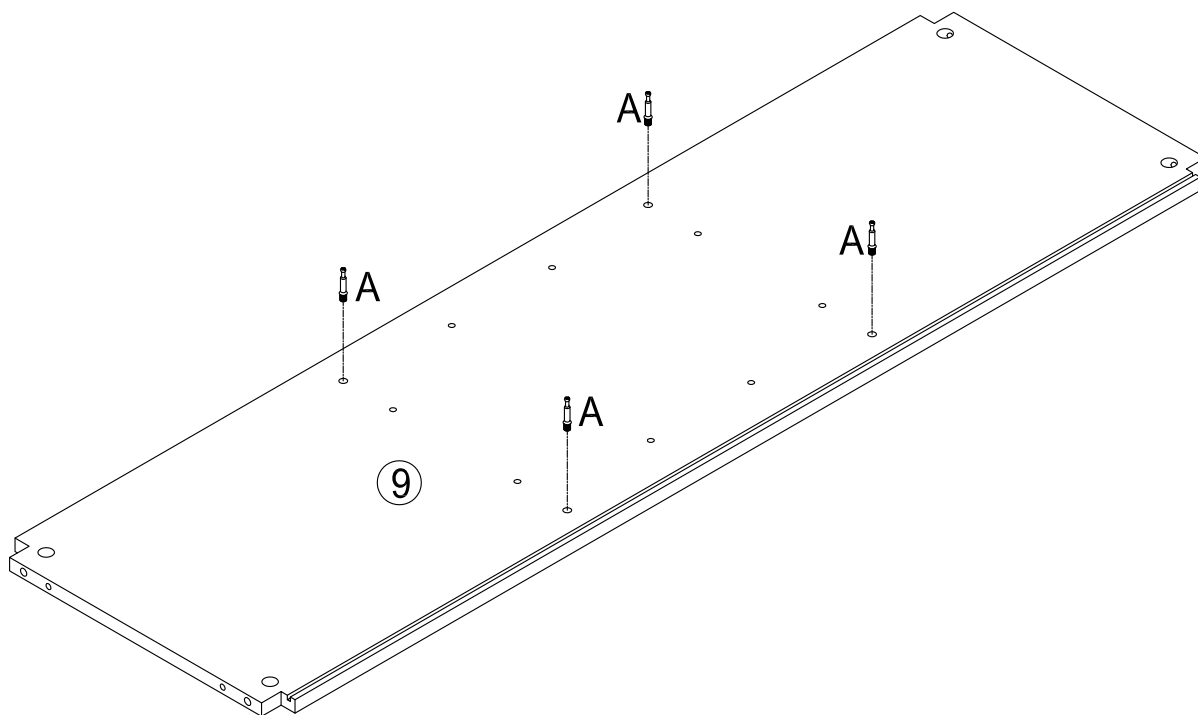
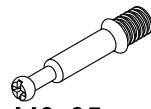
C	4pcs
	
	Ø6x30mm
D	4pcs
	
	Ø4x40mm
R	2pcs
	

# Step 6



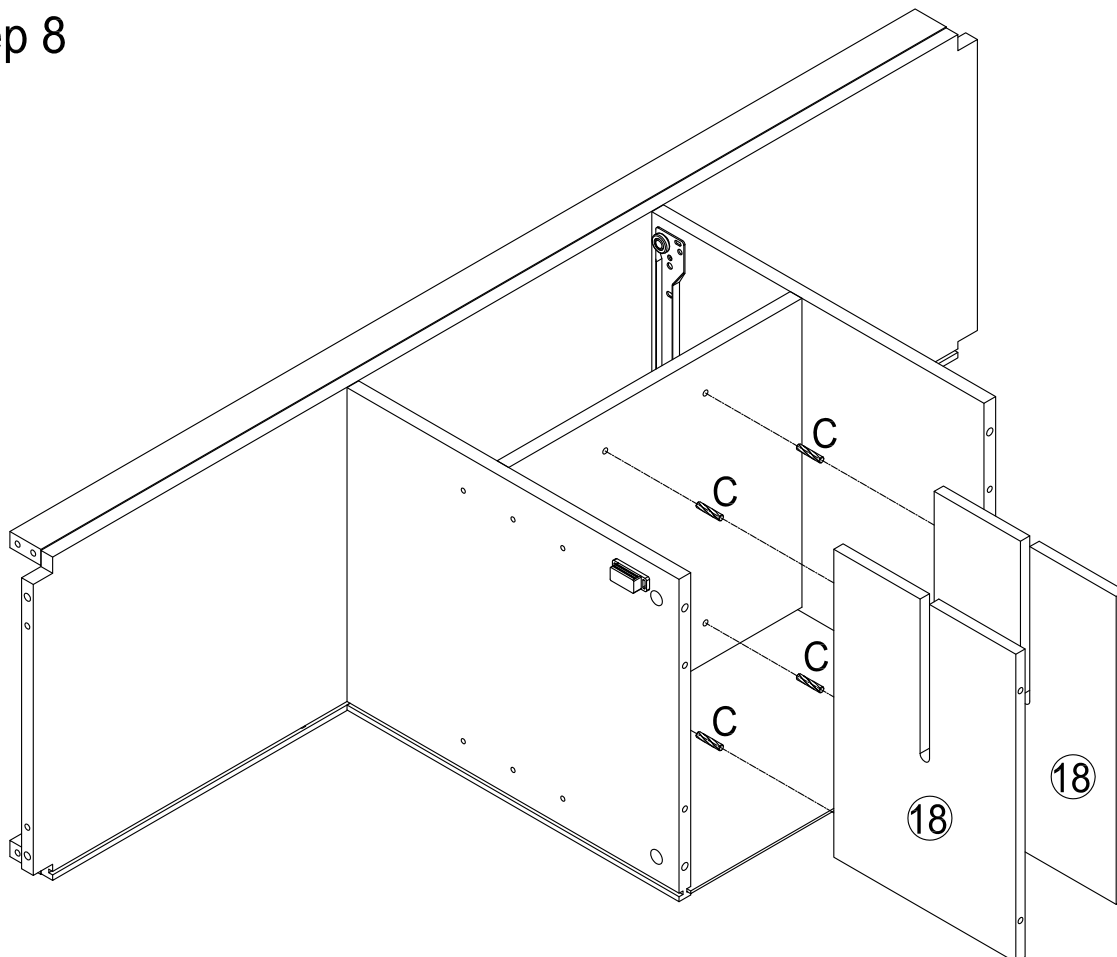
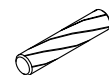
# Step 7

A 4pcs  
M6x35mm

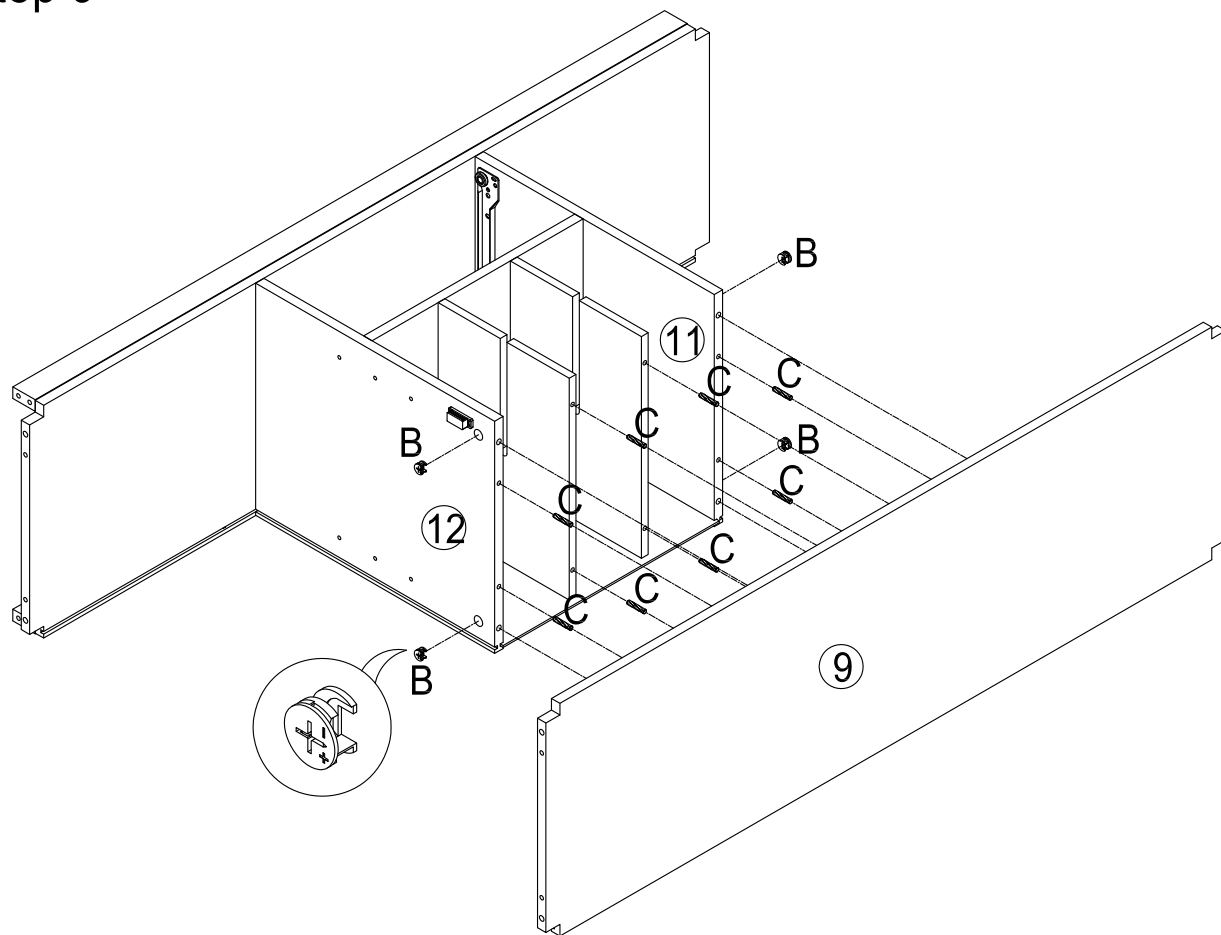


# Step 8

C 4pcs  
Ø6x30mm



# Step 9

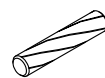


B 4pcs



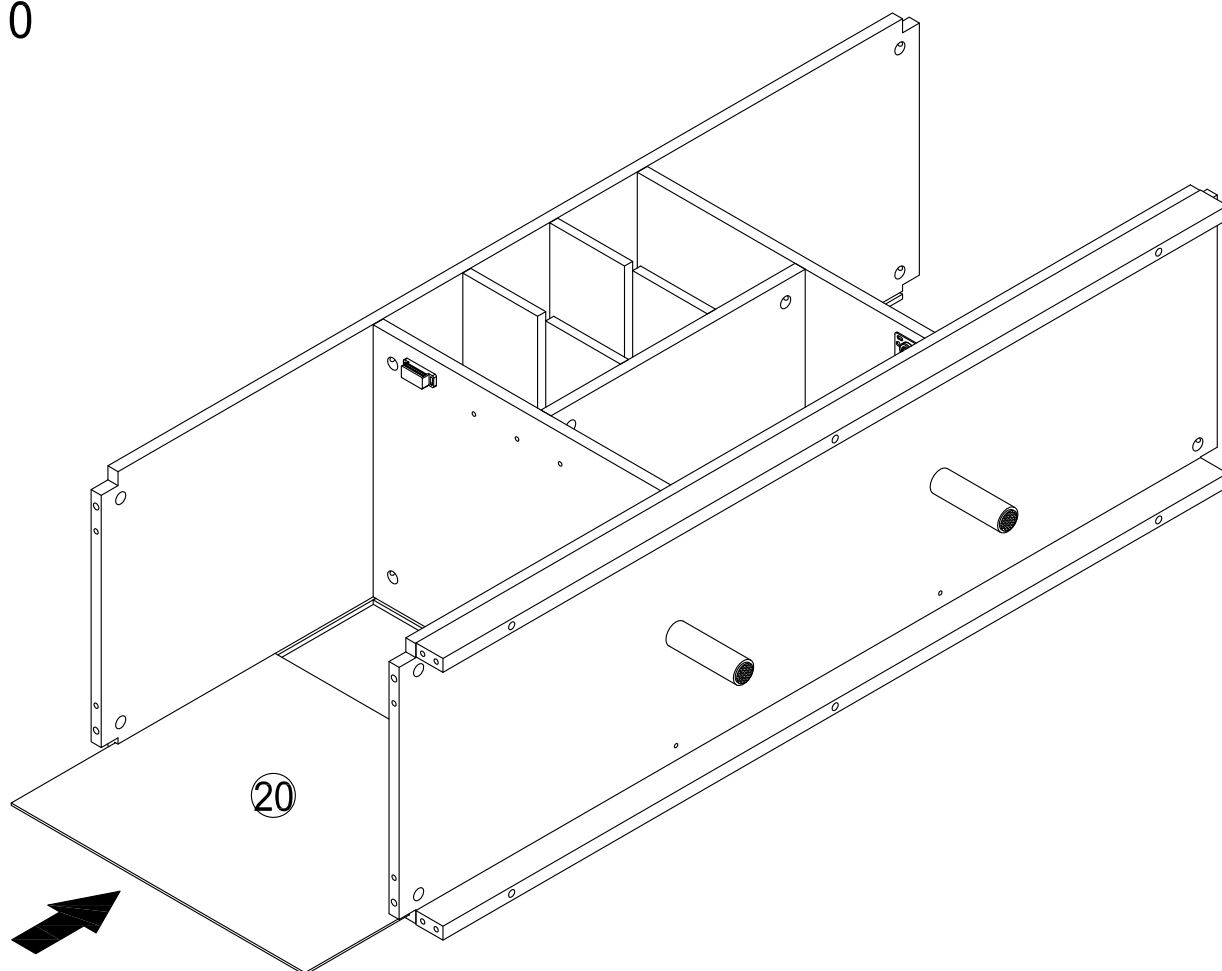
Ø15x9.5mm

C 8pcs

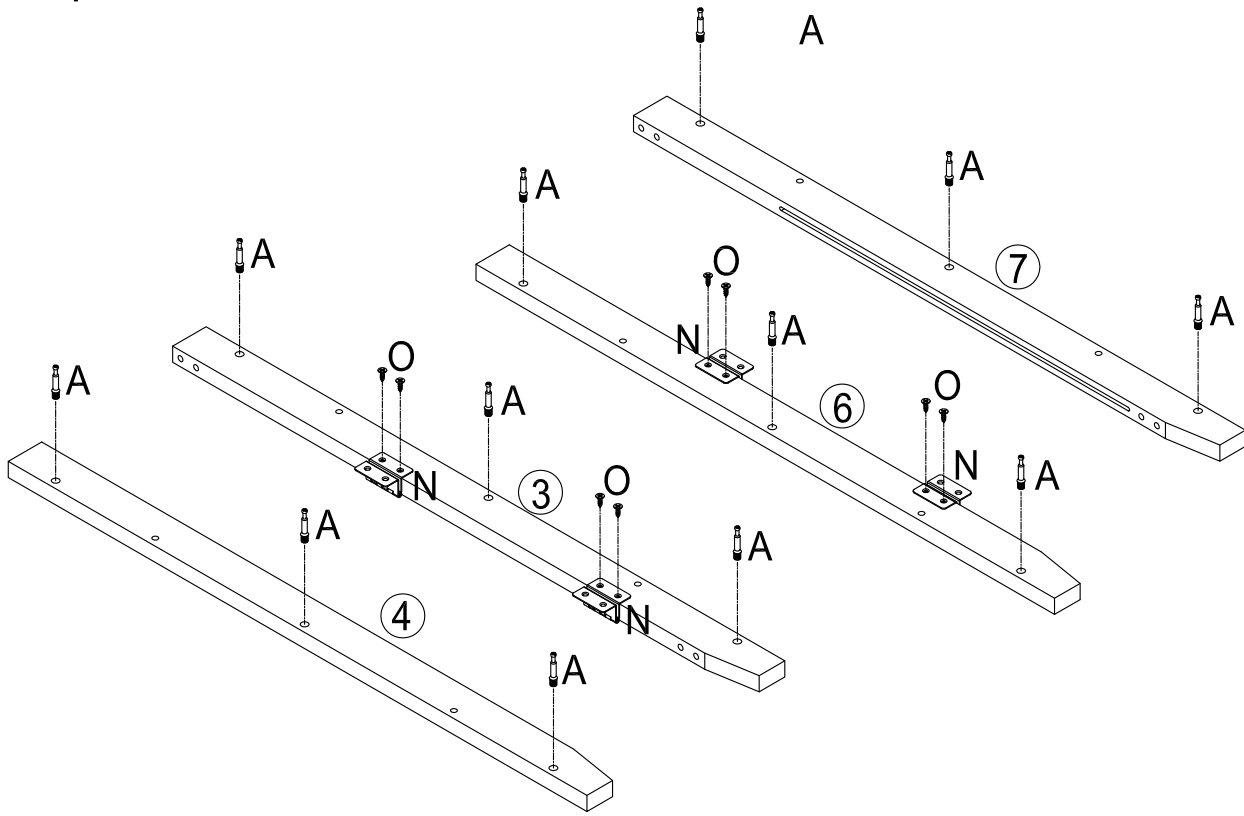


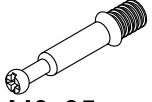
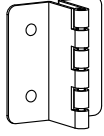

Ø6x30mm

# Step 10

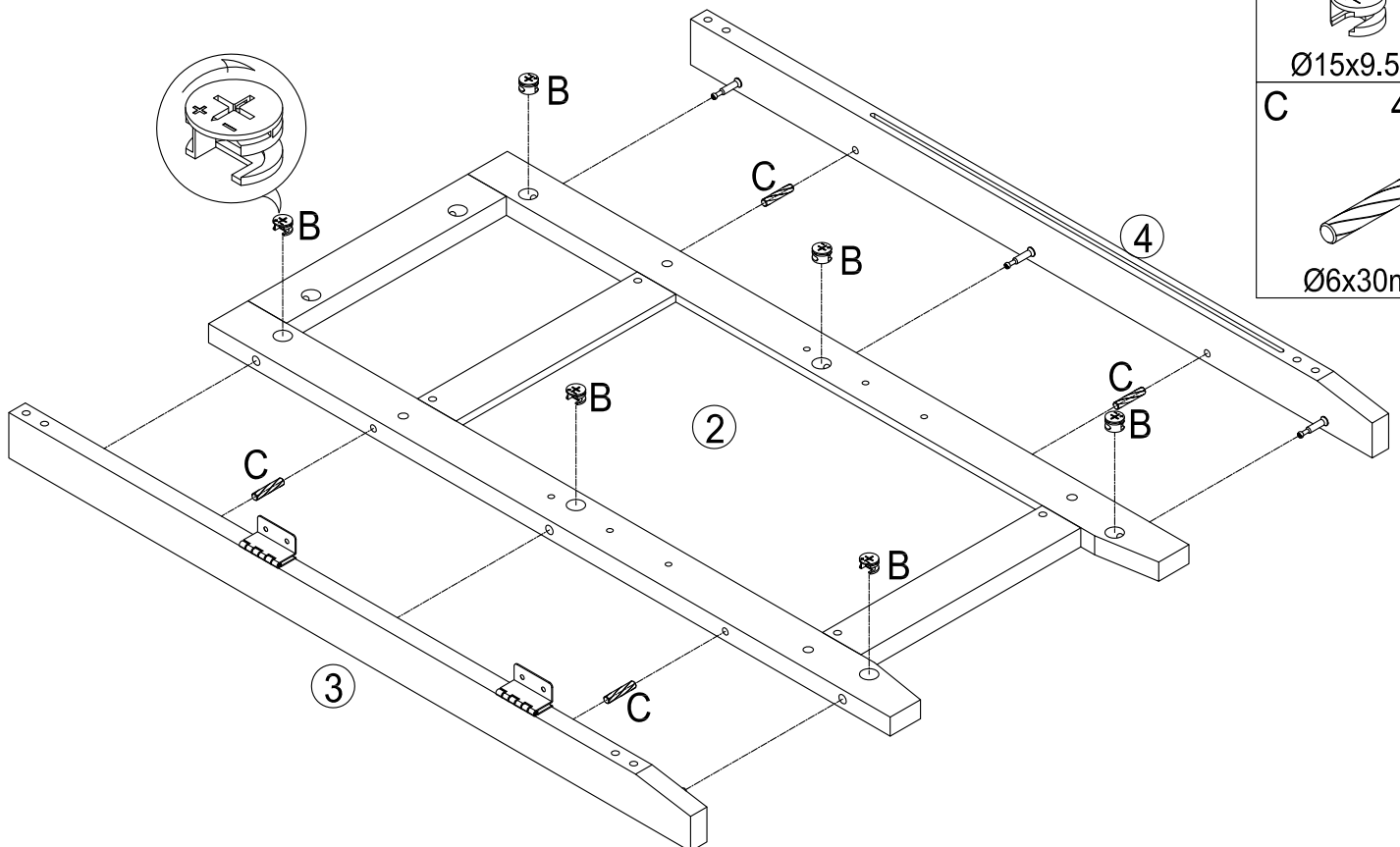



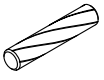
# Step 11



A	12pcs
	M6x35mm
N	4pcs
	
O	8pcs
	Ø3x10mm

# Step 12



B	6pcs
	Ø15x9.5mm
C	4pcs
	Ø6x30mm

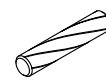
# Step 13

**B** 6pcs

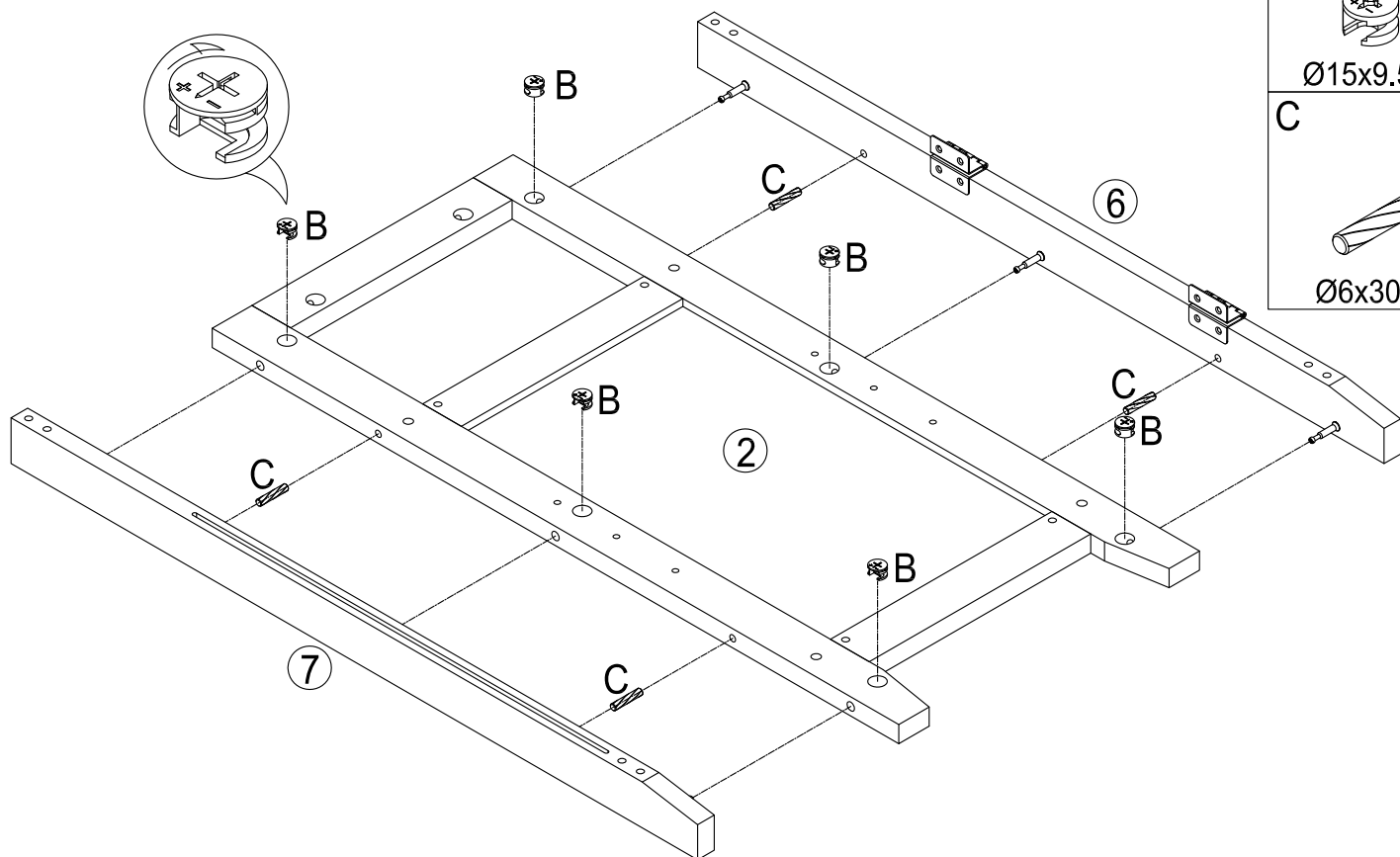


Ø15x9.5mm

**C** 4pcs

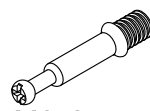


Ø6x30mm



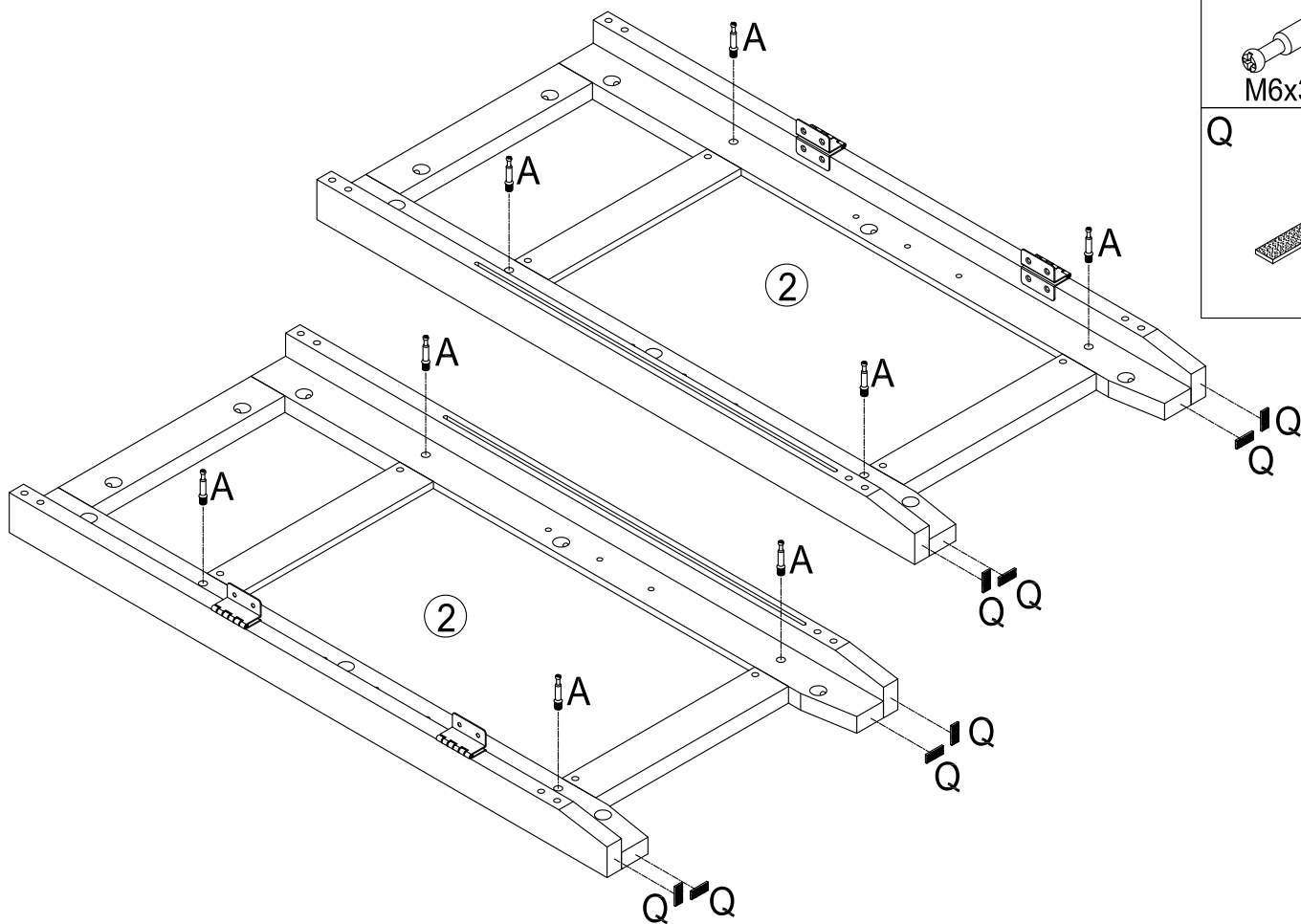
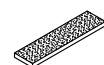
# Step 14

**A** 8pcs

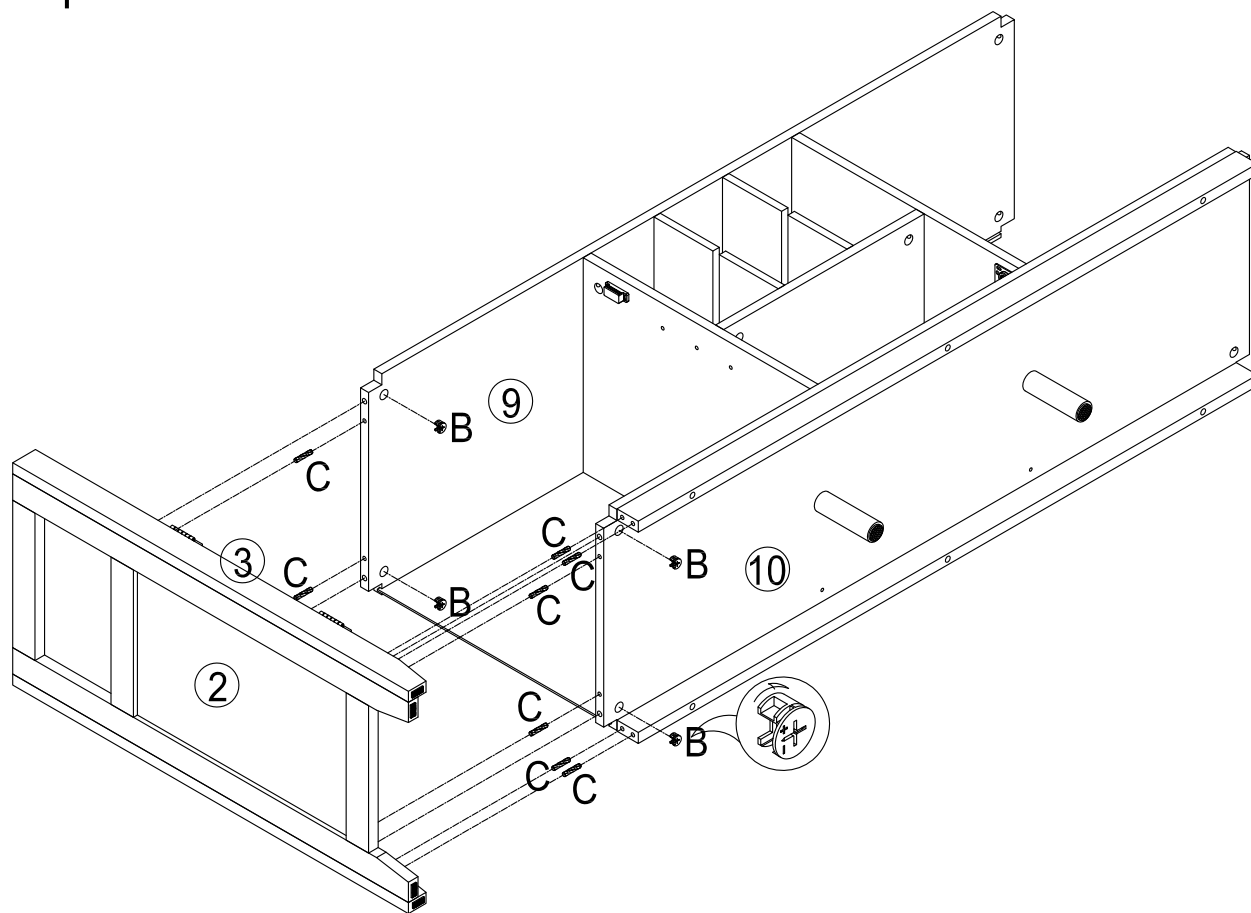


M6x35mm

**Q** 8pcs



# Step 15

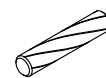


**B** 4pcs



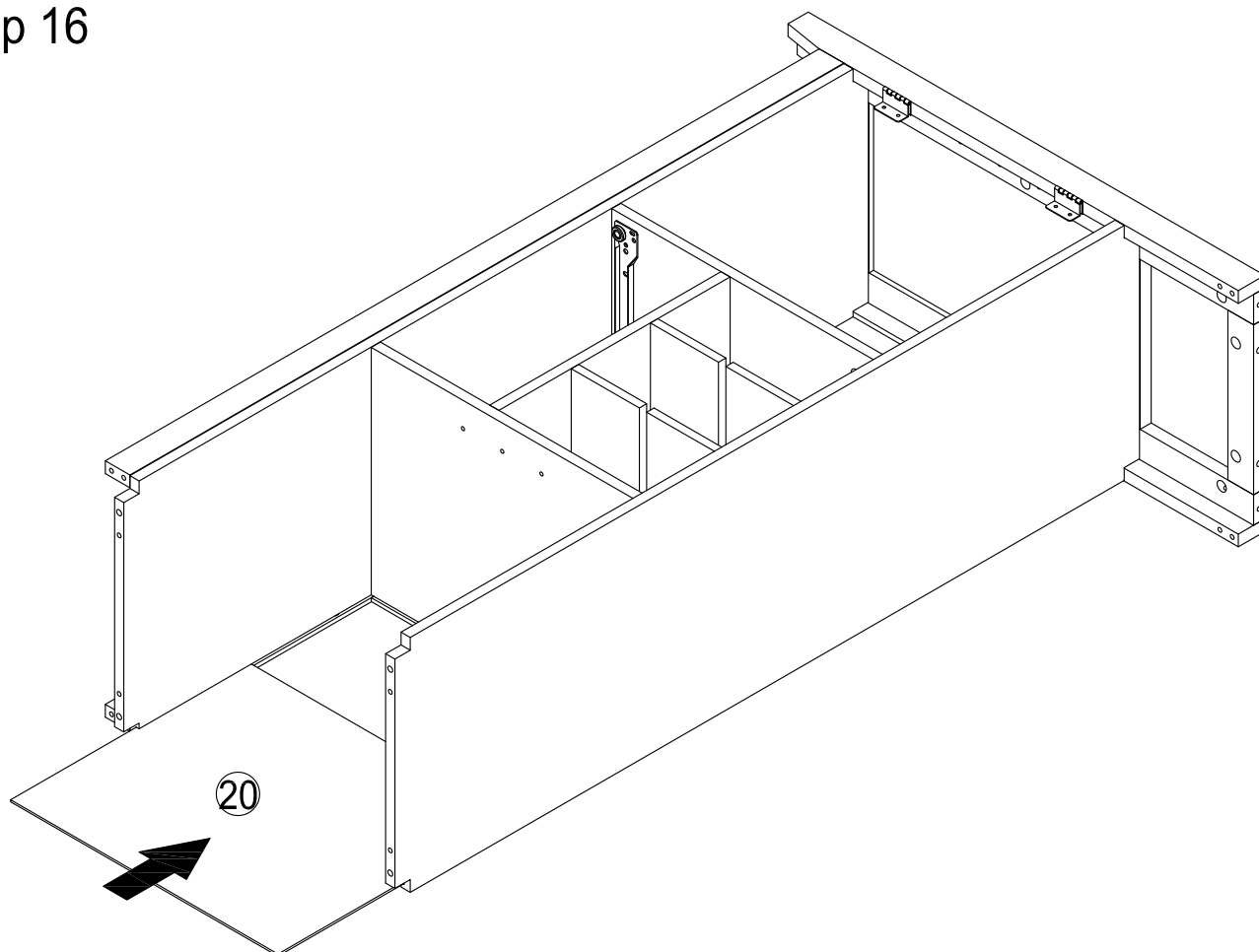
Ø15x9.5mm

**C** 8pcs

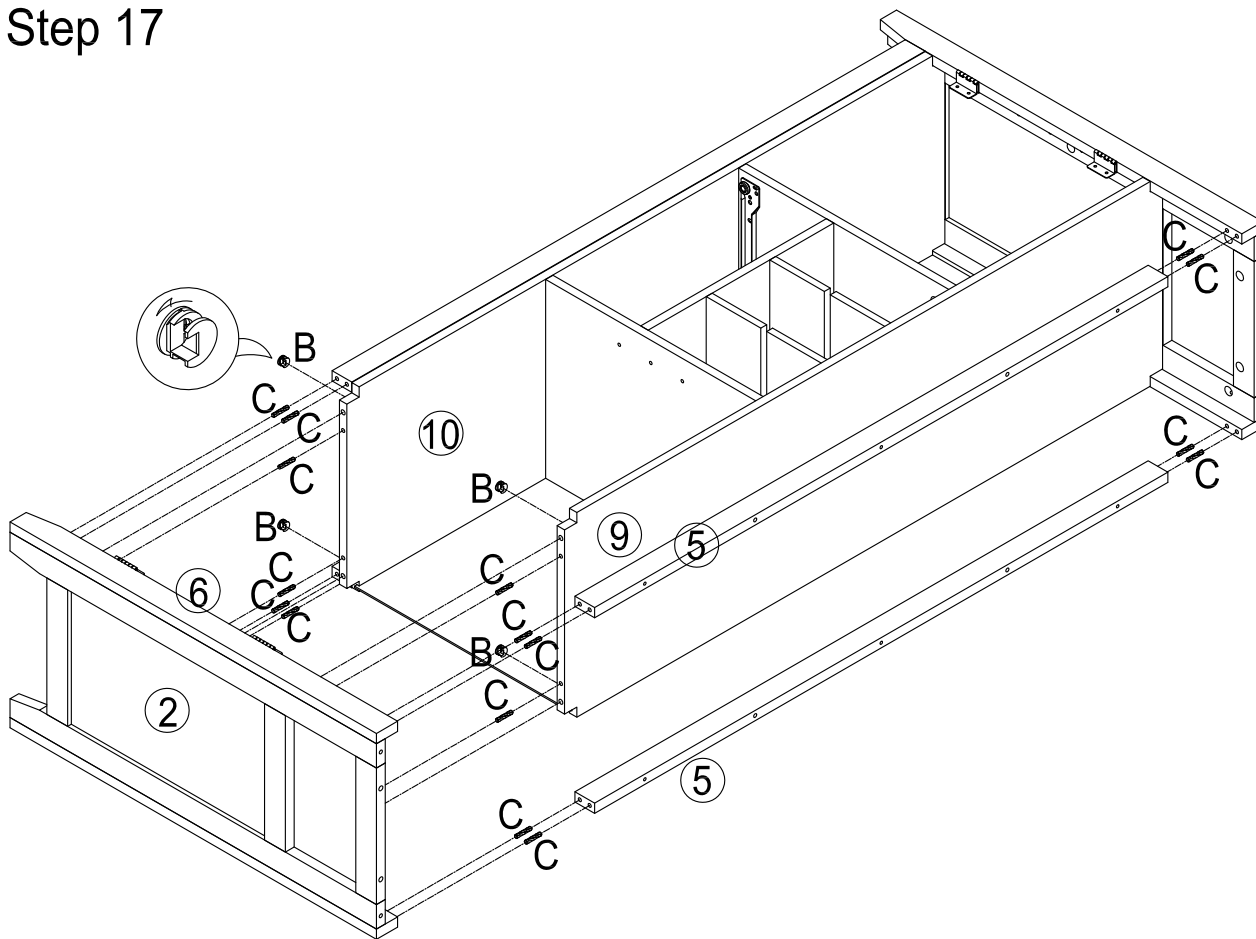


Ø6x30mm

# Step 16



# Step 17

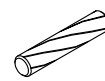


**B** 4pcs



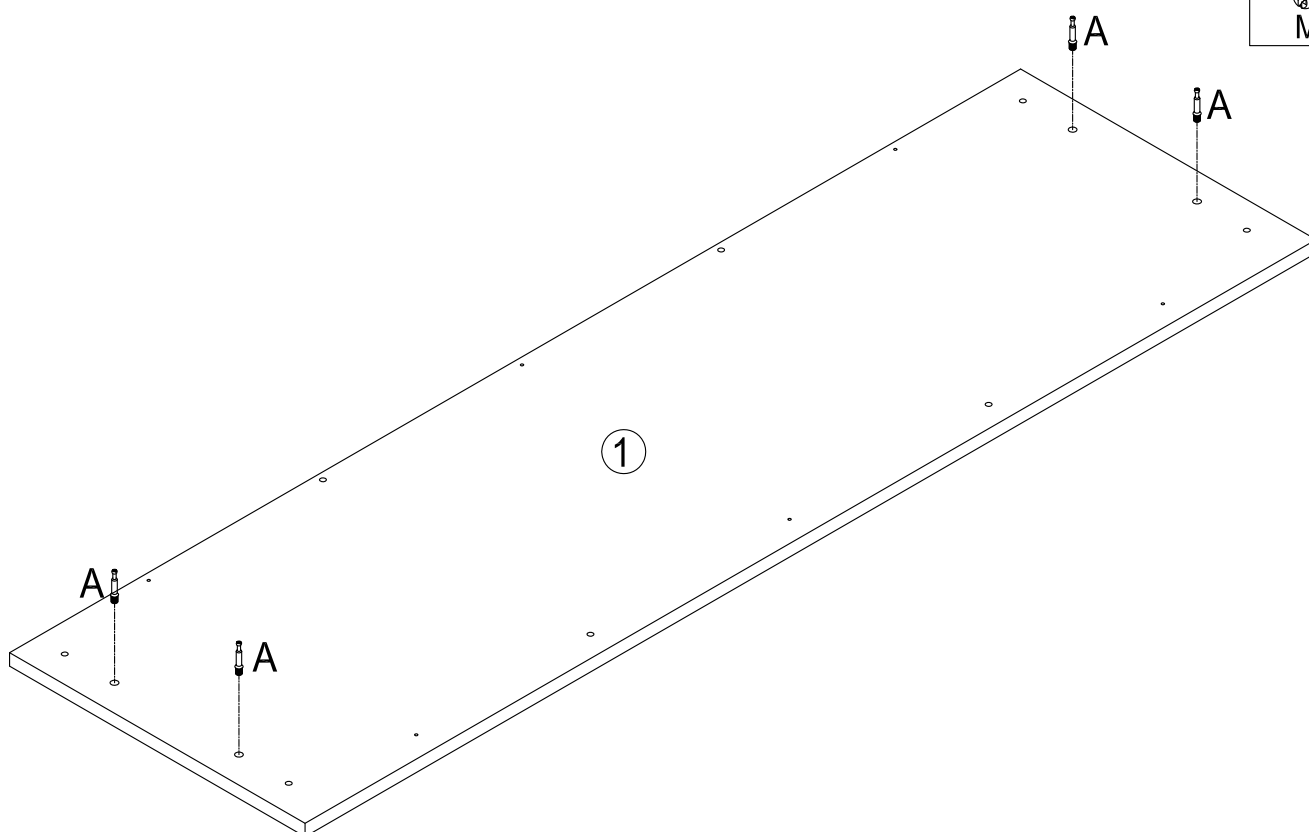
Ø15x9.5mm

**C** 16pcs

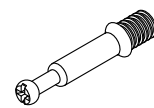


Ø6x30mm

# Step 18

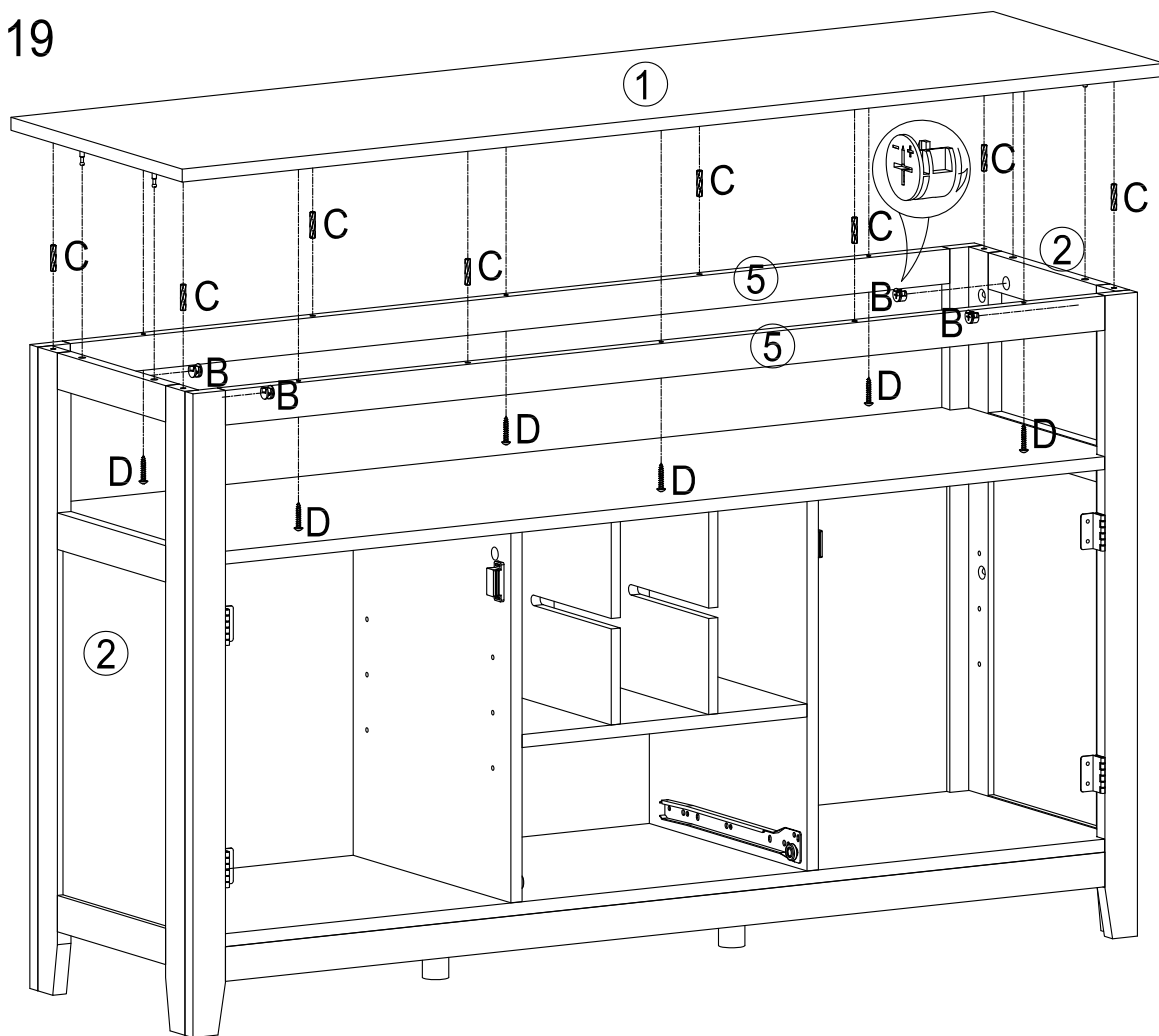



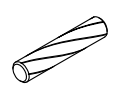
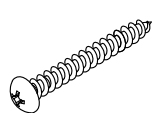
**A** 4pcs



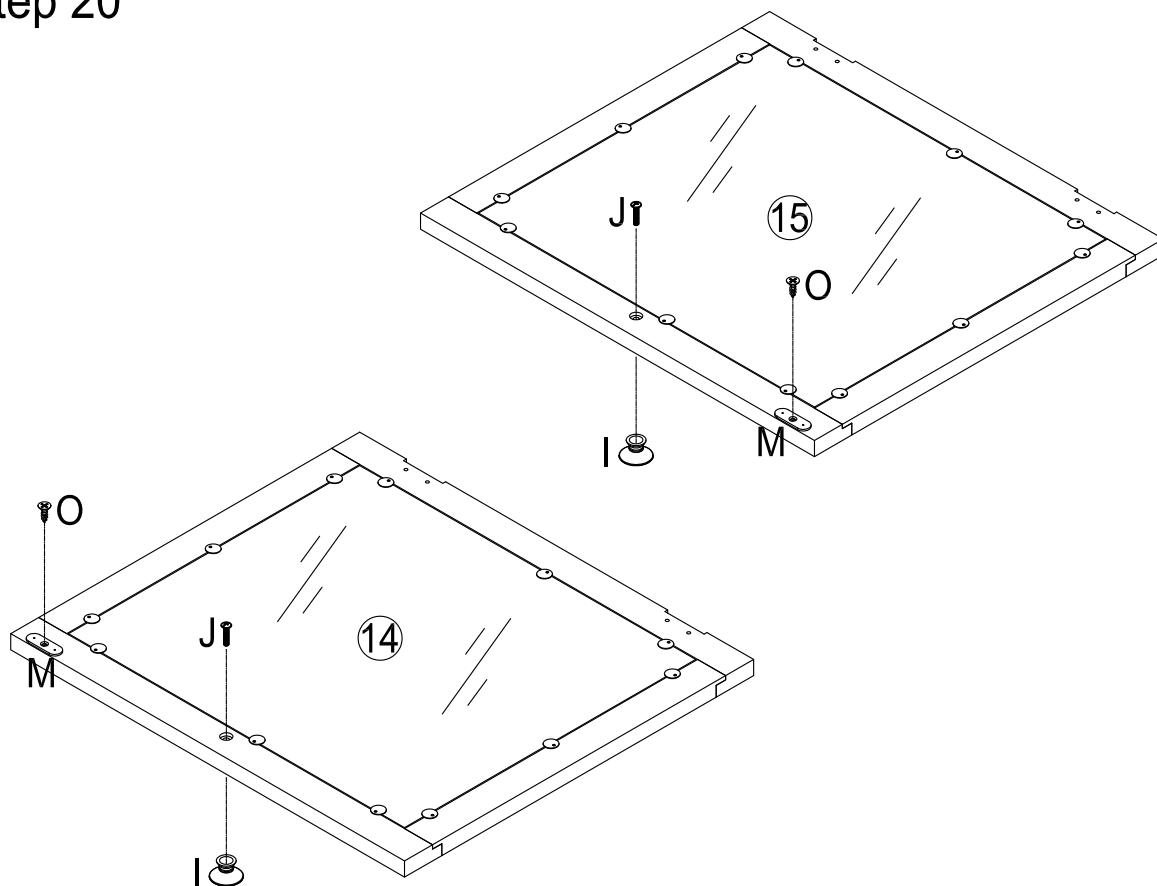
M6x35mm





# Step 19



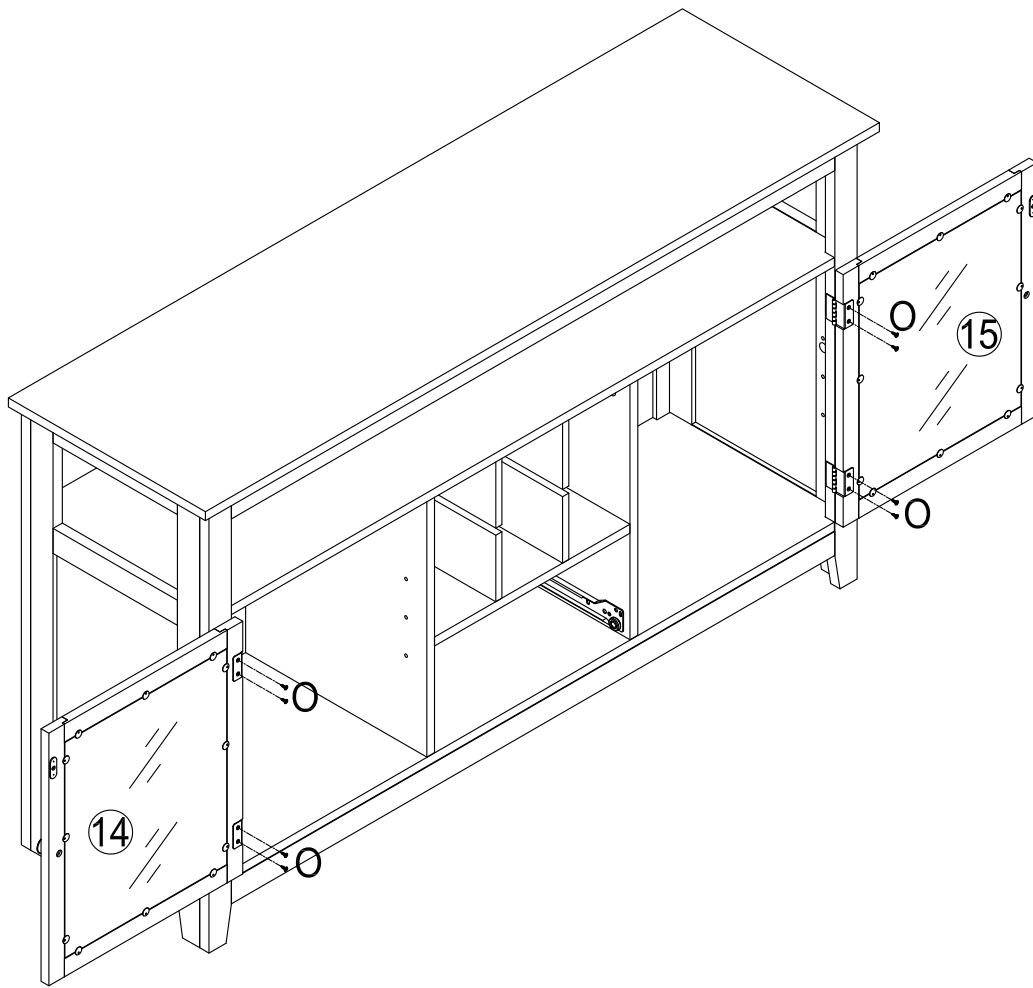
- B** 4pcs  
  
Ø15x9.5mm
- C** 8pcs  
  
Ø6x30mm
- D** 6pcs  
  
Ø4x40mm

# Step 20




- I** 2pcs  

- J** 2pcs  
  
M4x18mm
- M** 2pcs  

- O** 2pcs  
  
Ø3x10mm

# Step 21

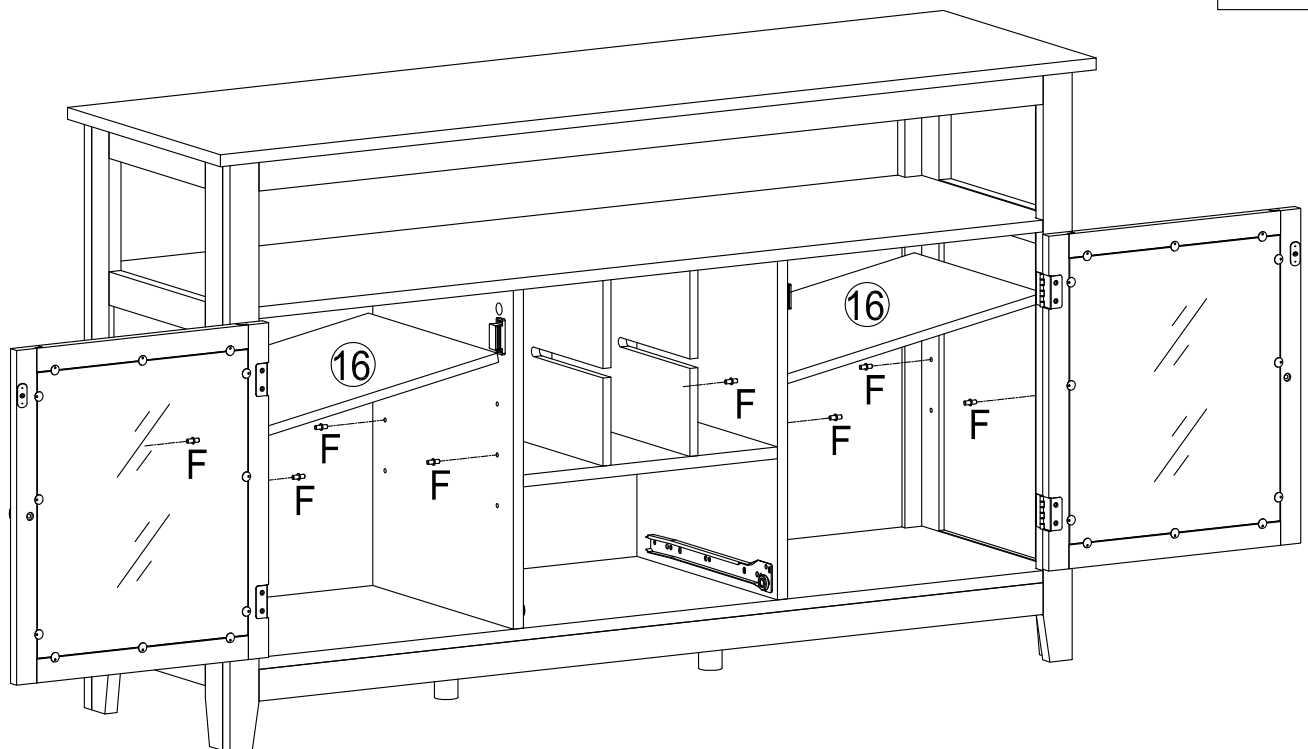


O 8pcs




Ø3x10mm

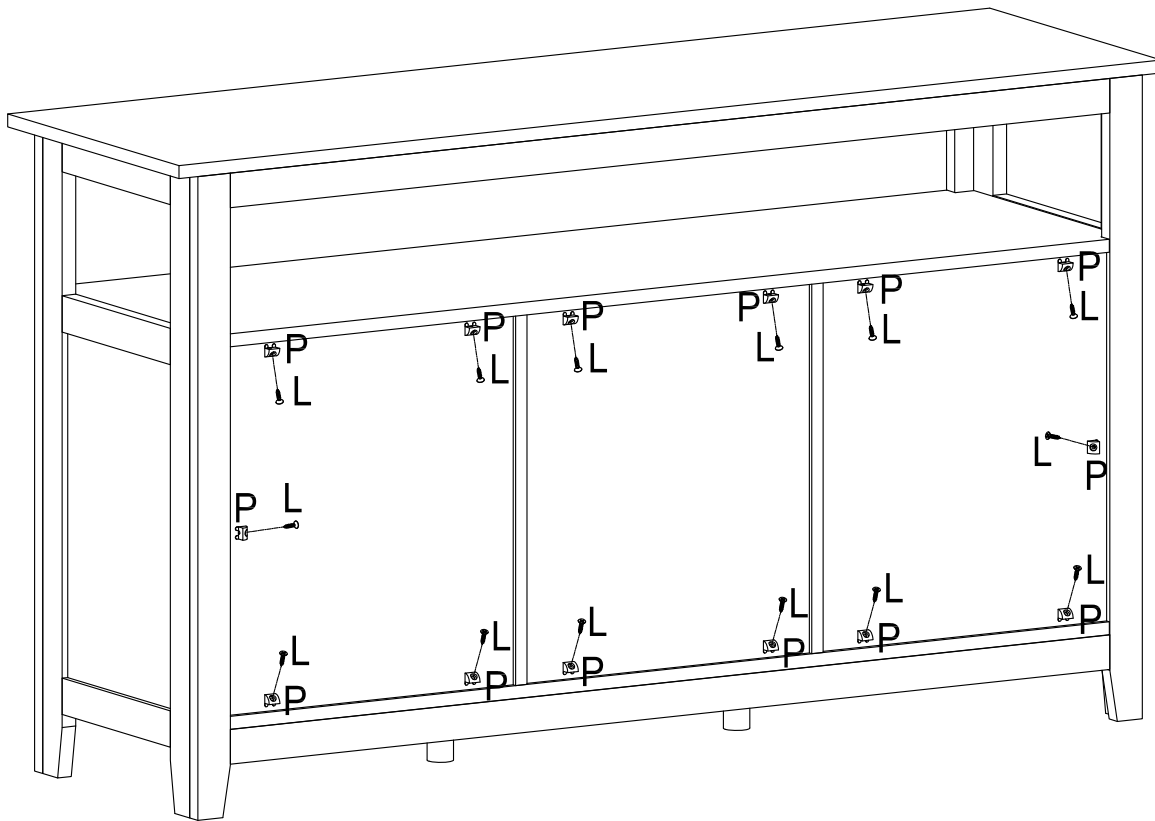
# Step 22



F 8pcs



# Step 23



L 14pcs

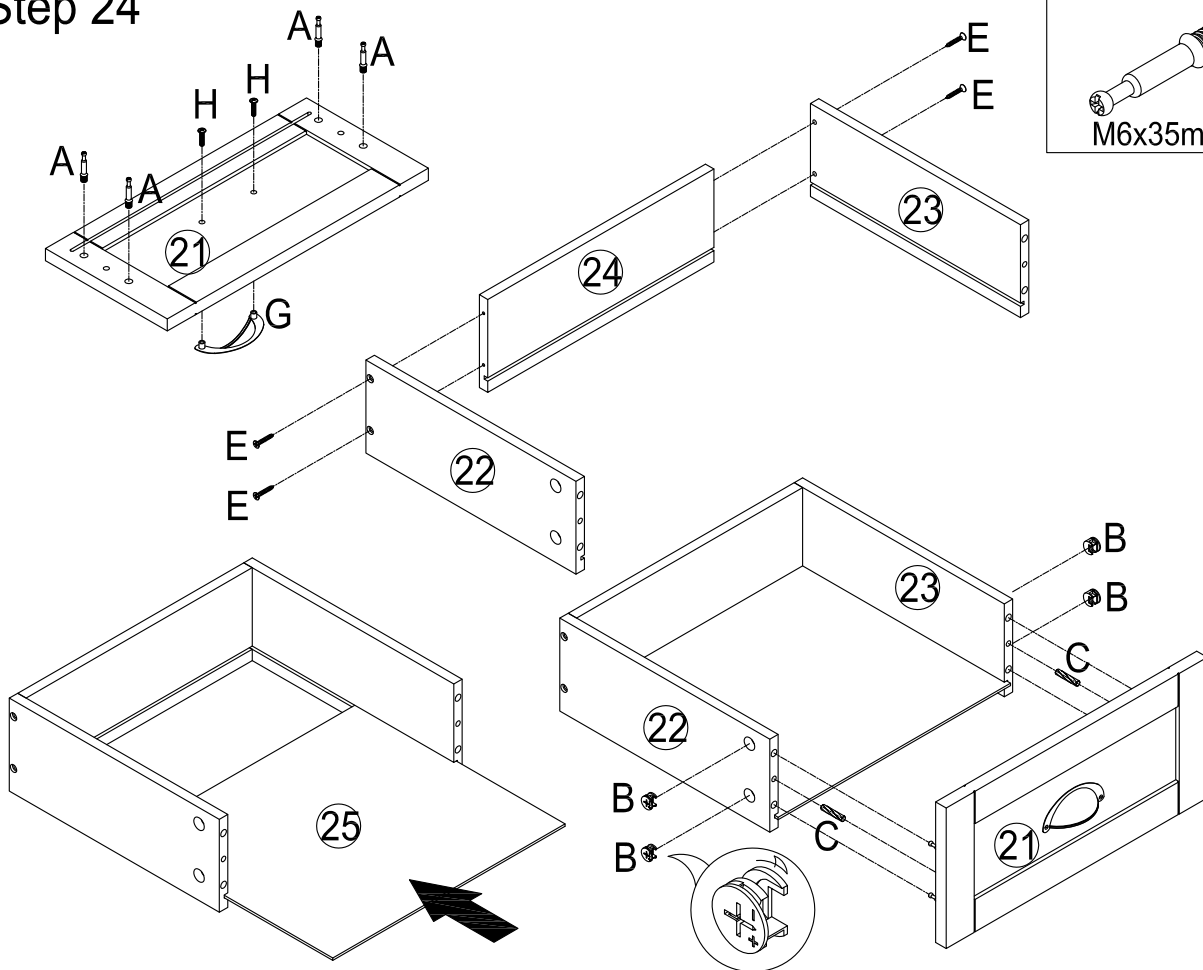


Ø3x14mm

P 14pcs



# Step 24



A 4pcs



M6x35mm

B 4pcs



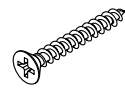
Ø15x9.5mm

C 2pcs



Ø6x30mm

E 4pcs



Ø4x25mm

G 1pc

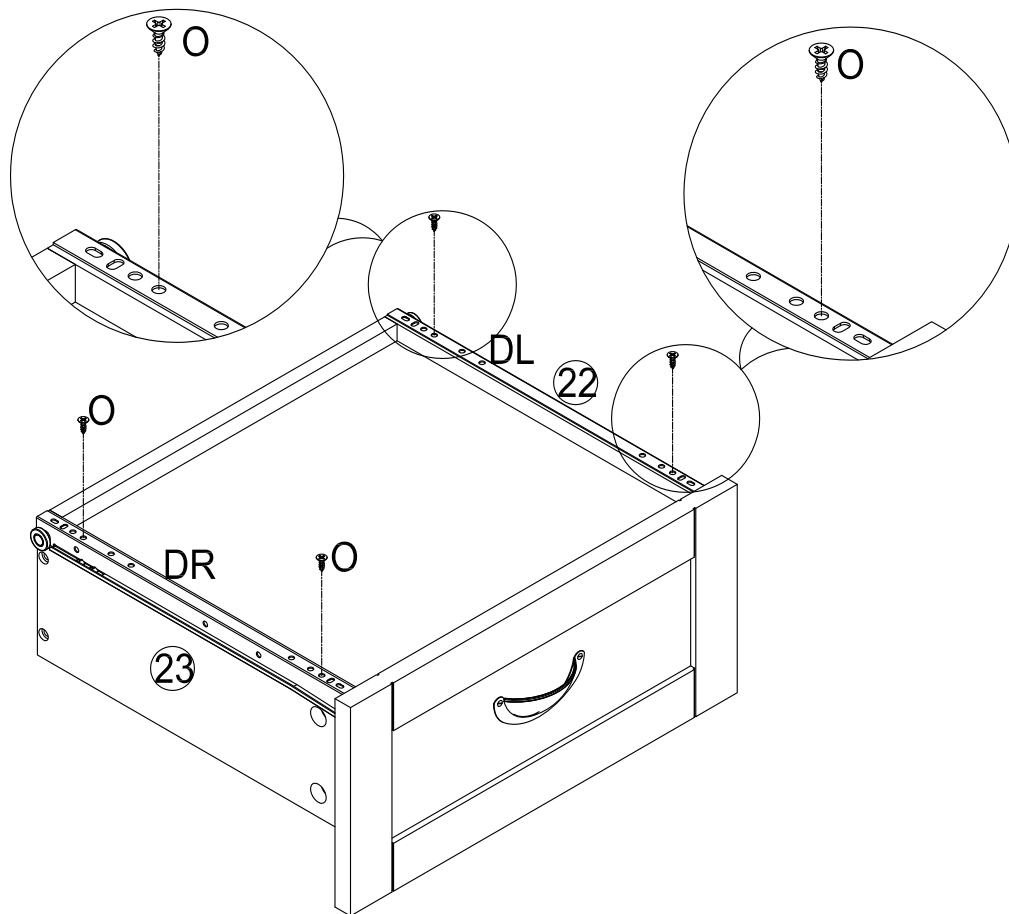



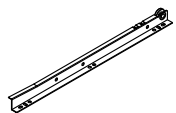

H 2pcs



M4x8mm

# Step 25



O	4pcs
	
	Ø3x10mm
DL	1pc
	
DR	1pc
	

# Step 26

