

# **INSTALLATION**

## *Product Manual*

Version: 200302US-00-25A-DC



### **IMPORTANT INFORMATION!**

please read the entire manual before starting to assemble and/or using this product. follow the manual thoroughly and keep it for further reference.



### **AVOID SCRATCHES!**

In order to avoid scratching this furniture should be assembled on a soft layer- could be a rug.



### **IMPROVE EFFICIENCY !**

Try to find a partner to install with you, which can speed up the installation efficiency and shorten the time.



### **ANTI-TOPPLE WARNING !**

Overturnd furniture can cause serious or fatal crush injuries. To prevent tipping over, be sure to use the wall attachment, if not included with this product. Please purchase the wall attachment that fit your wall. If unsure, seek professional advice. Please read and follow each step of the instructions carefully.

### **IMPORTANT !**

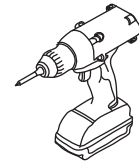
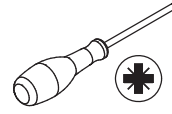
It is important that any product which is assembled using any kind of screw is re-tightened 2 weeks after assembly, and once every 3 months - in order to assure stability through-out the lifespan of the product.

For regular maintenance and cleaning of the product, for the frame, please use a rag dipped in neutral detergent to fully wipe it, and then dry it with a clean rag. For glass materials, wipe with a rag dampened with water glass cleaner, and then dry with a dry rag.

Do not use an electric screwdriver, and do not use too much force when installing, because the board is easy to break.

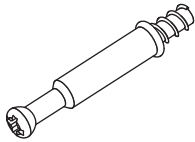


Please prepare the following tools



When installing, please carefully confirm whether each screw corresponds to the manual, accessories with similar shapes can be distinguished by size

A x 79



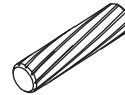
Ø 6 x 35 mm

B x 79



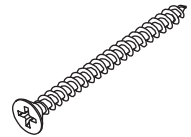
Ø 15 x 10 mm

C x 8



Ø 6 x 30 mm

D x 49



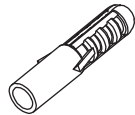
Ø 4 x 35 mm

E x 108

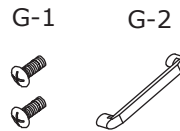


Ø 3.5 x 12 mm

F x 2

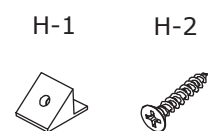


G x 9



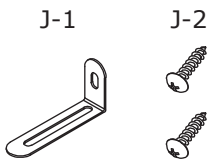
Ø 4 x 10 mm

H x 18



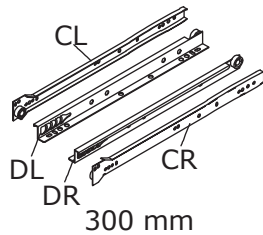
Ø 3 x 14 mm

J x 2

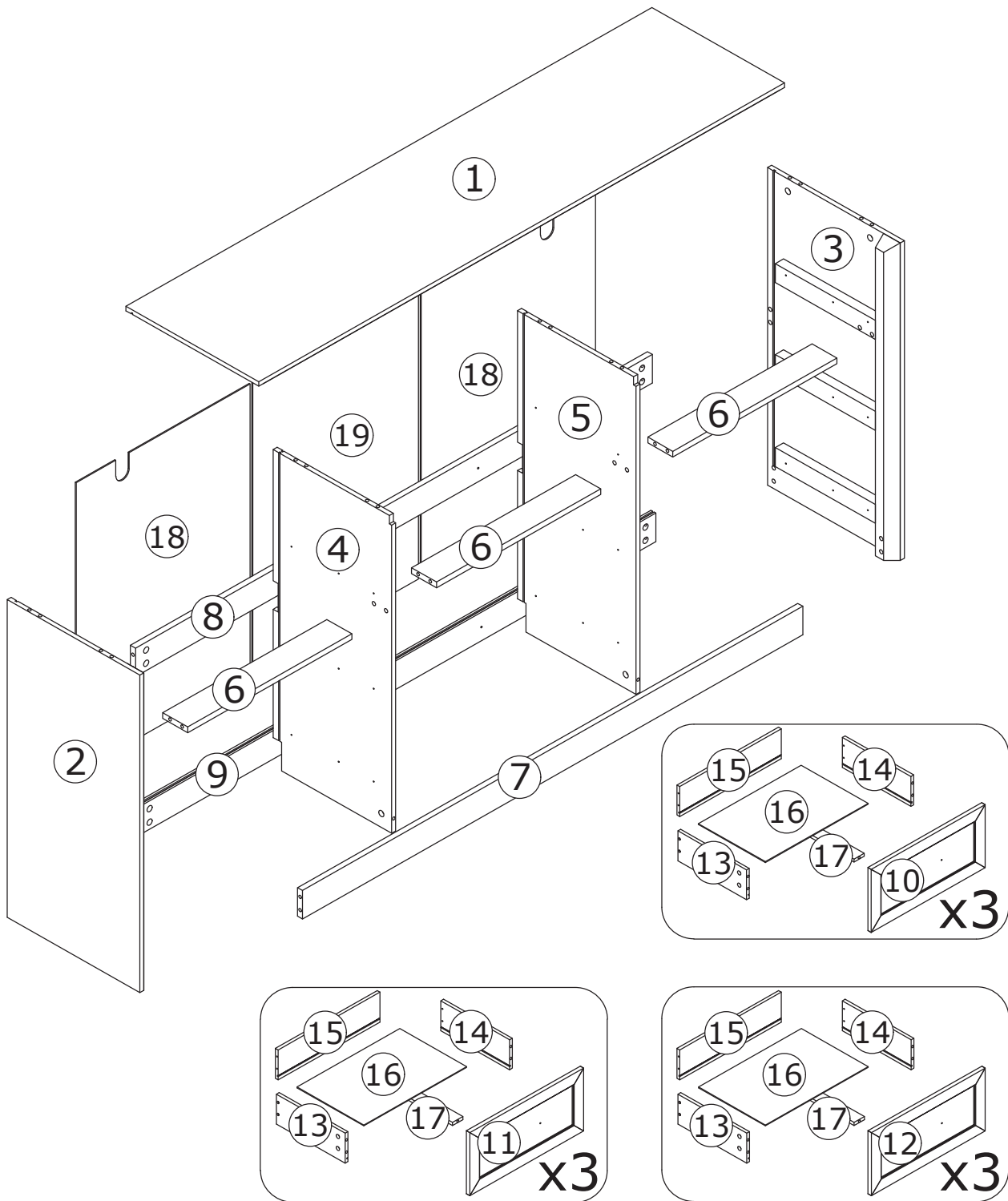


Ø 4 x 12 mm

x 9



300 mm



## ⚠ WARNING

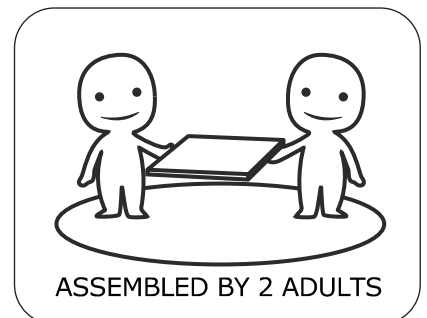


**Children have died from furniture tipover. To reduce the risk of furniture tipover:**

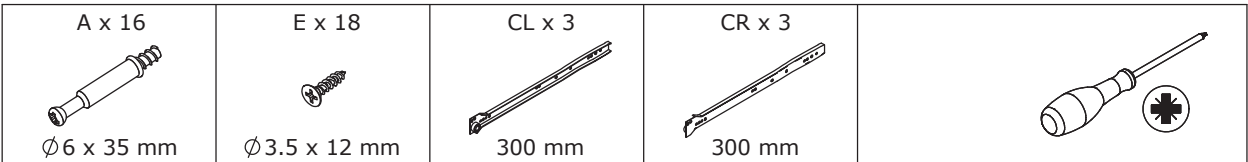
- ALWAYS install Anti-tip device provided.
- NEVER put a TV on this product.
- NEVER allow children to stand, climb or hang on drawers, doors, or shelves.
- NEVER open more than one drawer at a time.
- Place heaviest items in the lowest drawers.



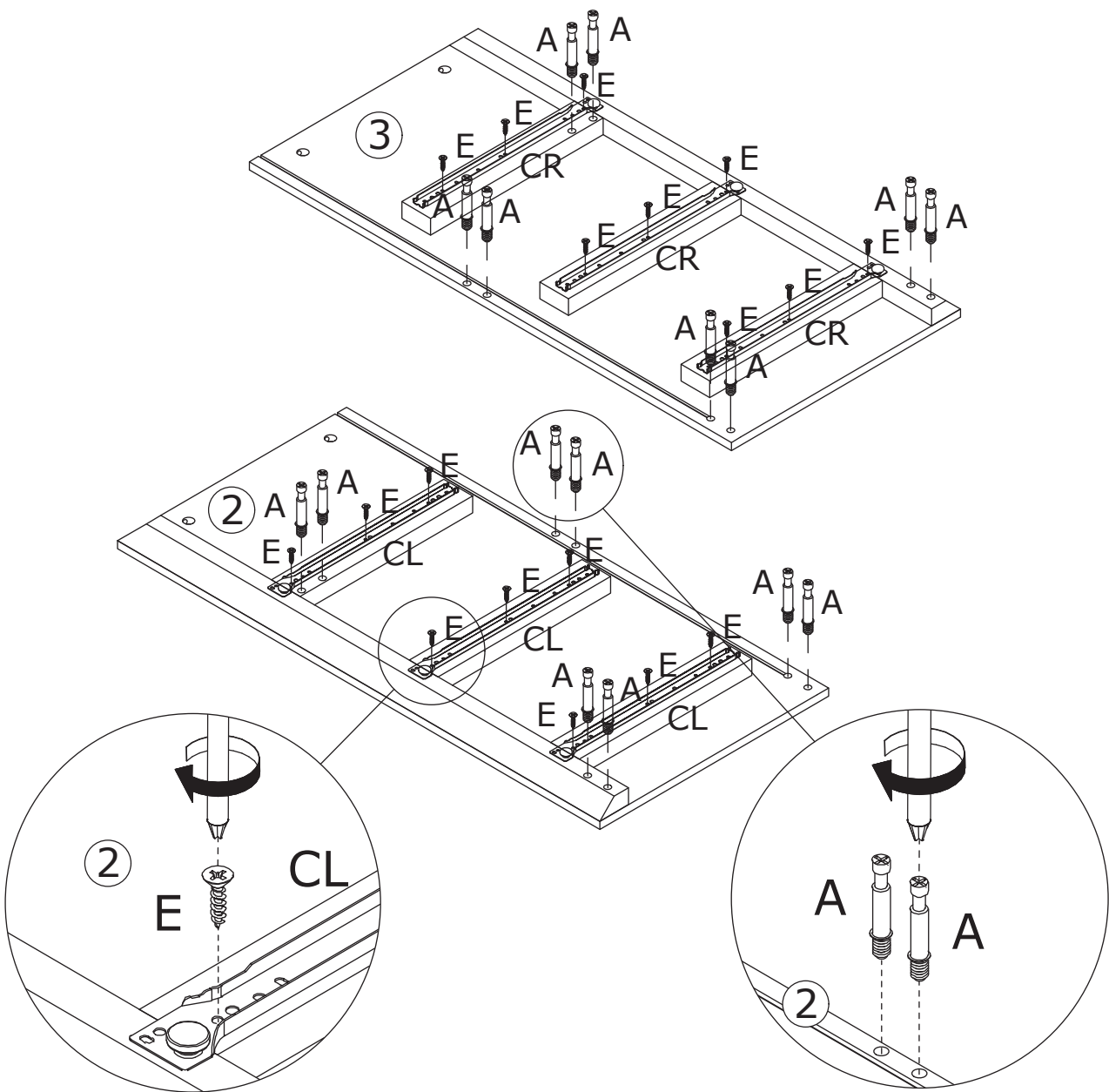
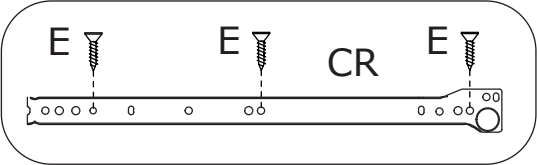
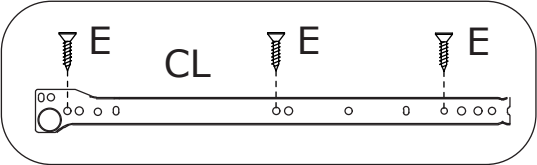
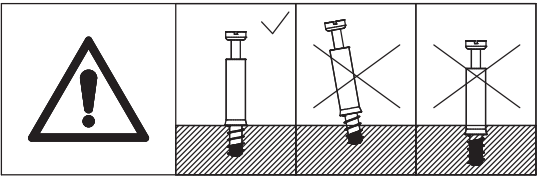
*This is a permanent label.  
Do not remove!*



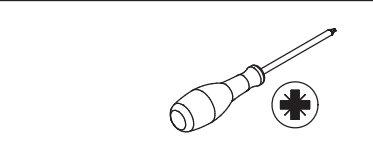
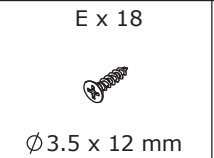
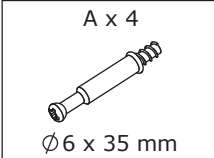
1



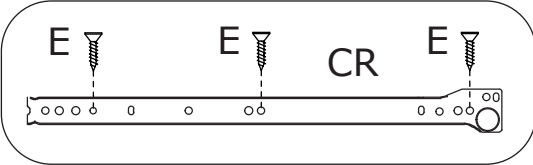
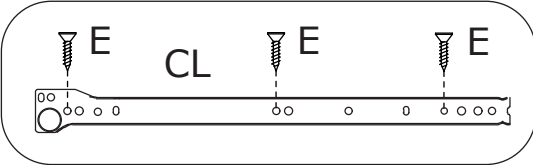
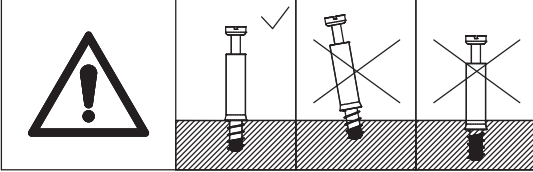
Lock the slide rail CR to Board 3 with screw E.  
Lock the slide rail CL to Board 2 with screw E.  
Lock the positioning rod A to the corresponding positions of Board 2 and 3, as shown.



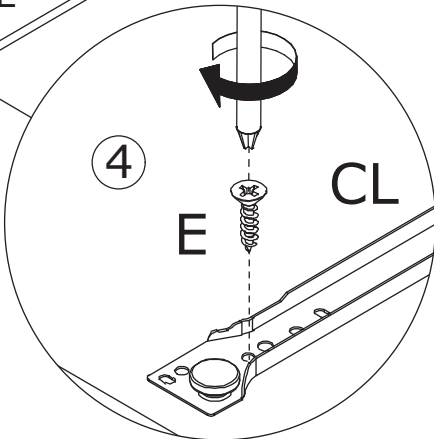
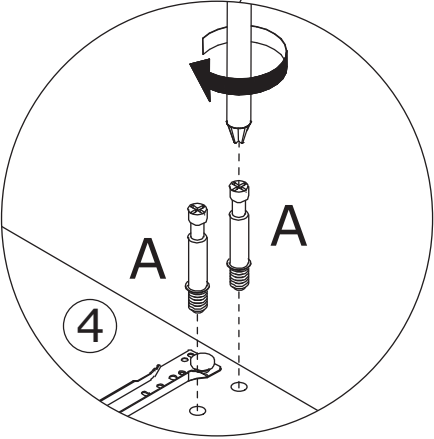
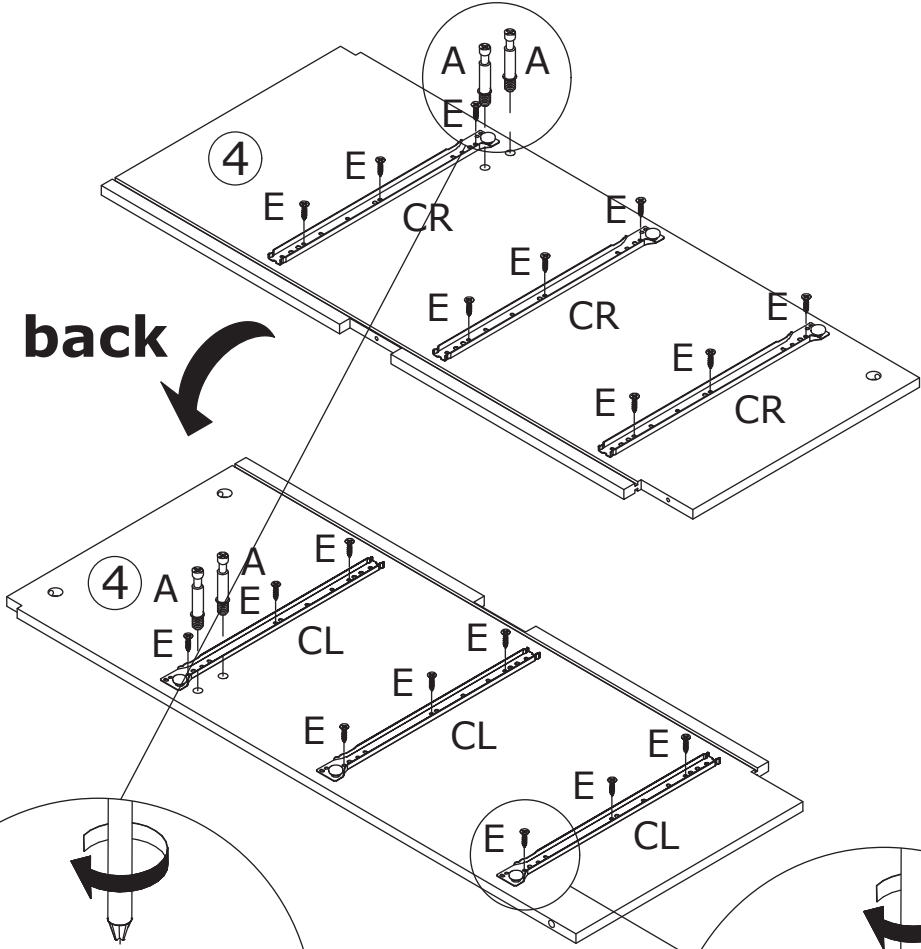
2



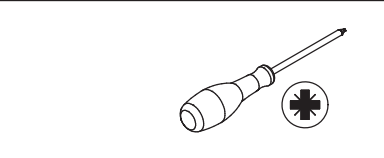
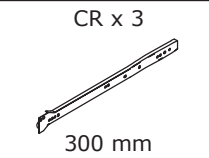
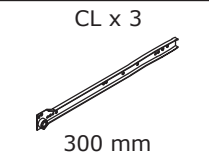
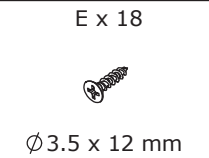
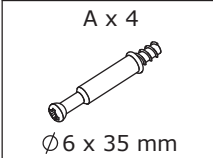
Lock the slide rail CR and CL to Board 4 with screw E.  
Lock the positioning rod A to the corresponding position on Board 4 as shown.



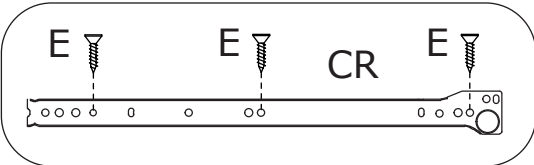
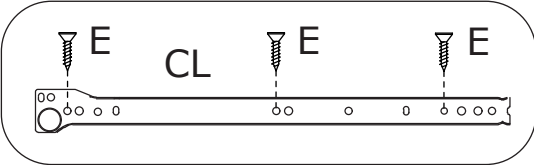
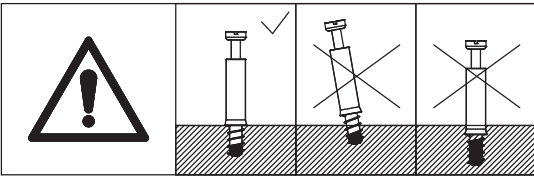
**Flip to back**



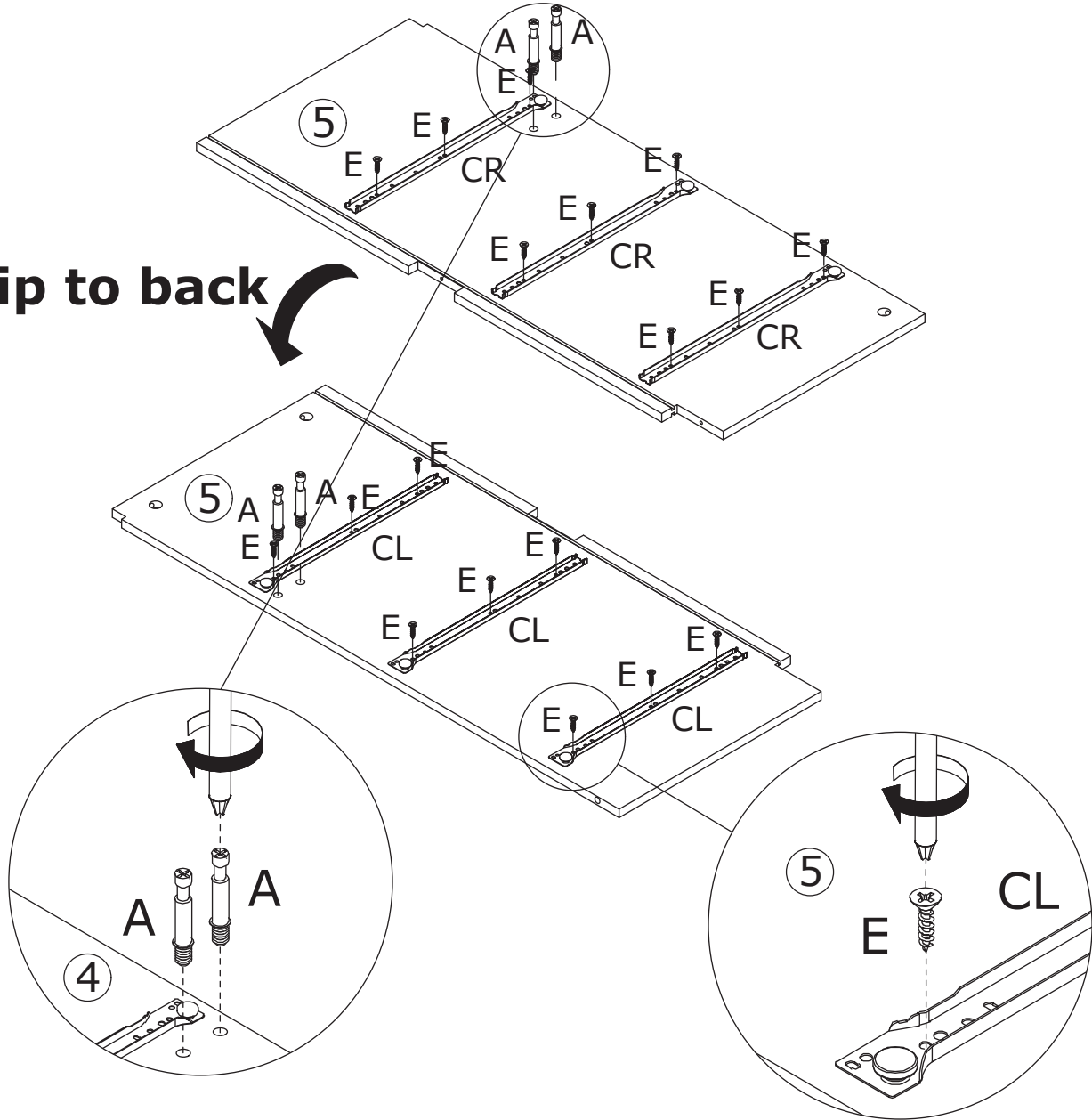
3



Lock the slide rail CR and CL to Board 5 with screw E as shown.  
Lock the positioning rod A to Board 5 as shown.

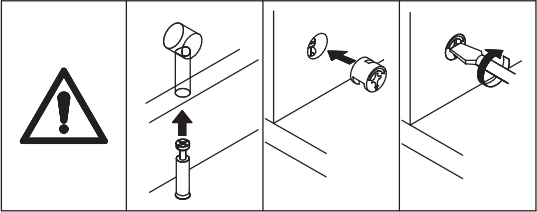


Flip to back

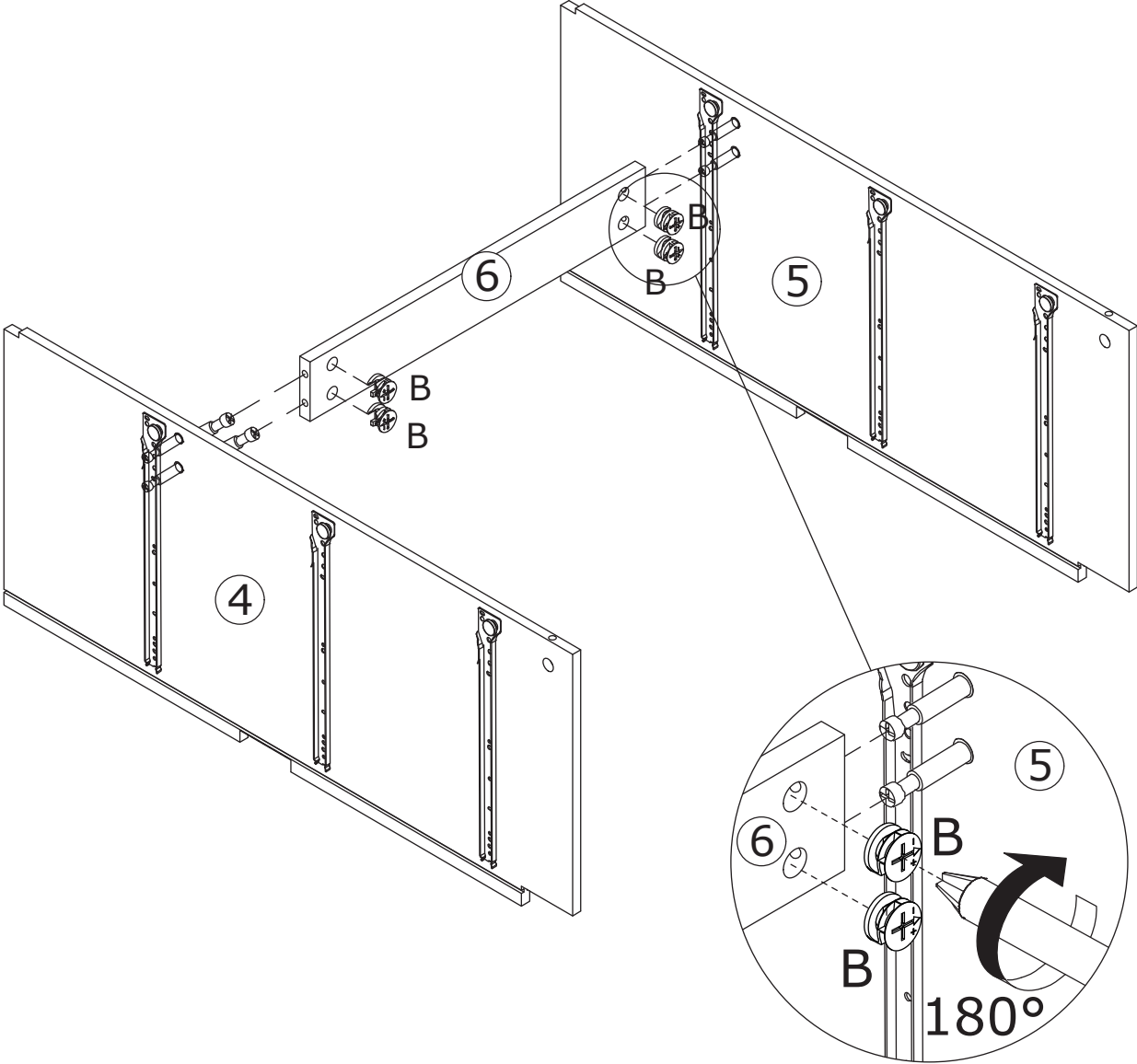


4

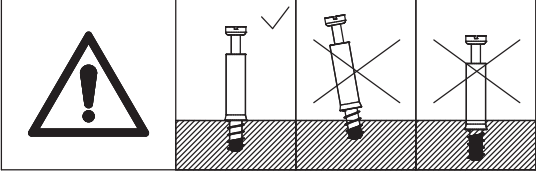
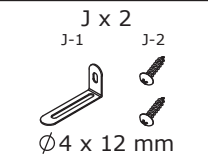
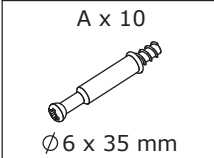
B x 4  
Ø 15 x 10 mm



Connect the Board 6 to Board 5 and 4 with the eccentric wheel B, and lock them as shown in the figure.

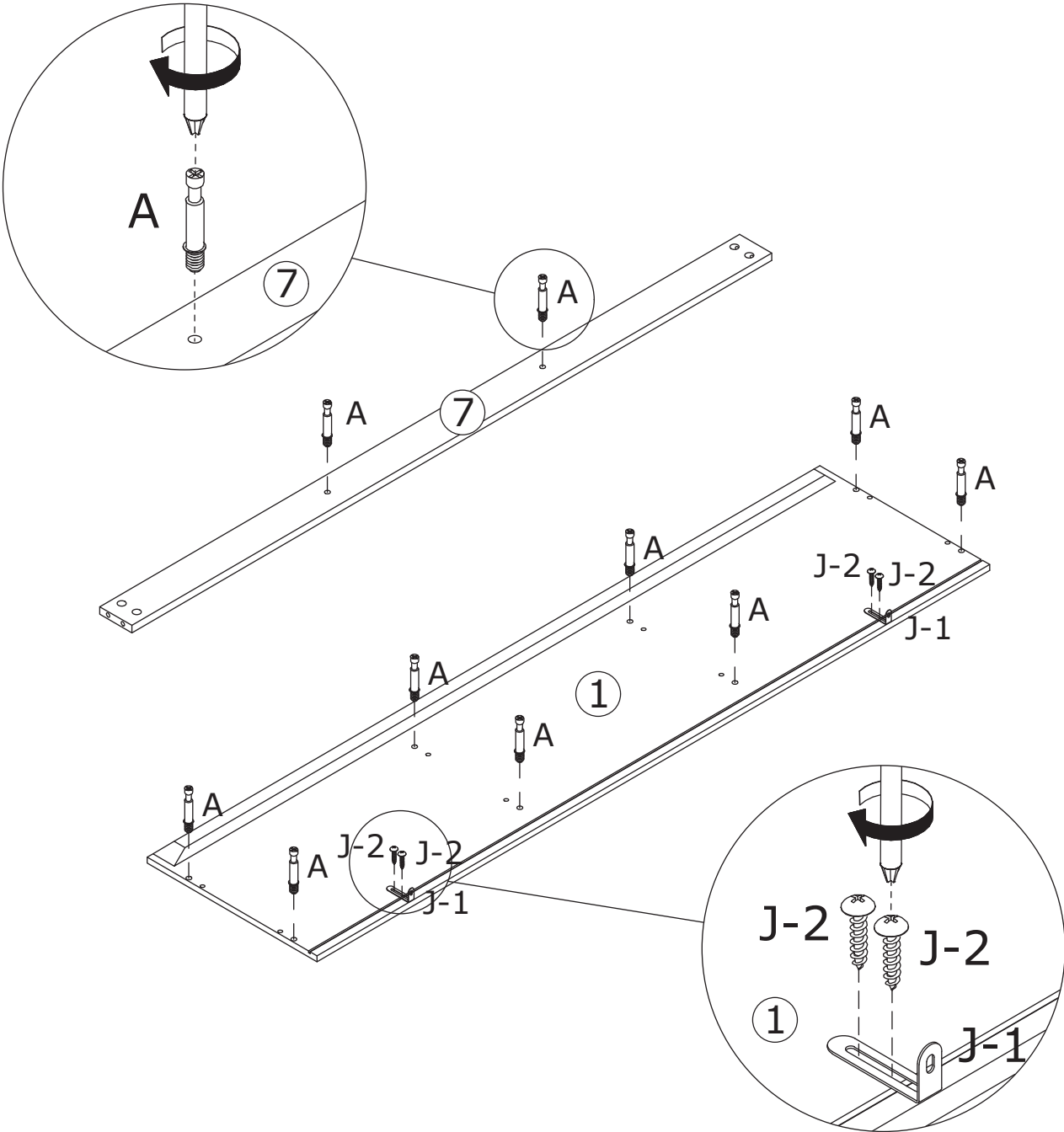


5



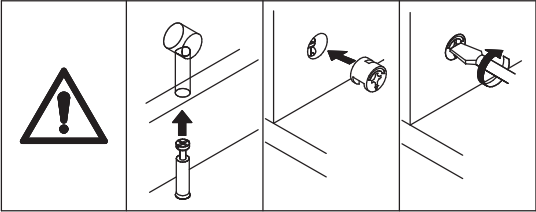
Lock the positioning rod A to Board 1 and 7, as shown in the figure.

Fix the screw J-2 through the anti-overturning iron sheet J-1 to Board 1.

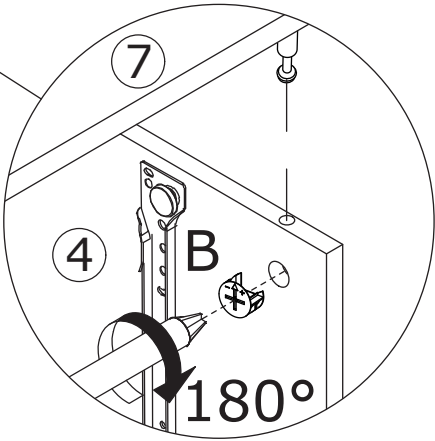
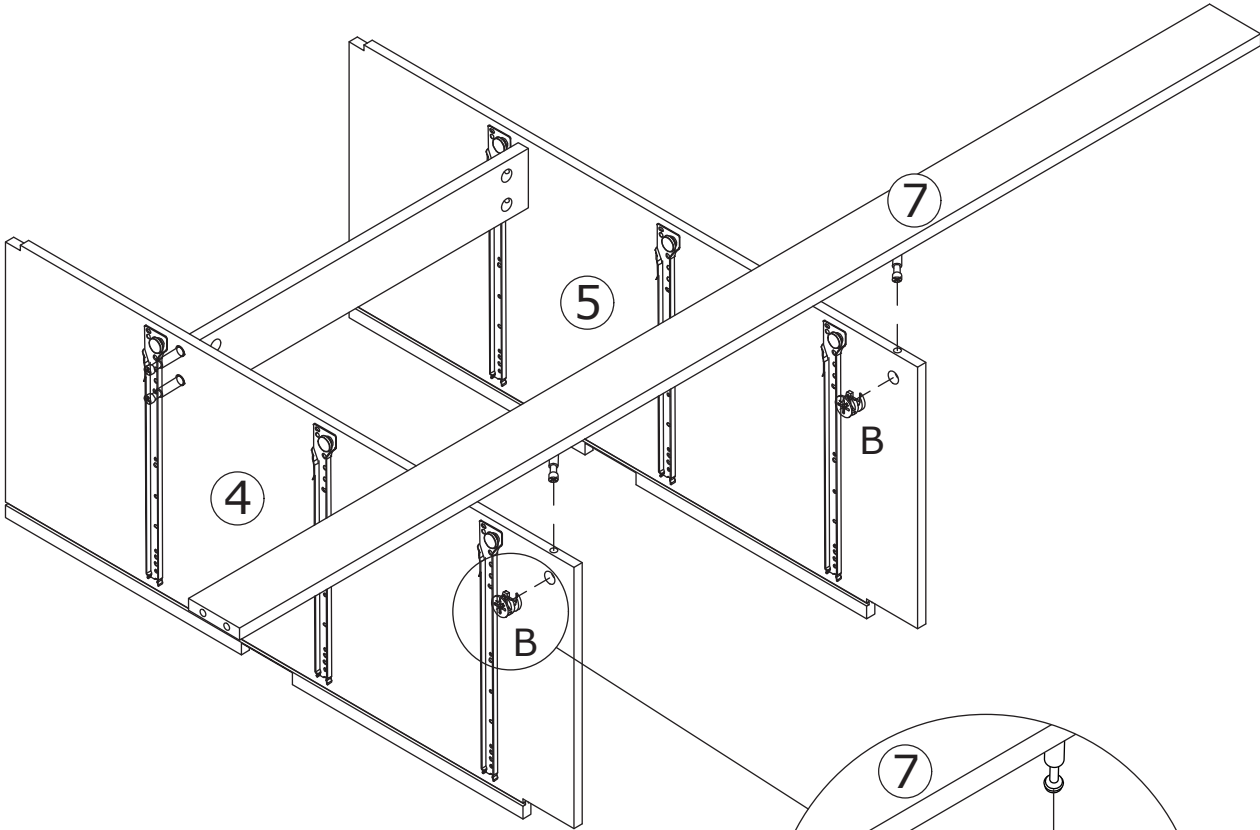


6

B x 2  
Ø 15 x 10 mm

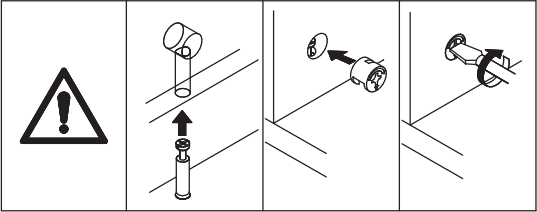


Connect Board 7 to Board 5 and 4 with the eccentric wheel B and lock them, as shown in the figure.

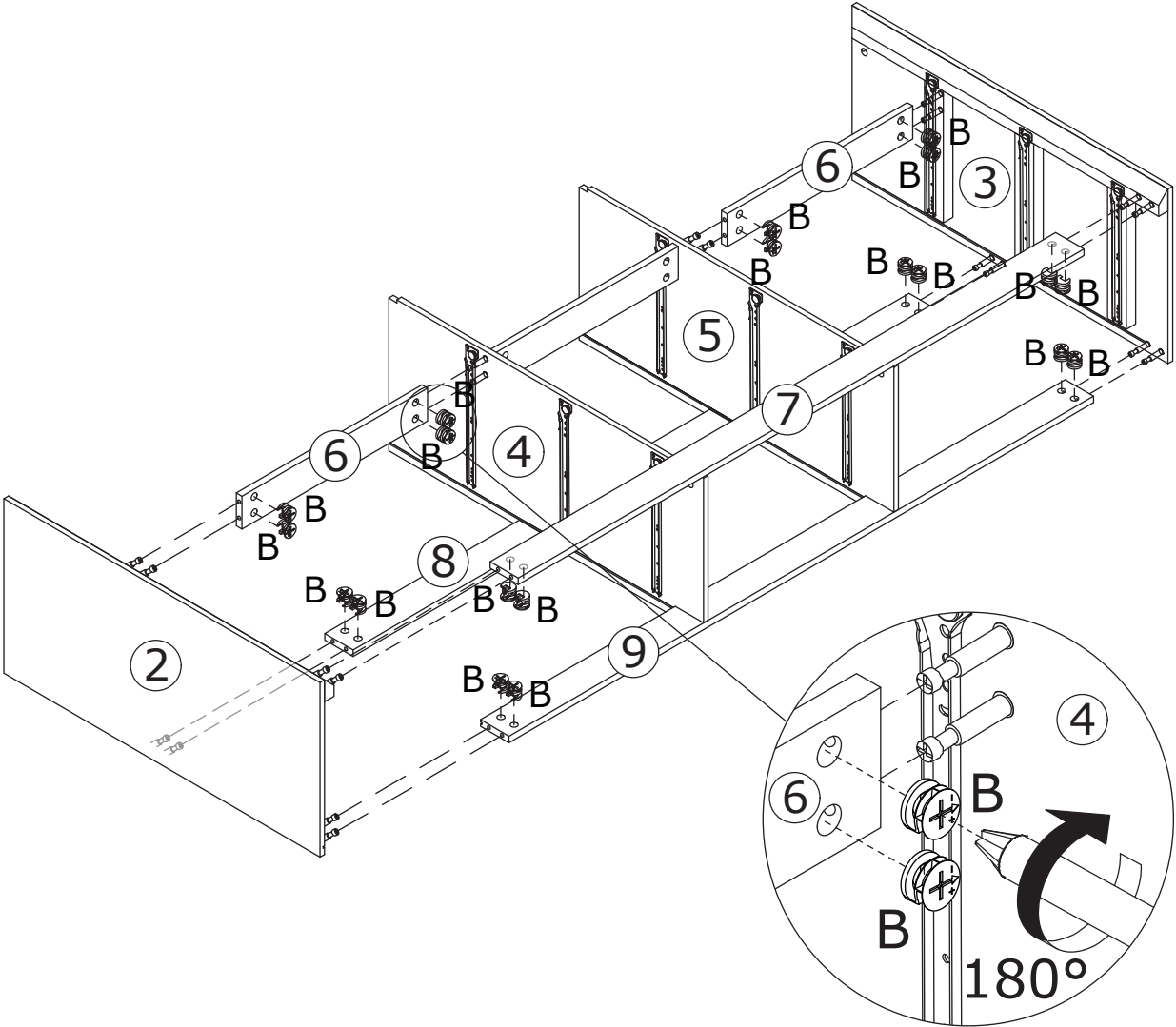


7

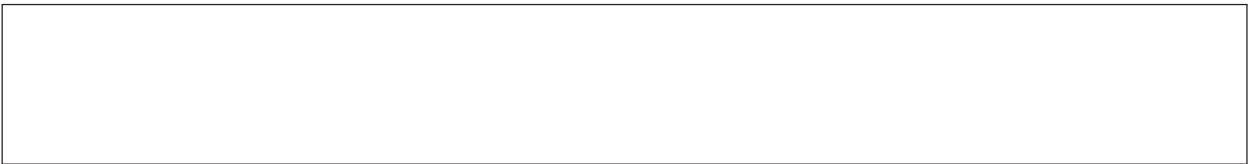
B x 20  
Ø 15 x 10 mm



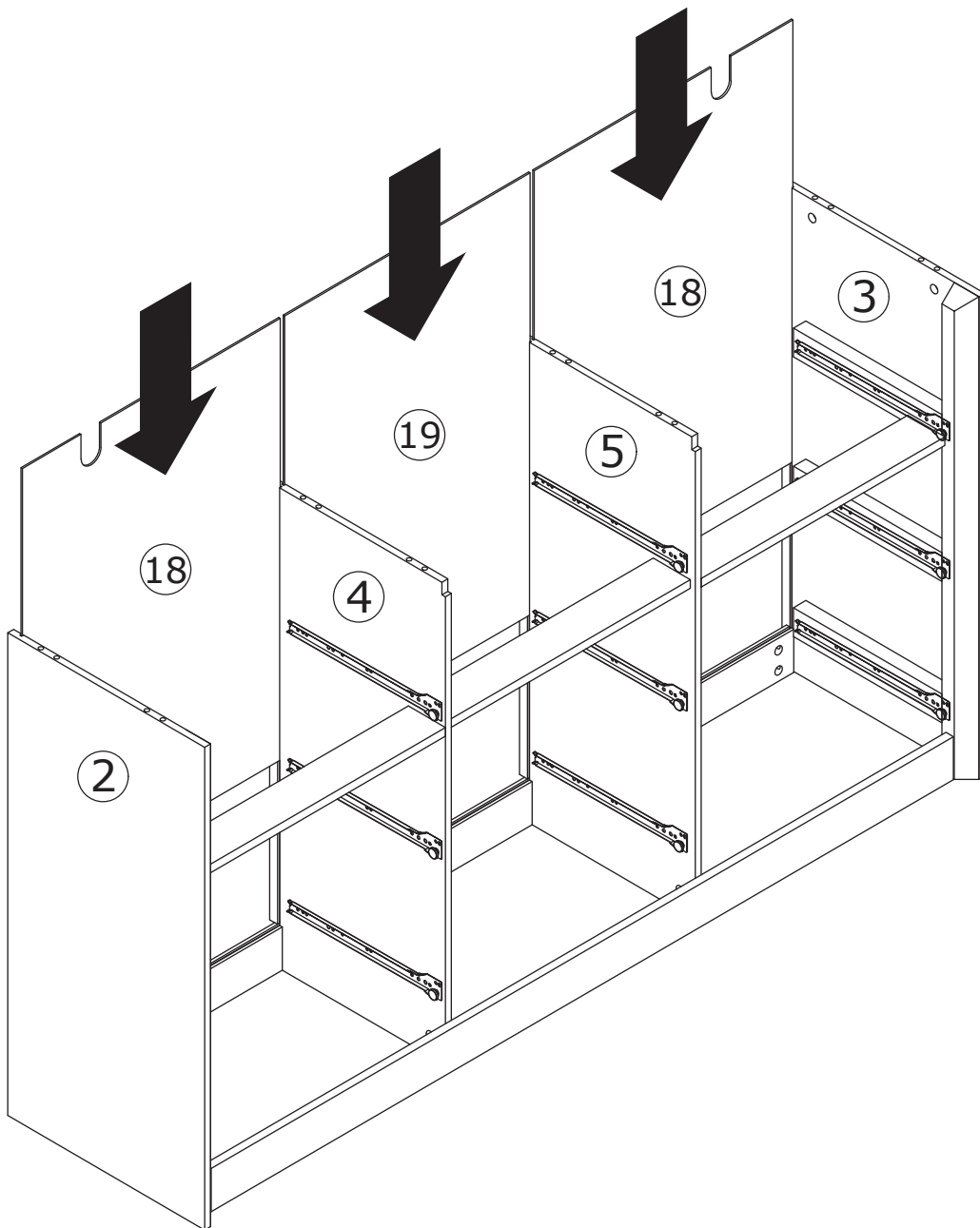
Connect Board 6 to Board 4 and 5 respectively with the eccentric wheel B, and lock them at first.  
Connect Board 2 and 3 to Board 6, 7, 8 and 9 with the eccentric wheel B, and lock them as shown in the figure.



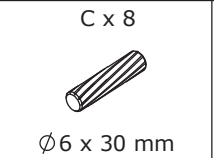
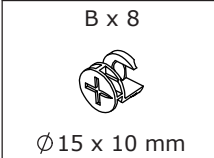
8



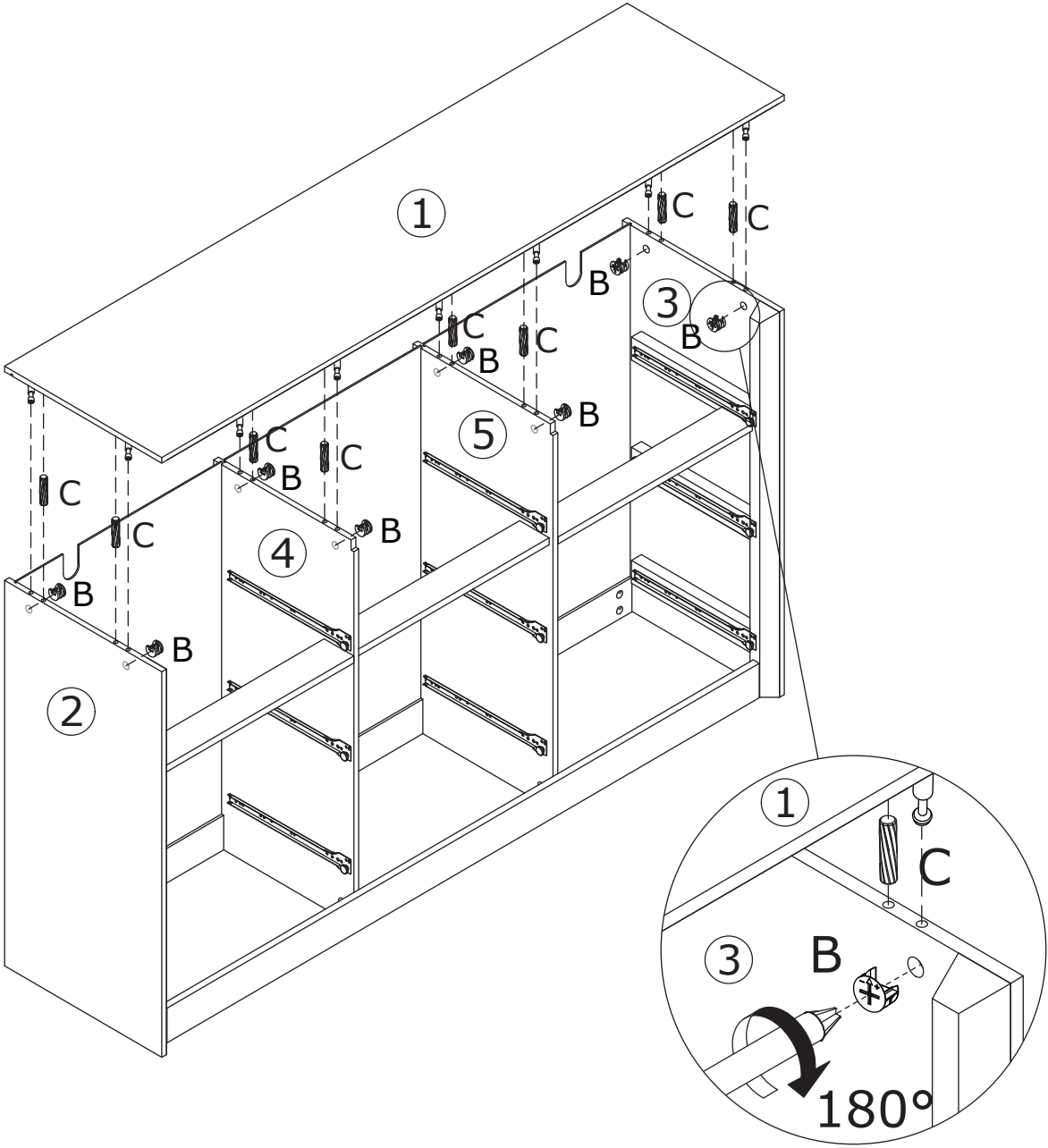
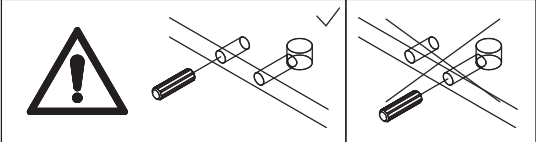
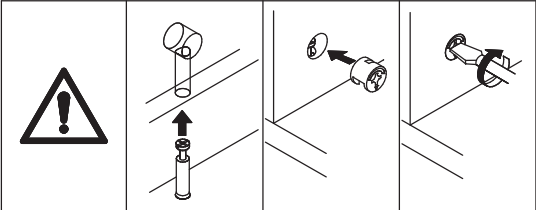
Insert back Board 18 and 19 into the slots as shown in the figure.



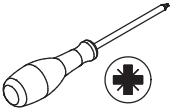
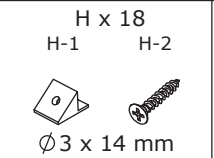
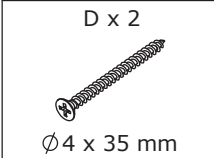
9



Insert the wooden tenons C into Board 2, 3, 4 and 5, as shown in the figure.  
Attach Board 1 to Board 2, 3, 4 and 5 with eccentric wheel B and lock them as shown.

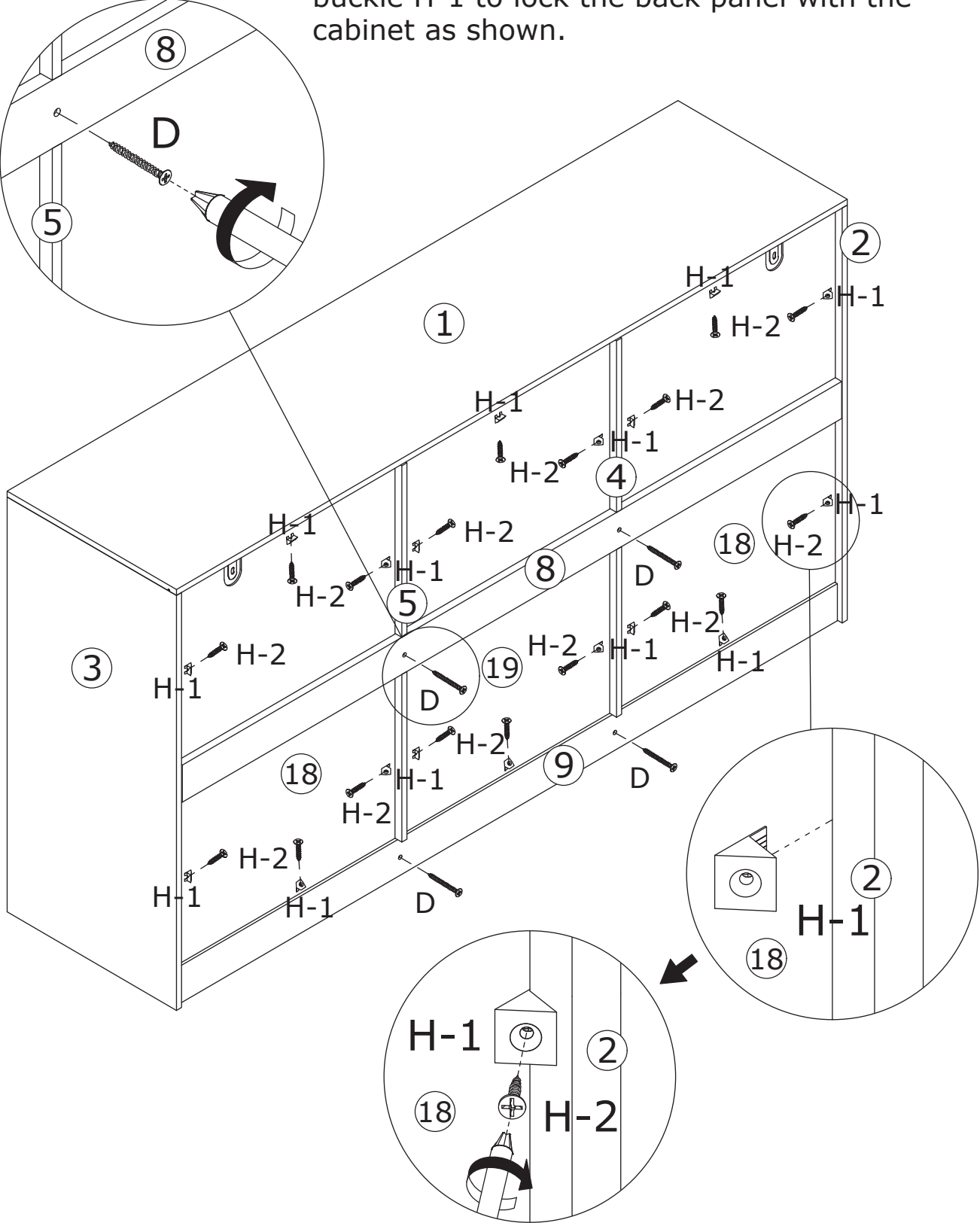


# 10

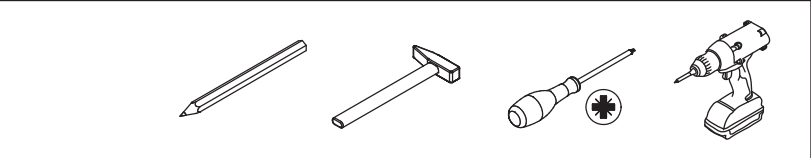
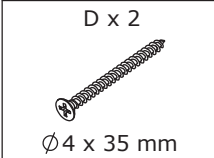


Lock Board 8 and 9 to the cabinet body with screws D as shown.

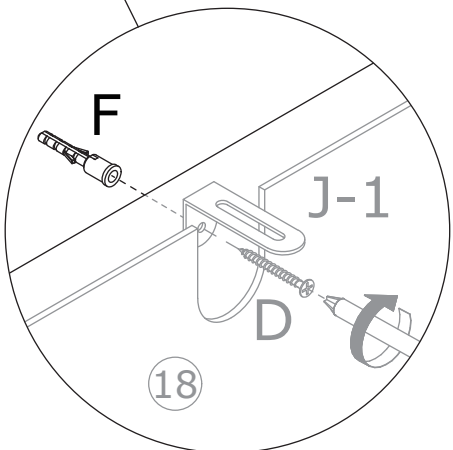
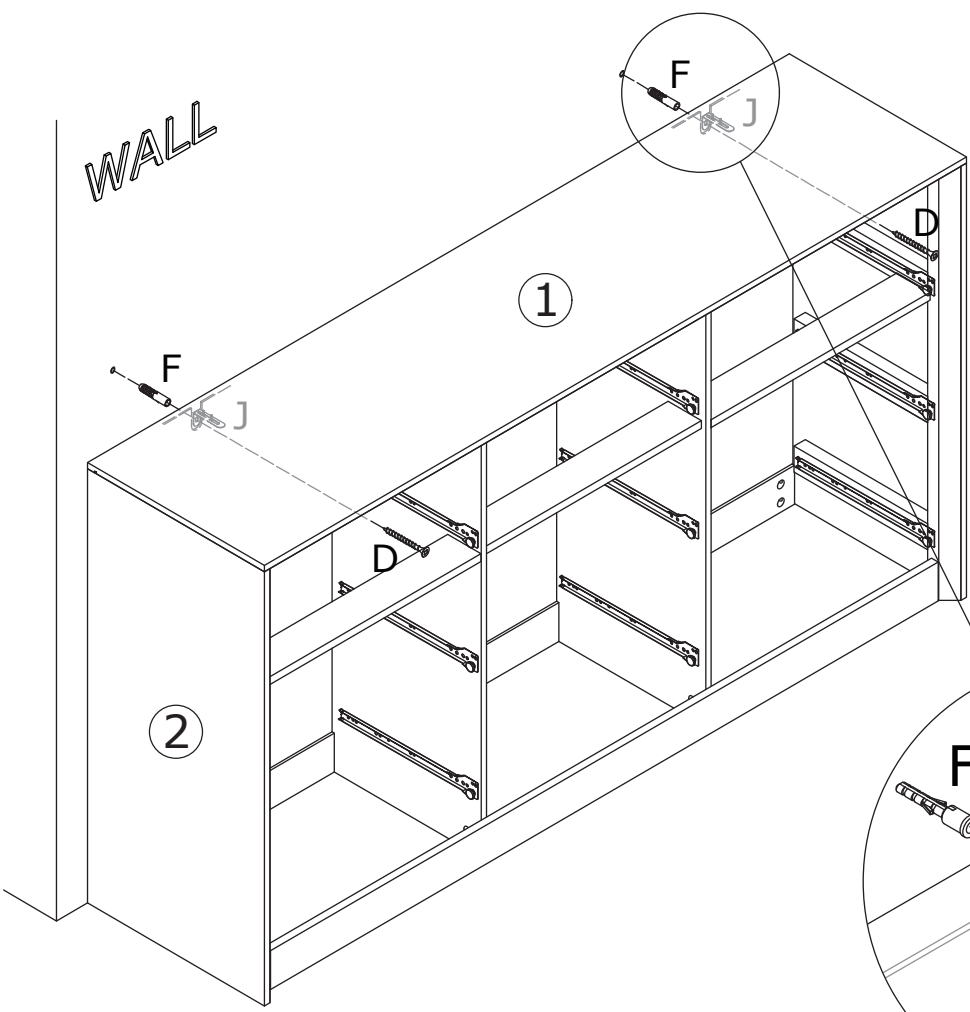
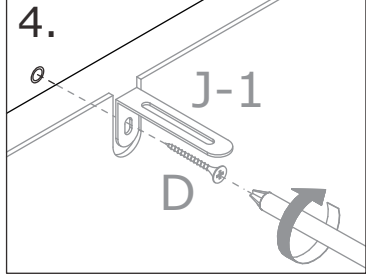
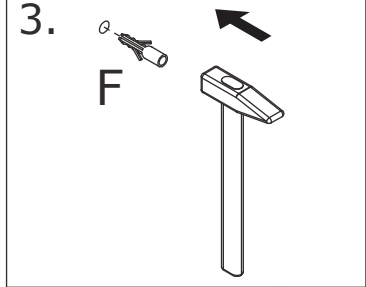
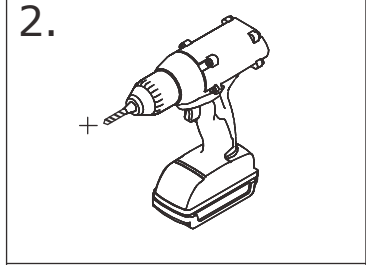
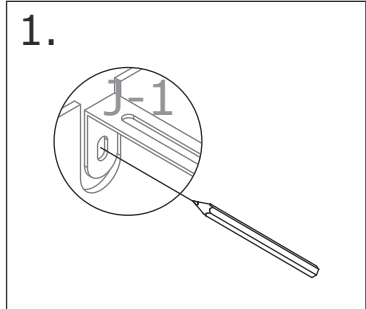
Use screws H-2 to pass through the back panel buckle H-1 to lock the back panel with the cabinet as shown.



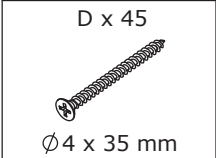
11



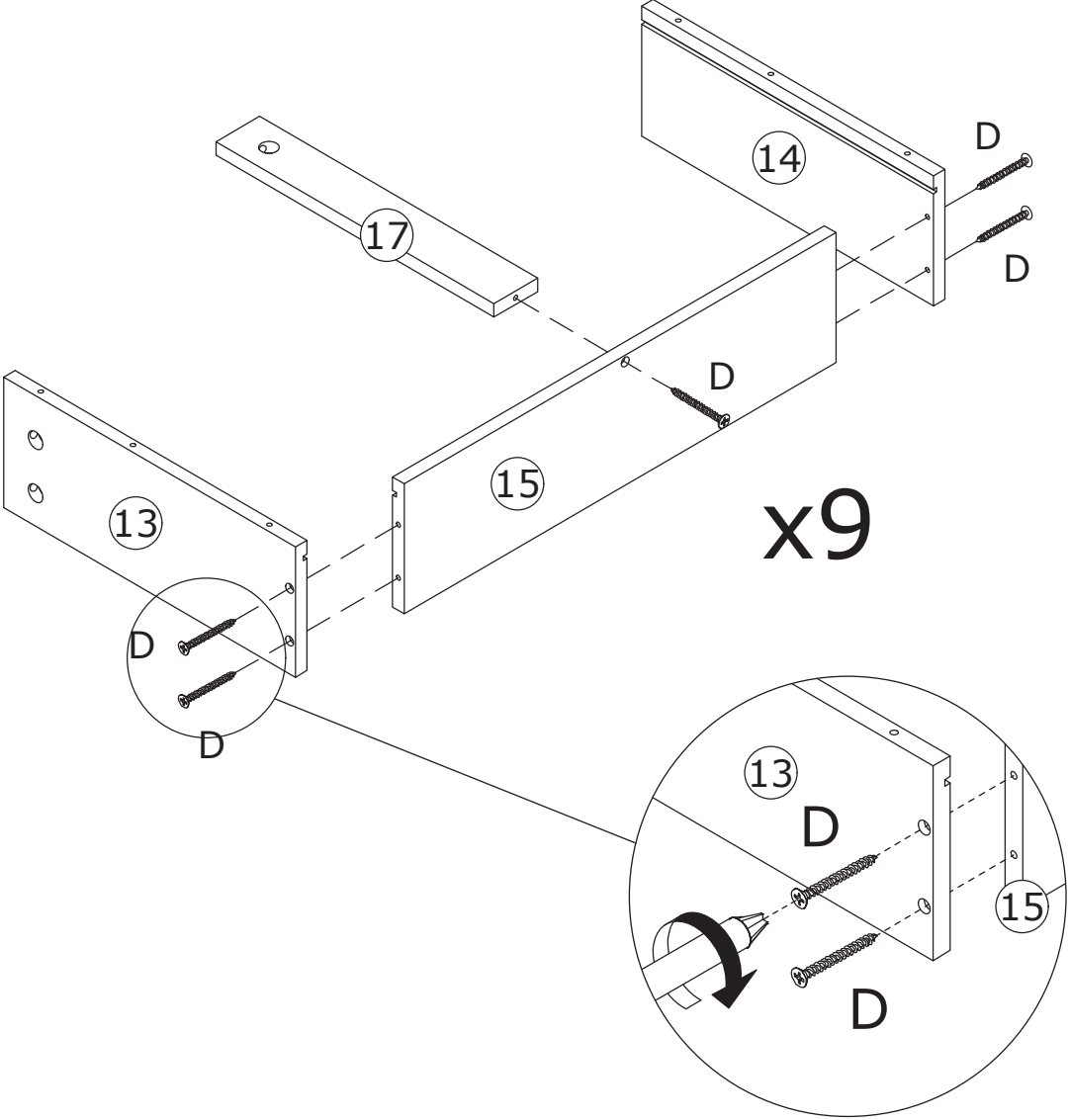
Use a pen to pass through the anti-sticking sheet J on the wall and mark the position. Drill holes in the positions marked on the wall with an electric drill. Then use a hammer to nail the expanded plastic F into the holes in the wall. Pass the screw D through the anti-overturning iron strip J and lock it with the plastic expansion F.



12

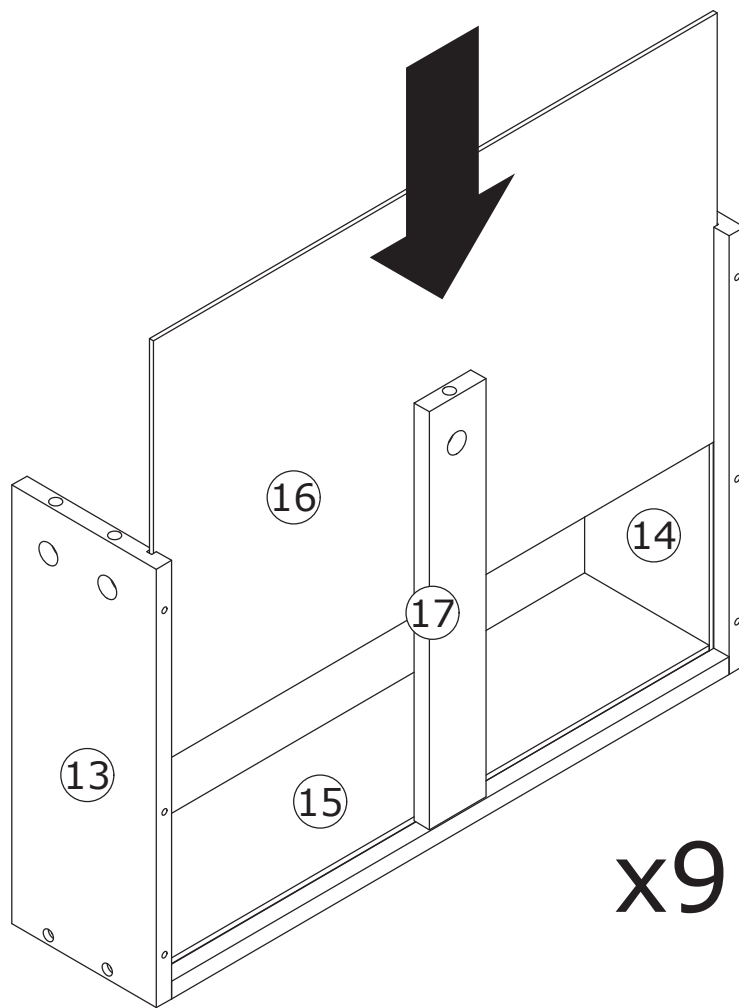


Connect Board 13, 14 and 17 to Board 15 with screw D as shown in the figure.

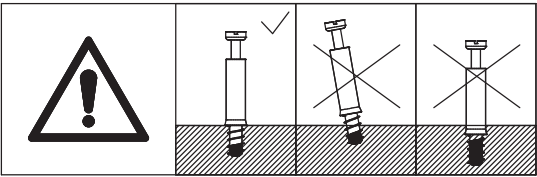
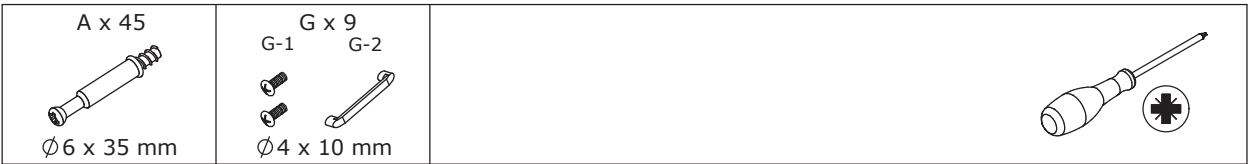


13

Insert Board 16 into the slot as shown in the figure.

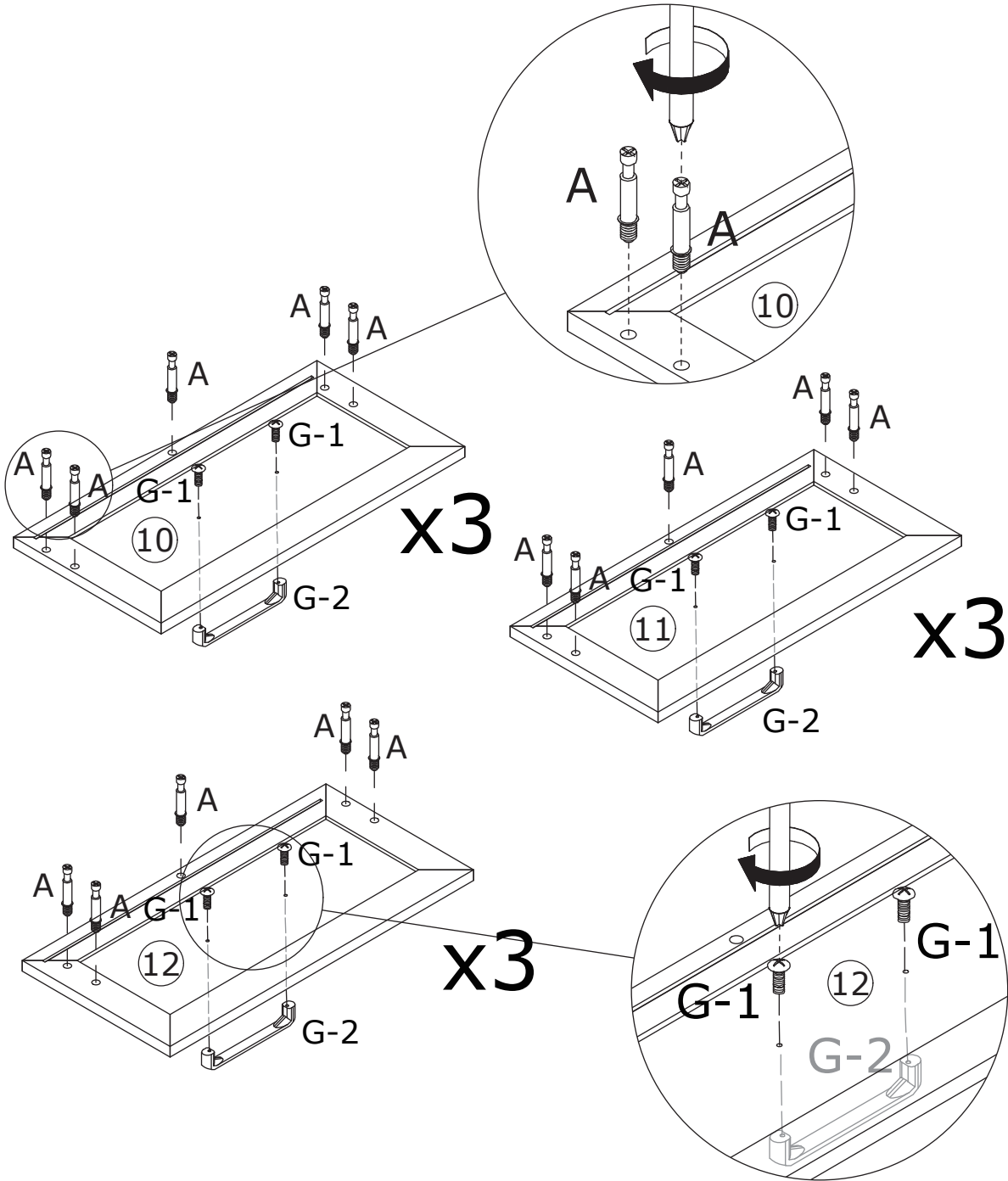


14



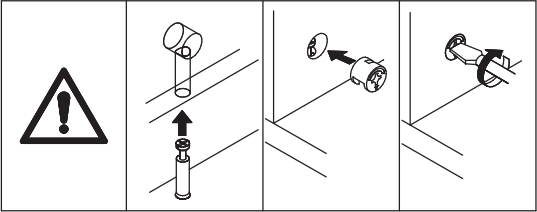
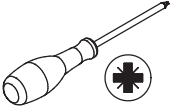
Lock the positioning rod A to Board 10, 11 and 12 as shown in the figure.

Fix the handle G-2 with the screw G-1.

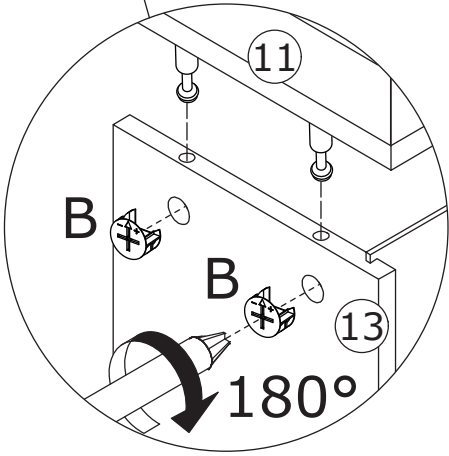
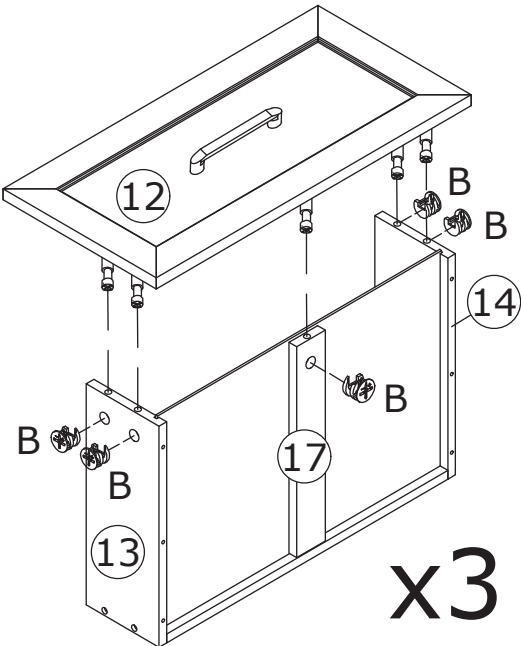
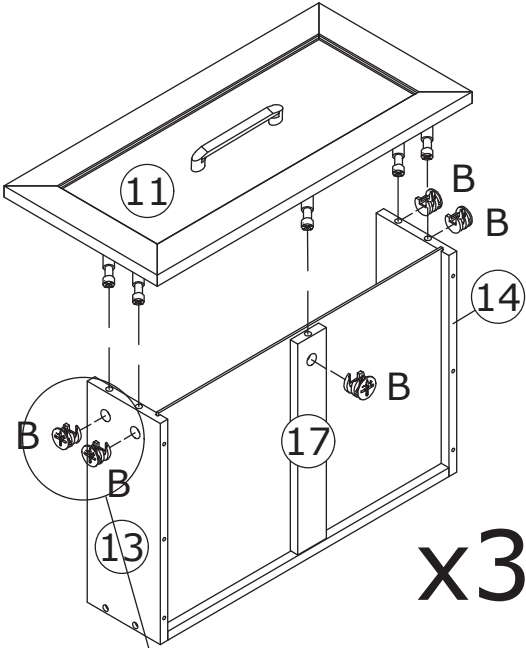
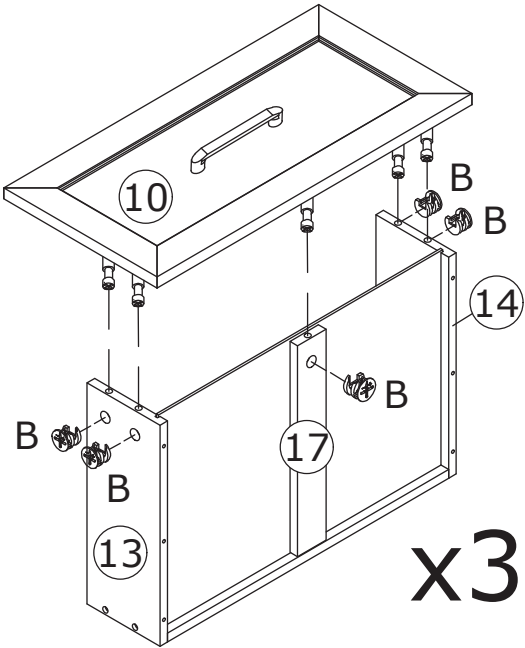


15


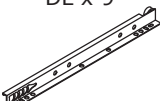

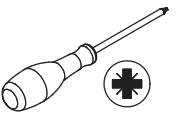
B x 45  
Ø 15 x 10 mm



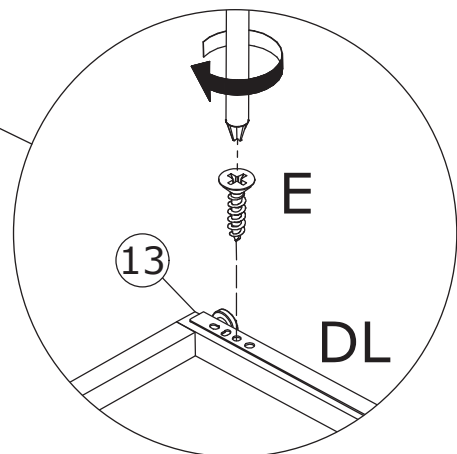
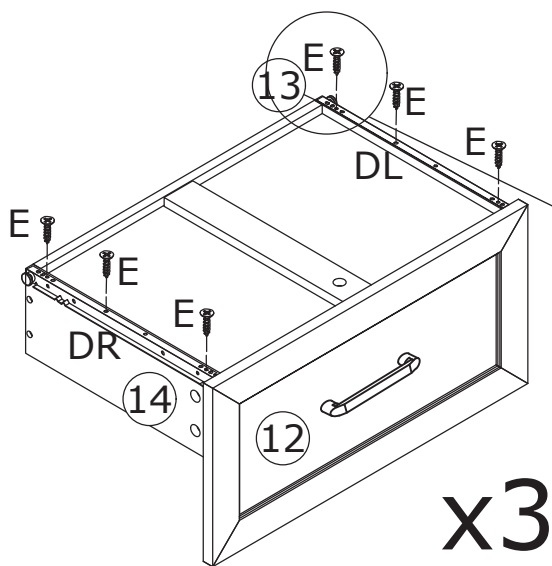
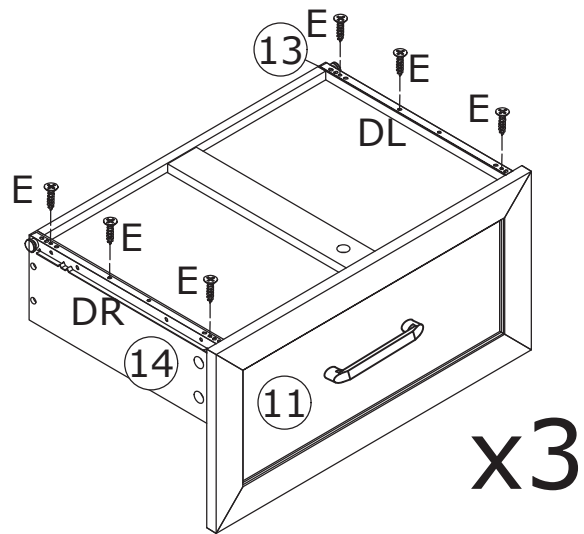
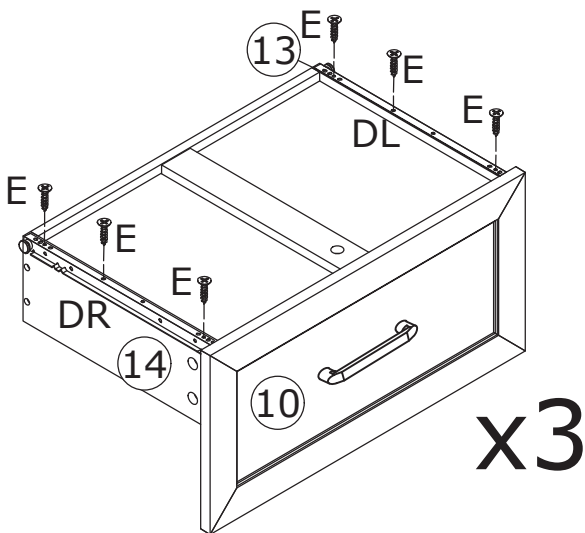
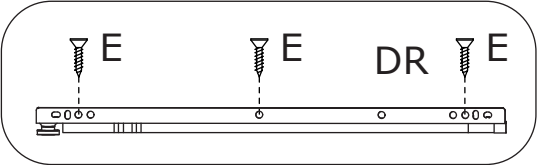
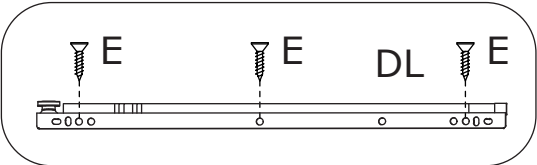
Connect Board 10, 11 and 12 to Board 13, 14 and 17 with the eccentric wheel B and lock them as shown in the figure.



16

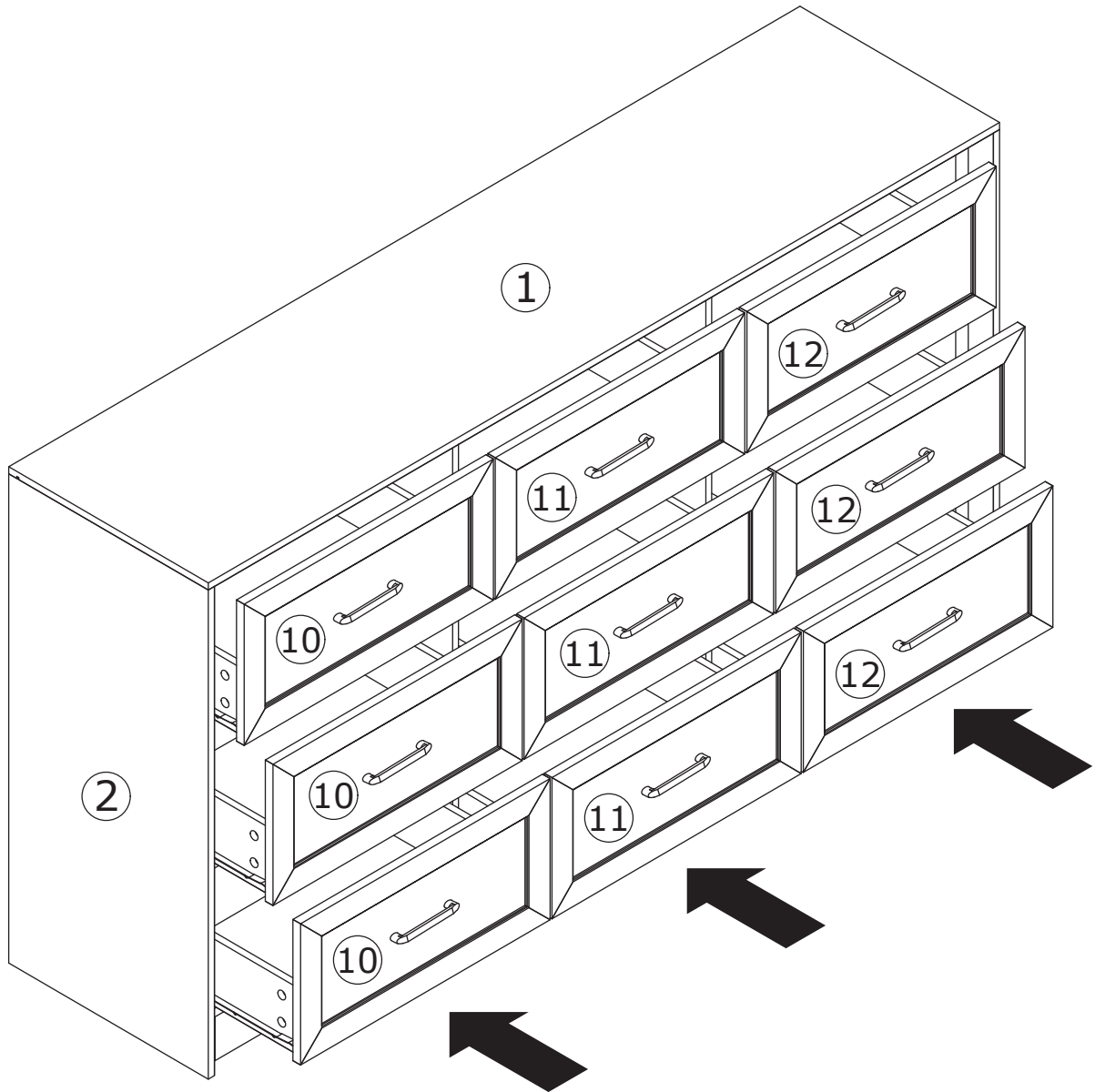
E x 54  Ø3.5 x 12 mm	DL x 9  300mm	DR x 9  300mm	
---	--	--	---

Lock the track DR and DL to Board 14 and 13 with screw E.



17

Place the drawers into the cabinet at the positions as shown.



# WARRANTY

## WARRANTY CLAIMS

- There is a 30-day warranty for broken furniture or any other problems that do not work properly. The warranty will start from the date of purchase which must be verified by proof of purchase.
- Before making a claim, we may be able to answer your query, simply call us. Please leave your purchase order number, along with some details of the problem, if you want a replacement part. We will arrange within 48 hours. If there is out of stock, we will reply with a shipping date.
- The product must be used in accordance with the instructions provided. For health reasons.
- For other reasons, if the furniture needs to be returned, it must be cleaned and dried and operated within 30 days of receipt.

## Type of Warranty Claim

- Failure to follow the furniture instructions will invalidate the warranty. Attention please.
- Does not include damage during installation, but includes damage during transportation.

## Scope of responsibility

- Shall not bear any responsibility for misuse or user damage and / or loss of parts during the installation of furniture.
- After using, the damage and scratches of the furniture are not covered by the warranty.

## The Warranty Relates to All Bought in The Us and Covers The Following Areas

- Sheet parts: 1 month from the date of purchase.
- Electrical parts: 1 month from the date of purchase.

# RETURNS

## CHANGED YOUR MIND AND NEED TO RETURN YOU ITEM?

### PLEASE FOLLOW THE BELOW INSTRUCTIONS:

- If you have purchased and have simply changed your mind, follow the retailer's instructions for returns.

### DEFECTIVE ITEMS

- If your item is defective in any way, i.e. it doesn't work but you can't identify why, in the first instance, please call us.

### DAMAGED ITEMS

- If you receive an order with obvious shipping damage from the retailer, then we suggest the delivery is refused. If the delivery has been accepted and then shipping damage is found, please follow the specific instructions advised by the retailer.  
In all circumstances please save all packaging material and paperwork for the order. Please be aware that if you dispose of packaging material or attempt to return the merchandise without contacting the fulfiller, you jeopardise your chances of making a claim, and you may not receive a credit for the return.

### AFTER-SALES CONTACT



adelahu@fufugaga.com



208-820-0068