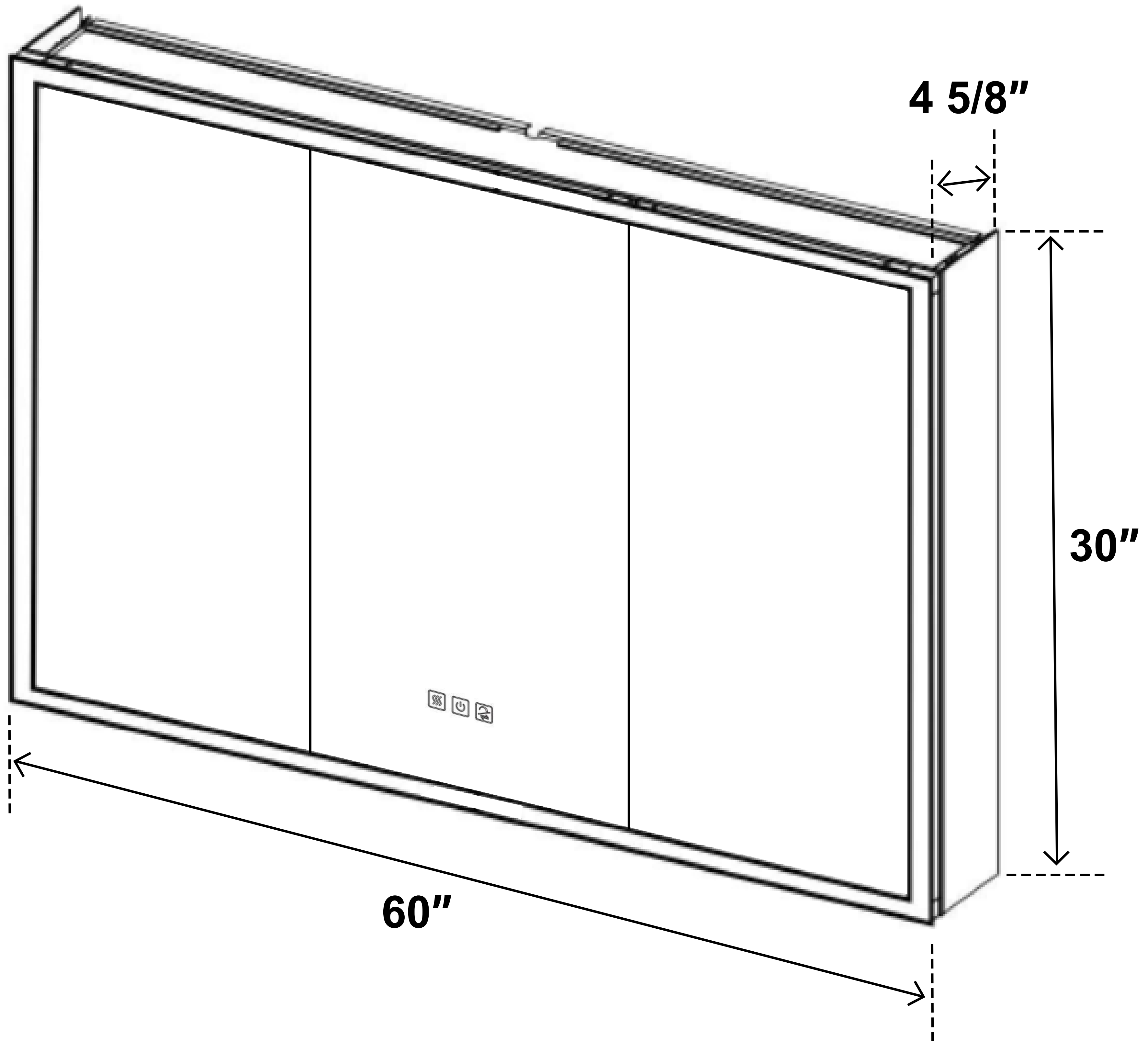


**AYLA-W12MCL6030**

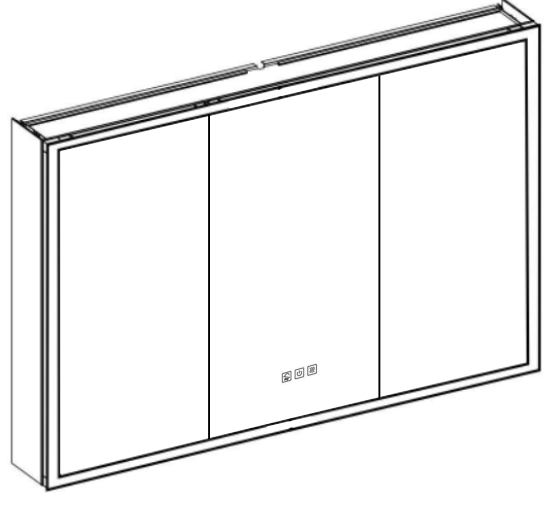
**INSTALLATION**

**LIGHTED MEDICINE CABINET** Lighting and Defogger

**PRODUCT SERIES INFORMATION**



**\*WARNING:** Do not remove corner proctors & paper cushions, please remove after installation. Please retain the cabinet accessories during the installation process for future needs, for example, screws, nuts, cap and other similar components. Requires three(3) person in installation.



**AYLA-W12MCL6030**

**INSTALLATION**

**LIGHTED MEDICINE CABINET** Lighting and Defogger

## IMPORTANT SAFETY INSTRUCTIONS

When using an electrical furnishing, basic precautions should always be followed, Requires three(3) person in installation.



**DANGER**

**READ AND FOLLOW ALL INSTRUCTIONS  
BEFORE USING THIS MIRROR CABINET**



**WARNING**

To reduce the risk of burns, fire, electric shock or injury to persons. Use this furnishing only for its intended use as described in these instructions. Do not use attachments not recommended by the manufacturer. Never drop or insert any object into any opening. Do not use outdoors.



**WARNING**

Risk of electric shock. Connect this furnishing to a properly grounded circuit only. See Grounding instructions.

### **GROUNDING INSTRUCTIONS:**



**WARNING**

This product must be connected to a grounded metal, permanent wiring system, or an equipment-grounding conductor must be run with the circuit conductors and connected to the equipment-grounding terminal or lead on the product.

An Electrical option cabinet must be wired to a 20 Amp GFI (Ground Fault Interrupter) protected circuit when used in bathrooms and all other locations required by the National Electric Code.

---

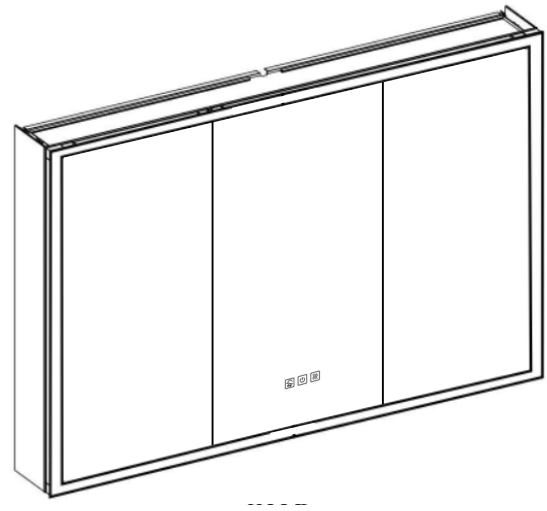
**NOTE:** To ensure the normal use of product, it is required to set out wires as per the regulations of IEE. The product is only applicable to the indoor installation. The installation must be executed by a professional electrician, wrong installation may lead to product damage and personal injury.

---

PLEASE SAVE THESE INSTRUCTIONS FOR FUTURE REFERENCE

ALL RIGHTS RESERVED

PAGE 2



**AYLA-W12MCL6030**

**INSTALLATION**

**LIGHTED MEDICINE CABINET** Lighting and Defogger

## ELECTRIC CONNECTIONS

**ALL WIRING SHOULD BE DONE BY A QUALIFIED LICENCED ELECTRICIAN**



**WARNING:** Shut off power before wiring the mirror.



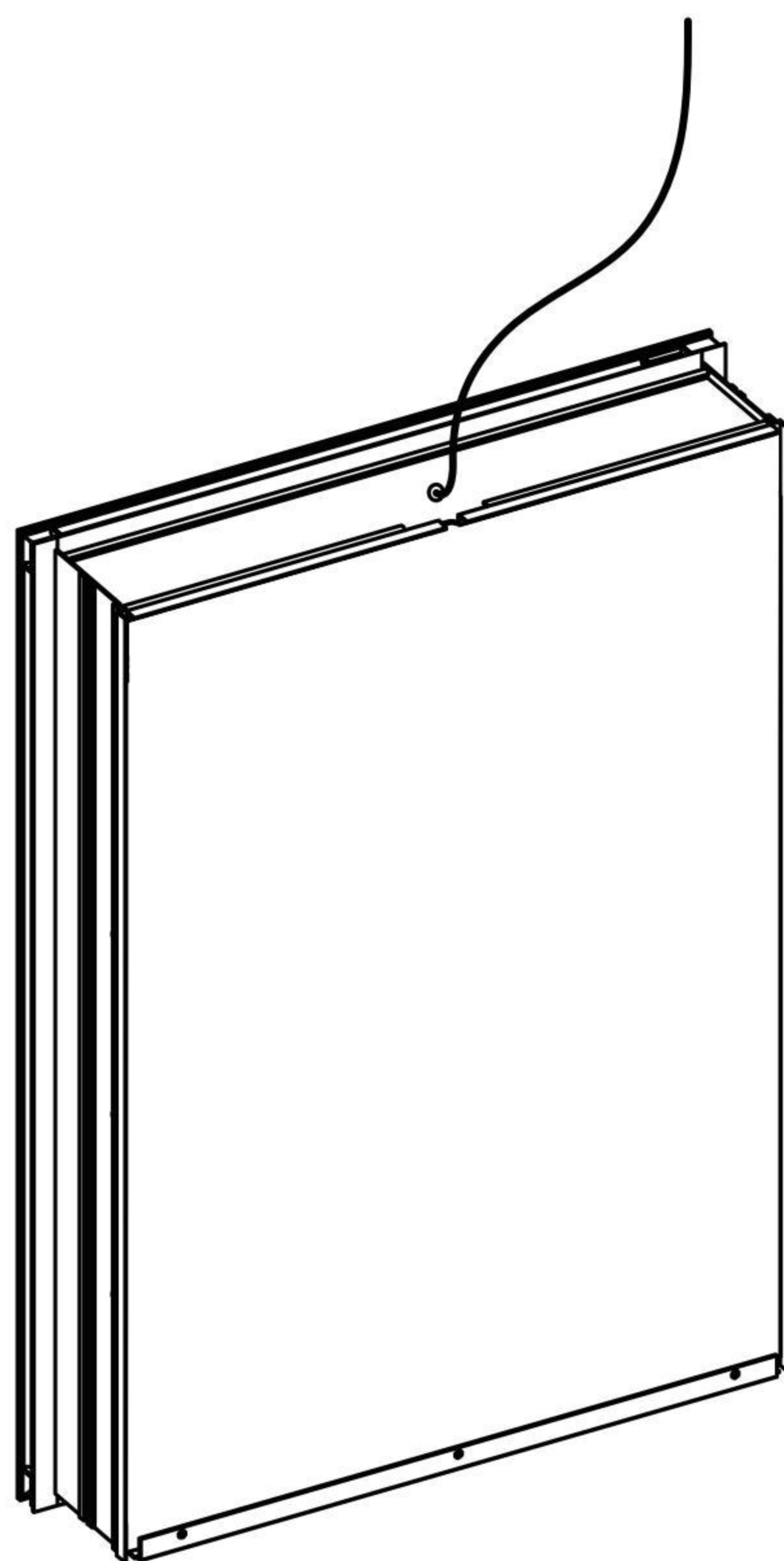
**WARNING:** An Electrical option mirror must be wired to a 20 Amp GFI (Ground Fault Interrupter) protected circuit when used in bathrooms and all other locations required by the National Electric Code.



**WARNING:** This mirror must be connected to a grounded, metal permanent wiring system or an equipment-grounding conductor must be run with the circuit conductors and connected to the equipment grounding terminal or lead on the mirror.

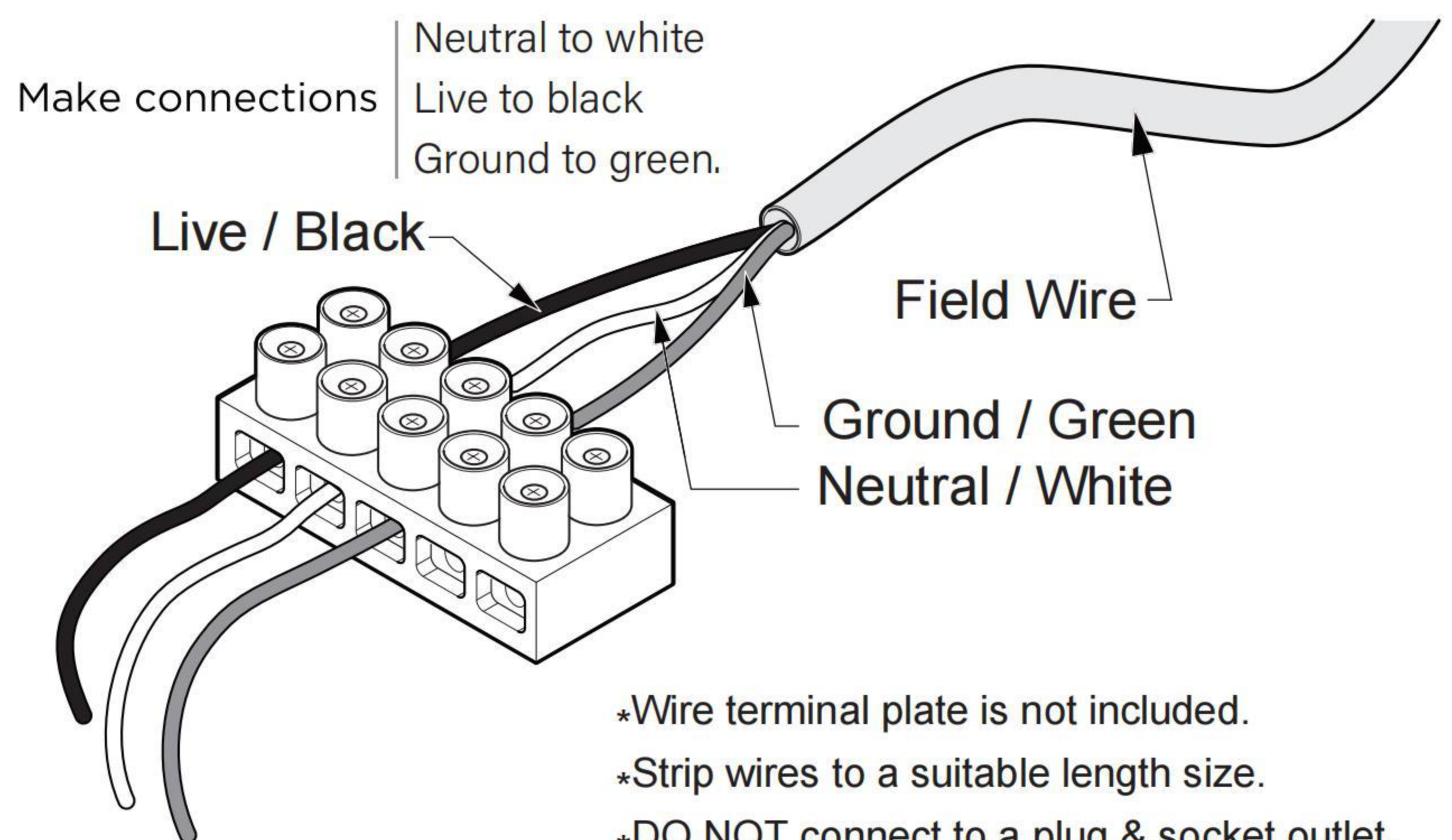


**CAUTION:** Requires 120 VAC 20 Amp GFI protected circuit.



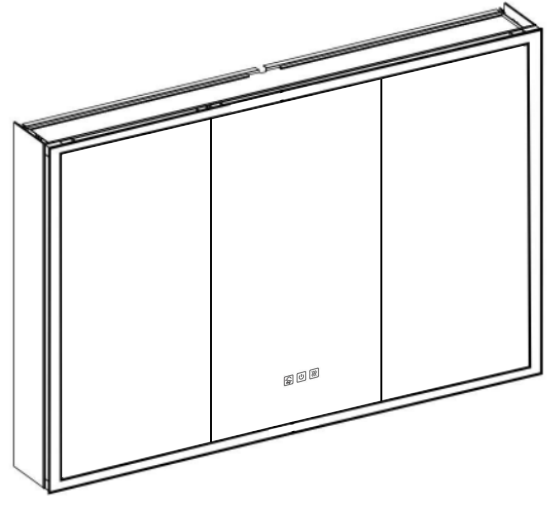
**Electric wiring:** Be sure to provide enough wire to make the proper and safe connection to the Field/Power.

### WIRING DIAGRAM



### MIRROR FEATURES

- Copper free silver mirror
- High output LED lighting:  
CRI 90+, 3000-6000K CCT, IP44
- Color Temperature changing
- Light Brightness changing
- Recess mount or wall surface mount
- Defogger

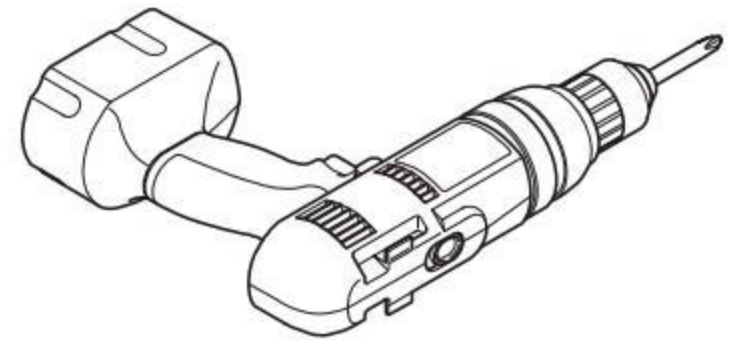


**AYLA-W12MCL6030**

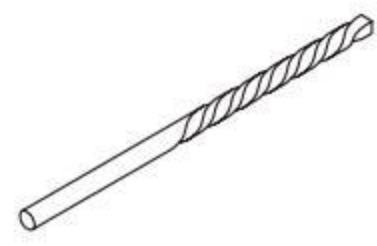
**INSTALLATION**

**LIGHTED MEDICINE CABINET** Lighting and Defogger

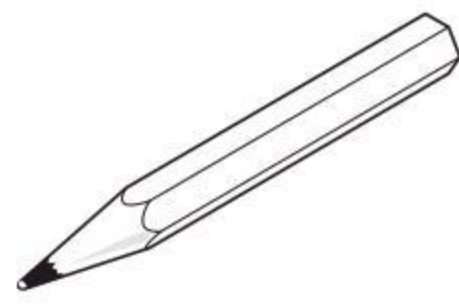
**TOOLS REQUIRED FOR ASSEMBLY**



Electrical Drill



1/8" Drill Bit



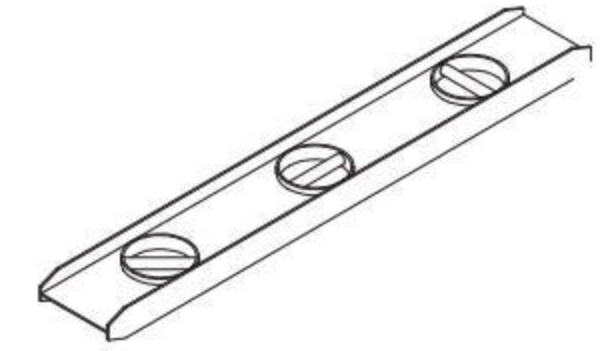
Pencil



Phillips Screwdriver

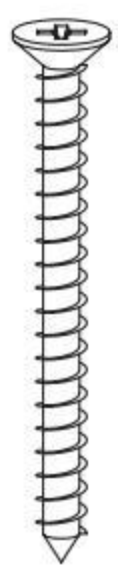


Tape Measure

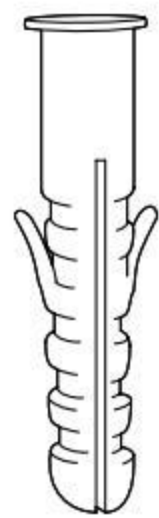


Level

**PARTS INCLUDED**



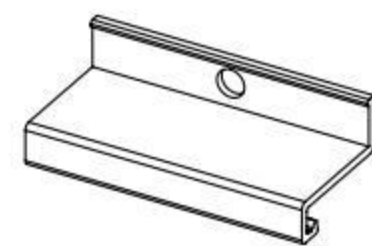
SCREW



WALL PLUG



BOTTOM MOUNTING BRACKET



TOP MOUNTING BRACKET



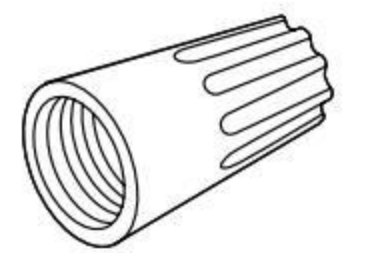
CABINET DOOR BUMPERS



SHELF HOLE PLUG



SIDE PANEL



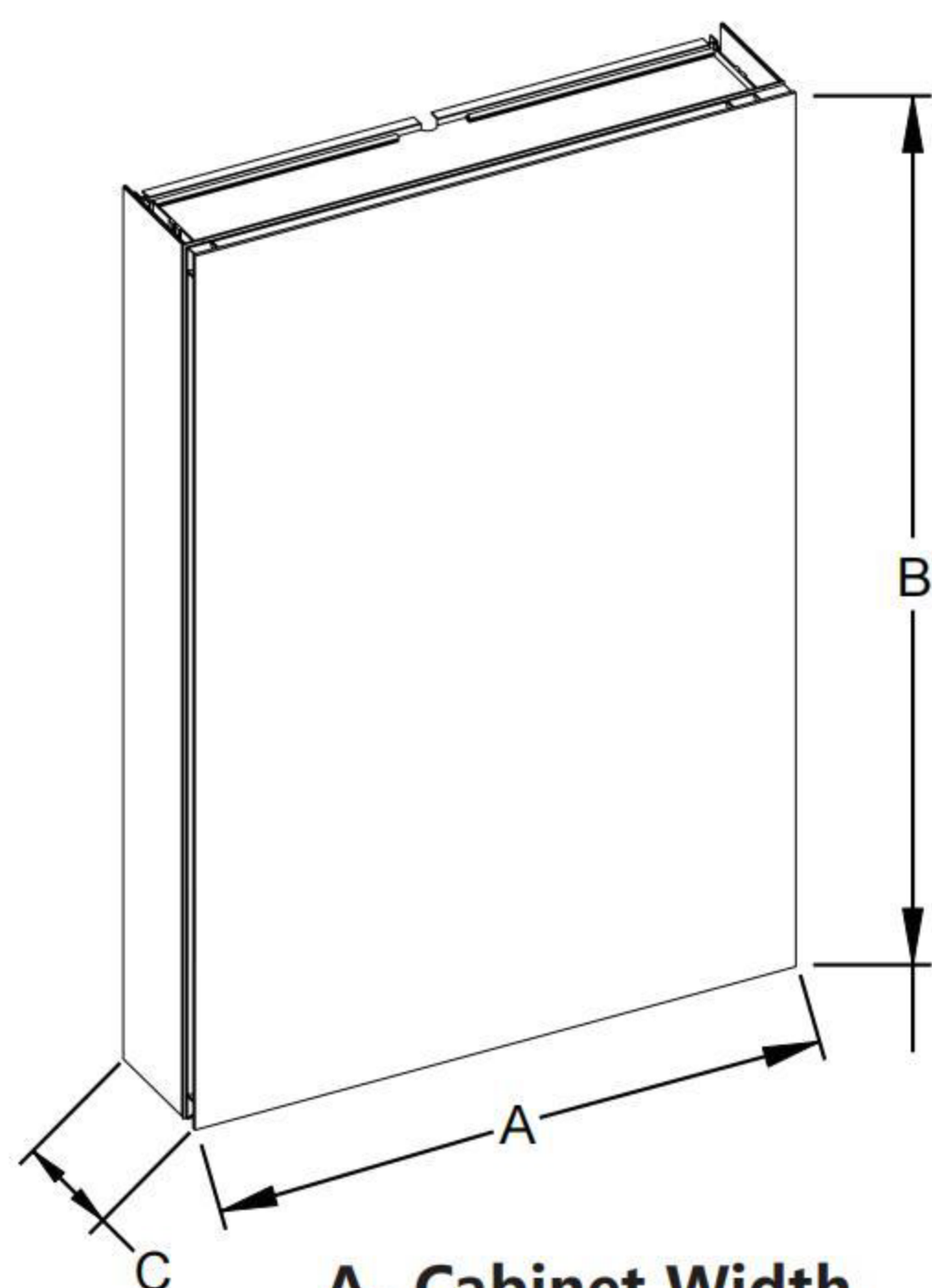
WIRE CONNECTOR



**NOTE:** Determine overall mirror dimensions before installation.  
Requires three(3) person in installation.

\*Accessories and parts may vary from the picture above. Depends on the product model and size.\*

**DIMENSIONS**



**A- Cabinet Width**  
**B- Cabinet Height**  
**C- Cabinet Depth**

Model Number	Item	A	B	C	Rough in size
W12MCL6030		60"	30"	4-5/8"	59-1/16" x28-7/8"x3-13/16"

**NOTE: All rough-in dimensions for reference only!**

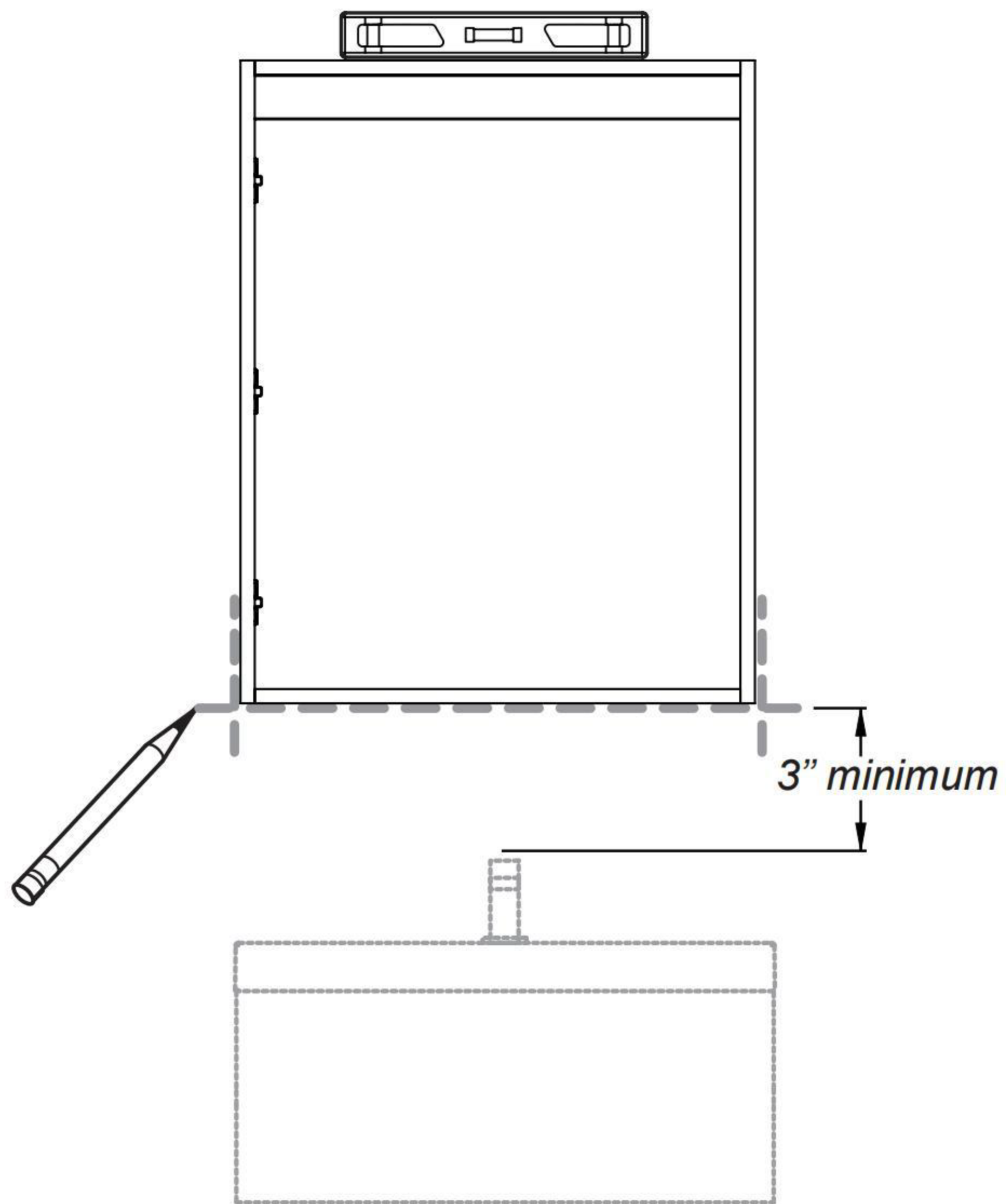
**NOTE:** Please use rough in size for recess mounting installation(wall cut-out).  
All dimensions and specifications are nominal and may vary. Use actual products for accuracy in critical situations.

\*Style and shape may vary from the picture above. Instructional purpose only \*

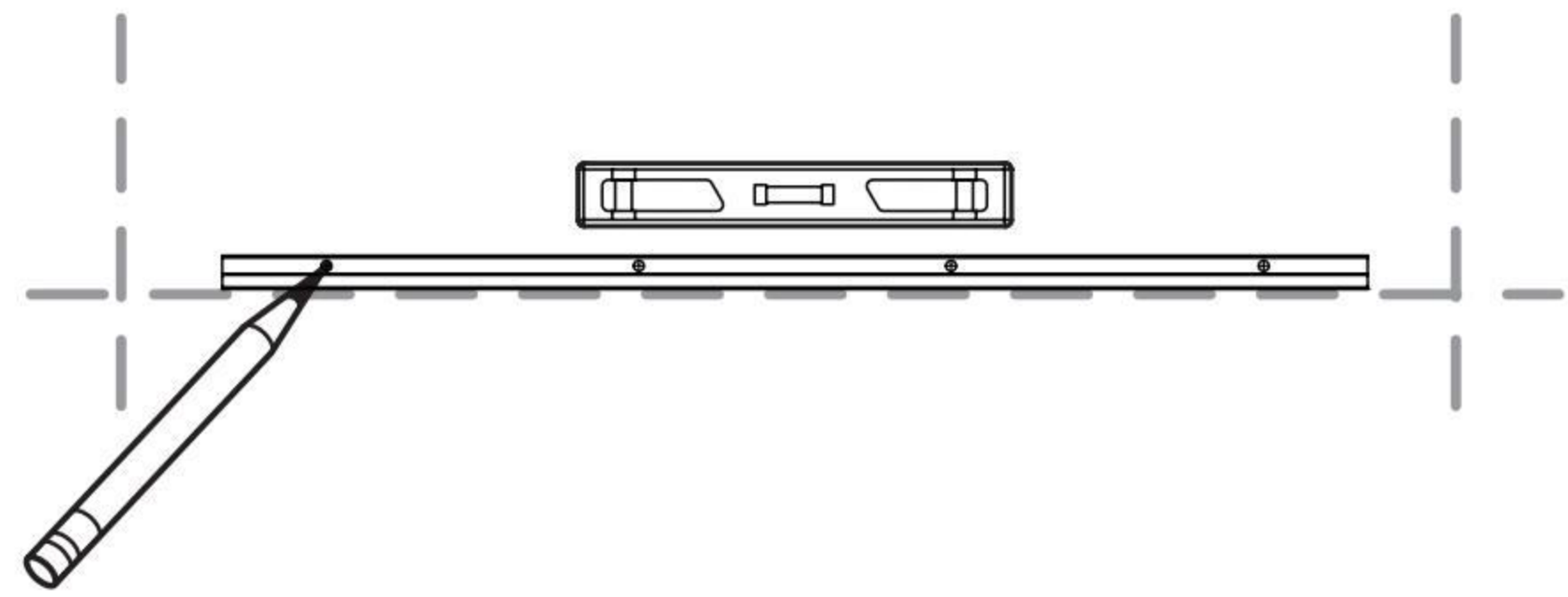
# SURFACE-MOUNTED INSTALLATION

\* No need to take off the door(s) before installing the cabinets.

**1** Level and mark the cabinet's location on the wall.

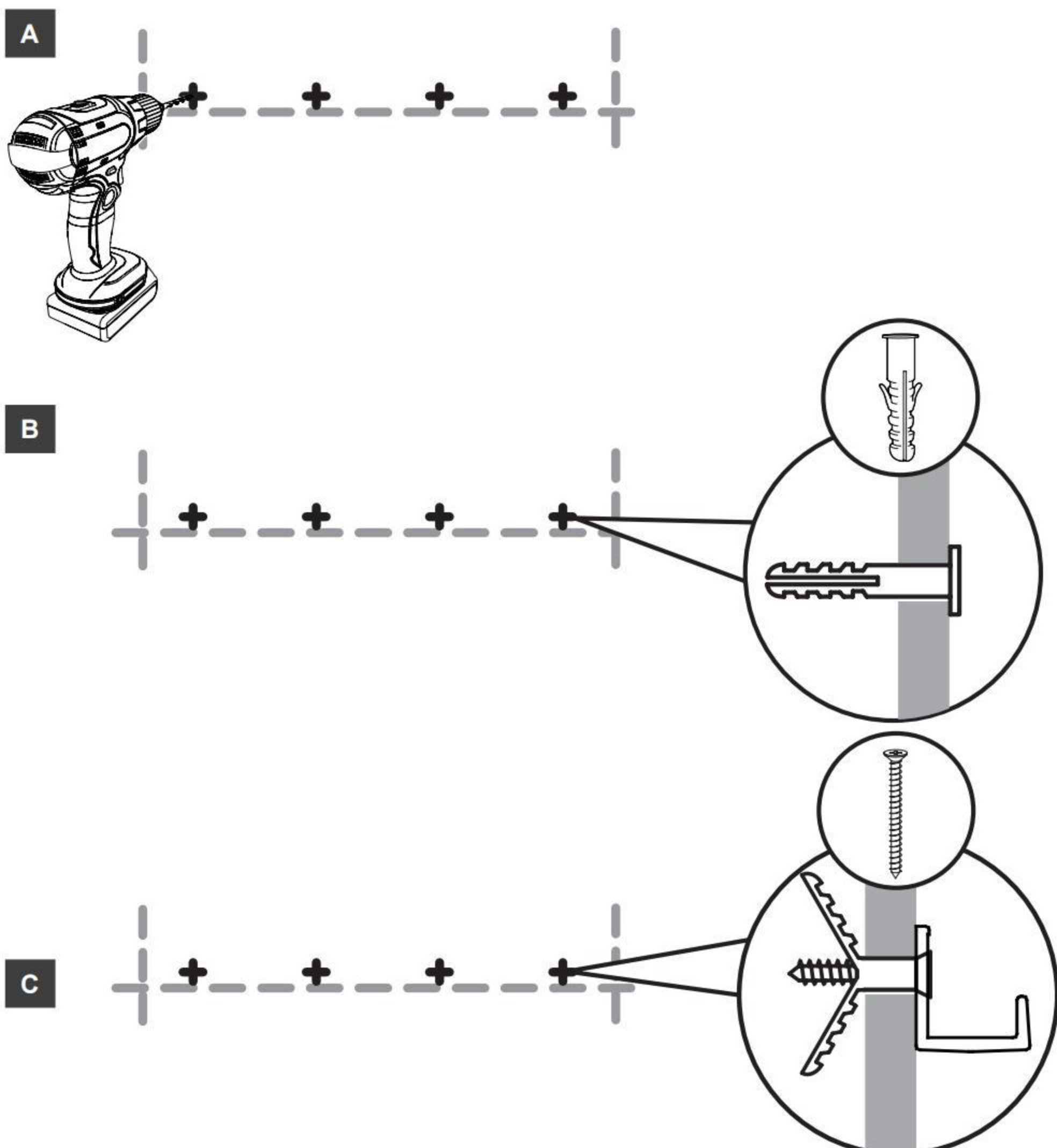


**2** Mark the position of the Bottom Mounting Bracket and Punch.



Bottom mounting brackets must be attached to furring strip/channel or wall studs

**3** Punch holes in the mark, put in Wall Plug, fix Bottom Mounting Bracket to the wall with Screw.

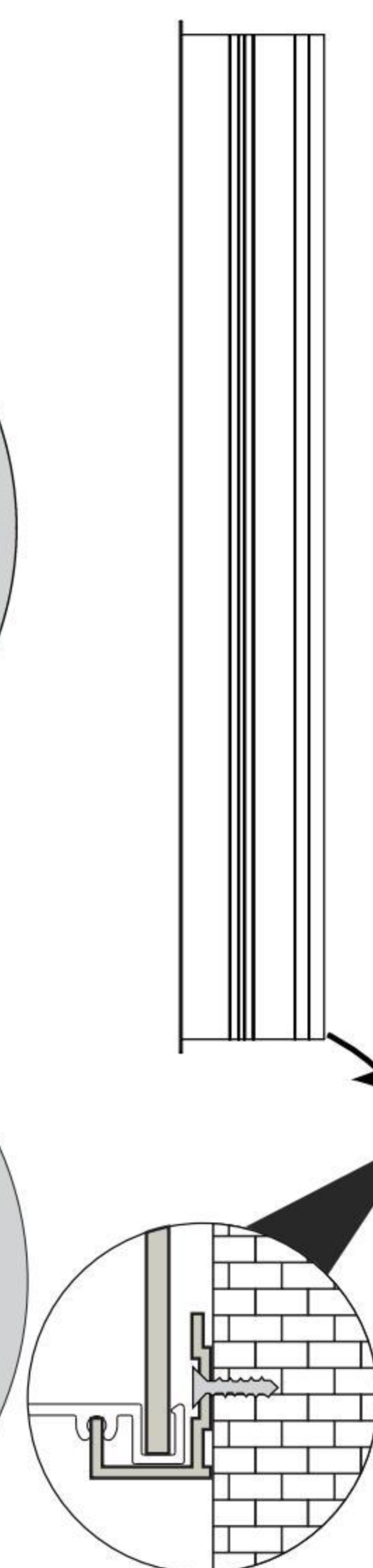
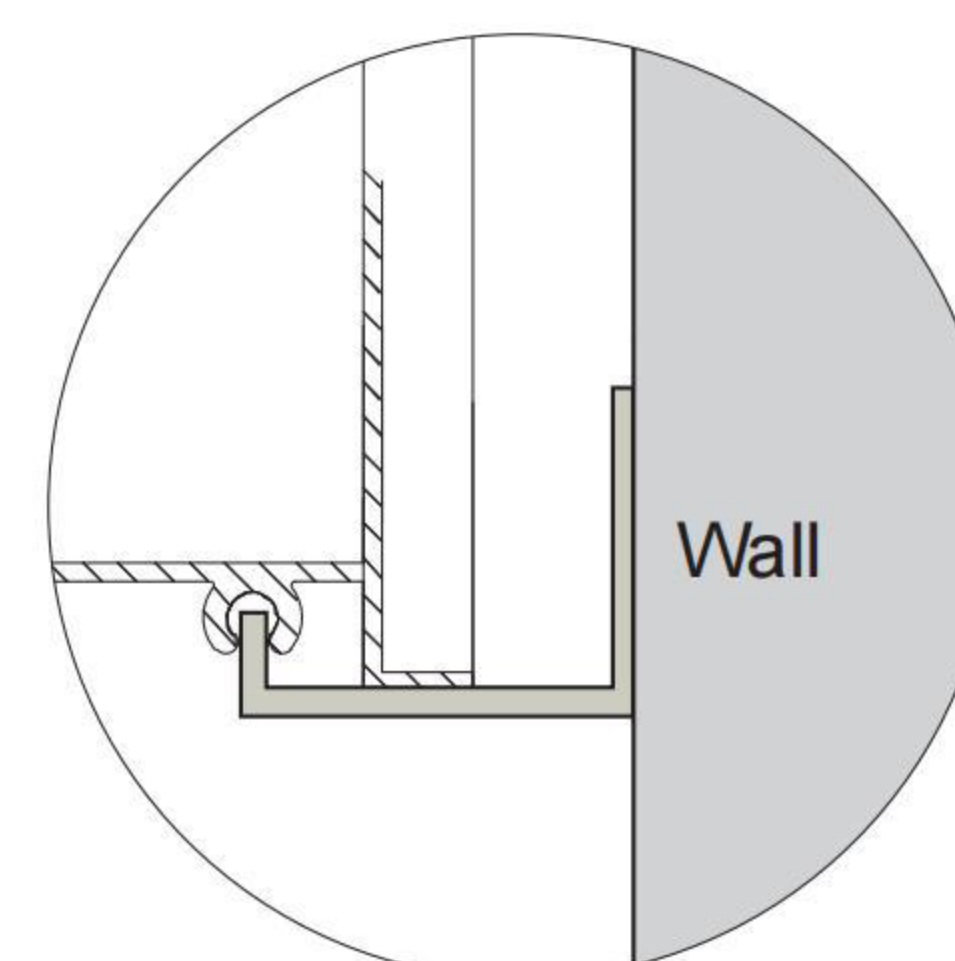
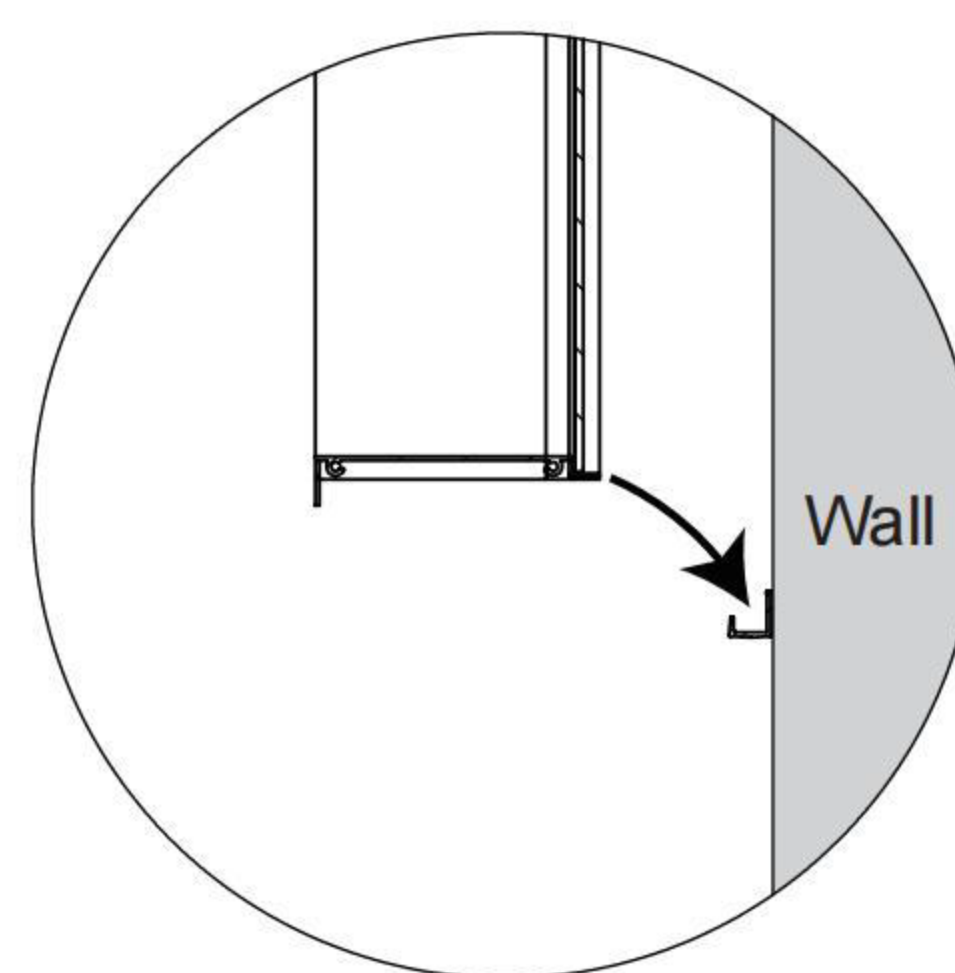


Attach bottom bracket to wall.

**4** With assistance, to rest the cabinet on the mounting bracket and hold in place.



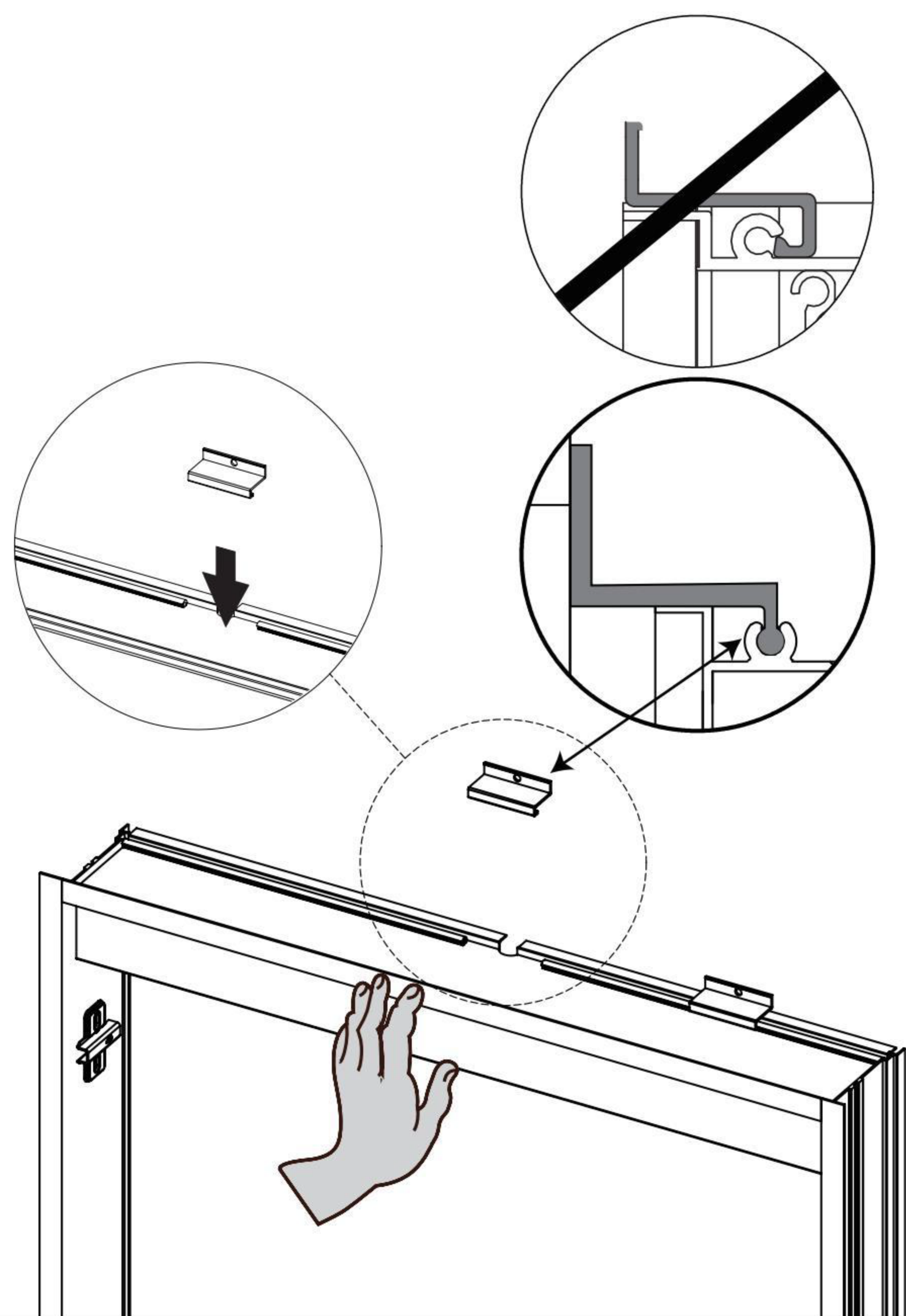
Make sure cabinet is leveled and fully inserted into the groove of the bottom bracket.



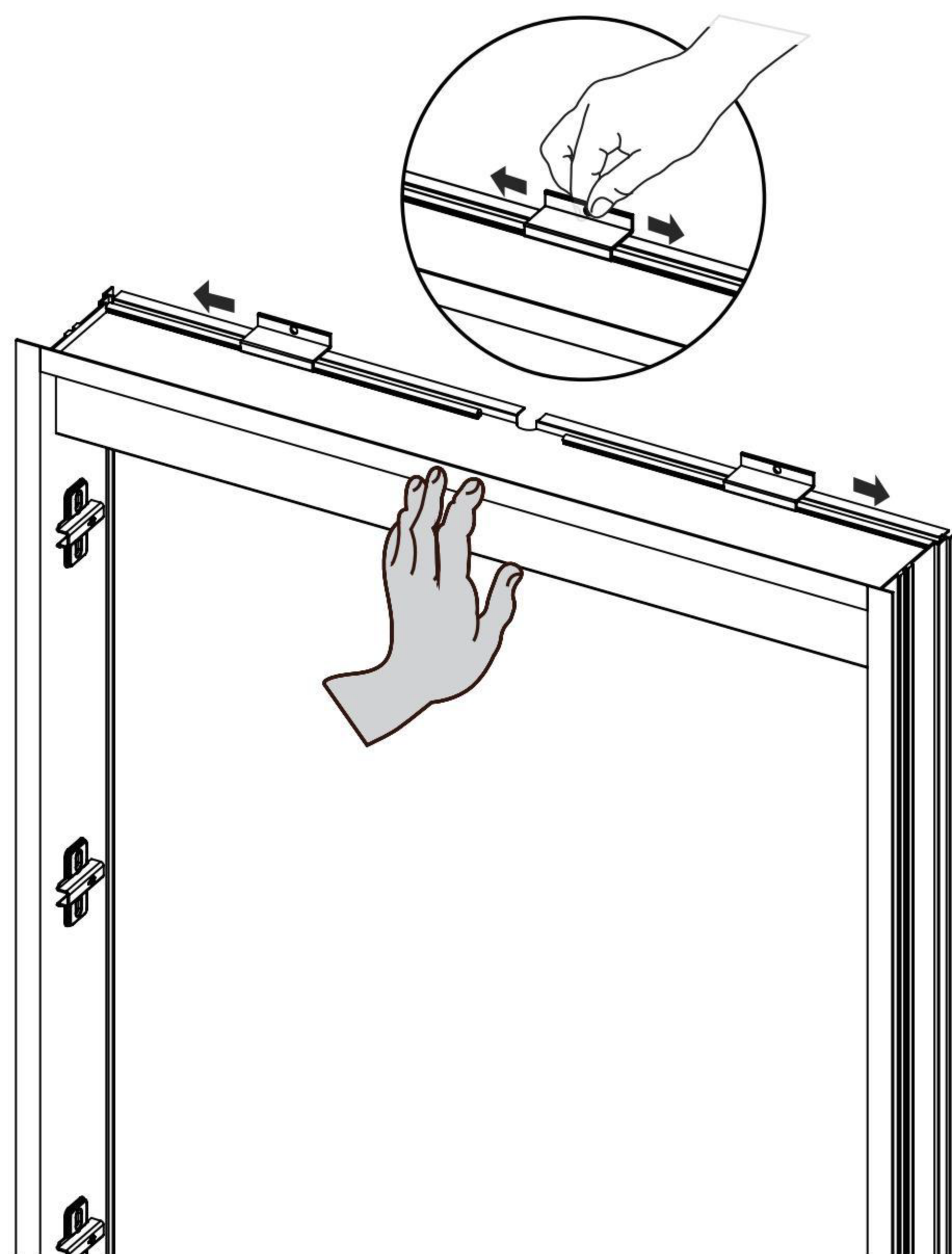
Wall

## SURFACE-MOUNTED INSTALLATION

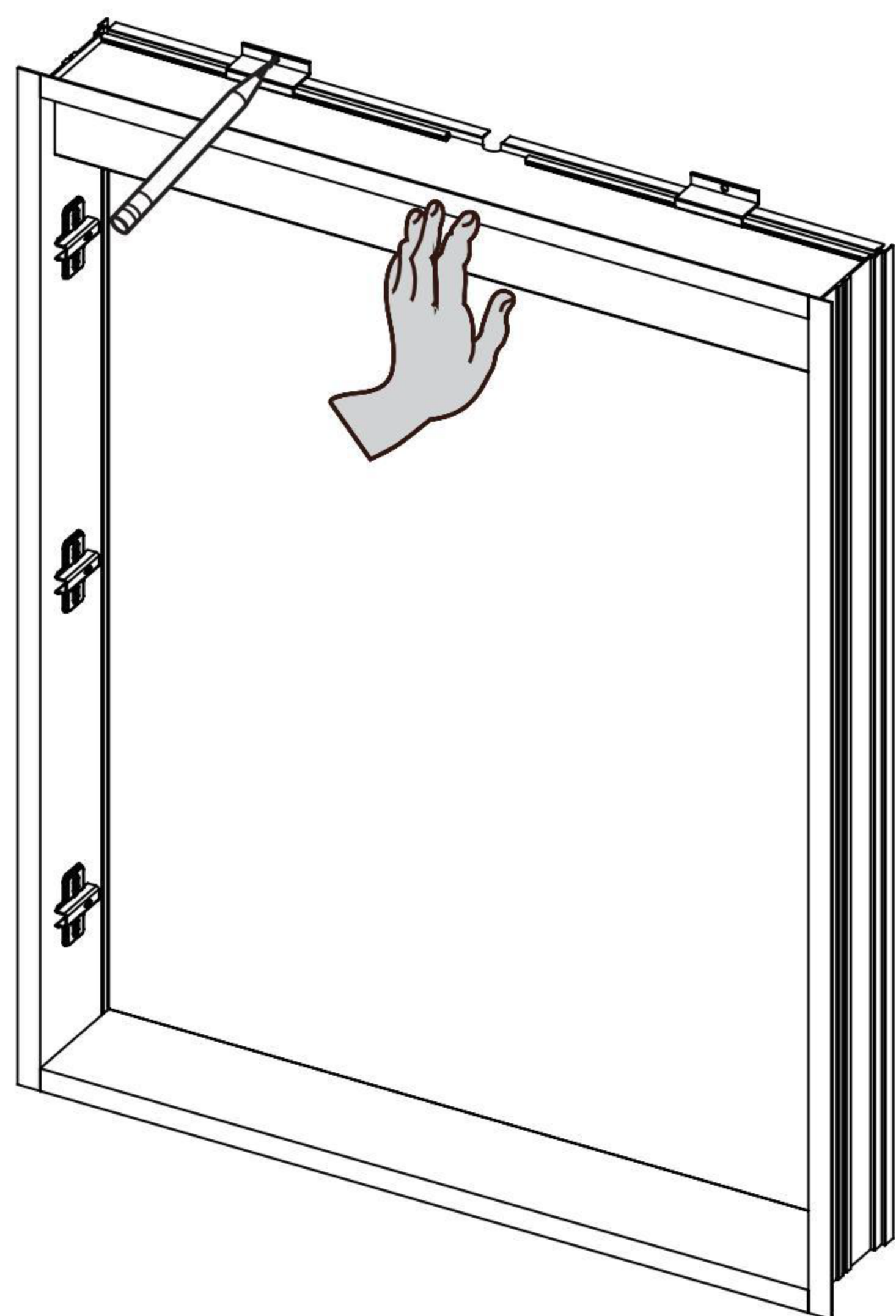
- 5** Insert top mounting bracket into the top of the cabinet.



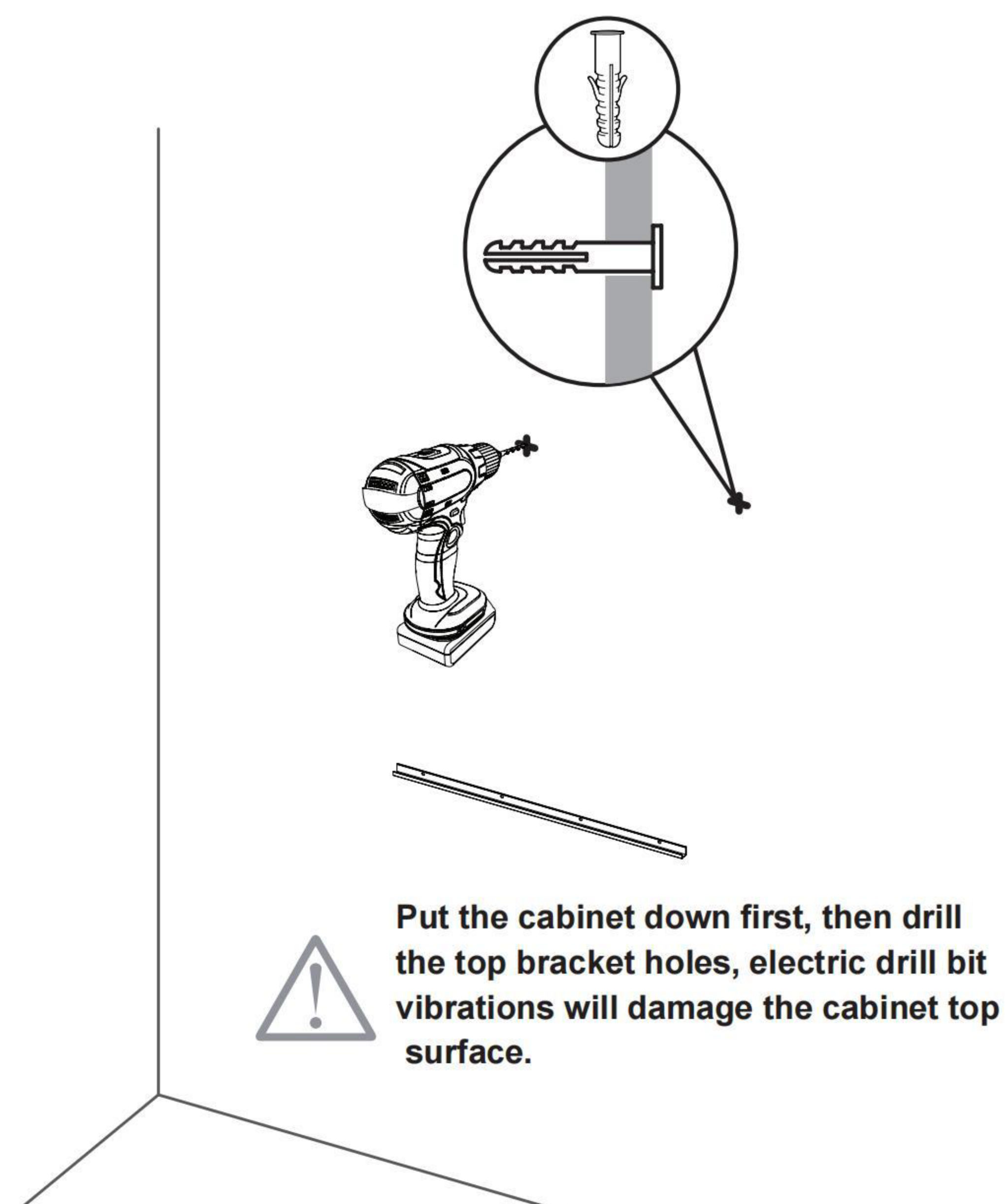
- 6** Make sure top brackets are locked in the grooves.



- 7** Adjust the position of Top Mounting Bracket and mark the holes with a pencil



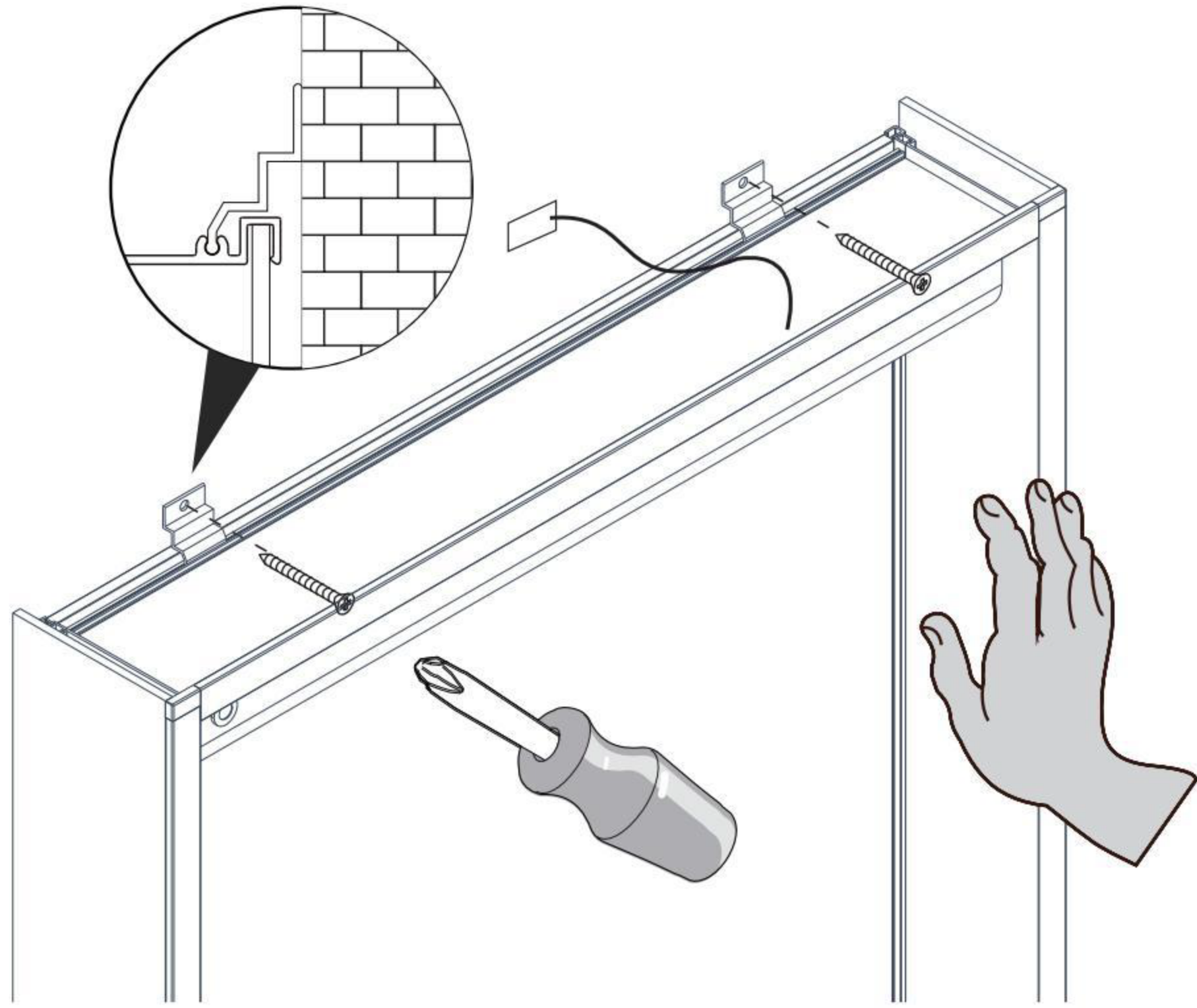
- 8** Remove the cabinet, drill holes according to the marked position, and put in Wall Plugs.



# SURFACE-MOUNTED INSTALLATION

9

Put the cabinet on the bottom mounting bracket and hold the place, then insert the top mounting bracket into the top of cabinet, fix the top mounting brackets to the holes with screw. (repeat step 4-6)



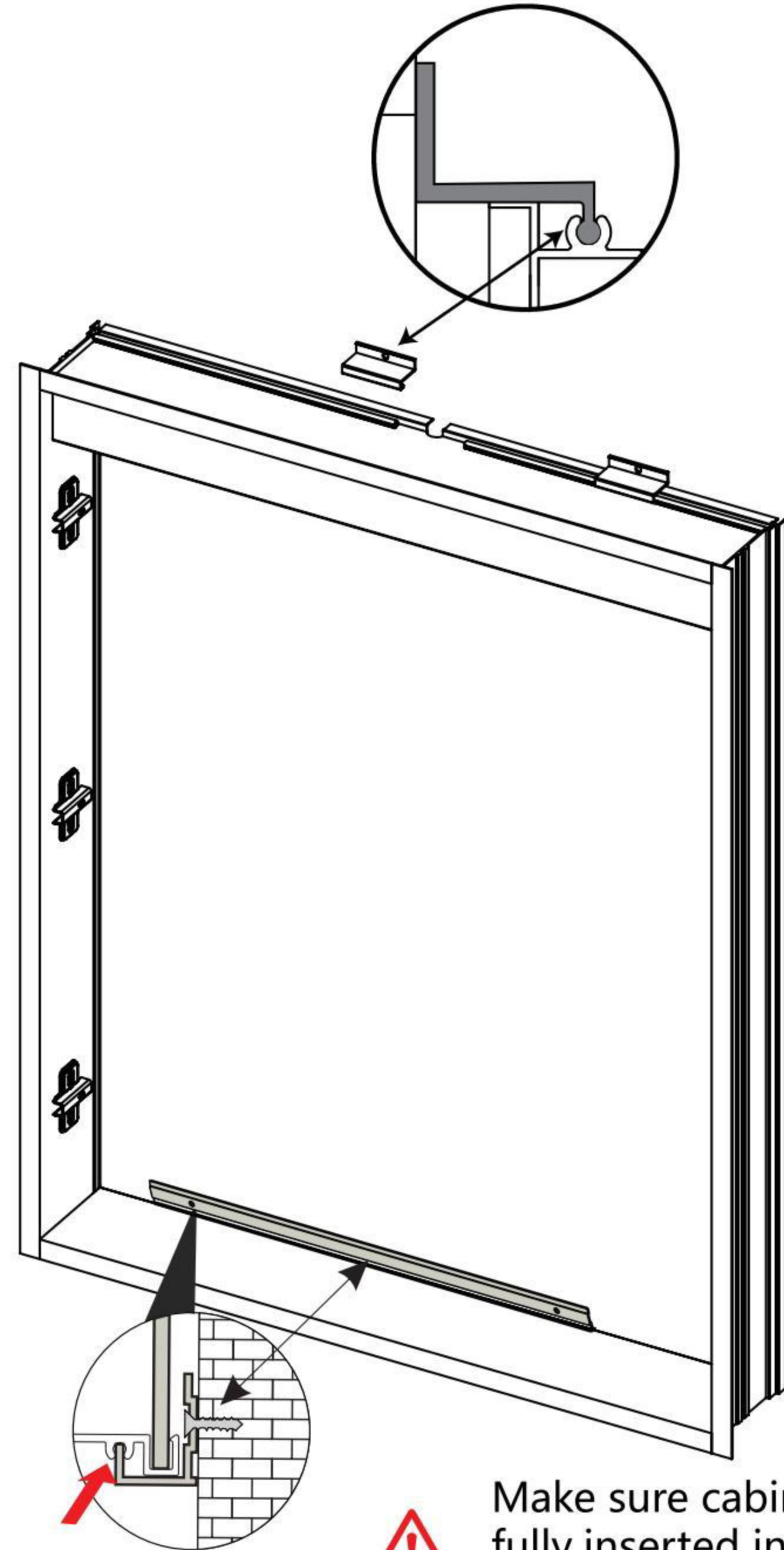
**NOTE:** Vibrations occur in the electric drill, use Philips Screwdriver to protect your cabinet top surface.



Top mounting brackets must be attached to furring strip/channel or wall studs.

10

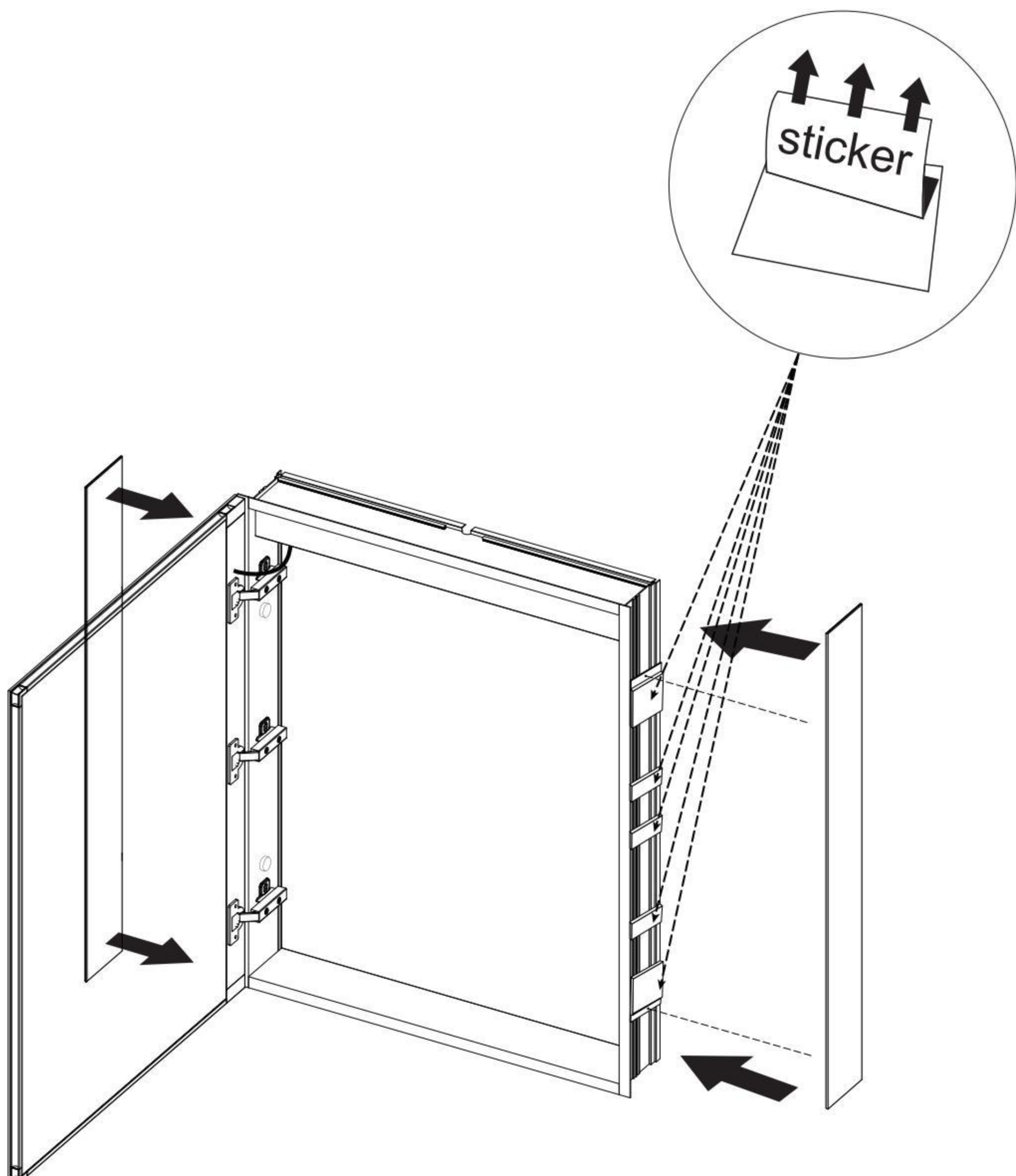
Test the fit of the cabinet before Final assembly.



Make sure cabinet is leveled and fully inserted into the groove of the bracket.

11

Peel off the stickers from the EVA foams and metal blocks, Affix the mirror panel to the side of the cabinet, gently press the mirror panel with your hands until it adheres firmly.

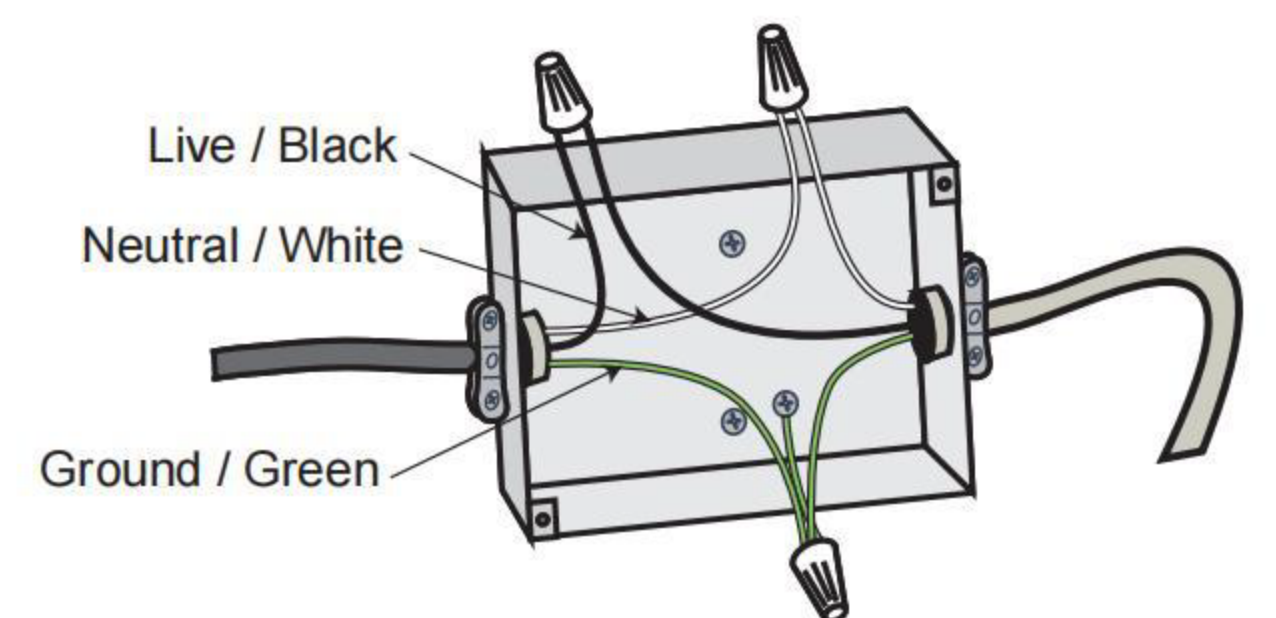


12

Wiring the power line.

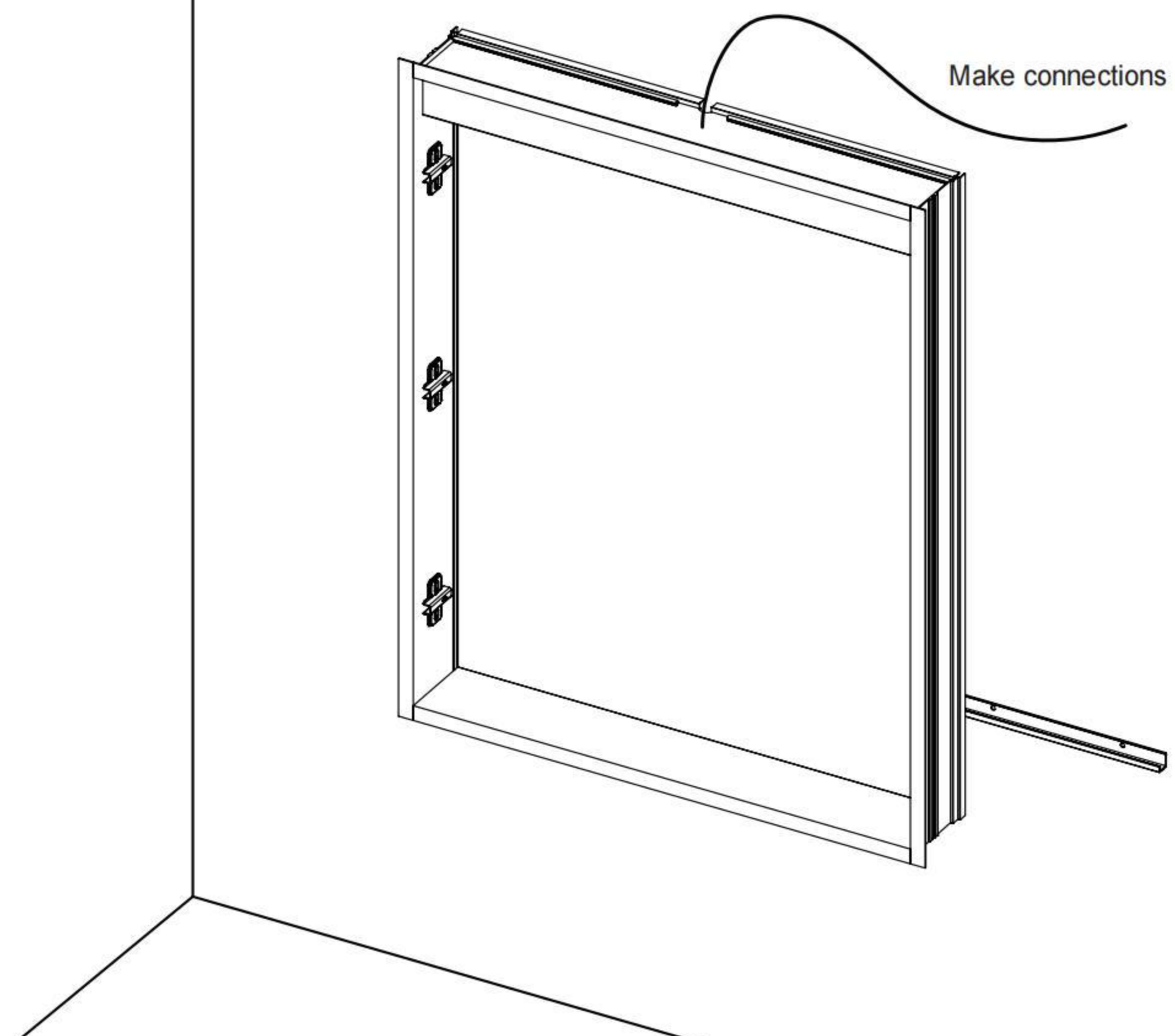


**WARNING:** Turn off the power before wire connection!



\*Junction box is not included\*

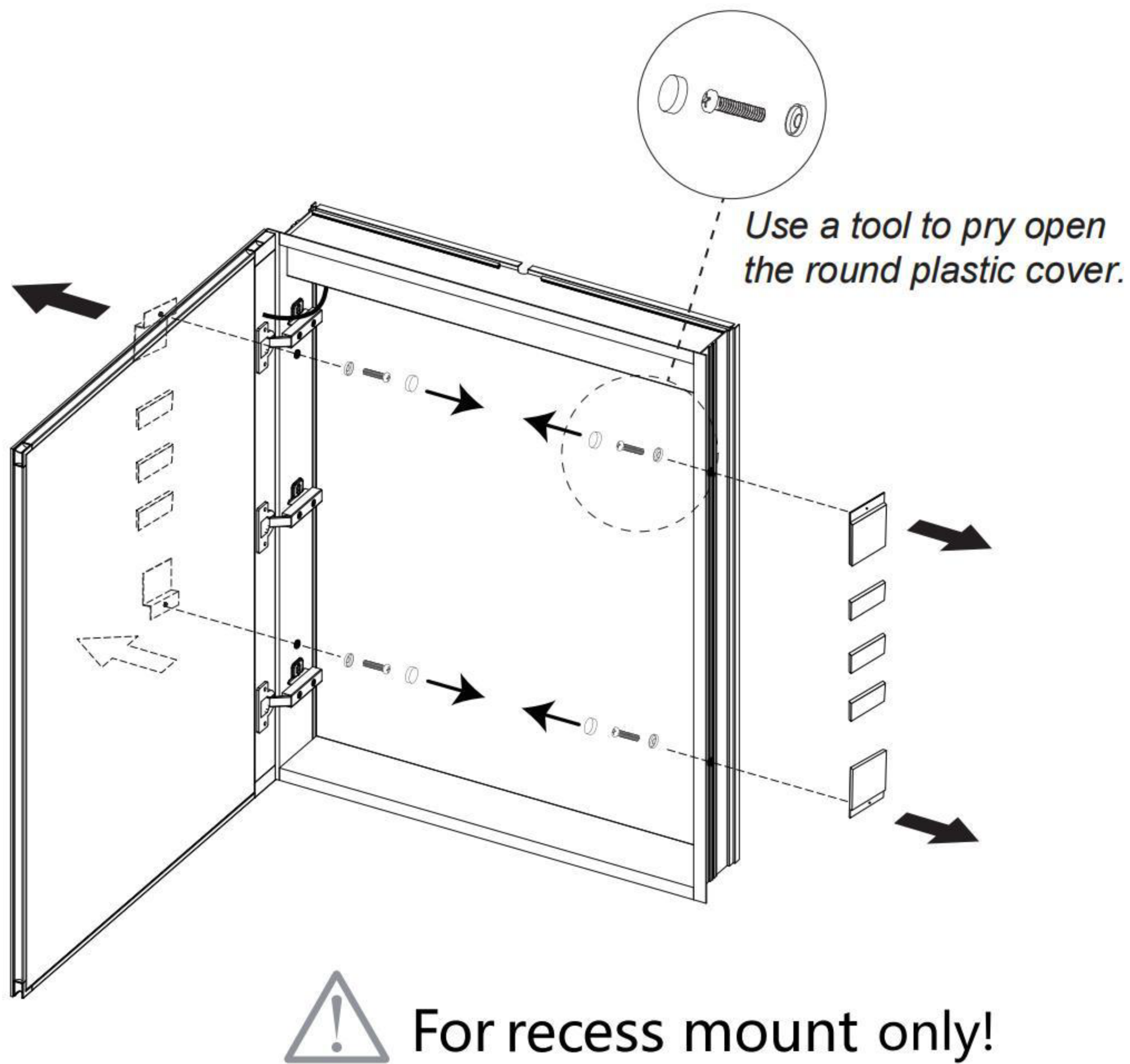
Make connections  
Neutral to white  
Live to black  
Ground to green.



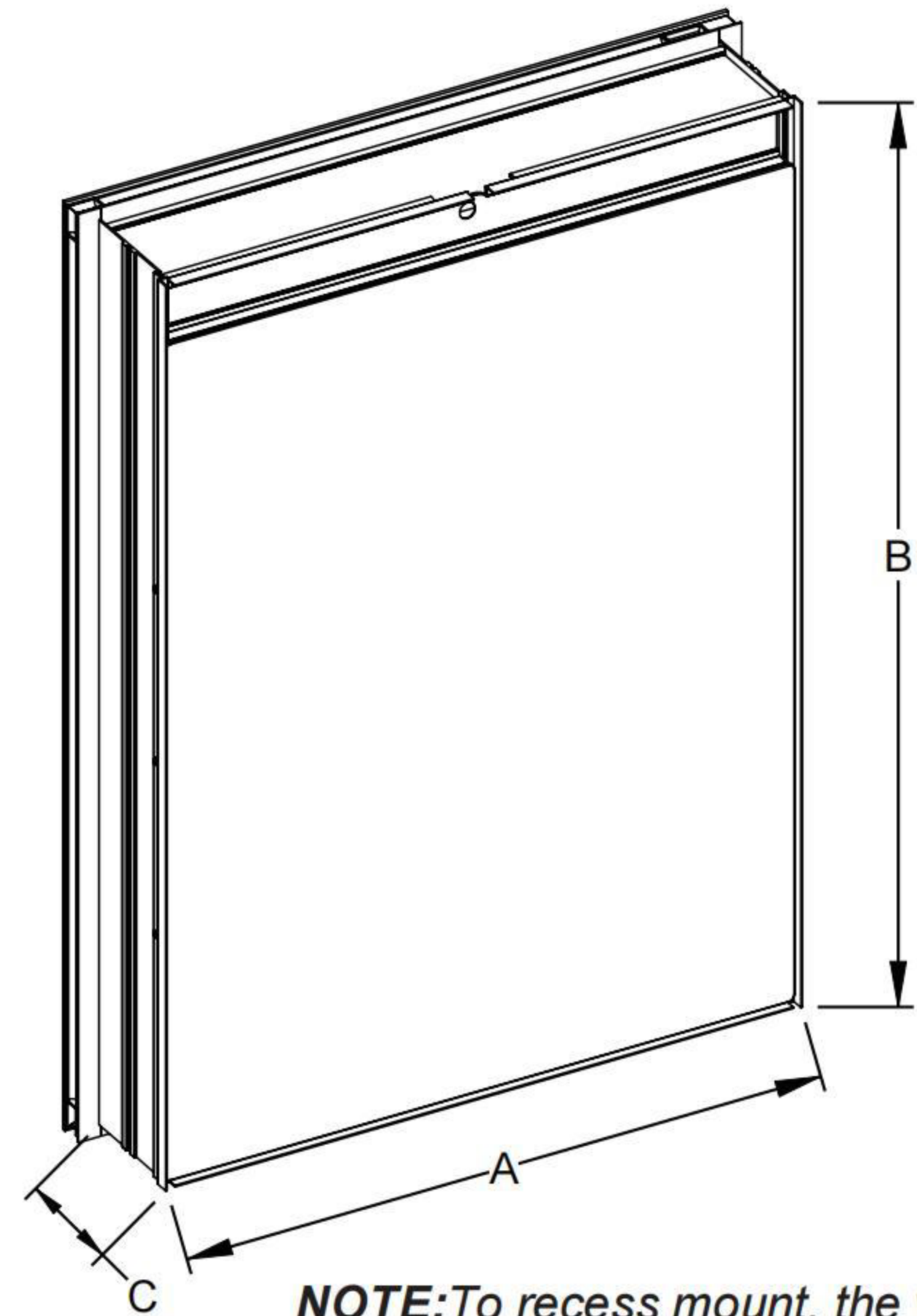
# RECESS INSTALLATION

\* No need to take off the door(s) before installing the cabinets.

**1** Detach side mirror connectors and EVA foam pads from the cabinet for recessed installation. These items are located on both sides of the mirror cabinet body.

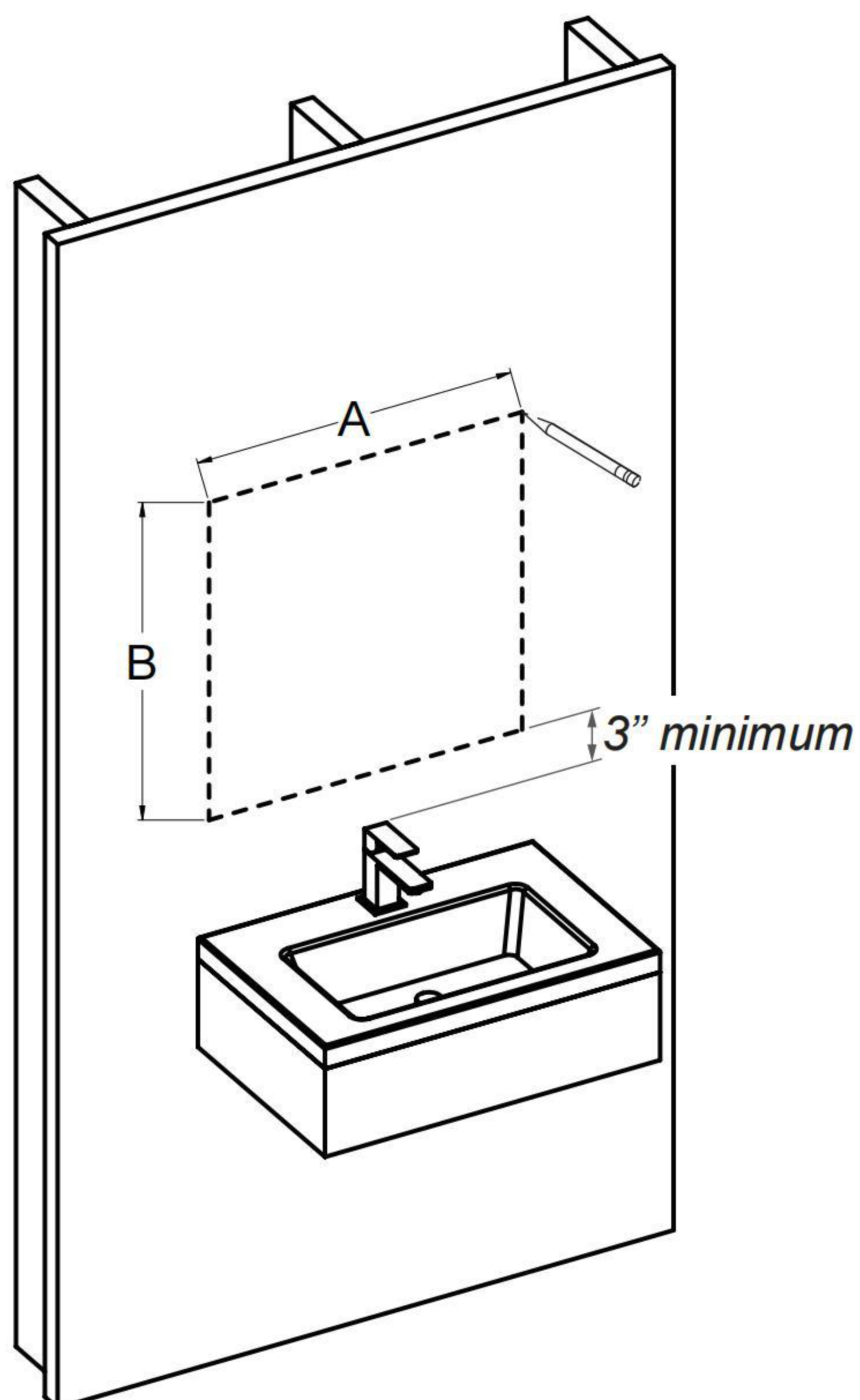


**2** Refer to "dimensions" on page 4 to measure Rough in size.

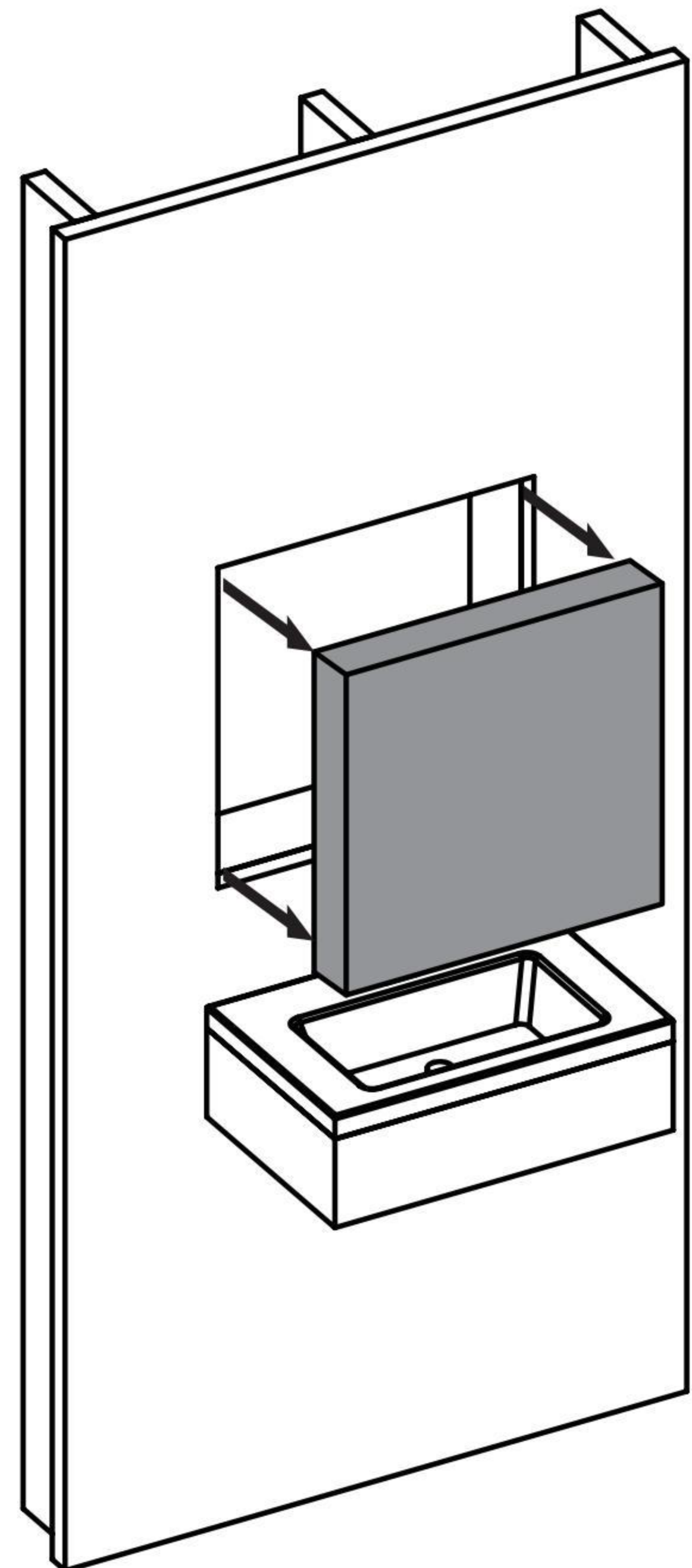


**NOTE:** To recess mount, the wall cavity must be framed and the cabinet secured to framing studs. Reroute electrical or water supply lines from the cavity. Consult a professional if drain or vent piping is encountered, or if the wall is load-bearing.

**3** Draw the perimeter of the cabinet on the wall.

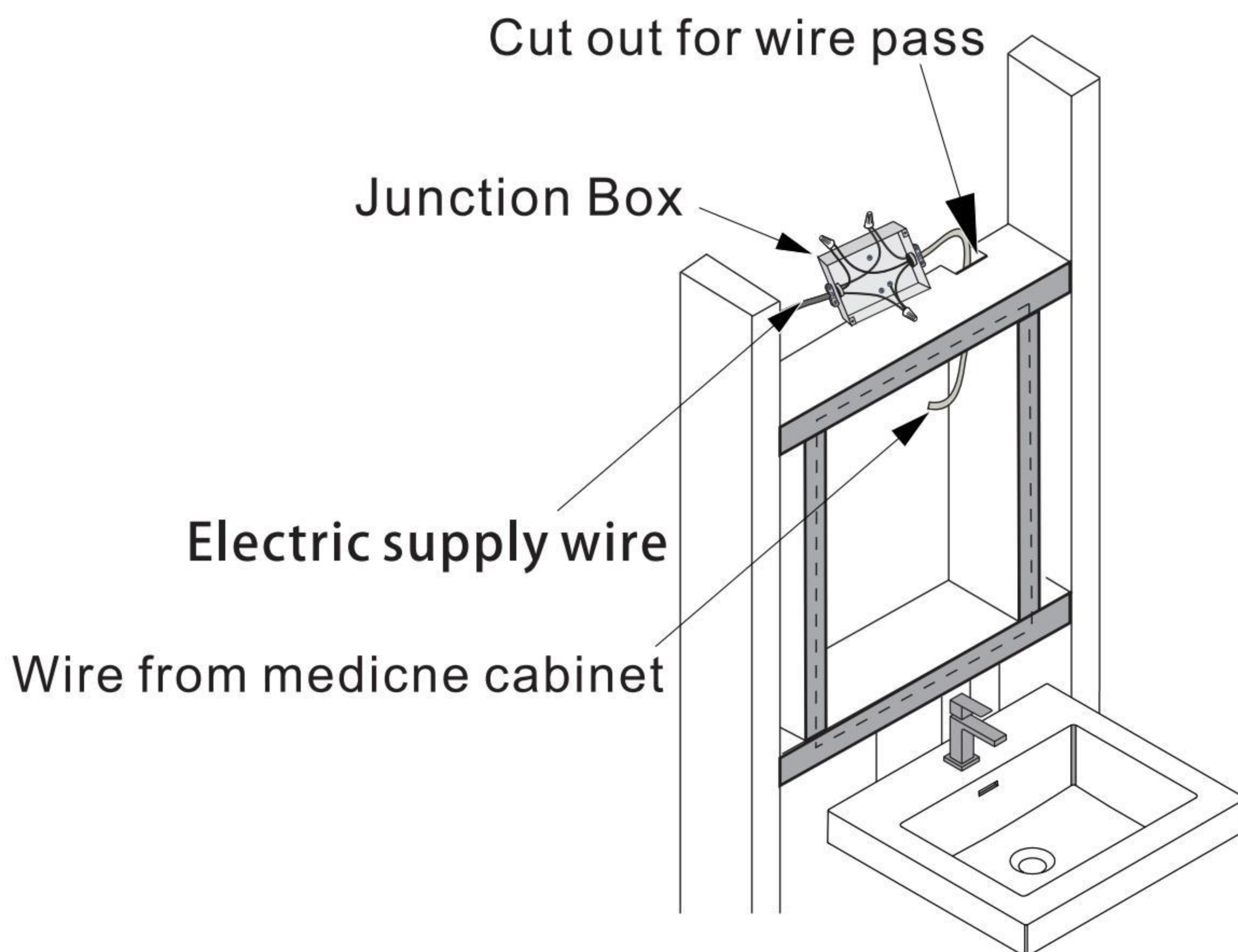


**4** Cut the hole as marked dimension with suitable tool.



# RECESS INSTALLATION

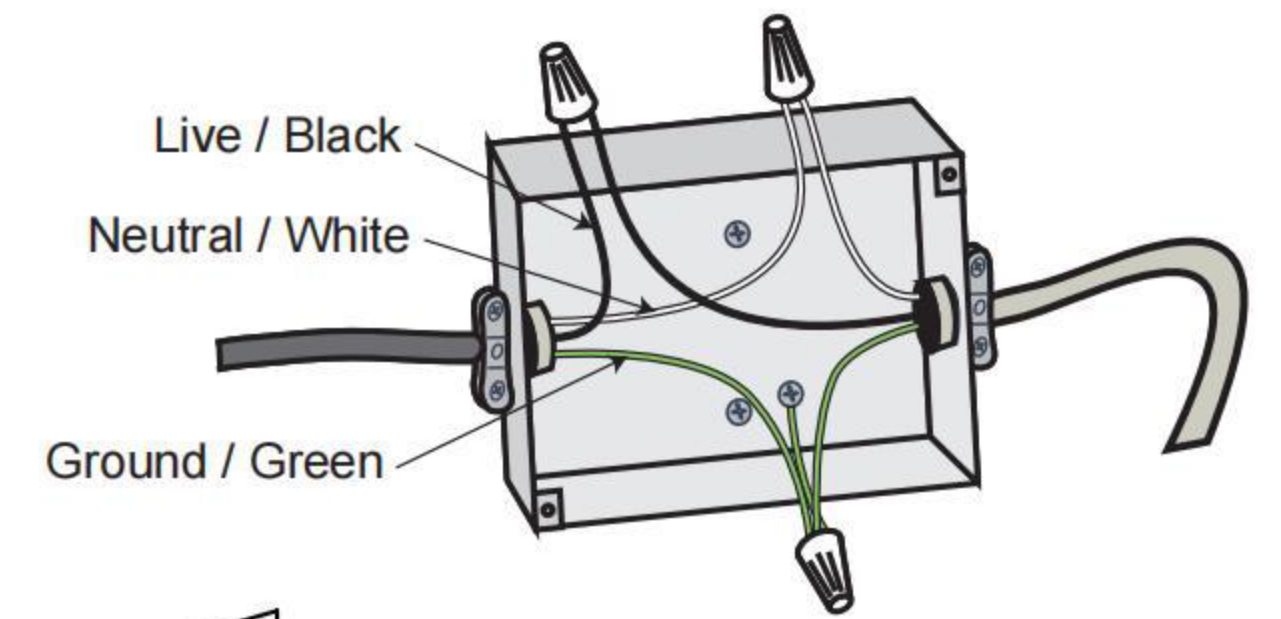
**5** Frame the opening for the cabinet based on the measurements.



**6** First cut off the power, then use the WIRE CONNECTOR connect to external power supply.

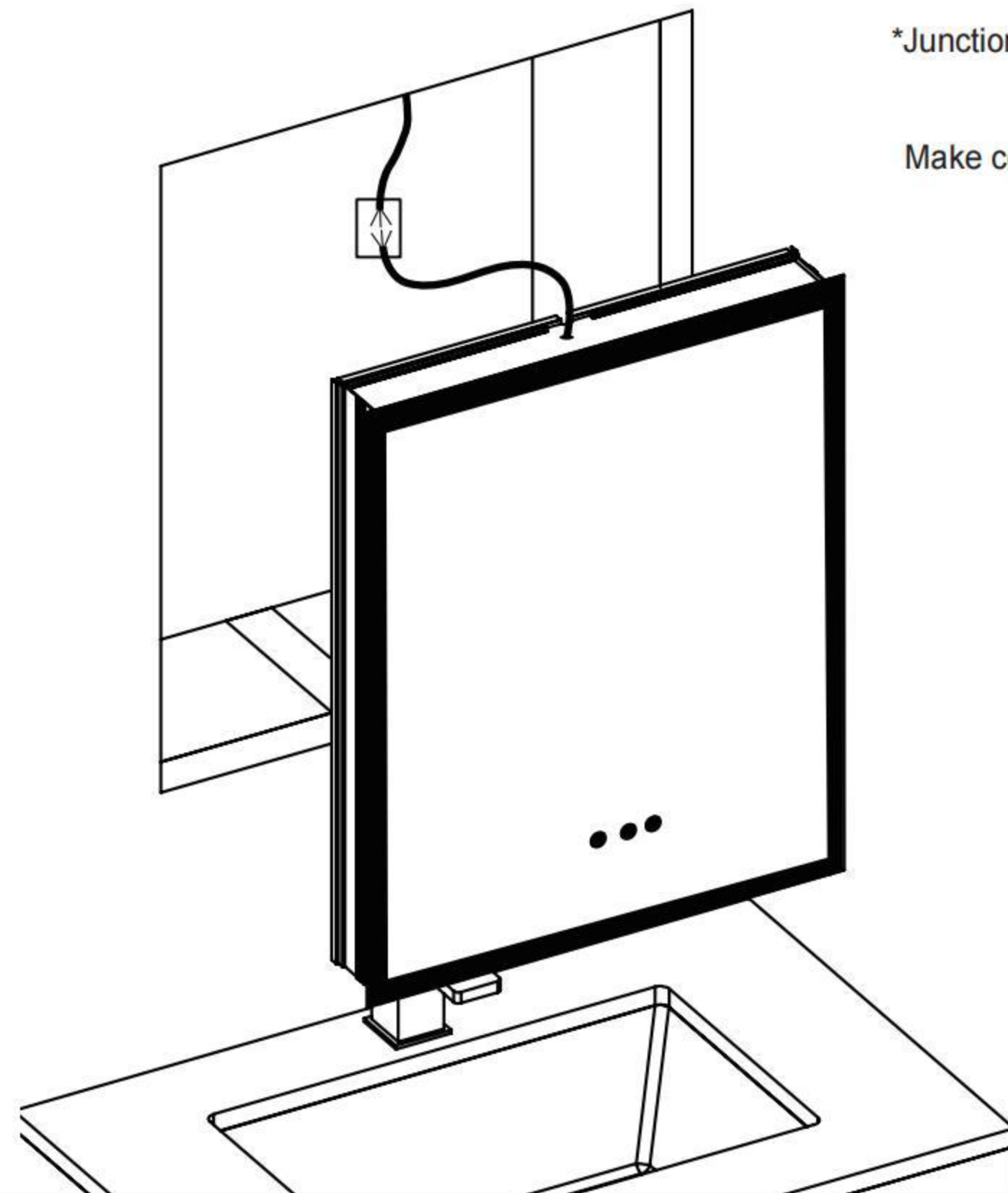


**WARNING:** Turn off the power before wire connection!

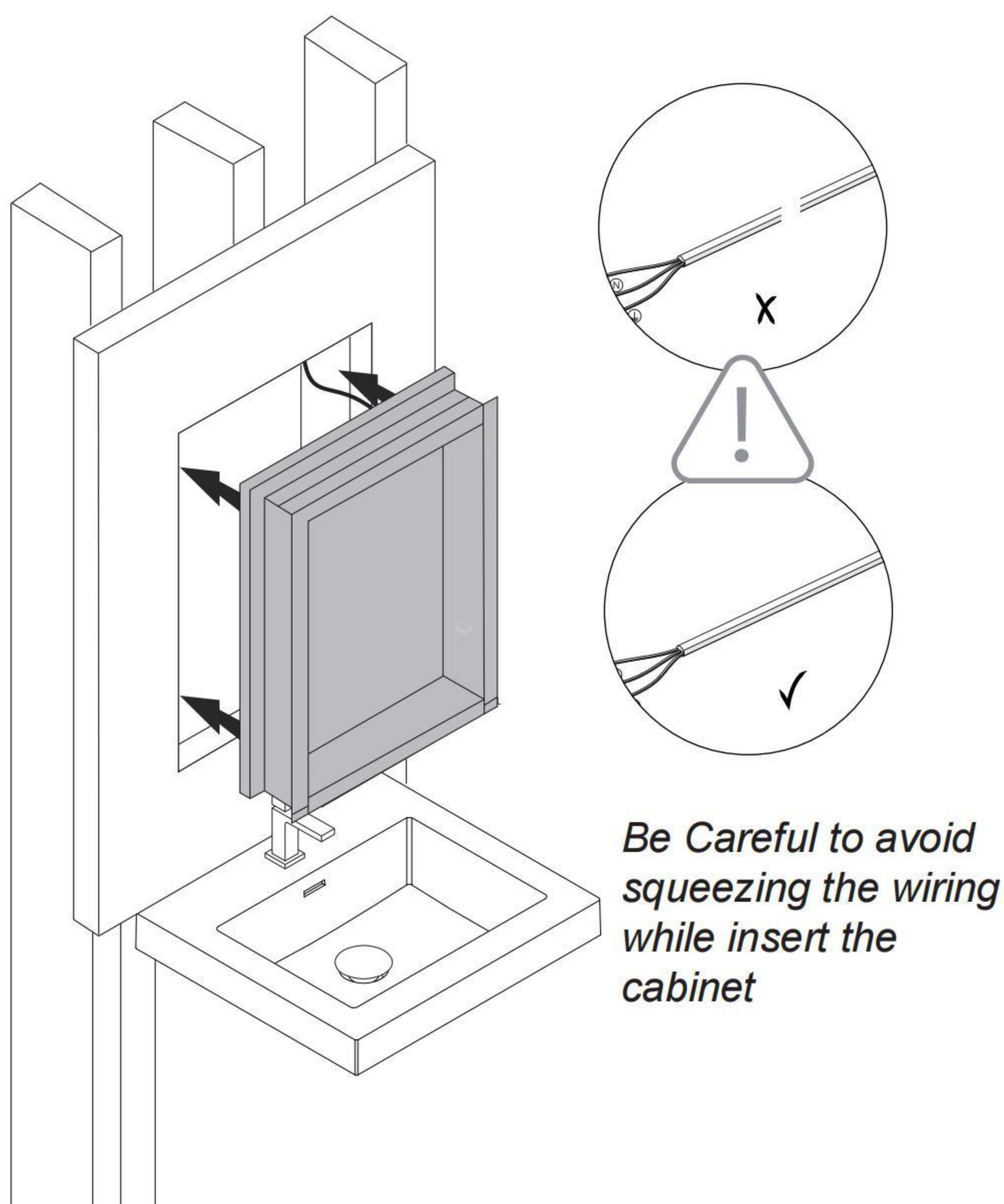


\*Junction box is not included\*

Make connections  
Neutral to white  
Live to black  
Ground to green.

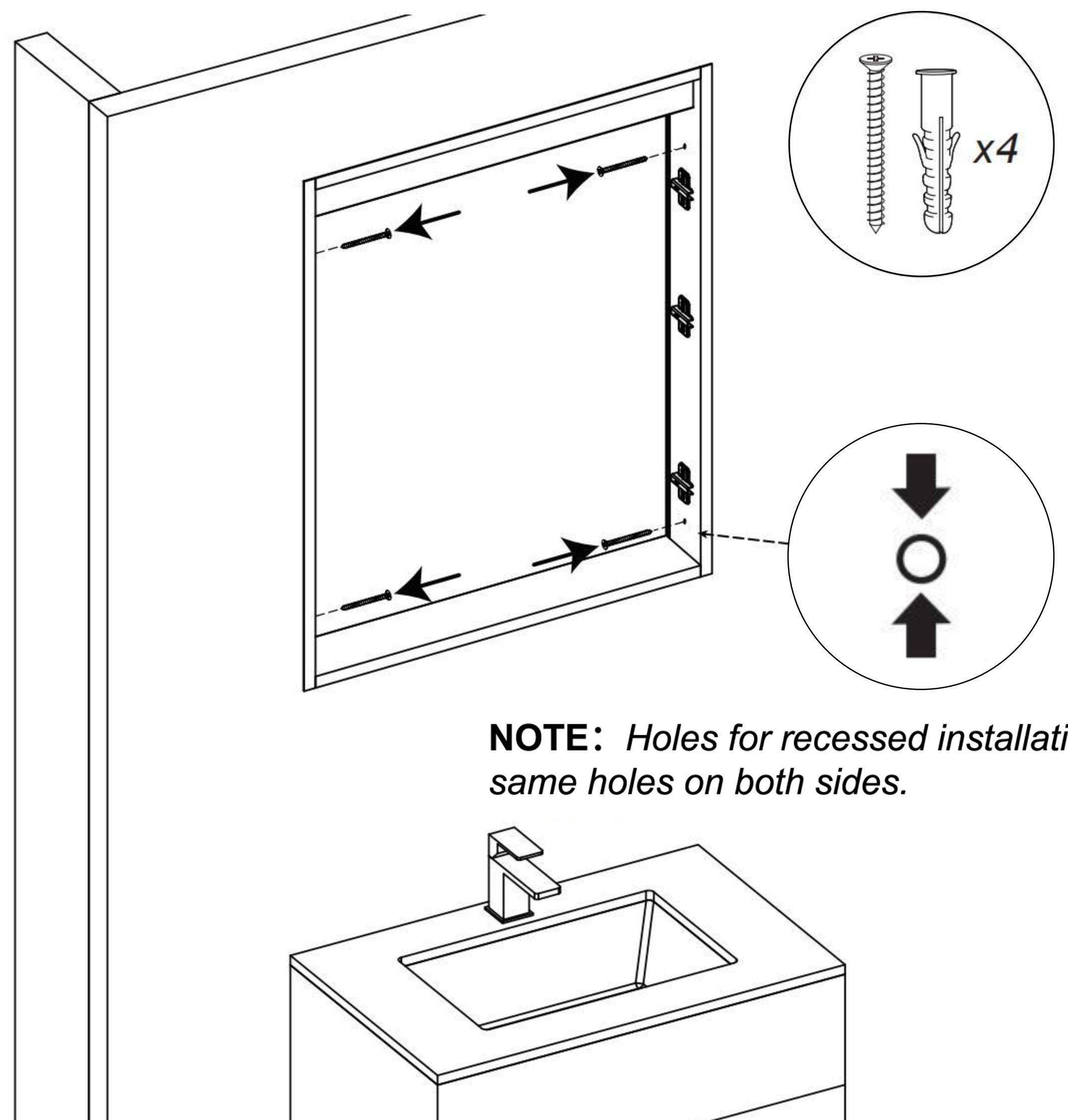


**7** Connect electrical wires and then place the cabinet between the wall studs.



**8** Affix using hardware screws into the studs.

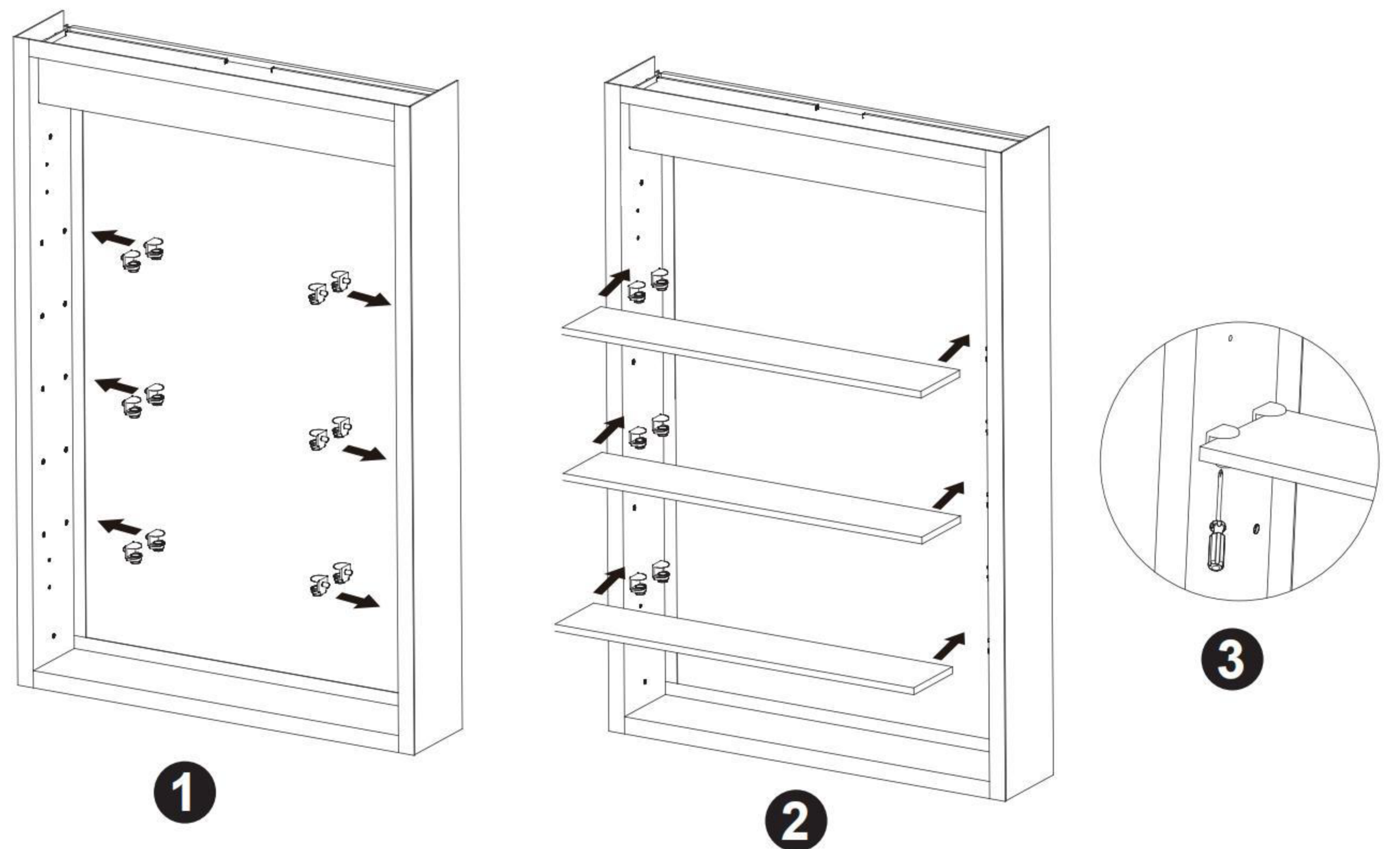
**NOTE:** For wood stud wall, you need to use screw to fix the cabinet. For brick/concrete/stone/tile wall, you need to use wall plug and screw together to fix the cabinet.



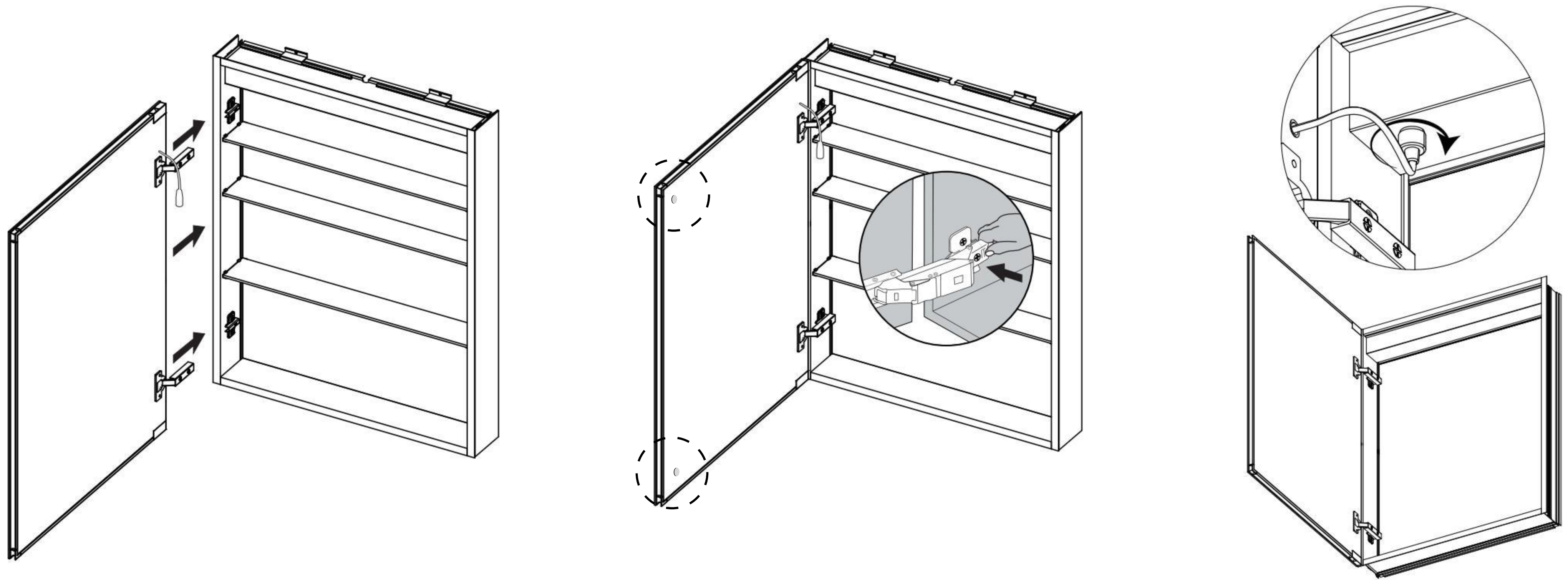
## GLASS SHELF ADJUSTMENT

**\* No need to take off the door(s) before adjusting cabinet shelves.**

1. Insert the metal glass shelf clips into the shelf holes on both sides of the mirror cabinet.
2. Insert the Glass Shelf along the board clip slot.
3. Use a Phillips screwdriver to tighten the screw at the bottom of the metal shelf clip, securing and clamping the glass shelf in place.



## MIRROR DOOR INSTALLATION



1. Slide the doors into place by pinching the end of the hinges.
2. Plug the door into the cabinet.

1. Press the end of the hinge to match the hinge seat
2. Installing cabinet door bumpers

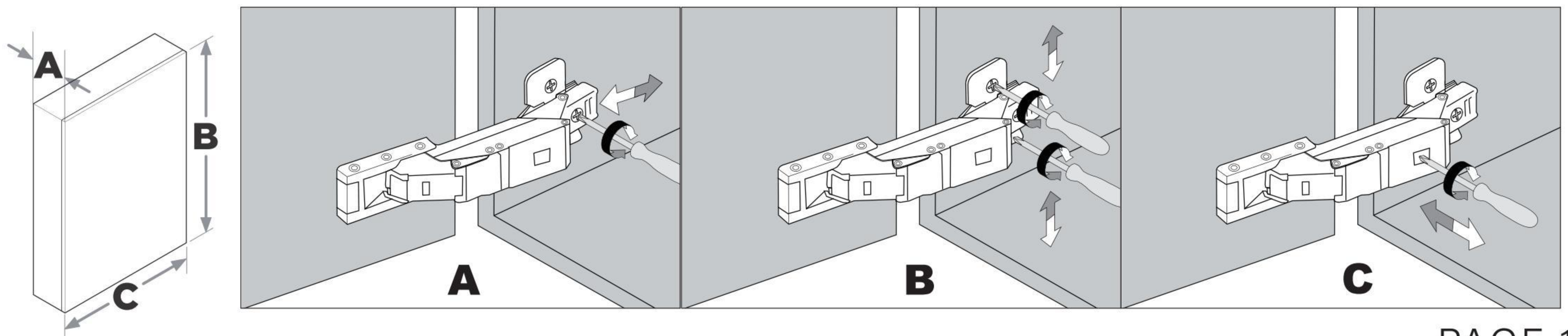
Installing wiring terminals

## Door Adjustment / Door Removal

### OPTIONAL DOOR ADJUSTMENT

Doors may need to be adjusted after the initial shipping of the cabinet. The cabinet doors have a three-way adjustment feature. Height, side-to-side, level and depth can be adjusted. With the hinge slightly closed you can access the middle screw for up/down adjustment.

With the hinge fully extended you can access the front and back screws. These screws will move the door side to side and in and out.



## TOUCH BUTTON AND OUTLET CHARGER

### How to use Defogger Switch and Dimmer Switch :

#### Left Touch Sensor



Short touch to turn ON/OFF the defogger.

#### Middle Touch Sensor



“Switch” sign



Short touch to ON/OFF lighting.

#### Right Touch Sensor



Short touch to get the light temperature 6000K, 4000K and 3000K.

Long touch to adjust the light brightness from 10%-100%.

Release the button when the light reaches the desired setting.

**\*Suggestion:** The mirror is equipped with memory function to preserve the previous brightness/color settings.

### How to use Outlet and USB Charger :

This lighted medicine cabinet contains outlet and USB chargers.

1. Outlet Charger is 15Amp 110V AC to power shavers, or toothbrushes, but do not use it for Hair dryer, it may blow a circuit.
2. USB ports provide 4.2Amp 5V DC for charging purpose only, not for data transfer.

**\*Suggestion:** Turn off the mirror power supply if you don't use it for a long time.

\*The design of touch switch may vary, and subject to change without prior notice.

## USE AND MAINTENANCE

### WARNINGS:

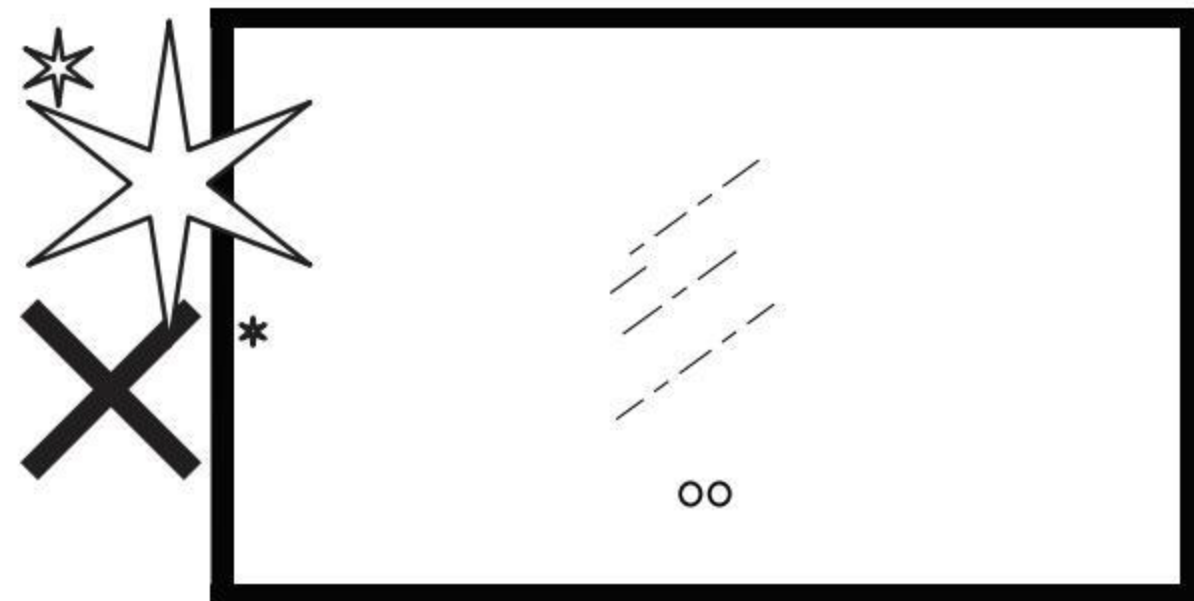
1. Please do not use if you found the mirror cabinet has been broken.
2. Never put any sharp or heavy material on the mirror surface, other wise the glass mirror will be broken and body injury accidents may occur .
3. Turn off the power switch in storm lightning weather to avoid electric parts damage.

### Use and Maintenance:

#### CAUTION:

##### ● USE

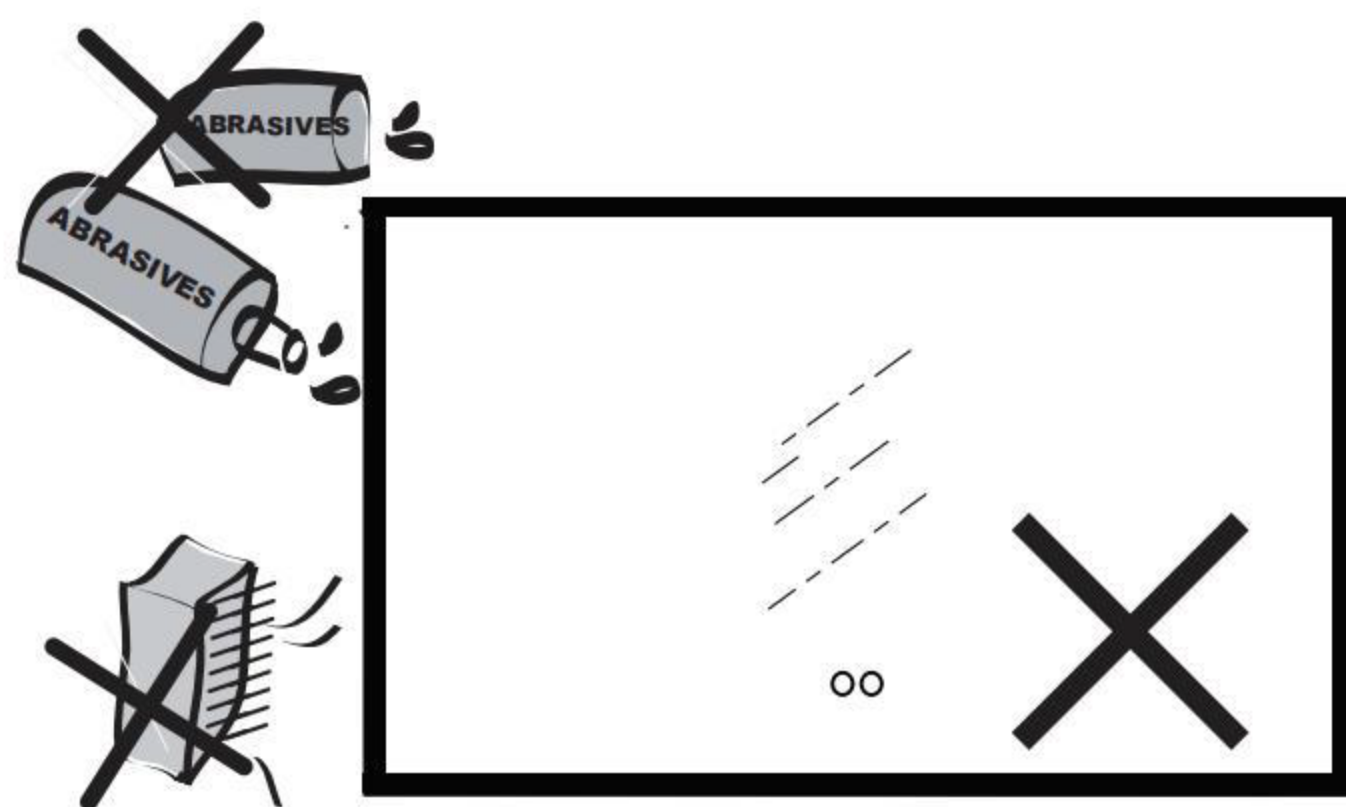
1



1. To avoid damage, do NOT knock the mirror cabinet with any hard objects;

##### ● CLEANING

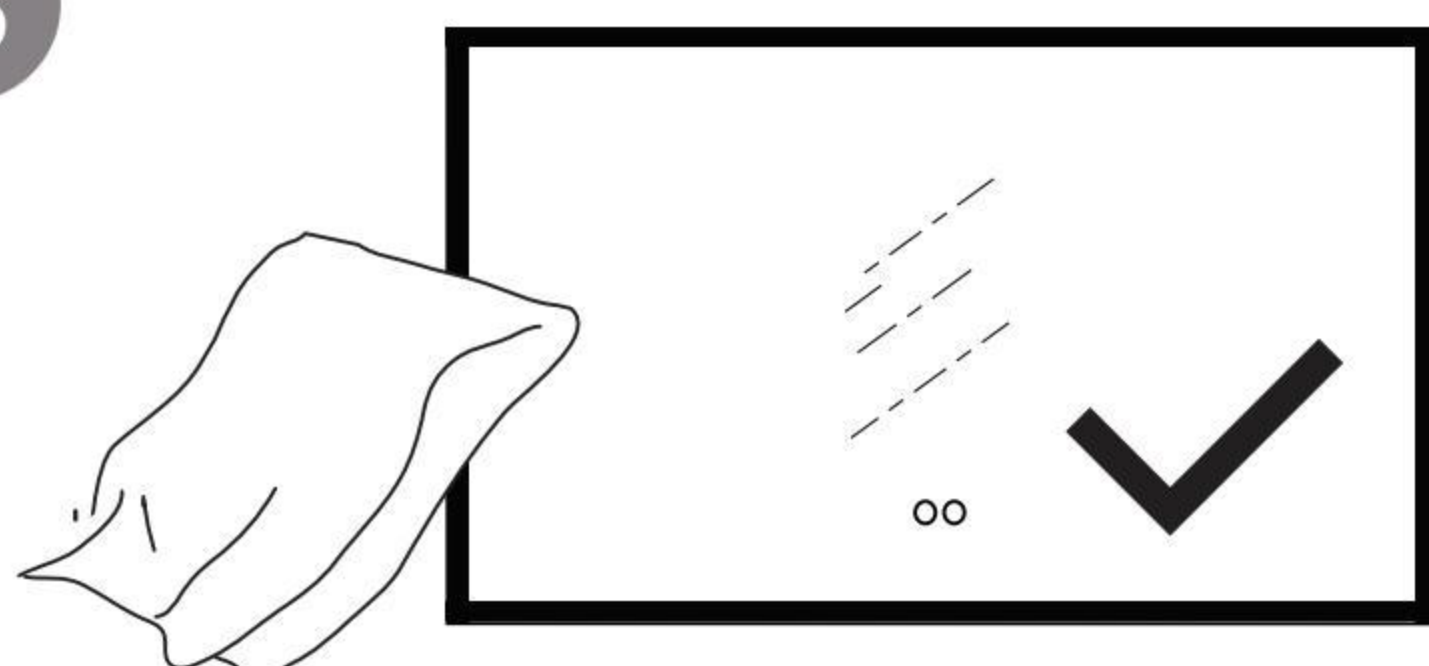
2



2. Do NOT clean the mirror cabinet with caustic cleaner. Do NOT wipe the mirror cabinet with Bristle brush;

##### ● MAINTENANCE

3



3. For daily maintenance, please use soft cloth and mild cleaner to clean the mirror cabinet.