

Home Care Technical Specification

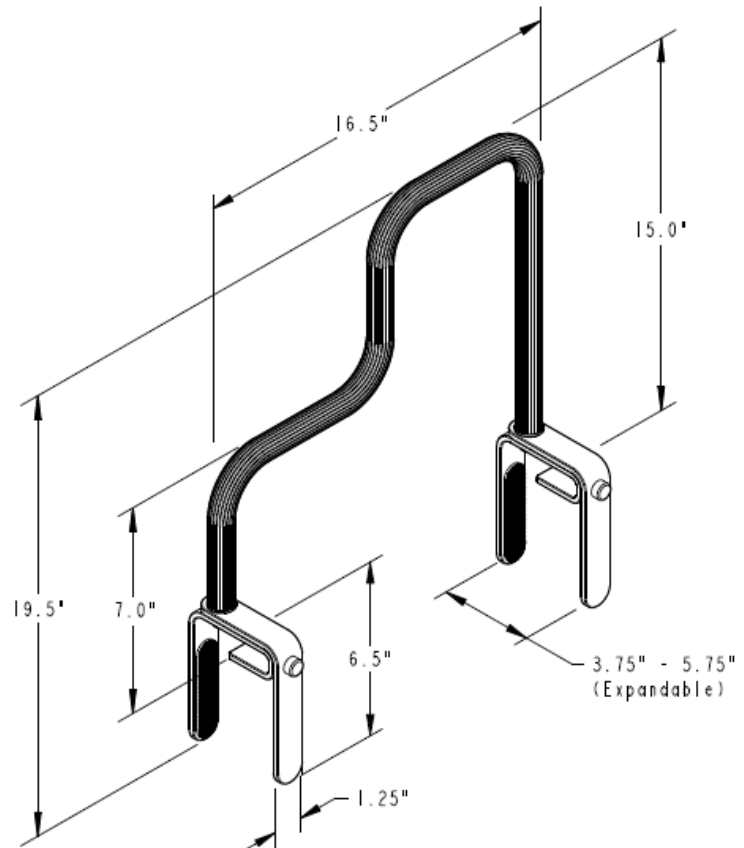
Multi-Grip Tub Safety Bar

DN7005

Stock Numbers:

- DN7005 – Multi-Grip Tub Safety Bar
White

Dimensions:



Materials:

ASSEMBLY TESTED
TO CONFIRM ADA
COMPLIANCE



Multi-Grip Tub Safety Bar is made from anodized aluminum with a powder coated white finish.

WARNING

TO PREVENT SERIOUS OR FATAL INJURY: Insure product is assembled, adjusted and used properly. FOR USE ONLY BY PERSONS WEIGHING LESS THAN 250 POUNDS. Failure to follow correct installation procedures can cause the grip to become loose. Check after installation to make sure grip is secure, and check periodically to be sure grip remains secure. For use only to assist in balance while entering and exiting tub. Contact CSI immediately at 1-800-882-0116 if any components are missing or damaged. Do not modify or substitute any components. FOR QUESTIONS OR ASSISTANCE WITH ASSEMBLY CONTACT CSI AT 1-800-882-0116. Consult healthcare professional for advice and instructions specific to user's needs before use.

Installation Instructions:

1. Loosen A and B bolts to allow bar and clamps to be adjusted to your tub.
2. Position the clamps to fit snugly against the sides and top rim of the tub and then adjust B bolt. Do not tighten yet.
3. Use the wrench provided to tighten A bolts so that the clamps are angled correctly for your tub.
4. Tighten B bolts firmly so that the clamp pads make secure, continuous contact with both sides of the tub walls. Retighten A and B bolts as necessary.

Stock Number: _____ Multi-Grip Tub Safety Bar
By Creative Specialties International



25300 AL MOEN DRIVE • NORTH OLMS TED, OH 44070 (800) 321-8809 •
FAX: (800) 848-6636 • INTERNATIONAL: (440) 962-2000 •
FAX: (440) 962-2726 CUSTOMER SERVICE (USA): 800-882-0116
WWW.MOEN.COM

©Copyright Creative Specialties International

BA1613