

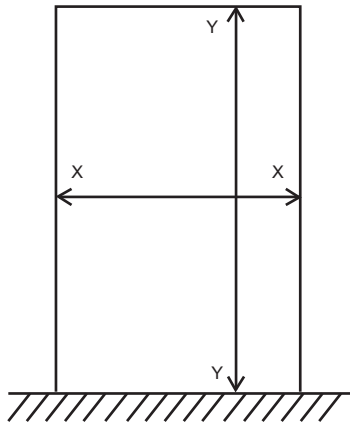
belldinni
interior doors

SWING

Technical and Installation

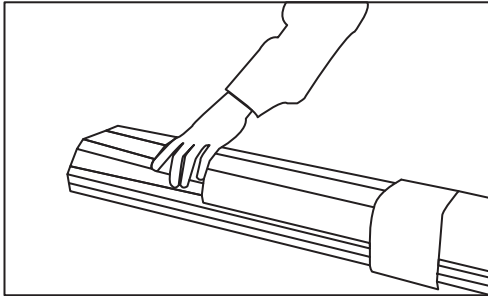
SWING | INSTRUCTIONS

1. MEASUREMENT OF THE OPENING



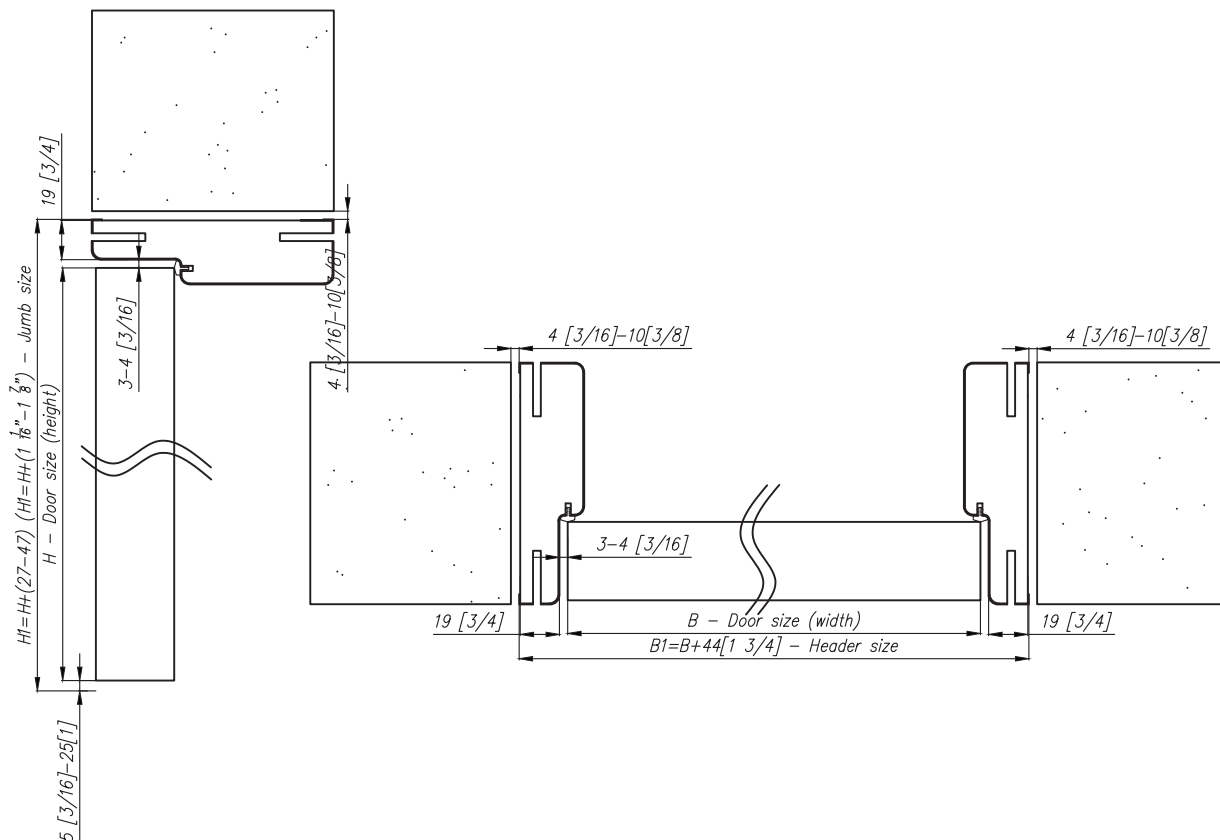
Rough opening
Door slab size:
Minimum width X-2"
Recommended width X-2,5"
Minimum height Y-2" from the finish floor
Recommended height X-2,5" from the finish floor

2. PACKING AND IDENTIFYNG FRAMS AND CASINGS SET

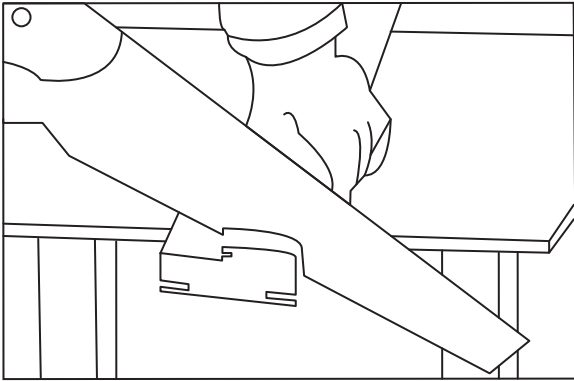


Packing and identifying
frames and casings set

3. ADJUSTING THE FRAMES TO THE DESIRED SWING



4. CUTTING HEADER TO THE SIZE OF THE DOOR



Jumb - $H1 = H + (27-47)$ ($H + (1\ 1/16'' - 1\ 7/8'')$)

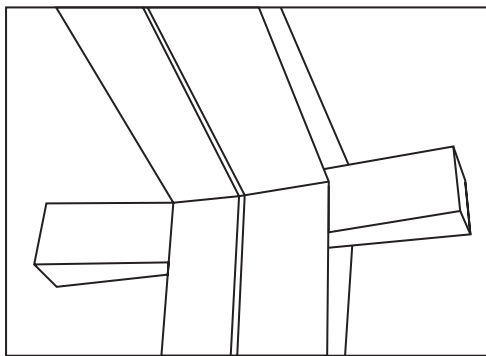
Header - $B1 = B + 44$ ($B + 1\ 3/4''$)

5. ASSEMBLING THE SINGLE SWING DOOR KNOCK DOWN SET



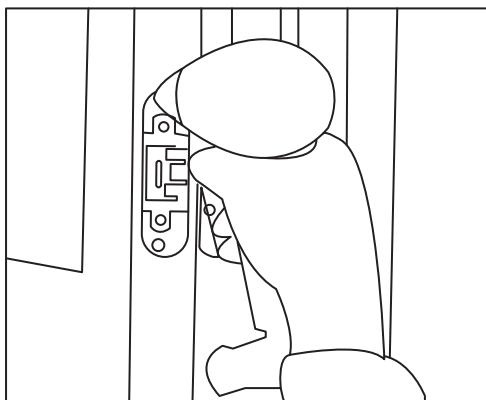
Drill holes with a diameter of $5/64 \times 6/64''$.
Tighten with $1/4 \times 2''$ screws.

6. ASSEMBLING THE SINGLE SWING DOOR KNOCK DOWN SET



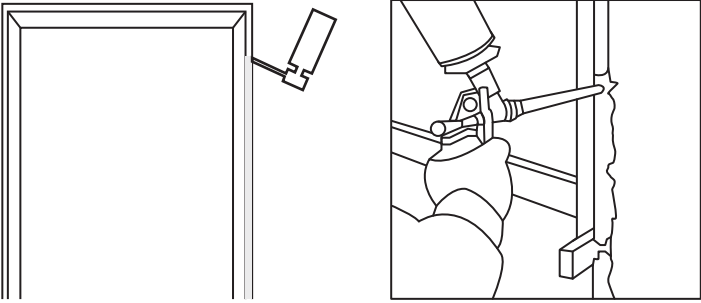
Door frame should be put into the opening.
It is fixated with wooden wedges.
Be sure to use pair wedges, setting them opposite to each other. The upper wedges should be at the interface levels of the vertical and horizontal parts of the door frame.
In order to fixate the bottom of the door frame with wedges, align the hinge side, check with building level in two planes.

7. HANGING THE PRE-CUT DOOR SLAB



Use $2\ 1/2''$ screws (not provided) to secure the hinge
Insert all hinges into the frame, insert all hinges into the slab
If necessary adjust the Hinges with the use of an allen key (not provided)

8. USING THE DOOR FOAM



Using the door foam (Use HILTI CF 812 door foam recommended to use (not provided))
Wait until it dries and cut off excess foam

9. INSTALLATION OF THE INSIDE CASING (DOOR MOLDING)

Mark the length needed, trim.

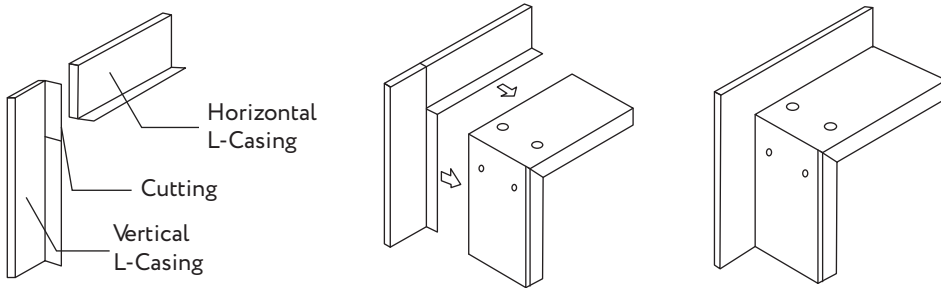
a. Place casing vertical along the jamb and place a header vertical to the frame header

b. Mark on the vertical casing where the top of the horizontal casing ends

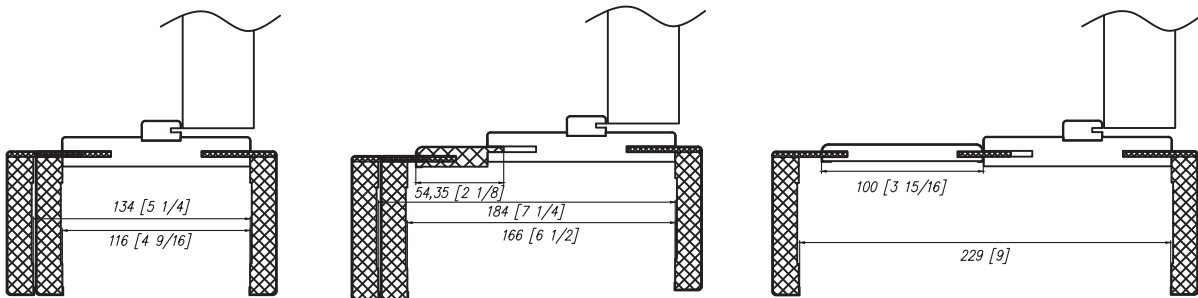
c. Cut the moldings and do the same things for the other side

d. Measure and cut the header

Use finished nail guns to fix the flat casing



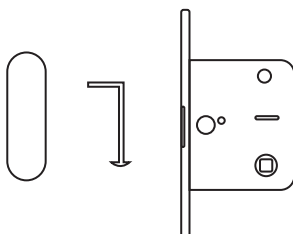
10. INSTALLATION OF THE EXTENSION AND OUTSIDE CASING



Extension type 8 for wall thickness greater than 5 1/8" (optional)

Extension type 8-1 for wall thickness greater than 6 1/2" (optional)

11. INSTALLATION OF THE LOCK AND DOOR HANDLE



Attention! If you purchased a door without a pre-cut/pre-installed hardware, then entrust the pre-cut and installation of the hardware to a specialist, this will avoid undesirable damage to the door parts.



belldinni
interior doors

www.belldinni.com
970 New Brunswick Ave,
Rahway, NJ, 07065
(908) 888-6802