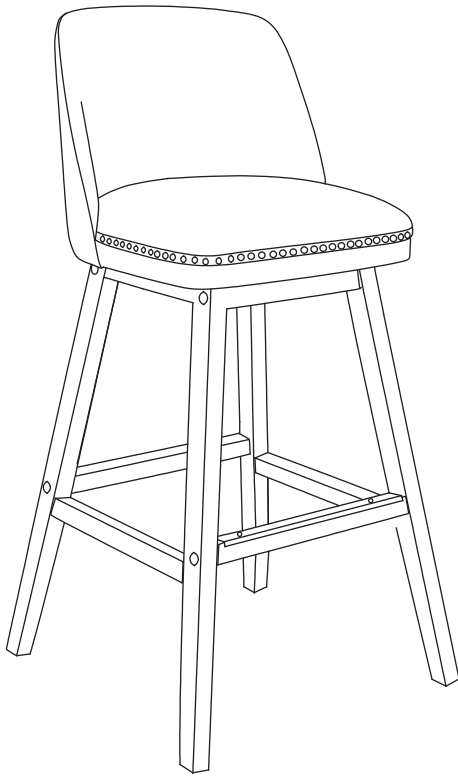


Thank you for your purchase!



UPHOLSTERED WOOD FRAMED BARSTOOL



ASSEMBLY INSTRUCTIONS

Before You Begin:

Please identify all component parts and hardware pieces required before you begin. Carefully remove all of the components from the packaging and set aside for assembly. Assemble on a soft surface to prevent scratching during assembly.

Caution:

Tighten all components securely before use. Failure to do so may result in personal injury. DO NOT use any sharp objects to open plastic wrapped components as damage to product or components may result.

Warning:

CHOKING HAZARD - Small Parts. Adult Assembly Required.

DO NOT ALLOW CHILDREN TO CLIMB ON FURNITURE

Serious or fatal injuries can occur from furniture tipping over. You must install Tipping Restraint Hardware (where included) to help prevent the unit from tipping and causing accidental injury, instability, death or damage. The tipping restraint is intended only as a safety measure, it is not a substitute for proper adult supervision.

To help prevent furniture from tipping over it must be permanently attached to the wall. Anti-Tip Safety Wall Straps suitable for the unit weight and wall materials (if not included) should be purchased and installed.

Customer Service Email: CustomerExperience@belnick.com | Phone: 866-552-2810

CH-192162X000PU-30-BK-GG / CH-192162X000PU-30-GY-GG / CH-192162X000-30-CHAR-GG
CH-192162X000-30-GY-GG / CH-192162X000PU-24-BK-GG / CH-192162X000PU-24-GY-GG
CH-192162X000-24-GY-GG / CH-192162X000-24-CHAR-GG

Have a Question/Concern?

Quality products and first-class customer service are the cornerstone of long-lasting consumer relationships. We strive toward excellence in all we do and want you to be completely satisfied with your purchase.

Please contact our exceptional Customer Experience Agents at the email address or phone number shown below to assist you with any product questions or issues before requesting a return.

We look forward to serving you in a friendly, efficient manner to resolve any issues you may have.

Customer Service Email: CustomerExperience@belnick.com

Customer Service Phone: 866-552-2810

Our Warranty Statement




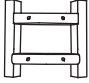



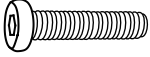



This warranty covers manufacturing defects associated with your new product. The product is warranted from the original purchase date and to the original purchaser for normal usage, according to the below-referenced specifications and limitations.

- Non-moving metal parts are warranted for 5 years.
- Component parts including pneumatic cylinder, control mechanism, base and casters are warranted for 2 years.
- All other items are warranted for 1 year.

Normal usage means use in compliance with the restrictions and weight limits specified for the product. In the absence of product-specific restrictions and weight limits, normal usage means use for no more than forty hours per week by persons weighing 250 lbs. or less. Coverage terminates if the product is sold or otherwise transferred. Repairs made by parties other than Belnick also void this warranty.

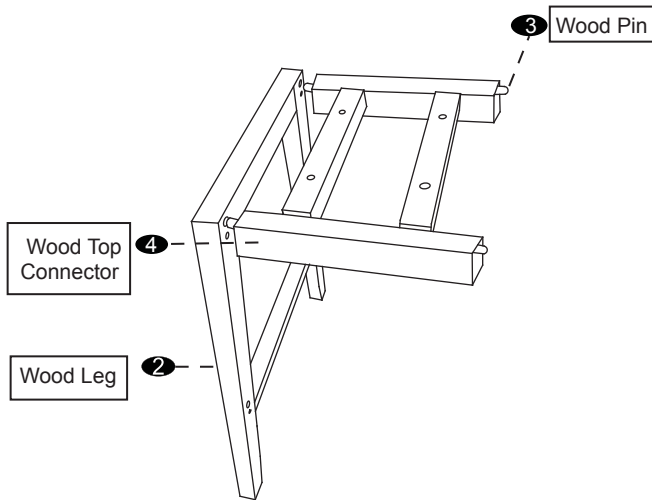
This warranty will not cover: (1) labor, freight, or damage from misuse, abuse, negligence, alteration, assembly, installation, attachments, accident, vandalism, acts of nature or any other event beyond the control of Belnick; (2) tearing, scratching, scuffing, or blemishing of leather or fabric; (3) cosmetic damage that may result from normal usage; (4) damage attributable to use by persons exceeding specified weight limits or commercial use exceeding forty hours per week; or (5) rust or other damage caused by exposure to moisture. The user assumes all risk of injury resulting from use of his product. Liability for incidental or consequential damage is excluded. Some states do not allow the exclusion or limitation of incidental or consequential damages, so the above limitation or exclusion may not apply to you.

PARTS

PART 1 TY: 1  Seat	PART 2 QTY: 2  Wood Legs	PART 3 QTY: 8  Wood Pin	PART 4 QTY: 1  Wood Top Connector	PART 5 QTY: 1  Wood Side Rail	PART 6 QTY: 1  Wood Side Rail With Metal Protector
PART 7 QTY: 8  M6x40mm	PART 8 QTY: 4  M6x70mm	PART 9 QTY: 12  M6x14x1.0mm Flat washer	PART 10 QTY: 1  Allen Wrench	PART 11 QTY: 8  Screw Cap	

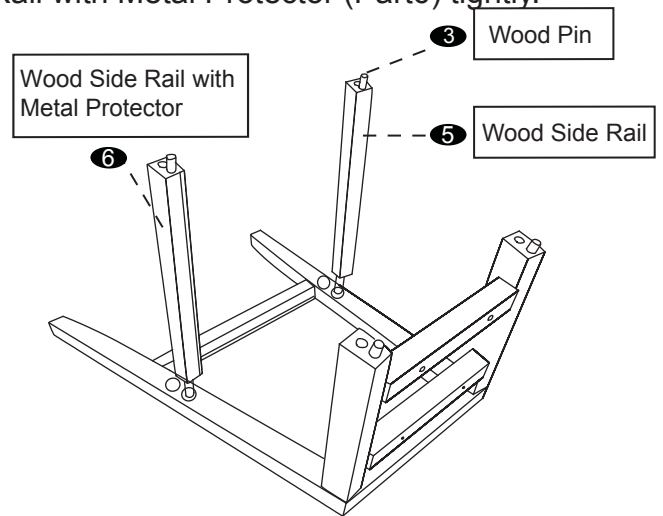
STEP 1

STEP1: Insert (4) Wood Pins (Part3) tightly into the Wood Top Connector (Part 4). Tightly insert the other end of Wood Pins into the holes of one Wood Leg (Part 2).



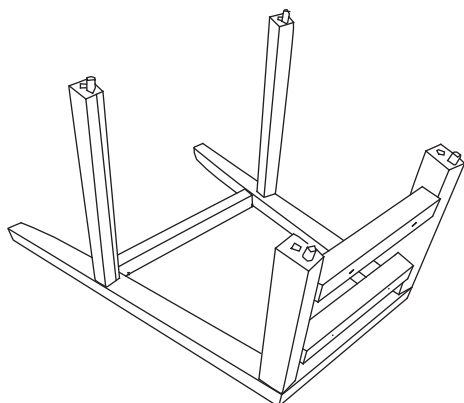
STEP 2

STEP2: Tightly insert (2) Wood Pins (Part3) into Wood Side Rail (Part 5) tightly. Insert the other end of the Wood Pins into Wood Side Rail with Metal Protector (Part6) tightly.



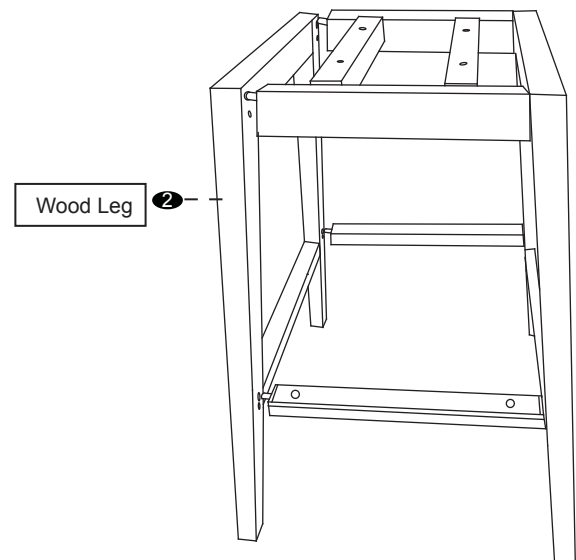
STEP 3

STEP3: Insert the other side of Wood Pins of the Wood Side Rails into the holes of the Wood Leg (Part 2) tightly.



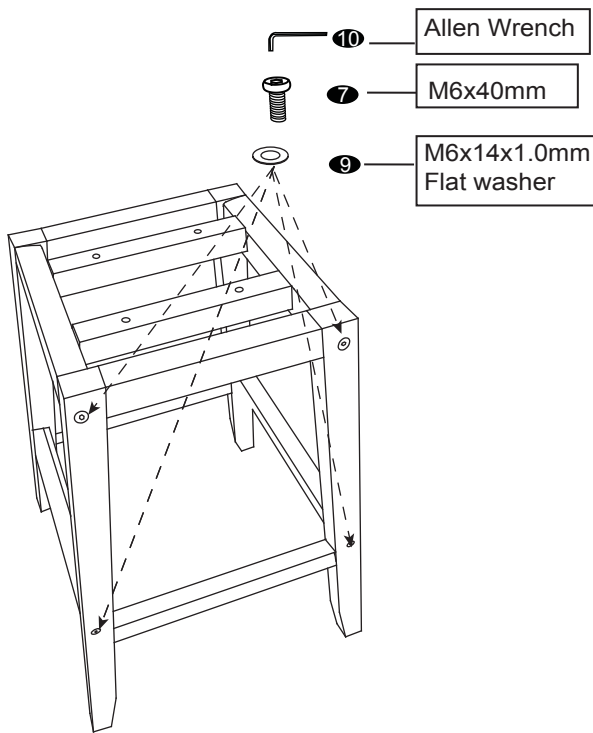
STEP 4

STEP4: Insert the other side of Wood Pins of the Wood Side Rails and Wood Top Connector into the holes of the other Wood Leg (Part 2) tightly.



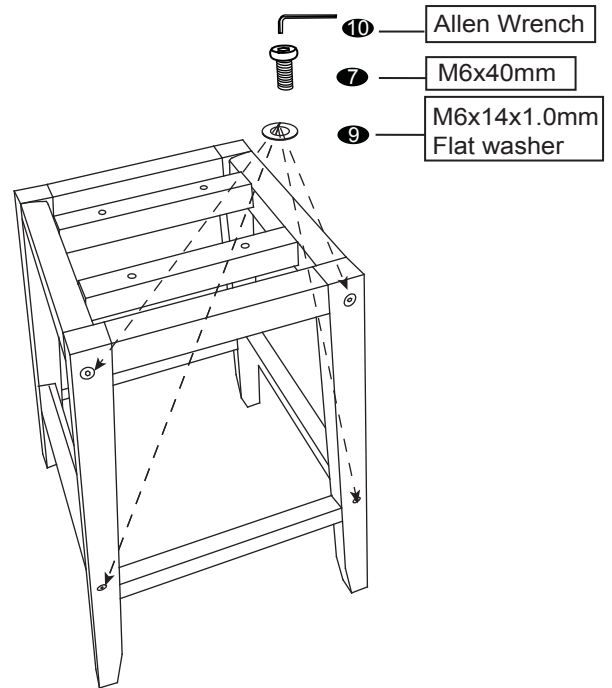
STEP 5

STEP5: Attach one side of the two Wood Side Rails (Part 5 and Part 6) and one side of Wood Top Connector (Part 4) to the two Wood Legs (Part 2) using (4) M6X14X1.0MM Flat Washers (Part9) and (4) M6X40MM Screws (Part 7). Tighten completely with Allen Wrench (Part10).



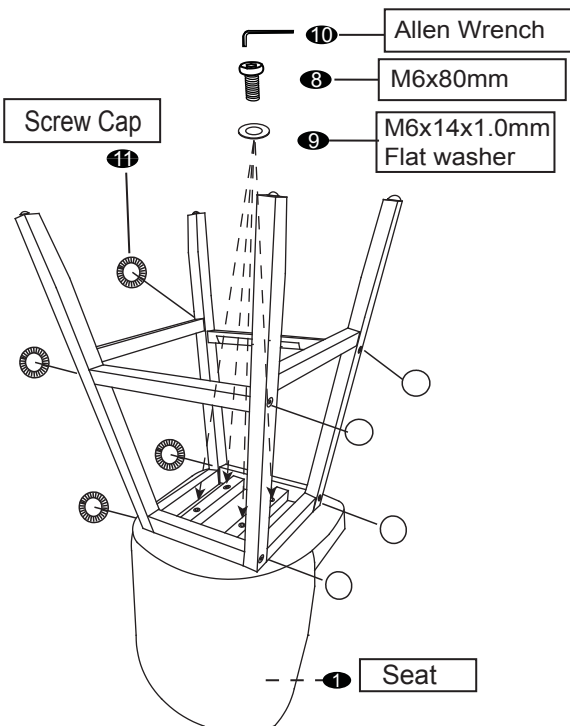
STEP 6

STEP6: Attach the other side of the two Wood Side Rails (Part 5 and Part 6) and the other side of Wood Top Connector (Part 4) to the two Wood Legs (Part 2) using (4) M6X14X1.0MM Flat Washers (Part 9) and (4) M6X40MM Screws (Part 7). Tighten completely with Allen Wrench (Part 10).



STEP 7

STEP7: Insert (8) Screw Caps (Part 11) into the holes of the two Wood Legs completely. Turn the Seat (Part 1) upside down and attach the assembled wood legs to the seat using (4) M6X14X1.0MM Flat Washers (Part 9) and (4) M6X80MM Screws (Part 8). Tighten with Allen Wrench (Part 10) completely.



STEP 8

