



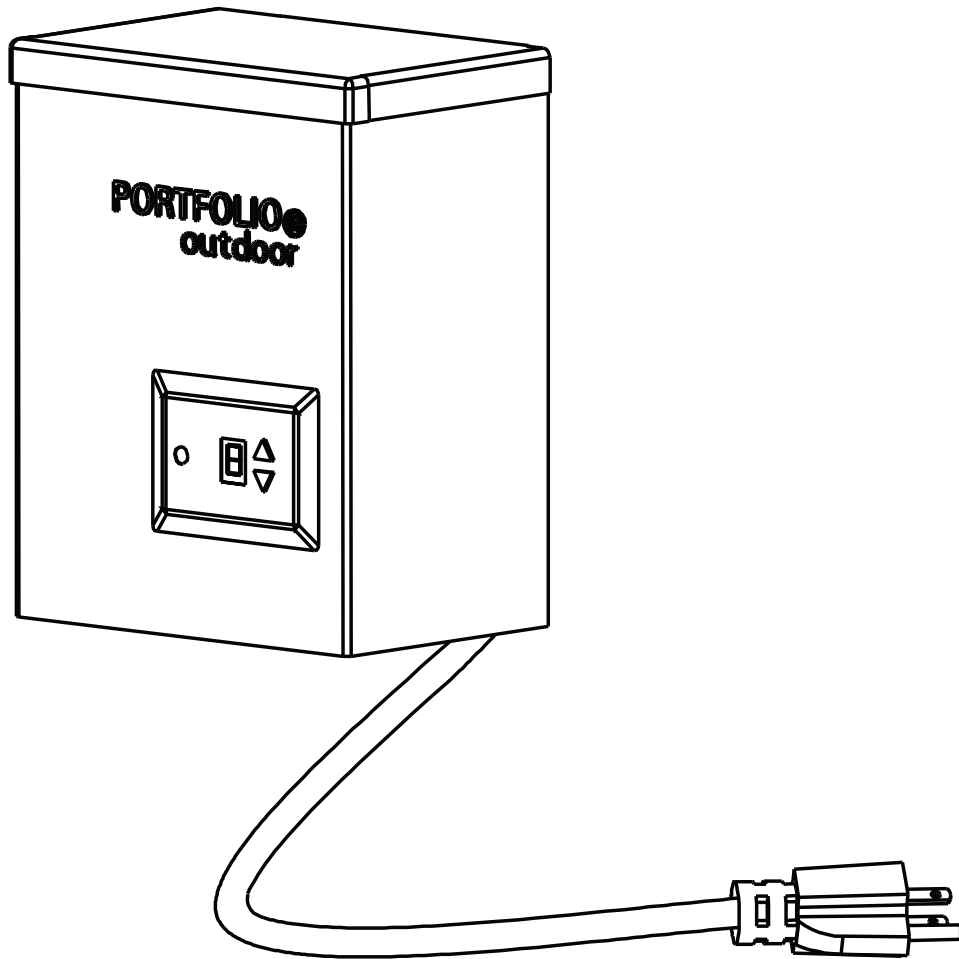
ITEM #0810817

200-WATT POWER PACK

MODEL #00689

Español p. 9

PORTFOLIO® and PORTFOLIO & Design™ are trademarks or registered trademark of LF, LLC. All rights reserved.



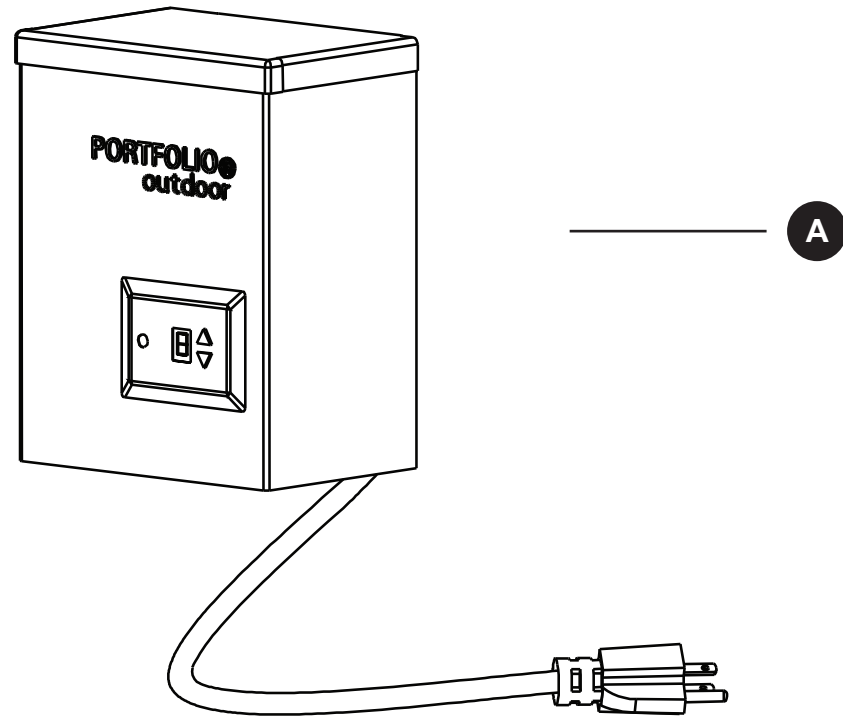
ATTACH YOUR RECEIPT HERE

Serial Number _____ Purchase Date _____



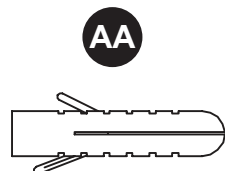
Questions, problems, missing parts? Before returning to your retailer, call our customer service department at 1-800-643-0067, 8 a.m. - 6 p.m., EST, Monday - Thursday, 8 a.m.-5 p.m., EST, Friday.

PACKAGE CONTENTS

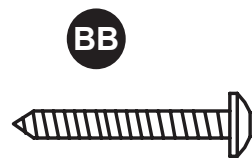


| PART | DESCRIPTION | QUANTITY |
|------|-------------|----------|
| A | Transformer | 1 |

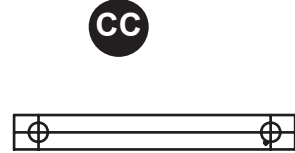
HARDWARE CONTENTS (shown actual size)



Anchor
Qty. 2



Phillips Screw
Qty. 2



Mounting Template
(not actual size)
Qty. 1

SAFETY INFORMATION

Please read and understand this entire manual before attempting to operate or install the product.

WARNING

- This transformer is for use with low-voltage landscape lighting systems ONLY.
- This transformer is suitable for outdoor use ONLY.
- The transformer is not suitable for use with submersible luminaries or pumps.

SAFETY INFORMATION

- DO NOT mount transformer on wood decks, indoors or in an enclosed area such as garages or crawl spaces.
- DO NOT repair or tamper with cord or plug.
- DO NOT use extension cords.
- DO NOT submerge the transformer in water.
- DO NOT connect two or more transformers together.
- DO NOT use the transformer with a dimmer switch.
- DO NOT install the transformer within 10 ft. of a pool, spa or fountain.
- Transformer MUST be mounted to a structure or a transformer stand in an upright position. DO NOT lay the transformer on the ground after connecting it to a circuit.
- DO NOT bury the connectors or cables at depth greater than 6 in.
- DO NOT exceed the maximum wattage of the transformer capacity (200 watts).
- ONLY plug the transformer cord into a covered 120-volt Class A Type GFCI (ground fault circuit interrupter) receptacle with a hooded flush type cover plate marked "WET LOCATION".

CAUTION

The device is a certified component for landscape lighting systems in which the suitability of the combination shall be determined by UL or other inspection authorities having jurisdiction.

CALCULATING LIGHTING CAPACITY

This transformer has a 200-watt circuit that powers up to 200 watts of light. To determine the maximum number of fixtures that can be safely connected to this transformer, add the individual wattage of all the fixtures. The total wattage of the fixtures must not exceed 200 watts output capacity.

NOTE

This equipment has been tested and found to comply with the limits for a Class B digital device, pursuant to Part 15 of the FCC Rules. These limits are designed to provide reasonable protection against harmful interference in a residential installation. This equipment generates, uses and can radiate radio frequency energy and, if not installed and used in accordance with the instructions, may cause harmful interference to radio communications. However, there is no guarantee that interference will not occur in a particular installation. If this equipment does cause harmful interference to radio or television reception, which can be determined by turning the equipment off and on, the user is encouraged to try to correct the interference by one or more of the following measures: Reorient or relocate the receiving antenna; Increase the separation between the equipment and receiver; Connect the equipment into an outlet on a circuit different from that to which the receiver is connected; Consult the dealer or an experienced radio/TV technician for help.

PREPARATION

Before beginning installation of product, make sure all parts are present. Compare parts with package contents list and hardware contents list. If any part is missing or damaged, do not attempt to assemble the product.

Estimated Assembly Time: 30 minutes

Tools Required for Assembly (not included): Phillips Screwdriver, Drill, 3/16 in. Drill Bit, and Wire Strippers.

ASSEMBLY INSTRUCTIONS

1. Select location near a 120-volt covered GFCI outlet. Using mounting template (CC), mark holes for transformer (A) at desired location.

Note: The mounting template must be minimum 12 in. off the ground level.

Hardware Used

- CC** Mounting Template  x 1

2. Drill holes at depth of about 1.2 in. using 3/16 in. drill bit (not included). Install anchors (AA) and Phillips screws (BB), leaving enough space for the transformer (A) to hang on the the screws.

Note: Do not attach transformer (A) to the wall at this time.

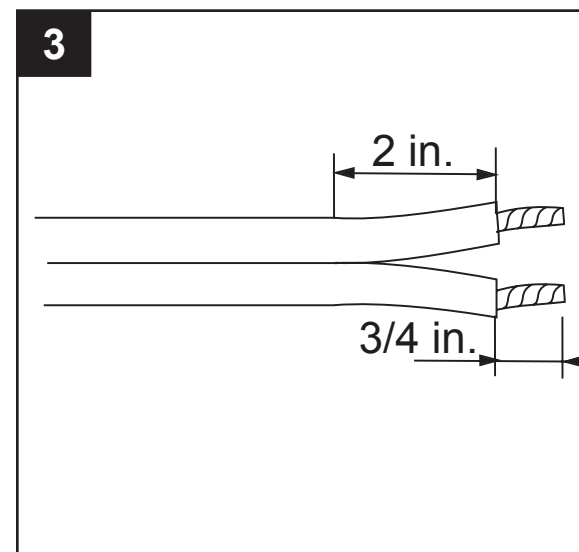
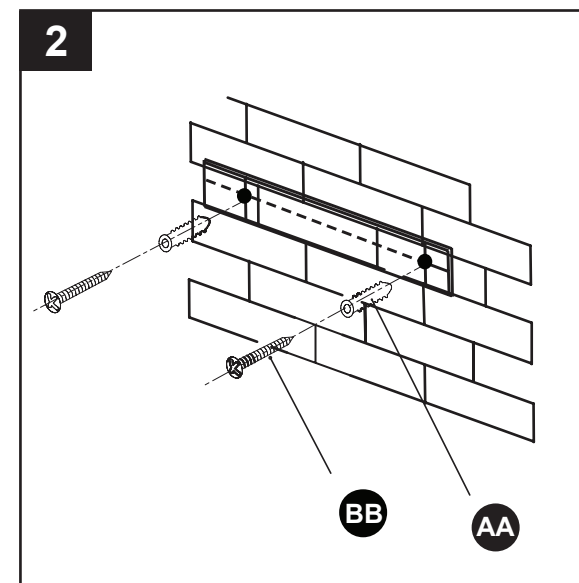
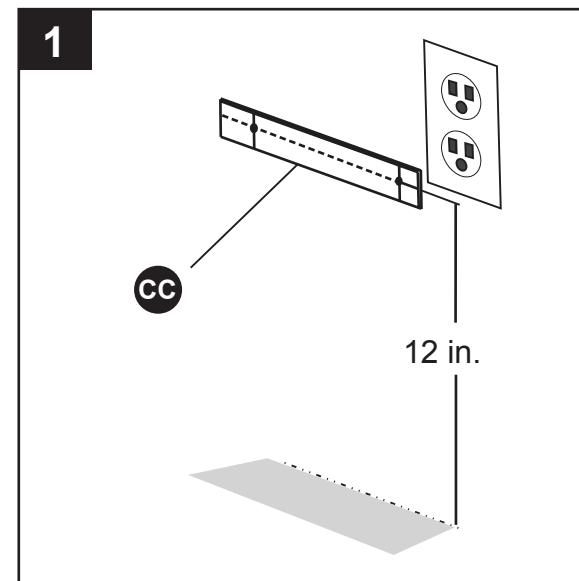
Hardware Used

- AA** Anchor  x 2

- BB** Phillips Screw  x 2

3. For low-voltage cable connections, split one end of the low-voltage cable (not included) approximately 2 in., and strip about 3/4 in. of insulation off each wire. Twist each side of wire so the copper is not frayed.

Note: Using the correct gauge cable is essential for obtaining proper lighting performance. For use with SPT-3, SPT-2, underground low energy circuit outdoor type cable (Minimum 25 in. length). See chart:



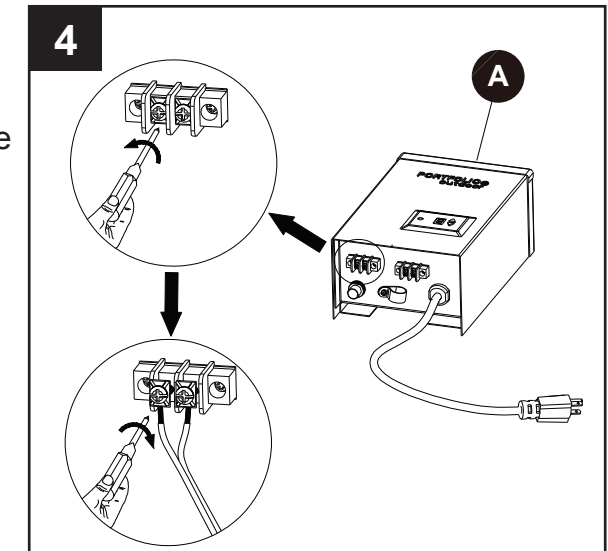
ASSEMBLY INSTRUCTIONS

Recommended installation configurations for each output terminal:

| Combined Wattage of all fixtures | Recommended Cable Gauge | Using 12V Recommended Cable Length |
|----------------------------------|-------------------------|------------------------------------|
| Less than 200W | 14 | Less than 200 ft |
| | 12 | Less than 300 ft |

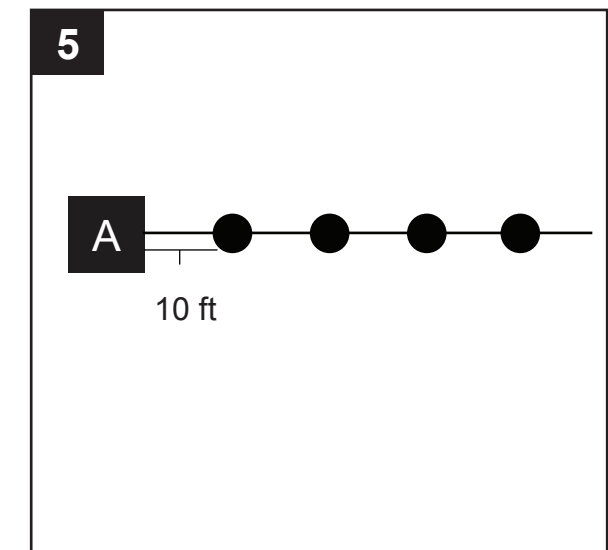
4. Loosen the terminal screws located on the bottom of the transformer (A) and insert one of the pre-stripped wires under the terminal clamping plate and securely tighten the terminal screw. Repeat this process for the other side of the wire, inserting it into the second wire terminal.

CAUTION: To reduce the risk of fire, electrical shock or damage to the transformer (A), ensure there is no wire insulation under the terminal clamping plate and the screws connecting the cable to the transformer terminals are securely tightened.



5. Lay a length of low-voltage cable in the general area where the lights are to be installed. Distribute light fixtures (not included) as evenly as possible along the low-voltage cable.

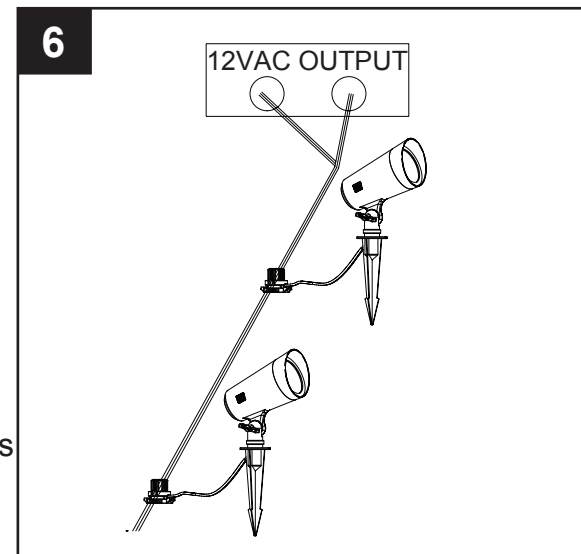
Note: The first fixture should be a minimum of 10 ft. away from the transformer (A).



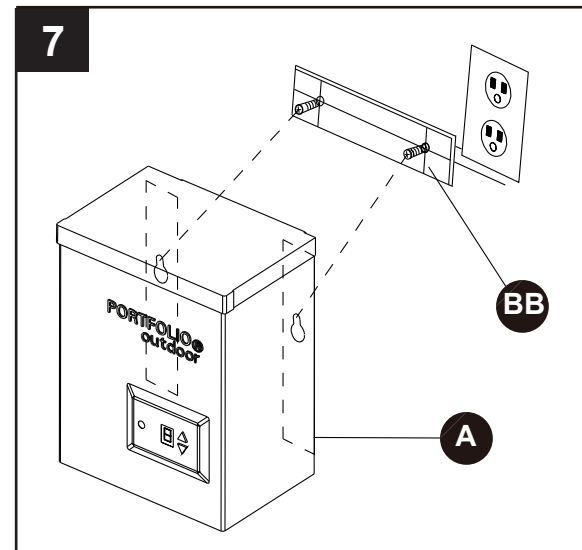
ASSEMBLY INSTRUCTIONS

6. Plug the transformer into the outlet and turn the transformer on (refer to operating instructions below). Connect the light fixtures to the low-voltage cable (not included) using fixture connectors, and test the system before finalizing installation. Once testing is completed and the system is operational, the cable may be covered with landscape material (mulch, rock, etc.) or buried up to 6 in. deep.

Note: If the first light connection does not result in the light turning on, refer to the troubleshooting section on page 7. When the transformer (A) is on, an audible hum may be heard. This is normal and does not affect the performance of the transformer (A).



7. Mount the transformer (A) to the wall by hanging the transformer (A) on the Phillips screws (BB) by means of the keyhole slots located on the back.



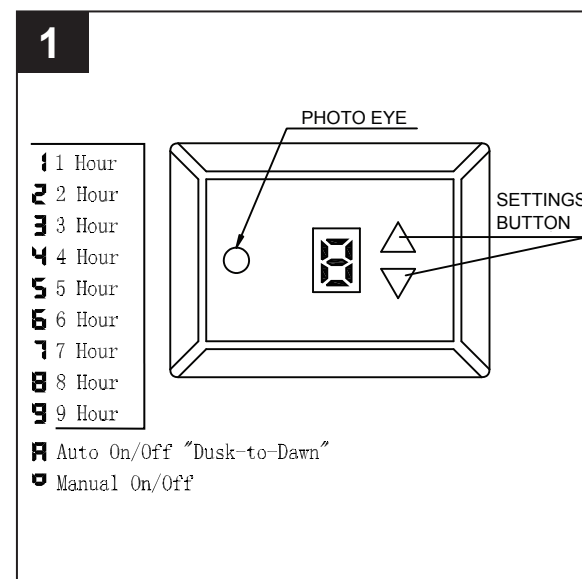
OPERATING INSTRUCTIONS

1. After properly installing the transformer (A), turn on the electrical source. There are two buttons for operation. By pressing either button, it will turn to another working mode. Push either button repeatedly to scroll through different selections.

“O” --ON (lights stay on until manually turned off).

“A” --AUTO (lights turn on at dusk and off at dawn.)

“1” - “9” -- TIMING (lights turn on at dusk and off after the selected number of hours.)



OPERATING INSTRUCTIONS

CAUTION: If the manual circuit breaker trips, there is a risk of fire. Reset the unit by pressing the reset button located on the bottom of the transformer after checking the following:

- Cable is correctly inserted in the cable terminals at the bottom of the transformer and no wire insulation is under the terminal clamping plate.
- Check for overload or short circuits (wires touching) along the cable.
- Check that fixtures are correctly installed on the cable and that there are no short circuits.

Make all repairs before pressing reset button and operating the lighting system.

If you want to test the photo eye during the day, plug the transformer and cover the photo eye so the photo eye does not receive any light). Press the setting button to “A”, making sure the photo eye is completely covered, and your light fixtures will turn on. Uncover the photo eye and your lighting fixtures will shut off automatically.

Note: There will be a 30-60 second delay between the lights turning on/off once the photo eye is covered/uncovered.

TROUBLESHOOTING

| PROBLEM | POSSIBLE CAUSE | CORRECTIVE ACTION |
|----------------------|--|--|
| Fixture doesn't work | <ol style="list-style-type: none"> 1. The transformer is not plugged in and turned on. 2. Low-voltage cables are not connected to the transformer properly. 3. Fixture connector is not properly installed on the low-voltage cable. 4. The transformer is overloaded. 5. The manual circuit breaker has tripped. | <ol style="list-style-type: none"> 1. Plug the transformer into the outlet and turn the transformer on. 2. Ensure the wires are inserted properly into the cable terminals and the terminal screws are securely tightened. 3. Make sure the connect pins pierce wire insulation and make proper contact with the wire. 4. Check the total wattage of all connected fixtures. Total wattage must not exceed 200 watts. 5. Push the reset button on the bottom of the transformer to reset the circuit breaker. |

WARRANTY

The manufacturer warrants the transformer against defects in materials and workmanship for a period of one year from the date of purchase. If within this period the product is found to be defective in material or workmanship, the product must be returned, with a copy of the bill of sale as proof of purchase, to the original place of purchase. The manufacturer will, at its option, repair, replace, or refund the purchase price to the original purchaser/consumer. This warranty does not cover the fixture becoming damaged due to misuse, accidental damage, improper handling and/or installation and specifically excludes liability for direct, incidental or consequential damages. As some states do not allow exclusions or limitations on an implied warranty, the above exclusions and limitations may not apply. This warranty gives you specific rights and you may also have other rights that vary from state to state.

REPLACEMENT PARTS LIST

For replacement parts, call our customer service department at 1-800-643-0067, 8 a.m. - 6 p.m., EST, Monday - Tuesday, 8 a.m. - 5 p.m., Friday.

| PART | DESCRIPTION | PART # |
|------|-------------------|---------------|
| AA | Anchor | 309100-007900 |
| BB | Phillips Screw | 309100-007900 |
| CC | Mounting Template | 309100-007900 |

