

## PARTS LIST / LISTE DES PIÈCES / LISTA DE PIEZAS

ITEM NO. / ARTICLE NO. / ARTICULO NO : DS-D330-211

DESCRIPTION / DESCRIPCIÓN : SIDE TABLE/TABLE D'APPOINT/MESA AUXILIAR

○  
This product is not designed as a clothing unit and HAS NOT BEEN ASTM F2057-19 tested (tip test)



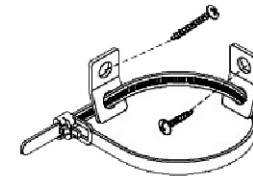
Serious or fatal injuries can occur from furniture tip-over. We have provided a tip-restraint for your safety. Please install immediately and follow the guidelines below :

- Place heavier items in bottom drawers.
- Do not set heavy items, including TVs on top of product unless product specifically allows.
- Do not allow children to climb on product, including doors, shelving and drawers.
- Open drawers individually.



**A**

X1 SIDE TABLE  
X1 TABLE D'APPOINT  
X1 MESA AUXILIAR



**B**

x1 Furniture Tipping Restraint  
x1 Systeme antibasculement  
x1 Control para evitar vuelcos

\* Replaceable Part

## ASSEMBLY INSTRUCTIONS / NOTICE DE MONTAGE / INSTRUCCIONES DE MONTAJE

ITEM NO. / ARTICLE NO. / ARTICULO NO : DS-D454-215

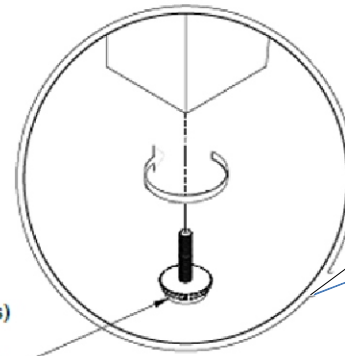
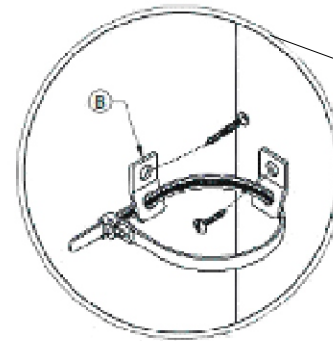
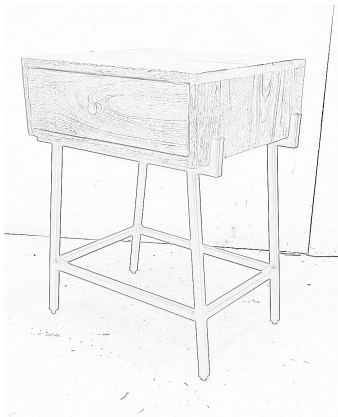
DESCRIPTION / DESCRIPCIÓN : SIDE TABLE/TABLE D'APPOINT/MESA AUXILIAR

This product is not designed as a clothing unit and HAS NOT BEEN ASTM F2057-17 tested (tip test)

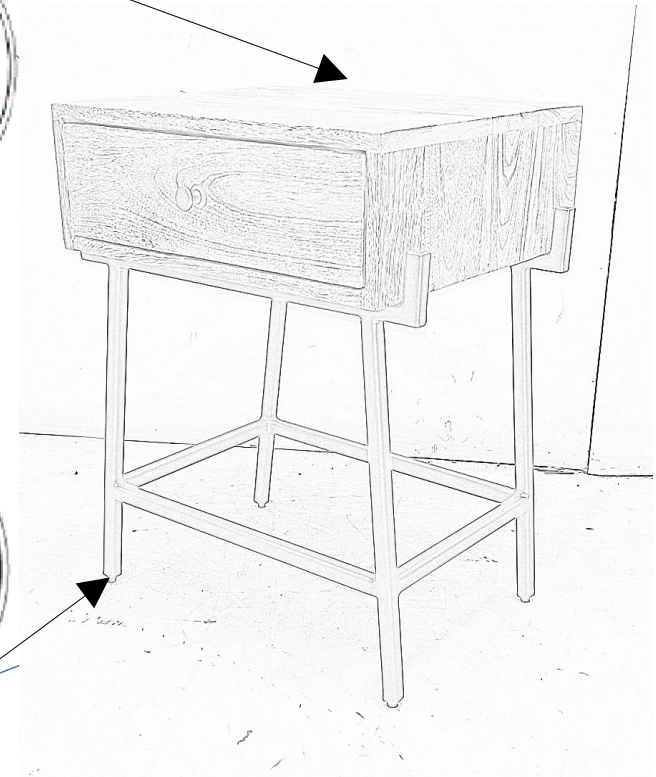


Serious or fatal injuries can occur from furniture tip-over. We have provided a tip-restraint for your safety. Please install immediately and follow the guidelines below:

- Place heavier items in bottom drawers.
- Do not set heavy items, including TVs on top of product unless product specifically allows.
- Do not allow children to climb on product, including doors, shelving and drawers.
- Open drawers individually.



Adjustable leveler ( 4pcs)  
Patin réglable ( x4)  
Nivelador ajustable( x4)



adjustable levelers are pre-installed  
les niveleurs réglables sont préinstallés  
niveladores ajustables están preinstalados

\* Replaceable Part