

# Drawer Storage Tower

## Instruction Manual

CAB-5BC-V2



EST 9:00AM--17:00PM

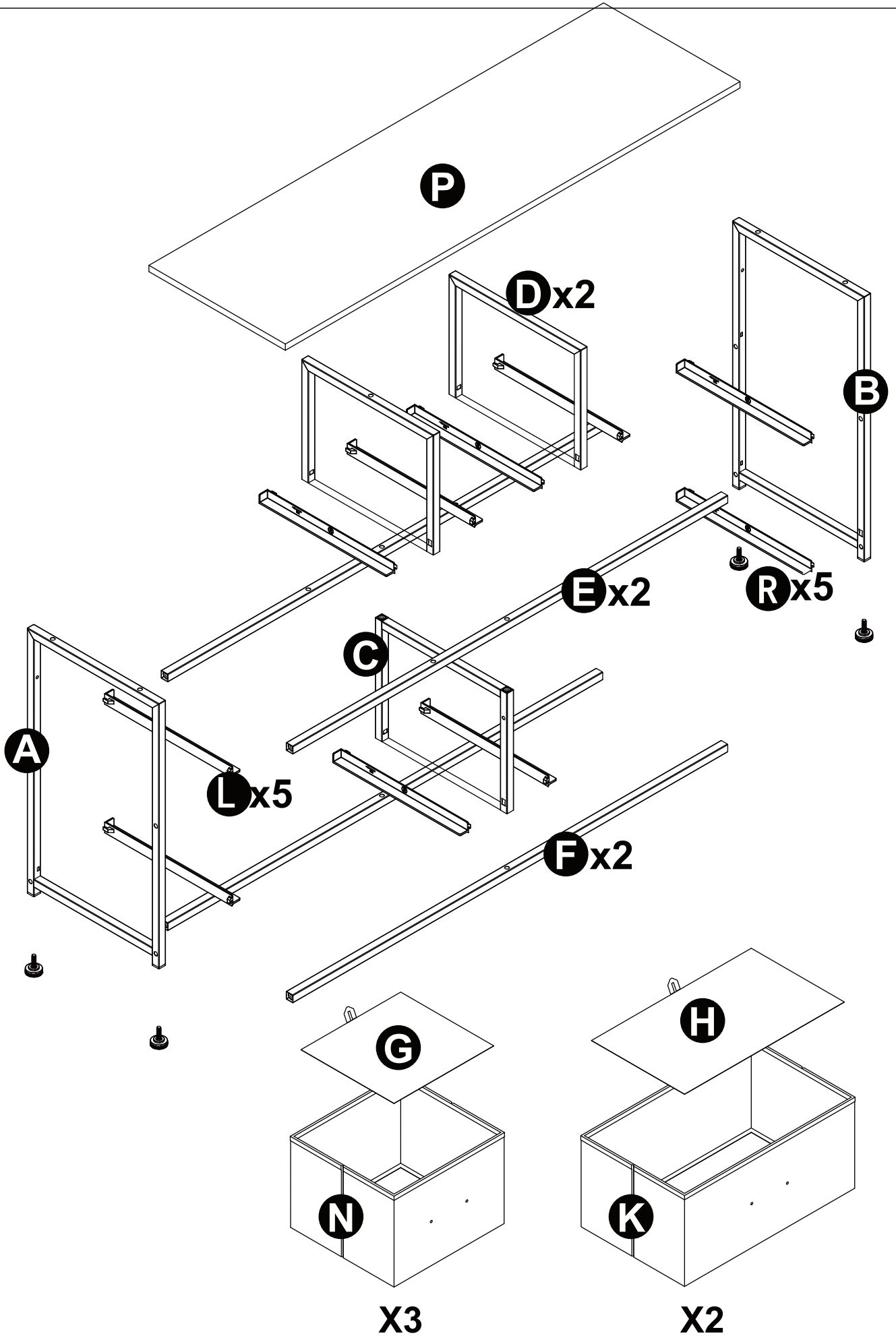


HJ-Customer-Service@outlook.com



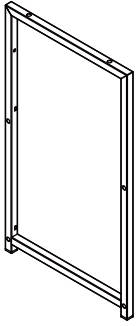
(909)637-7665 | (909)637-7593

# 1 Component List



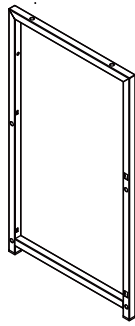
# 2 Package List

**A**x1



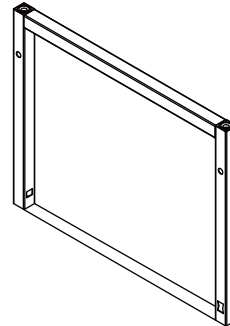
Left Frame

**B**x1



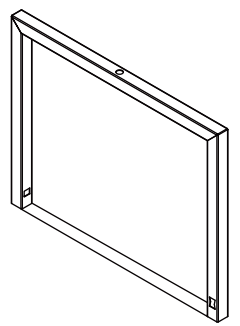
Right Frame

**C**x1



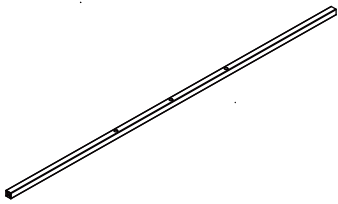
Middle Frame

**D**x2



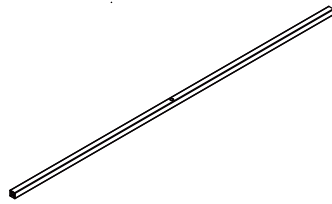
Top Frames

**E**x2



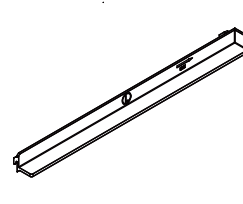
Top Cross Bars

**F**x2



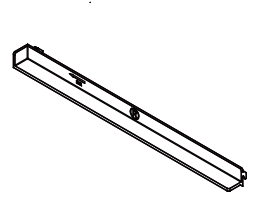
Bottom Cross Bars

**L**x5



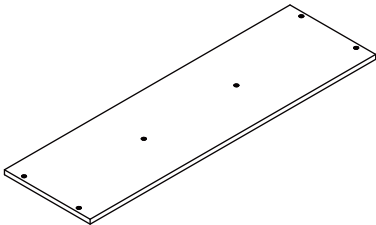
Left Drawer Slides

**R**x5



Right Drawer Slides

**P**x1



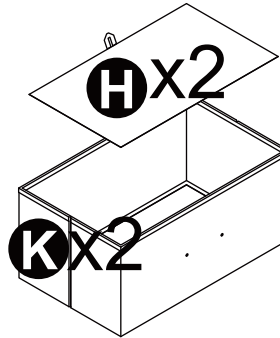
Top Board

**G**x3



Small Drawers

**H**x2

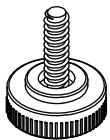


Big Drawers

**N**x3

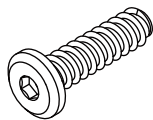
**K**x2

**1**x4



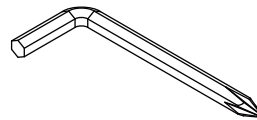
Leveling Feet

**2**x22



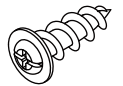
Screws  
M6 x 22mm

**3**x1



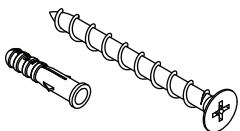
Wrench

**4**x10



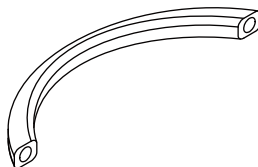
Screws  
M4 x 10mm

**5**x2



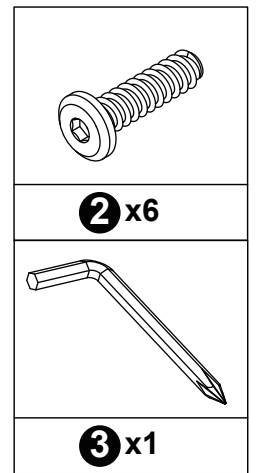
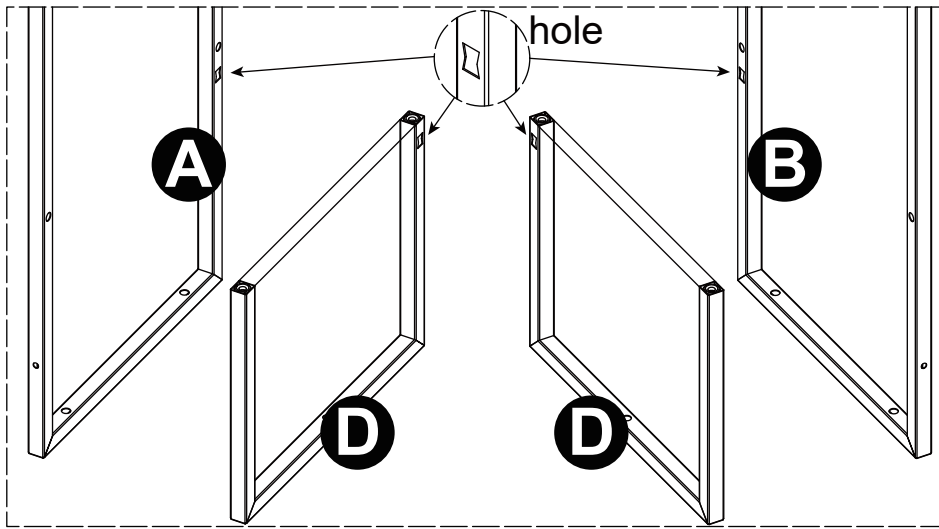
Screws &  
Expansion Tubes  
M4x60mm

**6**x5

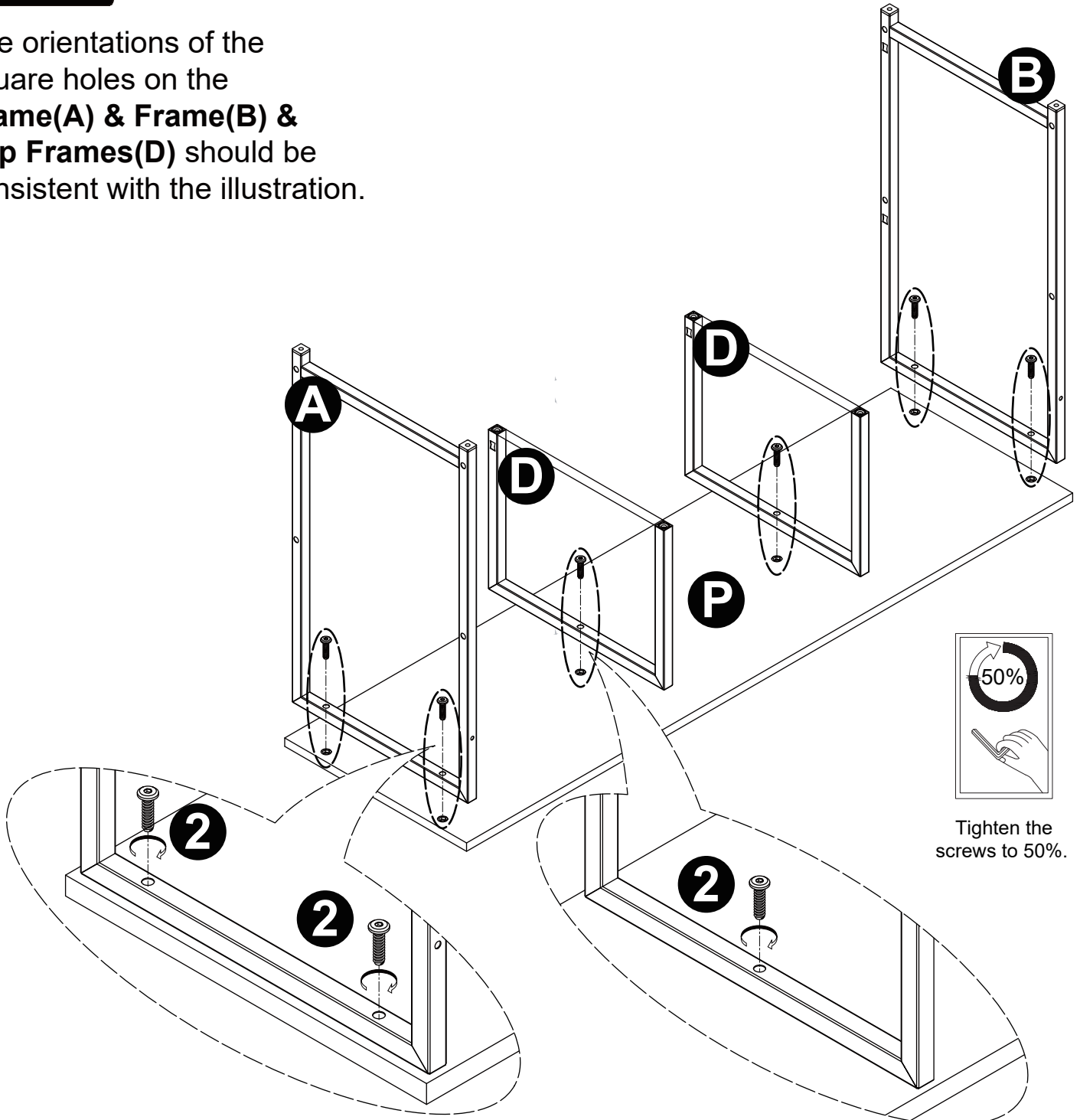


Drawer Handles

# Step 1

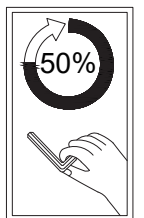
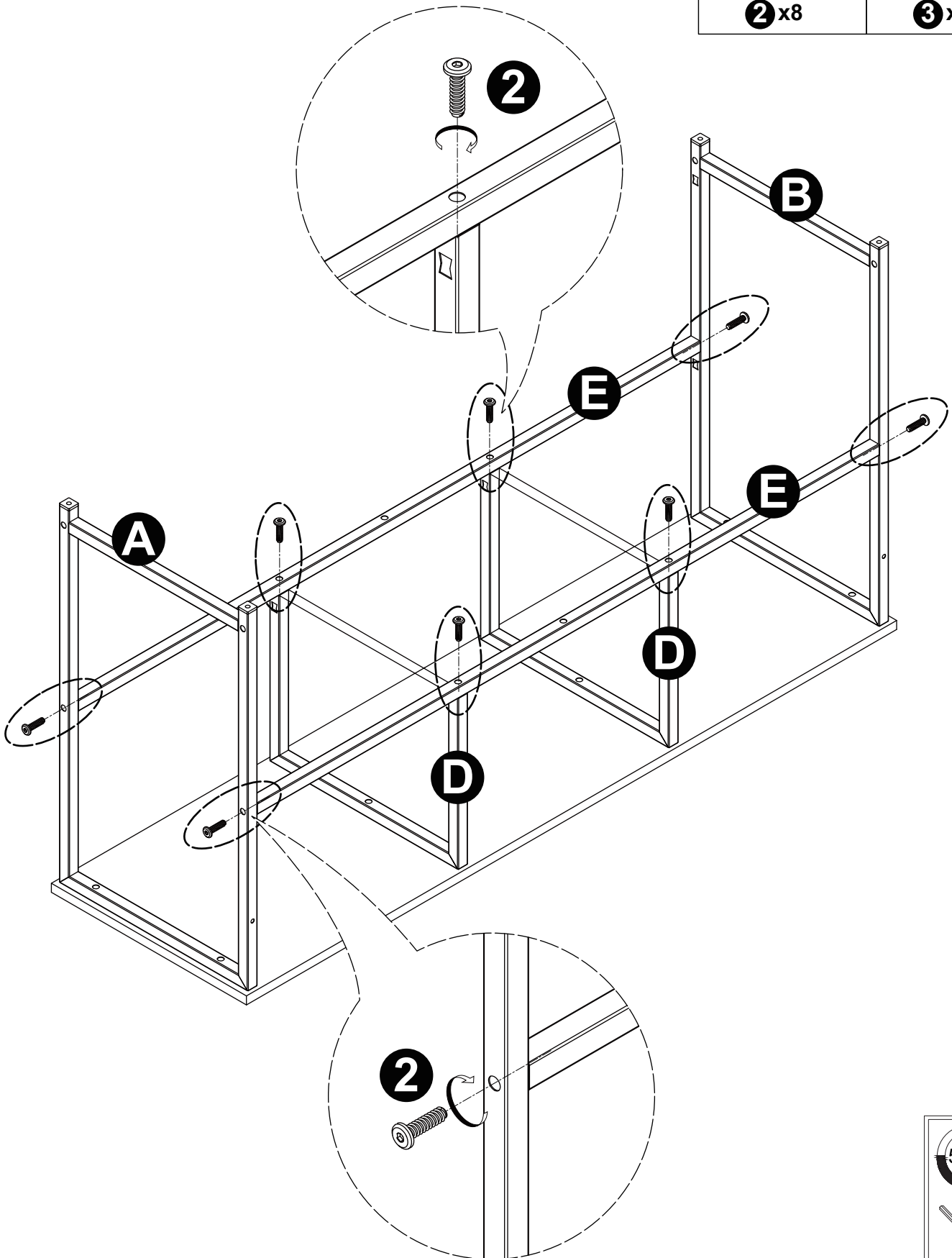
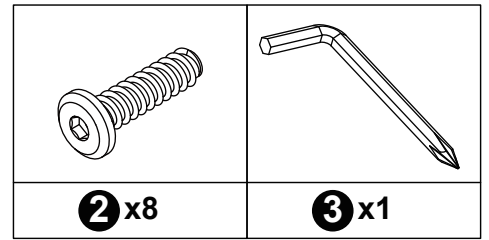


The orientations of the square holes on the **Frame(A) & Frame(B) & Top Frames(D)** should be consistent with the illustration.



Tighten the screws to 50%.

# Step 2

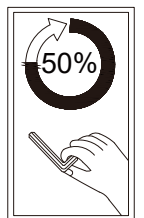
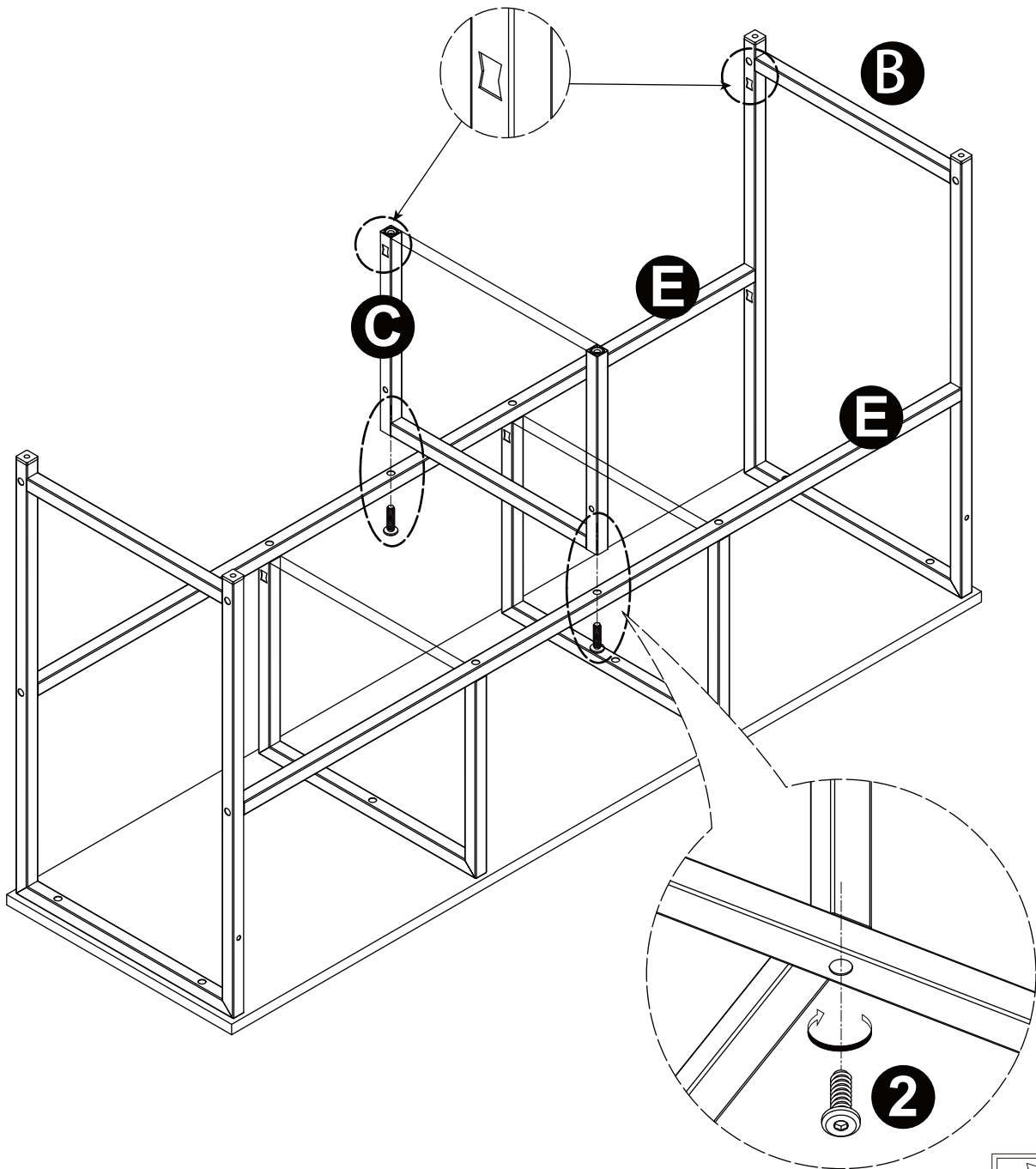
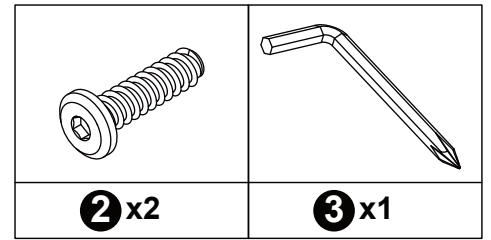


Tighten the screws to 50%.

# Step 3

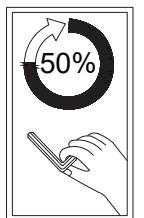
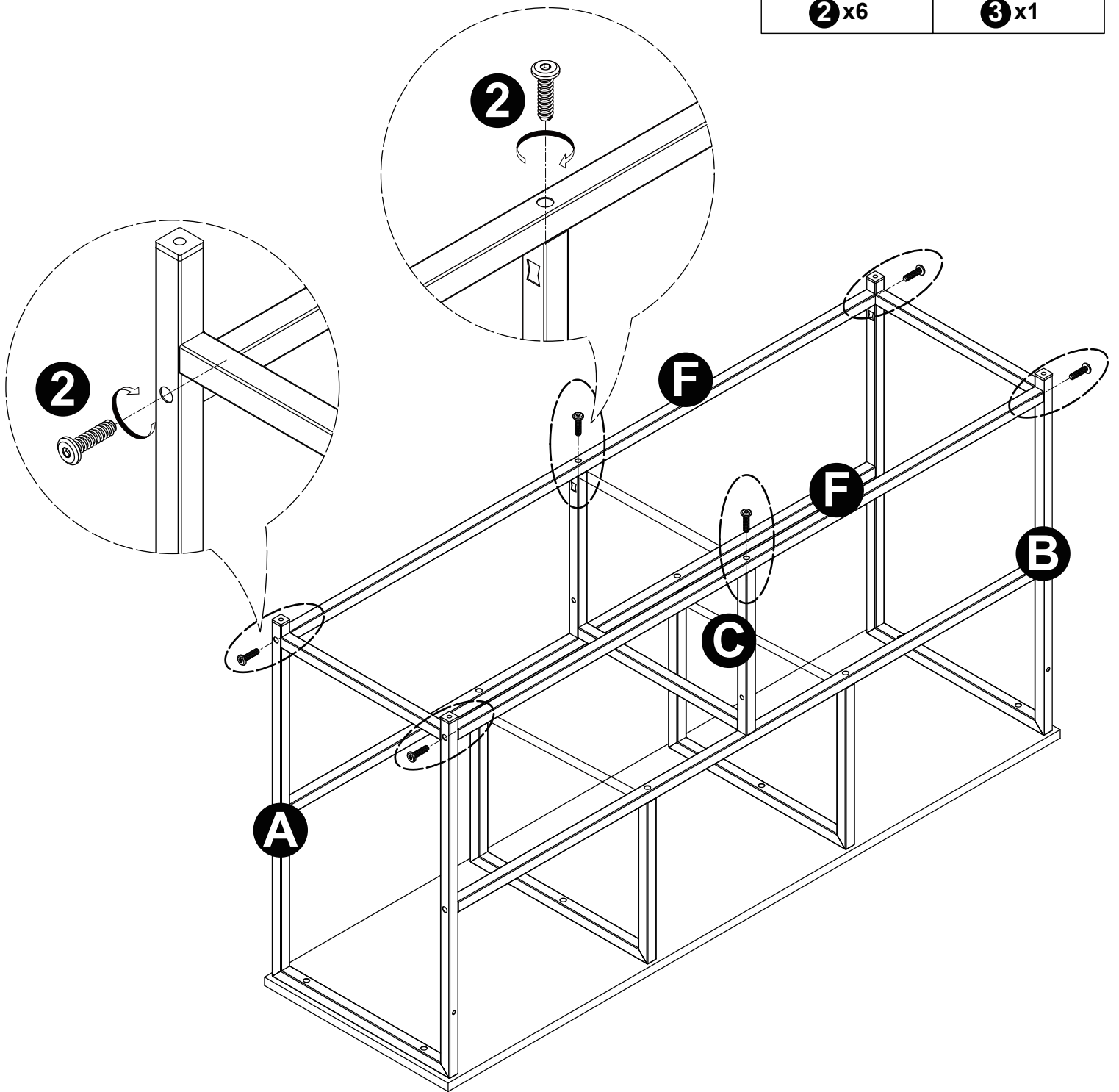
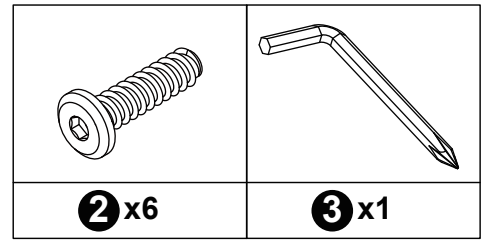


The orientations of the square holes on the **Frame(B)** & **Middle Frame(C)** should be consistent with the illustration.



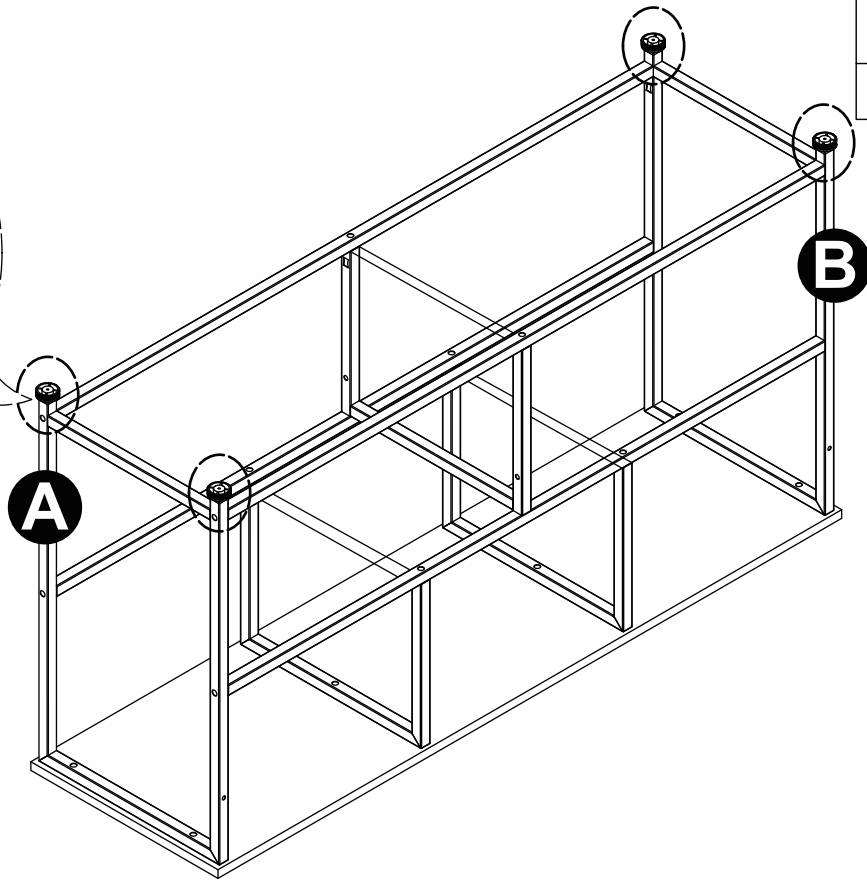
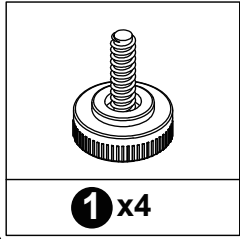
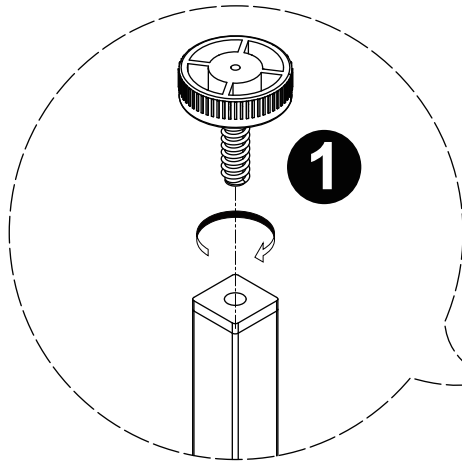
Tighten the screws to 50%.

# Step 4

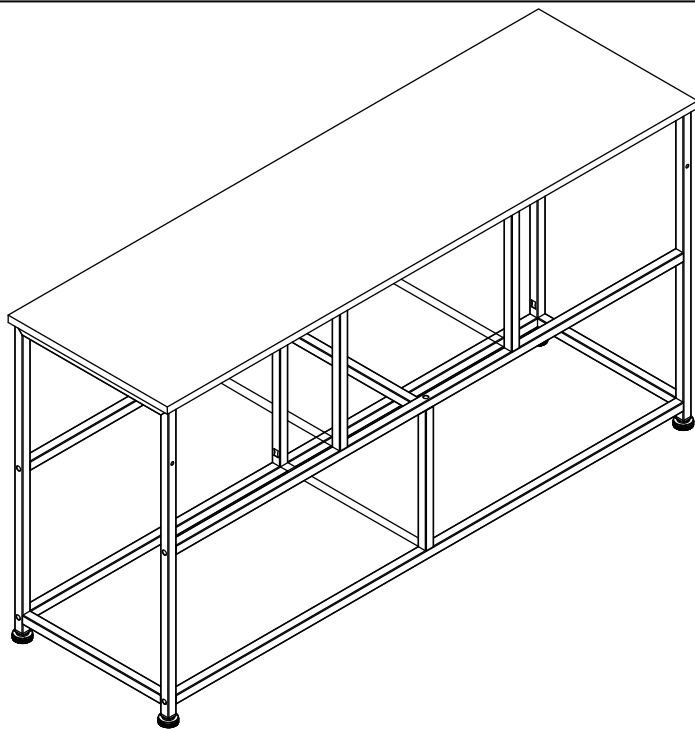


Tighten the screws to 50%.

# Step 5



# Step 6

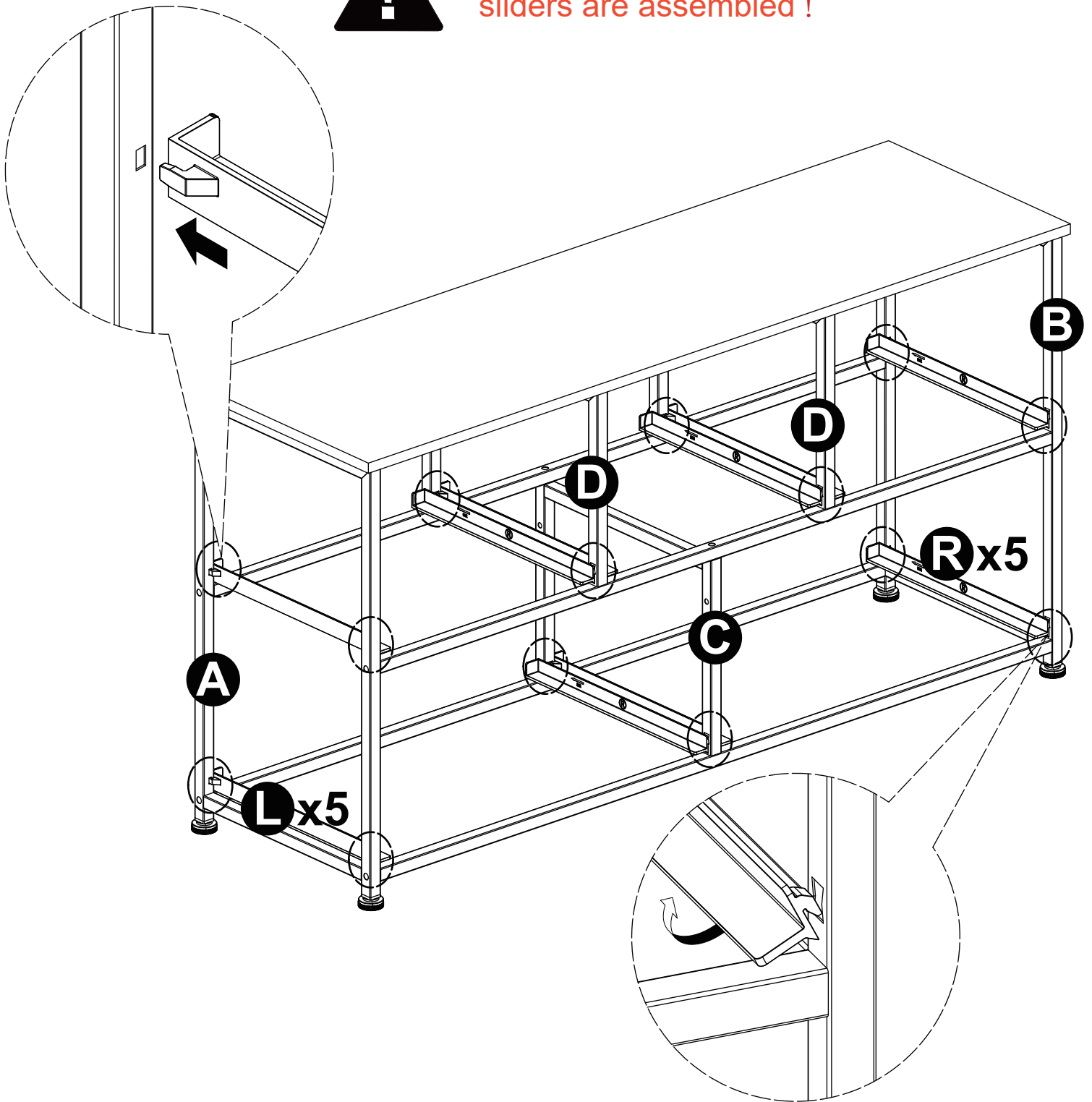


Turn it over.

# Step 7

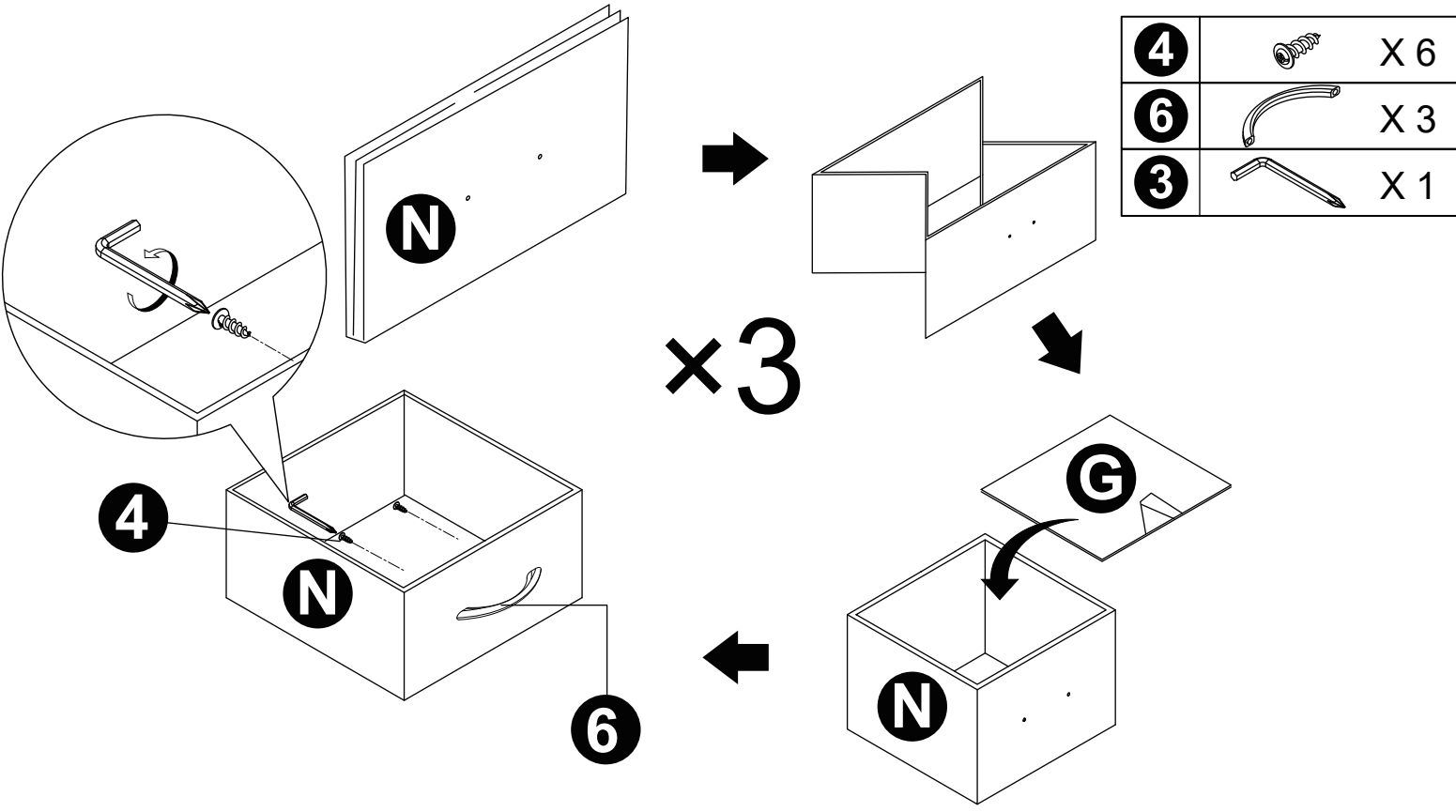


Tighten screws AFTER Drawer sliders are assembled !

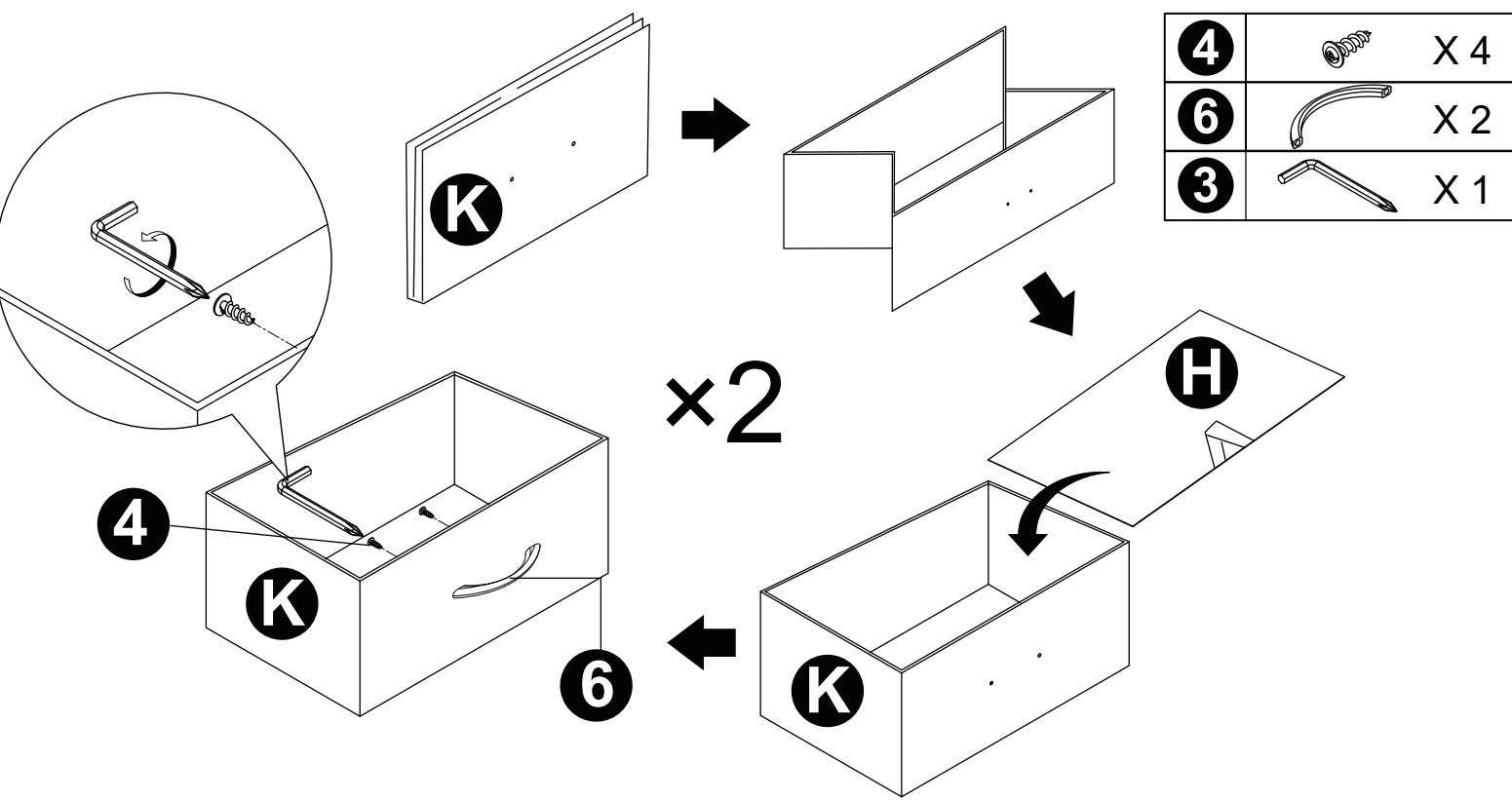


Assemble the Left Drawer Slides(L)\*5 and Right Drawer Slides(R)\*5 to the frames(A&B&C&D).

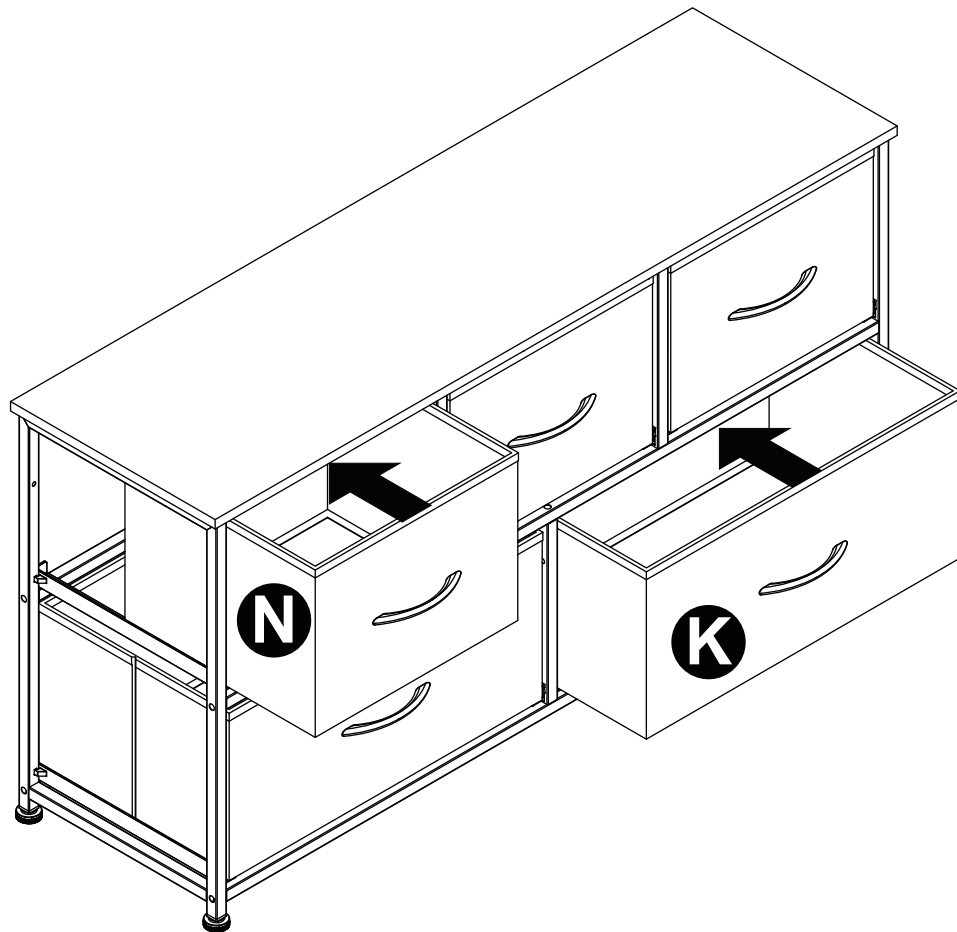
# Step 8



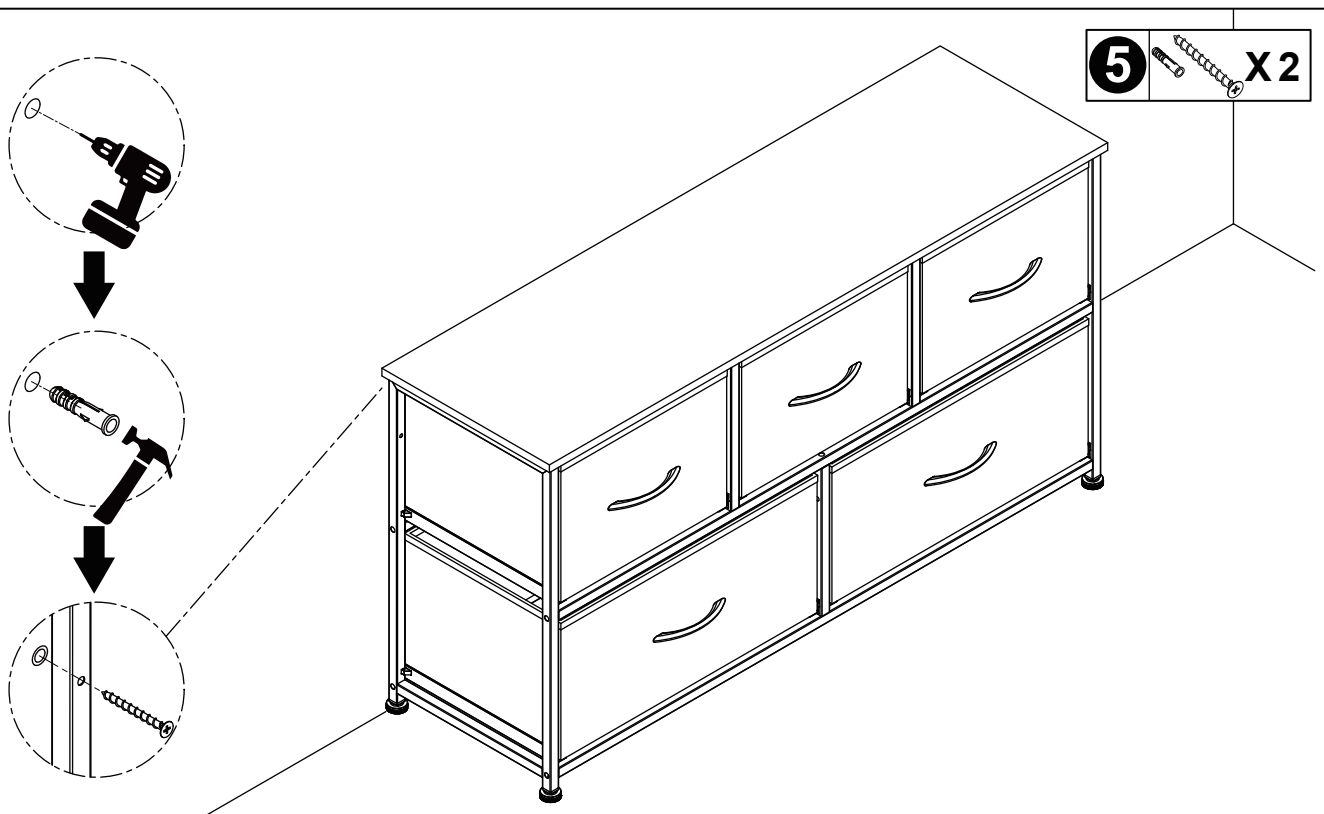
# Step 9



## Step 10



## Step 11



If you need to fix the Drawer Dresser to the wall, drill holes in the wall with an electric drill, then insert Expansion Tube(5)\*2 and fix the Drawer Dresser with Screws(5)\*2.



## Technical Support

(909)637-7665 | (909)637-7593

## Other Info

[HJ-Customer-Service@outlook.com](mailto:HJ-Customer-Service@outlook.com)

Thank you for choosing this product. We strive to provide you with the best quality products and service in the industry. Should you have any issues, please don't hesitate to contact us.