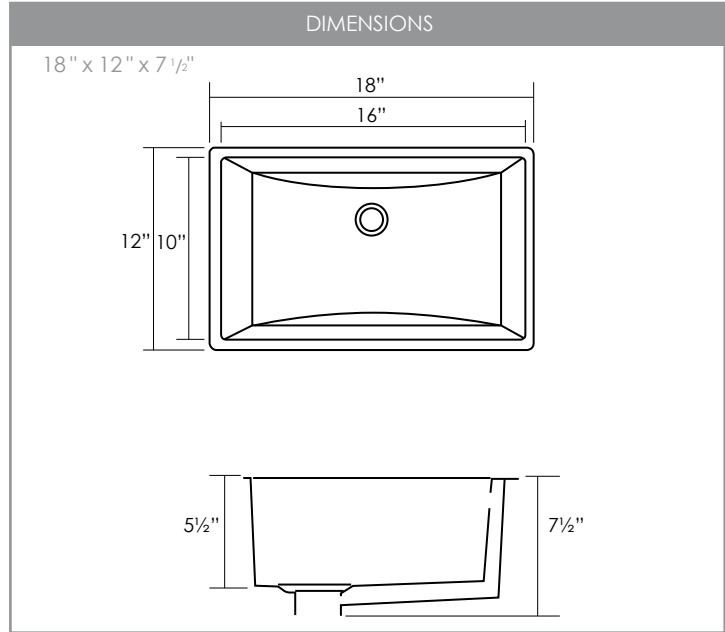




SLEEK P-205

PORCELAIN SINK
RECTANGULAR UNDERMOUNT BATHROOM SINK



INCLUDED ACCESSORIES

H-03 H-04
2 OVERFLOW RINGS

RECOMMENDED ACCESSORIES

D-700C D-700N D-701C D-701N
POP-UP DRAINS WITH OVERFLOW

COLOUR

PURE GLOSSY
WHITE

SINK DEPTH

5 1/2"
SINGLE
BOWL

INSTALLATION OPTIONS

UNDERMOUNT

MATERIAL

Our porcelain sinks are made from mixture of clay and other minerals, that is triple-glazed and triple-fire at about 2,000 °F. The result is a glossy porcelain surface known as vitreous china, which is denser, glossier and more durable than regular porcelain.

VITREOUS
CHINA

PRODUCT DIMENSIONS

Overall Dimensions	18" x 12" x 7 1/2"
Internal Dimensions	16" x 10" x 5 1/2"
Drain Opening Size	1 3/4"

SINK SHAPE	DRAIN HOLE SIZE
RECTANGULAR	STANDARD SIZE

CABINET SIZE

19"

MINIMUM
INTERNAL SIZE

SMOOTH SURFACE

We control the glaze thickness from 1.2-1.3 mm to achieve a smooth and easy to clean surface and eliminate water absorption.

WARRANTY

This product is covered by a limited lifetime warranty. Consult our website for complete details.

PRODUCT CARE

Clean your sink every day to prevent a buildup of soap scum, grease and dirt. Use a wet sponge with liquid dishwashing. Scrub the sink's surface using a soft non-abrasive cloth or sponge. Wipe the sink dry with a dish towel or other soft cloth to eliminate water stains. For deep clean cover the sink with paper or cloth towels and pour undiluted bleach. Be sure the area is well ventilated and let the bleach-saturated towels sit for 15 to 30 minutes. Rinse thoroughly with water and wipe dry with a dish towel or other soft cloth.

STANDARDS COMPLIANCE

cUPC certified

Products and specifications shown are subject to change without notice. Please contact our technical support at care@stylishkb.com for any further queries, replacement parts requests, etc. ©2021 Stylish® all right reserved.