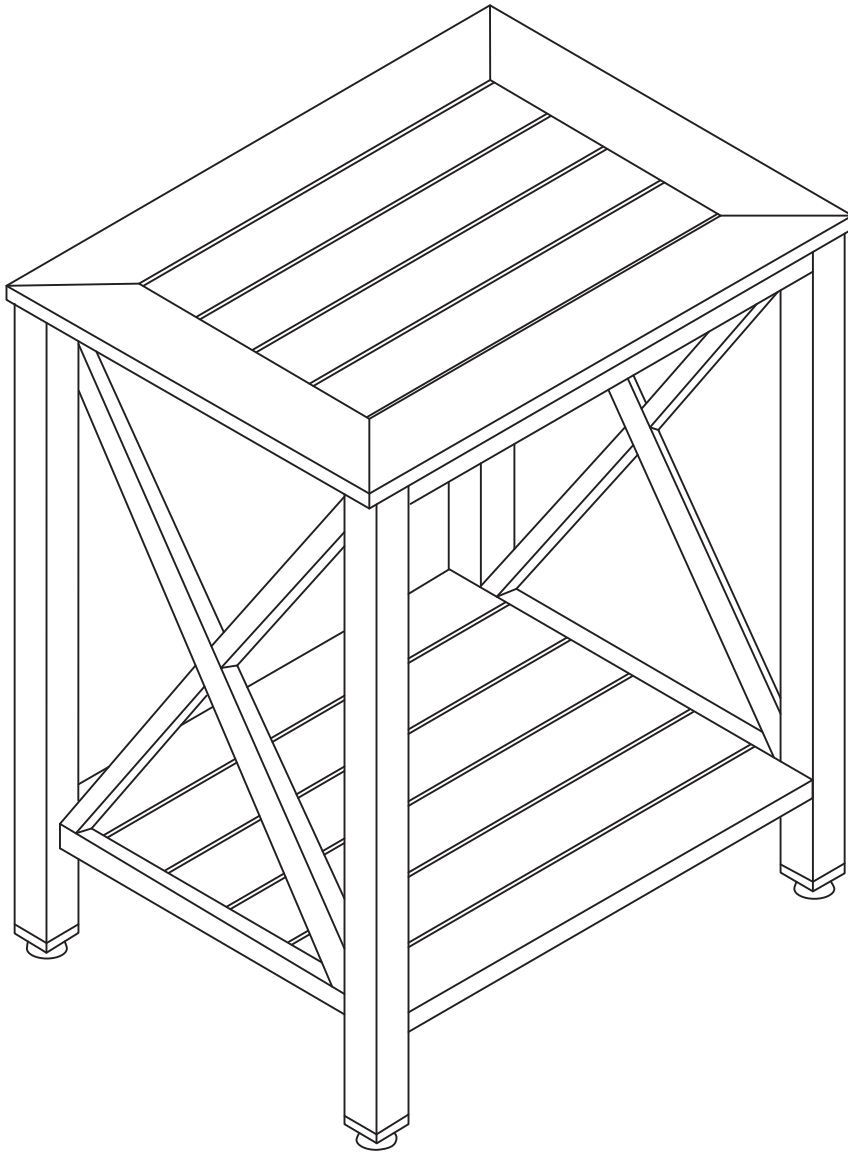
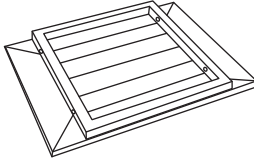
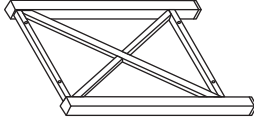
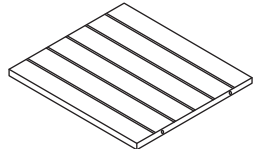
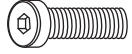




FARMHOUSE STYLE SHOWER BENCH WITH SHELF TF-828

Read assembly instructions carefully and follow the care instructions. Save this document for future reference.
Assemble components on a soft, clean surface to avoid scratching or damaging the finish.



Inspect packaging to ensure all parts are accounted for before disposing of packing materials.

No.	PARTS	QTY.
A	 Top Shelf	1
B	 Side Panel (L,R)	2
C	 Bottom Shelf	1
X	 M6x35mm Bolt	8
Y	 Washer	8
Z	 Hex Key	1

NOTE: Over time, and with use, the bolts may become loose. Save the included tools for tightening loosened hardware.

WARNING

CHOKING HAZARD — This item contains small parts that can be swallowed. Keep children and pets away during assembly.

WARNING:

Manufacturer and seller expressly disclaim any and all liability from personal injury, property damage or loss, whether direct or indirect, or incidental, resulting from the incorrect attachment, improper use, inadequate maintenance, or neglect of this product.

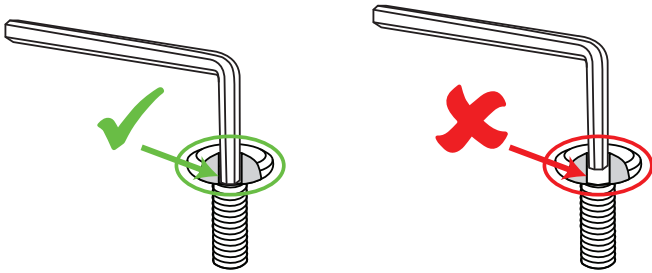
ASSEMBLY

Review all steps and understand assembly before beginning.

Do not fully tighten hardware until all components have been loosely assembled.

If bolts are tightened too soon, mounting holes may not align, and parts may not easily fit together.

TIP: Always fully insert the hex key inside the designated notch of the bolt.



If the hex key is not fully inside the notch, the hex key could slip out, causing damage to the bolt head. Repeated hex key slipping will cause the notch to become rounded, making it difficult or impossible to tighten the bolt with the hex key.

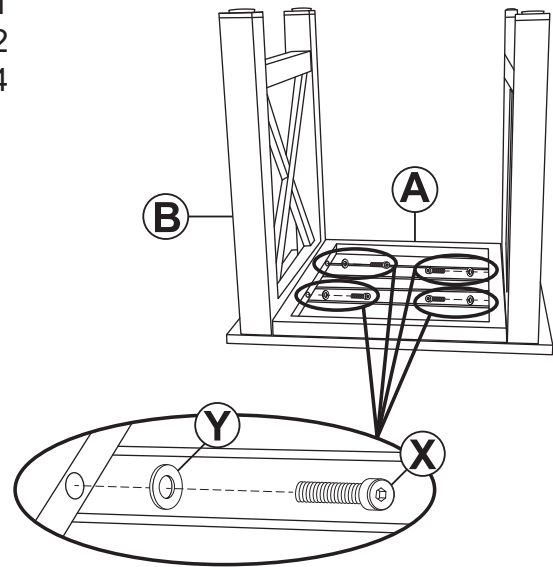
STEP 1

TIP: Assemble components on a clean, soft surface to avoid damaging surfaces.

A: 1

B: 2

X: 4



- Lay Top Shelf (A) upside down on a soft, clean surface.
- Align the mounting holes on the top of one Leg (B) with Top Shelf (A) and loosely fasten using two M6x35mm Bolts (X).
- Repeat to loosely fasten the remaining leg.

Do not fully tighten the bolts.

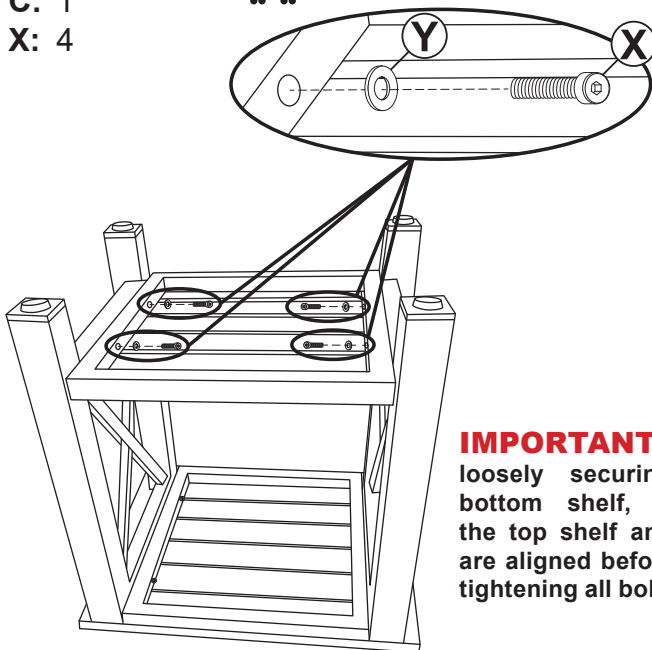
STEP 2



Assistance is recommended for this step.

C: 1

X: 4

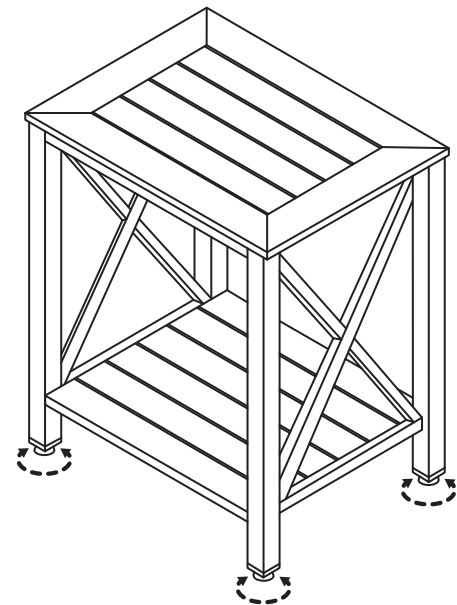


IMPORTANT: After loosely securing the bottom shelf, ensure the top shelf and legs are aligned before fully tightening all bolts.

- Align Bottom Shelf (C) with the mounting holes on the bottom of the legs and loosely secure using four M6x35mm Bolts (X).

Fully tighten all hardware after this step is complete.

STEP 3



- Before use, ensure the bench is level with the floor. Turn the threaded feet until balance is achieved.

NOTE: The threaded feet are only effective on slightly uneven surfaces.

Care & Maintenance

SAFE USE: Follow all safety statements and warnings. For residential use only. Ensure the stool is level before use. Do not stand on the stool. Do not exceed the weight capacity of the stool.

INSPECT: Before use, ensure the unit is assembled correctly, and all hardware is securely tightened. Do not use this product if parts are missing, broken, damaged, or worn out.

CLEAN: Mix a mild soap and water solution. Wipe surfaces with a soft, non-abrasive cloth. Rinse with clean water, ensuring all soap residue is removed. Do not use harsh chemicals or abrasive materials to clean.

SAFETY STATEMENTS & WARNINGS

- For indoor or outdoor use.
- Do not exceed the weight capacity.
- Never stand on the stool.
- Install all parts in accordance with the assembly instructions and inspect the chair for stability before use.
- Inspect hardware often and tighten loose hardware before use.
- Do not put hot items on or near furniture.
- Keep furniture a safe distance from heat sources such as, but not limited to, heat vents, space heaters, fireplaces, fire pits, patio heaters, candles, torches, and grills.
- Do not allow children to use this product without adult supervision.
- Do not use harsh chemicals or abrasive materials to clean the furniture.

Any modification to the product or failure to follow recommended care will void the product warranty.

If you experience issues with assembly or the product was damaged during shipping, please contact our customer service team through one of the methods mentioned at the top of page 1. Please have the item number and order information ready to expedite response time.

WARNING:

Manufacturer and seller expressly disclaim any and all liability from personal injury, property damage or loss, whether direct or indirect, or incidental, resulting from the incorrect attachment, improper use, inadequate maintenance, or neglect of this product.