

# HUTTON 60" DOUBLE SINK BASE CABINET



## BASE CABINET DIMENSIONS

60" W x 21.5" D x 18" H



## FEATURES

- Solid wood frame & plywood panels
- Dovetail drawers and joints
- Soft closing doors & drawers

## HARDWARE FINISHES\*



Brushed Nickel   Satin Brass   Matte Black   Polished Chrome

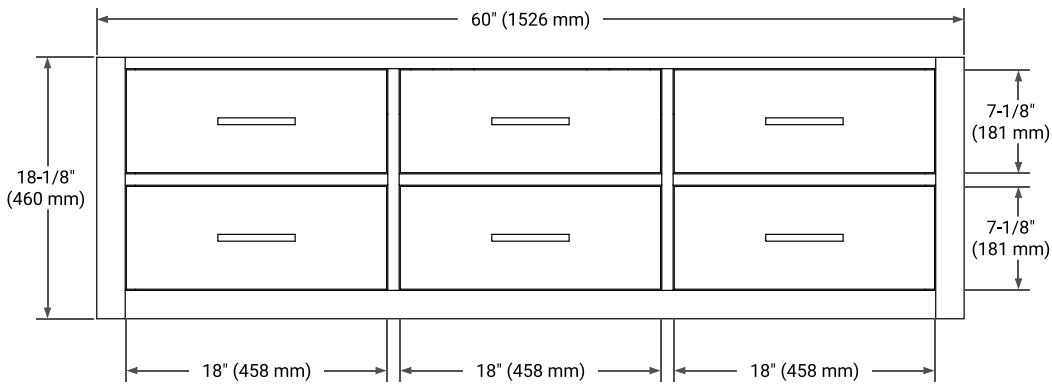
\* Hardware will come preinstalled. Other options are available in the store if you want a different finish.

## AVAILABLE COLORS

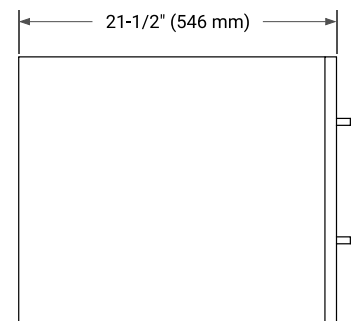


White   Grey   Midnight Blue

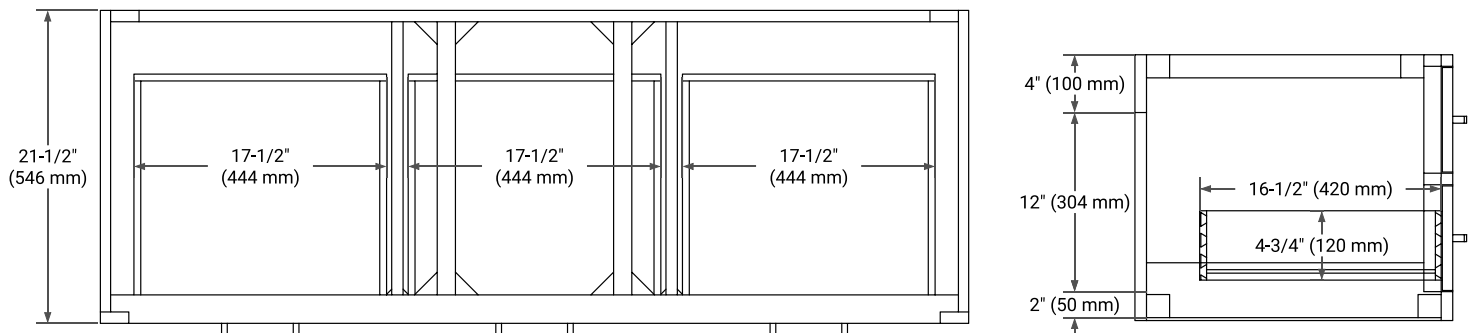
### FRONT VIEW



### SIDE VIEW



### PLAN VIEW



# 61" DOUBLE RECTANGLE SINK COUNTERTOP WITH 0.75 IN. THICKNESS

# ARIEL

## OVERALL DIMENSIONS

61" W x 22" D x 0.75" H

## COUNTERTOP OPTIONS



Carrara Marble

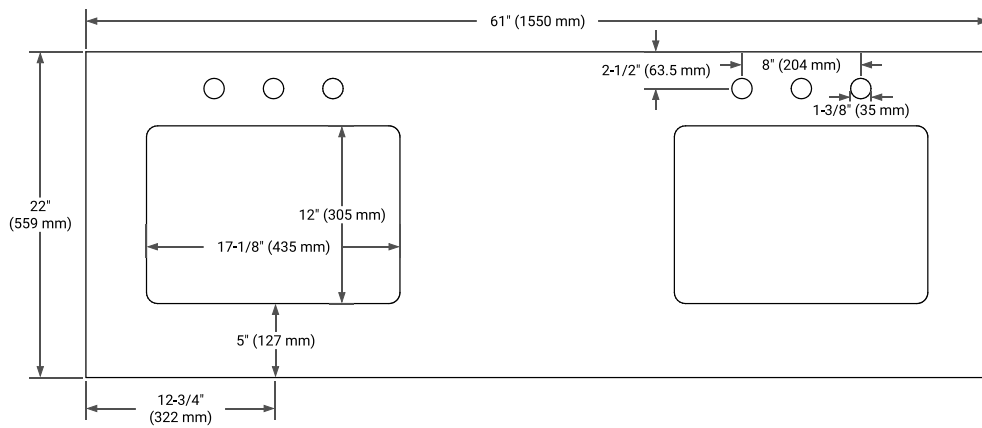
## FEATURES

- Solid countertop with mitered edges & seams
- Undermount white rectangular sink
- Pre-drilled for 8" widespread faucet

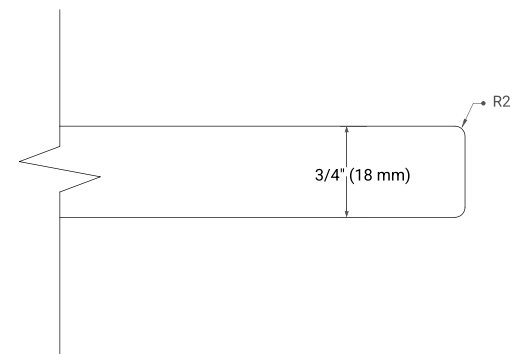
## INCLUDED

- Countertop
- Matching Backsplash
- Rectangle Sinks

## COUNTERTOP PLAN VIEW



## EDGE SIDE VIEW



## THREE DIMENSIONAL COUNTERTOP VIEW

