

INSTALLATION

Product Manual

Version: 020546US-01-25A-XD



IMPORTANT INFORMATION!

please read the entire manual before starting to assemble and/or using this product. follow the manual thoroughly and keep it for further reference.



AVOID SCRATCHES!

In order to avoid scratching this furniture should be assembled on a soft layer- could be a rug.



IMPROVE EFFICIENCY !

Try to find a partner to install with you, which can speed up the installation efficiency and shorten the time.



ANTI-TOPPLE WARNING !

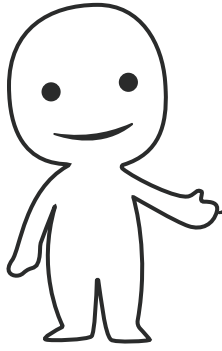
Overturnd furniture can cause serious or fatal crush injuries. To prevent tipping over, be sure to use the wall attachment, if not included with this product. Please purchase the wall attachment that fit your wall. If unsure, seek professional advice. Please read and follow each step of the instructions carefully.

IMPORTANT !

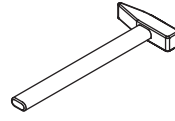
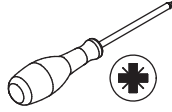
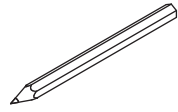
It is important that any product which is assembled using any kind of screw is re-tightened 2 weeks after assembly, and once every 3 months - in order to assure stability through-out the lifespan of the product.

For regular maintenance and cleaning of the product, for the frame, please use a rag dipped in neutral detergent to fully wipe it, and then dry it with a clean rag. For glass materials, wipe with a rag dampened with water glass cleaner, and then dry with a dry rag.

Do not use an electric screwdriver, and do not use too much force when installing, because the board is easy to break.

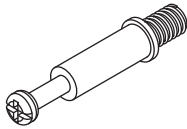


Please prepare the following tools



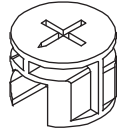
When installing, please carefully confirm whether each screw corresponds to the manual, accessories with similar shapes can be distinguished by size

A x 41+4



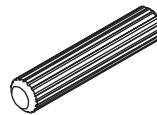
Ø 6 x 35 mm

B x 41+4



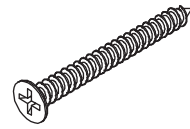
Ø 15 x 10 mm

C x 54+4



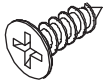
Ø 6 x 30 mm

D x 19+2



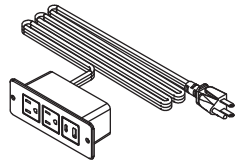
Ø 4 x 40 mm

E x 182+4

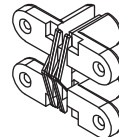


Ø 3.5 x 14 mm

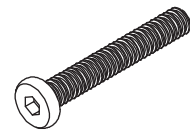
F x 1



G x 3



H x 12+1

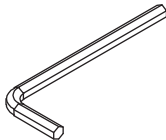


Ø 6 x 40 mm

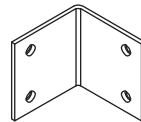
J x 12+1



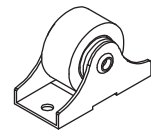
K x 1



L x 8



M x 8

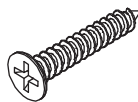


N x 6



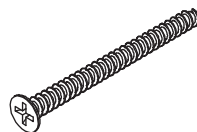
L = 450 mm

O x 45+4



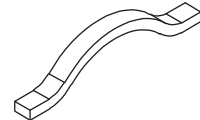
Ø 4 x 25 mm

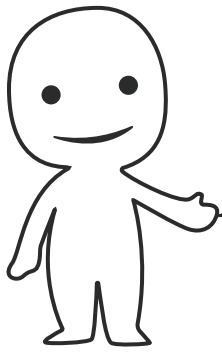
P x 3



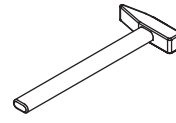
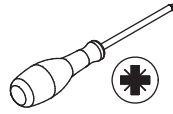
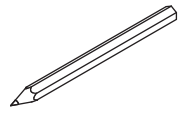
Ø 4 x 50 mm

Q x 7



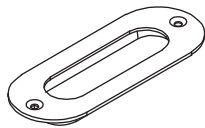


Please prepare the following tools

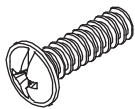


When installing, please carefully confirm whether each screw corresponds to the manual, accessories with similar shapes can be distinguished by size

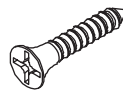
R x 1



S x 14+1

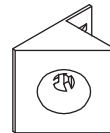


T x 34+3

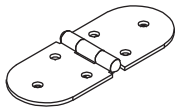


Ø3 x 16 mm

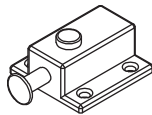
U x 34+3



V x 8



W x 2



X x 13+1

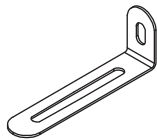


Y x 2

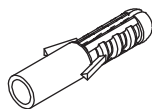


Ø4 x 12 mm

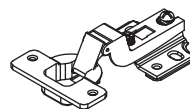
Z x 2



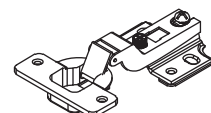
AS x 2

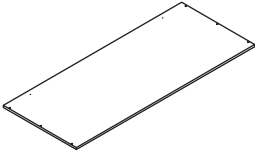
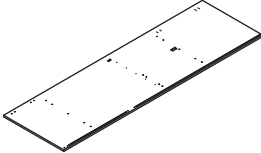
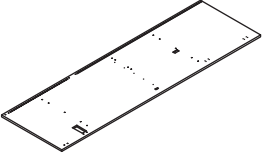
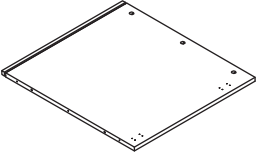
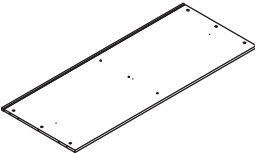

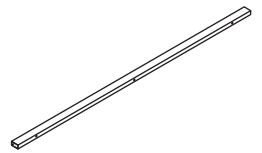
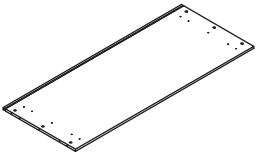
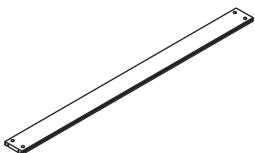
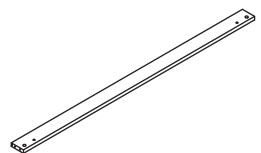
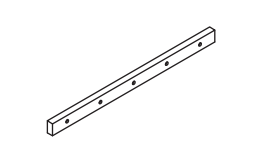
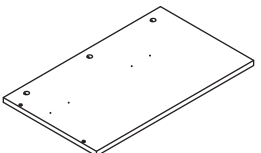
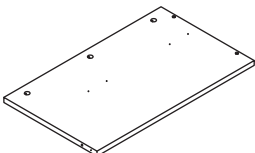
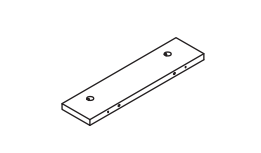
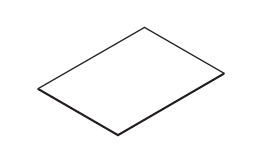
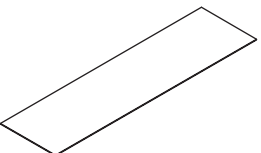
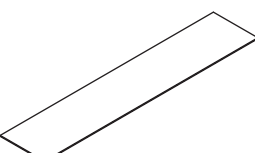
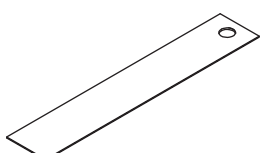
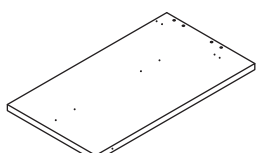
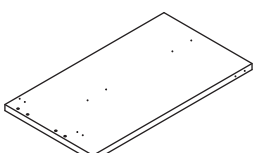


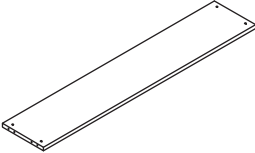
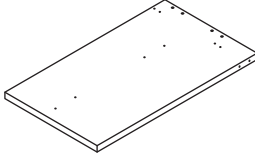
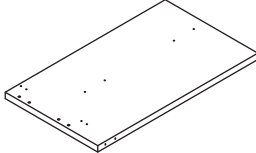
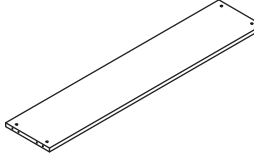
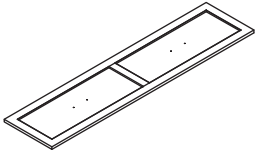
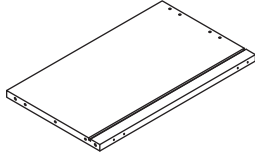
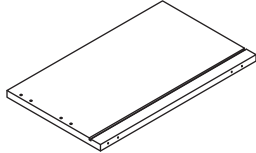
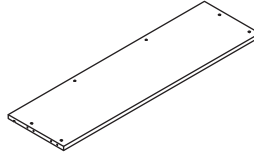
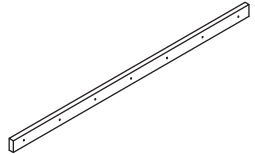
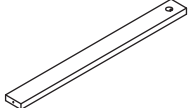
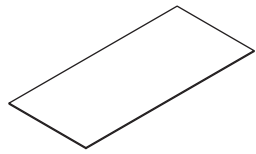
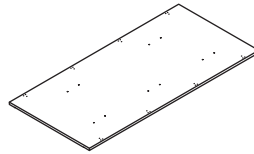
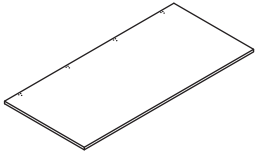
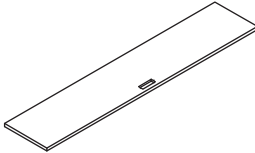
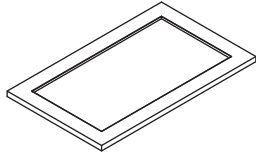
BS x 4

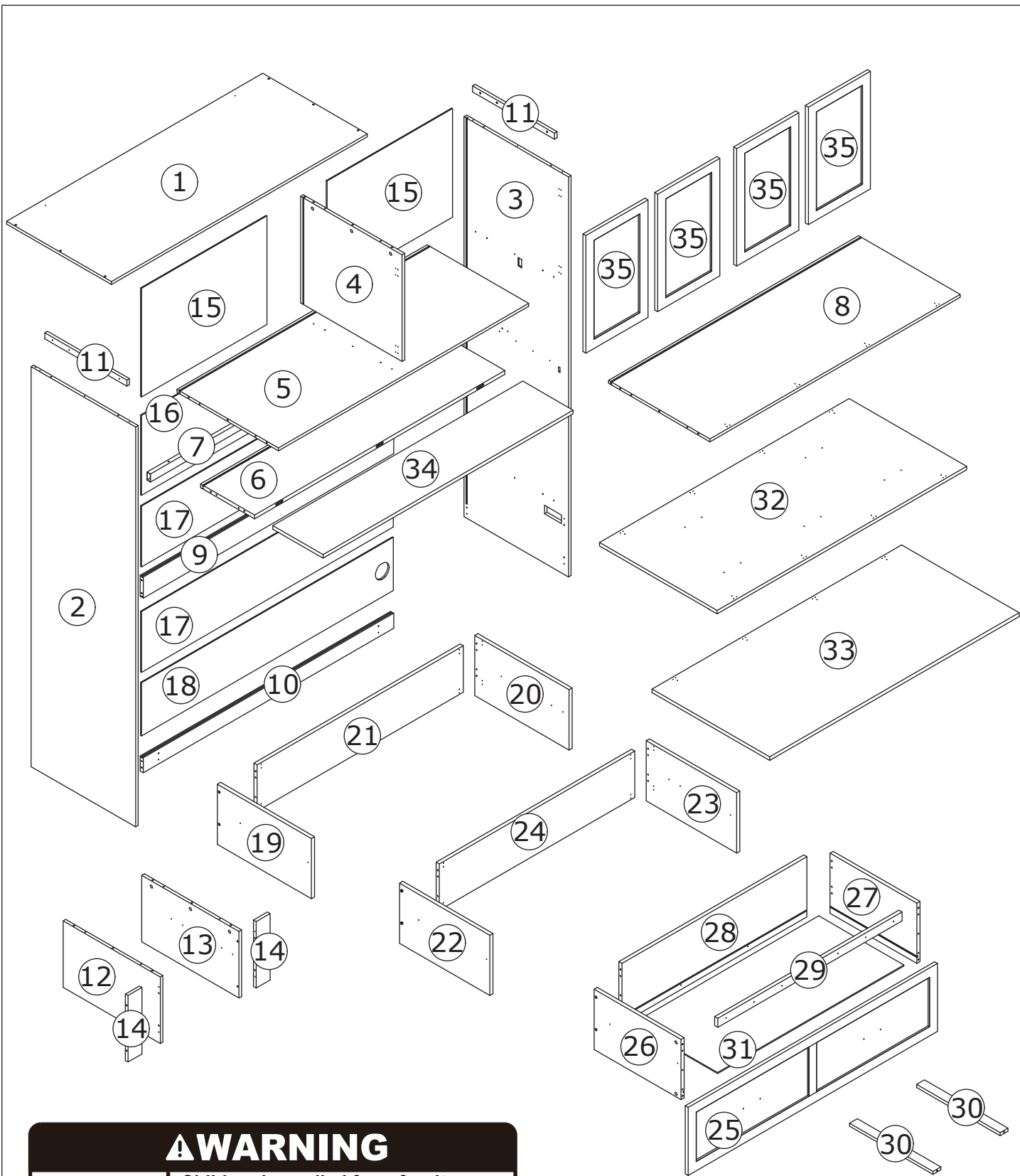


CS x 4



<p>① x2</p> 	<p>② x2</p> 	<p>③ x2</p> 	<p>④ x2</p> 
<p>⑤ x2</p> 	<p>⑥ x2</p> 	<p>⑦ x2</p> 	<p>⑧ x2</p> 
<p>⑨ x2</p> 	<p>⑩ x2</p> 	<p>⑪ x2</p> 	<p>⑫ x2</p> 
<p>⑬ x2</p> 	<p>⑭ x2</p> 	<p>⑮ x2</p> 	<p>⑯ x2</p> 
<p>⑰ x2</p> 	<p>⑱ x2</p> 	<p>⑲ x2</p> 	<p>⑳ x2</p> 

<p>21 x2</p> 	<p>22 x2</p> 	<p>23 x2</p> 	<p>24 x2</p> 
<p>25 x2</p> 	<p>26 x2</p> 	<p>27 x2</p> 	<p>28 x2</p> 
<p>29 x2</p> 	<p>30 x2</p> 	<p>31 x2</p> 	<p>32 x2</p> 
<p>33 x2</p> 	<p>34 x2</p> 	<p>35 x2</p> 	



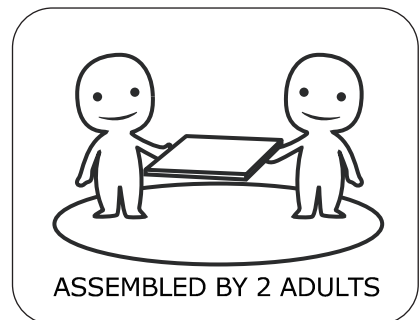
⚠ WARNING

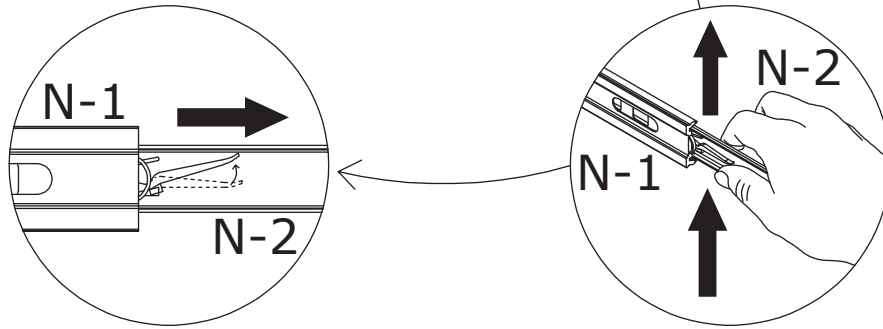
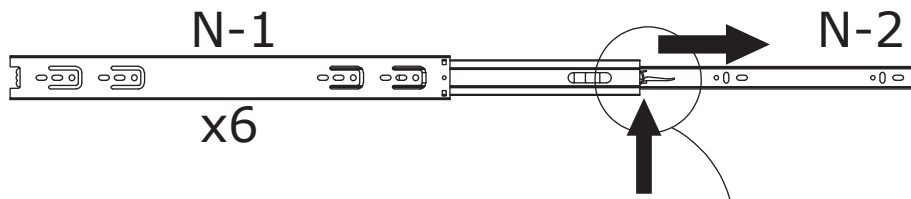
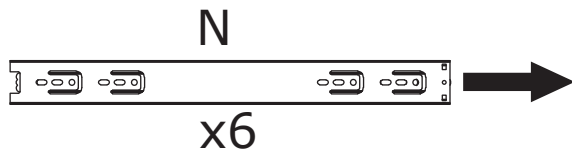


Children have died from furniture tipover. To reduce the risk of furniture tipover:

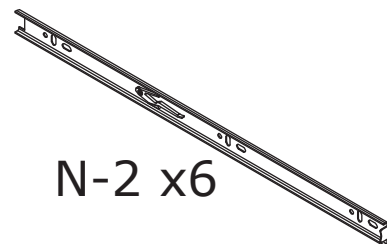
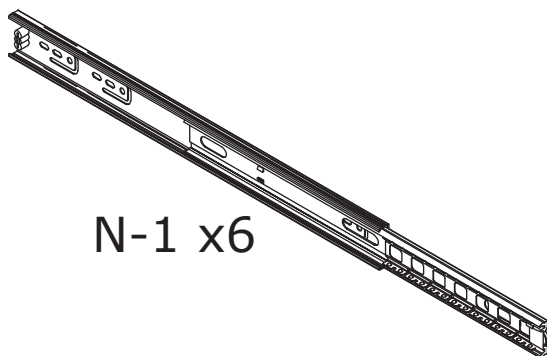
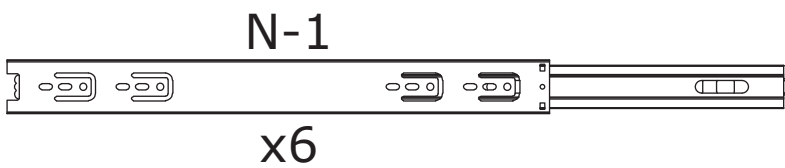
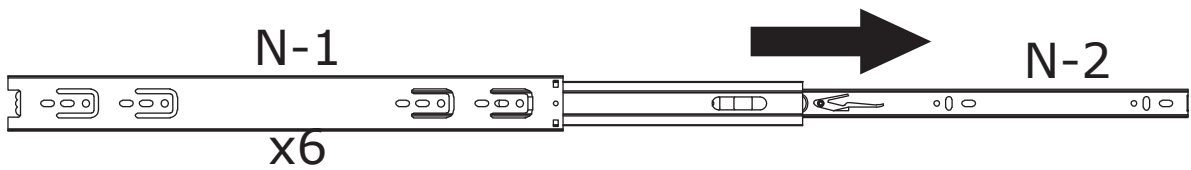
- ALWAYS install Anti-tip device provided.
- NEVER put a TV on this product.
- NEVER allow children to stand, climb or hang on drawers, doors, or shelves.
- NEVER open more than one drawer at a time.
- Place heaviest items in the lowest drawers.

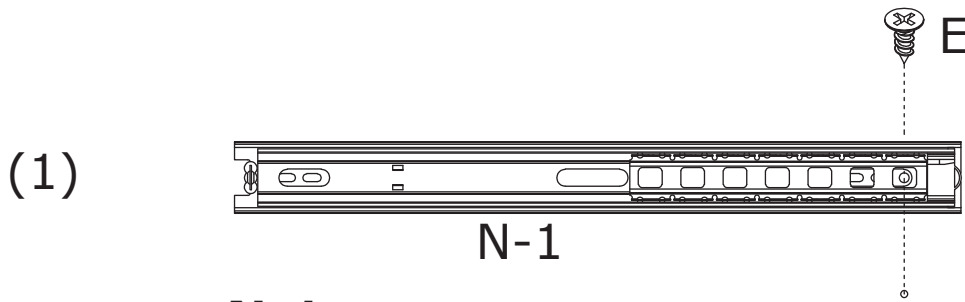
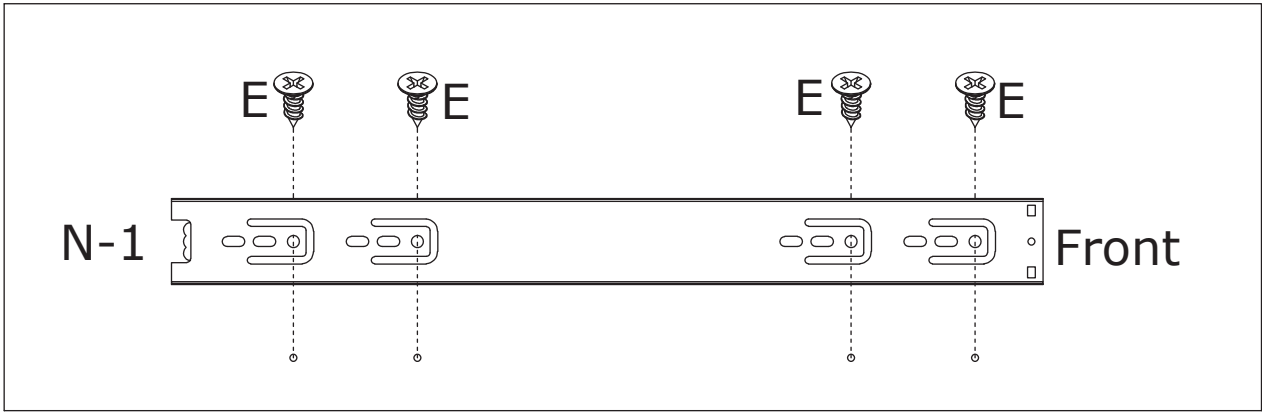
*This is a permanent label.
Do not remove!*





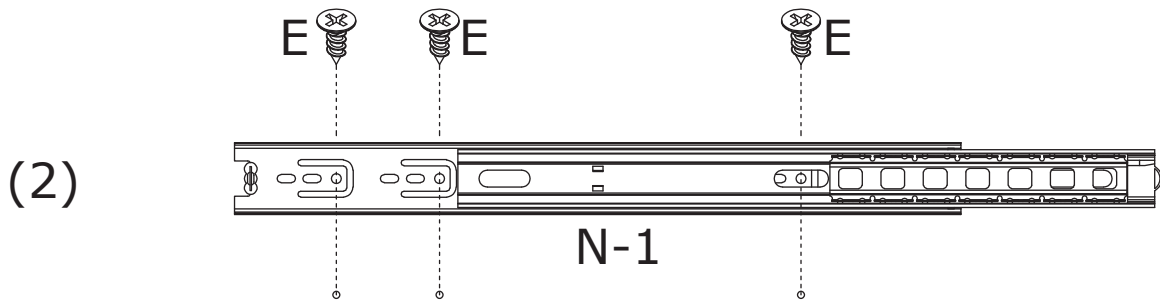
Move the black paddle upward and pull out (P-2) to the right.





N-1

Refer to the figure above
lock the first hole.



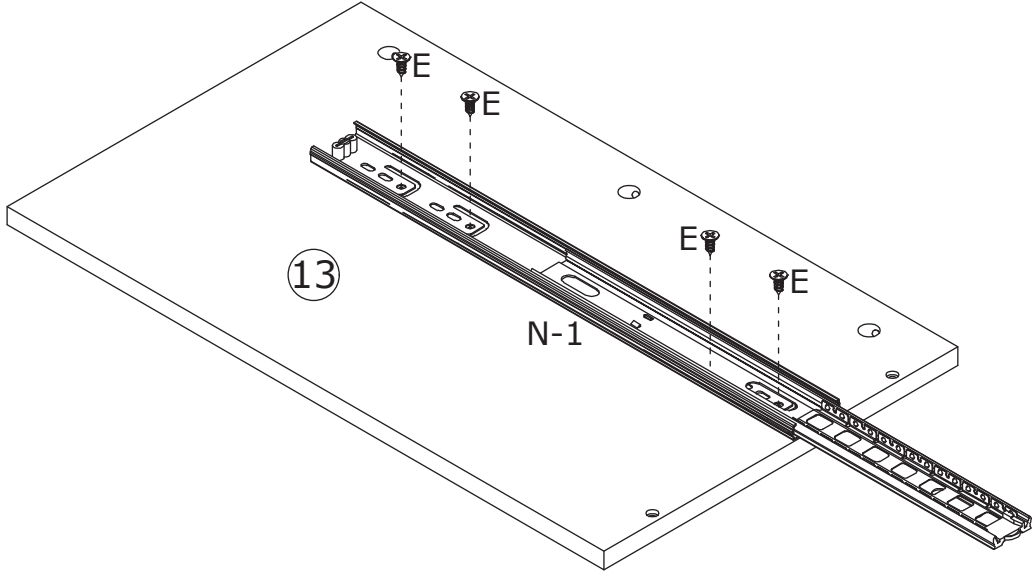
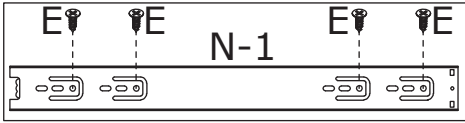
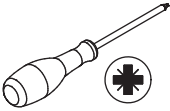
N-1

Refer to the figure above,lock the
fourth,seventh and tenth holes.

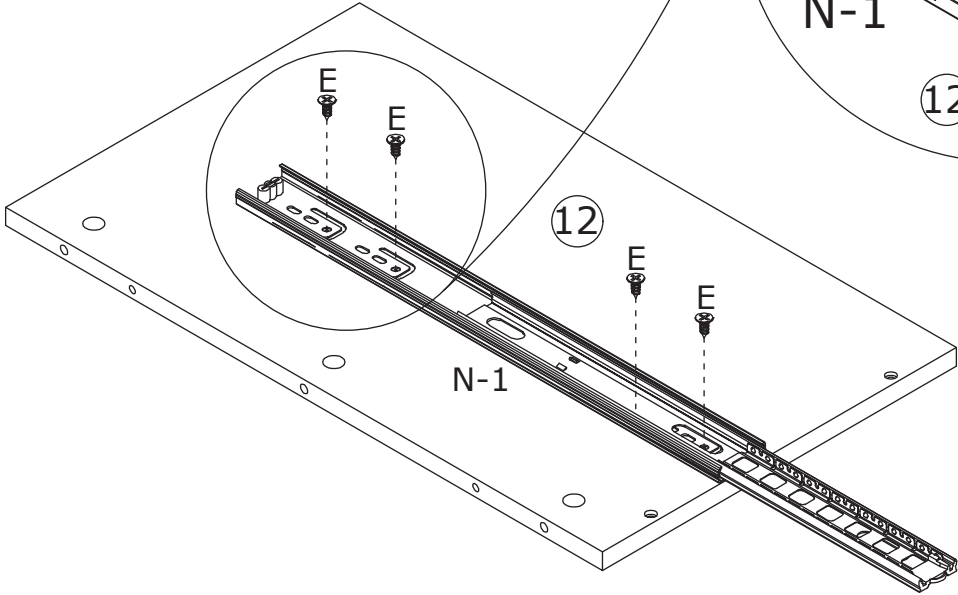
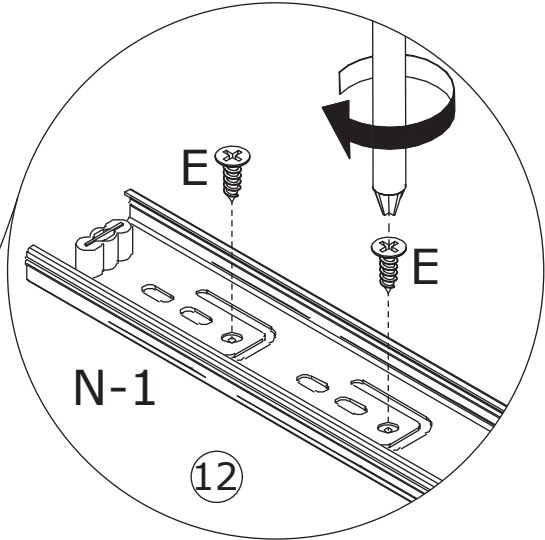
1

E x 8
Ø 3.5 x 14 mm

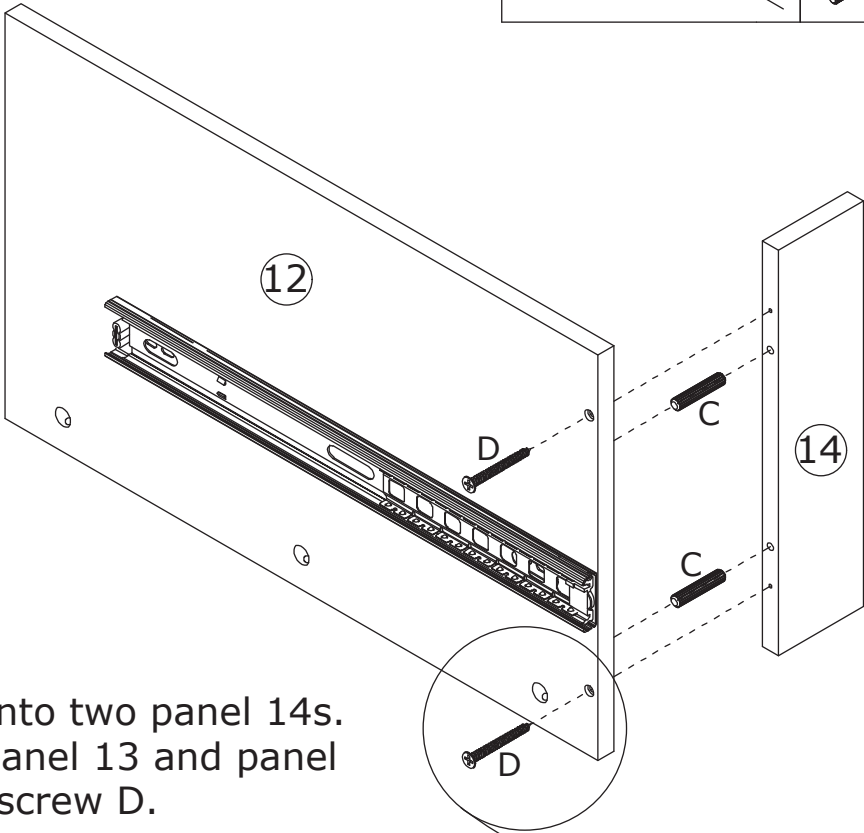
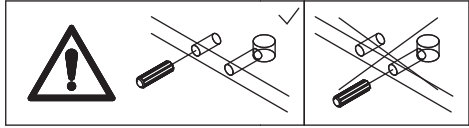
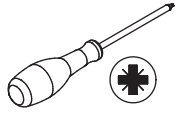
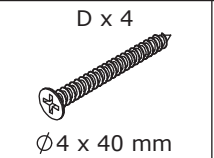
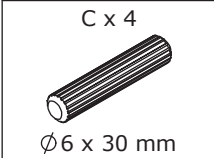
N x 2
N-1
L = 450 mm



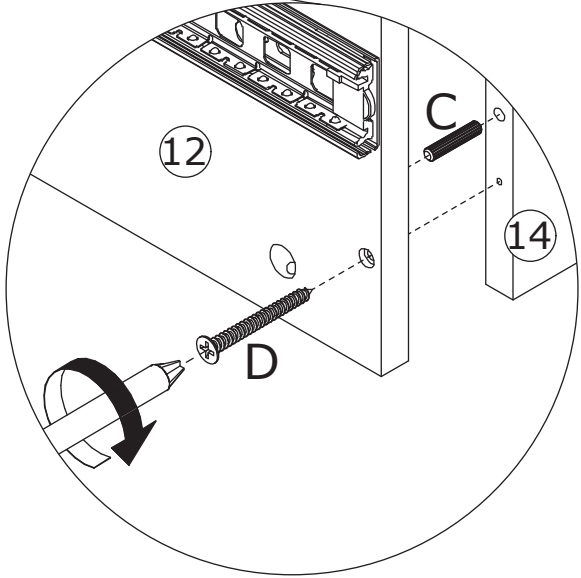
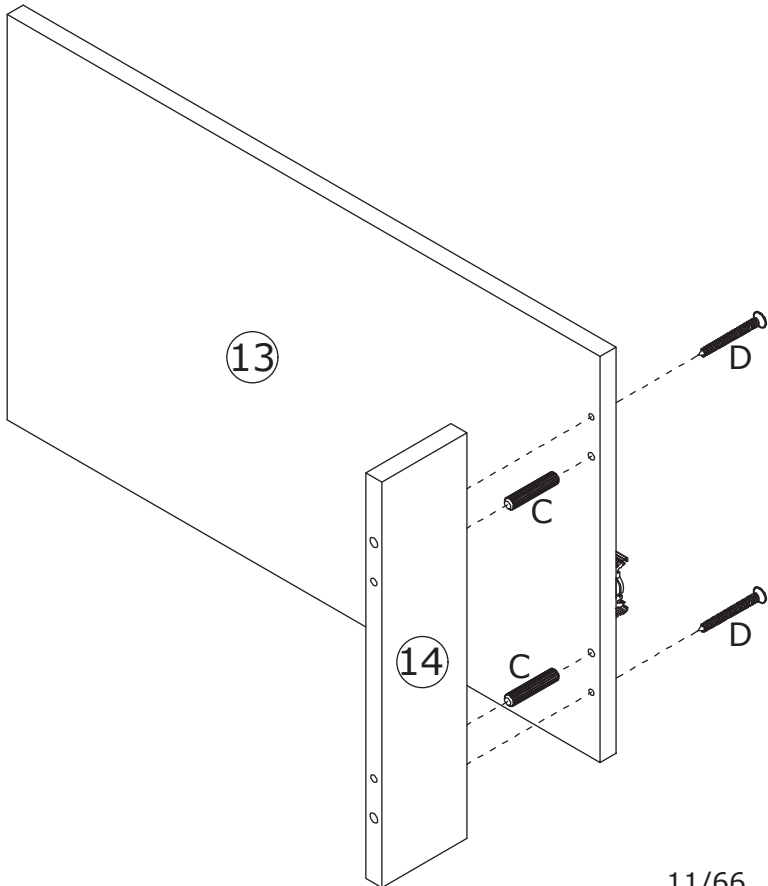
Secure rail N-1 to panels 12 and 13 using screw E.



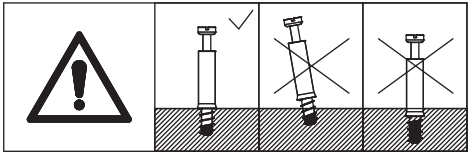
2



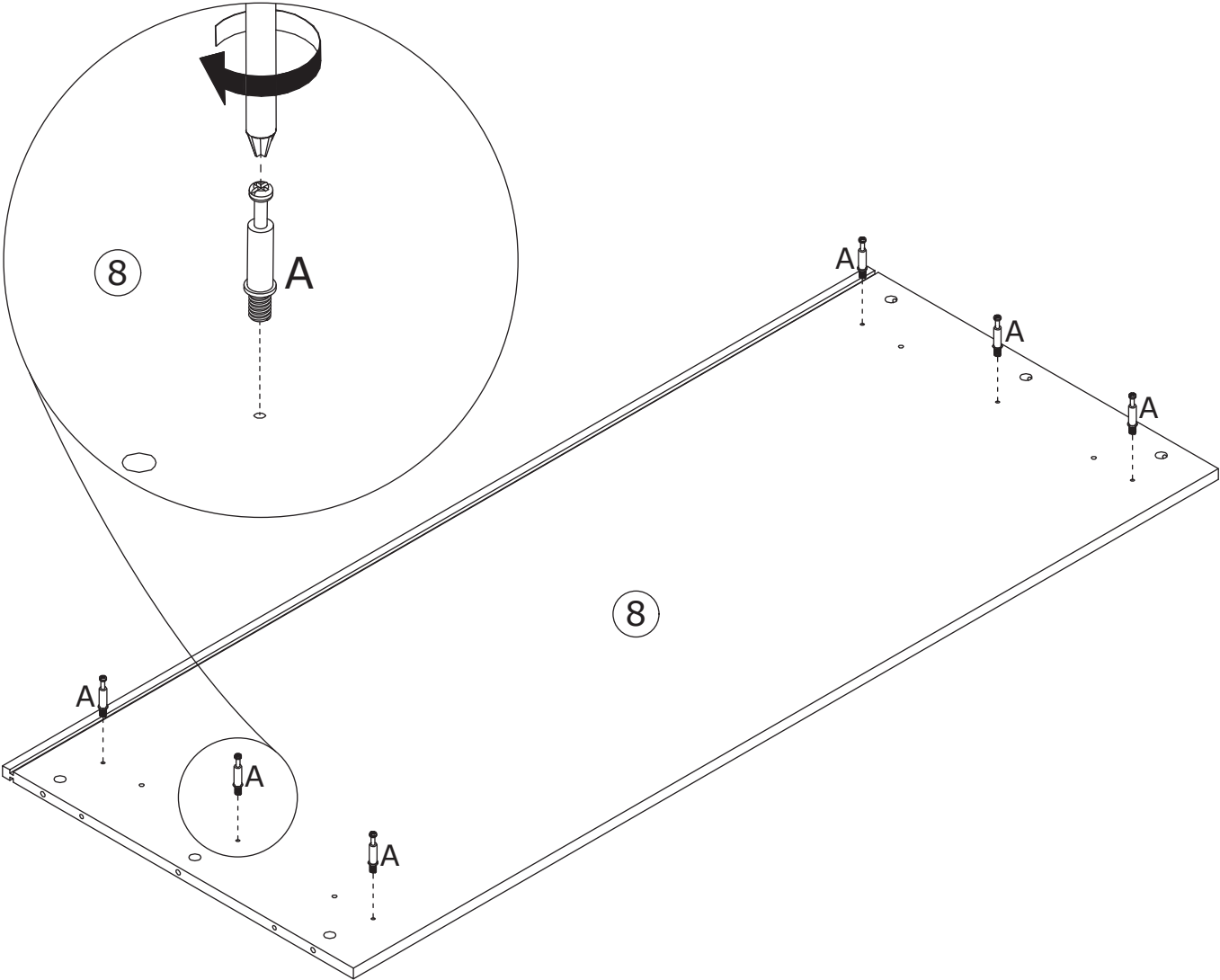
Insert wood dowel C into two panel 14s.
Connect panel 14 to panel 13 and panel 12, then tighten with screw D.



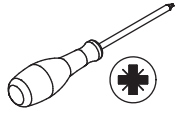
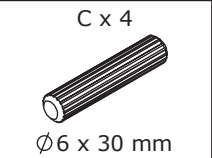
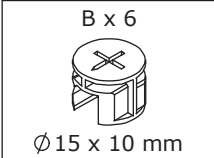
3



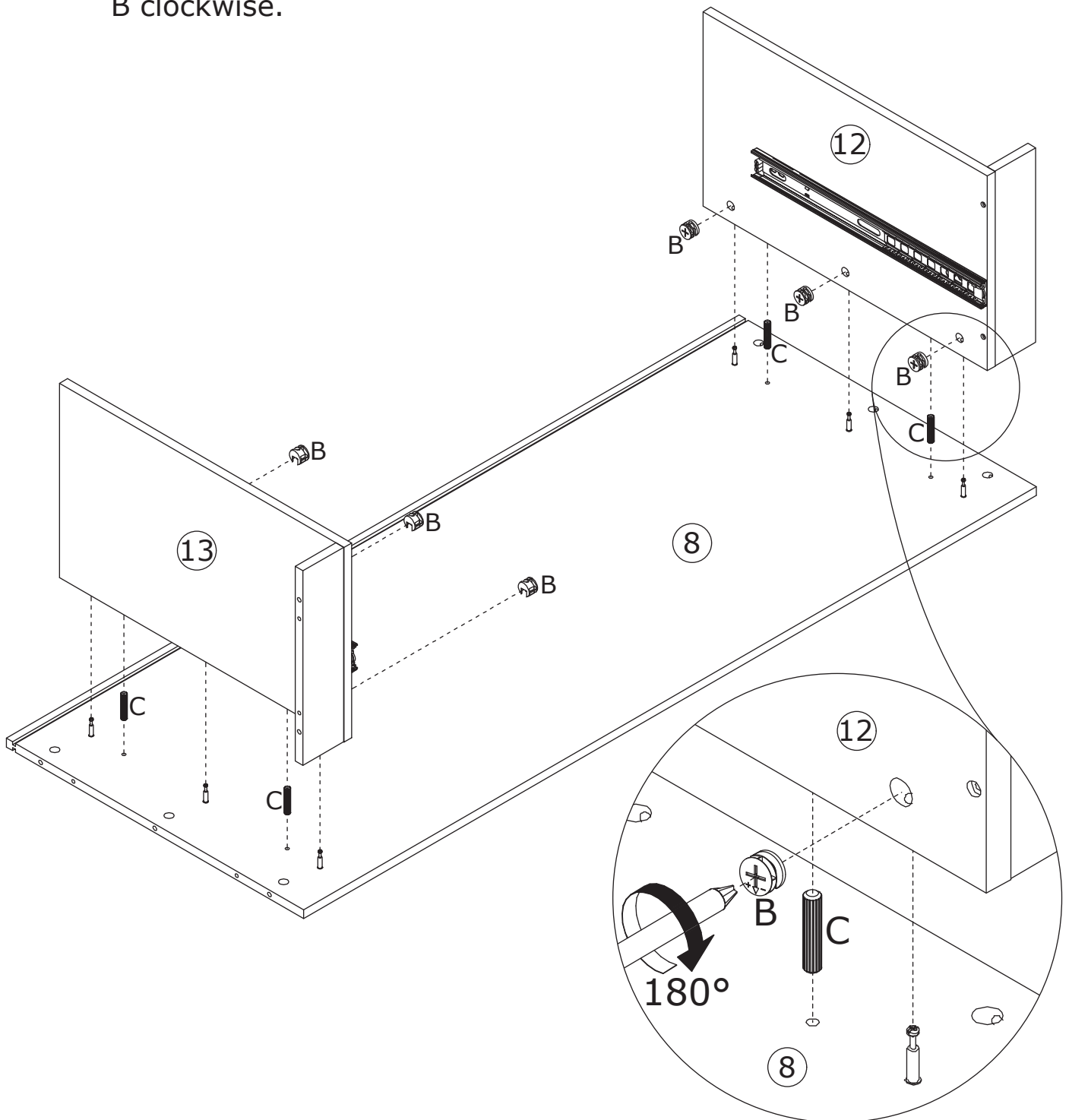
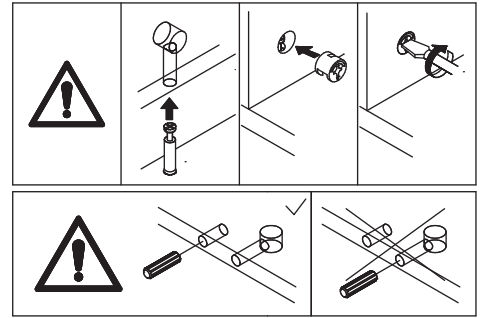
Screw eccentric rod A into panel 8.



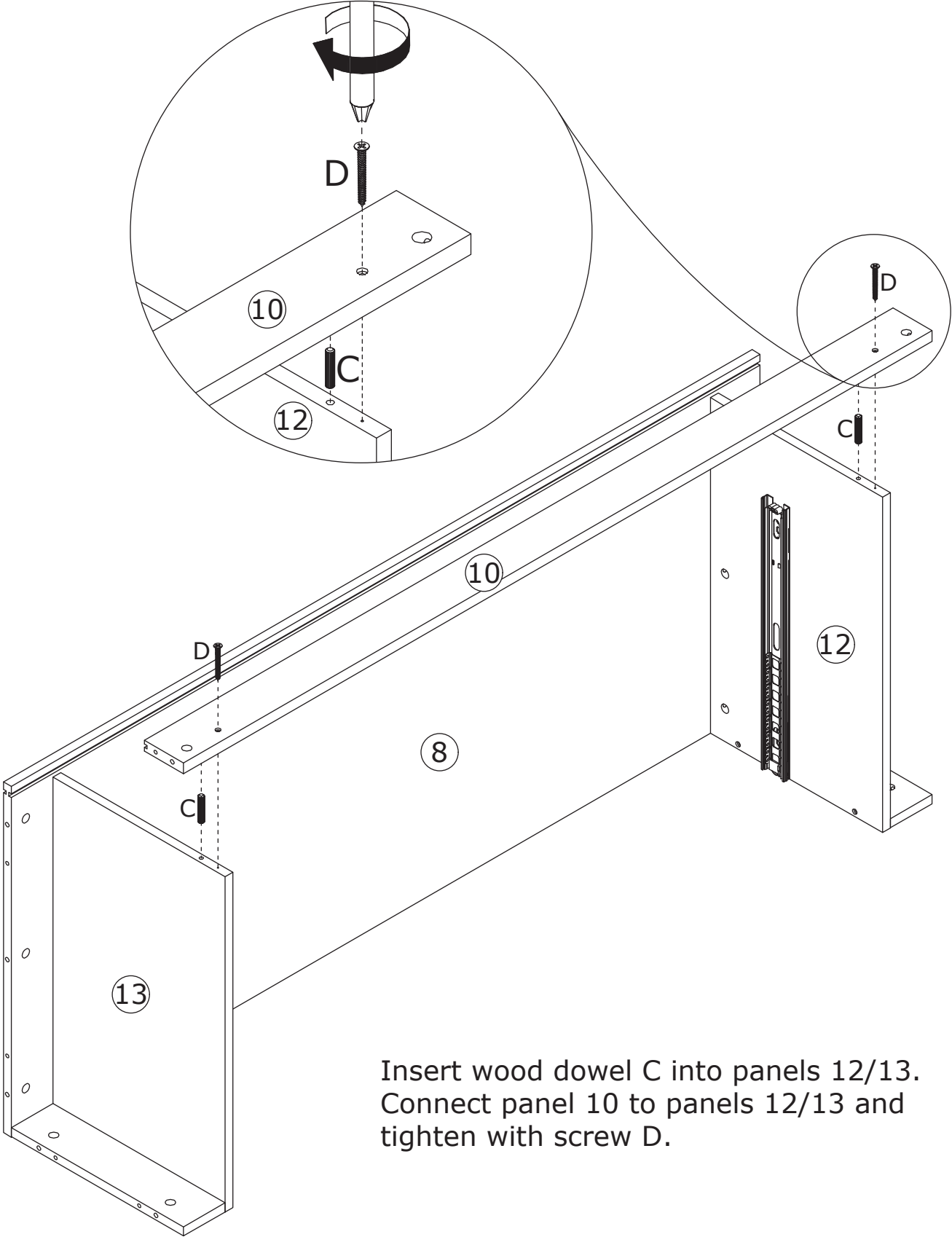
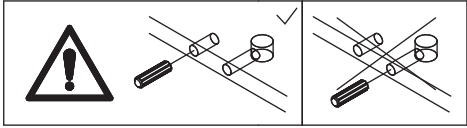
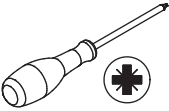
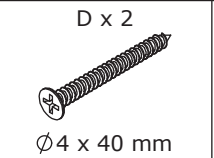
4



Insert wood dowel C into panel 8.
Connect panels 12/13 to panel 8
and lock by rotating eccentric wheel
B clockwise.

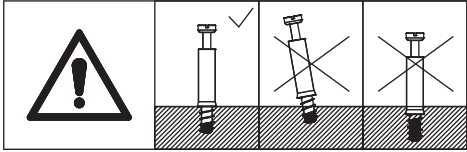
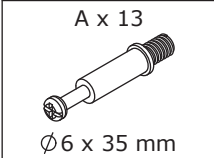


5

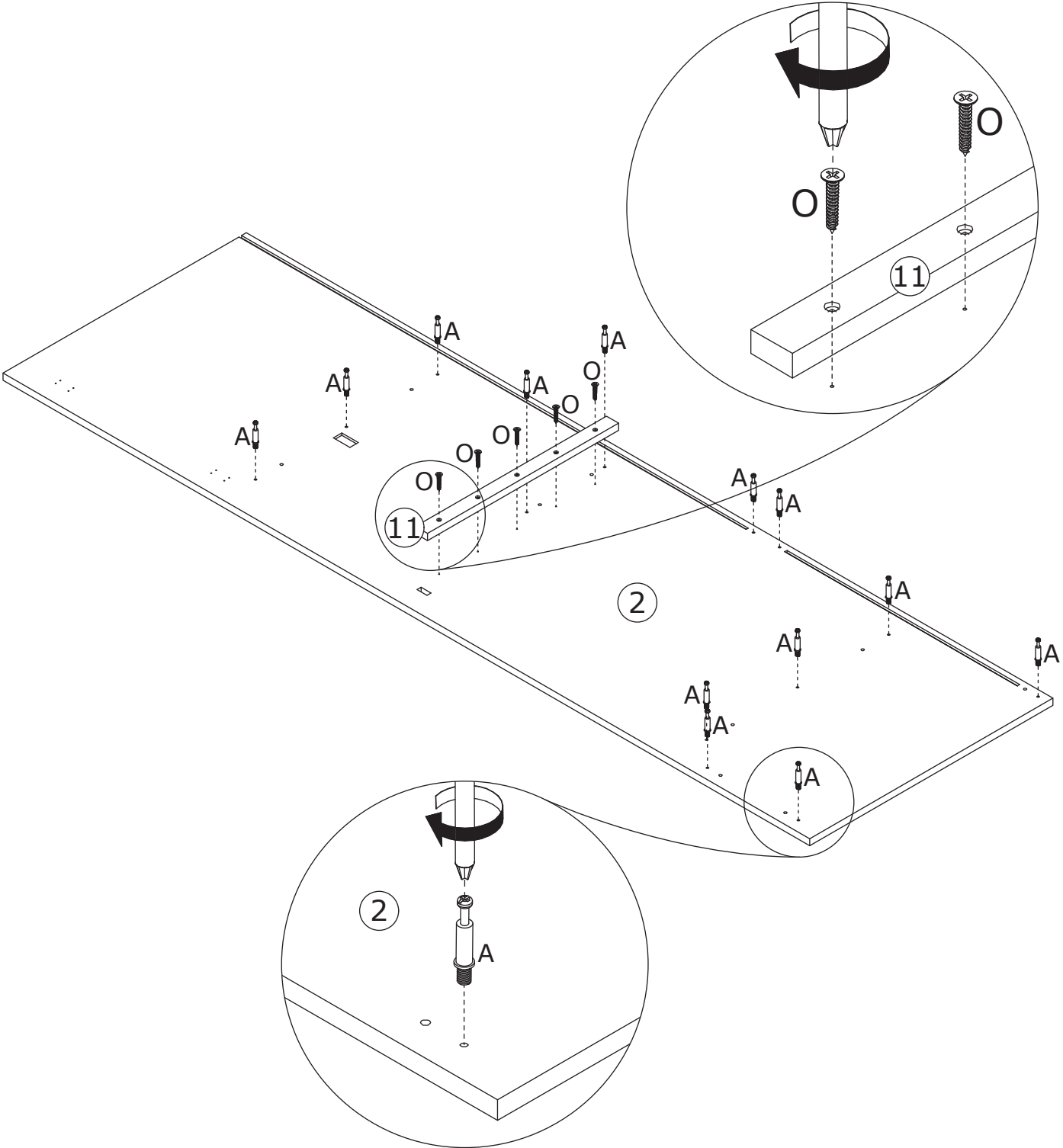


Insert wood dowel C into panels 12/13.
Connect panel 10 to panels 12/13 and
tighten with screw D.

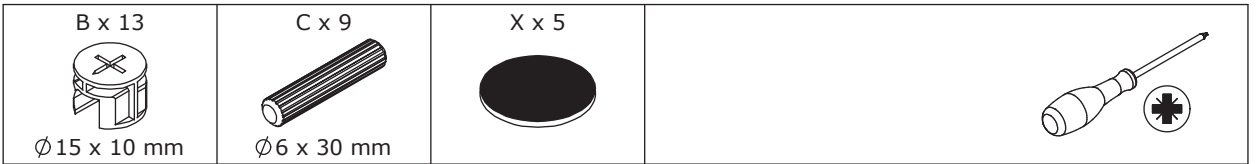
6



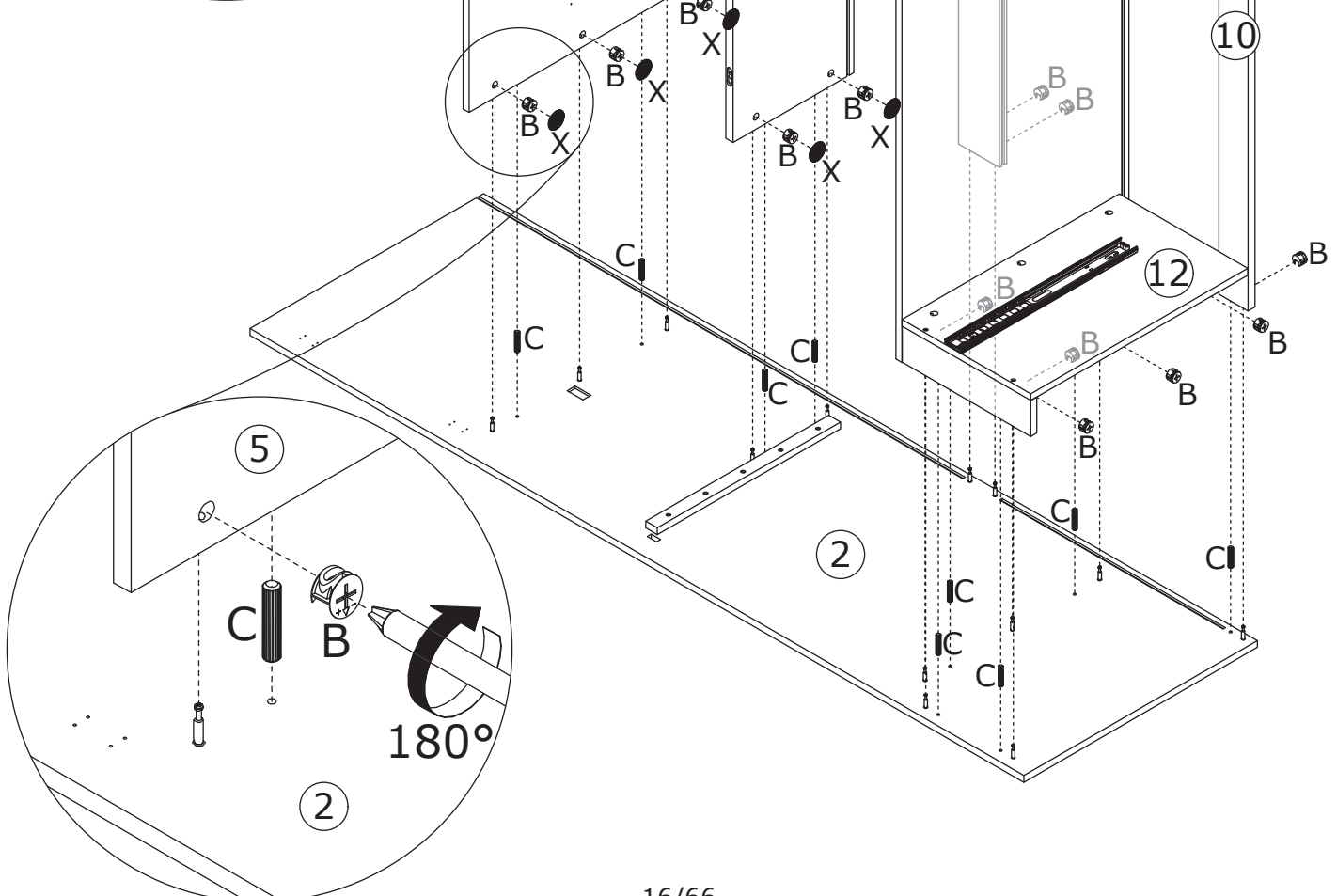
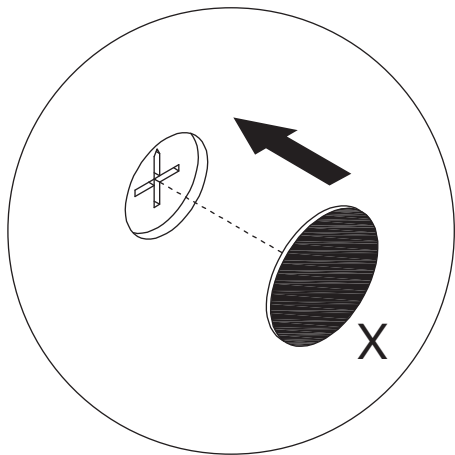
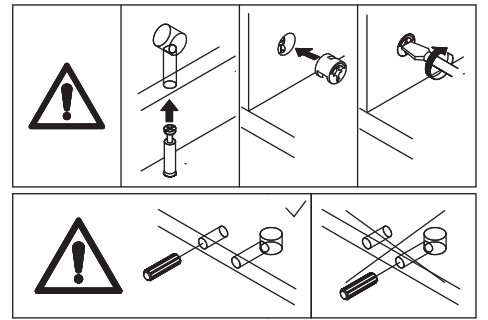
Screw eccentric rod A into panel 2.
Secure panel 11 to panel 2 using screw O.



7

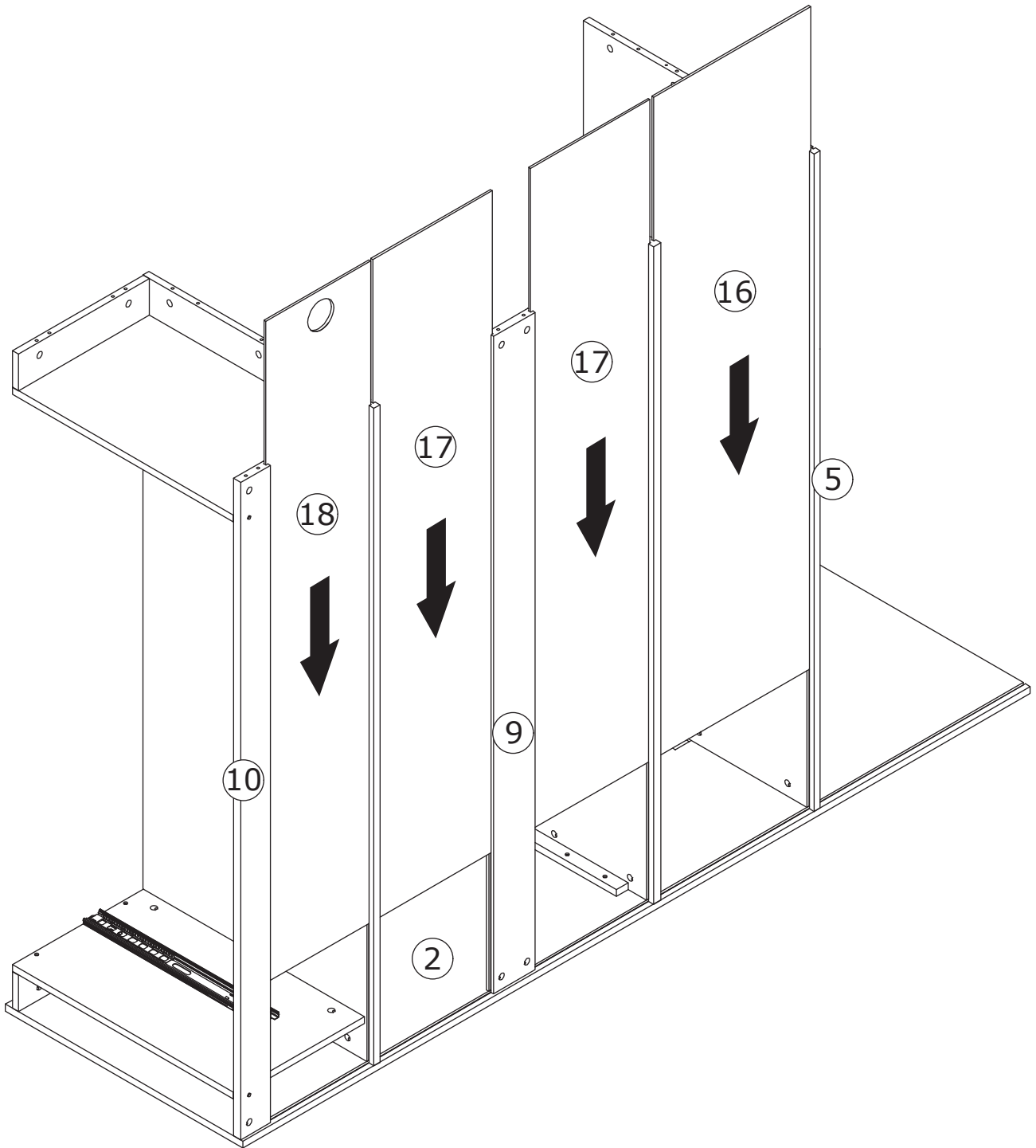


Insert wood dowel C into panel 2.
Connect panels 14/8/10, panel 9,
panel 6, and panel 5 to panel 2.
Lock by rotating eccentric wheel B
clockwise, then cover holes with
sticker X.

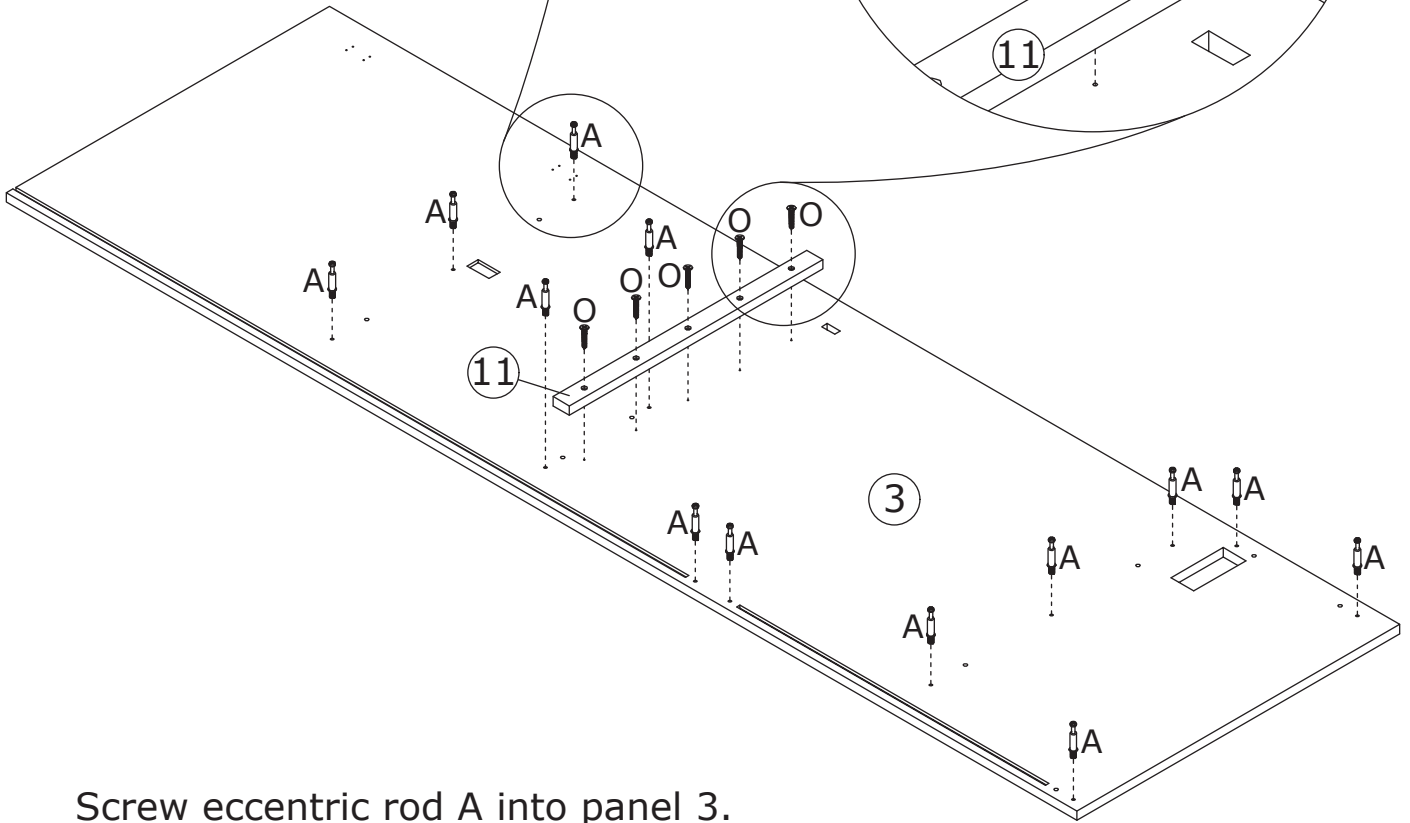
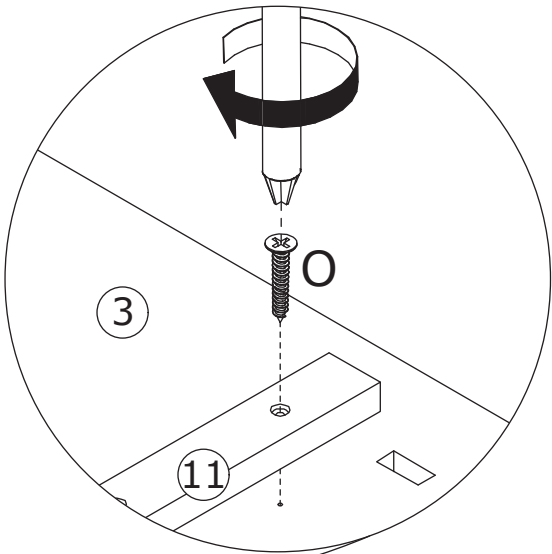
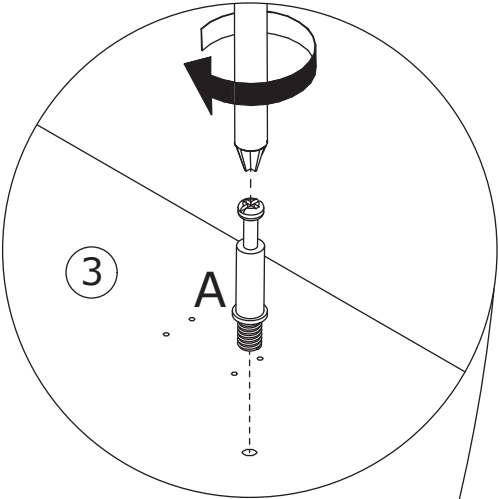
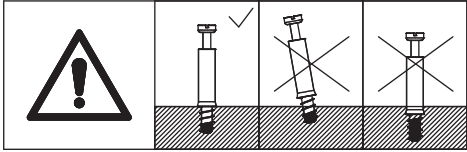
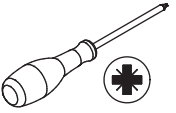
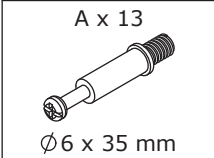


8

Install two back panels 16, 17 and 18.

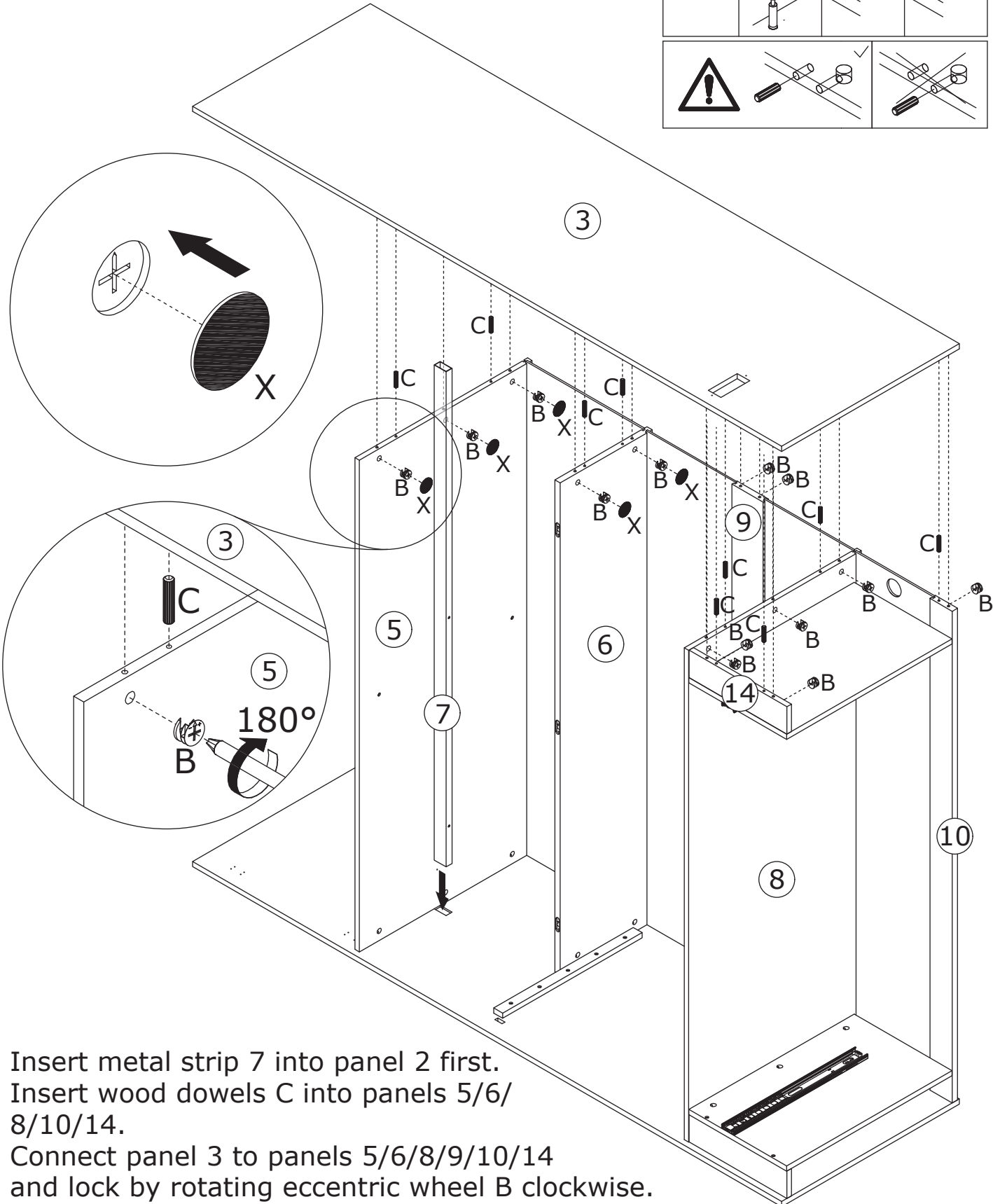
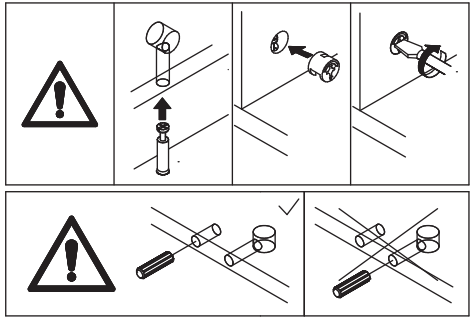
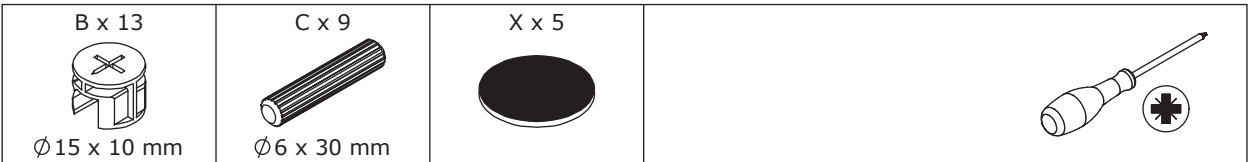


9



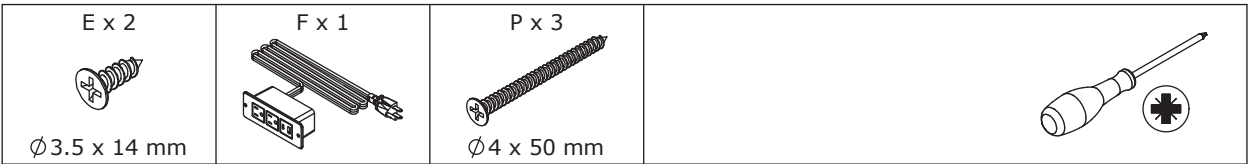
Screw eccentric rod A into panel 3.
Secure panel 11 to panel 3 using screw O.

10

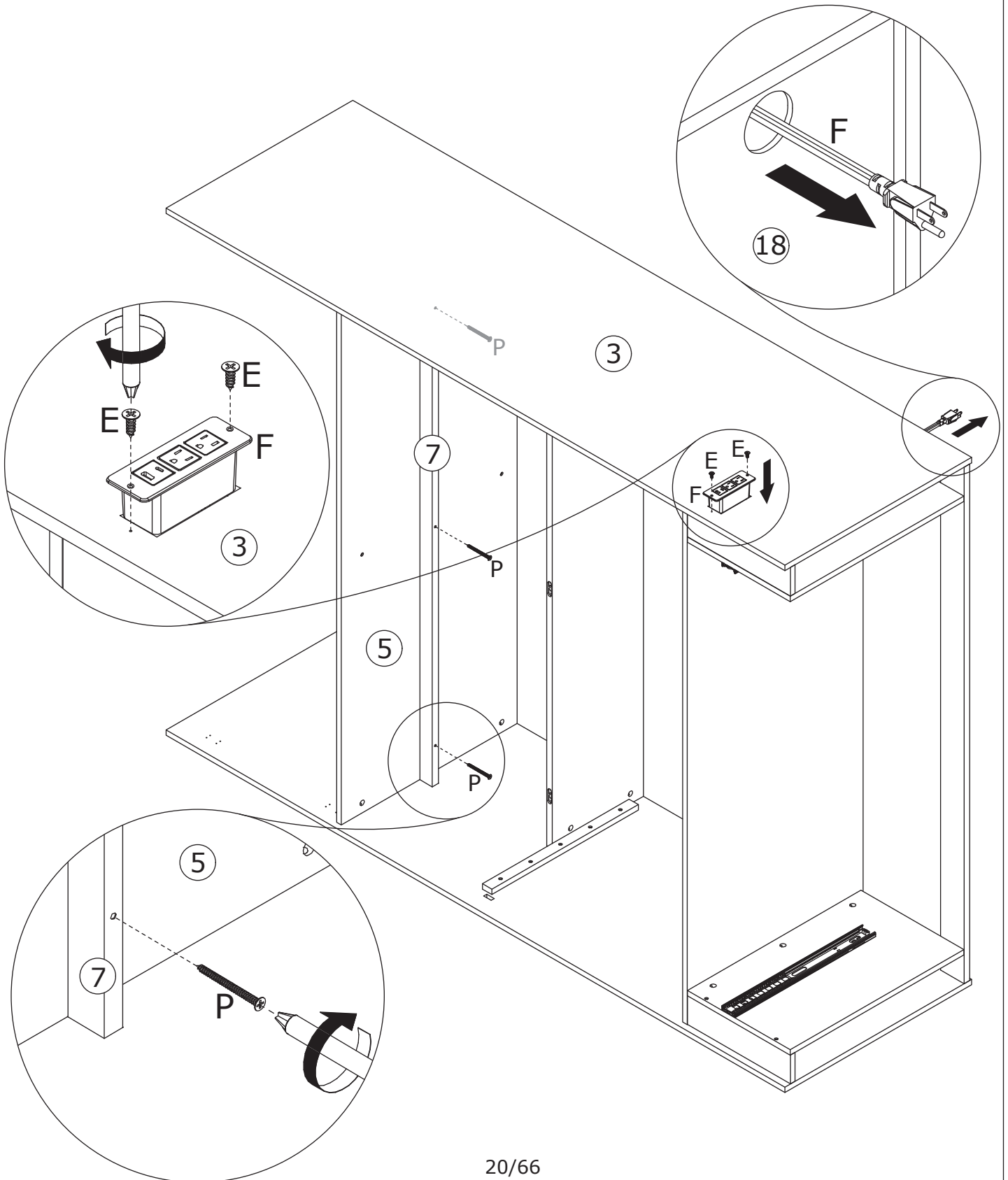


Insert metal strip 7 into panel 2 first.
 Insert wood dowels C into panels 5/6/
 8/10/14.
 Connect panel 3 to panels 5/6/8/9/10/14
 and lock by rotating eccentric wheel B clockwise.

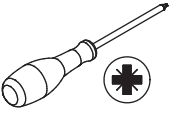
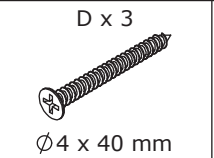
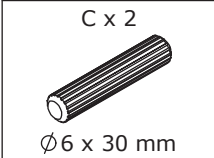
11



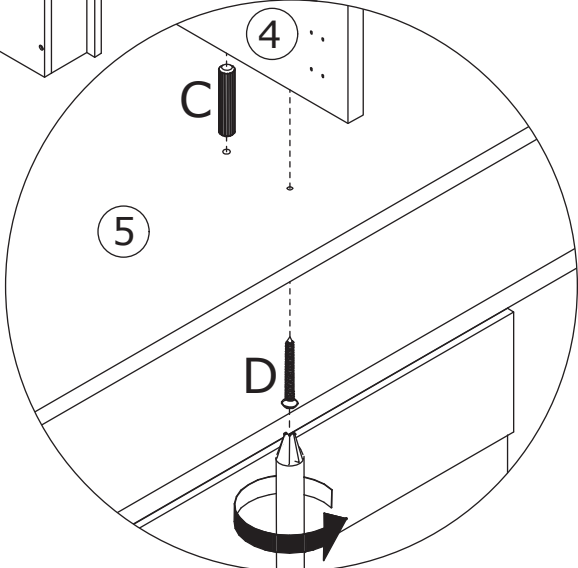
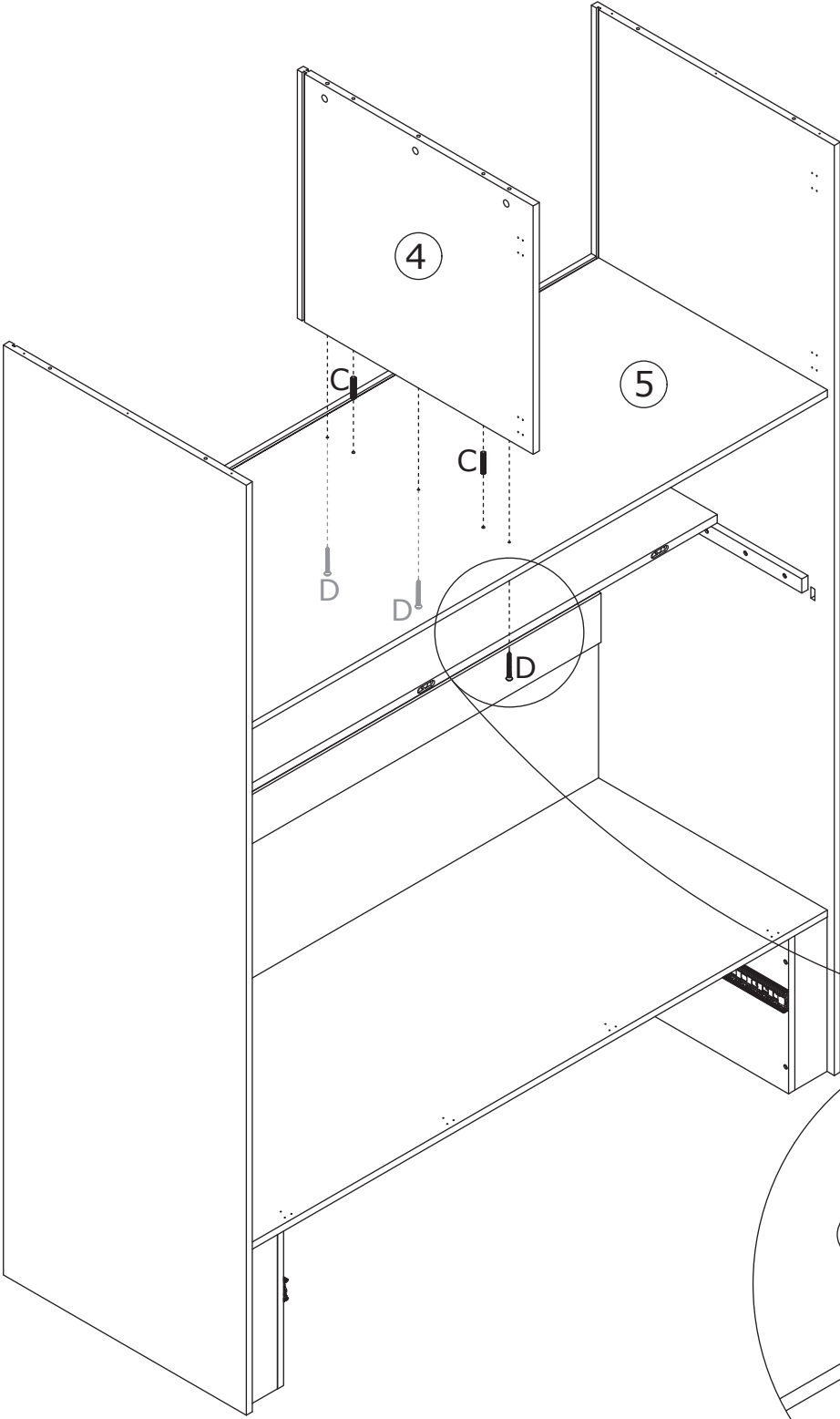
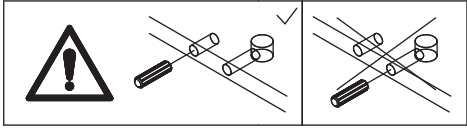
Secure power strip F to panel 3 with screw E.
Use screw P to fasten metal strip 7 to panel 5.



12

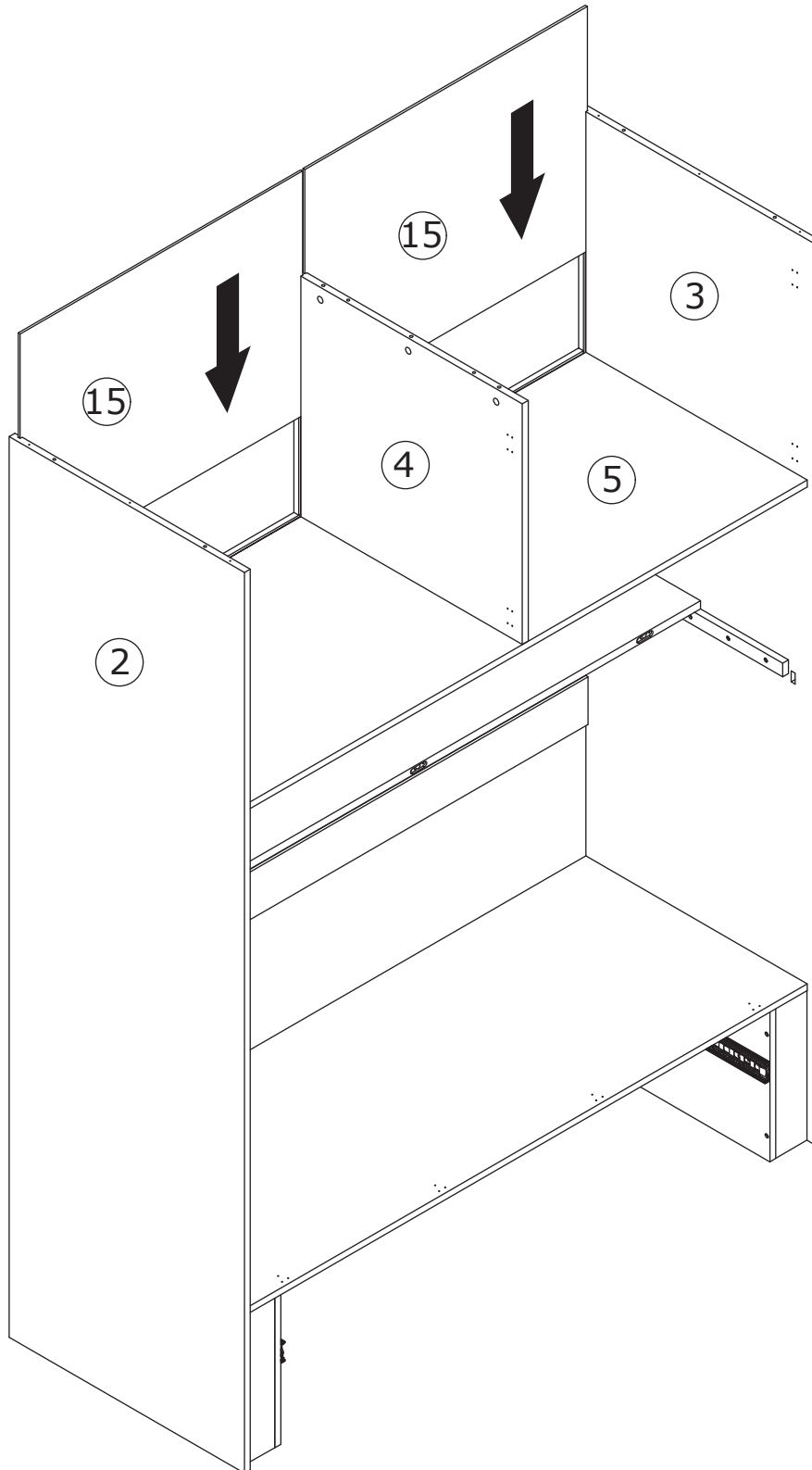


Insert wood dowel C into panel 5.
Secure panel 4 to panel 5 using screw D.

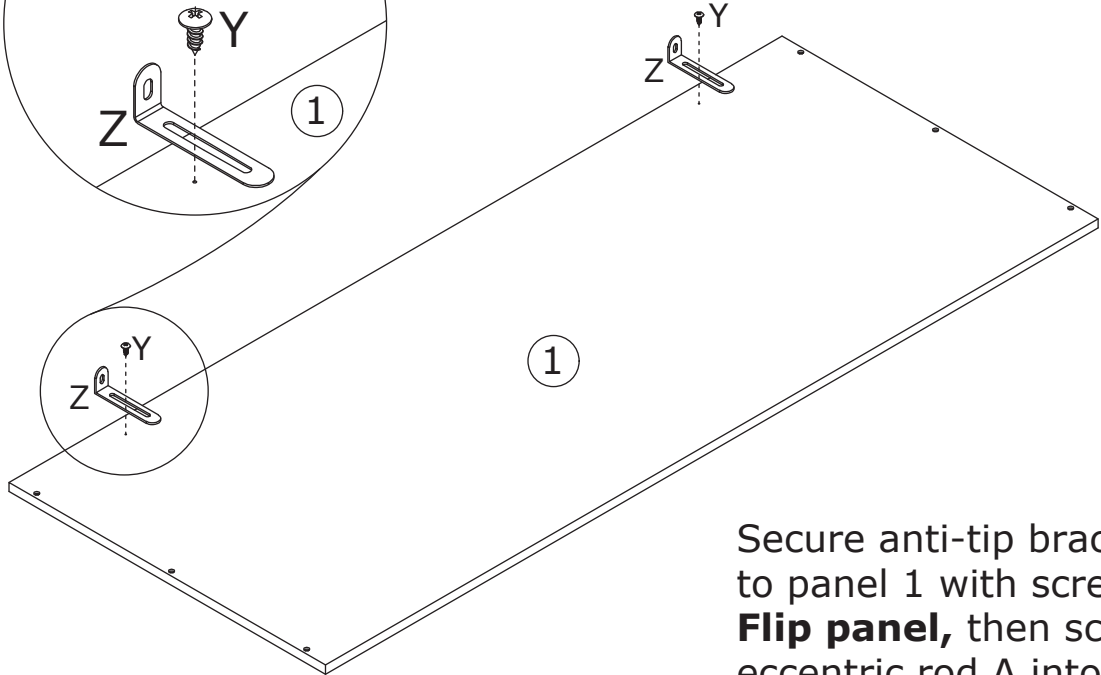
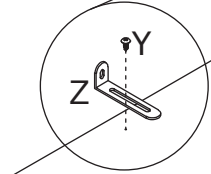
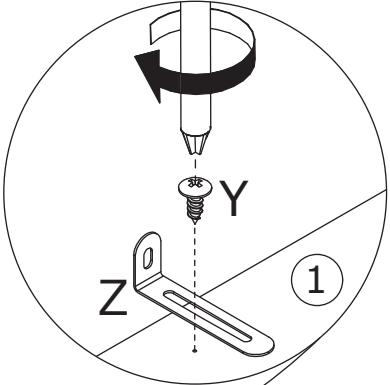
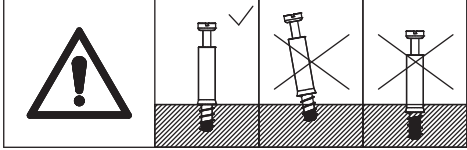
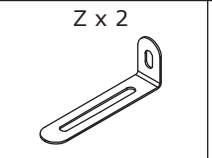
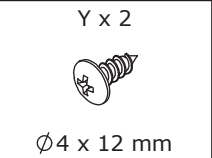
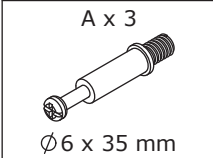


13

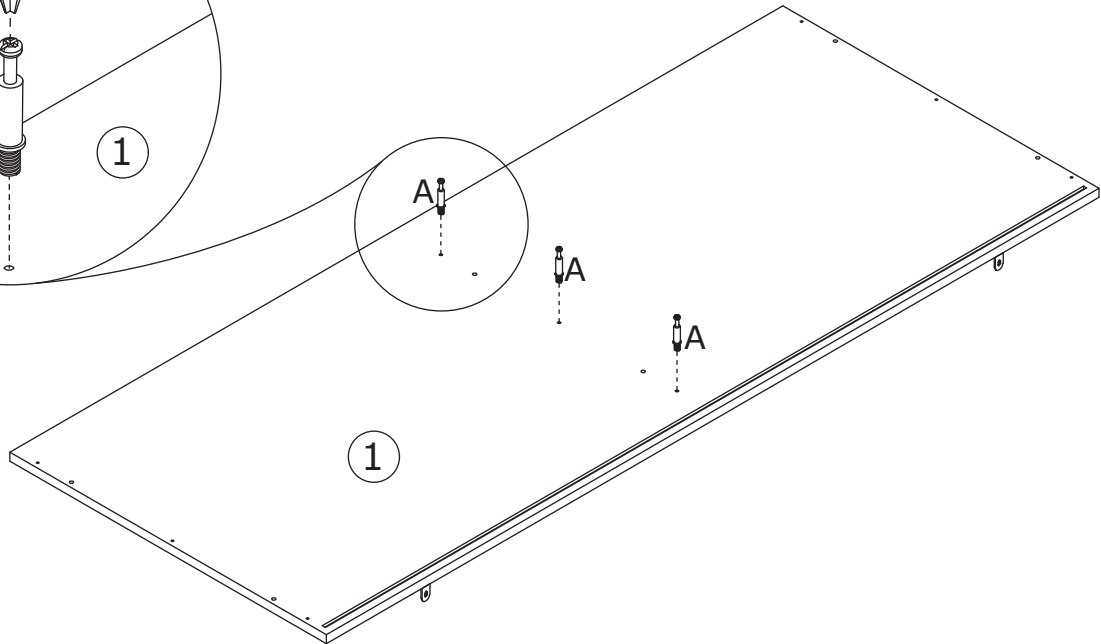
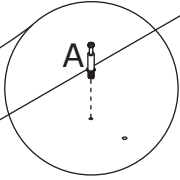
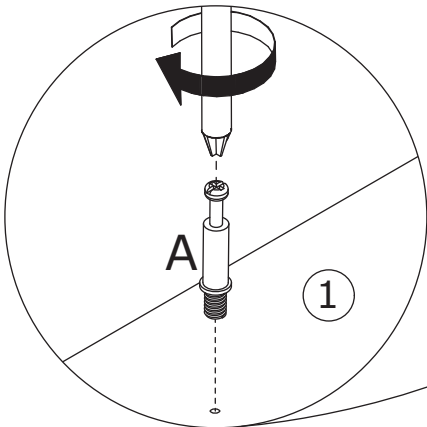
Install two back panels 15.



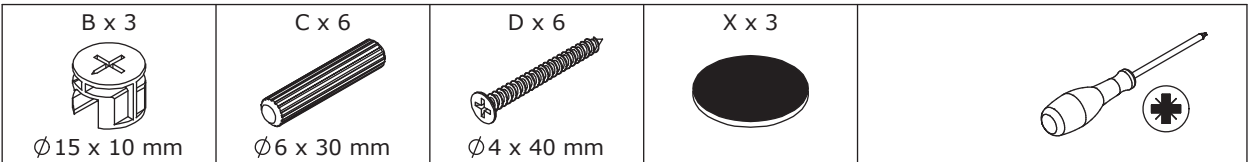
14



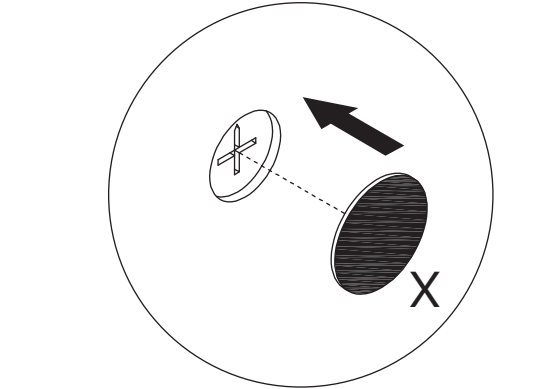
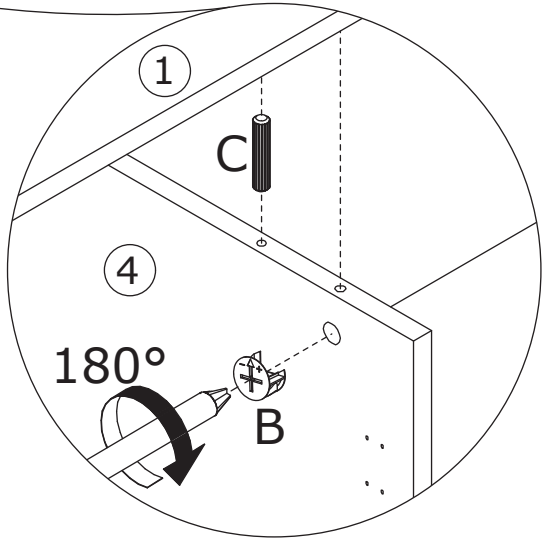
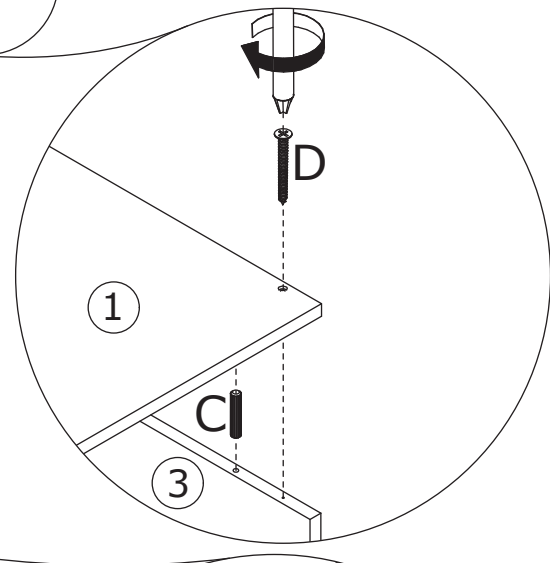
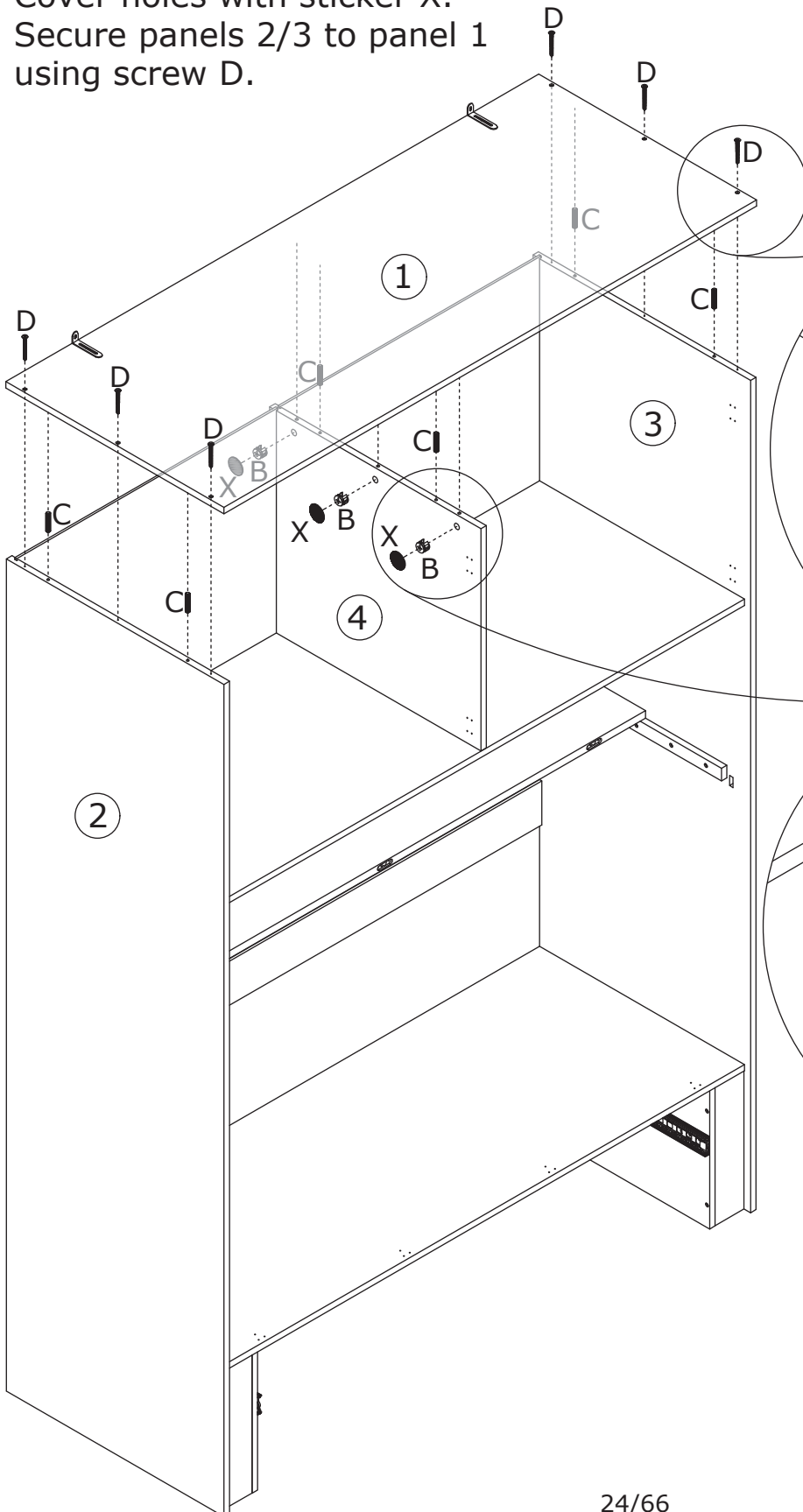
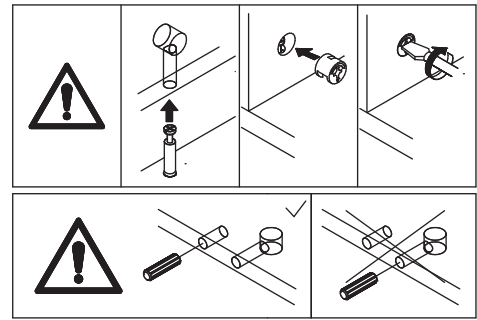
Secure anti-tip bracket Z to panel 1 with screw Y. **Flip panel**, then screw eccentric rod A into panel 1.



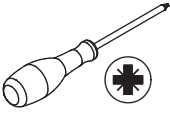
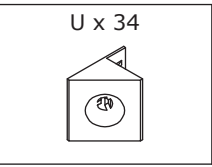
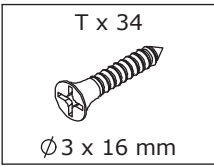
15



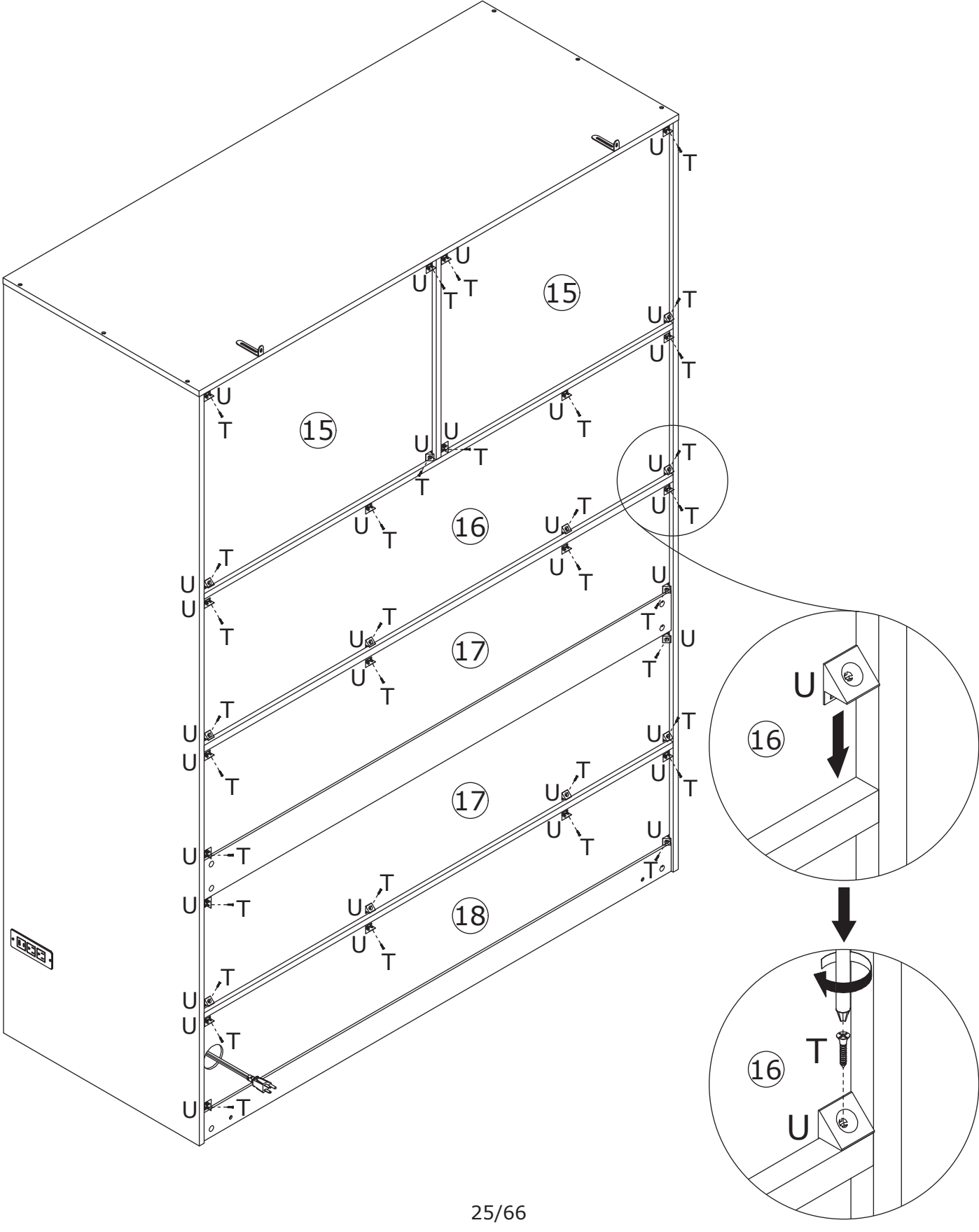
Insert wood dowels C into panels 2/3/4.
Connect panel 1 to panel 4 and lock with eccentric wheel B.
Cover holes with sticker X.
Secure panels 2/3 to panel 1 using screw D.



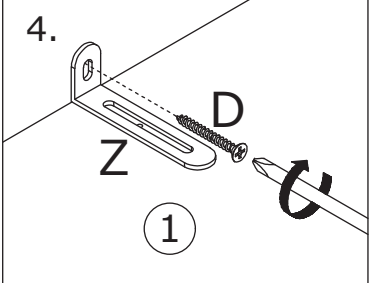
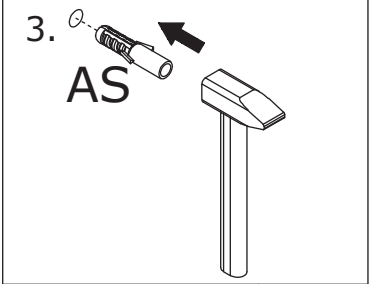
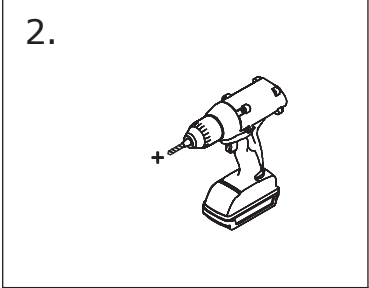
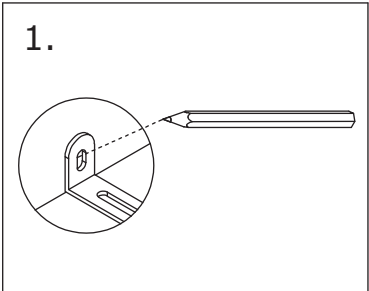
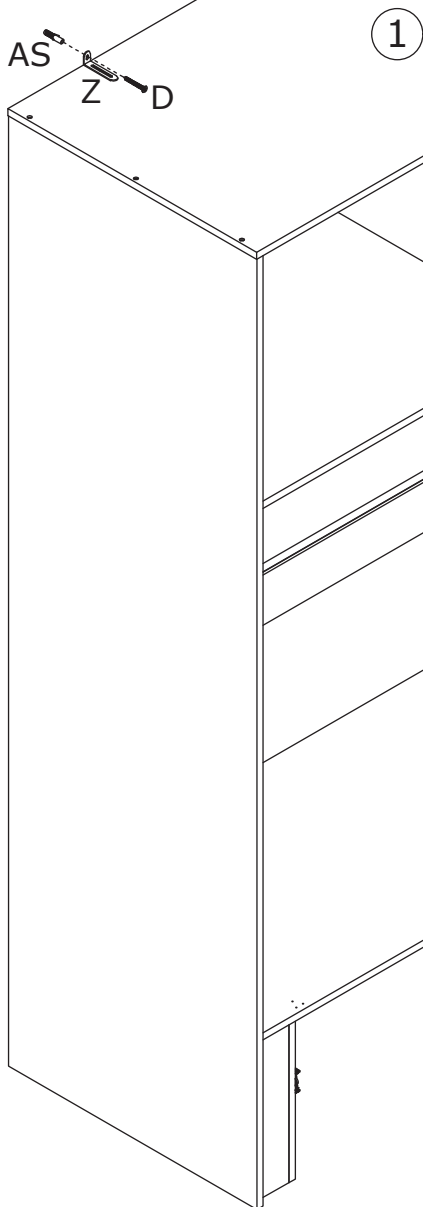
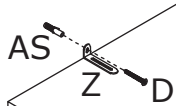
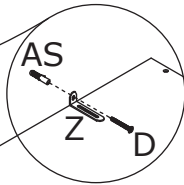
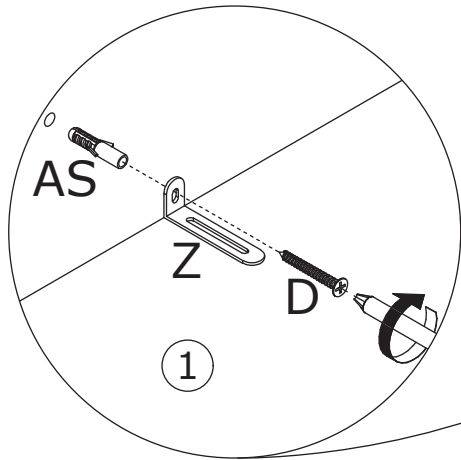
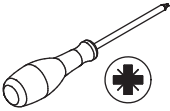
16



First install backplate clip U, then tighten with screw T.


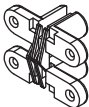


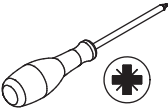


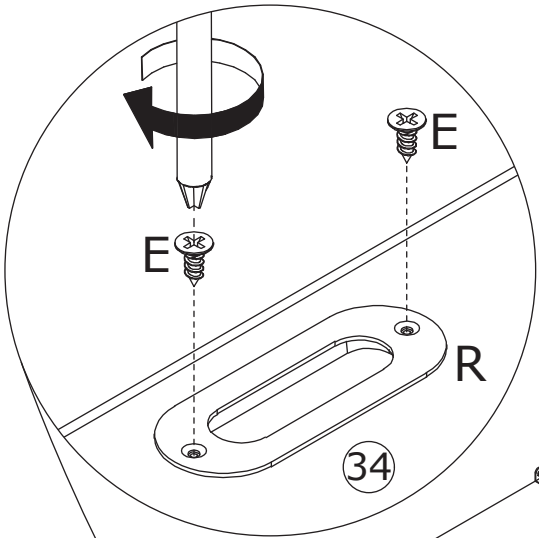
17



Install anti-tipping device as shown.

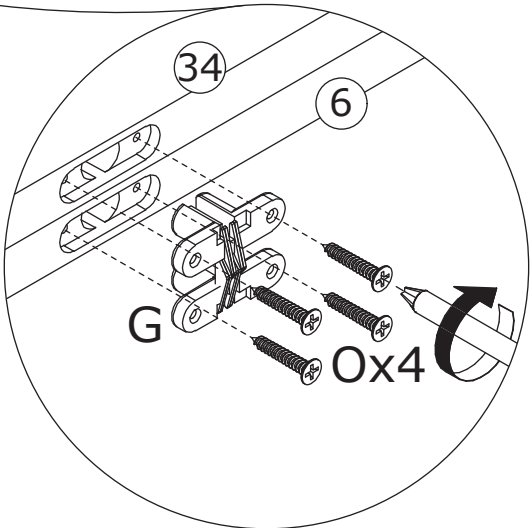
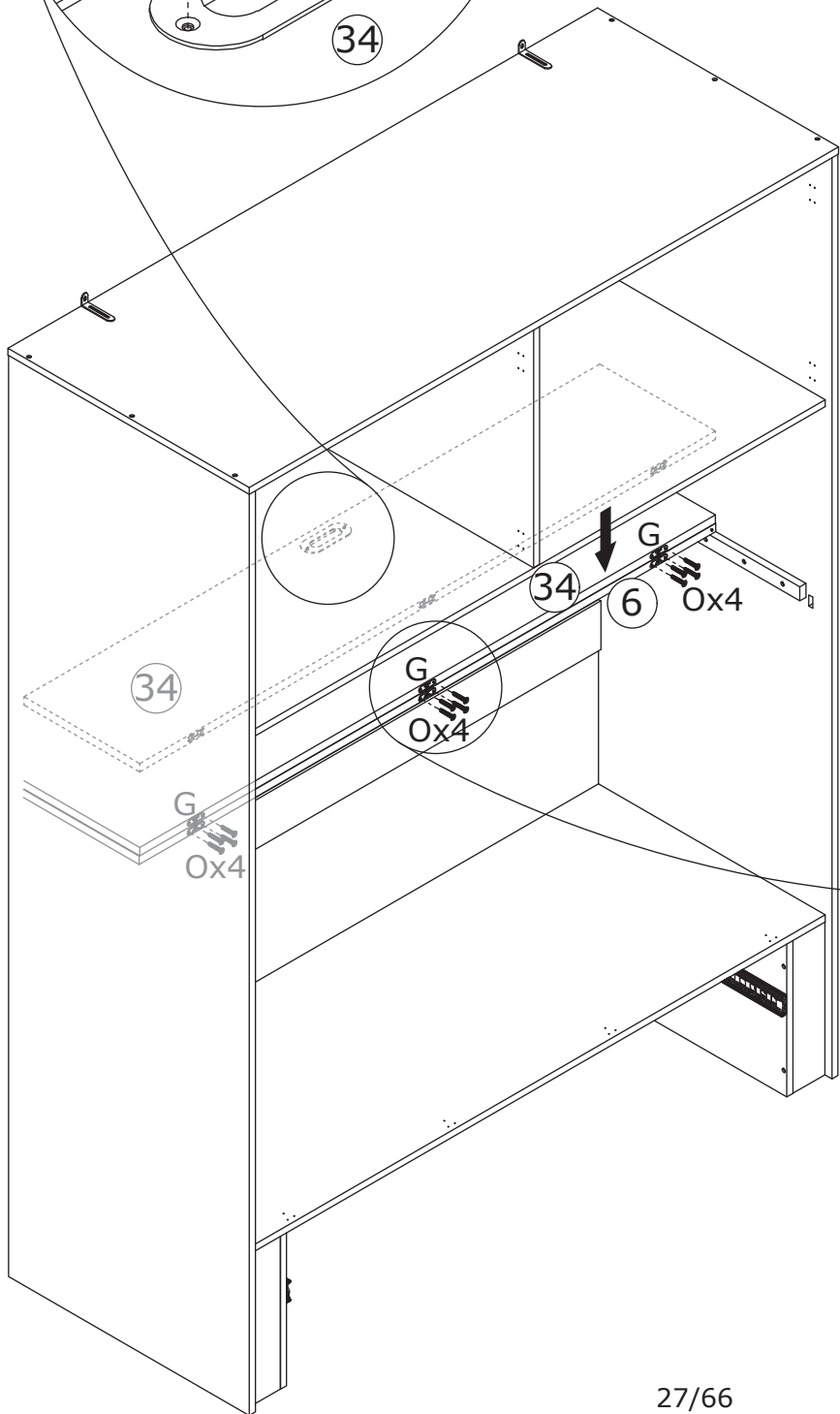
18

<p>E x 2</p>  <p>Ø 3.5 x 14 mm</p>	<p>G x 3</p> 	<p>O x 12</p>  <p>Ø 4 x 25 mm</p>	<p>R x 1</p> 	
---	--	--	---	---



Secure accessory R to panel 34 with screw E.

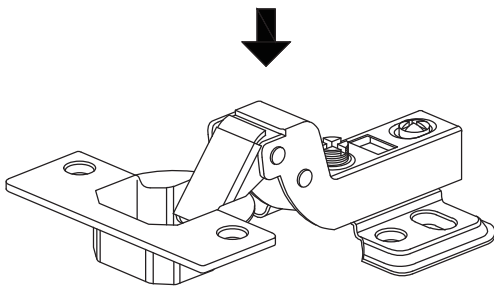
Connect panel 6 to panel 34 using accessory G and screw O.



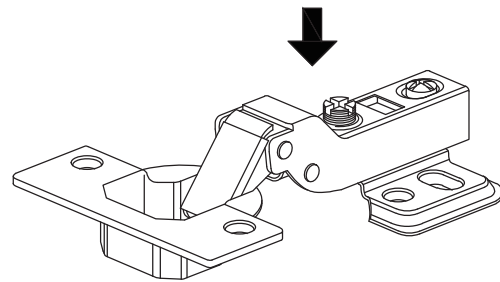


Pay attention to the difference between the middle parts of the two types of door hinges.

- The large curved door hinges(BS) are used on the outermost door plates
- And the small curved door hinges(CS) are used on the door panel in the middle of the cabinet



BS



CS

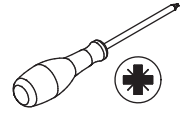
20

E x 8



Ø 3.5 x 14 mm

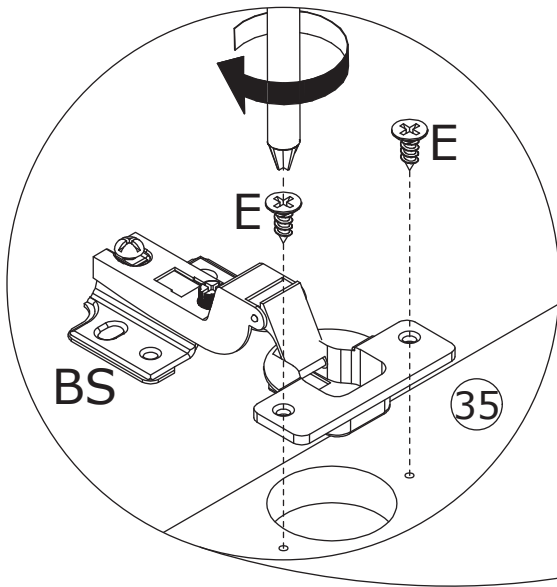
BS x 4



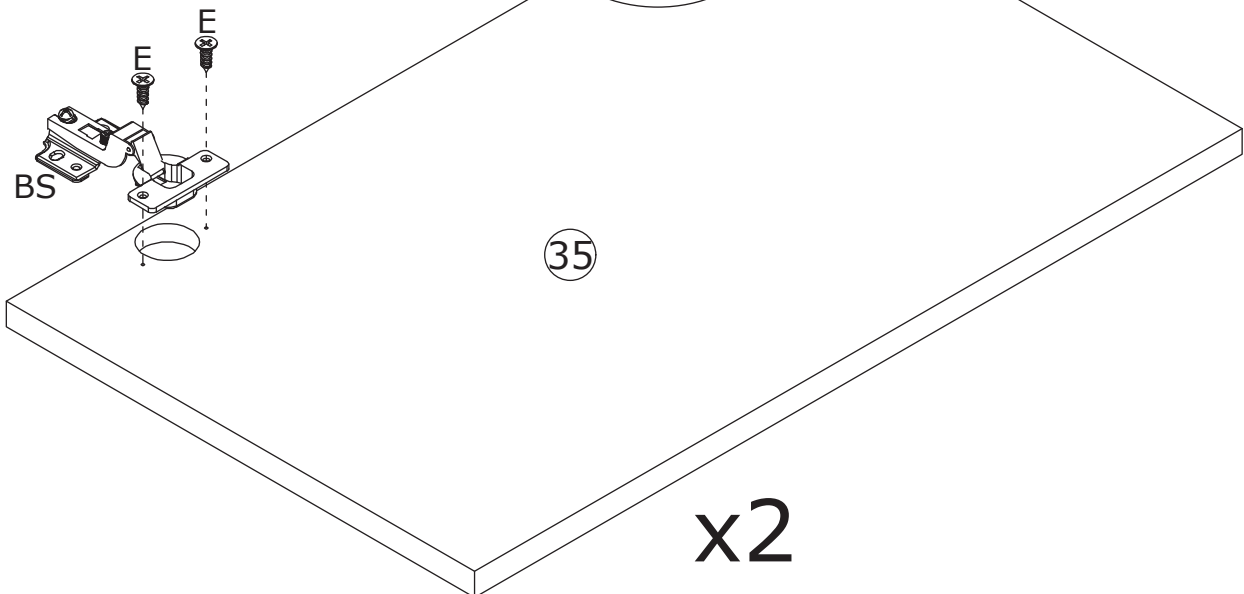
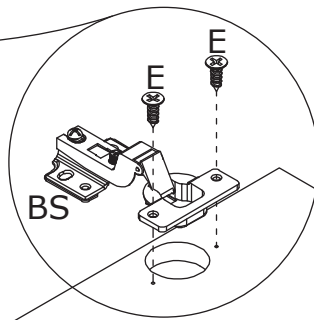
BS



CS

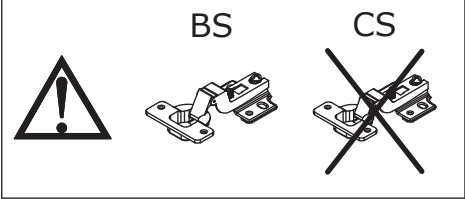
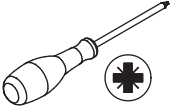


Secure hinge BS to panel 35 with screw E.

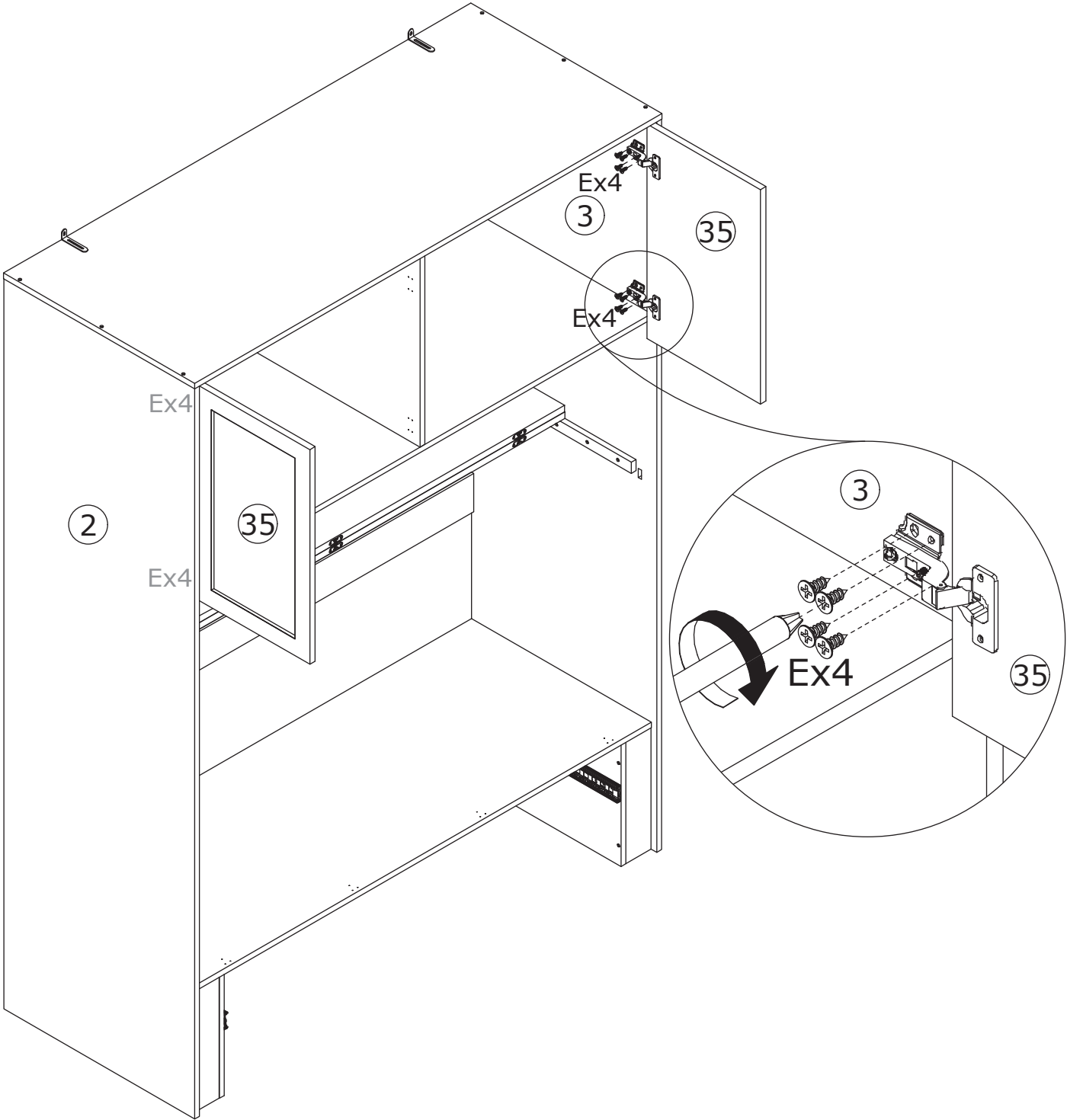


21

E x 16
Ø3.5 x 14 mm



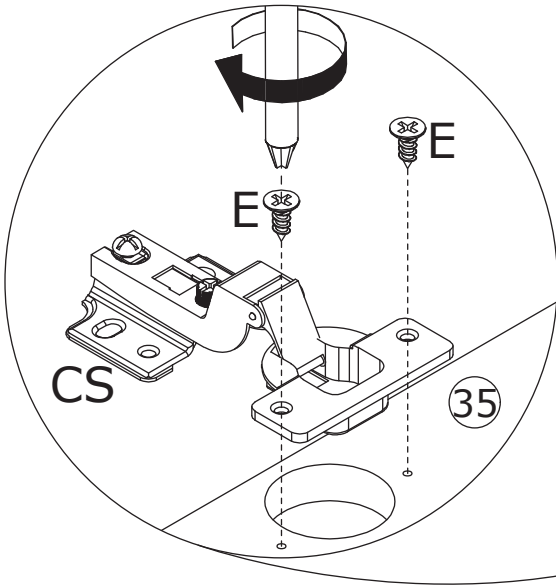
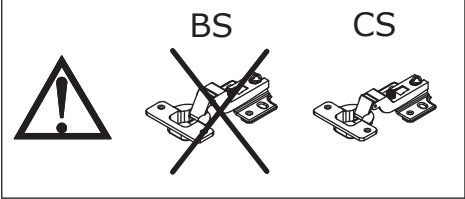
Attach panel 35 to panel 2 using hinge BS and screw E. Repeat for panel 3.



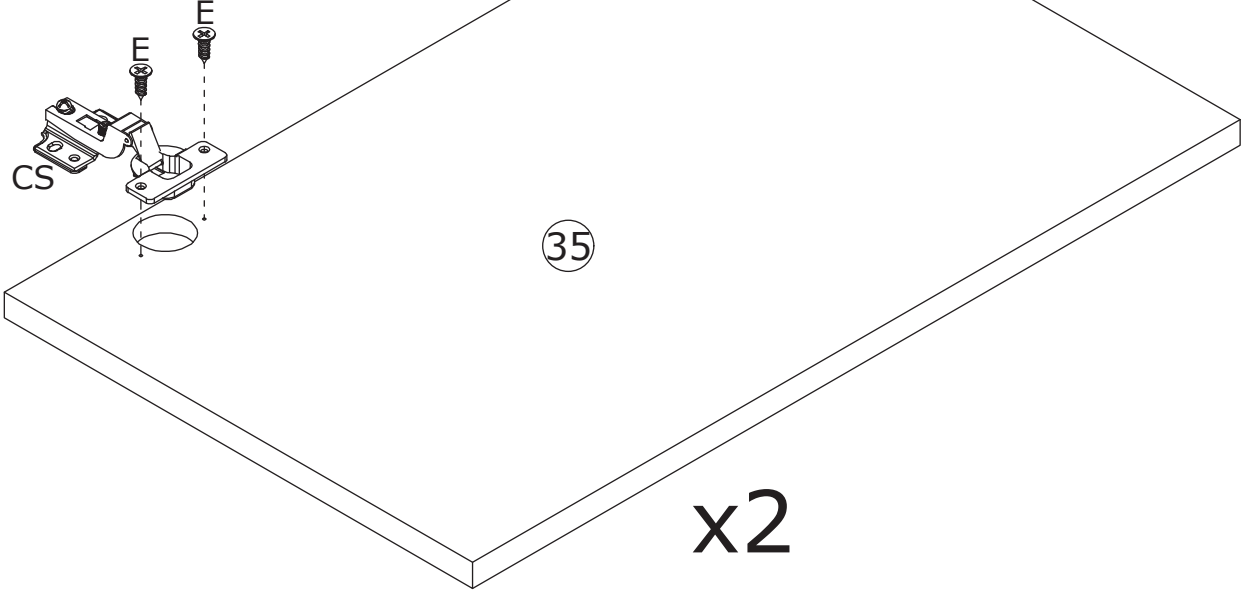
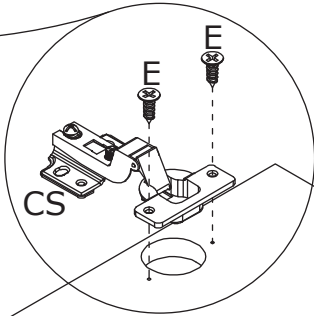
22

E x 8
Ø 3.5 x 14 mm

CS x 4



Secure hinge CS to panel 35 with screw E.

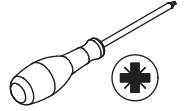


23

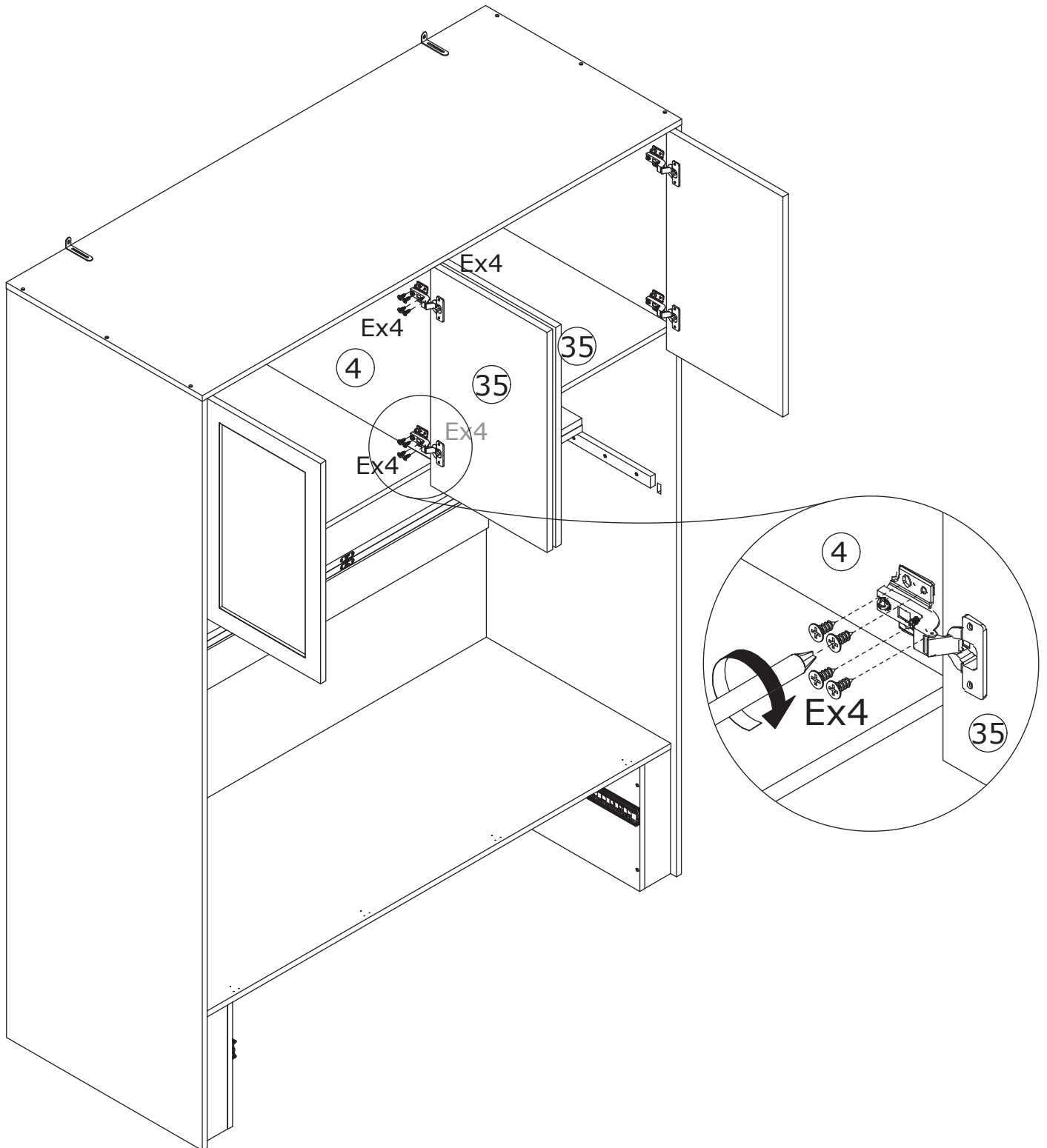
E x 16

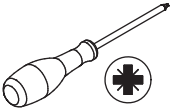


Ø 3.5 x 14 mm



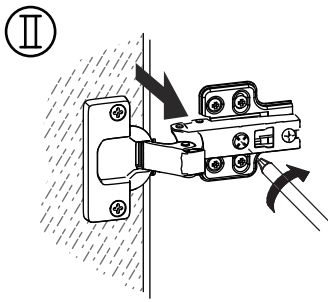
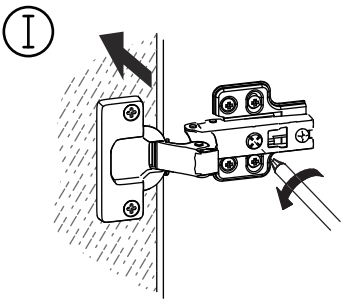
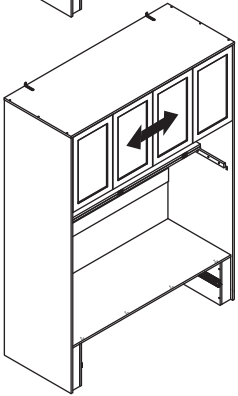
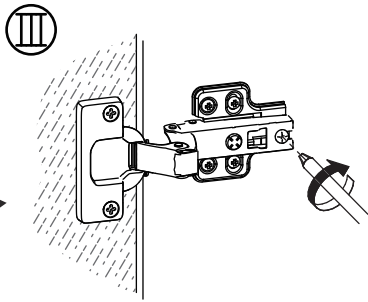
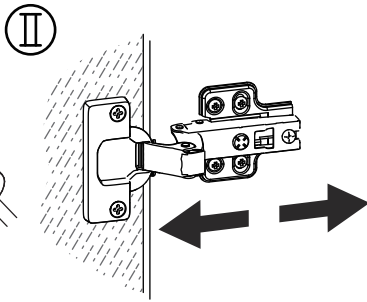
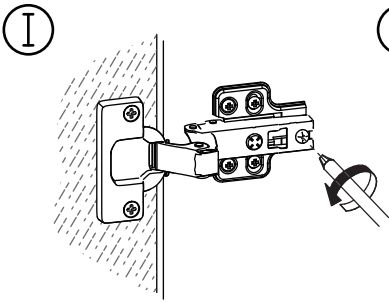
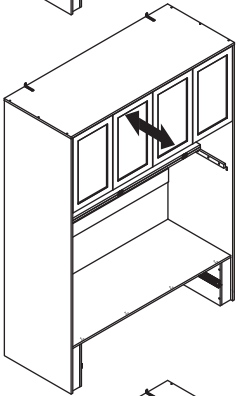
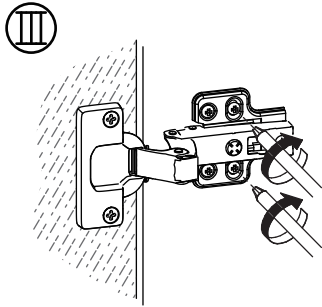
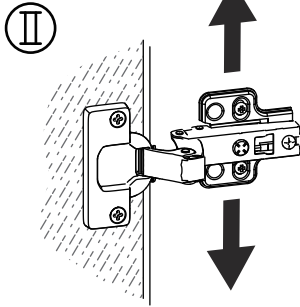
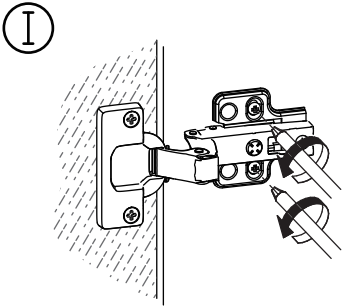
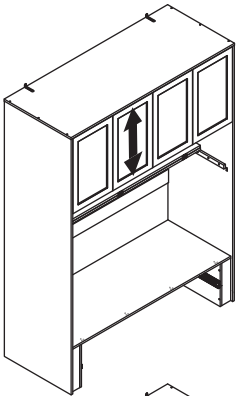
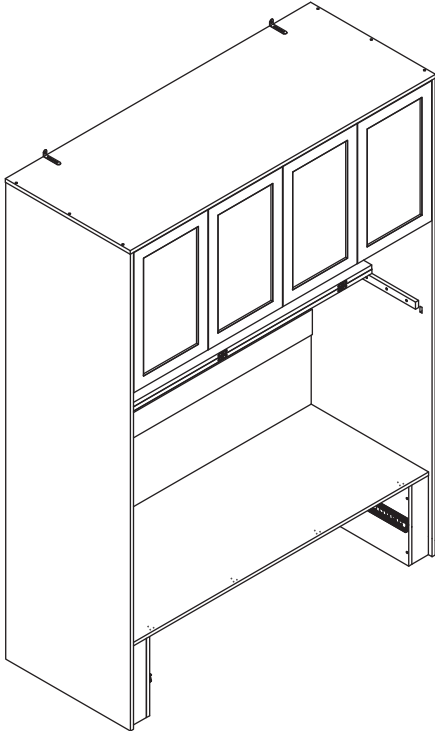
Secure panel 35 to panel 4 using hinge CS and screw E.



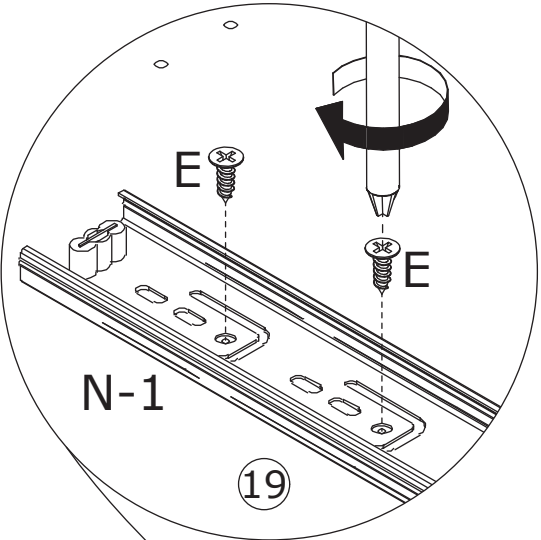
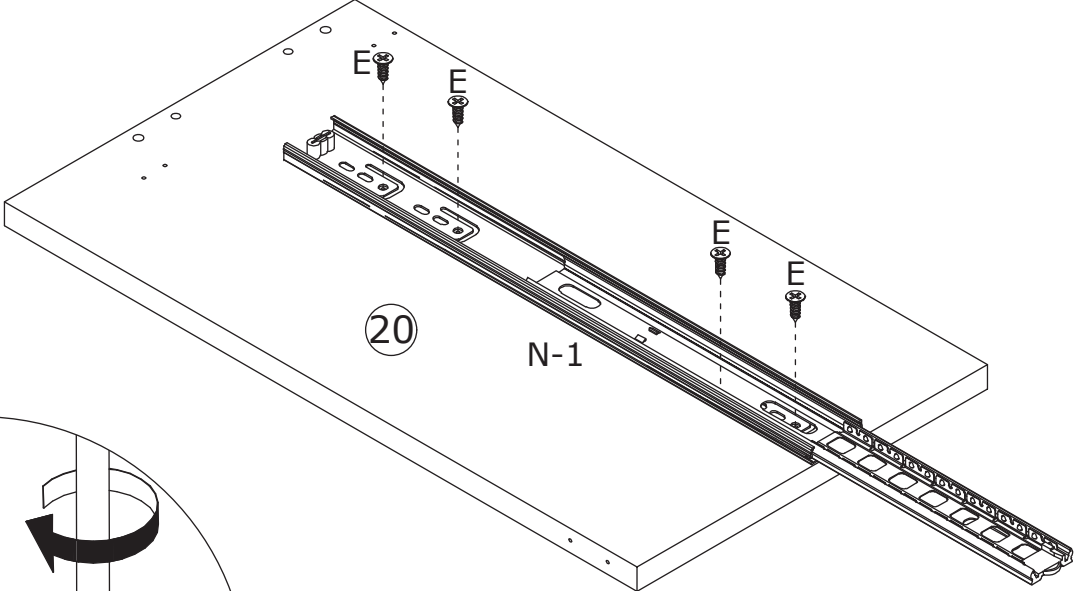
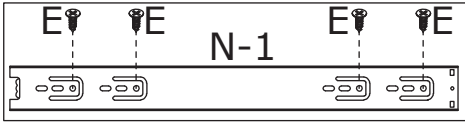
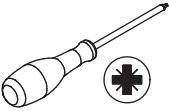
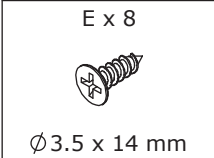


If doors are still not aligned if the hinges are properly correctly, please watch the video.

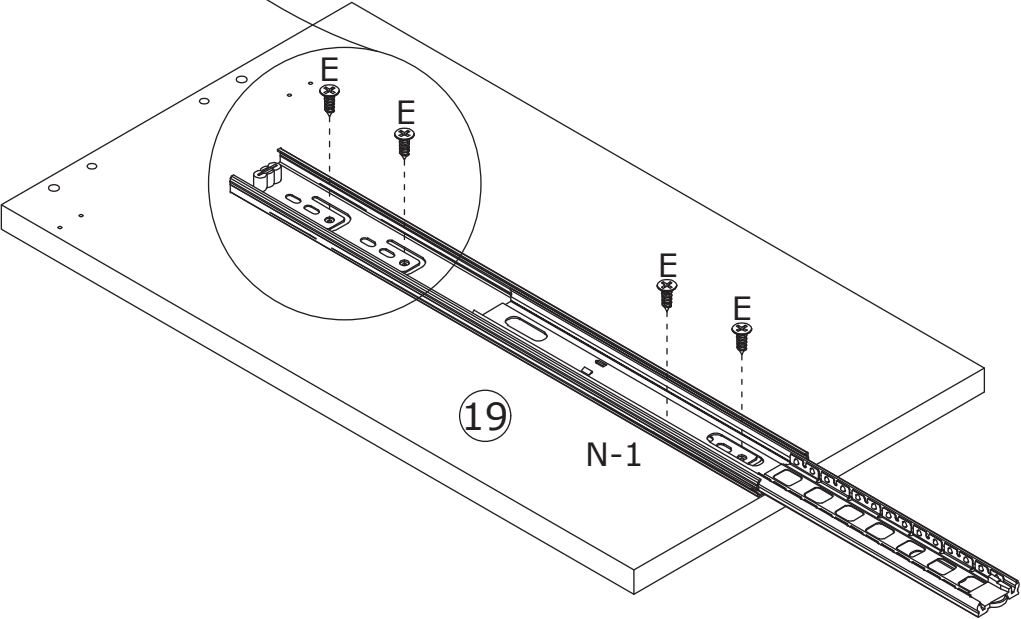
<https://youtu.be/n0Lb36SoODM>



25



Secure rail N-1 to panels 19/20 with screw E.

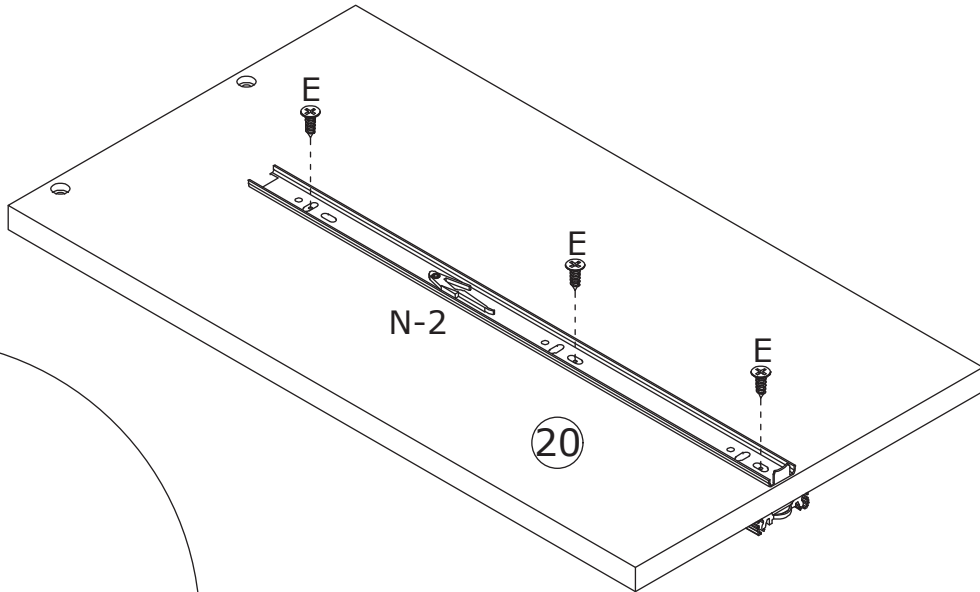
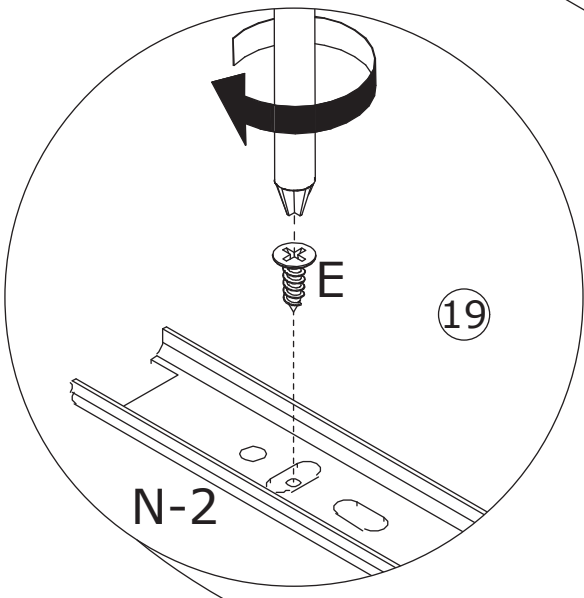
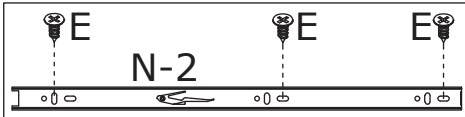
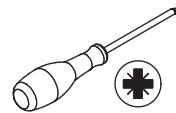
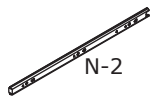


26

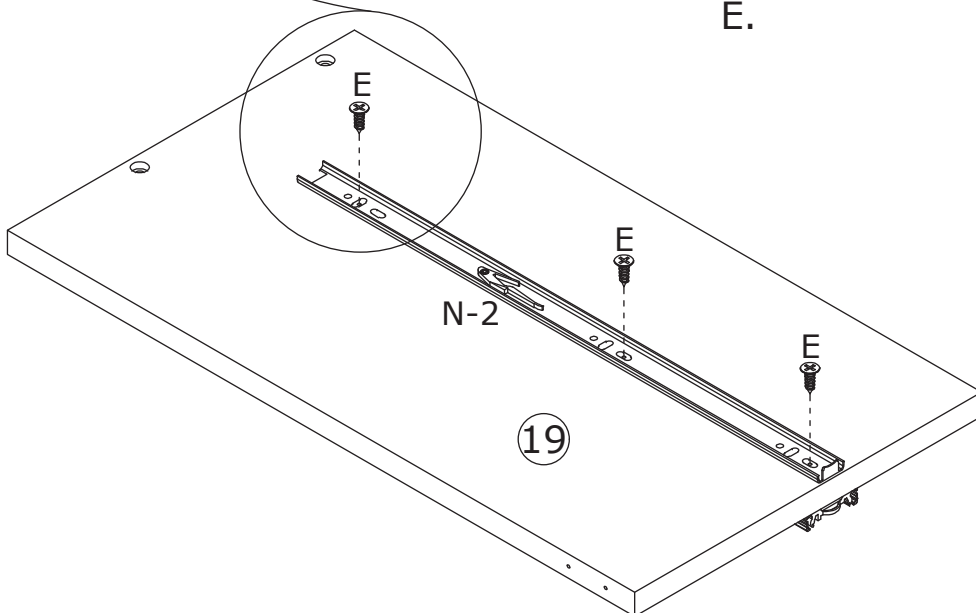
E x 6
Ø 3.5 x 14 mm



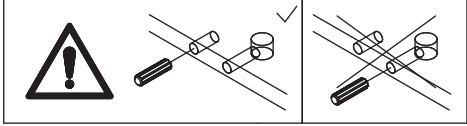
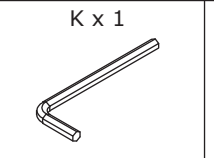
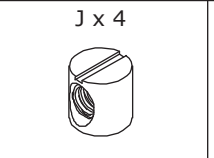
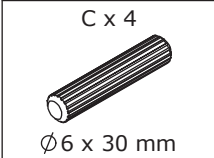
N x 2
L = 450 mm



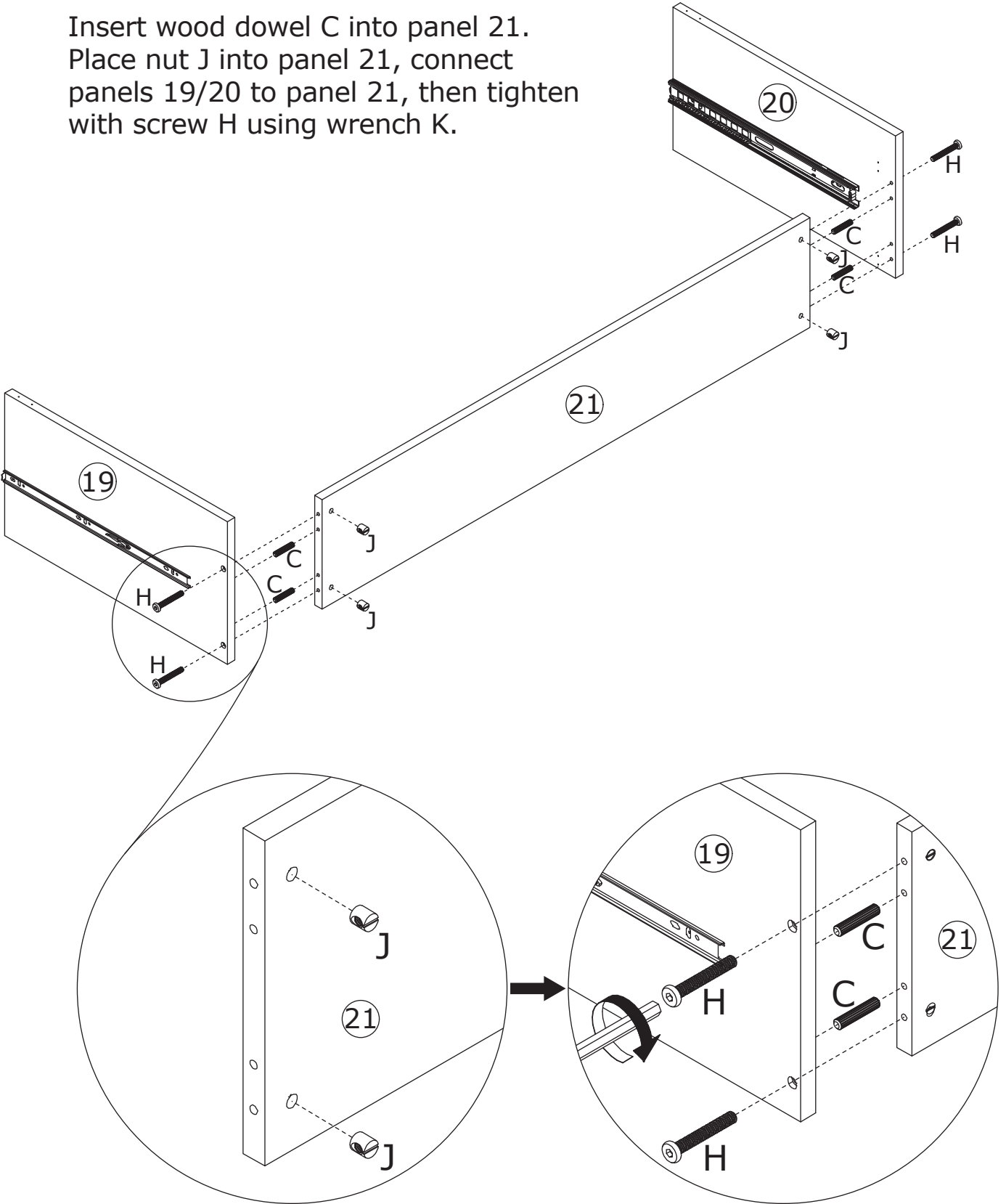
Flip the two panels to back, secure rail N-2 to panels 19/20 with screw E.







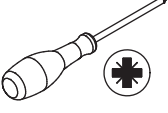
27



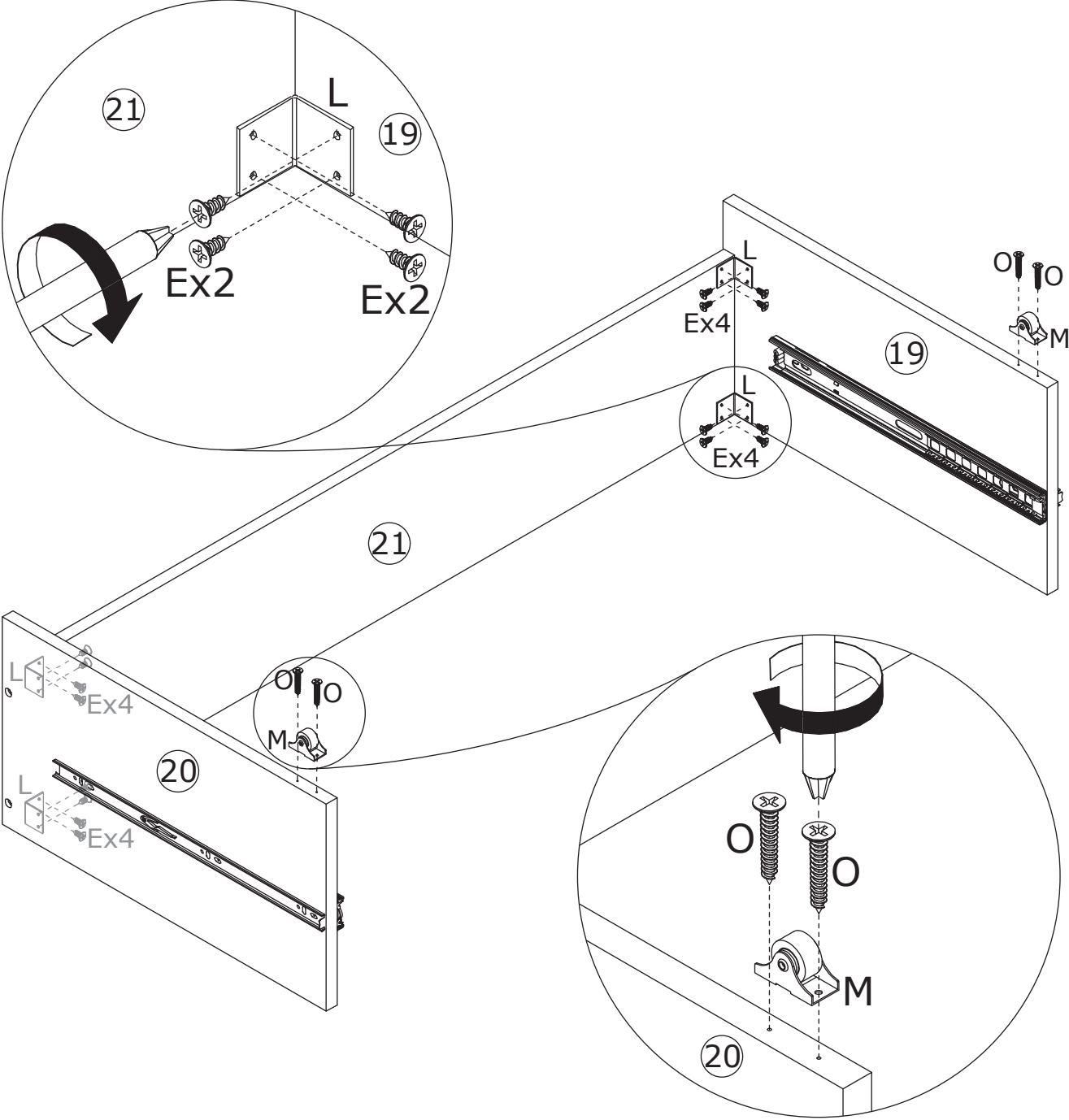
Insert wood dowel C into panel 21.
Place nut J into panel 21, connect
panels 19/20 to panel 21, then tighten
with screw H using wrench K.



28

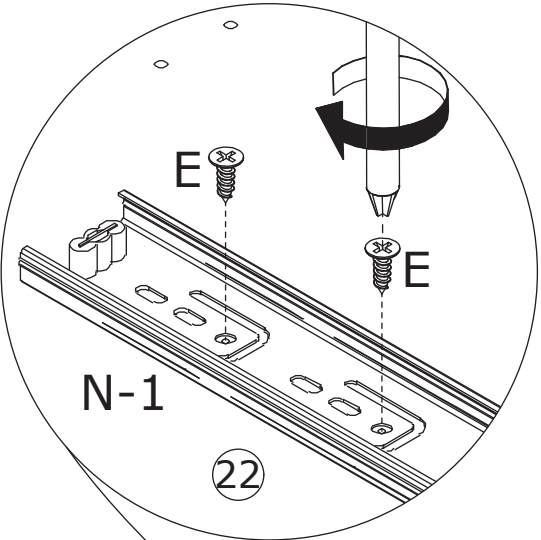
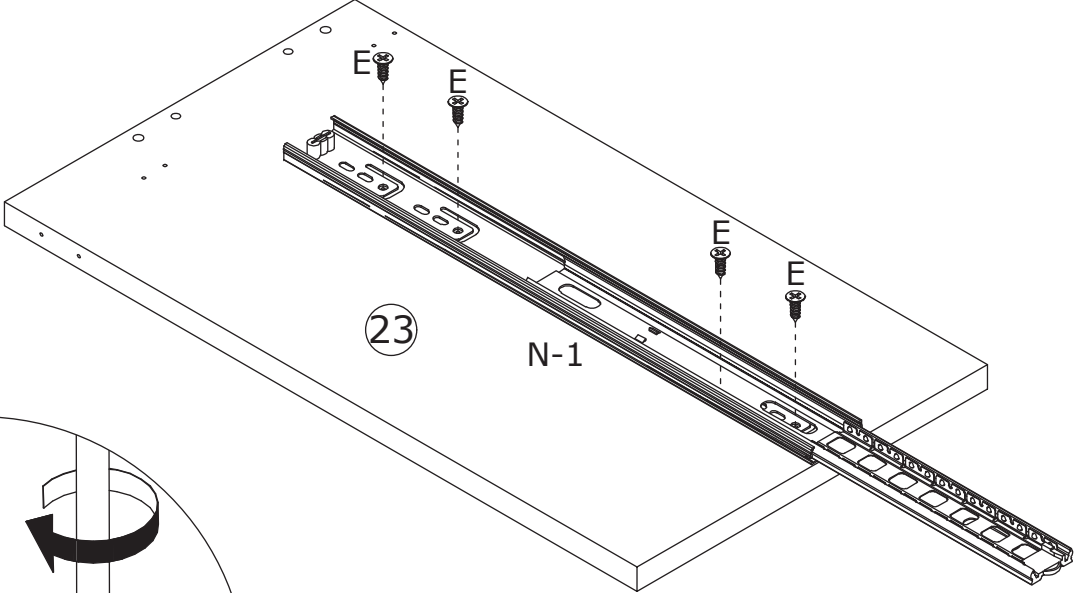
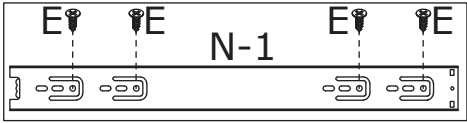
E x 16  Ø 3.5 x 14 mm	L x 4 	M x 2 	O x 4  Ø 4 x 25 mm	
--	--	--	--	---

Secure accessory M to panels 19/20 with screw O.
Fix accessory L to panels 19/20/21 with screw E.

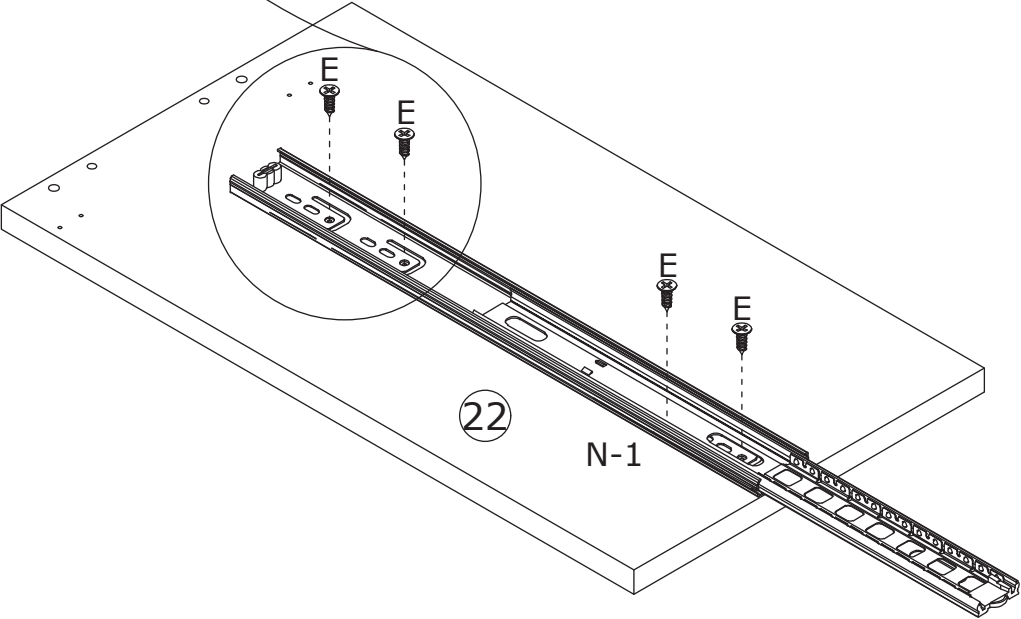


29

<p>E x 8</p>  <p>Ø 3.5 x 14 mm</p>	<p>N x 2</p>  <p>N-1</p> <p>L = 450 mm</p>	 
---	---	---



Secure rail N-1 to panels 22/23 with screw E.

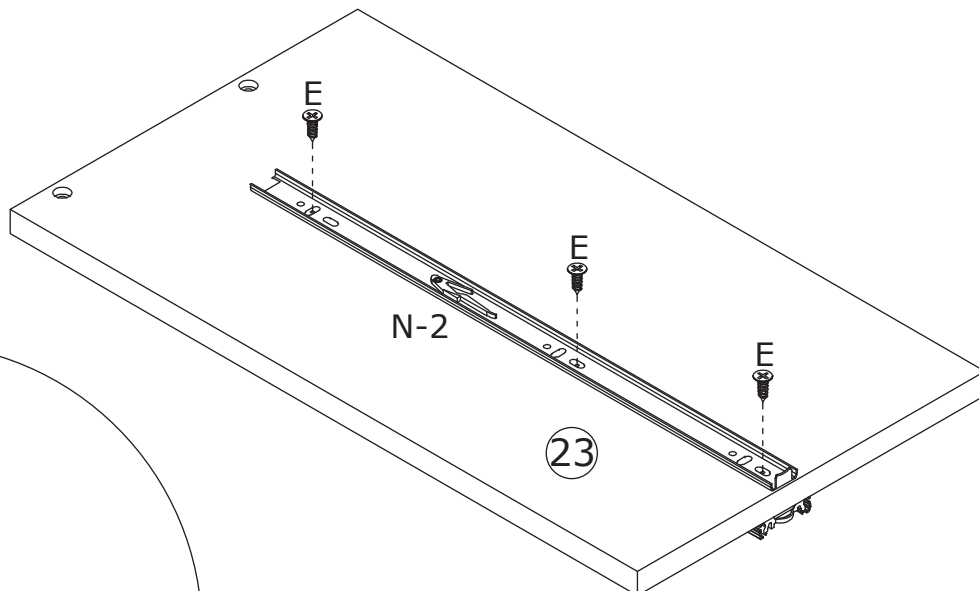
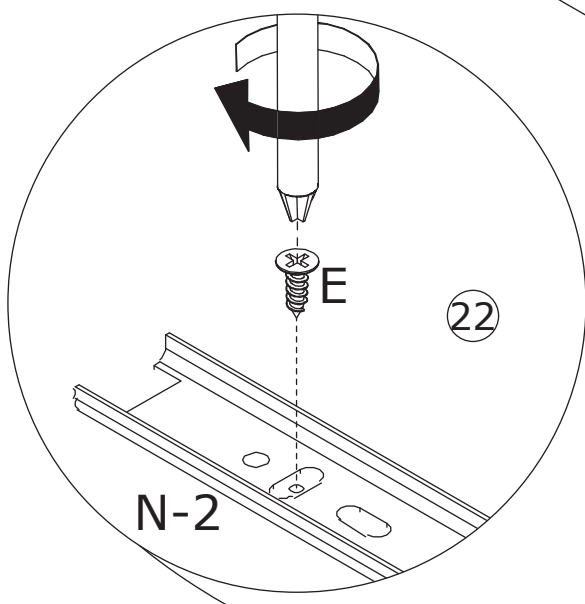
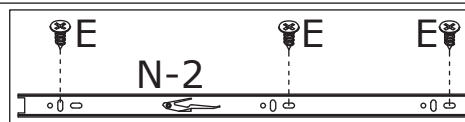
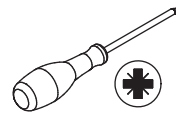
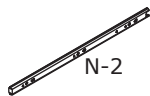


30

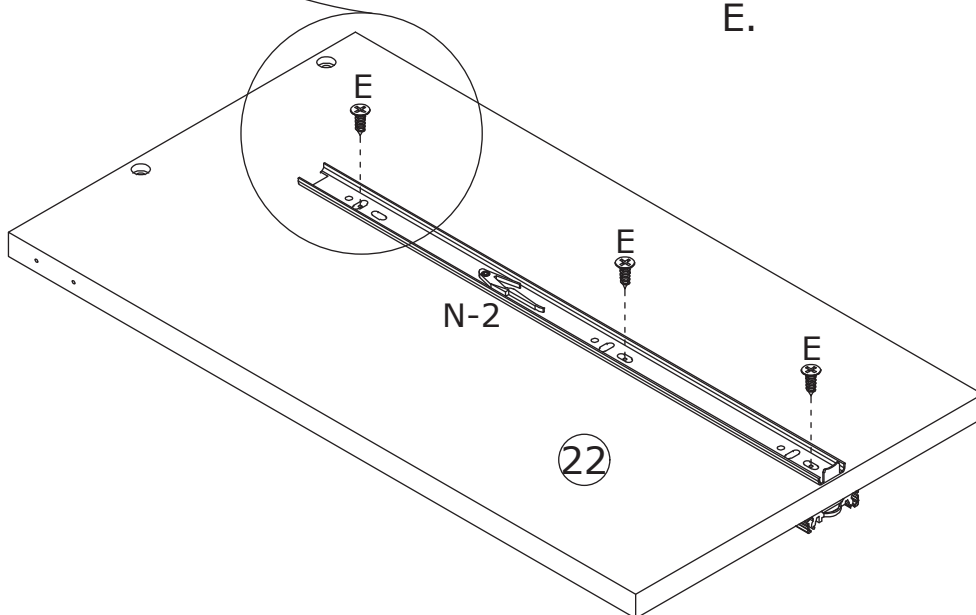
E x 6
Ø 3.5 x 14 mm



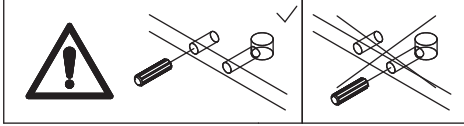
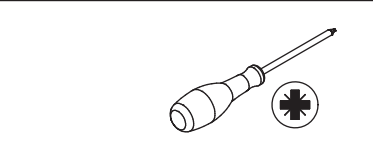
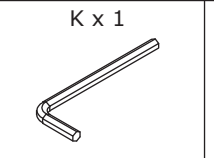
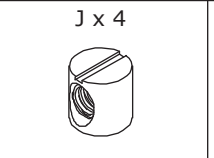
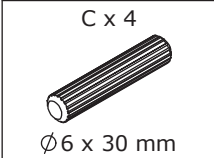
N x 2
L = 450 mm



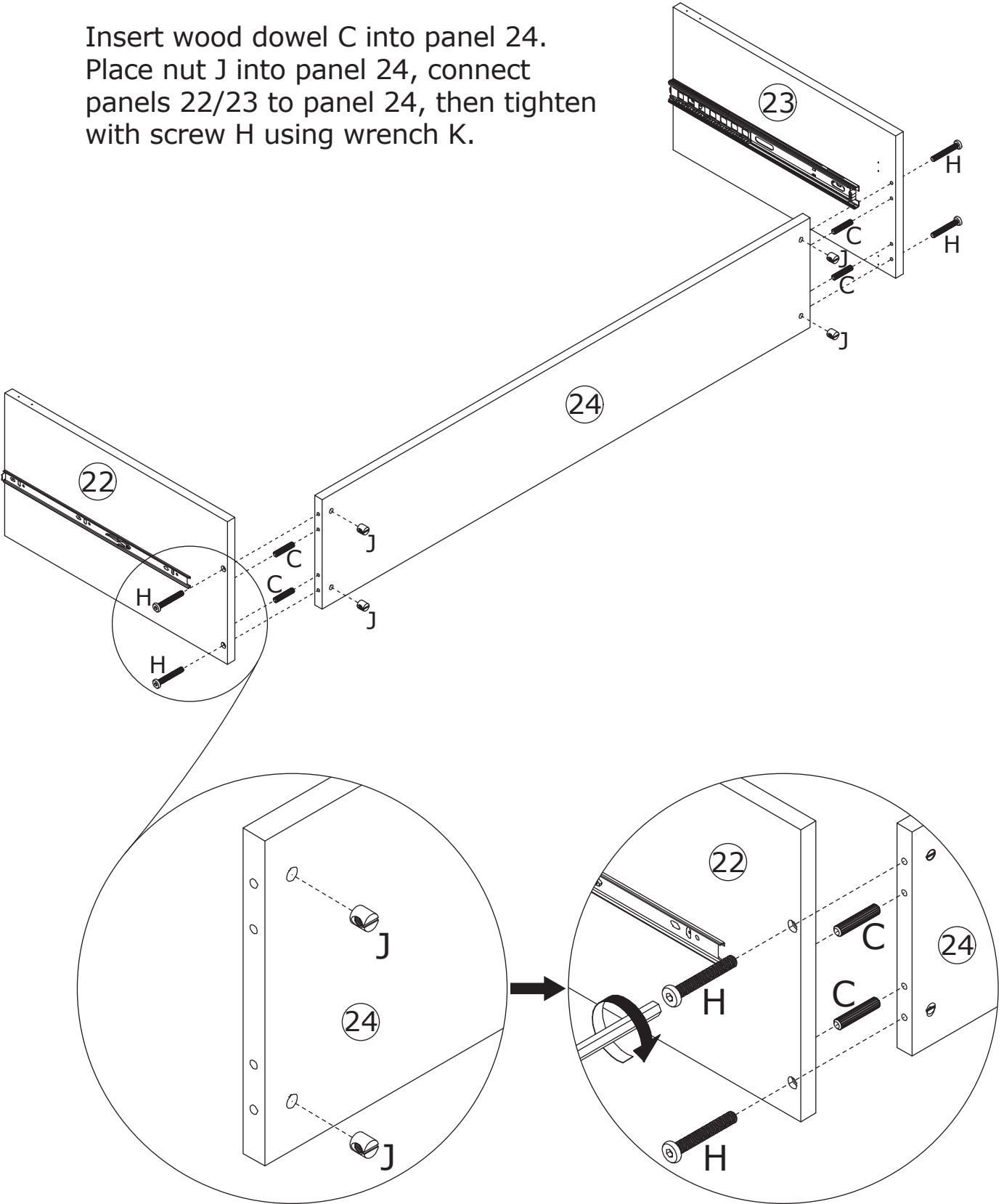
Flip the two panels to back, secure rail N-2 to panels 22/23 with screw E.







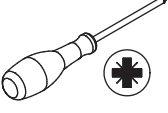
31



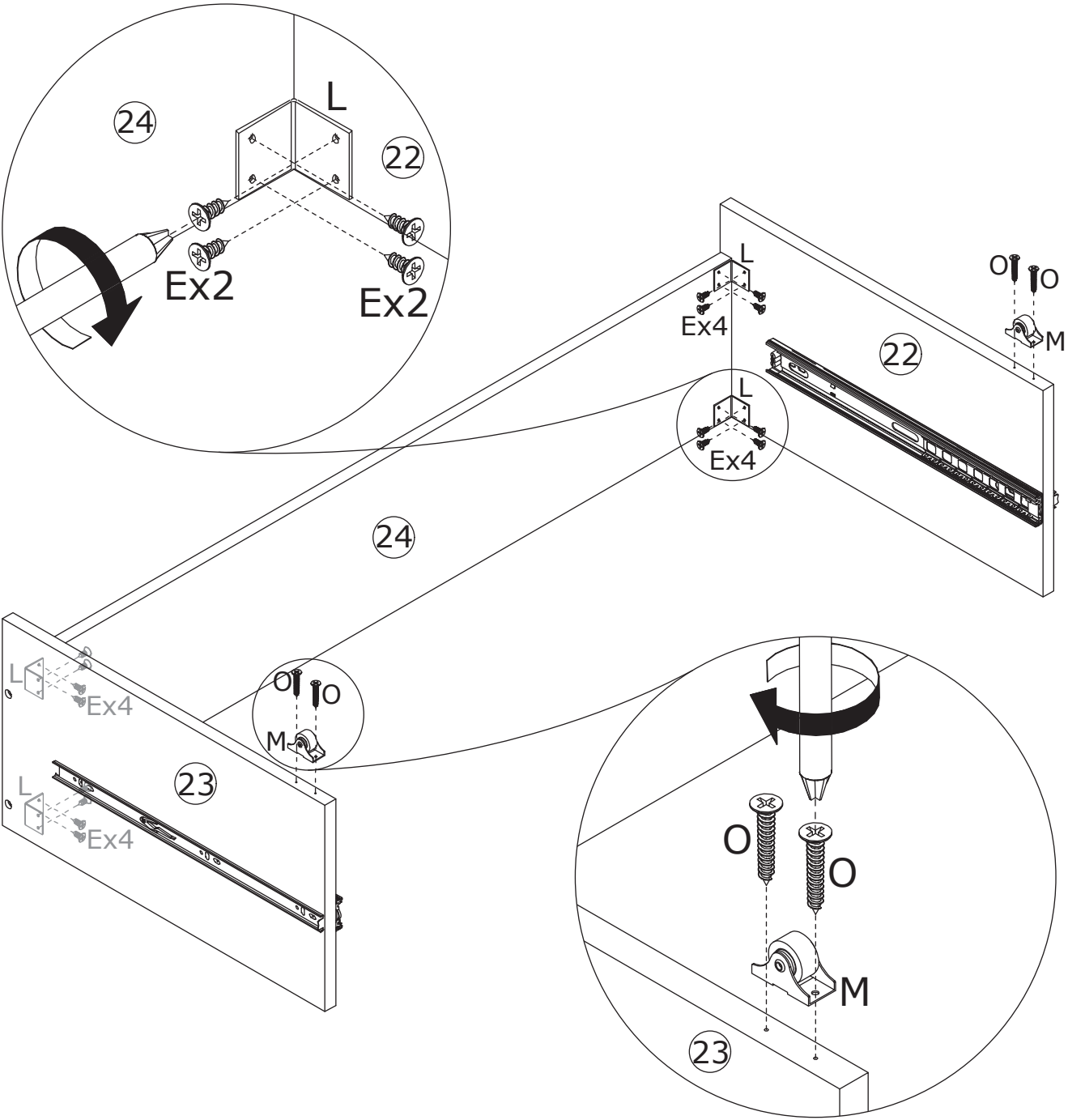
Insert wood dowel C into panel 24.
Place nut J into panel 24, connect
panels 22/23 to panel 24, then tighten
with screw H using wrench K.



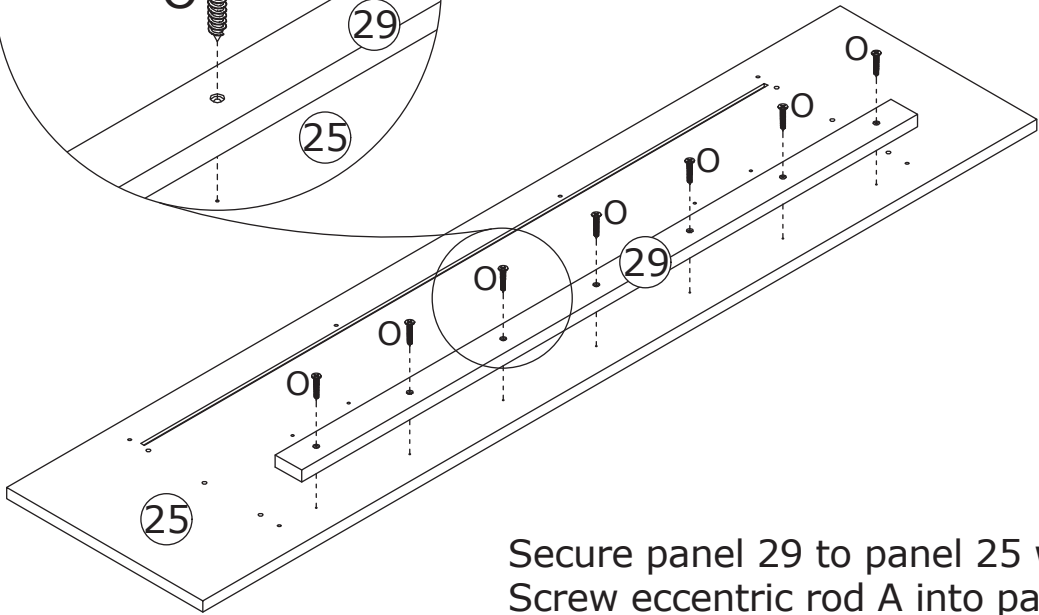
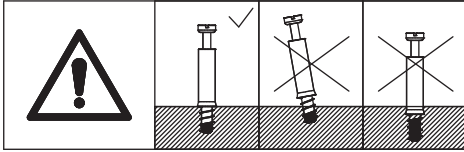
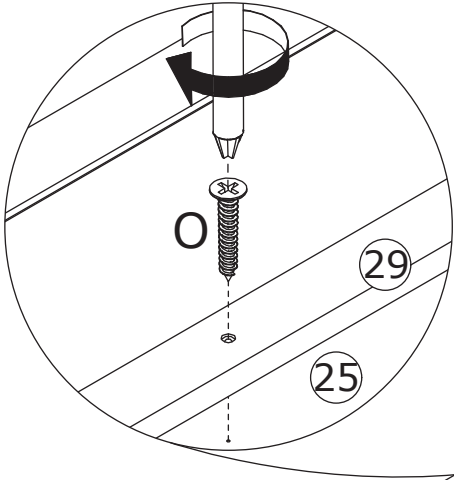
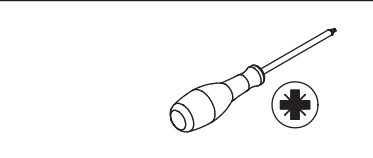
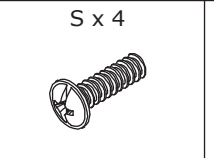
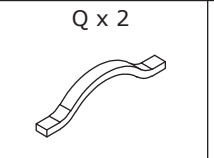
32

E x 16  Ø 3.5 x 14 mm	L x 4 	M x 2 	O x 4  Ø 4 x 25 mm	
--	--	--	--	---

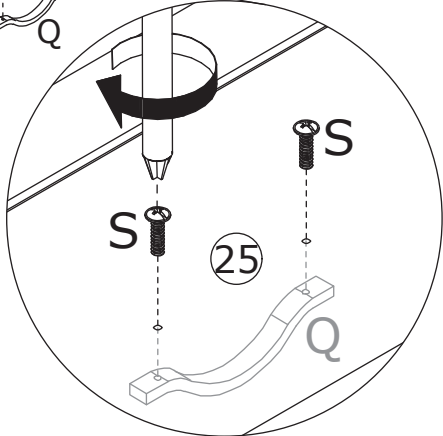
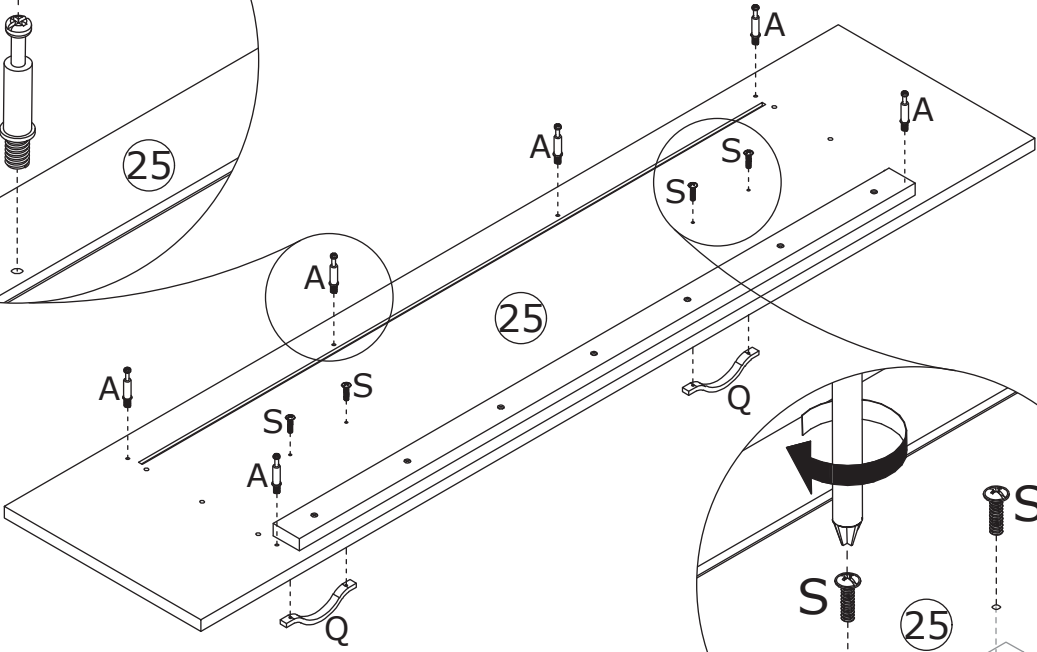
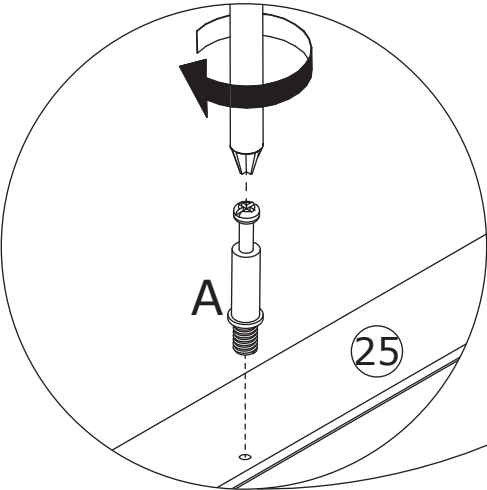
Secure accessory M to panels 22/23 with screw O.
Fix accessory L to panels 22/23/24 with screw E.







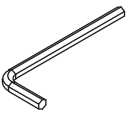
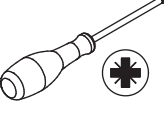
33

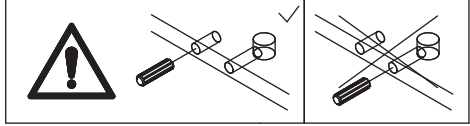


Secure panel 29 to panel 25 with screw O.
Screw eccentric rod A into panel 25.
Attach handle Q to panel 25 with screw S.

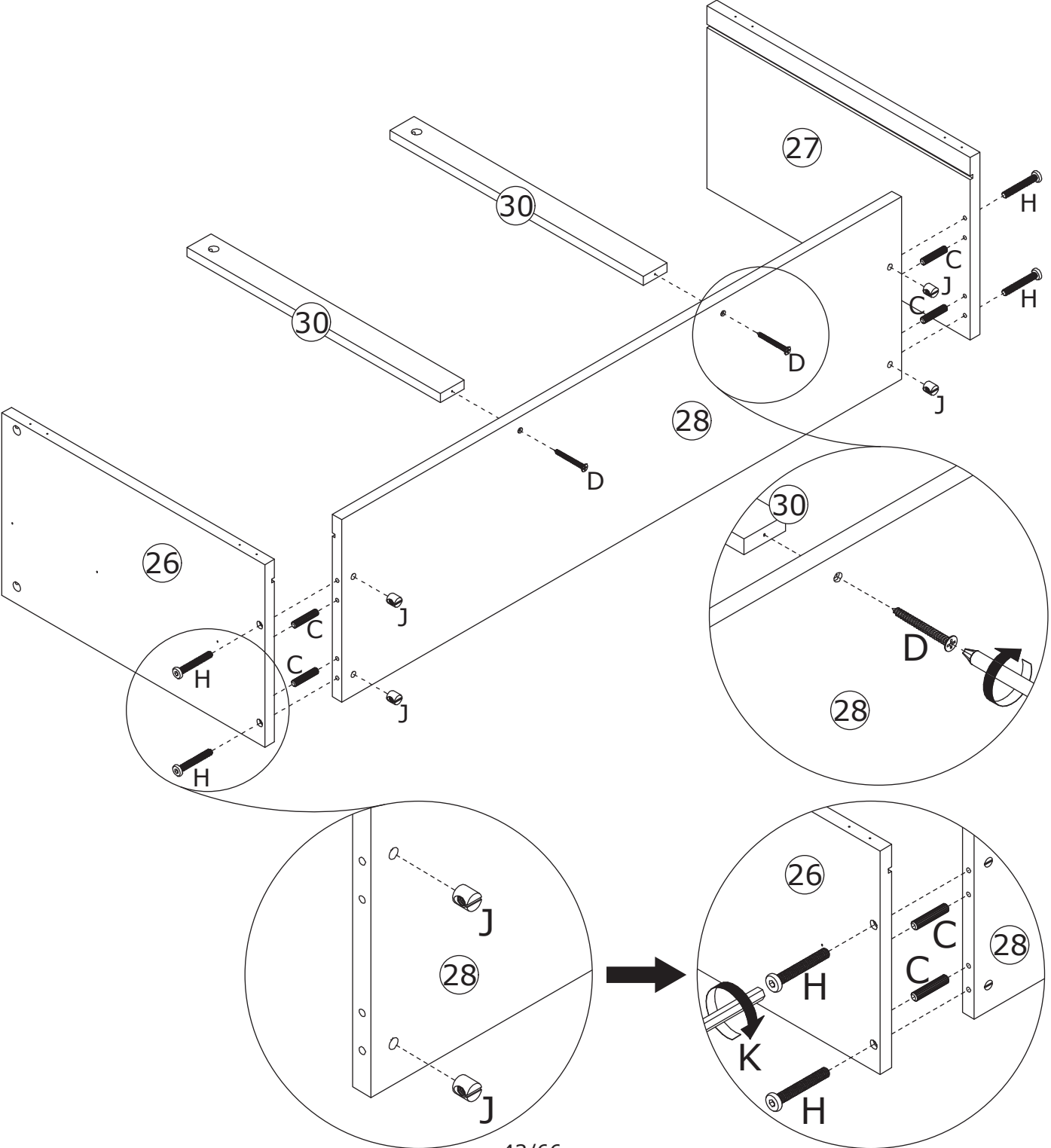


34

<p>C x 4</p>  <p>∅6 x 30 mm</p>	<p>D x 2</p>  <p>∅4 x 40 mm</p>	<p>H x 4</p>  <p>∅6 x 40 mm</p>	<p>J x 4</p> 	<p>K x 1</p> 	
--	--	--	---	--	---

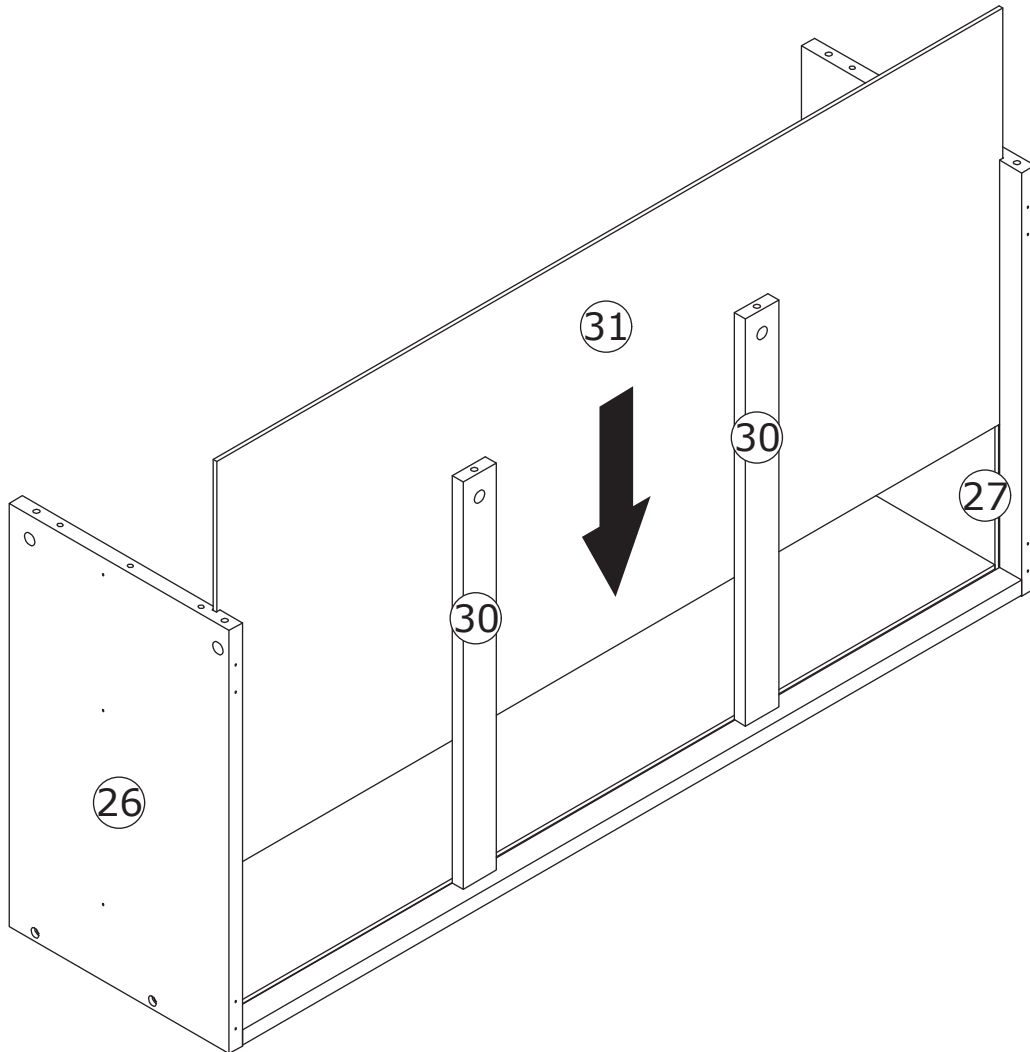


Place nut J into panel 28. Connect panels 26/27 to panel 21, then tighten with screw H using wrench K. Secure two panels 30 to panel 28 with screw D.



35

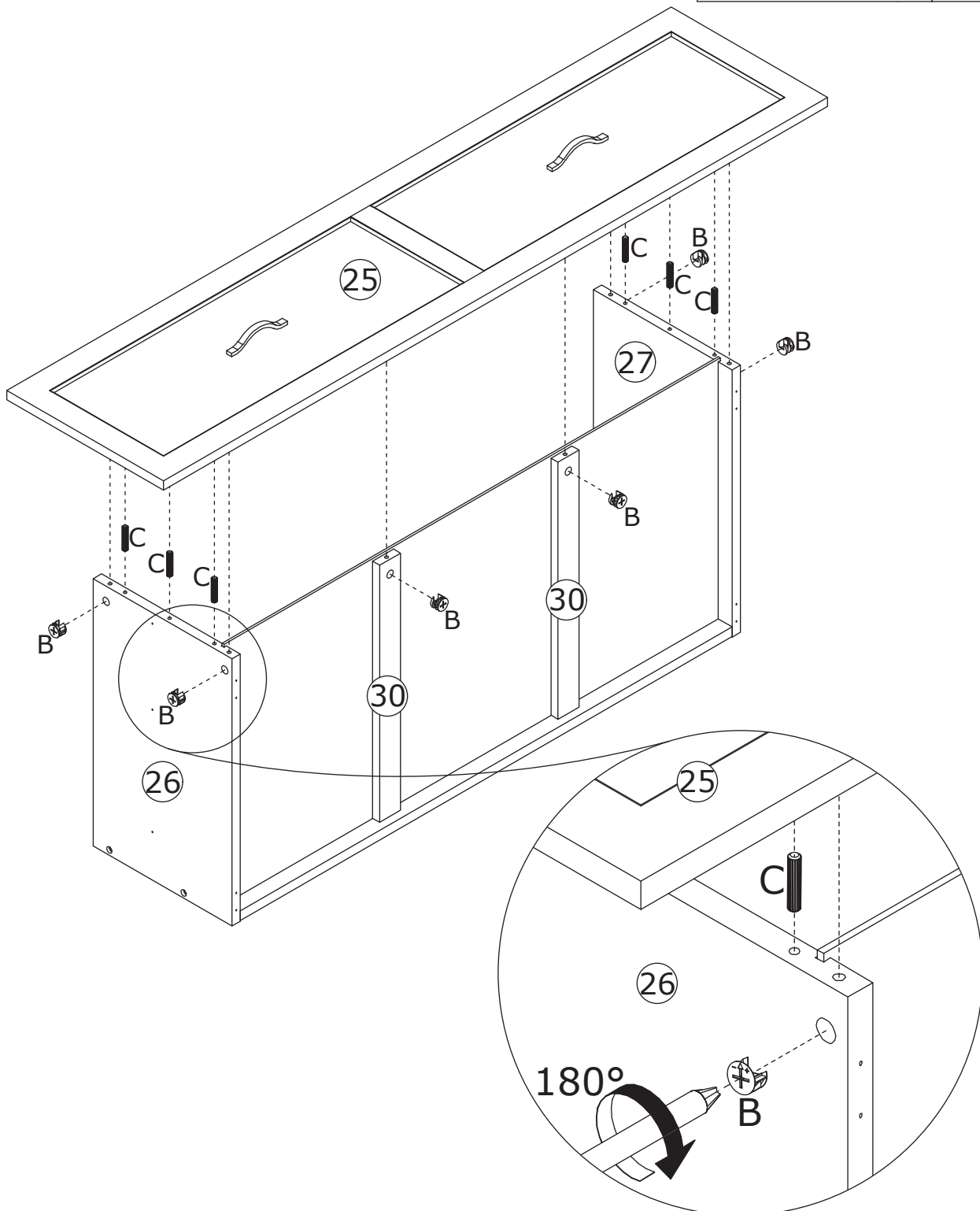
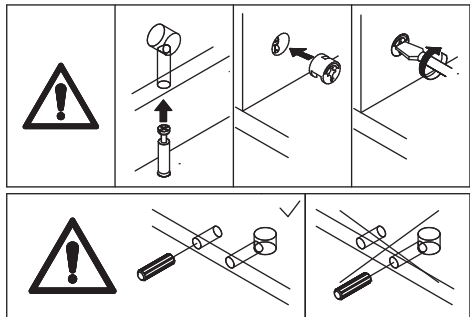
Install back panel 31.



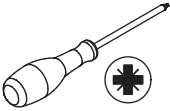
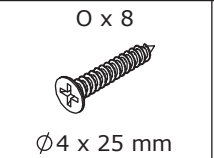
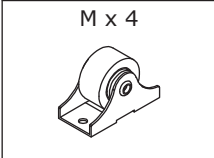
36



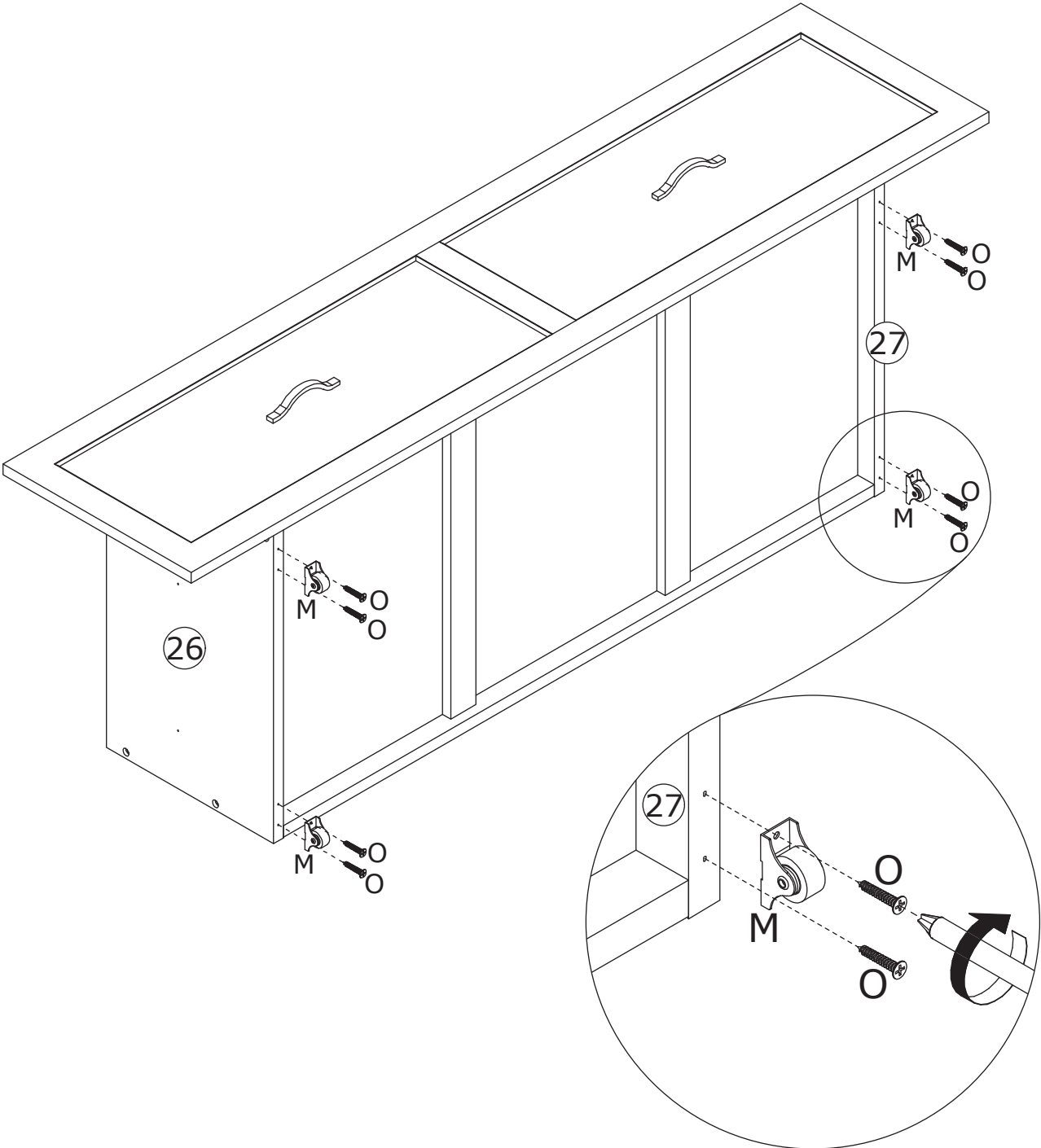
Insert wood dowels C into panels 26/27.
Connect panel 25 to panels 26/27 and two
panels 30, then lock with eccentric wheel B.



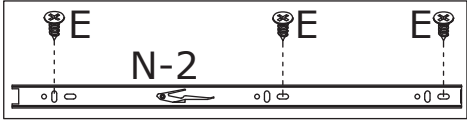
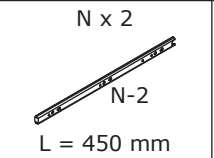
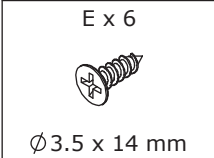
37



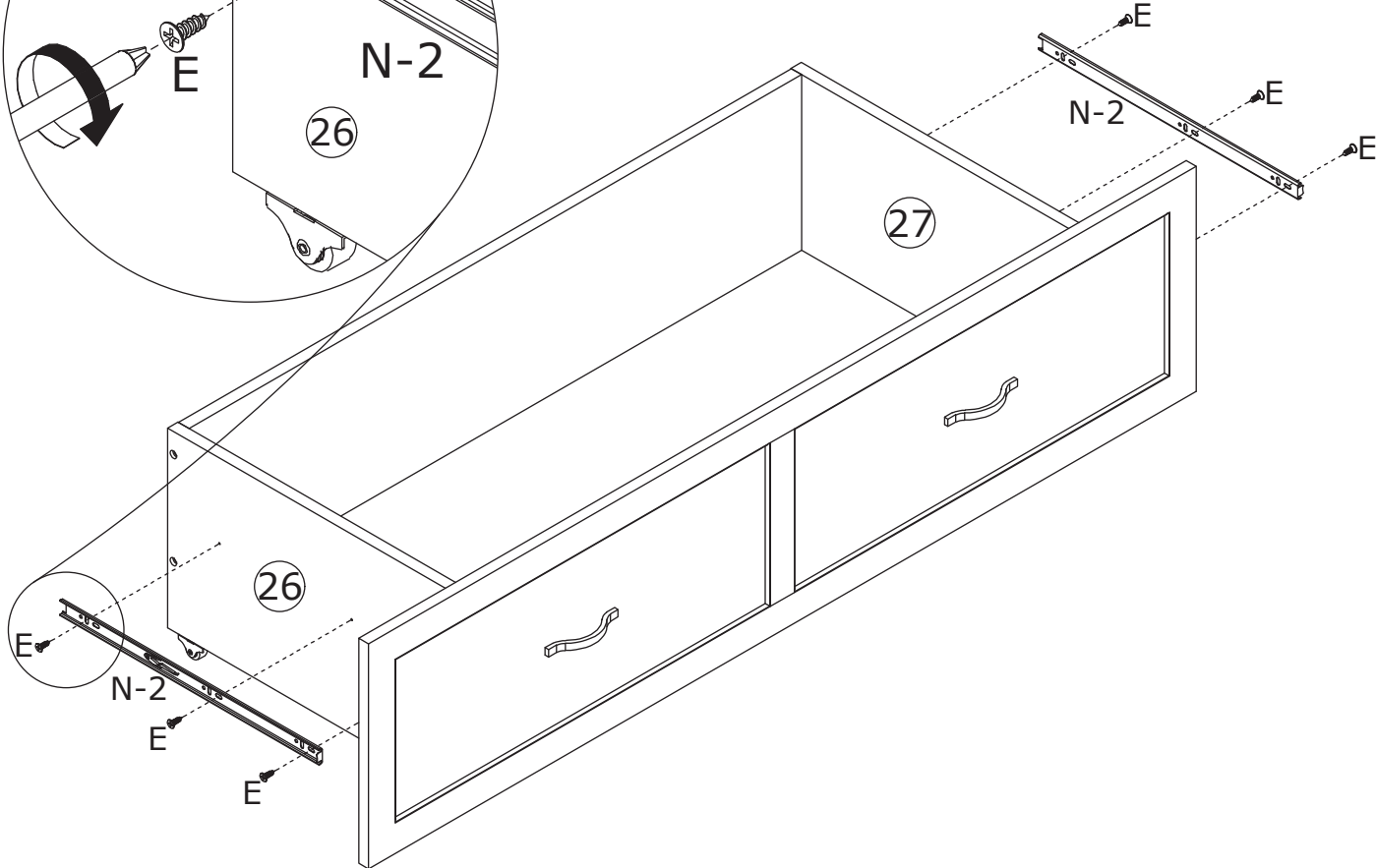
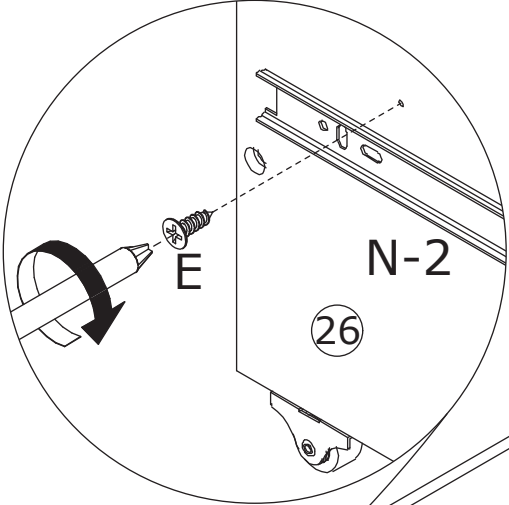
Secure accessory M to panels 26/27 with screw O.



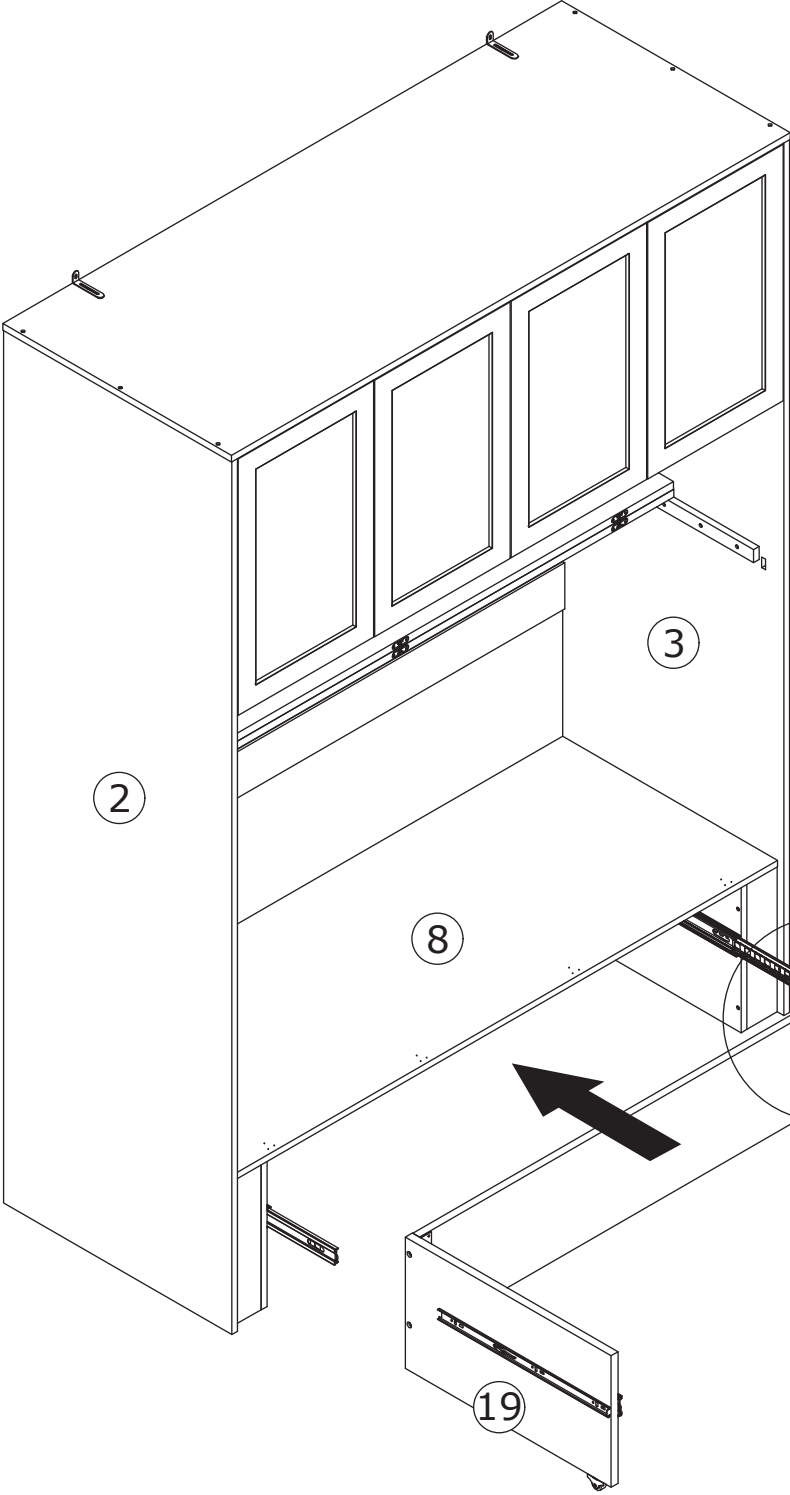
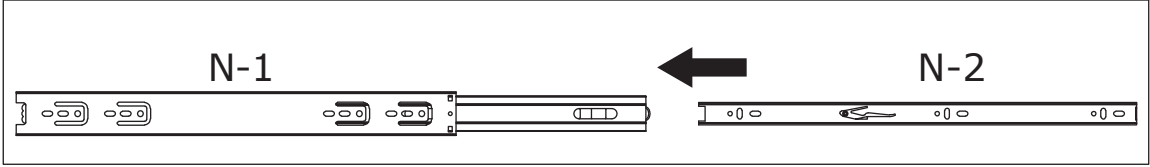
38



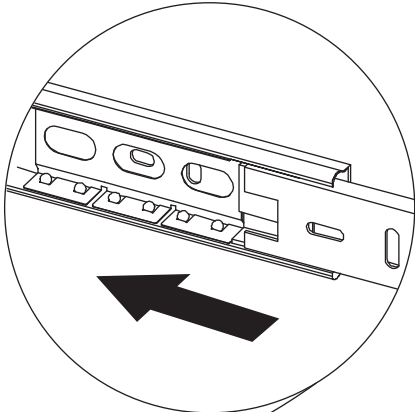
Secure rail N-2 to panels 26/27 with screw E.



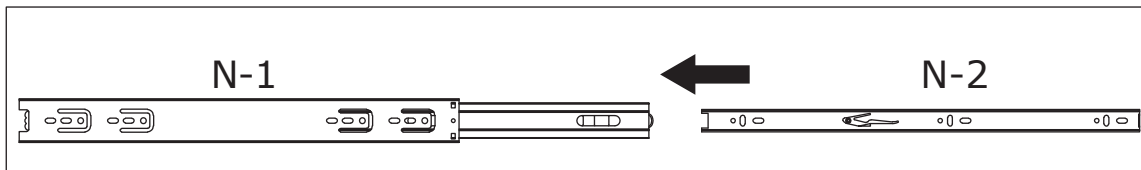
39



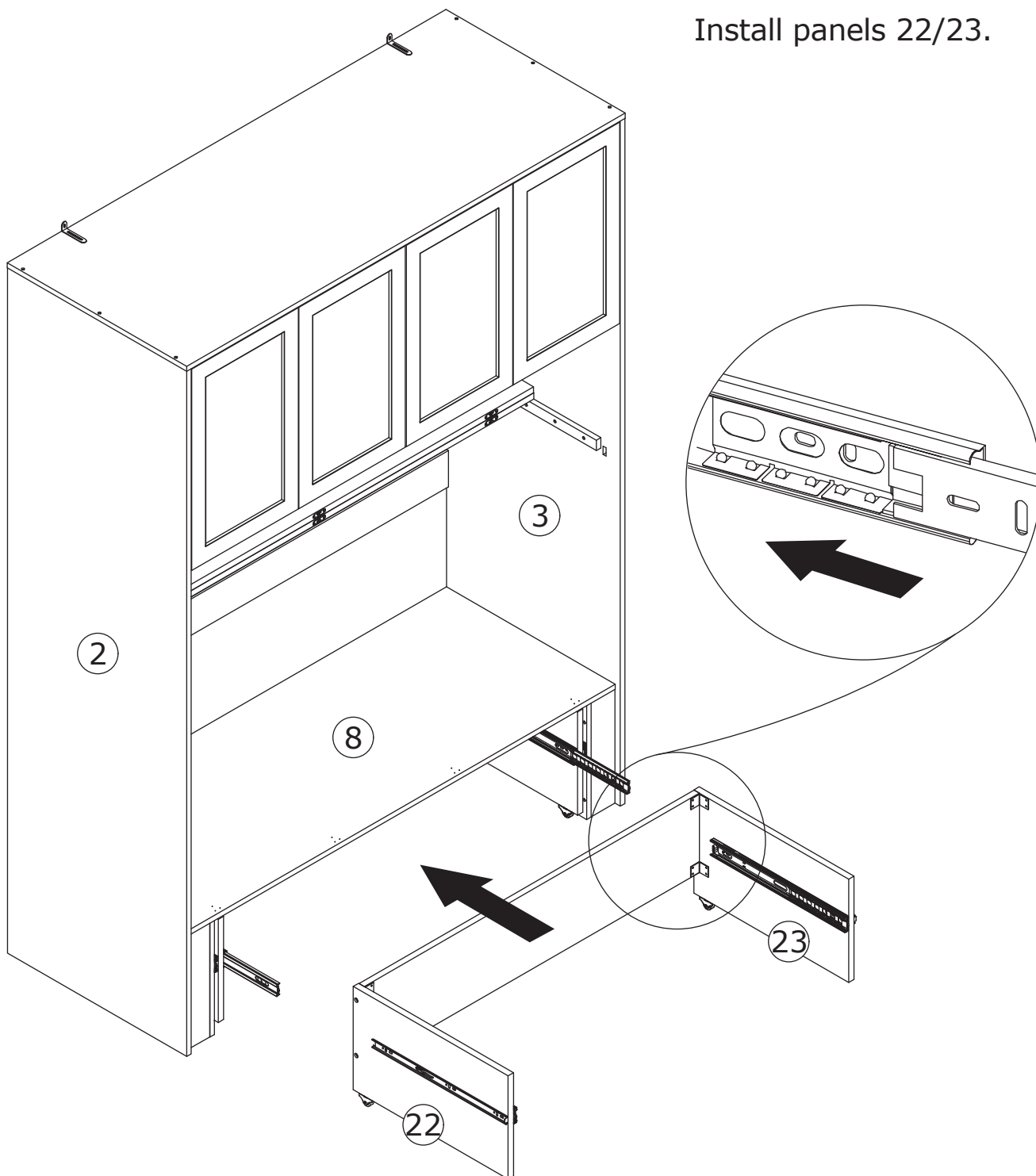
Install panels 19/20.



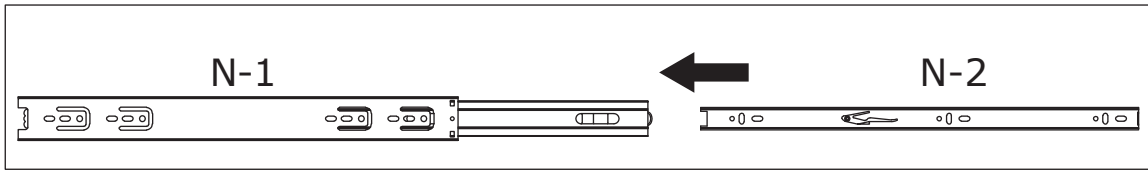
40



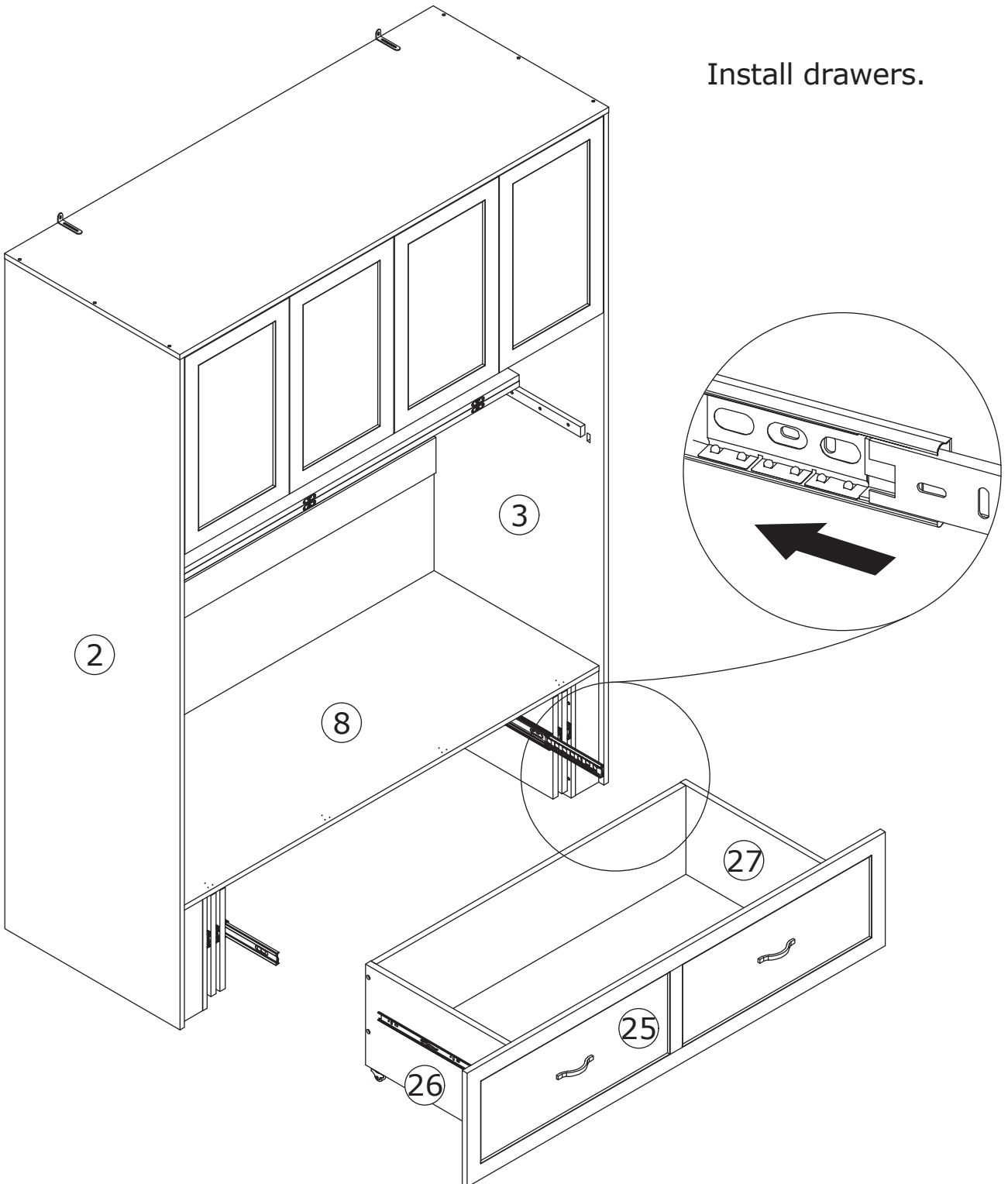
Install panels 22/23.



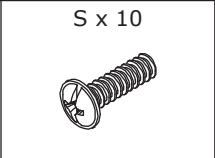
41



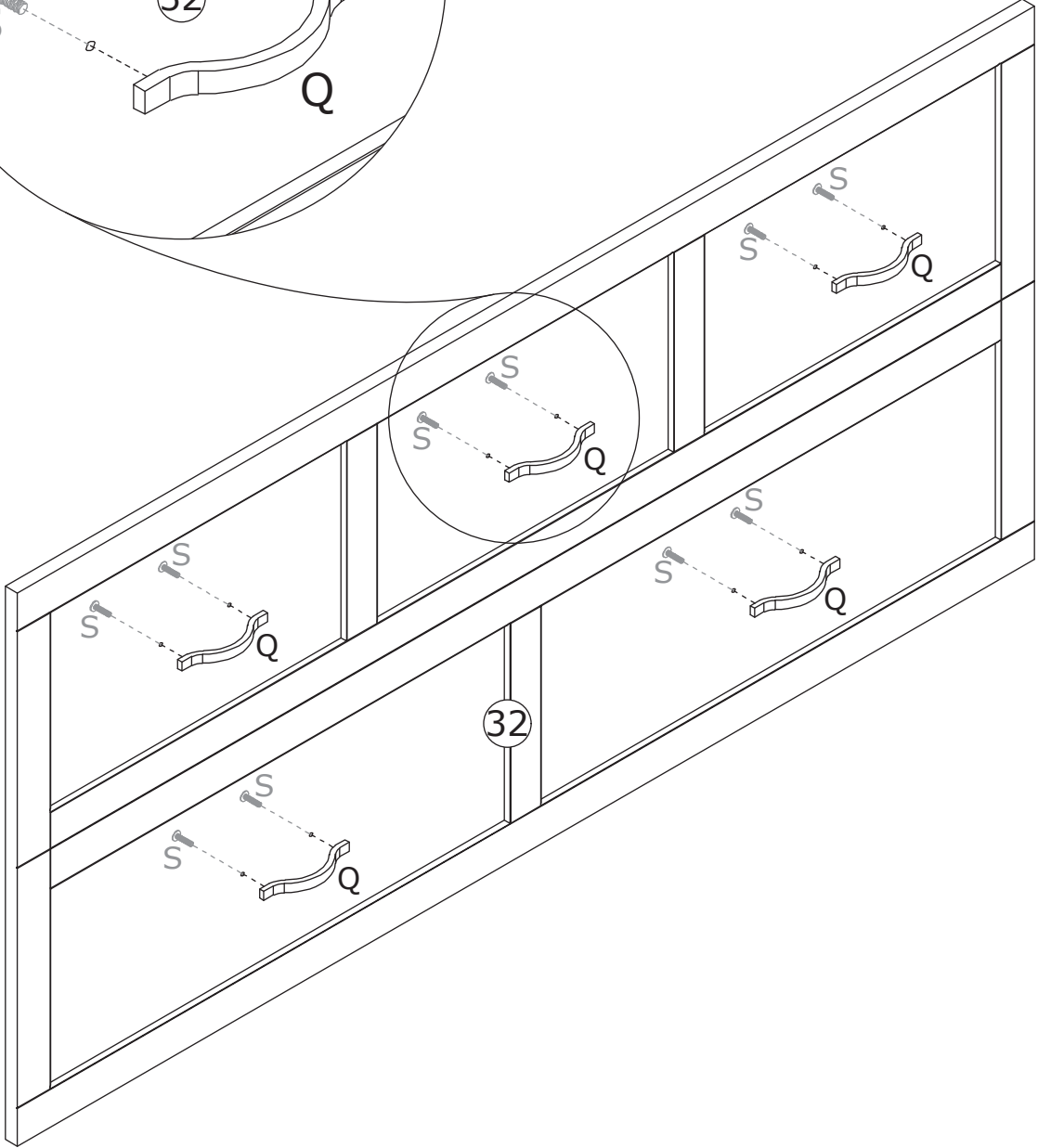
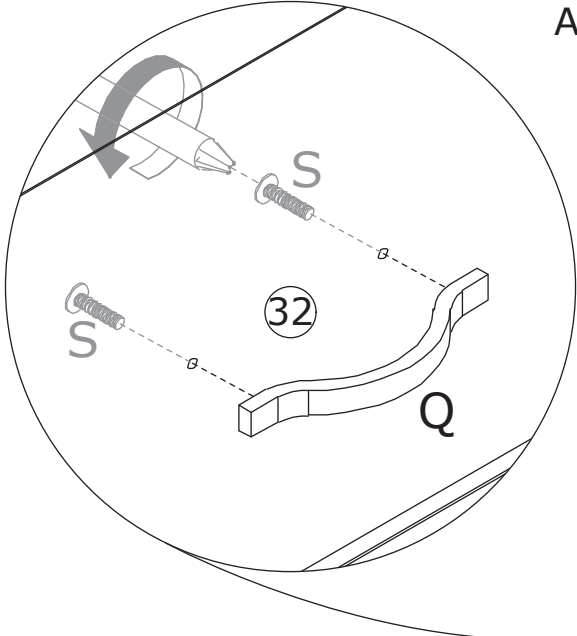
Install drawers.



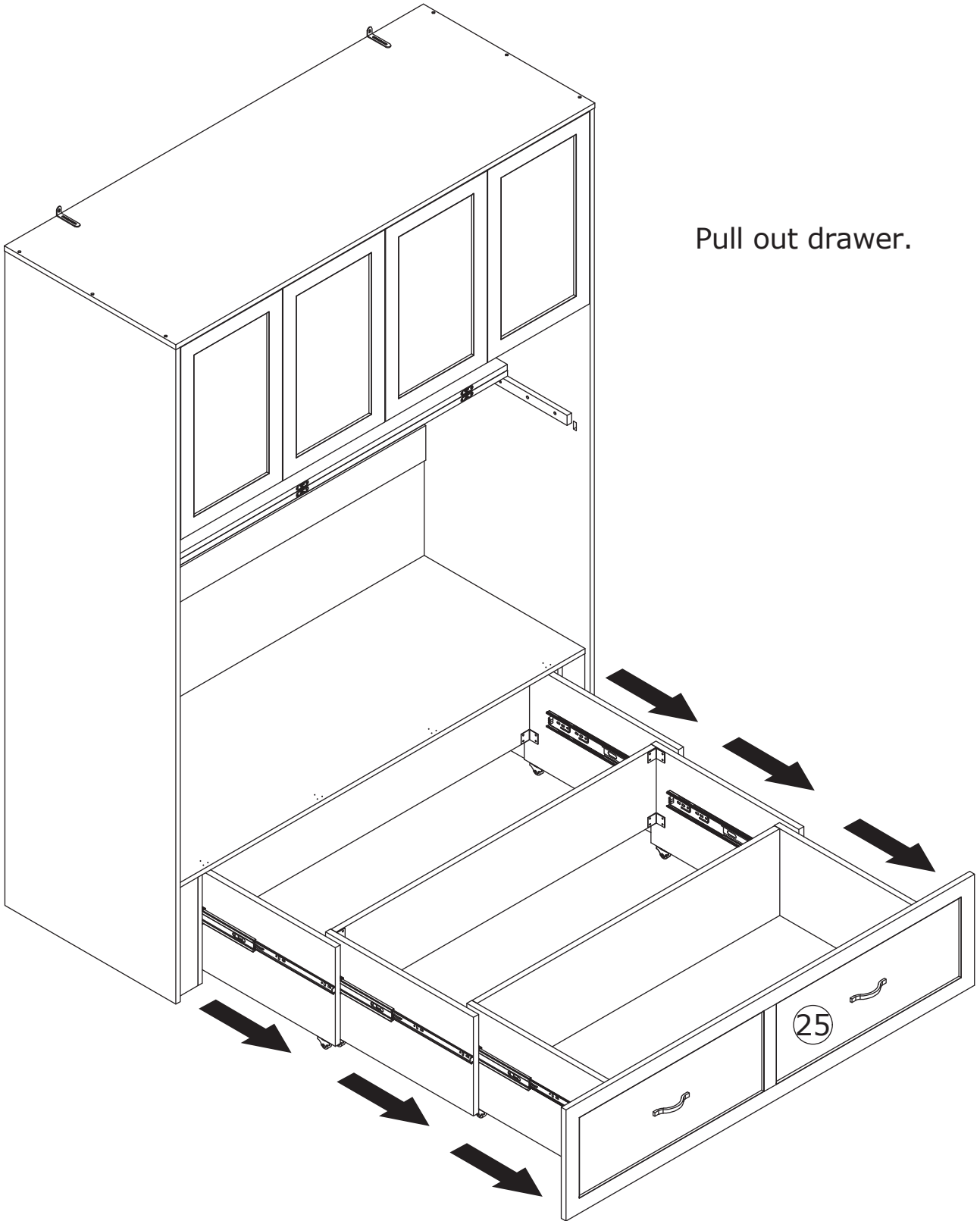
42



Attach handle Q to panel 32 with screw S.



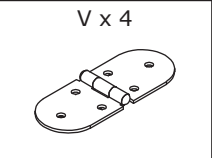
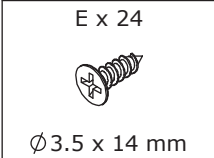
43



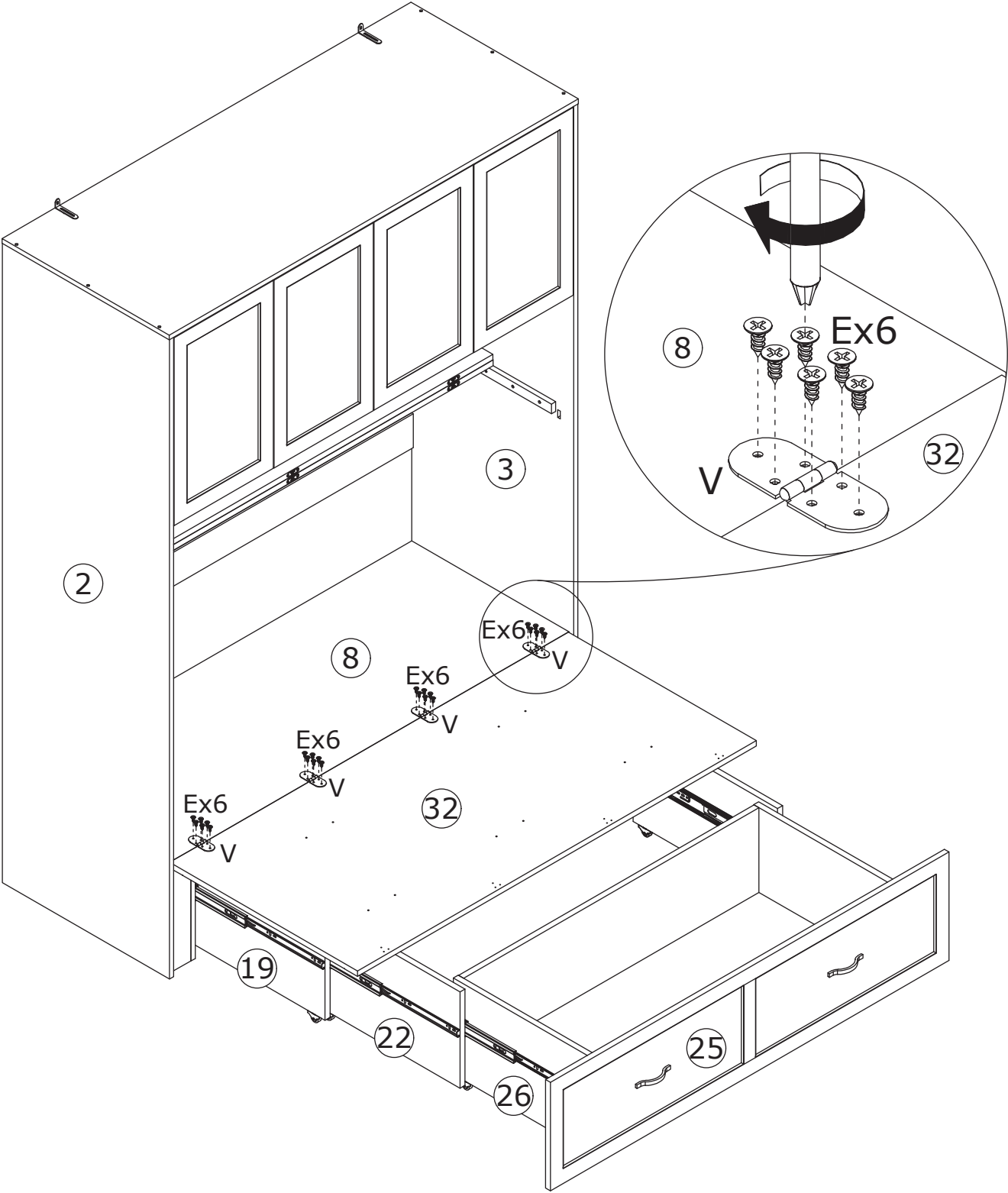
Pull out drawer.

25

44



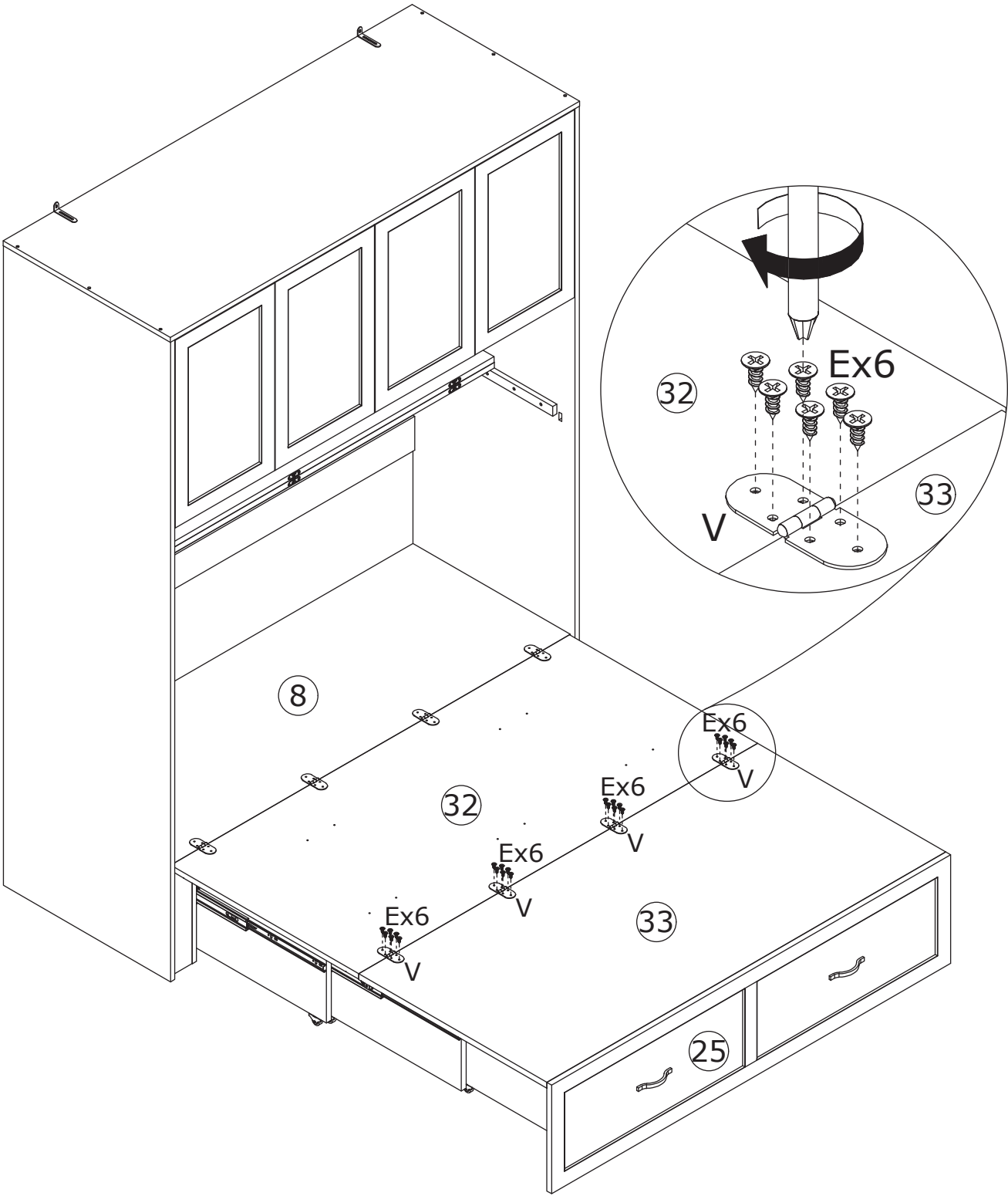
Secure accessory V to panels 8/32 with screw E.



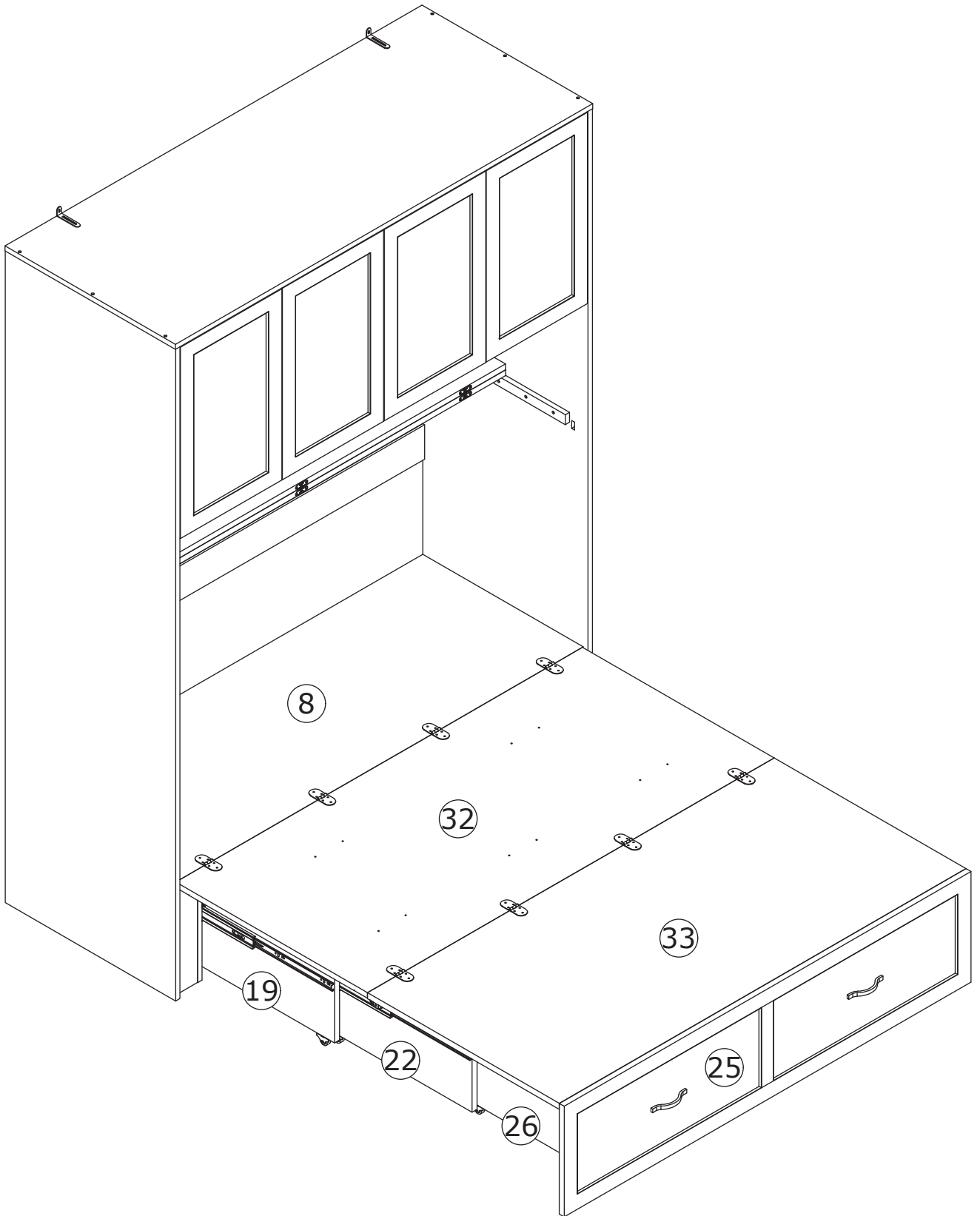
45

<p>E x 24</p>  <p>Ø 3.5 x 14 mm</p>	<p>V x 4</p> 	
--	--	---

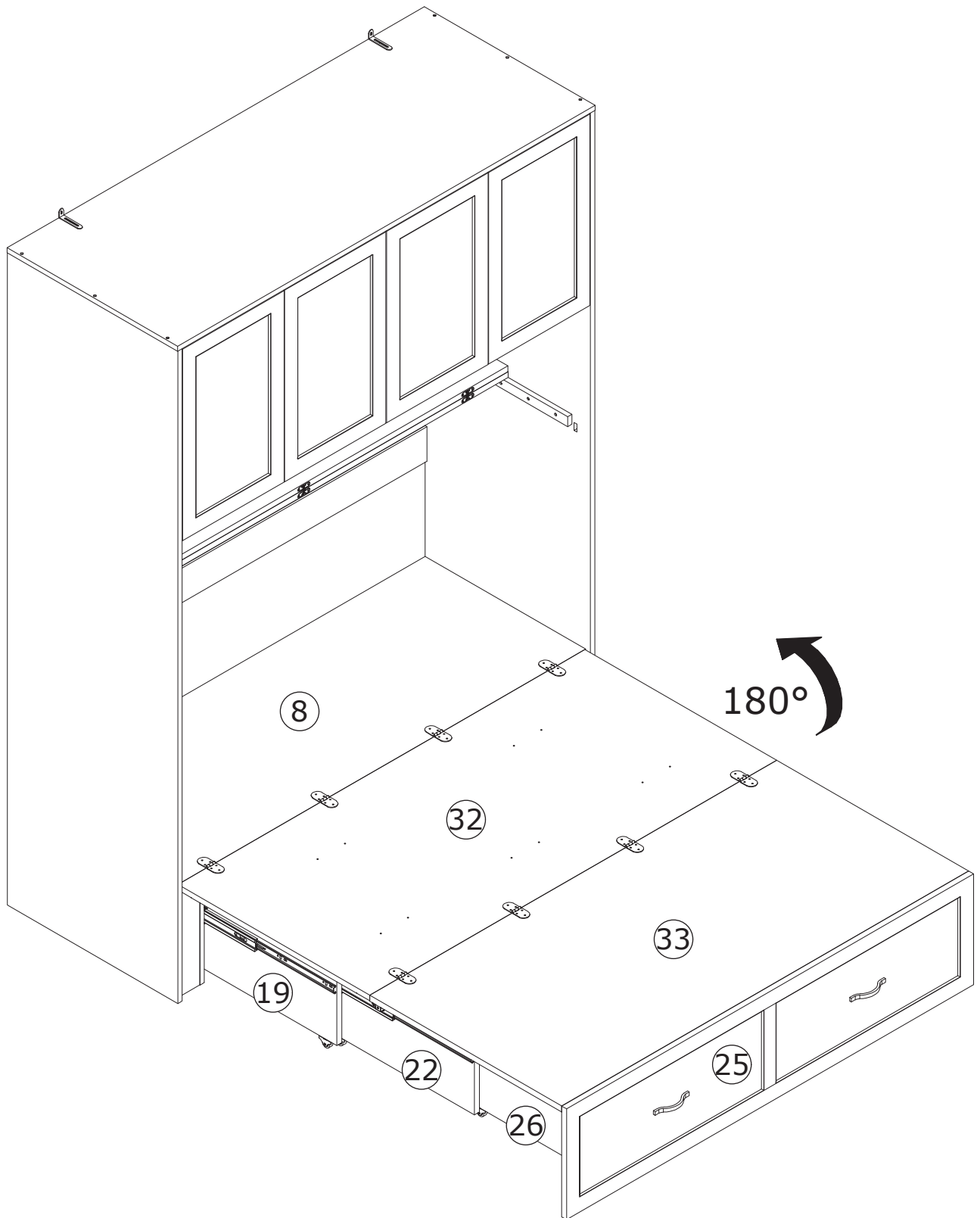
Secure accessory V to panels 32/33 with screw E.



46



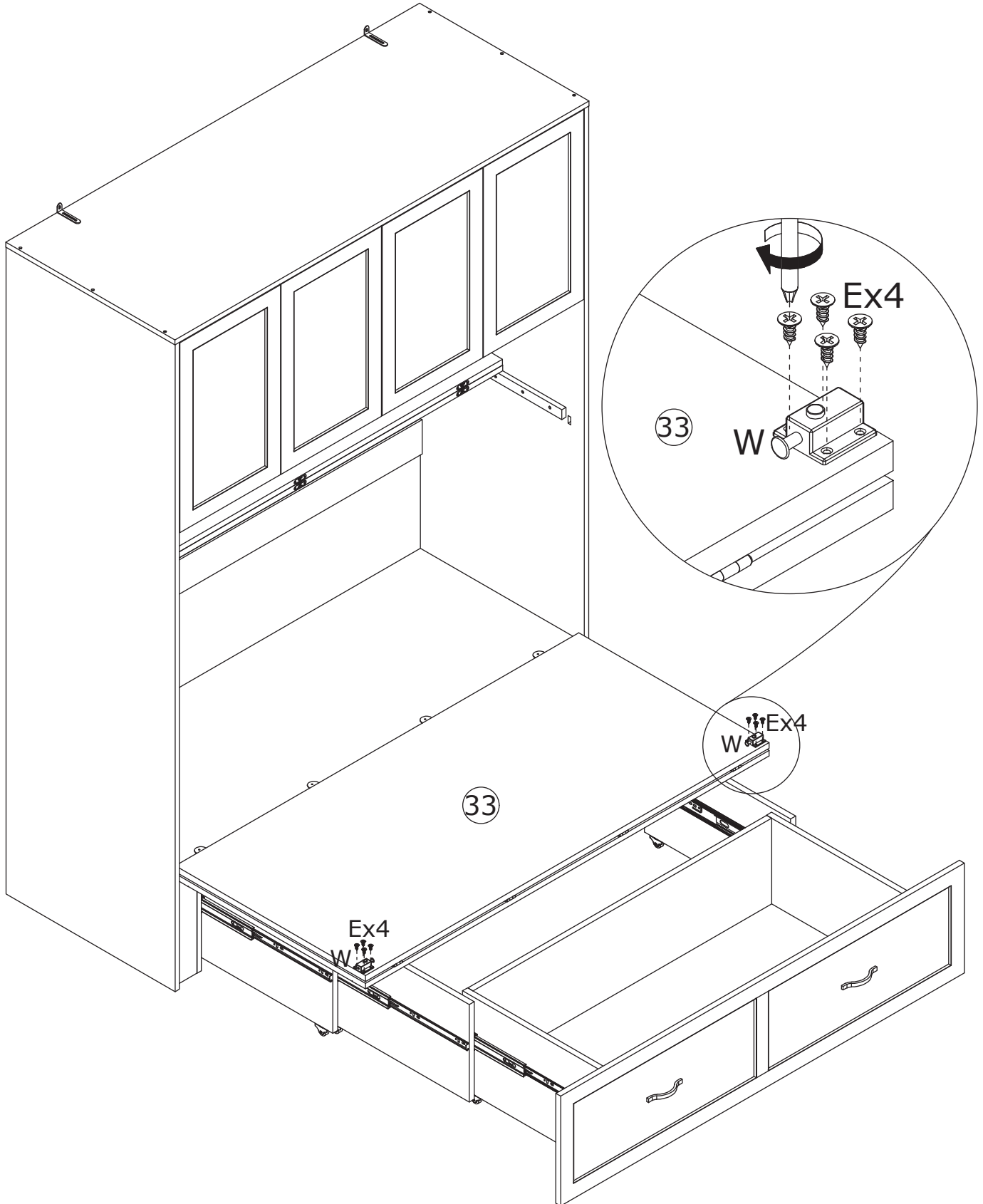
47



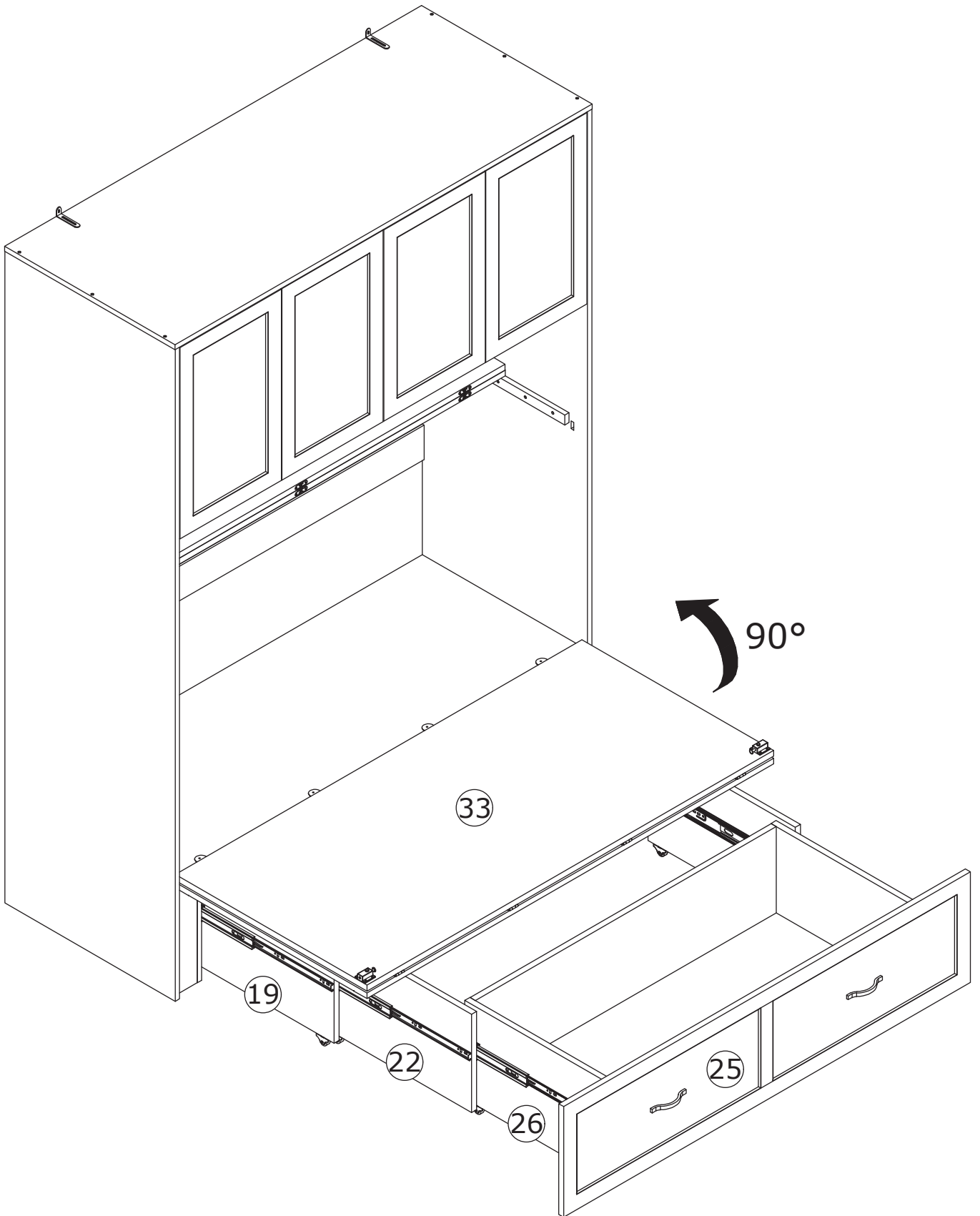
48

<p>E x 8</p>  <p>Ø 3.5 x 14 mm</p>	<p>W x 2</p> 	
---	--	---

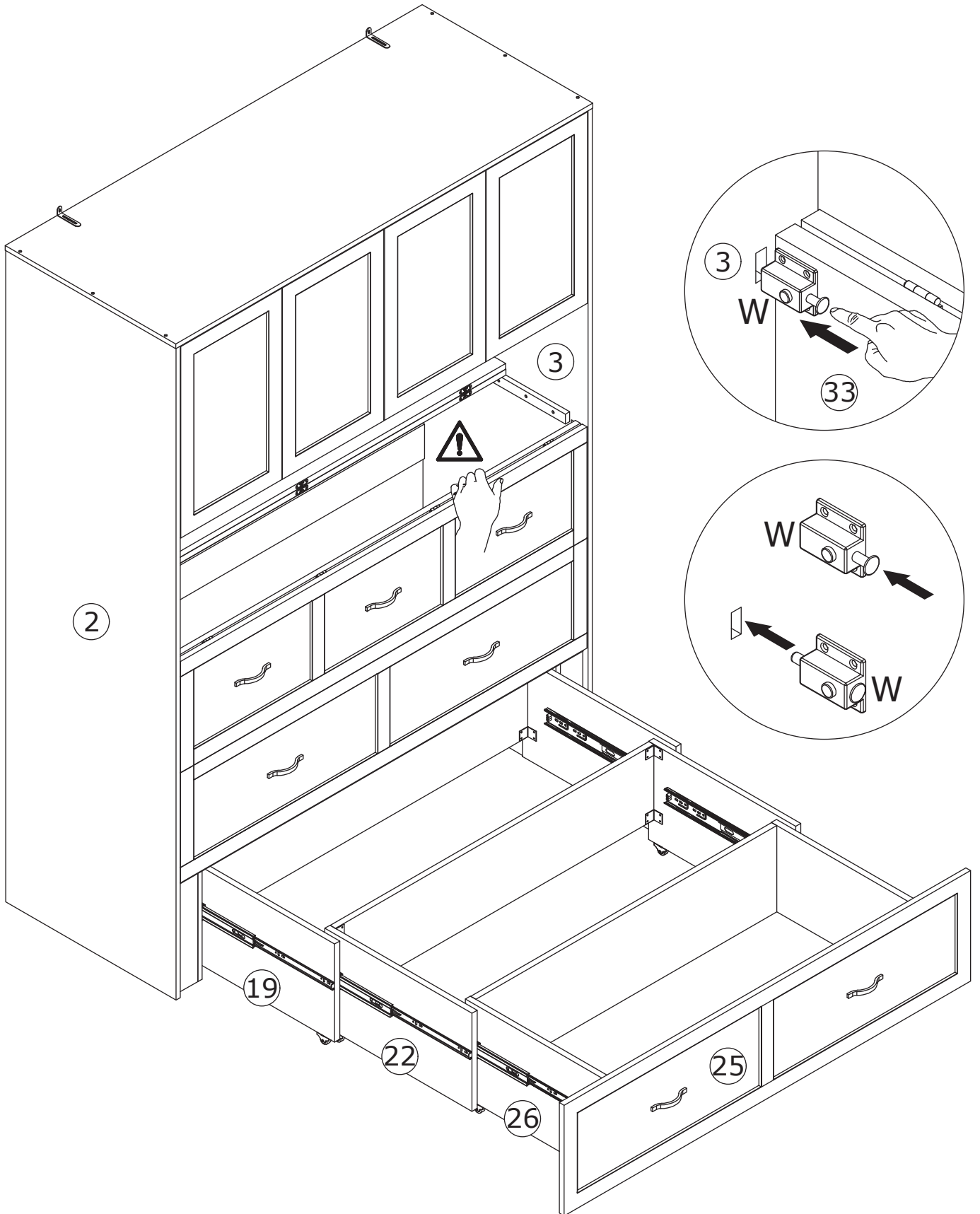
Secure accessory W to panel 33 with screw E.



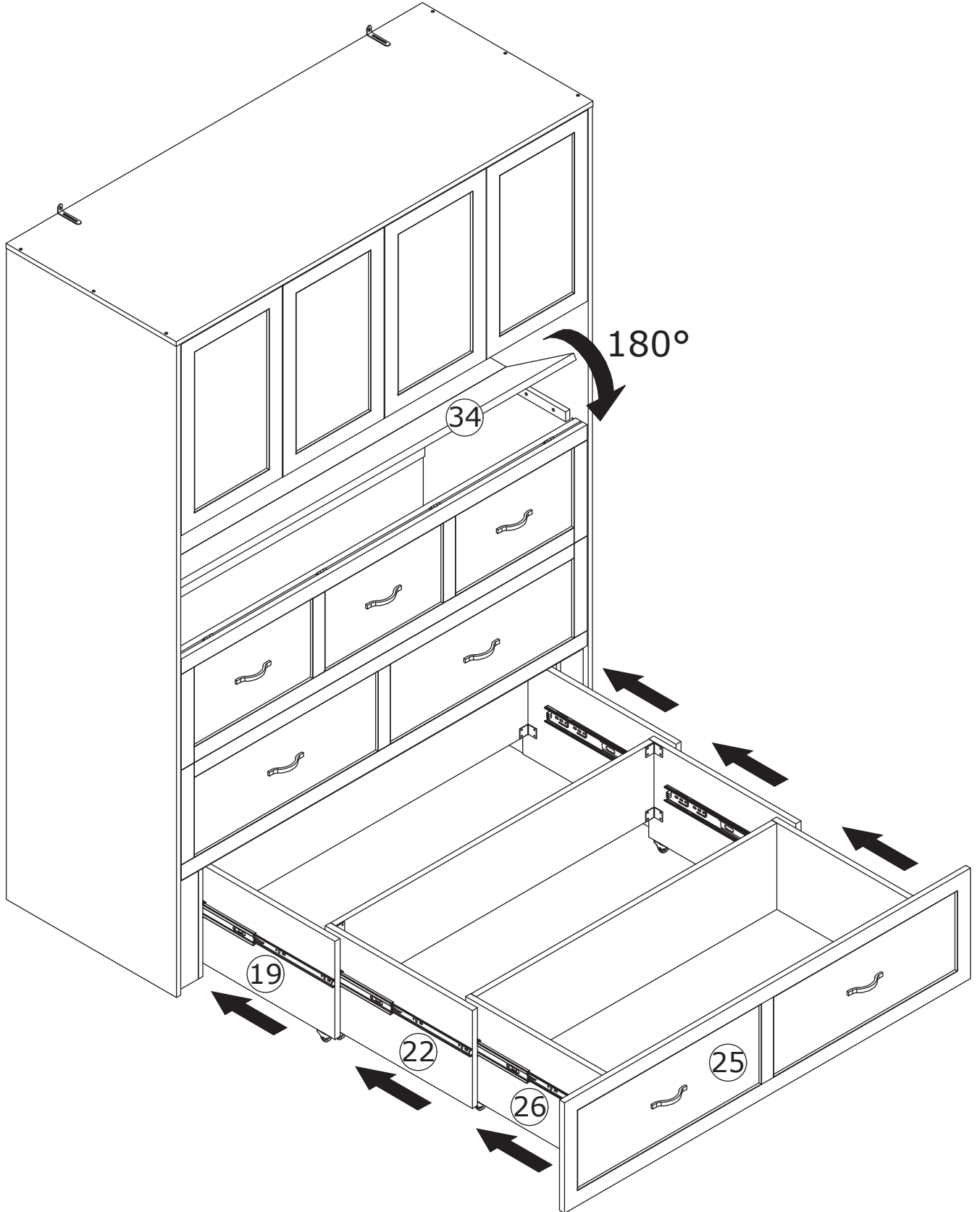
49



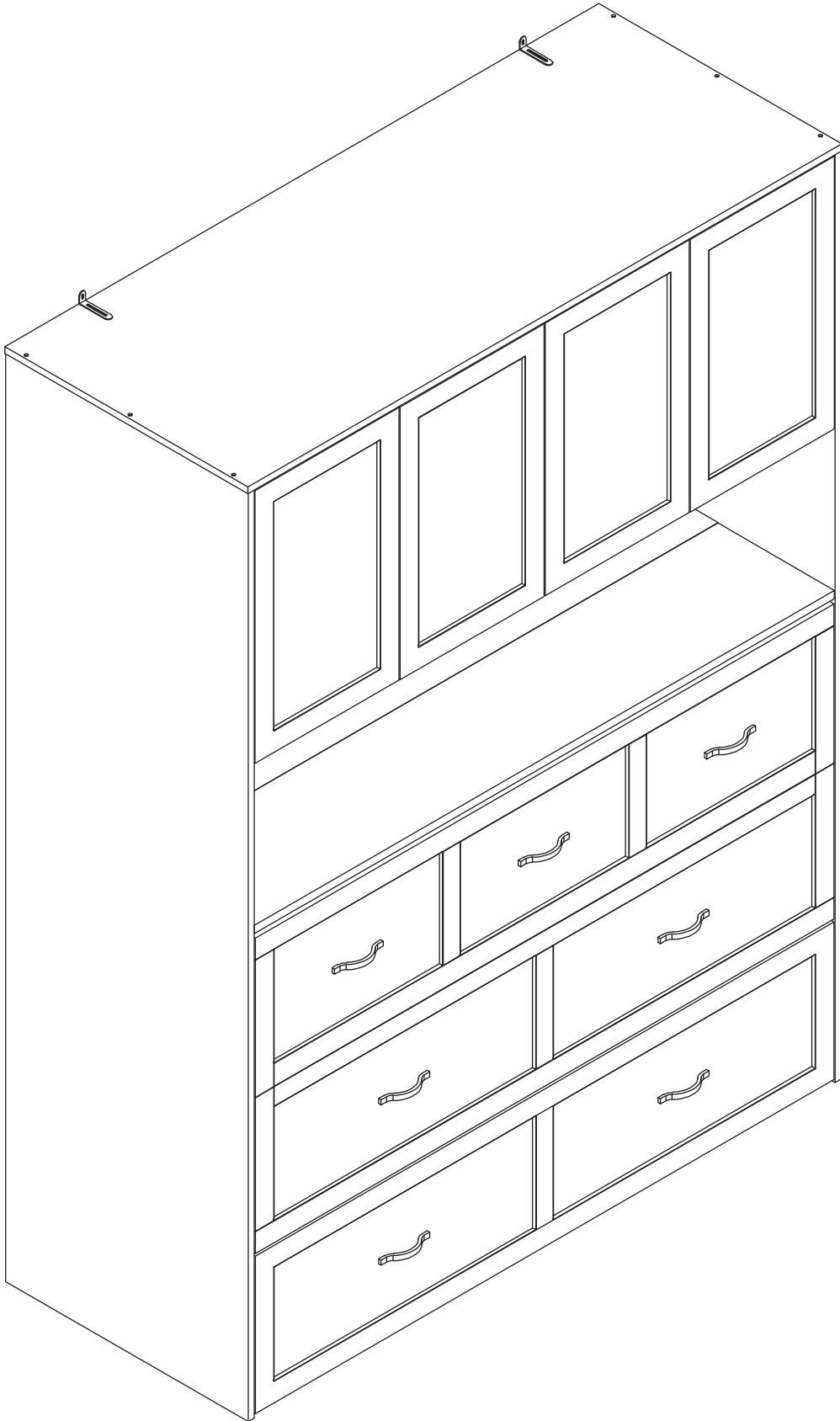
50



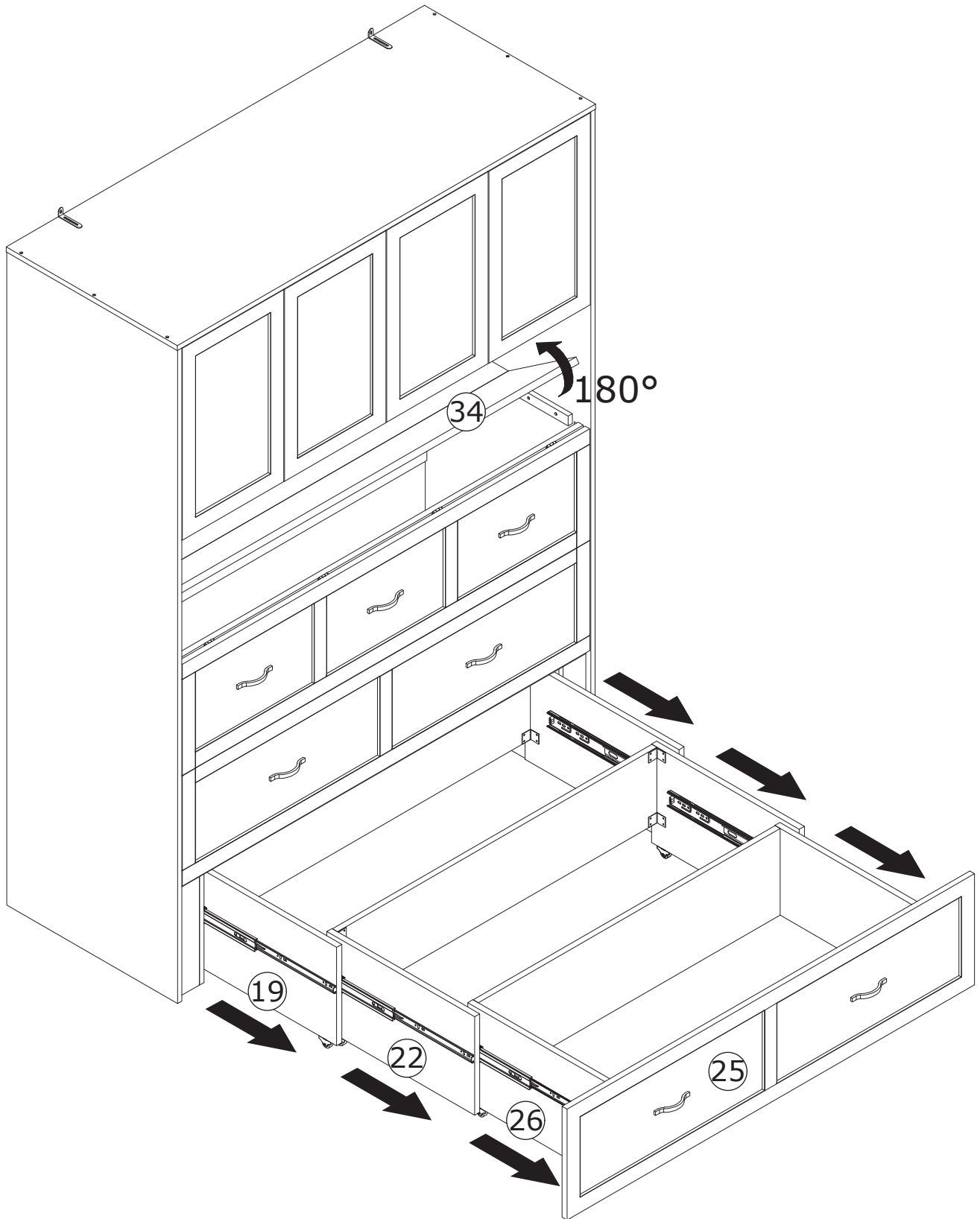
51

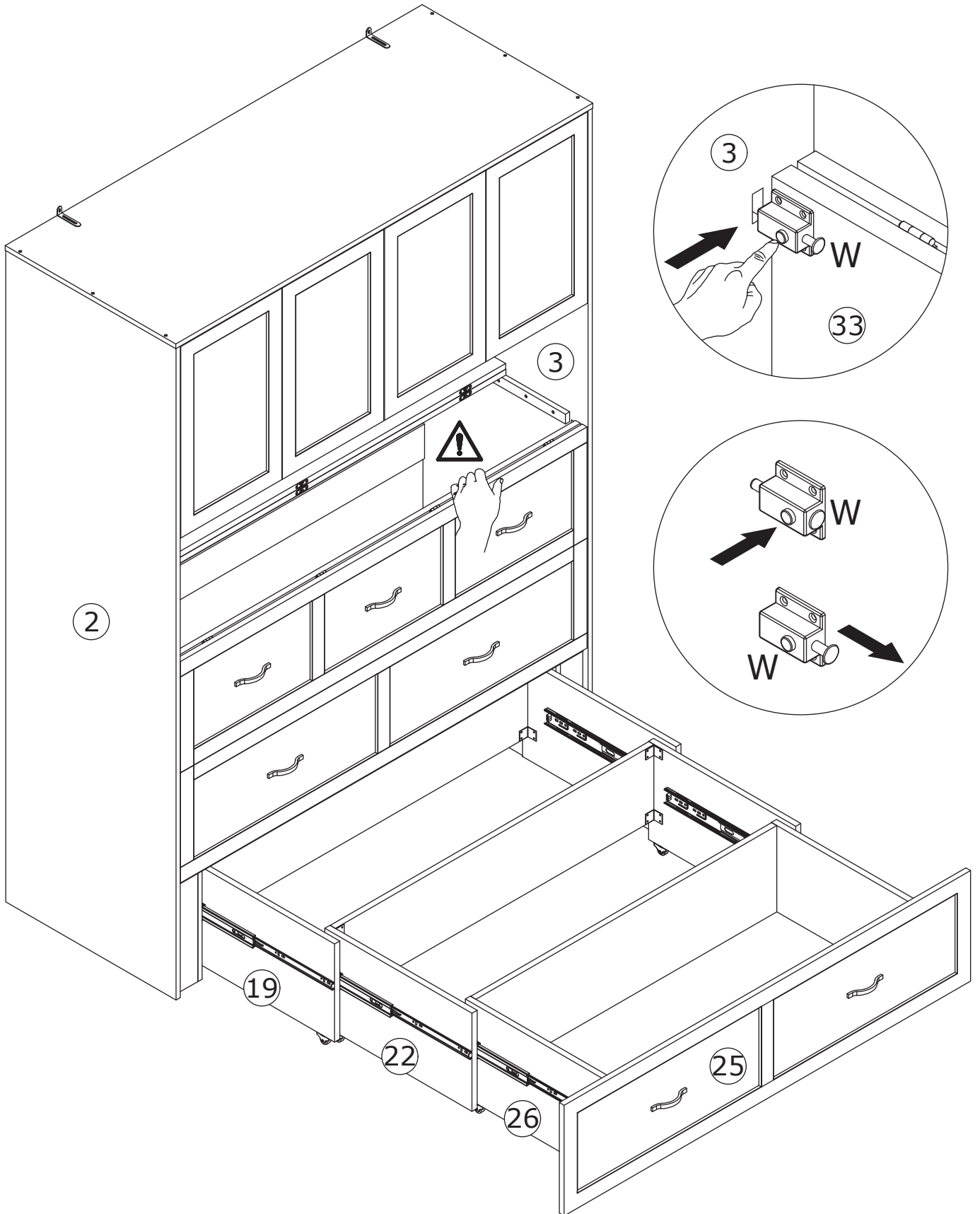


52

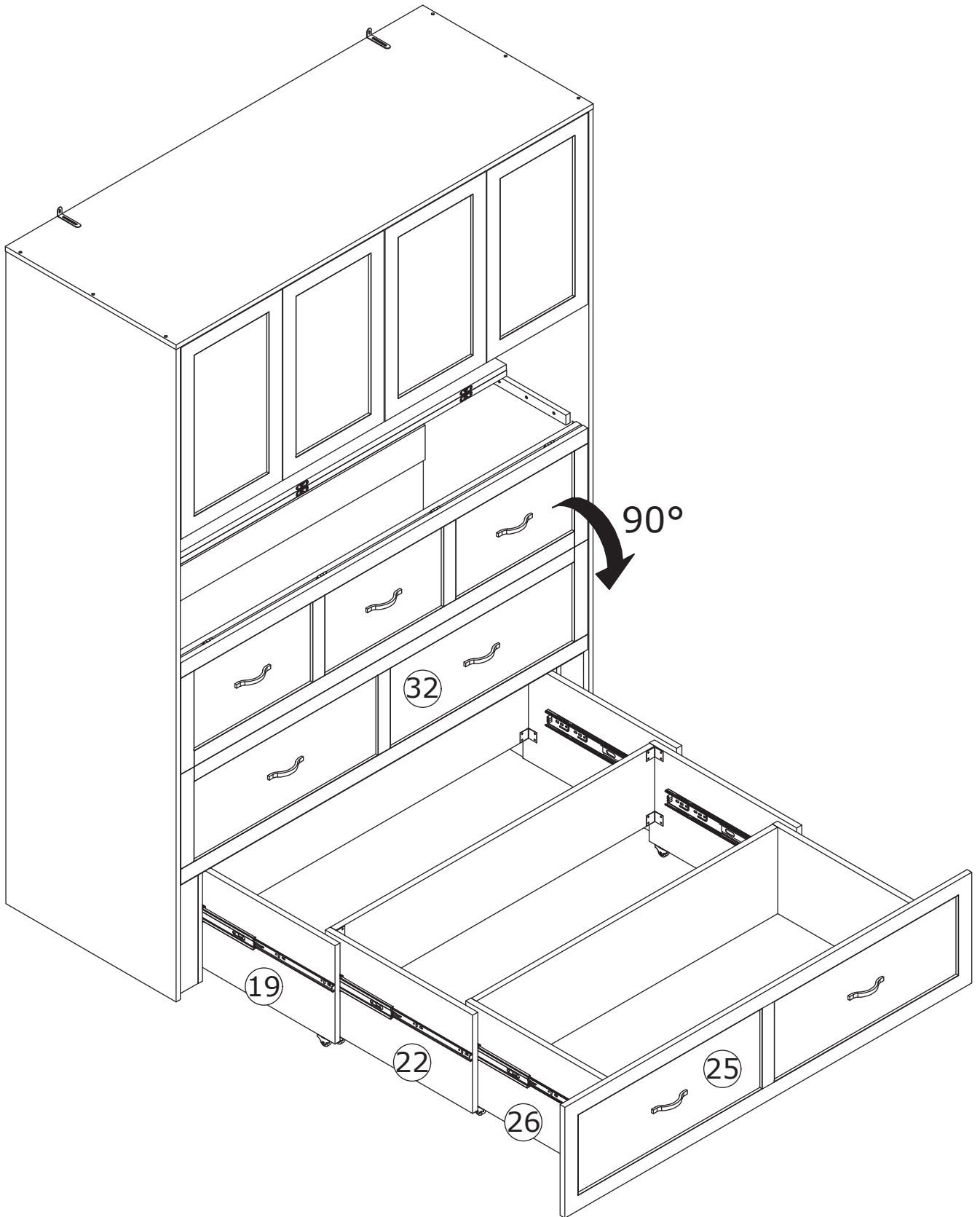


53

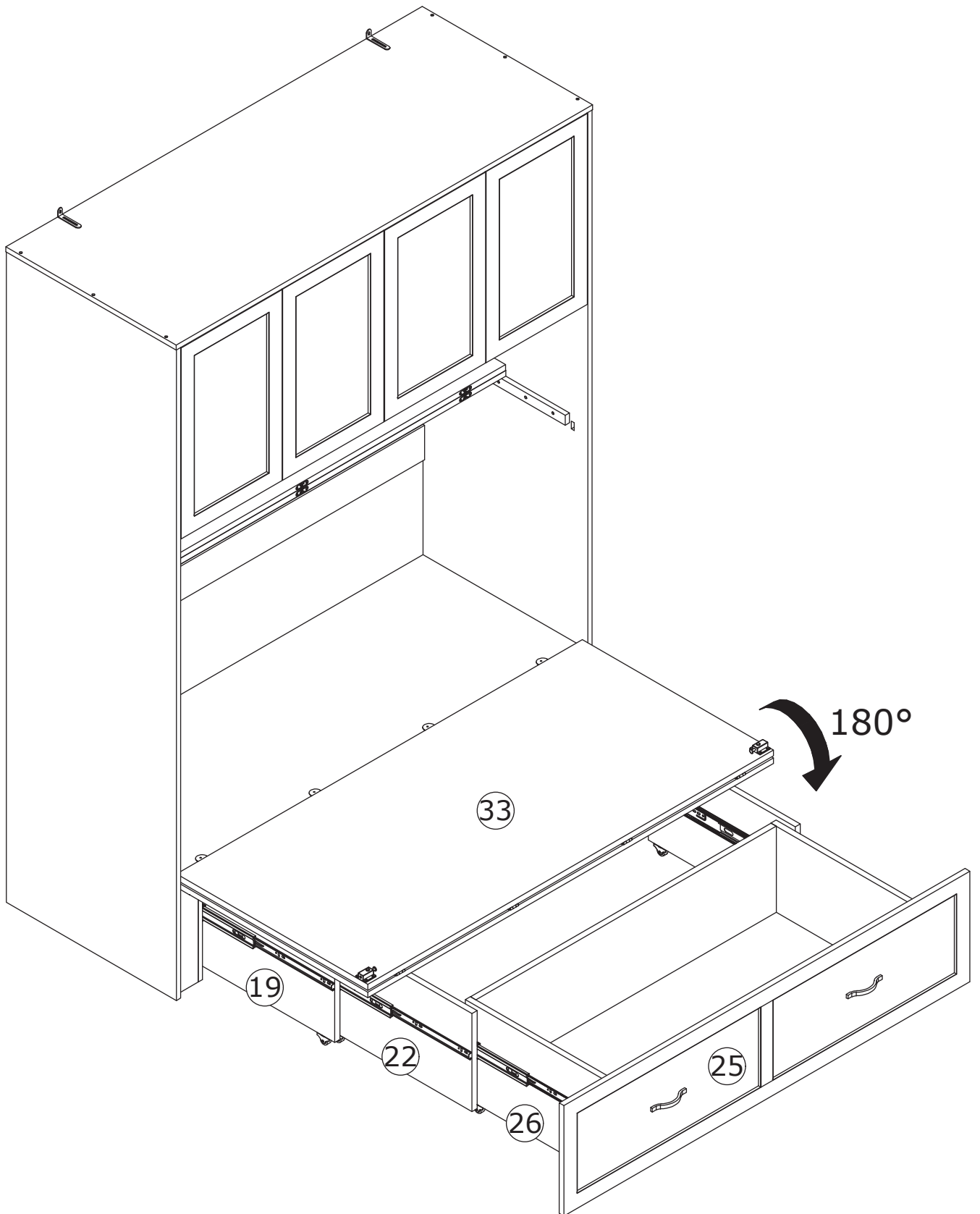




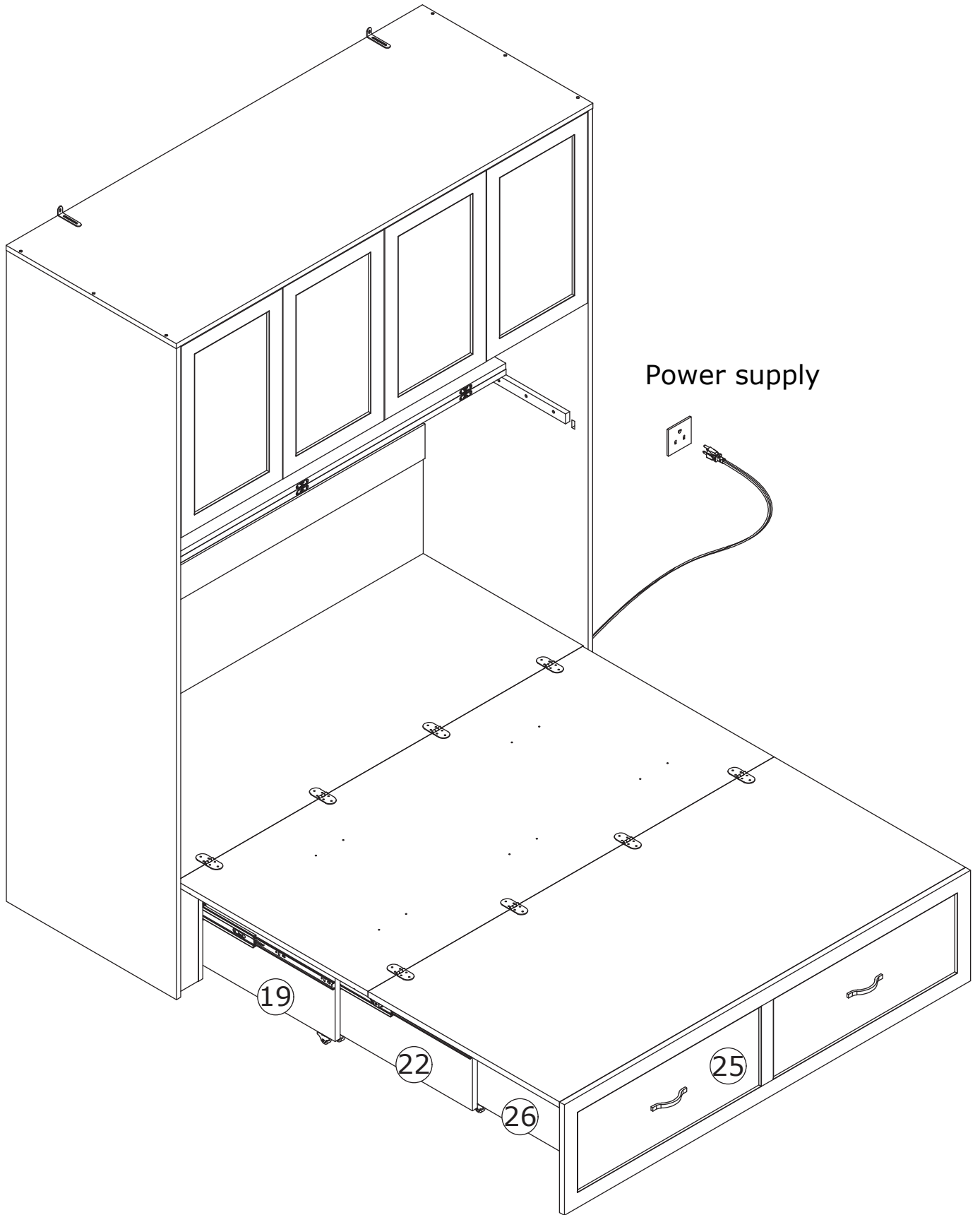
55



56



57



Power supply

19

22

26

25

WARRANTY

WARRANTY CLAIMS

- There is a 30-day warranty for broken furniture or any other problems that do not work properly. The warranty will start from the date of purchase which must be verified by proof of purchase.
- Before making a claim, we may be able to answer your query, simply call us. Please leave your purchase order number, along with some details of the problem, if you want a replacement part. We will arrange within 48 hours. If there is out of stock, we will reply with a shipping date.
- The product must be used in accordance with the instructions provided. For health reasons.
- For other reasons, if the furniture needs to be returned, it must be cleaned and dried and operated within 30 days of receipt.

Type of Warranty Claim

- Failure to follow the furniture instructions will invalidate the warranty. Attention please.
- Does not include damage during installation, but includes damage during transportation.

Scope of responsibility

- Shall not bear any responsibility for misuse or user damage and / or loss of parts during the installation of furniture.
- After using, the damage and scratches of the furniture are not covered by the warranty.

The Warranty Relates to All Bought in The Us and Covers The Following Areas

- Sheet parts: 1 month from the date of purchase.
- Electrical parts: 1 month from the date of purchase.

RETURNS

CHANGED YOUR MIND AND NEED TO RETURN YOU ITEM?

PLEASE FOLLOW THE BELOW INSTRUCTIONS:

- If you have purchased and have simply changed your mind, follow the retailer's instructions for returns.

DEFECTIVE ITEMS

- If your item is defective in any way, i.e. it doesn't work but you can't identify why, in the first instance, please call us.

DAMAGED ITEMS

- If you receive an order with obvious shipping damage from the retailer, then we suggest the delivery is refused. If the delivery has been accepted and then shipping damage is found, please follow the specific instructions advised by the retailer.
In all circumstances please save all packaging material and paperwork for the order. Please be aware that if you dispose of packaging material or attempt to return the merchandise without contacting the fulfiller, you jeopardise your chances of making a claim, and you may not receive a credit for the return.

AFTER-SALES CONTACT



adelahu@fufugaga.com



208-820-0068