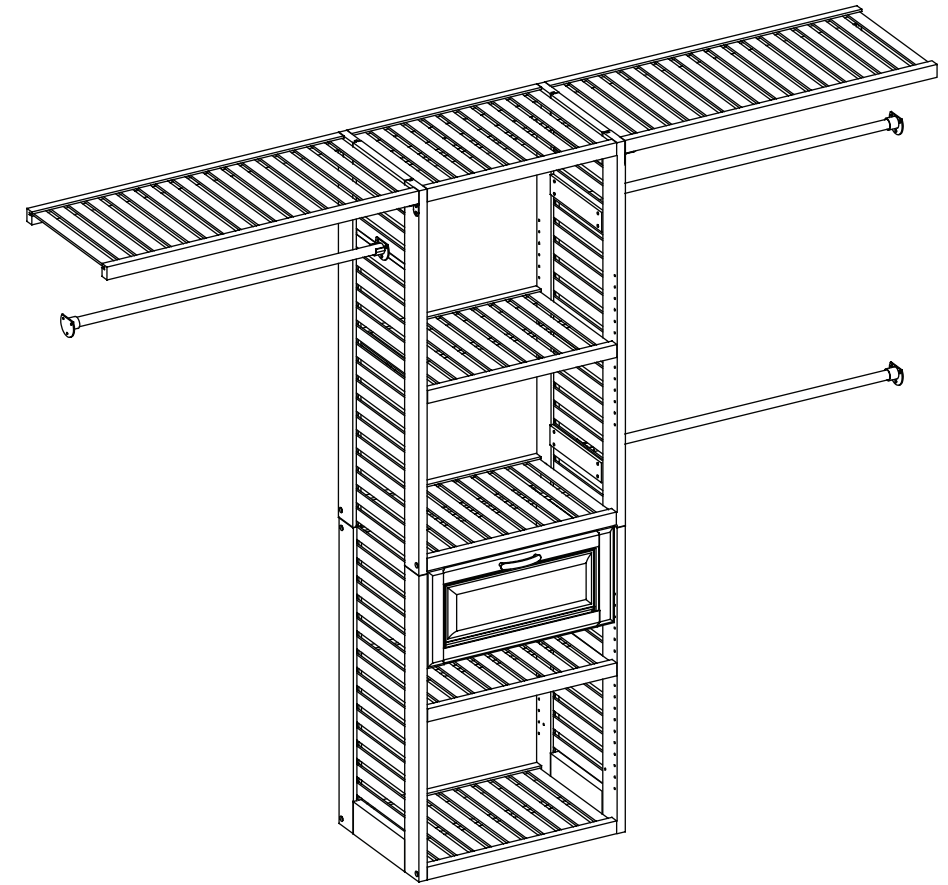


allen + roth®

welcoming • sophisticated • inspiring



! WARNING
UNIT MUST BE PERMANENTLY FASTENED TO THE WALL WITH PROVIDED HARDWARE;
THIS STORAGE UNIT IS NOT DESIGNED OR INTENDED FOR FREESTANDING USE.

allen + roth® is a registered trademark
of LF, LLC. All Rights Reserved.

ITEM #0811206, 0811207, 0811208, 2416442

VENTILATED CLOSET KIT

MODEL #WSLVCKJ, WSLVCKW
WSLVCKG, LWVKBW

Français p. 16

Español p. 31

ATTACH YOUR RECEIPT HERE

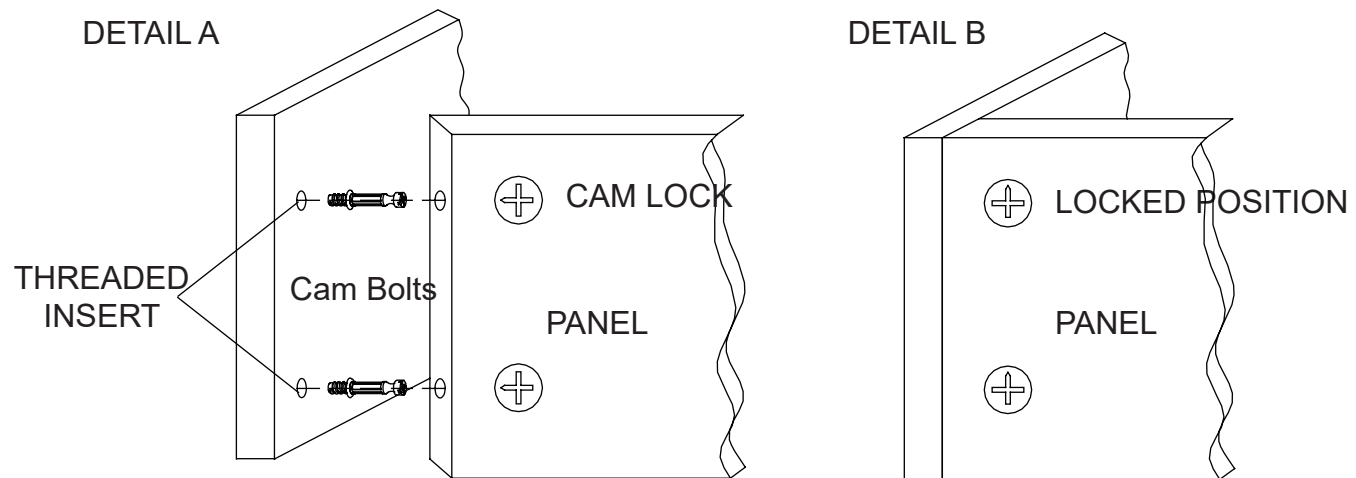
Serial Number _____ Purchase Date _____

Questions, problems, missing parts? Before returning to your retailer, call our customer service department at 1-866-439-9800, 8 a.m. - 8 p.m., EST, Monday - Friday.

TABLE OF CONTENTS

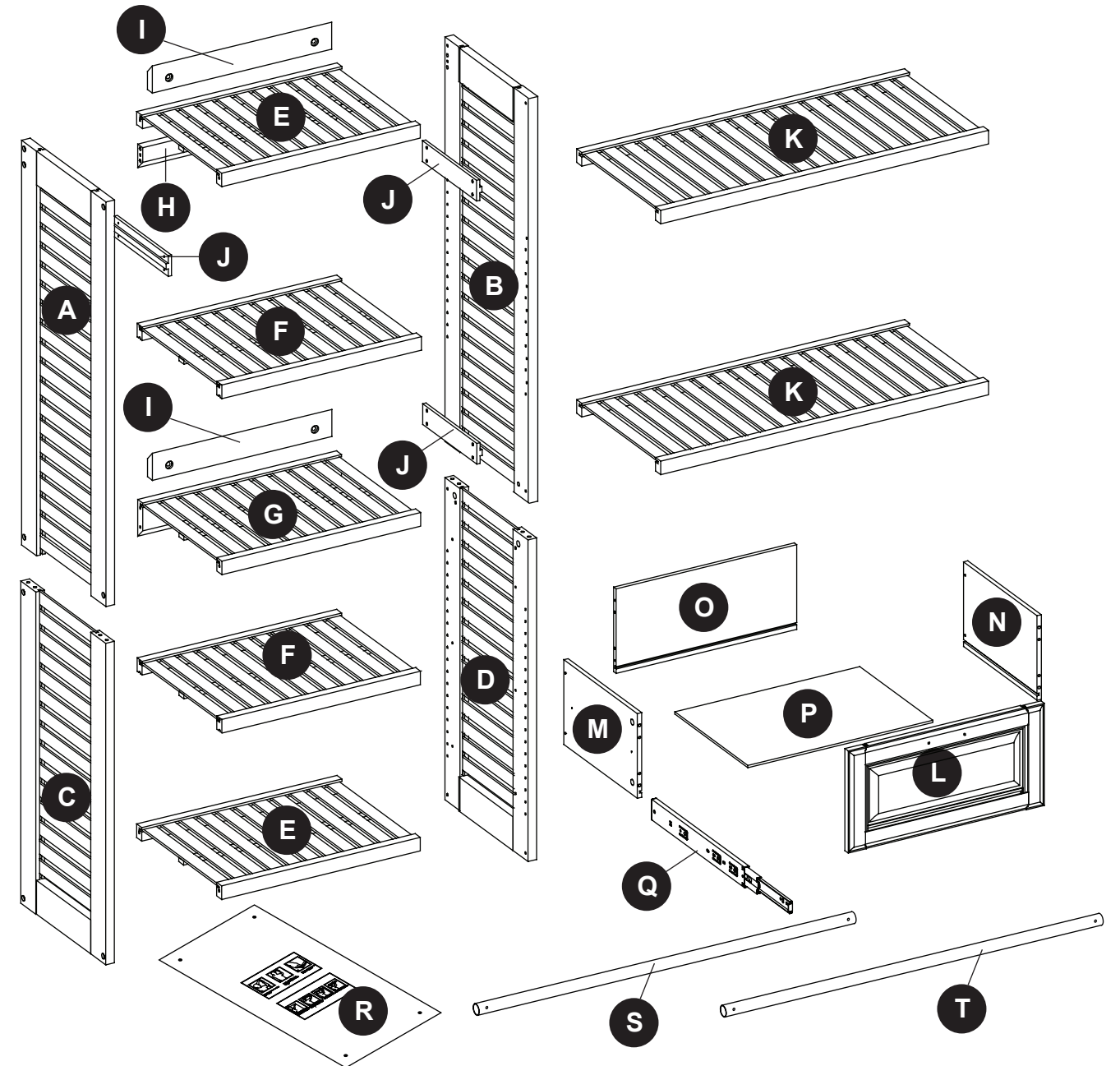
Cam Lock System Operation.....	2
Package Contents.....	3
Hardware Contents.....	4
Safety Information.....	5
Preparation	5
Assembly or Installation Instructions	6
Care and Maintenance	12
Troubleshooting.....	12
Warranty.....	13
Replacement Parts List	13

CAM LOCK SYSTEM OPERATION



1. Screw cam bolts into the predrilled small holes on panel.
2. Insert cam lock into predrilled large hole on panel.
3. Make sure the arrow on the cam lock is pointed toward the cam bolts.
4. Connect both panels together, making sure cam bolts goes into predrilled hole on the end of panel with cam lock.
5. Once cam bolts is connected inside cam lock, take Phillips screwdriver and tighten cam lock clockwise.

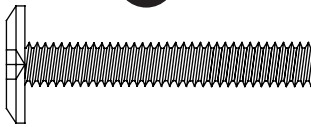
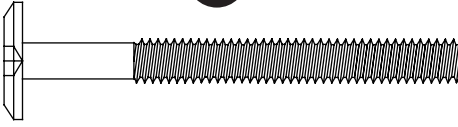
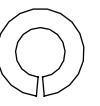
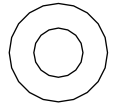

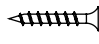
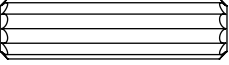

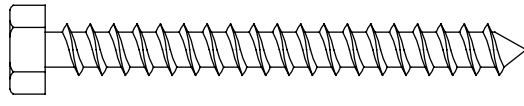
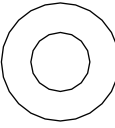
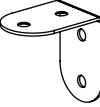


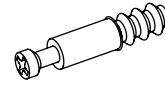
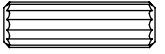

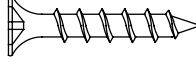
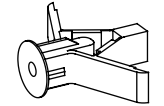
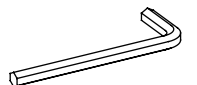

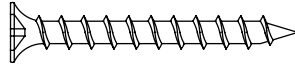
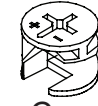
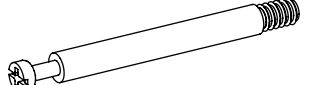
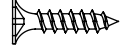
PACKAGE CONTENTS






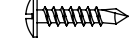
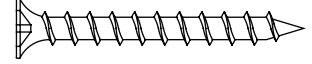
PART	DESCRIPTION	QUANTITY
A	Upper Left Side Panel	1
B	Upper Right Side Panel	1
C	Lower Left Side Panel	1
D	Lower Right Side Panel	1
E	Top/Bottom Fixed Shelf	2
F	Adjustable Shelf	2
G	Middle Fixed Shelf	1
H	Mounting Cleat	1
I	Wall Hanging Cleat	2
J	Wood Support	3

PART	DESCRIPTION	QUANTITY
K	Long Shelf	2
L	Drawer Front	1
M	Drawer Left Panel	1
N	Drawer Right Panel	1
O	Drawer Back Panel	1
P	Drawer Bottom Panel	1
Q	Slide	2
R	Installation Template	1
S	25 mm Metal Pole	3
T	22 mm Metal Pole	3

HARDWARE CONTENTS (shown actual size)

AA  M6 x 40 mm Bolt Qty. 14	BB  M6 x 60 mm Bolt Qty. 2	CC  Lock Washer Qty. 16	DD  Small Flat Washer Qty. 16	EE  Shelf Pin Qty. 8
FF  M3.5 x 12 mm Wood Screw Qty. 18	GG  Large Wood Dowel Qty. 8	HH  Barrel Nut (not shown to size) Qty. 6	II  M8x 2-1/2 in. Lag Bolt Qty. 4	JJ  Large Flat Washer Qty. 4
KK  L-Bracket (not shown to size) Qty. 8	LL  Handle (not shown to size) Qty. 1	MM  Small Cam Lock (not shown to size) Qty. 4	NN  Small Cam Bolt (not shown to size) Qty. 4	OO  Small Wood Dowel Qty. 8
PP  M6 x 10 mm Screw Qty. 4	QQ  M4 x 25 mm Screw Qty. 4	RR  Wall Anchor (not shown to size) Qty. 8	SS  Allen Wrench (not shown to size) Qty. 1	TT  Touch-up Pen (not shown to size) (not included for Item #0811207, 2416442) Qty. 1
UU  M4 x 38 mm Screw Qty. 8	VV  Large Cam Lock (not shown to size) Qty. 4	WW  Large Cam Bolt (not shown to size) Qty. 4	VA  M4 x 14 mm Wood Screw Qty. 24	

HARDWARE CONTENTS (for pole kit)

VB  M4 x 14 mm Zinc Wood Screw Qty. 9	YO  Open Pole Holder Qty. 3	YC  Closed Pole Holder Qty. 3	YY  M4 x 15 mm Self-tapping Screw Qty. 6	ZZ  M4 x 38 mm Zinc Screw Qty. 9
--	--	--	---	---

! SAFETY INFORMATION

Please read and understand this entire manual before attempting to assemble, operate or install the product.

- Do not allow children to climb or play in or around this product.
- Use this unit for its intended purpose only. Do not use shelves as step ladder.
- To avoid damage, assemble the product on a sturdy, level and protective surface.
- Two or more persons must work together to install the unit onto the wall.
- Make sure all bolts/screws are tightly fastened before the unit is used.
- Check bolts/screws periodically and tighten them if necessary.
- **Unit must be permanently fastened to the wall with provided hardware; this storage unit is not designed or intended for freestanding use.**

! WARNING
UNIT IS INTENDED FOR USE ONLY WITH MAXIMUM WEIGHTS INDICATED. OVERLOADING STORAGE UNIT WITH PRODUCTS HEAVIER THAN MAXIMUM WEIGHT MAY RESULT IN INJURY. DISTRIBUTE ANY WEIGHT IN UNITS EVENLY.

- Shelf maximum load: 30 lbs.
- Pole maximum load: 40 lbs.
- Pole maximum length: 60 in.

PREPARATION

Before beginning assembly of product, make sure all parts are present. Compare parts with package contents list and hardware contents list. If any part is missing or damaged, do not attempt to assemble the product.

Estimated Assembly Time: 120 minutes

Tools Required for Assembly (not included): Phillips Screwdriver, Power Drill, 3/16 in. Drill Bit, 3/8 in. Drill Bit, 1/2 in. Socket Wrench, Level, Stud Finder, Marking Pencil, Tape Measure, Step Ladder, and Hammer.

ASSEMBLY INSTRUCTIONS

1. Press the release lever on slides (Q) and remove slide runners.

Note: Save the slide runner for the drawer assembly (Step 11, page 9). The self closing slide (Q) will be installed in step 4 below.

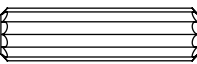



2. Insert large wood dowels (GG) into mounting cleats (H).

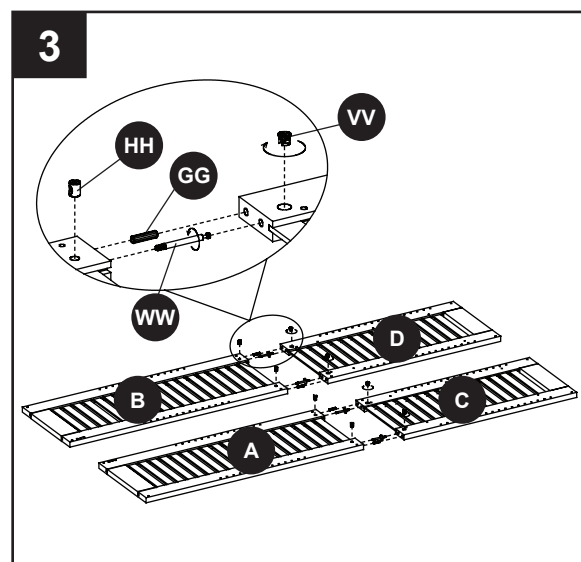
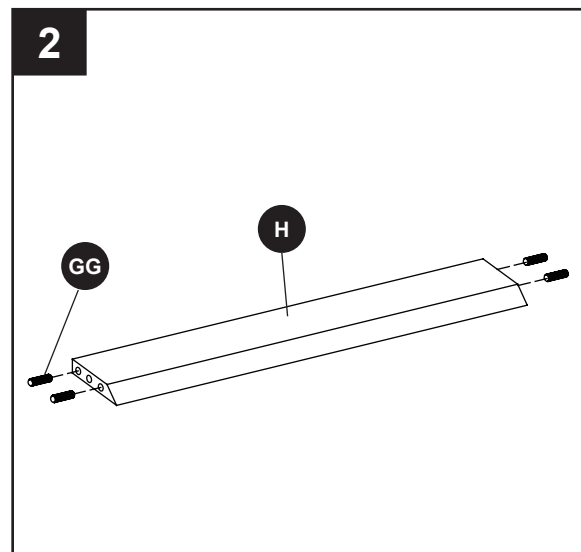
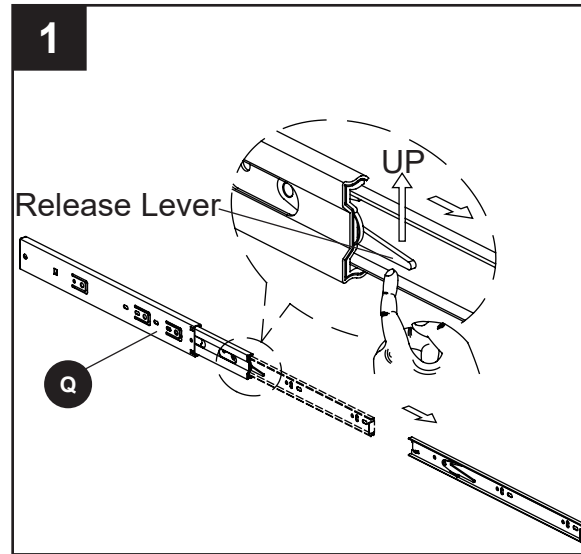
Hardware Used

GG Large Wood Dowel  x 4

3. Insert barrel nuts (HH), large wood dowels (GG) and large cam bolts (WW) into upper left side panel (A) and upper right side panel (B) as shown. Then, attach upper left side panel (A) and upper right side panel (B) to lower left side panel (C) and lower right side panel (D). Insert large cam locks (VV) into lower left side panel (C) and lower right side panel (D) to secure panel assembly.

Hardware Used

GG Large Wood Dowel  x 4
HH Barrel Nut  x 4
VV Large Cam Lock  x 4
WW Large Cam Bolt  x 4



ASSEMBLY INSTRUCTIONS







4. Attach slides (Q) to lower left side panel (C) and lower right side panel (D), securing with M6 x 10 mm screws (PP).

Hardware Used

PP M6 x 10 mm Screw  x 4







5. Insert barrel nut (HH) into mounting cleat (H). Secure mounting cleat (H), beveled edge down, to upper right side panel (B) and lower right side panel (D) where shown with lock washers (CC), small flat washers (DD) and M6 x 60 mm bolts (BB). Then, attach the middle fixed shelf (G) and top/bottom fixed shelf (E) to upper right side panel (B) and lower right side panel (D) with lock washers (CC), small flat washers (DD) and M6 x 40 mm bolts (AA). Tighten all connections with allen wrench (SS).

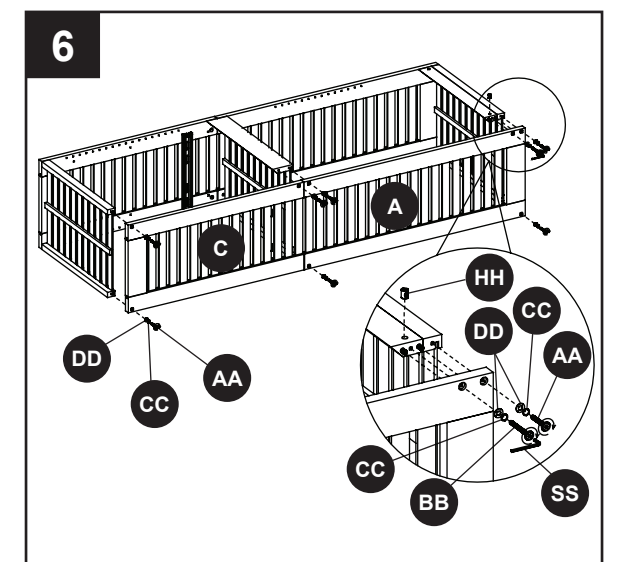
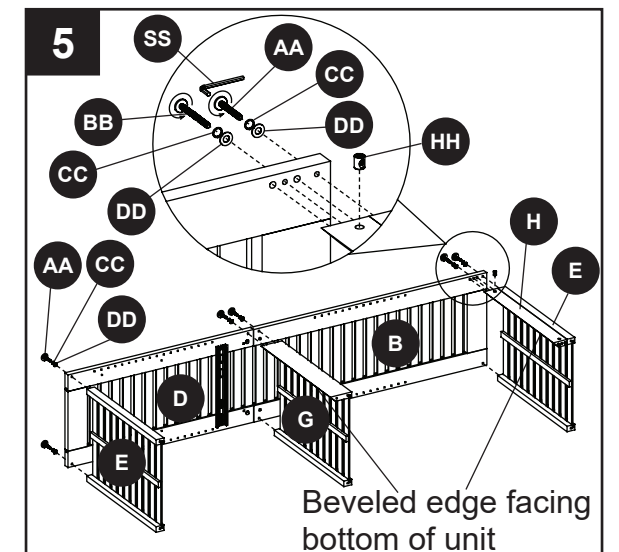
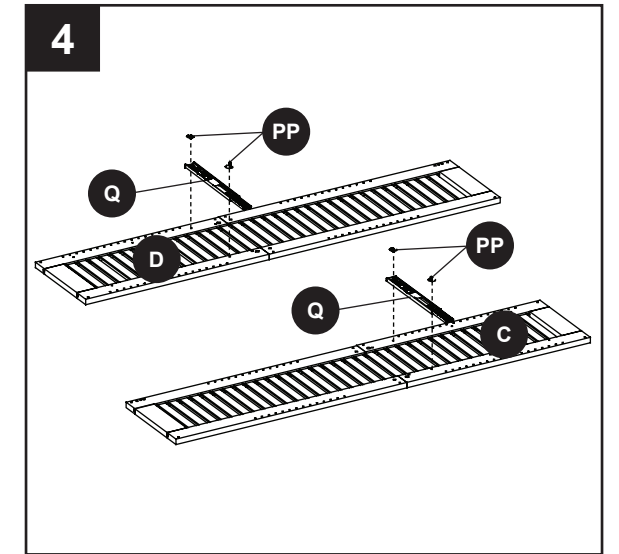
Hardware Used

AA M6 x 40 mm Bolt  x 7
BB M6 x 60 mm Bolt  x 1
CC Lock Washer  x 8
DD Small Flat Washer  x 8
HH Barrel Nut  x 1
SS Allen Wrench  x 1

6. Repeat step 5 for upper left side panel (A) and lower left side panel (C).

Hardware Used

AA M6 x 40 mm Bolt  x 7
BB M6 x 60 mm Bolt  x 1
CC Lock Washer  x 8
DD Small Flat Washer  x 8
HH Barrel Nut  x 1
SS Allen Wrench  x 1



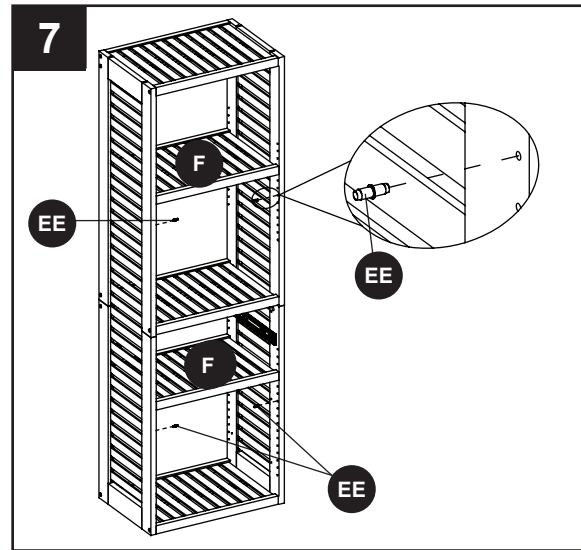
ASSEMBLY INSTRUCTIONS

7. Set assembly upright. Insert shelf pins (EE) level where desired in tower, then rest adjustable shelves (F) on top.

Note: Ensure the shelf pins (EE) are level.

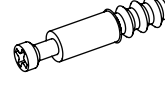

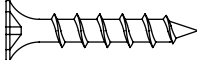
Hardware Used

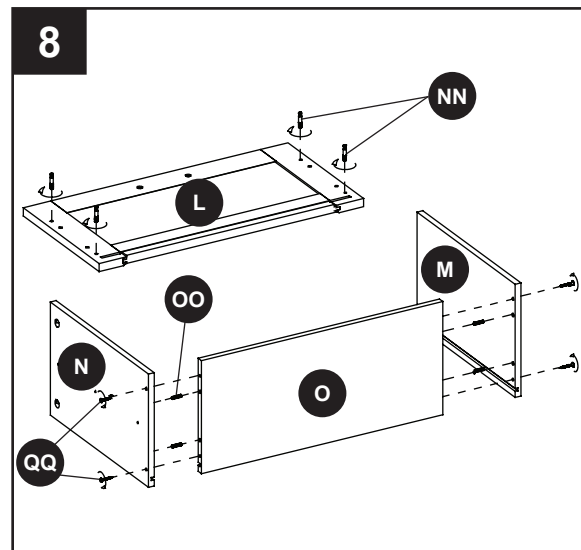
EE Shelf Pin  x 8



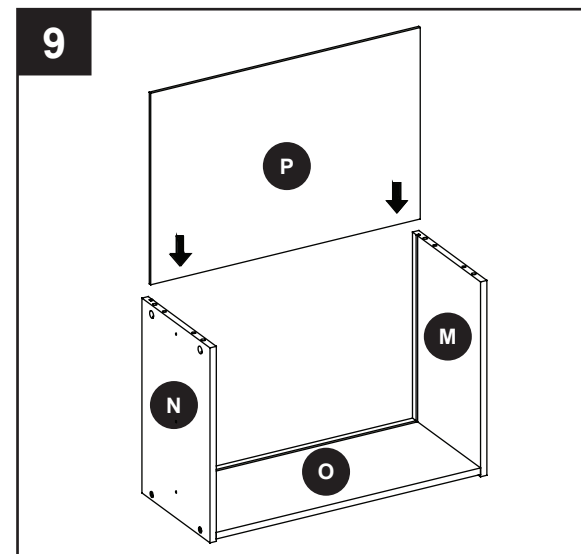
8. Install small cam bolts (NN) into drawer front (L). Set aside. Install small wood dowels (OO) into drawer back panel (O), then attach drawer left panel (M) and drawer right panel (N) to drawer back panel (O) with M4 x 25 mm screws (QQ).

Hardware Used

NN Small Cam Bolt  x 4
OO Small Wood Dowel  x 4
QQ M4 x 25 mm Screw  x 4




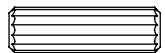
9. Insert drawer bottom panel (P) into drawer left panel (M), drawer right panel (N) and drawer back panel (O).

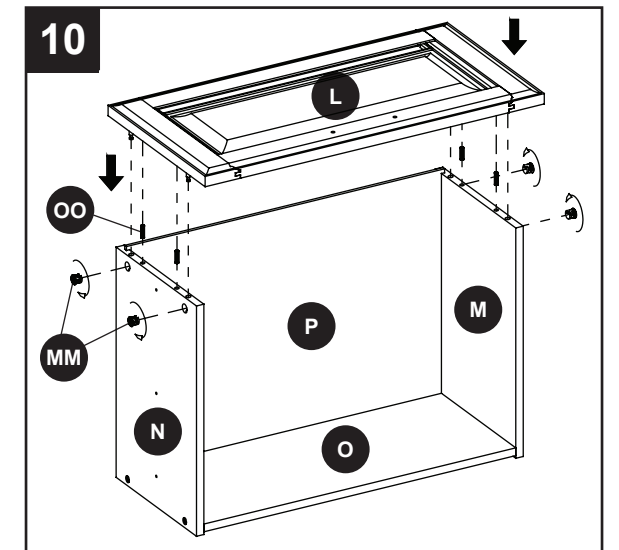


ASSEMBLY INSTRUCTIONS

10. Insert small wood dowels (OO) into drawer left panel (M) and drawer right panel (N). Attach drawer front (L), securing with small cam locks (MM).

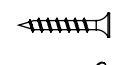

Hardware Used

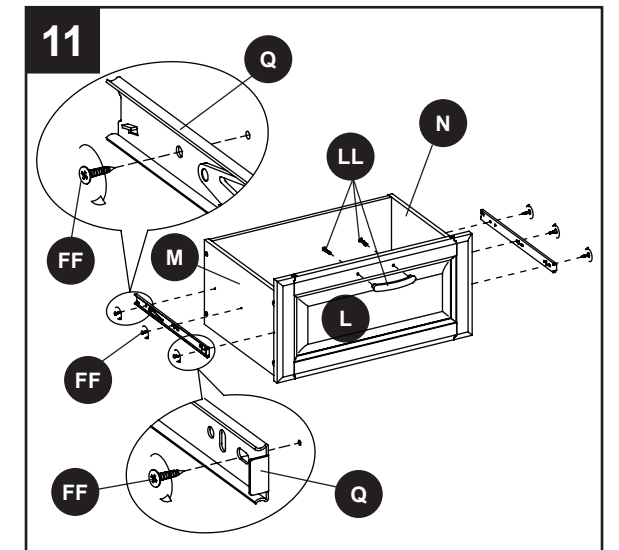
MM Small Cam Lock  x 4
OO Small Wood Dowel  x 4



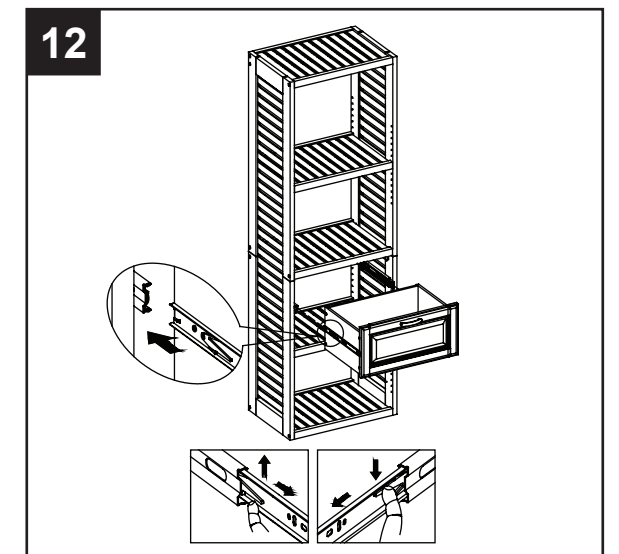
11. Attach the previously removed slide runners to drawer left panel (M) and drawer right panel (N) with M3.5 x 12 mm wood screws (FF). Then, remove preassembled bolt from handle (LL). Insert drawer handle (LL) into drawer front (L), securing with previously removed bolt.

Hardware Used

FF M3.5 x 12 mm Wood Screw  x 6
LL Handle  x 1



12. Insert the drawer into the assembly by pressing down the release levers on the slide runners and sliding the drawer into the tracks of self closing slides (Q).



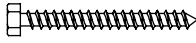

ASSEMBLY INSTRUCTIONS

13. Using a stud finder (not included), locate the edges of the wood studs. Find the center line of each stud and draw a vertical reference line on the wall over each one. Position installation template (R) at desired location on wall.

Note: The bottom of the installation template (R) should be no less than 31-1/2 in. from the floor.

Mark mounting holes with a pencil (not included) and discard installation template (R). Drill 3/16 in. pilot holes at marked locations. Then, with the beveled edge facing up, attach the wall hanging cleats (I) with large flat washers (JJ) and M8 x 2-1/2 in. lag bolts (II).

Hardware Used

- II** M8 x 2-1/2 in. Lag Bolt  x 4
- JJ** Large Flat Washer  x 4


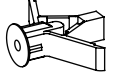
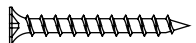
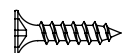
14. With the help from another person, carefully hang the unit from mounting cleats (H) & middle fixed Shelf (G) onto wall hanging cleats (I).

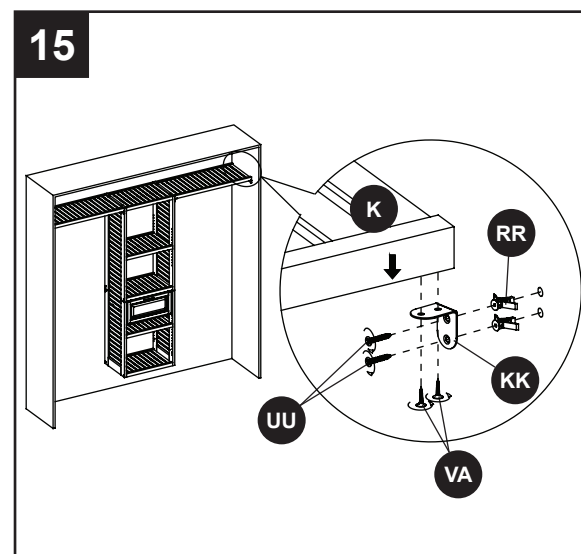
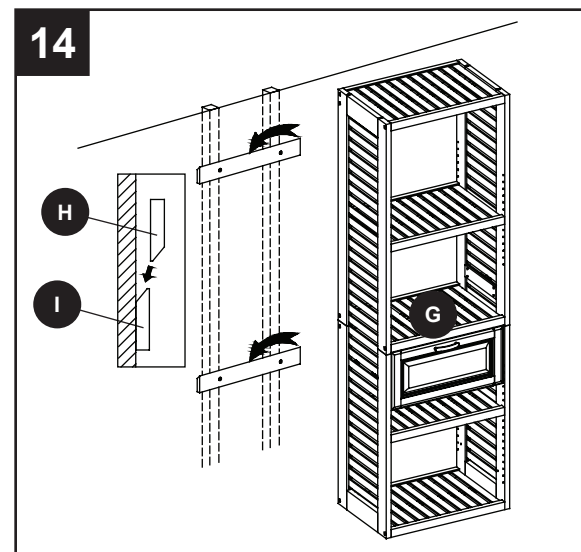
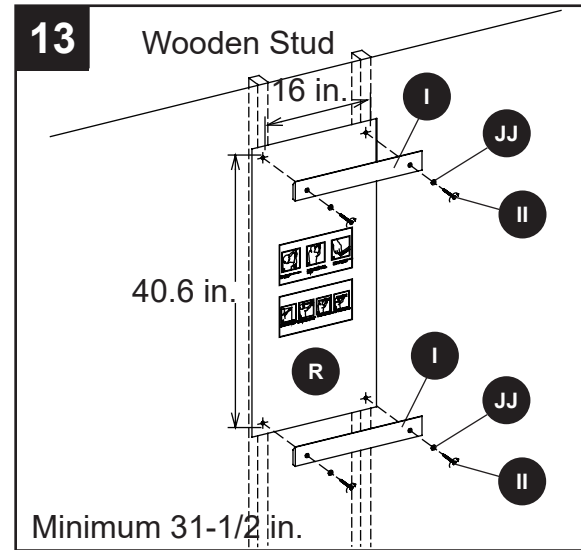
Long Shelf Installation

Note: If long shelf (K) needs cut to fit inside your closet space, cut only one side of the shelf and do not use a hacksaw. It is recommended you hire an insured remodeler for this type of installation.

15. With a pencil, draw a level line at the desired mounting location for long shelf (K). Using L-brackets (KK) as a guide, mark the screw hole locations with a pencil. Drill 3/8 in. diameter pilot holes at least 2-1/2 in. deep at marked locations, then insert wall anchors (RR) into the holes until they are flush with the wall. Attach L-brackets (KK) to the wall using M4 x 38 mm screws (UU) and to the long shelf (K) using M4 x 14 mm wood screws (VA).

Hardware Used



- KK** L-Bracket  x 4
- RR** Wall Anchor  x 8
- UU** M4 x 38 mm Screw  x 8
- VA** M4 x 14 mm Wood Screw  x 8



ASSEMBLY INSTRUCTIONS

16. Attach long shelves (K) to left side panel (A) and right side panel (B) with L-brackets (KK), securing with M4 x 14 mm wood screws (VA).

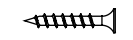
Hardware Used

- KK** L-Bracket  x 4
- VA** M4 x 14 mm Wood Screw  x 16

17. If you intend to install the Expandable Pole, attach wood supports (J) on the inside of upper left side panel (A) and/ or upper right side panel (B) using wood screws (FF).

Note: The expandable pole should be installed to the middle of wood support (J).

Hardware Used


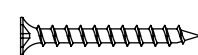
- FF** M3.5 x 12 mm Wood Screw  x 12

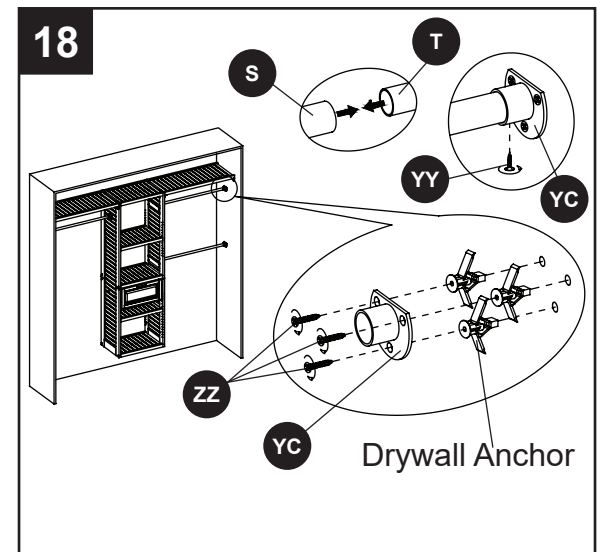
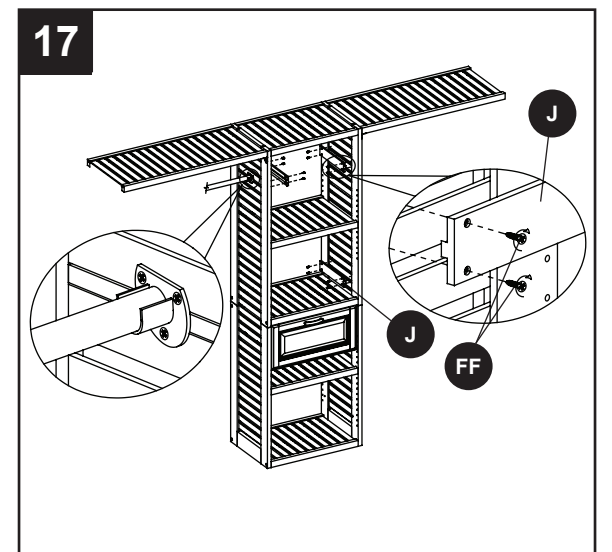
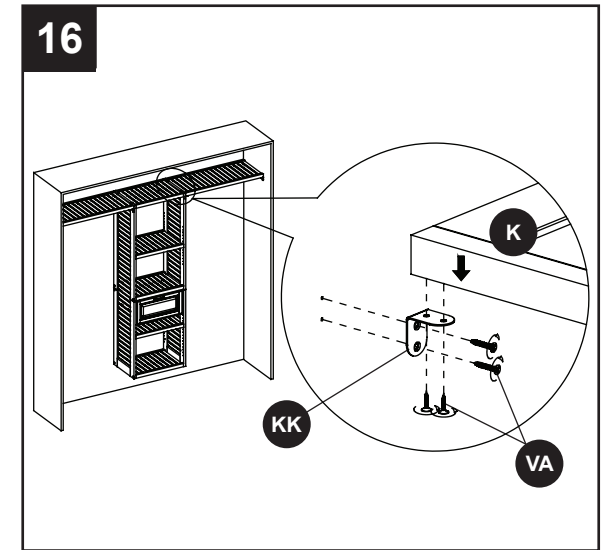
Pole Installation

18. Insert 22 mm metal poles (T) into 25 mm metal poles (S). Using closed pole holders (YC) as a guide, mark screw hole locations with a pencil. Drill 3/8 in. diameter pilot holes at least 2-1/2 in. deep at marked locations, then insert drywall anchors (not included) into the holes. Attach closed pole holders (YC) with M4 x 38 mm zinc screws (ZZ). Insert 25 mm metal poles (S) into closed pole holders (YC), securing with M4 x 15 mm self-tapping screws (YY).

Note: Drywall anchors are not required if installing into a stud.

Hardware Used

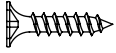
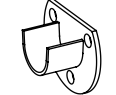

- YC** Closed Pole Holder  x 3
- YY** M4 x 15 mm Self-tapping Screw  x 3
- ZZ** M4 x 38 mm Zinc Screw  x 9

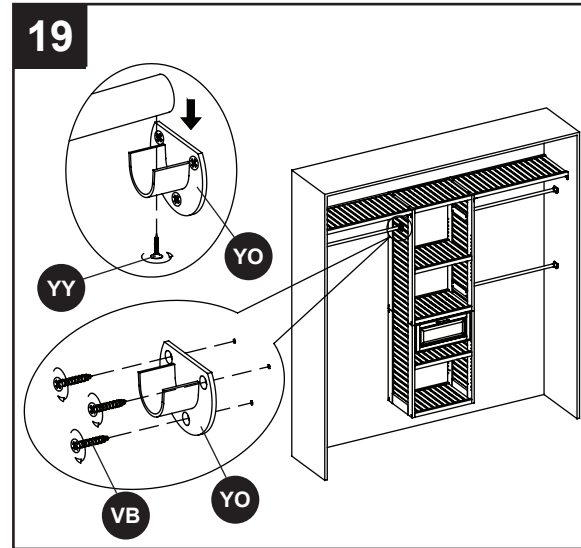


ASSEMBLY INSTRUCTIONS

19. Attach open pole holders (YO) to upper left side panel (A) and upper right side panel (B), with M4 x 14 mm zinc wood screws (VB). Insert 22 mm metal poles (Q) into open pole holders (YO), securing with M4 x 15 mm self-tapping screws (YY).

Hardware Used

VB	M4 x 14 mm Zinc Wood Screw		x 9
YO	Open Pole Holder		x 3
YY	M4 x 15 mm Self-tapping Screw		x 3



CARE AND MAINTENANCE

- Periodically check to make certain all components are properly positioned, free from damage and firmly connected.
- Use a soft, clean cloth that will not scratch the surface when dusting.
- Never use water to clean the furniture as it may cause damage to the finish.
- Wipe clean using a damp cloth and a mild cleaner. Wipe dry with a clean cloth.
- In the event that the furniture is stained or otherwise damaged during use, it is recommended you call a professional to repair the furniture.
- Keep furniture away from direct sunlight as it may damage the finish.
- It is best to keep the furniture in a climate-controlled environment. Extreme temperature and humidity changes can cause fading, warping, shrinking and splitting of wood.
- Touch-up pen (TT) has been provided (except in Item #0811207, 2416442) to repair any small nicks or scratches that may occur during assembly or shipping.

TROUBLESHOOTING

PROBLEM	POSSIBLE CAUSE	CORRECTIVE ACTION
One end of long shelf (K) is floating.	The closet space is larger than 8 ft.	1. Buy corresponding shelf bracket and wall bracket (sold separately). 2. Replace long shelf (K) with a longer shelf of a similar finish and style.
Long shelf (K) can not be installed inside the closet.	The closet space is smaller than 8 ft.	1. Shorten one side of the long shelf (K). Hire an insured remodeler for installation. 2. Replace long shelf (K) with a shorter shelf of a similar finish and style.
The shelf is tilting.	The wall brackets and shelf brackets are not installed at the same level.	Use a quality level to ensure the brackets are leveled with each other.
Drawer slide runner can not slide into slide tracks.	Slide runners reversed.	Reinstall the slide runner and ensure the opening of slide runner is pointing backward.

TROUBLESHOOTING

PROBLEM	POSSIBLE CAUSE	CORRECTIVE ACTION
Drawer slides do not go smoothly.	The slide runners do not align with the slide tracks properly.	Take out and repeat drawer installation.
Drawer gaps are not even.	Slide runners are not level with each other.	Use the pilot holes on the tower as a guide to level the slide runners.
One end of metal pole does not rest properly onto the open pole holder (YO).	The opening of open pole holder does not face upward vertically.	Use a quality level to ensure the flat edge of the open pole holder is level while installing.
The pole kit is tilting.	The open and closed pole holders are not installed at the same level.	Use a quality level to ensure the pole holders are level with each other.
Screw went through side panel.	Used M4 x 38 mm wood screws for attaching pole holder onto the side of cabinet.	Use M4 x 14 mm wood screws.
Ventilated closet tower tilted.	The wall hanging cleats are not level.	Reinstall the wall hanging cleats and ensure they are level.
Ventilated closet tower can not hang on the wall.	The mounting hole locations are not correct.	Reinstall wall hanging cleats; make sure the space between two wall hanging cleats is 40.6 in. and the bottom two mounting holes location is no less than 31-1/2 in. from the floor.

WARRANTY

This product (exclusive of shelves) is warranted to the original purchaser. If there is a failure in this unit due to defects in materials or workmanship, the manufacturer will repair or replace this item at our discretion without charge. Warranty is void if product has been assembled incorrectly, misused, abused by overloading, altered in any way or damaged due to accident. This warranty is not transferable and does not cover chipping, flaking, scratches, rust, dents, or other damages to the surfaces of this product. Responsibility of the manufacturer is limited to repair or replacement of this product. The manufacturer is not responsible for consequential, incidental, or other damages or losses resulting from product failure.

This warranty is in lieu of all other expressed warranties. Some states do not allow the exclusion or limitation of incidental or consequential damages, so the above limitation may not apply to you. This warranty gives you specific legal rights and you may have other rights which vary from state to state.

REPLACEMENT PARTS LIST

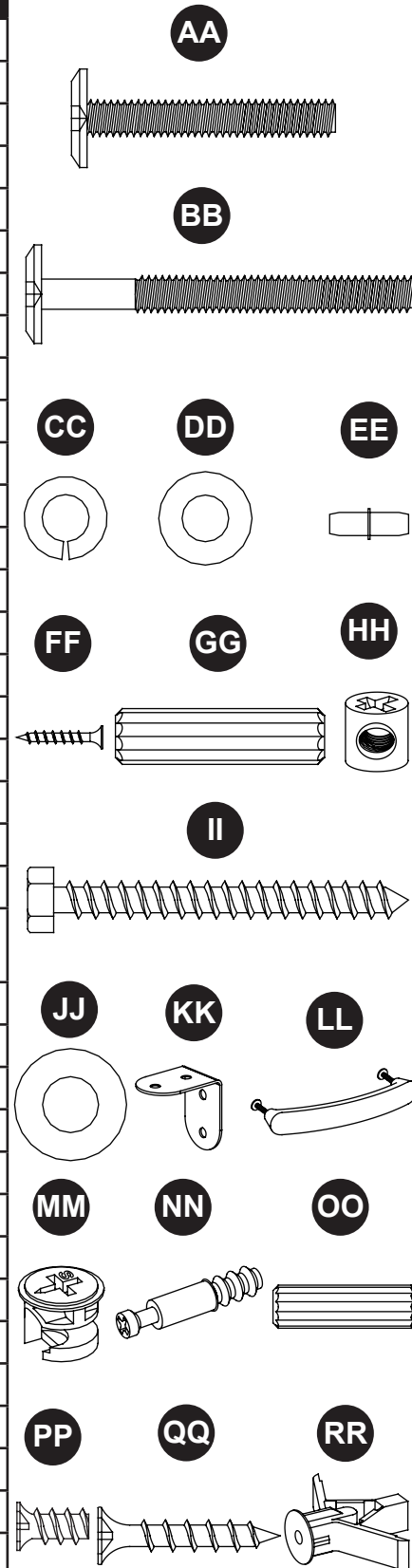
For replacement parts, call our customer service department at 1-866-439-9800, 8 a.m. - 8 p.m., EST, Monday - Friday.

PART	DESCRIPTION	PART #
A	Upper Left Side Panel	*WSLVCKJ/W/G-1-ULSP
B	Upper Right Side Panel	*WSLVCKJ/W/G-2-URSP
C	Lower Left Side Panel	*WSLVCKJ/W/G-3-LLSP
D	Lower Right Side Panel	*WSLVCKJ/W/G-4-LRSP

REPLACEMENT PARTS LIST

For replacement parts, call our customer service department at 1-866-439-9800, 8 a.m. - 8 p.m., EST, Monday - Friday.

PART	DESCRIPTION	PART #
E	Top/Bottom Fixed Shelf	*WSLVCKJ/W/G/LWVKBW/LWVKBW-5-T/BFS
F	Adjustable Shelf	*WSLVCKJ/W/G/LWVKBW/LWVKBW-6-AS
G	Middle Fixed Shelf	*WSLVCKJ/W/G/LWVKBW-7-MFS
H	Mounting Cleat	*WSLVCKJ/W/G/LWVKBW-8-MC
I	Wall Hanging Cleat	*WSLVCKJ/W/G/LWVKBW-9-WHC
J	Wood Support	*WSLVCKJ/W/G/LWVKBW-10-WS
K	Long Shelf	*WSLVCKJ/W/G/LWVKBW-11-LS
L	Drawer Front	*WSLVCKJ/W/G/LWVKBW-12-DF
M	Drawer Left Panel	*WSLVCKJ/W/G/LWVKBW-13-DLP
N	Drawer Right Panel	*WSLVCKJ/W/G/LWVKBW-14-DRP
O	Drawer Back Panel	*WSLVCKJ/W/G/LWVKBW-15-DBP
P	Drawer Bottom Panel	*WSLVCKJ/W/G/LWVKBW-16-DBP
Q	Slide	*WSLVCKJ/W/G/LWVKBW-17-S
R	Installation Template	*WSLVCKJ/W/G/LWVKBW-18-IT
S	25 mm Metal Pole	*WSLVCKJ/W/G/LWVKBW-19-25MP
T	22 mm Metal Pole	*WSLVCKJ/W/G/LWVKBW-20-22MP
AA	M6 x 40 mm Bolt	*WSLVCKJ/W/G/LWVKBW-21-MB
BB	M6 x 60 mm Bolt	*WSLVCKJ/W/G/LWVKBW-22-MB
CC	Lock Washer	*WSLVCKJ/W/G/LWVKBW-23-LW
DD	Small Flat Washer	*WSLVCKJ/W/G/LWVKBW-24-SFW
EE	Shelf Pin	*WSLVCKJ/W/G/LWVKBW-25-SP
FF	M3.5 x 12 mm Wood Screw	*WSLVCKJ/W/G/LWVKBW-26-MWS
GG	Large Wood Dowel	*WSLVCKJ/W/G/LWVKBW-27-LWD
HH	Barrel Nut	*WSLVCKJ/W/G/LWVKBW-28-BN
II	M8 x 2-1/2 in. Lag Bolt	*WSLVCKJ/W/G/LWVKBW-29-MLB
JJ	Large Flat Washer	*WSLVCKJ/W/G/LWVKBW-30-LFW
KK	L-Bracket	*WSLVCKJ/W/G/LWVKBW-31-LB
LL	Handle	*WSLVCKJ/W/G/LWVKBW-32-H
MM	Small Cam Lock	*WSLVCKJ/W/G/LWVKBW-33-SCL
NN	Small Cam Bolt	*WSLVCKJ/W/G/LWVKBW-34-SCB
OO	Small Wood Dowel	*WSLVCKJ/W/G/LWVKBW-35-SWD
PP	M6 x 10 mm Screw	*WSLVCKJ/W/G/LWVKBW-36-MS
QQ	M4 x 25 mm Screw	*WSLVCKJ/W/G/LWVKBW-37-MS
RR	Wall Anchor	*WSLVCKJ/W/G/LWVKBW-38-WA
SS	Allen Wrench	*WSLVCKJ/W/G/LWVKBW-39-AW
TT	Touch-up Pen	*WSLVCKJ/W/G/LWVKBW-40-TP
UU	M4 x 38 mm Screw	*WSLVCKJ/W/G/LWVKBW-41-MS



REPLACEMENT PARTS LIST

For replacement parts, call our customer service department at 1-866-439-9800, 8 a.m. - 8 p.m., EST, Monday - Friday.

PART	DESCRIPTION	PART #
VV	Large Cam Lock	*WSLVCKJ/W/G-42-LCL
WW	Large Cam Bolt	*WSLVCKJ/W/G-43-LCB
VA	M4 x 14 mm Wood Screw	*WSLVCKJ/W/G-44-MWS
VB	M4 x 14 mm Zinc Wood Screw	*WSLVCKJ/W/G-45-MZWS
YO	Open Pole Holder	*WSLVCKJ/W/G-46-OPH
YC	Closed Pole Holder	*WSLVCKJ/W/G-47-CPH
YY	M4 x 15 mm Self-tapping Screw	*WSLVCKJ/W/G-48-MSS
ZZ	M4 x 38 mm Zinc Screw	*WSLVCKJ/W/G-49-MZS
	Complete Hardware	*WSLVCKJ/W/G-50-CH

